

one dollar

ham radio

magazine

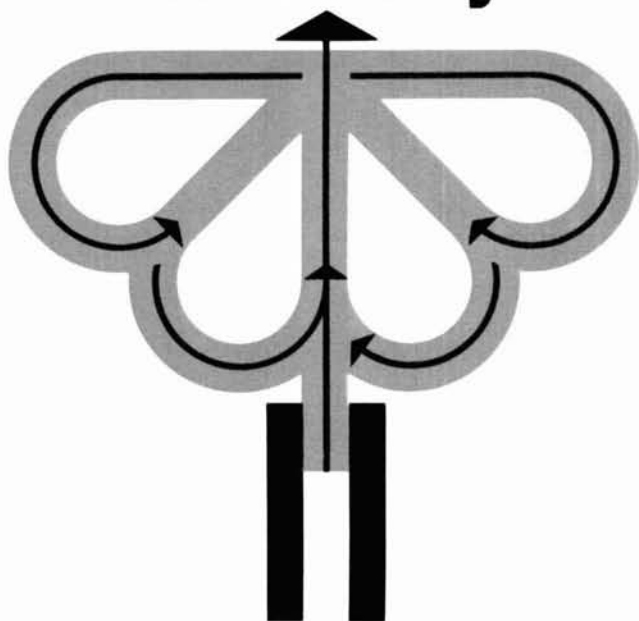
hr 

APRIL 1976

- solid-state communications receivers 18
- designing circuits with op amps 26
- medium-frequency loop antennas 30
- ssb transceiver 48
- L, C, R bridge 54
- and much more...



**programmable
contest keyer**



Now...more than ever--- the TEMPO line means solid value

Tempo VHF/ONE

the "ONE" you've been waiting for

No need to wait any longer — this is it! Whether you are already on 2-meter and want something better or you're just thinking of getting into it, the VHF/ONE is the way to go.

- Full 2-meter band coverage (144 to 148 MHz for transmit and receive).
- Full phase lock synthesized (PLL) so no channel crystals are required.
- Compact and lightweight — 9.5" long x 7" wide x 2.25" high. Weight — About 4.5 lbs.
- Provisions for an accessory SSB adaptor.
- 5-digit LED receive frequency display.
- 5 KHz frequency selection for FM operation.
- Automatic repeater split — selectable up or down for normal or reverse operation.
- Microphone, power cord and mounting bracket included.
- Two built-in programmable channels.
- All solid state.
- 10 watts output.
- Super selectivity with a crystal filter at the first IF and E type ceramic filter at the second IF.
- 800 Selectable receive frequencies.
- Accessory 9-pin socket.

TEMPO SSB/ONE

SSB adapter for the Tempo VHF/One

- Selectable upper or lower sideband.
- Plugs directly into the VHF/One with no modification.
- Noise blanker built-in.
- RIT and VXO for full frequency coverage.



TEMPO /smh

So much for so little! 2 watt VHF/FM hand held 6 Channel capability, solid state, 12 VDC, 144-148 MHz (any two MHz), includes 2 pair of crystals, built-in charging terminals for nicad cells, S-meter, battery level meter, telescoping whip antenna, internal speaker & microphone.

\$199.00



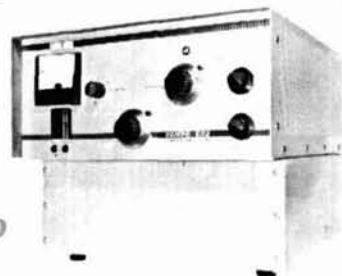
FAM-MC for Marine & Commercial service also available.



TEMPO/CL146A

...a VHF/FM mobile transceiver for the 2 meter amateur band. It is compact, ruggedly built and completely solid state. One channel supplied plus two channels of your choice FREE

144 to 148 MHz coverage • Multifrequency spread of 2 MHz • 12 channel possible • Metering of output and receive • Internal speaker, dynamic microphone, mounting bracket and power cord supplied. A Tempo "best buy" at \$239.00.



TEMPO 6N2

The Tempo 6N2 meets the demand for a high power six meter and two meter power amplifier. Using a pair of Eimac 8874 tubes it provides 2000 watts PEP input on SSB and 1000 watts input on CW and FM. Completely self-contained in one small desk mount cabinet with internal solid state power supply, built-in blower and RF relative power indicator.

\$795.00

The Tempo 2002.. 2 meters only \$695.00
The Tempo 2006.. 6 meters only \$695.00



TEMPO CL220

As new as tomorrow! The superb CL-220 embodies the same general specifications as the CL-146A, but operates in the frequency range of 220-225 MHz (any two MHz without retuning). At \$299.00 it is undoubtedly the best value available today.

TEMPO 100AL10

SOLID STATE VHF LINEAR AMPLIFIER. 144-148 MHz. Power output of 100 watts (nom) with only 10 watts (nom) in. Reliable and compact.



TEMPO VHF/UHF AMPLIFIERS

Solid state power amplifiers for use in most land mobile applications. Increase the range, clarity, reliability and speed of two-way communications.

VHF (135 to 175 MHz)				UHF (400 to 512 MHz)			
Drive Power	Output	Model No.	Price	Drive Power	Output	Model No.	Price
2W	130W	130A02	\$199	2W	70W	70D02	\$270
10W	130W	130A10	\$179	10W	70W	70D10	\$250
30W	130W	130A30	\$189	30W	70W	70D30	\$210
2W	80W	80A02	\$169	2W	40W	40D02	\$180
10W	80W	80A10	\$149	10W	40W	40D10	\$145
30W	80W	80A30	\$159	2W	10W	10D02	\$125

FCC Type accepted models also available.

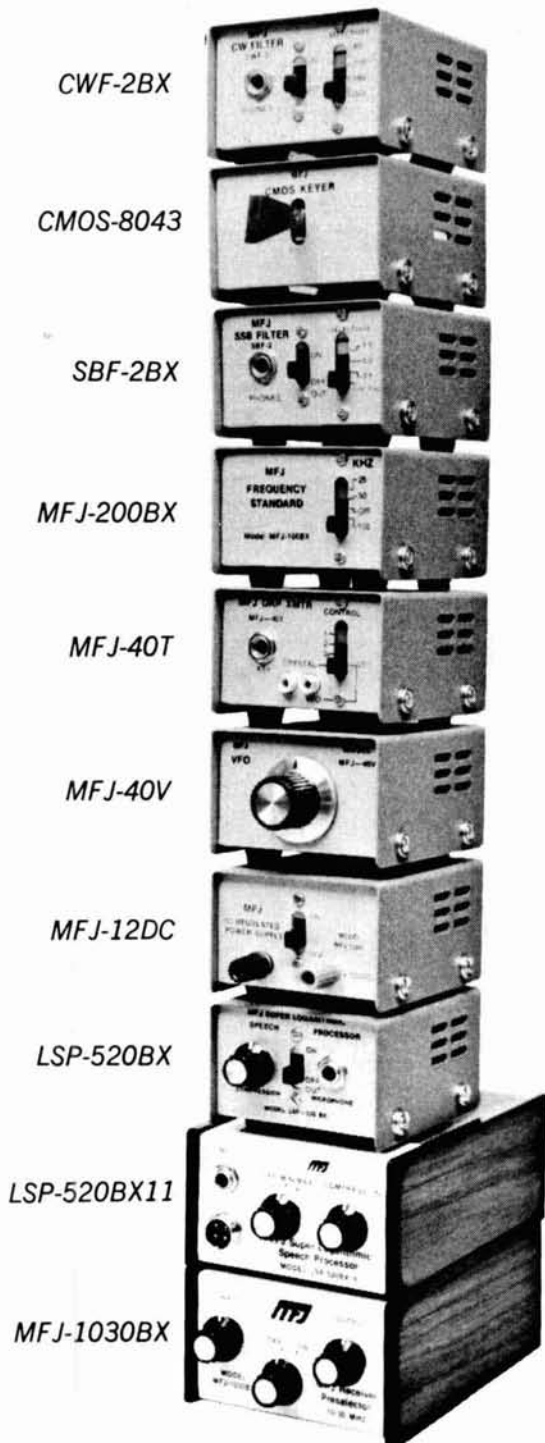
Most of the above products are available at dealers throughout the U.S.

Henry Radio

11240 W. Olympic Blvd., Los Angeles, Calif. 90064 213/477-6701
931 N. Euclid, Anaheim, Calif. 92801 714/772-9200
Butler, Missouri 64730 816/679-3127

Prices subject to change without notice

Stacked in YOUR favor*



YOUR COMPLETE SATISFACTION is our goal! And here is the offer that proves it! Order any MFJ Product and try it. If you're not completely satisfied, you may return it within 30 days for a full prompt refund (less shipping).

CW FILTER — Over 5000 now in use. 80 Hz bandwidth and steep sided skirts separate even the weakest signal from the QRM. Works with any receiver or transceiver. CWF-2BX, assembled and tested **\$27.95**

CMOS KEYS — State of the art design uses Curtis 8043 Keyer on a chip. Dot memory. Self completing dots and dashes. 8 to 50 wpm. Sidetone and speaker. Built in key. CMOS-8043, assembled and tested **\$39.95**

SSB FILTER — Here's a new and different kind of single sideband filter. Unintelligible signals become readable as you slide the selectivity switch to optimize the audio bandwidth. SBF-2BX, assembled and tested **\$24.95**

FREQUENCY STANDARD — The MFJ-200BX provides strong precise markers every 100, 50, 25 kHz well into the VHF region. Gated for positive identification. CMOS. Accurately determines receive/xmit freq. MFJ-200BX, assembled and tested **\$24.95**

QRP TRANSMITTER — Work the world on 5 watts with this Transmitter on 40 meter CW. No tuning required. Short circuit proof. Switch selects crystal or VFO frequency control (crystals and VFO not included). Requires 12 VDC. MFJ-40T, assembled and tested **\$24.95**

QRP VFO — Companion VFO plugs directly into QRP transmitter above for stable variable frequency control from 7.0 to 7.2 MHz. Can be used with other xmtrs. 4V peak-peak output. MFJ-40V, assembled and tested **\$24.95**

QRP POWER SUPPLY — This unit will eliminate receiver hum and chirp and buzz in your transmitted signal caused by power supply deficiencies. Delivers up to 1 Amp at 12 VDC. MFJ-12DC, assembled and tested **\$24.95**

SUPER LOGARITHMIC SPEECH PROCESSOR — Up to 400% more RF Power is yours with this plug-in unit. Plugs in between mic and xmtr. Active filters concentrate power on those frequencies that yield max. intelligence. LSP-520BX, assembled and tested **\$49.95**

SIZES: Units Above are 4 x 3 3/4 x 3 3/16; Units Below 5 9/16 x 3 3/8 x 2 1/8.

SUPER LOGARITHMIC SPEECH PROCESSOR — This option includes all the features of the unit above plus a rotary function switch, an uncommitted 4 pin mic jack and an extra special enclosure. LSP-520BX11, assembled and tested **\$59.95**

STATE-OF-THE-ART RECEIVER PRESELECTOR — Connected between your antenna and receiver, this preselector dramatically improves weak signal reception. (Increases signal 3 to 5 "S" Units.) MFJ-1030BX, assembled and tested **\$49.95**

Please add \$2.00 per item for Shipping & Handling.

** warranty*

All products manufactured by MFJ Enterprises are **UNCONDITIONALLY GUARANTEED** for a period of one year from the date of purchase. This means we will repair or replace free of charge any of our products which are defective for any reason.

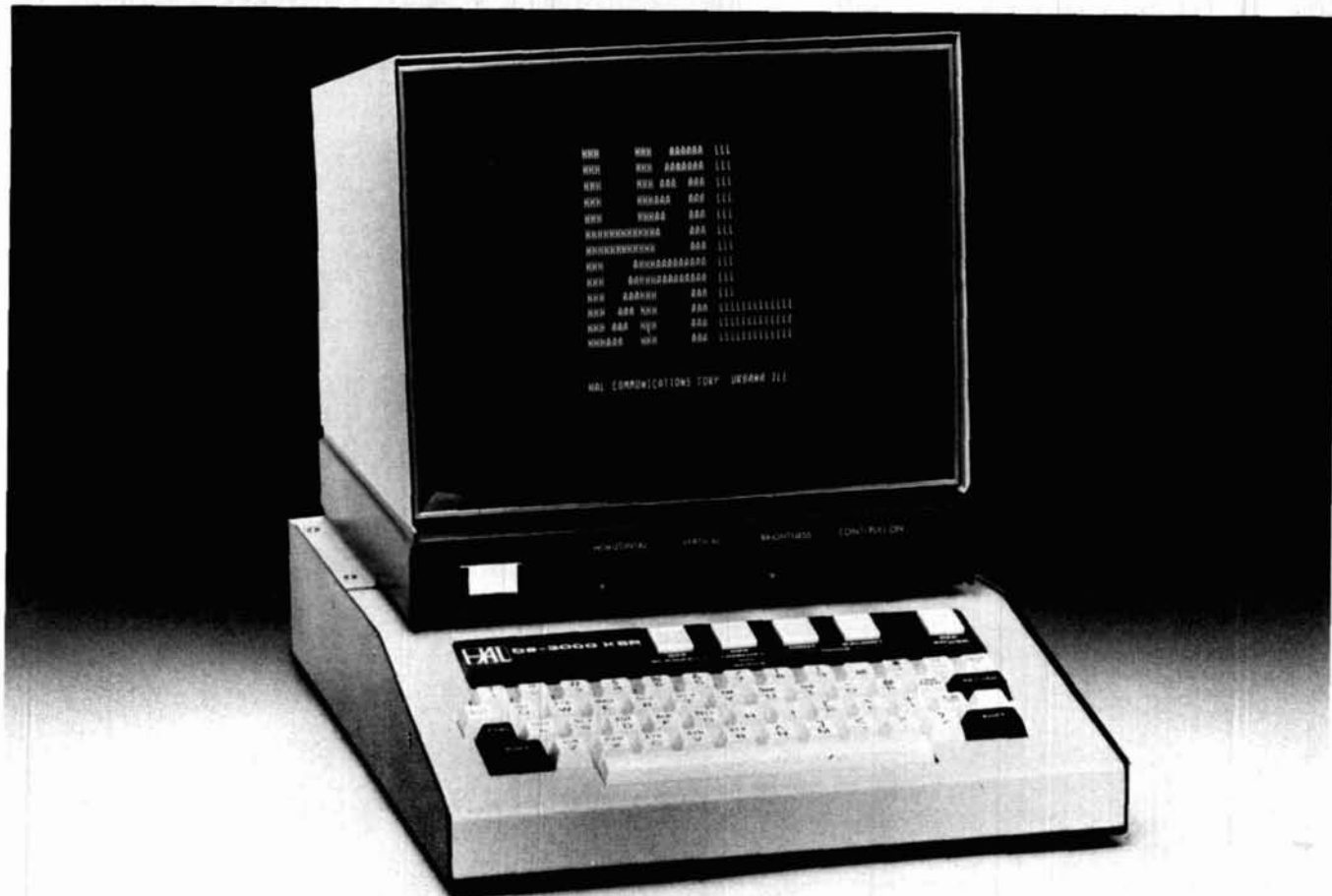
Why not let MFJ add that extra something to your station. Order today and see just what convenience and capabilities we can add to your life.

P. O. BOX 494(H) • MISSISSIPPI STATE, MISSISSIPPI 39762 • 601-323-5869

FREE CATALOG AVAILABLE.
DEALER INQUIRIES INVITED.



Stay tuned for future programs.



The HAL ST-6000 demodulator/kyer and the DS-3000 and DS-4000 KSR/RO series of communications terminals are designed to give you superlative TTY performance today—and in the future. DS series terminals, for example, are re-programmable, assuring you freedom from obsolescence. Sophisticated systems all, these HAL products are attractively priced—for industry, government and serious amateur radio operators.

The HAL ST-6000 operates at standard shifts of 850, 425, and 170 Hz. The tone keyer is crystal-controlled. Loop supply is internal. Active filters allow flexibility in estab-

lishing different tone pairs. You can select AM or hard-limiting FM modes of operation to accommodate different operating conditions. An internal monitor scope (shown on model above) allows fast, accurate tuning. The ST-6000 has an outstandingly high dynamic range of operation. Data I/O can be RS-232C, MIL-188C or current loop.

The DS-3000 and DS-4000 series of KSR and RO terminals provide silent, reliable, all-electronic TTY transmission and reception, or read-only (RO) operation of different combinations

of codes, including Baudot, ASCII and Morse. The powerful, programmable 8080A microprocessor is included in the circuitry to assure maximum flexibility for your present needs—and for the future. The KSR models offer you full editing capability. The video display is a convenient 16-line format, of 72 characters per line.

These are some of the highlights. The full range of features and specifications for the ST-6000 and the DS series of KSR and RO terminals is covered in comprehensive data sheets available on request. Write for them now—and tune in to the most sophisticated TTY operation you can have today... or in the future.



HAL Communications Corp., Box 365, 807 E. Green Street
Urbana, Illinois 61801 • Telephone: (217) 367-7373

ham radio

magazine

APRIL 1976
volume 9, number 4

editorial staff

James R. Fisk, W1DTY
editor-in-chief

Patricia A. Hawes, WN1QJN
Alfred Wilson, W6NIF
assistant editors

J. Jay O'Brien, W6GO
fm editor

James A. Harvey, WA6IAK
James W. Hebert, WA8OBG
Joseph J. Schroeder, W9JUV
associate editors

Wayne T. Pierce, K3SUK
cover

publishing staff

T. H. Tenney, Jr., W1NLB
publisher

Harold P. Kent
assistant publisher

Fred D. Moller, Jr., WN1USO
advertising manager

Cynthia M. Schlosser
assistant advertising manager

Therese R. Bourgault
circulation manager

offices

Greenville, New Hampshire 03048
Telephone: 603-878-1441

ham radio magazine is published monthly by
Communications Technology, Inc
Greenville, New Hampshire 03048

subscription rates

U.S. and Canada: one year, \$10.00
three years, \$20.00
Worldwide: one year, \$12.00
three years, \$24.00

foreign subscription agents

Ham Radio Canada
Box 114, Goderich
Ontario, Canada, N7A 3Y5

Ham Radio Europe
Box 444
194 04 Upplands Vasby, Sweden

Ham Radio France
20 bis, Avenue des Clarions
89000 Auxerre, France

United Kingdom
Ham Radio UK
Post Office Box 64, Harrow
Middlesex HA3 6HS, England

African continent
Holland Radio, 143 Greenway
Greenside, Johannesburg
Republic of South Africa

Copyright 1976 by
Communications Technology, Inc
Title registered at U.S. Patent Office

Printed by American Press, Inc
Gordonsville, Virginia 22942, USA

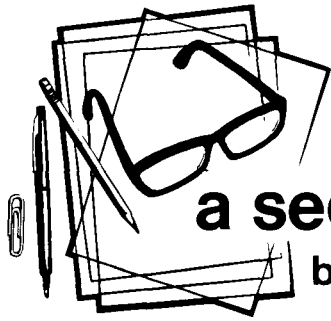
Microfilm copies
are available from
University Microfilms
Ann Arbor, Michigan 48103

Second-class postage
paid at Greenville, N.H. 03048
and at additional mailing offices



contents

- 10 programmable contest keyer**
Howard F. Batie, W7BBX
- 18 solid-state communications receivers**
John R. Megirian, K4DHC
- 26 741 op-amp circuit design**
Courtney Hall, WA5SNZ
- 30 corner-fed loop antennas**
Barry J. Kirkwood, ZL1BN
- 34 amateur radio's golden years**
William I. Orr, W6SAI
- 40 circuits and techniques**
James R. Fisk, W1DTY
- 44 microprocessors**
David G. Larsen, WB4HYJ
Peter R. Rony
Jonathan A. Titus
- 48 80-meter ssb transceiver**
Dr. W. J. Weiser, VE3GSD
- 54 universal L, C, R bridge**
John H. Ellison, W6AOI
- 58 troubleshooting by resistance measurement**
Michael James
- 4 a second look**
- 110 advertisers index**
- 40 circuits and techniques**
- 91 flea market**
- 102 ham mart**
- 64 ham notebook**
- 44 microprocessors**
- 70 new products**
- 58 novice reading**
- 110 reader service**
- 58 repair bench**
- 6 stop press**



a second look

by Jim Fisk

Now that 16-kilobit random-access memories are starting to appear on the market, it shouldn't be too long before we see some of these devices in amateur products. Its predecessor, the popular 4k RAM, evolved rather slowly because manufacturers were forced to switch from p-channel to n-channel designs to reduce cell size. Since 16k RAMs use the same basic technology, prices can be expected to race down the curve at a much faster pace -- some manufacturers are predicting the price will drop to less than \$10 by early next year. Others see a much slower pace, with the magic \$10 price at least three years away. All agree, however, that once it's in production, the 16k RAM will dominate the solid-state memory market well into the early 1980's.

One of the reasons the 16k memory will be with us for awhile (as opposed to the relatively short-lived 1k, 2k and 4k devices) is because the next level of RAM integration, 65,536 bits, is probably beyond the reach of the n-channel MOS process. In the 16k RAM each bit is squeezed into a site about one-thousandth of an inch square (0.025mm^2) -- about half the area required in 4k designs -- by placing the cell's switching transistor and storage capacitor on top of one another instead of side by side as in the 4k layout. However, most researchers are convinced that the switched-capacitor or single-transistor cell used in present RAMs won't be good enough for 65k devices -- it will probably peter out well short of 0.3 to 0.5 mil^2 (0.0005 inch^2 or 0.013mm^2) cell sizes needed for the 65-kilobit chips. The innovations in technology and circuit design that will be needed to reach the 65k level, such as bit sharing, charge coupling, or multi-level memory planes, will resist quick translation into production devices.

Of the several options which show promise for 65-kilobit cell integration, attention is presently being focused on the charge-coupled device (CCD) technique that Texas Instruments has used to build an experimental RAM cell. Known among insiders as the no-transistor RAM the device stores bits in switchable CCD capacitors implanted under the MOS gate. One reason the CCD approach is so attractive is that it lends itself to the same silicon-gate process used in 4k RAMs. The CCD memory cell, which meets the necessary size requirements for 65k integration, can switch as fast as a conventional MOS transistor so no speed is lost. More significantly, the CCD RAM requires only two access lines per cell: one for storage and a sense line for reading. This further reduces chip size (all of today's RAMs need three lines per cell). The question that remains is whether the CCD memory cell can be manufactured in large chips with high yields -- if it can't, designers will have to come up with other designs or further develop semiconductor technology.

Although the new 16k random-access memories received a good deal of attention at this year's Solid State Circuits Conference in Philadelphia, a number of other new developments were described which will have great impact on future electronic circuitry. Among the new circuits are Fairchild's new I^2L RAM which puts 4096 bits of bipolar memory on a single chip, a 16-bit minicomputer controller on a single chip from Toshiba, Intel's n-channel static RAM which breaks the 100-ns speed barrier, and a 4k static RAM from American Micro Devices which operates from 5 volts (a first at that density level). Also described was a continuously-charge-coupled random-access memory (C³RAM) from Siemens in Germany that shows promise for 65k integration. It all adds up to another exciting year for digital electronics.

Jim Fisk, W1DTY
editor-in-chief



the little surprise

The **IC-22A** has caused some pretty big surprises since it first started making waves in VHF-FM. Veteran operators have been delightfully surprised by its sophisticated styling and ease of operation; FM beginners, by its versatility, large number of possible channels, and its great value as a starter unit for FM transceiving; and all owners, by its unexcelled high quality construction and low maintenance problem record, ICOM traditions. The competition was in for a big surprise as it raced past everything in its field to become the most popular two meter crystal controlled radio on the market. Surprise. Surprise.

But the **IC-22A's** best surprise is the little surprise, its price. surprise. The little radio with all the big surprises is also the best FM transceiver value available. Engineered for versatility and sophistication: priced within the reach of the most modest beginner. Whether the **IC-22A** is your first FM or your last, you're in for a little surprise.



SEMICONDUCTORS	22
TRANSISTORS	4
FET	3
IC	16
DIODES	
FREQUENCY RANGE	146-148MHz
CHANNELS	22
MODULATION	Phase, F3
VOLTAGE	13.8 (15%)
SIZE	58x156x2305 (dim in MM)
WEIGHT	1.7 kilos

POWER OUTPUT
BANDWIDTH (TRANSMITTED)
MICROPHONE
SENSITIVITY

INTERMEDIATE FREQUENCIES

MODULATION ACCEPTANCE
RECEIVER BANDWIDTH

AUDIO POWER

HI 10 Watts, LO 1 Watt
15KHz with 5KHz deviation
DYNAMIC 500 Ohms
.4 microvolts for 20DB quieting
.3 microvolts for 12DB SINAD
10.7MHz First I.F.
455KHz Second I.F.
7KHz peak dev. freq. less than 3KHz
+/- 13KHz more than -6DB
+/- 23KHz more than -60DB
1 Watt into 8 Ohms

VHF/UHF AMATEUR AND MARINE COMMUNICATION EQUIPMENT

Distributed by:



ICOM WEST, INC.
Suite 3
13256 Northrup Way
Bellevue, Wash. 98005
(206) 747-9020

ICOM EAST, INC.
Suite 307
3331 Towerwood Drive
Dallas, Texas 75234
(214) 620-2780

presstop

EXCELLENT AMATEUR RADIO PR has resulted from Amateur Operators' extensive on-going contribution in Guatemala. For example, WB2JSM at the Hall of Science Radio Club in Flushing, N.Y. got coverage in both the New York Daily News and New York Times plus CBS TV nationwide exposure for what ended up as a 'round the clock message handling operation. The Red Cross put out an extremely laudatory press release on the Amateur's role in the disaster, and those Amateurs who called their local papers and broadcast stations found very receptive ears.

LONG AWAITED RACES DOCKET has finally received FCC approval and in effect gives the Radio Amateur Civil Emergency Service to Radio Amateurs. In their Report and Order on Docket 19723 the Commissioners discontinued the requirement for RACES communications plans, FCC certifications and authorizations. It also permits RACES station Licenses to be issued directly to civil defense organizations, and provides for the shared use of all the Amateur frequencies by RACES on a first-come, first-served basis except during emergencies requiring invocation of the President's War Emergency Powers.

Control Operators of RACES stations will have to be licensed Amateurs, and operating privileges for RACES operators will be identical to those of the Amateur Service. Use of RACES stations will be limited to bona fide emergencies plus up to one hour per week of drills and tests.

Existing RACES Stations may continue to operate under existing authorizations and the old rules until their present licenses expire. Any presently licensed RACES station whose license expires less than 18 months after the March 23, 1976 effective date of the Report and Order is also permitted to renew the present license for one additional year.

10 METER REPEATERS will now be permitted according to an Order just released by the FCC. Inputs and outputs for in-band ten-meter machines must lie between 29.5 and 29.7 MHz, and cross banding to ten meters will be tricky since the rule change specifically prohibits repeating the transmissions of an Amateur not authorized to operate on the 28-MHz band.

AMATEUR EXTRA CLASS licensees who wish to have the Extra Class certificate should make a written request to the FCC Field Office at which they took the examination. Requests must include a photocopy of the Extra Class license - any requests that go to Washington or Gettysburg will be returned without action.

OSCAR ARTICLE by K3RXK in February Popular Mechanics is a beautifully presented, outstanding presentation of the Amateur space program. Highly recommended reading.

Too Much Power May be being used by as many as 95% of OSCAR users responding to the AMSAT Newsletter poll. Based on equipment and antennas reported, most users should cut back to avoid exceeding the design ERP levels.

OSCAR Users Should start checking 29510 during stateside passes for current news. That frequency has been suggested as an "AMSAT traffic" frequency, primarily for control stations, but general users would profit by learning of schedule changes and other operating modifications as they occur.

Regular "QRP Nights" on the two OSCARs have been suggested by K1HTV - Rich has worked 13 countries while running 1 watt input and recently QSOed W2BXA with only 0.1W ERP! He'd like user suggestions as to how an on-going low power program could be set up for satellite users - write his Callbook address.

OSCAR 8 Projected Launch period is now starting to shape up, will probably occur sometime in the winter of 1977-1978.

IDENTIFYING YOUR GEAR now increasingly important. For starters, make your markings deep enough that they cannot be easily polished away and place them on the outside where they can be seen without tearing the radio apart. Then use:

1. Your Callsign: not much help to police, but best mark of all at a hamfest - particularly one at which you and your loss are known; plus,
 2. The rig serial number: too many radios have easily removed serial plates or tags; plus,
 3. Your drivers license number with state as "(NH)ABC-XXX-1234" - this gives police anywhere a path back to you for your recovered gear; plus (optional),
 4. Your telephone number with area code - another good way for police tracing, but some don't like it because the thief might also be able to follow it; or,
 5. Your name and address - easy to follow by police but just as easily by the thief.
- Selling Or Buying - equipment so marked should not be a problem provided both buyer and seller get and keep copies of a descriptive bill of sale. Buyers should also insist that the seller verify his identity, since you're the one stuck if the rig is hot and you can't get back to him.

TWO MAJOR DX CONVENTIONS have settled on September meeting dates - DXPO 76 is set for September 25 in Reston, Virginia, and W9-DXCC will be September 11 in Chicago.

Dentron Amplifies America

We took the most desirable and important features and engineered them into the all new Dentron **Continuous Duty 160-10 meter amplifier.**



160-10L Specifications

Size: 7 1/4" H x 14 1/2" W x 14" D

Weight: 43 lbs.

Frequency Range: 1.8 MHz (1.8-2.5) 3.5 MHz (3.4-4.6)
7 MHz (6.0-9.0) 14 MHz (11.0-16.0)
21 MHz (16.0-22.0) 28 MHz (28.0-30.0)

Power Input: SSB 1200 P.E.P. Continuous
CW 1000 watt DC Continuous
SSTV 1000 watt DC input 25 minute continuous
RTTY 1000 watt DC input 25 minute continuous
TUNE 1000 watt DC input 15 minute continuous

Output impedance: 50-75 ohms Pi network wide range
VSWR not to exceed 2 to 1

Third-order Distortion: Down at least 30 db

Meter Selector Switch-plate, voltage, Plate Current
Built-in Antenna change over relay
Dual-speed Cooling System
AC Input Source 110V or 220V AC, 50-60 Hz
Automatic Circuit Breaker Protection

160-10L Features

- 160 thru 10 meters
- 1200 watts P.E.P. on SSB continuous
- 1000 watts DC on CW, RTTY or SSTV
- "On demand" Variable forced air cooling system
- Self contained continuous duty power supply
- 4-811A Triodes in Grounded Grid mounted in cooling chamber
- Compact, low profile, solid, one-piece cabinet, tube cooling chamber eliminates need for perforated cabinet.
- Covers MARS Frequencies without modifications
- Broadbanded input and output circuit
- 70 watt drive for maximum legal input

Dentron

Radio Co., Inc.

2100 Enterprise Parkway
Twinsburg, Ohio 44087
(216)425-3173

Another surprise from Dentron, but the biggest surprise of all is the price.
Just \$499.50 Post paid USA from Dentron Radio Co., Inc.
Also available from your favorite dealer.

All Dentron products are made in U.S.A.

**either way is the
right way**

**...they're both
KENWOOD**



the TR-2200A

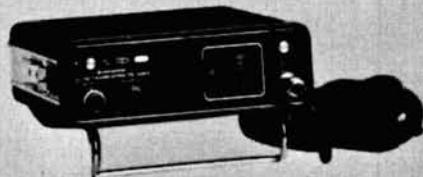
Kenwood's high performance portable 2-meter FM transceiver... completely transistorized, rugged and compact.

12 channel capacity. Built in telescoping antenna can be easily replaced, or stored in carrying case. Connector for external antenna also. External 12 VDC or internal ni-cad batteries, complete with 120 VAC battery charger. 146-148 MHz frequency coverage. 12 channels, 6 supplied. Battery saving "light off" position. Hi-Lo power switch (2 watts - 400 mW). Sensitivity: 0.5 μ V or less/26 dB S+N/N. Built-in speaker. Size: 5-3/8" x 2-5/16" x 7-1/8", 3-3/4 lbs. Complete with Dynamic mike, O-T-S carrying case, all cables, speaker/headphone plug and 10 Ni-Cad batteries. Amateur net... \$229.00.



the TR-7200A

Kenwood's superb 2-meter FM mobile transceiver. Designed to withstand the most severe punishment while providing consistently excellent performance.



Packed with features like the PRIORITY function... Put your favorite crystals in channel 7, and the

7200A automatically returns to that frequency when it senses activity there. 146-148 MHz coverage, 22 channels, 6 supplied. Completely solid state. Voltage required: 13.8 VDC. Antenna impedance: 50 ohms. Frequency adjusting trimmers on every crystal. RF output power: 10 watts (or 1 watt at low power). Adjustable frequency deviation (factory set at ± 5 kHz). Automatic VSWR protection. Receiver sensitivity less than .5 μ V for 27 dB. Selectivity: 12 kHz/-6 dB and 24 kHz/-70 dB. Size: 7-1/16" W x 2-3/8" H x 9-7/16" D, 5-1/2 lbs.

Complete with dynamic mike, DC power cord, mobile mount, mike hanger, auxiliary connector and external speaker plug. Amateur net... \$249.00.

The perfect companion to the TR-7200A is the PS-5 AC/DC power supply. Together they provide an efficient and handsome base station. The PS-5 is complete with a digital clock and automatic time control feature built in. Amateur net... \$79.00.

When you get tired of compromises...

TS-700A Specifications

TRANSMIT/RECEIVE FREQUENCY RANGE:
144-148 MHz
MODE: SSB, FM, CW, AM
RF OUTPUT: CW, FM: more than 10W output.
AM: more than 3W output. SSB: more
than 20W DC input.
ANTENNA IMPEDANCE: 50 Ω (unbalanced)
CARRIER SUPPRESSION: Better than 40 dB
SIDE BAND SUPPRESSION: Better than 40 dB
SPURIOUS RADIATION: Less than -60 db



KENWOOD'S TS-700A finally fulfills the promise of 2-meters... more channels, more versatility, tunable VFO, SSB-CW and, best of all, the type of quality that has placed the Kenwood name out front.

- Operates all modes: SSB (upper & lower), FM, AM, and CW
- Completely solid state circuitry provides stable, long lasting, trouble-free operation
- AC and DC capability. Can operate from your car, boat, or as a base station through its built-in power supply
- 4 MHz band coverage (144 to 148 MHz) instead of the usual 2
- Automatically switches transmit frequency 600 KHz for repeater operation. Just dial in your receive frequency and the radio does the rest... Simplex repeater reverse
- Or do the same thing by plugging a single crystal into one of the 11 crystal positions for

- your favorite channel
- Outstanding frequency stability provided through the use of FET-VFO
- Zero center discriminator meter
- Transmit/Receive capability on 44 channels with 11 crystals
- Complete with microphone and built-in speaker
- The TS-700A has been thoroughly field-tested. Thousands of units are in operation throughout Japan and Europe

The TS-700A is available at select Kenwood dealers throughout the U.S. For the name of your nearest dealer, please write.

MAX. FREQUENCY DEVIATION (FM): ± 5 kHz
REPEATER FREQUENCY SHIFT WIDTH:
600 kHz
TONE BURST TIME: 0.5-1.0 sec.
MODULATION: Balanced modulation for SSB.
Variable reactance frequency shift for FM.
Low power modulation for AM.
MICROPHONE: Dynamic microphone, 500 Ω
AUDIO FREQUENCY RESPONSE: 400-2600 Hz,
within -9 db
RECEIVING SYSTEM: SSB, CW, AM: Single-
superheterodyne; FM: Double-
superheterodyne.
INTERMEDIATE FREQUENCY: SSB, CW, AM:
10.7 MHz; FM: 1st IF: 10.7 MHz; 2nd IF:
455 kHz
RECEIVING SENSITIVITY: SSB, CW: S/N = 10
dB or better at 0.25 μ V; 20 dB noise
quieting = Less than 0.4 μ V; AM: S/N =
10 dB or better at 1 μ V
IMAGE RATIO: Better than 60 dB
IF REJECTION: Better than 60dB
PASS BANDWIDTH: SSB, CW, AM: More than
2.4 kHz at -6 dB; FM: More than 12 kHz at
-6 dB.
RECEIVER SELECTIVITY: SSB, CW, AM: Less
than 4.8 kHz at -60 dB; FM: Less than
24 kHz at -60 dB
SQUELCH SENSITIVITY: 0.25 μ V
AUDIO OUTPUT: More than 2W at 8 Ω load
(10% distortion)
RECEIVER LOAD IMPEDANCE: 8 Ω
FREQUENCY STABILITY: Within ± 2 kHz during
one hour after one minute of warm up,
and within 150 Hz during any 30 minute
period thereafter.
POWER CONSUMPTION: Transmit mode: 95W
(AC 120/220V), 4A (DC 13.8V), max
Receive mode (no signal): 45W (AC 120/
220V), 0.8A (DC 13.8V).
POWER REQUIREMENTS: AC 120/220V,
50/60 Hz; DC 12.16V (13.8V as reference).
DIMENSIONS: 278 (W) x 124 (H) x 320 (D) mm
WEIGHT: 11 kg
SUGGESTED PRICE: \$700.00

Prices subject to change without notice



KENWOOD
...pacesetter in amateur radio



programmable contest keyer

A CW man's keyer
featuring
high memory capacity,
operating convenience,
and reasonable cost

A **programmable memory keyer** is a desirable asset in contest work. It can handle much of the repetitive work while you check dupes, fill out the log, or just take a break. The few programmable keyers on the market all have some desirable features, but they lack the capacity and automatic memory control necessary for smooth, high-speed contest operating. A programmable memory keyer is also needed that the average amateur can afford. The keyer described here has been designed to meet these needs.

Major design objectives included high memory capacity, low cost, and operating simplicity for both program and readout modes; manual, semiautomatic, or fully automatic operation; nonvolatile, nondestructive memory readout; and convenient size. The design is centered around the Intel P2102, a 1024-bit static programmable random access memory (PRAM) in a 16-pin package.* This IC was selected because it requires no refresh circuitry as do dynamic PRAMS, only a single +5 volt power supply is required, all inputs and outputs are fully TTL compatible, and it's readily available at reasonable cost.

description

The keyer (**fig. 1**) is designed so that manual operation with a paddle or bug will always override the mem-

*Intel, 3065 Bowers Avenue, Santa Clara, California 95051.

By **Howard F. Batie, W7BBX**, 12002 Chevoit Drive, Herndon, Virginia 22070

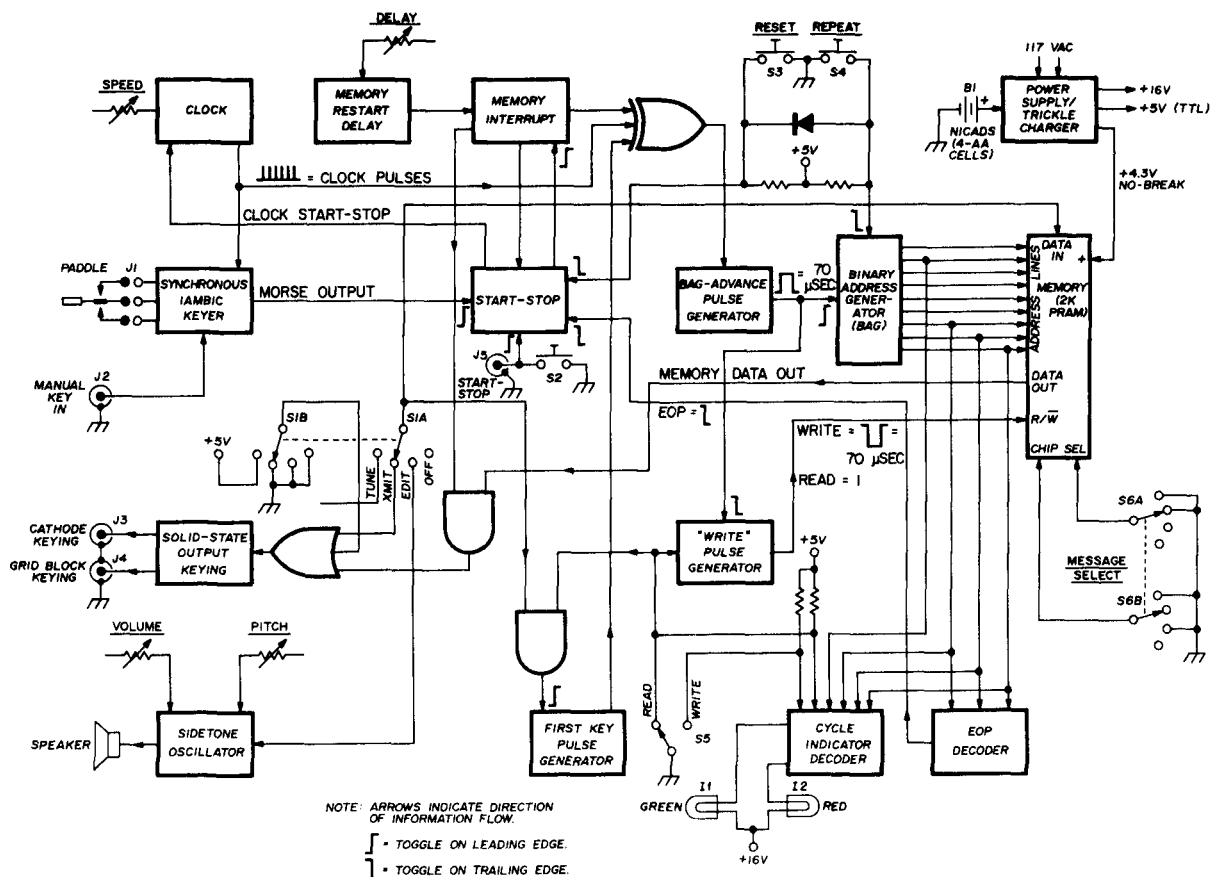


fig. 1. Simplified block diagram of the programmable contest keyer designed by W7BBX. Features include iambic keying, four selectable 512-bit memories, built-in sidetone oscillator, and solid-state transmitter keying.

ory readout. Operation is identical to that of a conventional digital iambic keyer when the memory section isn't used. The popular clock and iambic keyer described by Garrett¹ were modified slightly to interface with the memory. The synchronous clock begins at the instant the paddle is closed and runs for two clock pulses after character generation ceases. The self-completing characters are perfectly formed and spaced throughout the speed range, and character generation is jam-proof. Speed is continuously and smoothly variable from about 8 wpm to well above 60 wpm. The dot memory allows automatic insertion of a dot while holding the dash paddle closed. Similarly, a dash may be inserted while holding the dot paddle closed. Iambic operation allows alternate perfectly spaced dots and dashes to be generated when both paddle arms are simultaneously closed. An external manual key or bug can be used directly instead of the paddle and will control all keyer and memory readout functions.

Solid-state output keying for all inputs (paddle, external manual key and memory readout) is incorporated. The keyed output is directly compatible with most popular cathode-keyed and sidetone/vox actuated and grid-block-keyed transmitters; two output keying jacks, one for positive-keyed voltages up to +150 volts and one for negative-keyed voltages up to -150 volts, are simultane-

ously available on the rear panel. However, if your transmitter is cathode keyed and 100 mA or more flows through the keyed circuit, an external pass transistor or keying relay may be required. A twin-T audio oscillator and amplifier provide a sinusoidal sidetone waveform that drives an internal 8-ohm permanent-magnet speaker with sufficient audio to perform well in a moderate ambient noise environment. Volume is adjustable, and the pitch is variable from about 400 to 1500 Hz. The internal sidetone oscillator is activated only during the edit mode; that is, for off-the-air programming or checkout of a programmed message. During transmit, or while programming on the air, the transmitter sidetone oscillator would be used in the usual manner. If your transmitter doesn't have an internal sidetone oscillator, a minor wiring modification to the function switch S1A terminals will permit the keyer's internal sidetone oscillator to be used in both edit and transmit modes. A *tune* position is incorporated for tune-up purposes.

memory readout

With S5 in *readout* (fig. 1) and the stored message to be transmitted selected by S6, readout is initiated by depressing S2. This starts the clock, and the clock pulses are fed to the binary address generator (BAG), which includes nine tandem flip-flops. As the flip-flops cycle

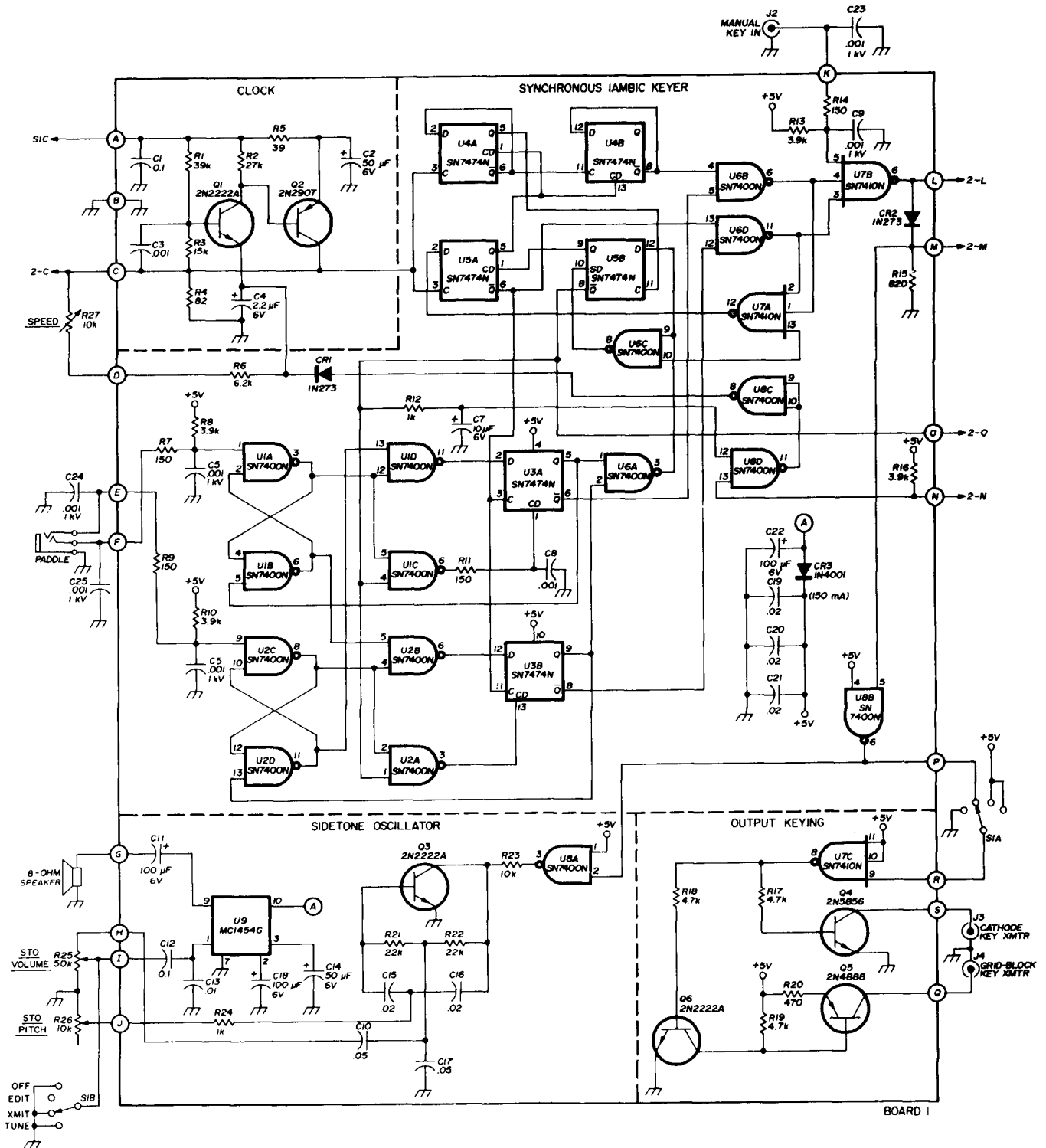


fig. 2. Logic diagram of the keyer board for the programmable contest keyer. Designations 2-C, 2-L, etc., indicate connections to board 2 (fig. 3). S1 is a 3-pole, 4-throw shorting-type rotary switch. All resistors are 1/4 watt, 10%.

through 511 successive counts, their BCD output is applied to the nine address lines of the selected memory section, and the addressed information stored in each memory cell is automatically presented to the memory

chip data out terminal. If desired, memory readout can be halted in mid message by depressing S2 again before completion of the entire readout sequence. Further memory readout is inhibited until S2 is again depressed;

memory readout will then continue from the point at which it was interrupted (semiautomatic operation). On the 511th clock pulse fed to the binary address generator, the BAG returns to all zeroes on the nine output

erator. Depressing S4 during the first seven-eighths of the message readout sequence resets only the binary address generator to the message beginning, which is then automatically repeated. Thus, if "CQ TEST DE W7BBX/4"



Controls and receptacles on rear panel. Although not labelled, one jack is for grid-block keying; the jack labelled "to xmtr key" is for cathode-keyed transmitters.

lines (end of program readout). The downward transition of the highest significant memory address line is unique and signifies "end of program," or EOP. This EOP transition automatically stops the clock, and all control circuitry is simultaneously reset to begin another readout sequence when S2 is next depressed.

Rear-panel provisions are made for remotely starting the memory readout sequence. A separate spst switch in parallel with S2 at J5 can control both *start* and *stop* functions; for example, a simple foot switch can be used to free your hands for the paddle or logging. Alternatively, any external circuit that provides a negative-going TTL-compatible pulse can trigger *readout*. (One possible application might be synchronization to WWV for moonbounce, meteor scatter, or satellite relay operations.)

When the memory readout cycle is initiated, the green *cycle* indicator (I1) lights continuously until 87.5% of the memory contents have been read out; at which point it begins to flash to indicate "nearing end of program." When the message has been completely read out, the green light extinguishes. Depressing S3 at any point in the message *readout* cycle stops the clock and resets all control functions and the binary address gen-

were programmed into the memory, selective repeats by S4 can modify the transmitted message to, for example, "CQ CQ TEST CQ TEST DE W7BBX/4." The increased memory capacity over that of many presently available keyers allows a message length up to that of "The quick brown fox jumped over the lazy dogs back" to be programmed into each of the four separate memories.

An essential feature of a contest keyer is the ability of the paddle to override the memory readout to insert exchange number and/or signal reports in the middle of a programmed message (fully automatic operation). The memory interrupt feature allows you to manually break into any point of the memory readout cycle merely by activating either the paddle or external manual key during memory readout; memory readout is instantly interrupted and remains interrupted as long as manual keying continues. When manual keying stops, an adjustable 1-second delay is introduced by the memory restart delay before the keyer automatically allows memory readout to continue from the point at which it had been interrupted. Memory restart does not have to be manually commanded. Thus, a programmed contest message of "DE W7BBX/4 NR 599 VA BK" can be sent correctly by manually inserting the contest exchange number be-

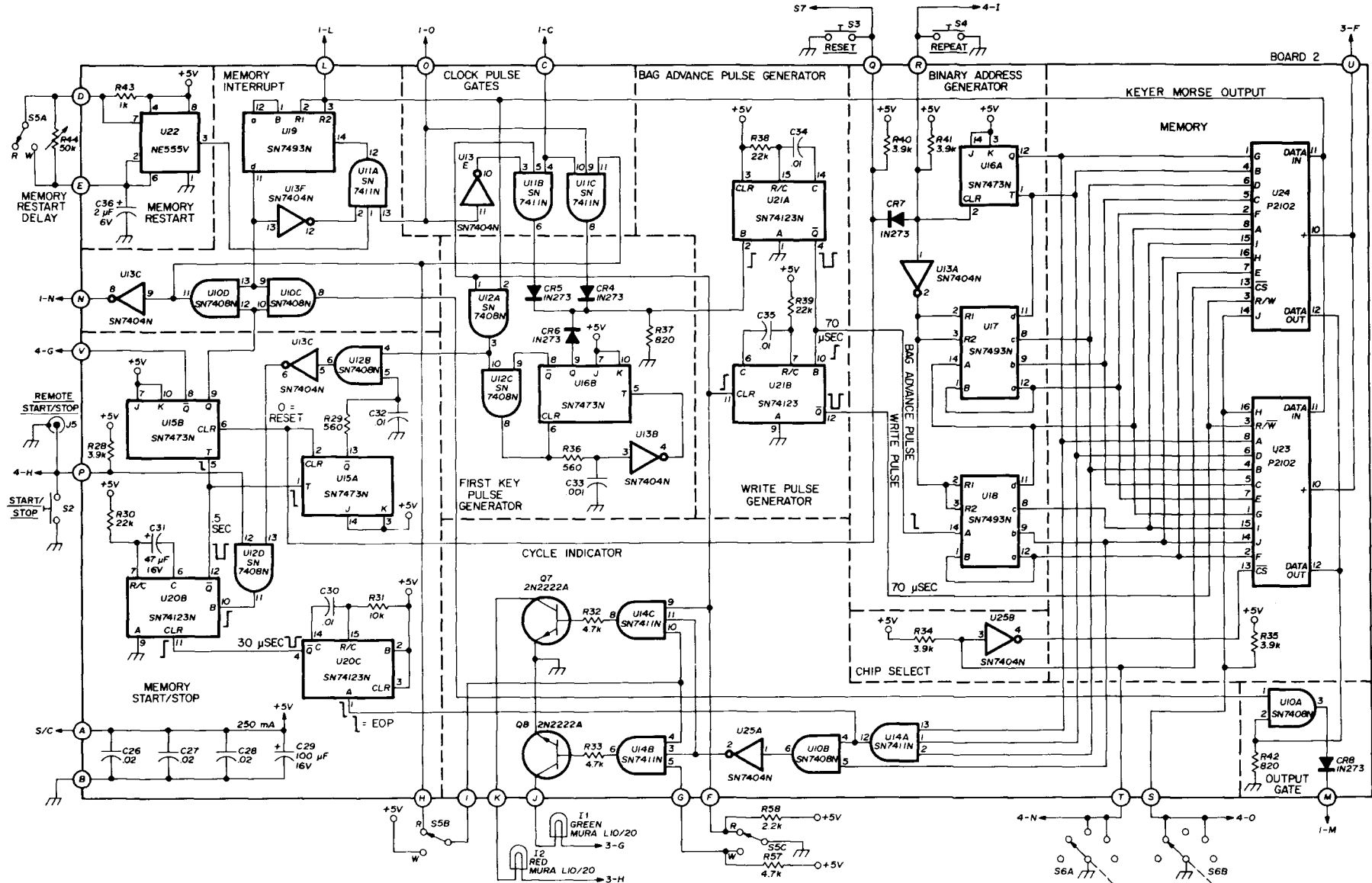
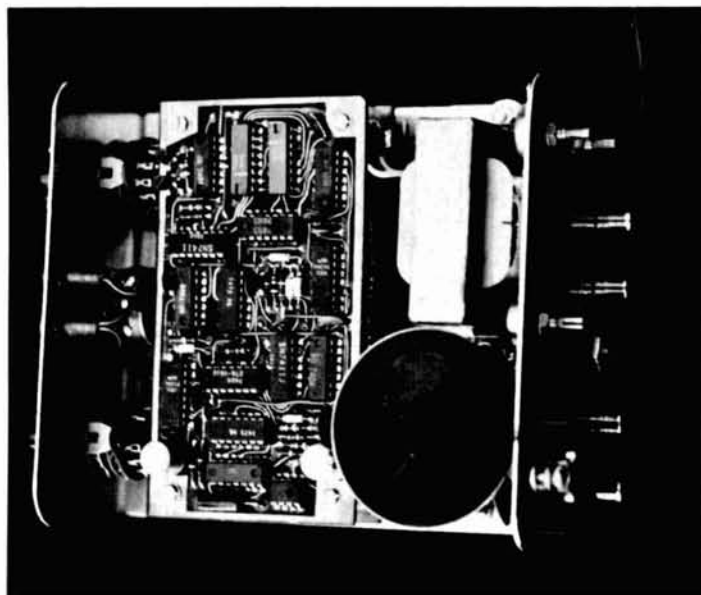


fig. 3. Memory circuit for the programmable contest keyer. Designations 1-L, 1-O, etc., designate connections to board 1 (fig. 2.) Connections 3-F, 3-G go to the power supply, and 4-N, 4-O go to the remote control unit. S2, S3 and S4 are spst push buttons. S5 is a 3pdt toggle switch; S6 is a 2-pole, 5-throw rotary switch (shorting or non-shorting okay). All resistors are 1/4 watt, 10%.

tween NR and 599 during memory readout. Memory contents previously stored in the array are automatically prevented from being inadvertently transmitted while the memory is in a hold condition during manual keying.

memory programming

Placing S5 in the *write* position automatically programs a logic zero in the first cell, steps the binary



Chassis top view showing memory board, sidetone oscillator speaker, and power supply transformer.

address generator to the second cell, and causes the red *cycle* indicator (I2) to light immediately, even though the clock is not yet running and nothing is being written into the memory register. The clock is started and programming begins automatically merely by activating the paddle. During the *write* sequence, the clock operates in a "semi-synchronous" mode: while keying normally with the paddle, operation is fully synchronous; if character generation ceases, the clock continues to run asynchronously through the remainder of the message capacity, and logic zeroes are programmed to erase any previously stored message.

The red *cycle* indicator begins blinking when 87.5% of the memory has been programmed and returns to steady red at the end of the programmable capacity; this reminds you to place S5 to the *read* position before initiating a *readout* sequence with S2, or again activating the paddle before a new memory register is selected by S6. Otherwise, the message contents just programmed might be erased.

With S5 in the *write* position, the *write* pulse generator is activated. The binary address generator "advance" pulses toggle the BAG on the leading edge of each positive-going pulse, while each trailing (falling) edge triggers the *write* pulse generator to provide the negative-going *write* command to the memory array. Thus, correct tim-

ing occurs for accurate memory cell selection and for writing into the selected cell the logic level that appears on the data-in line (keyer output) at the instant of the *write* pulse. S1 and S5 are independent, so the keyer may be programmed on the air (S1 in *transmit* mode) or off the air (S1 in *edit* mode).

power supply

Although the Intel P2102 has nondestructive memory readout (stored information is not lost during readout), loss of power to the memory chip causes loss of the entire stored information (the memory chip is volatile). To keep Murphy and his despicable laws out of the memory, a no-break trickle-charged nicad supply is recommended. Such a charger will preserve keyer memory contents for about 2 to 3 hours, which will eliminate reprogramming when your Field-Day generator runs out of gas. Completely discharged nicads will be recharged in about 20 hours.

remote operating control

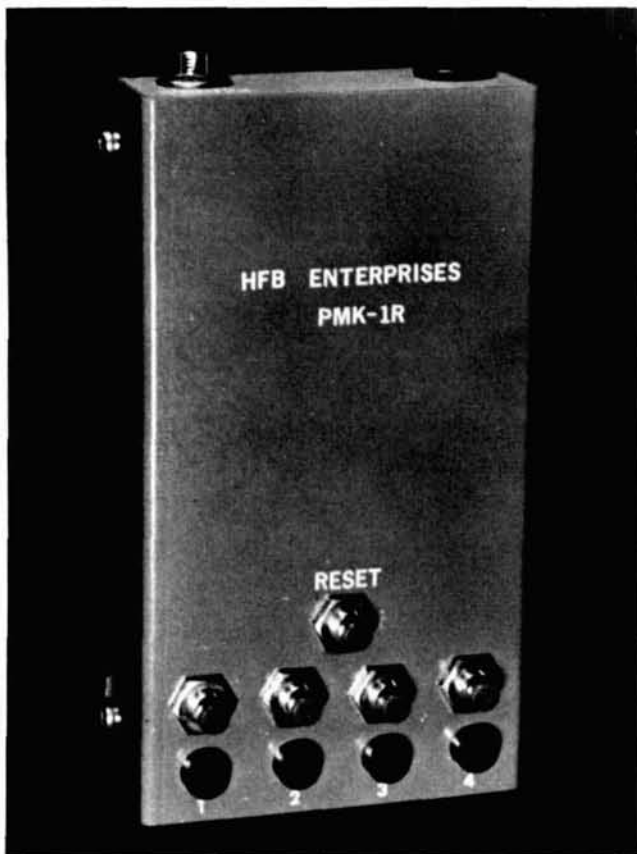
Provisions can be made on the rear panel of the contest keyer to accommodate a remote operating control which can be conveniently placed next to your paddle or bug.* The remote unit controls those keyer readout functions which are most necessary during a contest: message selection, message start, message repeat, and message reset. Depressing any one of the four message select pushbuttons automatically selects that message, resets the memory to the message beginning and starts message readout. Since message selection is



Front panel of programmable contest keyer. Set and forget controls, and input and output jacks, are on rear panel.

*Schematic diagrams for the power supply and remote-control unit will be sent to interested readers upon receipt of a stamped, self-addressed envelope.

independent of the last message sent, successive selections of the same message immediately repeats that message from its beginning. A separate *reset* pushbutton is included to immediately stop the readout sequence.



Remote control unit for the programmable contest keyer provides control of all major keyer functions.

The remote cabinet selected (LMB CR-531) is approximately 1x3x5 inches (2.5x7.5x1.3cm) and houses the five pushbuttons, the printed-circuit board and four optional panel lights which indicate the selected message. Connection to the keyer is made by a plug-in, shielded, 8-conductor cable. All power for the remote is derived from the keyer, and removal of the remote cable from the keyer does not affect keyer operation.

construction

Panel clutter was avoided by automating as many memory-control functions as possible. Most-used controls are on the front panel; others are mounted on the rear of the keyer. An LMB CO-3 enclosure was used. The circuit is mounted on three PC boards: one for the basic iambic keyer, output keying, and sidetone oscillator; one for all memory functions; and one for the power supply.[†]

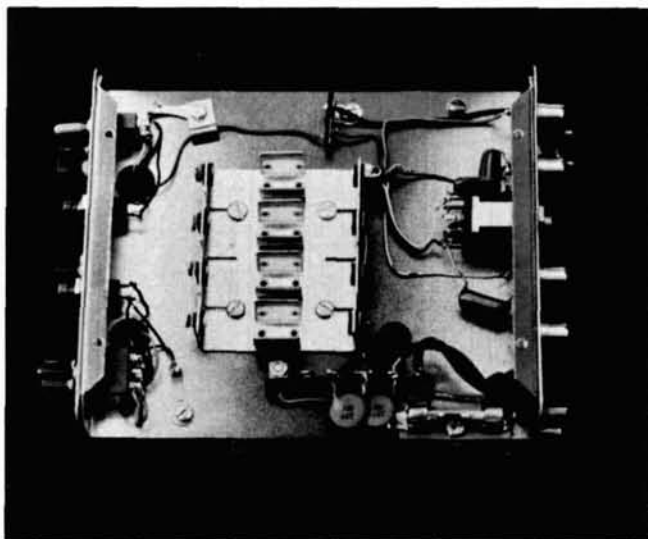
If desired, the keyer may be built without the memory board and used as a conventional iambic keyer

and the memory may be added later. No keyer-board changes will be required and only four wires need be interconnected between keyer and memory board. The PC-board layout allows all memory-board wires and connections to be added without removing either keyer board or power supply from the cabinet.

A high degree of rf immunity is achieved by a) using TTL instead of CMOS devices, b) providing rf bypassing on all paddle and keying leads, and c) providing a grounding bond between cabinet sections. The keyer has been successfully kilowatt tested at a 3:1 vswr from 80 through 10 meters.

summary

The trade between performance, cost and circuit simplicity is sometimes difficult. For this project it was decided to opt for a capacity of four 512-bit messages and gain the advantages of paddle-programming and fully-synchronous operation at the expense of increased circuit complexity. This decision has been proved by the keyer's flexible, reliable, and unconfusing operation. This keyer has been a most useful operating aid both at home and in the field under generator power (thanks to the nicads). I'd like to thank the members of the Potomac Valley Radio Club for their constructive comments, suggestions and support.



Underchassis view showing battery receptacles and power-supply wiring.

[†]A set of double-sided PC boards with plated-through holes plus assembly and operating instructions are available from HFB Enterprises, Post Office Box 667, Herndon, Virginia 22020. The price is \$30.00 post paid. Included are step-by-step assembly instructions, a complete parts list, operating instructions, and a full set of drill templates for the LMB CO-3 and LMB CR-531 cabinets.

reference

1. James Garrett, WB4VVF, "The WB4VVF Accu-Keyer," *QST*, August, 1973, page 19.

ham radio

HEATHKIT HAM GEAR

...a tradition for
thousands



HW-201 hand-held 2-meter transceiver.

1 watt out, 5 receive and 10 transmit channels gets you on 2 while you're walking, working, outdoors, anywhere. There's even the HWA-201-3 auto-patch encoder you can build right in.



HW-202 crystal-controlled 2-meter transceiver.

The one used by thousands because of its reliability, performance and low kit-form price! Delivers a solid 10 watts minimum, operates on up to 6 transmit and 6 receive channels.

When you buy Heathkit Ham gear, you continue a tradition established by thousands of Hams the world over. You get fine performing equipment that is designed for you to build, so you learn about your hobby as you contribute to it. And you save money in the process.

Best of all, you're dealing with a company whose reputation for fairness, honesty and outstanding customer satisfaction is the envy of the industry. When we say "We won't let you fail", we mean it! From the extensive troubleshooting and service guides in each of our manuals, to our technical consultant service, we strive to provide quality Ham products that perform better than any ready-mades. And the pride and satisfaction you get when you put it together yourself is a "built-in" bonus with every Heathkit product.

See the exciting line of Heathkit Ham Gear in our bright, new Spring Catalog! Mail postcard or coupon today!

Heath Company, Dept. 122-16
Benton Harbor, Michigan 49022

Over 400 easy-to-build kits including:

- Amateur, CB and SWL radio
- Stereo and Hi-Fi Components
- Test Equipment
- R/C Gear
- Marine, Aircraft, Automotive Accessories
- Color TV



FREE Heathkit Spring '76 Catalog. Send for it today.

HEATH

Schlumberger

HEATH COMPANY, DEPT. 122-16
BENTON HARBOR, MICH. 49022

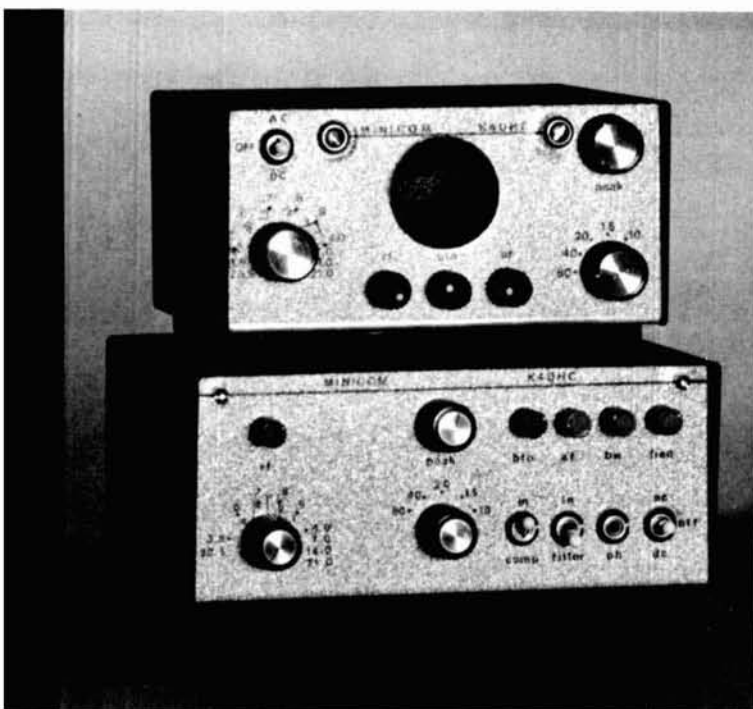
Please send me my FREE Heathkit Catalog

Address _____

Name _____

City _____ State _____ Zip _____

AM-329



design ideas for miniature communications receivers

A collection of miniaturized receiver circuits including the Minicom Mk III, a five-band converter, an 80-meter tuner and two complete i-f and audio systems

I wrote my first article for an amateur publication in 1971.¹ Writing was something I had always wanted to do but until then I had never gotten up enough courage to try it. After several weeks of writing, rewriting and drawing circuit diagrams, I felt I had something that might be accepted by the editor. When it was finally published I discovered what the real rewards were: letters came in from all over the country and from many DX locations. I not only had a great time answering all these people and swapping ideas with them, I made many new friends with whom I still correspond.

Of all the articles I've written since then, only my most recent one generated as much enthusiastic response as the first. Both of these articles discussed receivers and miniaturization; evidently

this is a favorite topic with the majority of readers. If you found the Minicom² interesting, read on.

The original Minicom packed a lot of performance into a small package, but

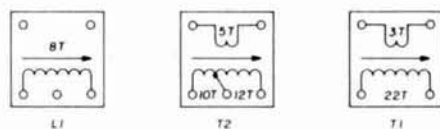


fig. 2. Bottom view of inductor L1 and transformers T1 and T2. All coils are wound with salvaged wire on standard 3/8" (10mm) i-f transformers.

even before the article had been published a new version was on my workbench. It packed even more performance into the same space and was called the Mk II. If you were among those who

Ray Megirian, K4DHC, Box 580, Deerfield Beach, Florida 33441

wrote to me regarding parts for the Minicom, you already know about the Mk II as an information package was made available to interested builders. Since then the Mk III has been devised and will be discussed here along with several other useful assemblies for ssb/CW receiver construction.

Minicom Mk III

My particular use for the Minicom has been as a tunable i-f for use with an external converter for all-band coverage up to 30 MHz. Several such converters have been built in very compact form so that, when teamed up with the Minicom assembly, it results in a very diminutive multi-band communications receiver.

Development of the Mk III receiver was undertaken for several reasons. First, I was interested to see if the receiver could be made smaller without resorting to techniques that would be impossible to duplicate. I also wanted to determine the feasibility of substituting varactor tuning for the three-gang tuning capacitor. If successful, the latter would not only eliminate a major hard-

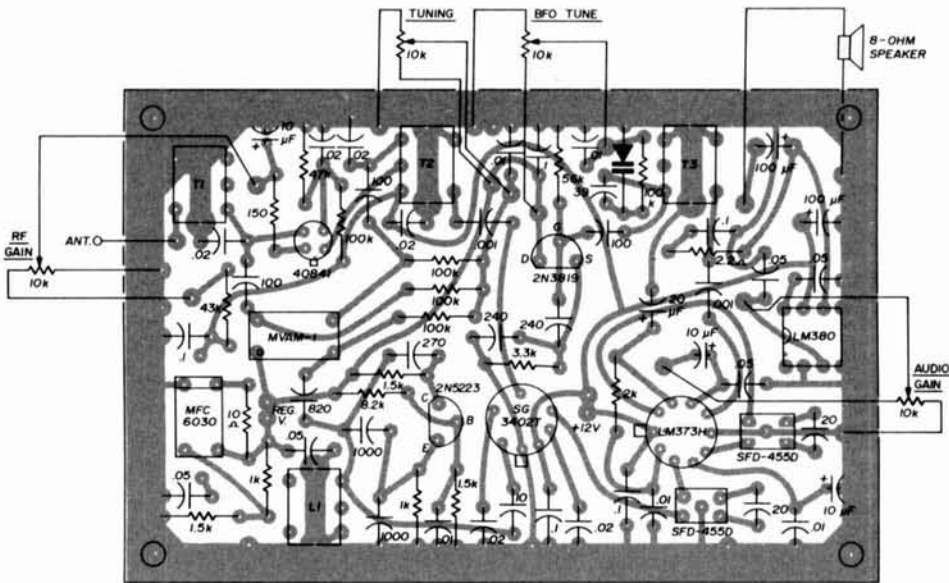


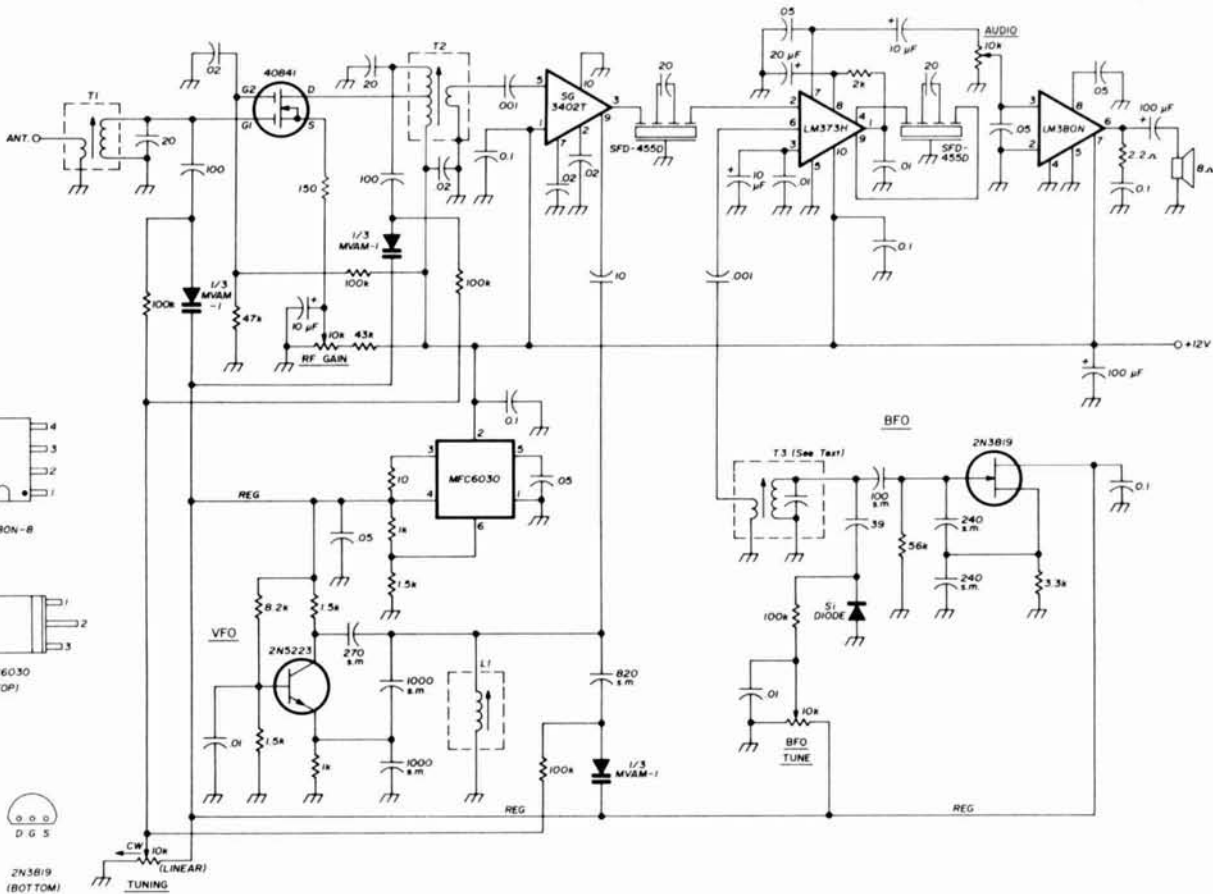
fig. 3. Printed-circuit layout for the Mk III communications receiver.

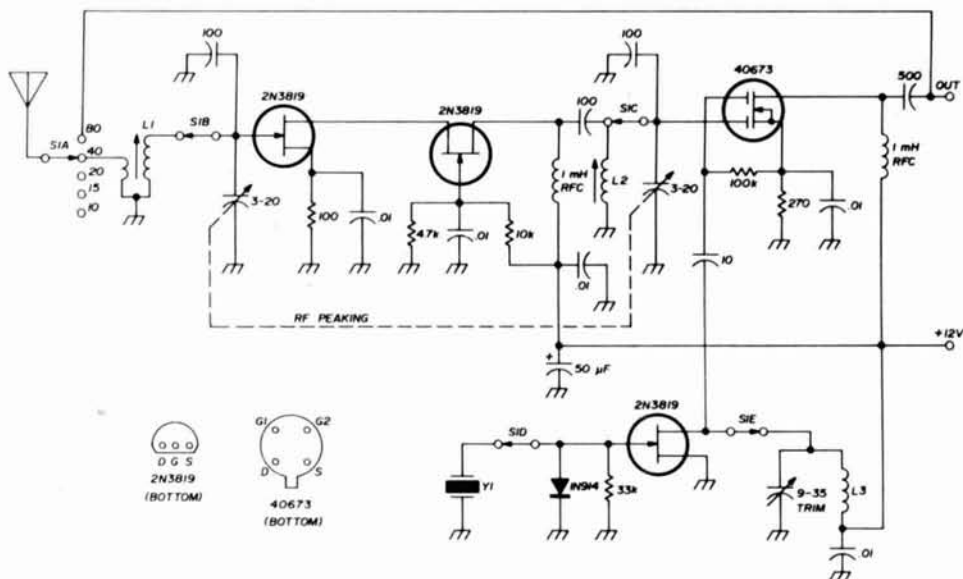
to-find component, it would make miniaturization a reality.

Some time ago Motorola announced their MVAM-1 triple tuning diode and it was this item that encouraged me to go

ahead with my investigation of an electronically-tuned Minicom. Although designed for tuning a broadcast-band receiver, a study of the MVAM-1 data sheet led me to believe that diode Q

fig. 1. Circuit diagram of the Mk III communications receiver which uses tuning diodes. Remove pins 4, 6 and 8 from the SG3402T IC before installing it on the circuit board. Details for L1, T1 and T2 are shown in fig. 2. All resistors are 1/4 watt, 5%.

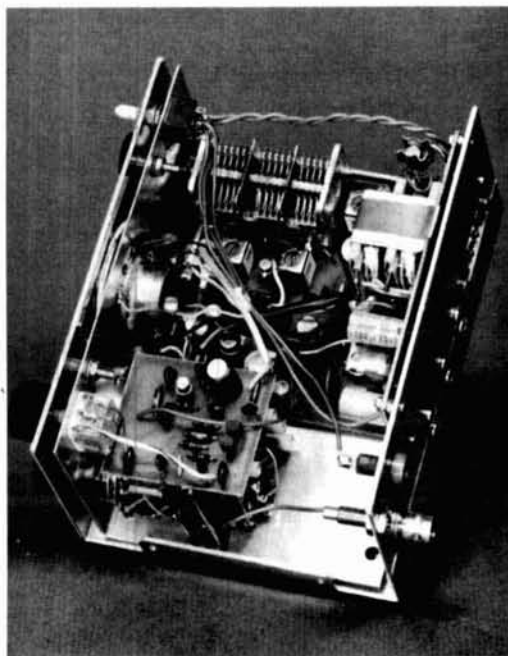




band	L1	L2	L3	Y1
40	20 turns no. 36 (0.13mm), 2 turn link	20 turns no. 36 (0.13mm)	4.7 μ H	11 MHz
20	12 turns no. 28 (0.3mm), 1.5 turn link	12 turns no. 28 (0.3mm)	2.2 μ H	18 MHz
15	7 turns no. 28 (0.3mm), 1 turn link	7 turns no. 28 (0.3mm)	1.5 μ H	25 MHz
10	4 turns no. 28 (0.3mm), 1 turn link	4 turns no. 28 (0.3mm)	1.5 μ H	25 MHz

fig. 4. Five-band converter for use with the Mk III communications receiver. In this design the 25-MHz crystal is used for both 10 and 15 meters. Complete coverage of the 10-meter band requires additional crystals. Inductors L1 and L2 are wound on 0.215" (5.5mm) diameter PC-mount coil forms with Carbonyl-E (red) cores. Molded rf chokes are used at L3.

Interior of the smaller receiver. The Mk II board assembly is mounted on standoffs to the sub-chassis (top). The converter is in the foreground and the power supply is on the rear panel.



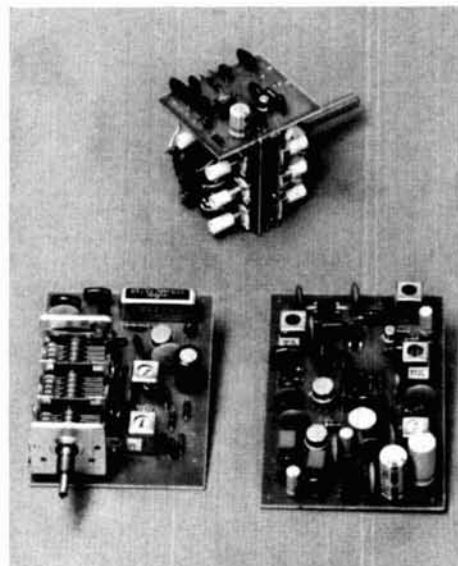
would be high enough at 4 MHz to produce a pretty good receiver. The final results achieved with a breadboard receiver were quite satisfactory and led to the layout shown here. The board is 2.5 inches (65mm) wide by 3-7/8 inches (100mm) long. The Mk II is 3.75 inches (95mm) square. The schematic of fig. 1 shows the circuitry for the receiver which tunes from 3.5 to 4.0 MHz using approximately 80 percent of the tuning pot rotation. Tracking is good within these limits but starts to deteriorate at the extreme ends of the resistance element.

One big advantage of the diode tuning system is mounting flexibility. Since tuning is accomplished with a potentiometer at the end of a three-wire cable, the receiver may be mounted anywhere in the cabinet without worrying about exact positioning or shaft alignment.

To make tuning easier, some sort of reduction drive is needed, just as with conventional tuning systems. Perhaps the reduction drives that are the easiest to find are the small Japanese vernier

dials which have better than 7:1 reduction. The built-in stops which limit travel to 180 degrees can be eliminated by snipping off the stop pin, thus allowing continuous rotation.

Except for the mixer, which uses a Silicon General SG3402T IC, the circuitry of the Mk III is quite conventional. Good results with this mixer were achieved in the Mk II so it was used in the Mk III as well. The LM373H once again does a commendable job in the i-f section where two Murata SFD-455D ceramic filters provide selectivity. An LM380 replaces the MC1454 in the audio portion, adding the advantages of electrical and thermal overload protection. The bfo remains unchanged.



The 40-, 20-, 15- and 10-meter converter is at the top. The electronically-tuned Minicom Mk III is on the right; on the left is the 80-meter tuner.

diode tuning

A few words about the MVAM-1 might be worthwhile at this point since that's what the Mk III receiver is all about. The three diodes are wired with a common cathode lead and housed in a tiny four-pin plastic package. Typical capacitance at 1.0 volt reverse bias (V_R) and $f = 1.0$ MHz is 480 pF. The capacitance ratio is 15 (minimum) for reverse bias between 1 and 25 Vdc. The three diodes are matched within ± 1.5 percent over the entire capacitance vs voltage

curve. Typical Q at $V_R = 1.0$ Vdc and $f = 1.0$ MHz is more than 500.

Because of the large capacitance rating of these diodes, it was possible to change the vfo configuration to a more drift-free design. This new vfo circuit drifts very little; so long as the receiver is operated in a relatively stable temperature environment, drift is practically nonexistent. The diode capacitance temperature coefficient could be a problem, however, if the receiver were operated under widely varying ambient temperature conditions. The diode capacitance temperature coefficient given in the data sheet is typically $435 \text{ ppm}/^\circ\text{C}$ at $V_R = 1.0$ Vdc and $f = 1.0$ MHz.

Another consideration requiring strict attention with diode tuning is voltage regulation. It stands to reason that since the diodes are voltage-controlled devices, the source of control voltage must retain a high degree of stability. A simple zener diode is far from satisfactory in this application so an IC voltage regulator (MFC6030) was included on the circuit board to provide the needed regulation. With the values shown in fig. 1 the output is around 7 volts and the minimum input voltage to maintain regulation is 10 volts. Spare terminals on the circuit board allow access to this regulated voltage for use with other external circuits, if needed. On the board the regulator supplies power to both the vfo and bfo besides providing a stable control voltage for tuning purposes.

Standard 455-kHz transistor i-f trans-

The three versions of the i-f amplifier. With noise blanker (top), without (right) and compressor/filter version (left).

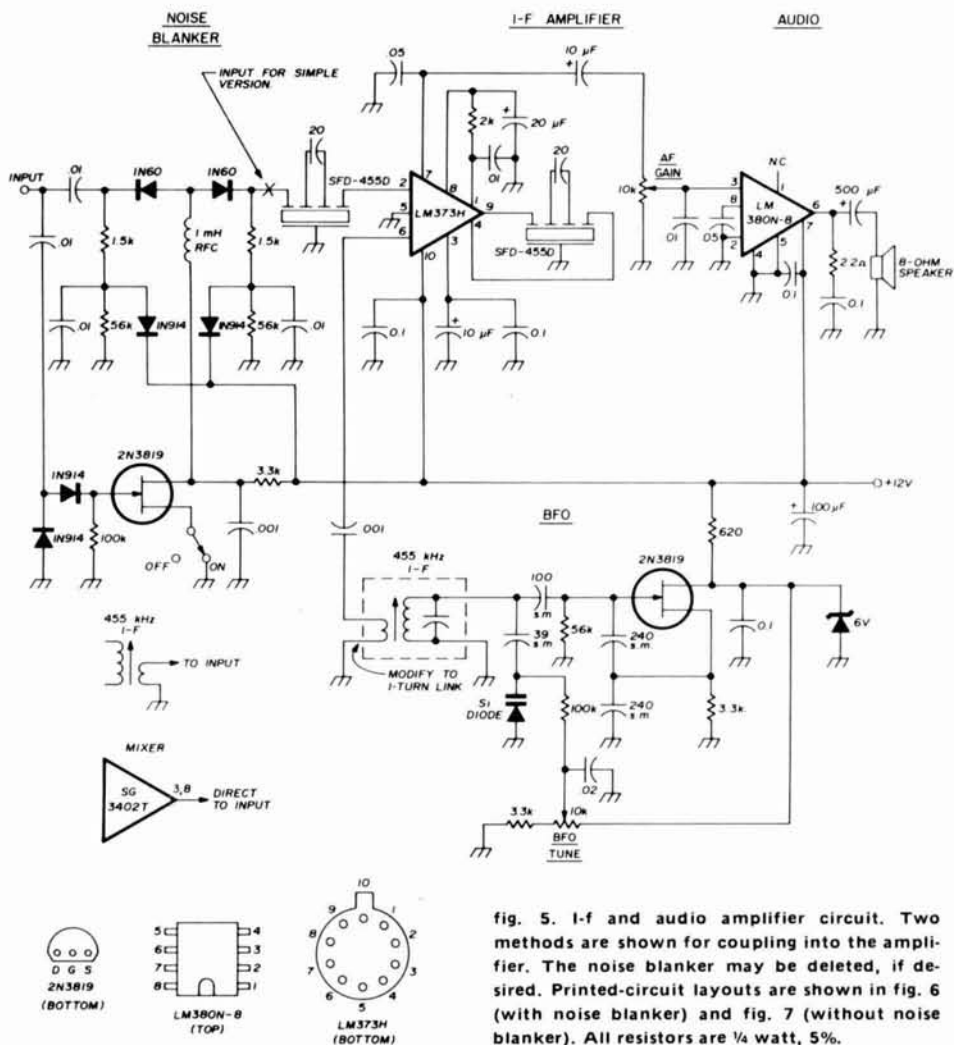
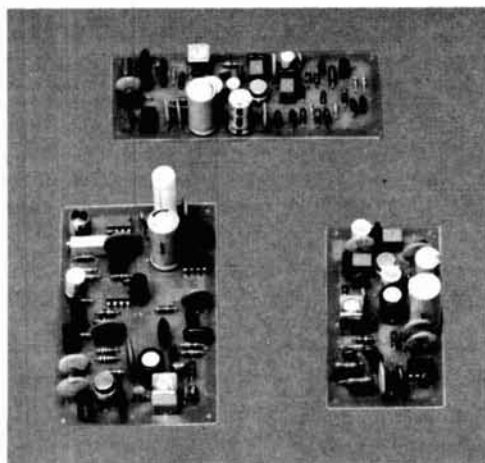


fig. 5. I-f and audio amplifier circuit. Two methods are shown for coupling into the amplifier. The noise blanker may be deleted, if desired. Printed-circuit layouts are shown in fig. 6 (with noise blanker) and fig. 7 (without noise blanker). All resistors are $\frac{1}{4}$ watt, 5%.

formers were stripped and used for coil forms as in all previous models of the Minicom receiver. If you've forgotten how to strip these devices, refer to the original Minicom article for details.² Any of the transformers (white, yellow or black core) may be used for the bfo transformer after one simple modification. Unsolder the secondary (link) leads from the base pins and gently break off the wires where they disappear into the bobbin. Substitute a single-turn link wound over the existing coils using a piece of salvaged wire from the rf coils (see fig. 2). This change assures proper bfo injection level for the LM373.

multi-band converter

A suitable mechanical design for the converter proved to be the most difficult problem of all to solve. After

numerous attempts it looked as if the converter would occupy as much space as the Minicom; this put a big dent in my miniaturization program. I finally solved the problem by using three separate circuit boards instead of one. The heart of the assembly is the bandswitch, around which everything else is built. The miniature bandswitch was a surplus item originally manufactured by Oak and has seven 1-inch (25mm) wafers, six of which were single pole, eight position devices. The seventh wafer had a weird switching arrangement which was of no use. Since only five poles were needed, this last deck plus one of the others were removed. The added space was taken up by two of the circuit boards and some suitable spacers. A shield was also installed between sections.

Unfortunately, these surplus switches were a one-time deal and I don't know

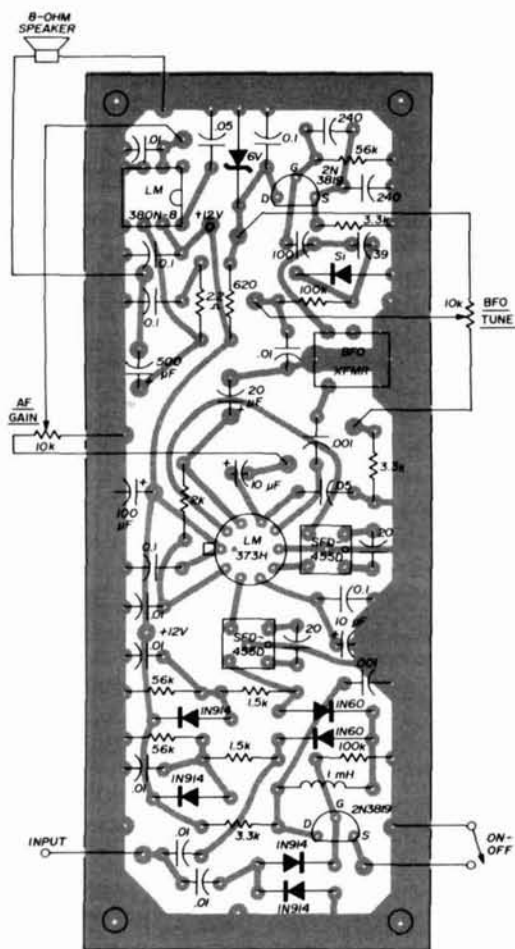


fig. 6. Printed-circuit component layout for the i-f and audio amplifier with noise blanker.

new tuners or front ends. At other times this sectionalized construction technique is the only one which will allow cramming everything into the available space. In either case, one of these i-f modules may be just what you need.

An inspection of the schematic in fig. 5 reveals that the circuit is identical to that used in the second half of the MK III. An LM373H IC with two Murata SFD-455D ceramic filters fulfills the requirements for i-f amplifier, detector and agc functions. The bfo is identical to the Mk III as is the LM380 used for the audio amplifier.

If desired, a noise blanker may be included ahead of the i-f input by making the circuit board slightly longer. In either case, the board is 1.75 inches (45mm) wide with a length of 3-3/8 inches (86mm) for the simple version and 4-5/8 inches (117mm) with the noise blanker.

The circuit for the noise blanker is similar to one used in a commercial Japanese two-meter ssb transceiver. A reader in West Germany, Earl Lagergren, sent me the circuit after reading my article on a solid-state noise blanker.³ Since this noise blanker circuit requires no special components and works at various i-f frequencies, I've included it here as a worthwhile addition to your potpourri of receiver circuits.

One of the complete receivers shown

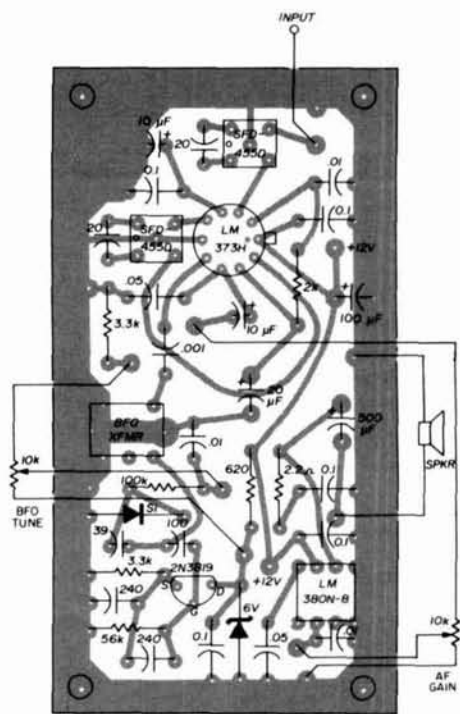


fig. 7. I-f and audio amplifier printed-circuit layout. Circuit board which includes a noise blanker is shown in fig. 6.

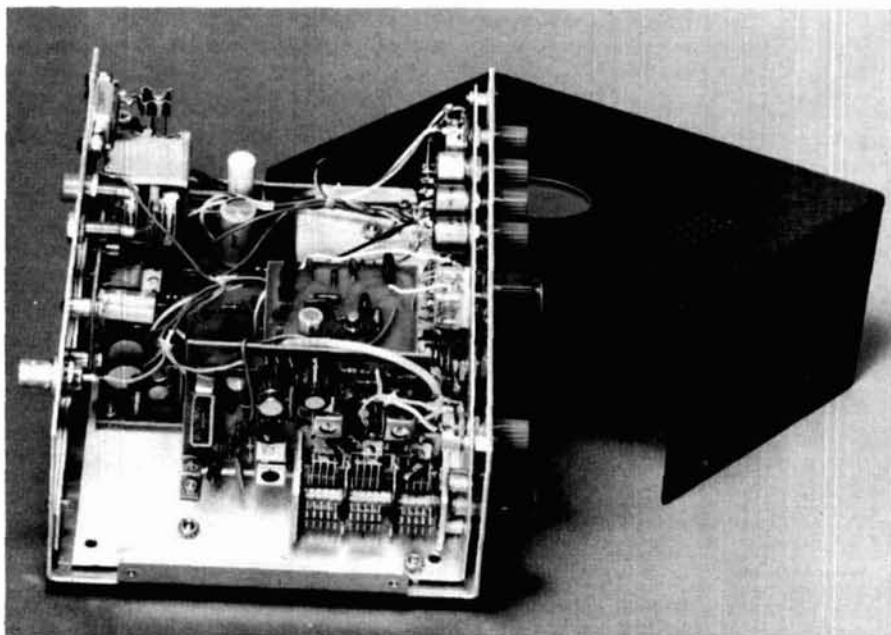
in the photos uses this tuner, the four-band converter and an i-f and audio system (described later). It is identical to the rf and mixer stages of the Mk II which some of you are familiar with.

where you can get any of them now, so any detailed assembly instructions for the converter would be useless. However, if you have the skill required to build any of this equipment, you shouldn't find it too difficult to come up with a layout to fit your own components. A schematic of the converter I used is shown in fig. 4.

In my converter only the 28.5 to 29.0 MHz segment of 10 meters is covered. For additional coverage, you'll need additional crystals. The rf section should require no changes to cover the entire 10-meter band. The two-gang tuning capacitor used to peak the converter front end is a tiny film dielectric type removed from a transistor fm radio. If you use one of these, a shaft has to be made.

i-f and audio

Occasionally the need arises for an i-f system which you can use for testing



Interior of the larger receiver. The tuner was mounted on edge with the converter right behind it. The i-f, compressor/filter assembly is mounted on the sub chassis to the rear. A power supply is installed on the rear panel.

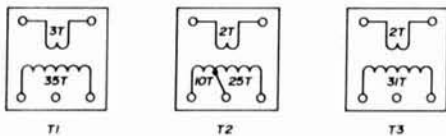


fig. 9. Bottom view of transformers T1, T2 and T3 used in the 80-meter tuner. All coils are wound with salvaged wire on standard 3/8" (10mm) i-f transformers.

Included on the tuner board is a Murata CFS-455J ceramic ladder filter which provides 3 kHz bandwidth at 6 dB down and superior skirt selectivity to systems using the SFD-455D filters.

The rf stage shown in fig. 8 incorporates one of the newer types of mosfet, a dual-gate n-channel enhancement mode, Signetics type SD304. These transistors operate with all-positive bias which may be of interest to anyone who has been looking for an agc system not requiring a dual polarity power supply. About 40 dB of agc range is possible with 0-6 volts applied to gate 2. This circuit, however, uses a manual rf gain control.

The three-gang tuning capacitor is the same as that used in the original Minicom receiver. The two 22 pF padding capacitors for the rf and mixer tank circuits are mounted directly on the variable capacitor before it is installed on the board. These two sections also have built-in mica trimmers for tracking adjustment.

An extra stage of i-f was included on the tuner board to overcome the insertion loss of the ladder filter. A SG3402T IC is used in the mixer section; pin 6 must be removed before mounting the IC on the circuit board.

i-f and audio system

Some time ago I wrote an article describing a complete audio system for use in a communications receiver.⁴ This system consisted of a tunable filter, an audio agc system and a power output stage and drew pretty good response from readers. In the version shown in fig. 11 the i-f stages have been included along with the compressor and tunable audio filter. The notch function, however, has been deleted and the circuit

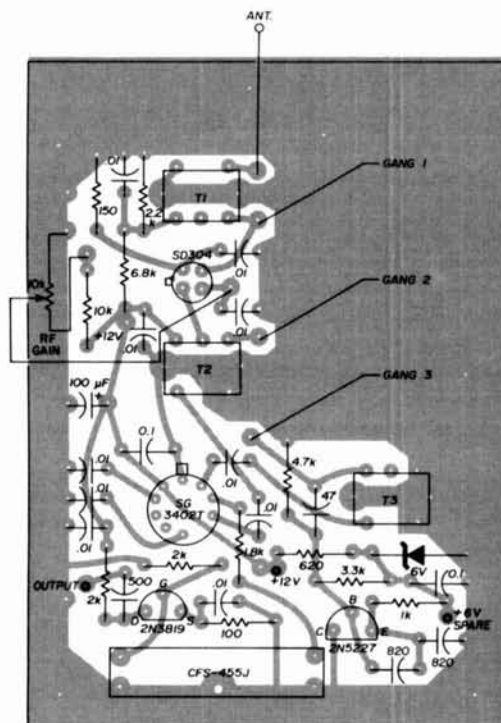


fig. 10. Printed-circuit layout for the 80-meter tuner.

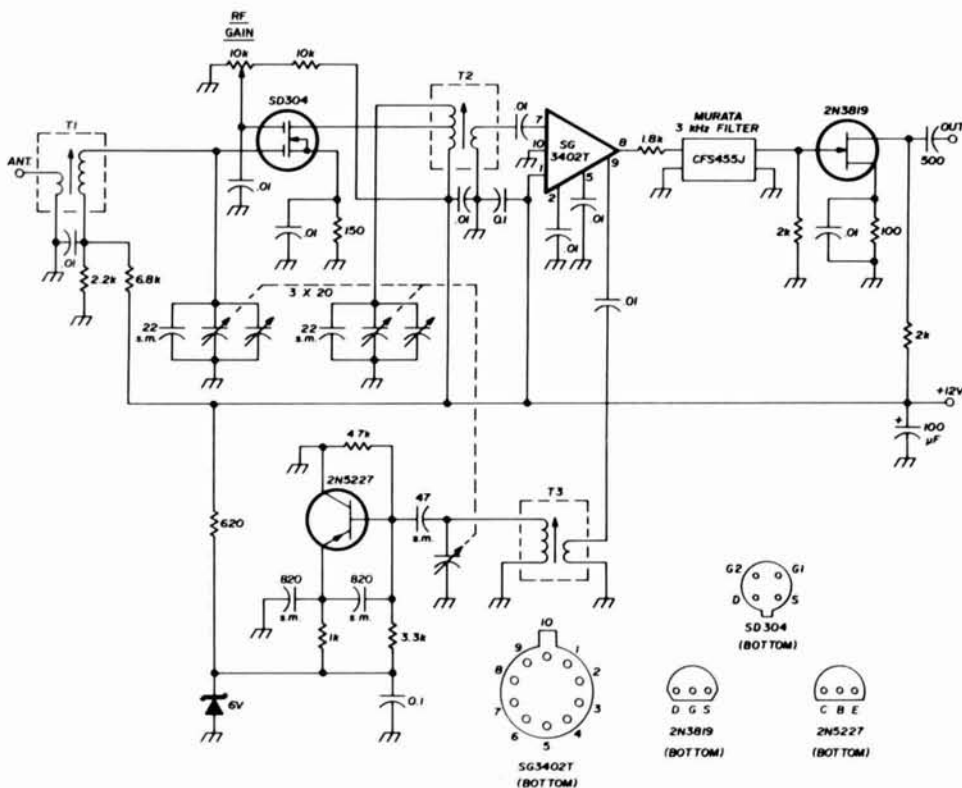


fig. 8. Circuit for an 80-meter tuner which incorporates a ceramic ladder filter. An additional i-f stage is provided to compensate for the insertion loss of the filter. Remove pin 6 on the SG3402T IC before installing it on the PC board. Transformer construction is illustrated in fig. 9. Printed-circuit layout is shown in fig. 10. All resistors are 1/4 watt, 5%.

has been modified for single supply operation.

In this circuit two op amps are used in the compressor and two more in the filter. Dual type N5558V units were used and any of the equivalents from other manufacturers may be substituted. An LM380 is once again used for the audio output stage. The i-f portion is the same as all previous LM373 configurations except for the SFD-455D filters. Since I used this assembly in conjunction with the tuner which incorporates the ladder filter, the other units were not required.

The trimmer resistor in the audio filter may be very simply adjusted for proper operation. First set the trimmer for maximum resistance by turning the adjusting screw counter-clockwise. Then turn the frequency control to the high end and set bandwidth to sharp. Hold your ears, turn on the power and flip the filter switch to in. The filter should take off with ear-shattering feedback. Start turning the resistance trimmer clockwise until oscillation ceases (add an additional half turn for good measure). Throw the filter switch back and forth a few times to see how stable things are and adjust the trimmer some

more if needed. The tuning range of the filter should cover from about 500 to 2000 Hz.

It should be pointed out that caution must be used when coupling into this assembly. Note that the i-f input goes directly to pin 2 of the LM373. A dc path must be avoided at this point to

of them. There is nothing sacred about any of the circuits so if you feel like sneaking a piece from one and adding it to another, it will give you a chance to practice your skill at laying out new circuit boards.

No tuning or adjustment procedures will be covered since it is assumed that

cabinet is 3x5x6 inches (76x127x152mm). The larger receiver uses the tuner, converter and i-f, audio filter and compressor board described above. It also has a built-in ac supply. Cabinet size is 3x6x7 inches (76x152x178mm).

All of the circuits operate from

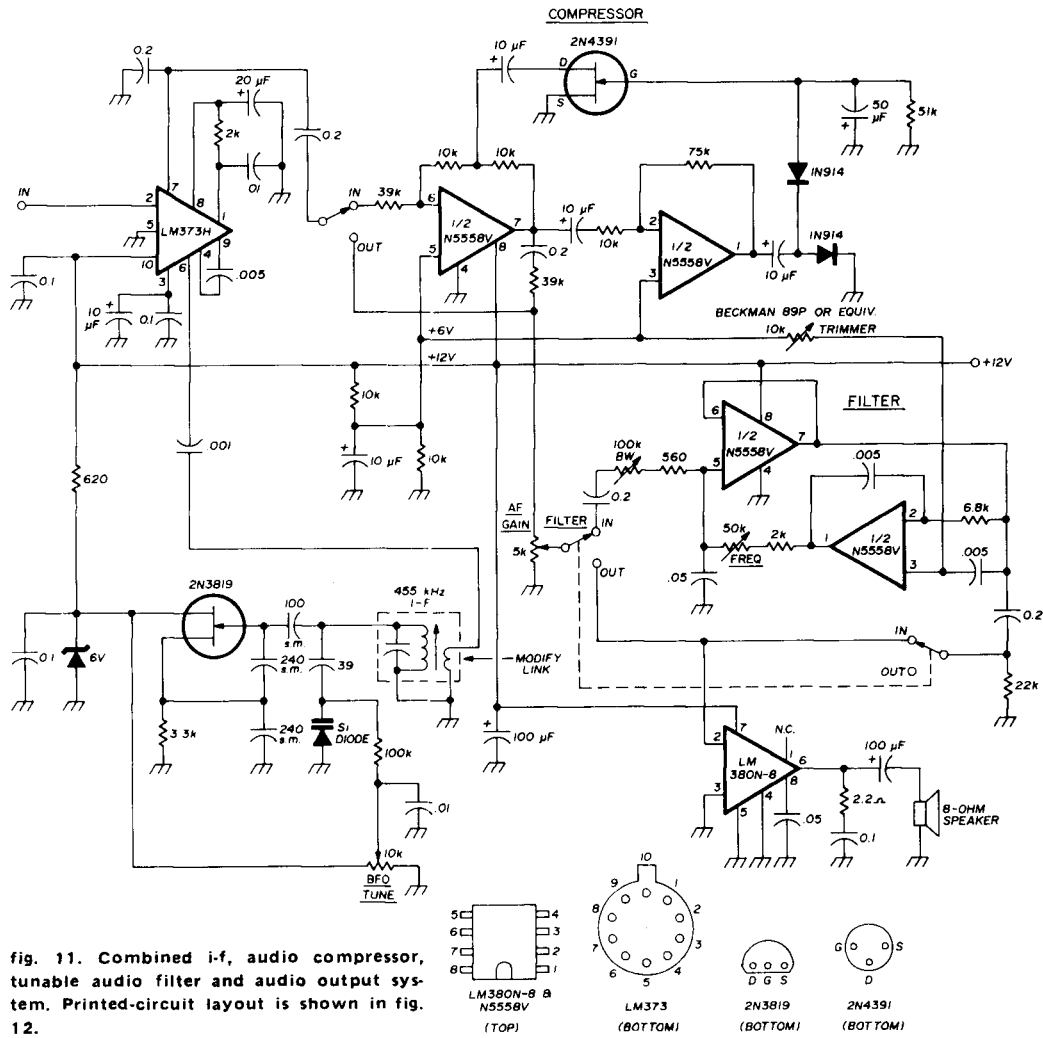


fig. 11. Combined i-f, audio compressor, tunable audio filter and audio output system. Printed-circuit layout is shown in fig. 12.

prevent damaging the LM373. When used with the 80-meter tuner described above, a coupling capacitor is provided on the tuner board to prevent shorting pin 2 to ground.

Printed-circuit layouts are provided here for all modules except the converter. This should make it easy to duplicate any of the assemblies. The main goal of this article, however, was to present the widest selection of proven and reliable circuits as possible in a single package so that the greatest number of readers could make use of at least one

of them. The average builder can accomplish that on his own.

The photos show the various printed-circuit assemblies which have been described plus two receivers built from some of this equipment. The smaller receiver uses a Mk II with the converter described here for five-band coverage. A small ac power supply is attached to the rear panel inside the receiver and a plug is provided for feeding in an external 12-volt dc source. A small speaker is mounted on the front panel to make the unit completely self-contained. The

12-volt supplies and function well down to 9 volts or up to about 14 volts. The Mk III, however, includes a regulator requiring a minimum of 10 volts for proper operation. The copper border around all the circuit boards is the common or supply negative and should be grounded.

With the exception of the board containing the audio filter, the only external components are operating controls. In the case of the audio filter a resistor and capacitor are wired point to point between the front-panel controls.

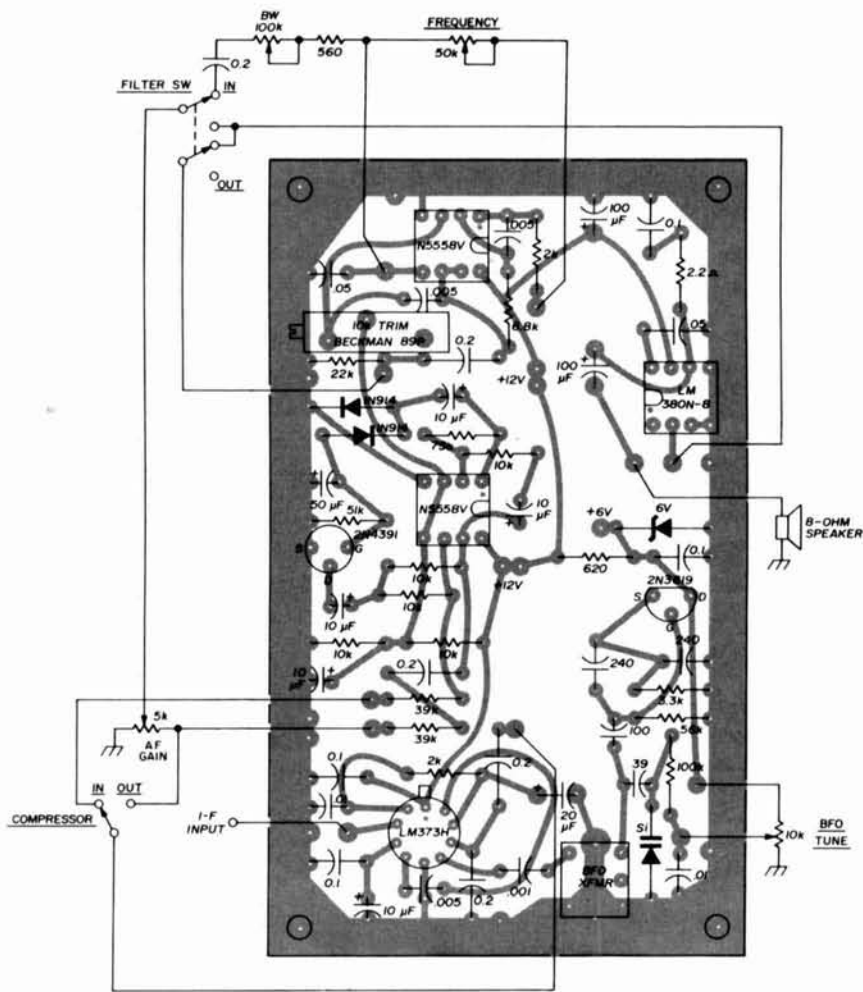


fig. 12. Printed-circuit layout for the combined i-f, audio compressor, audio filter and audio output system.

This saves the extra leads that would be required for going back and forth from the board for these two items.

Before concluding, I should say something regarding parts. Some substitution is possible since there is nothing special about a 2N5227, a 2N3819 or a 2N5223. The 40673 and 40841 can be interchanged but not with the Signetics SD304. The silver mica capacitors should be small case sizes in most instances to fit the PC layouts. The ceramic bypass and coupling capacitors should be small, low-voltage discs. These, as well as 1/4-watt resistors, are readily available and should present no procurement problems.

If you are interested in purchasing some of the more elusive components such as ICs, filters or whatever, drop me a line with a self-addressed, stamped envelope and advise what and how many you need. If there is sufficient demand for particular items, I'll try to obtain what is needed.

references

1. Ray Megirian, K4DHC, "Using The LM373," *73*, April, 1972, page 37.
2. Ray Megirian, K4DHC, "Miniaturized Communications Receiver," *ham radio*, September, 1974, page 24.
3. Ray Megirian, K4DHC, "Solid State Noise Blanker," *ham radio*, February, 1973, page 38.
4. Ray Megirian, K4DHC, "A Complete Audio Module," *ham radio*, June, 1973, page 18.

ham radio

missent ID

During intruder watching and observation of amateur signals, I've noticed a considerable number of RTTY transmissions that have ended with an inaccurately sent identification. In some cases, these IDs were repeated in the same incorrect manner on a later transmission. In one occurrence the signature was "W6MTMAI," but W6MTM doesn't have RTTY equipment. I recorded the audio signal on the mark side, then ran off an ink-line tape that clearly showed the five-letter call sign but with more than normal spacing between letters.

It appears that a local station had some rf getting into an IC identifier, causing problems. The operator bypassed the leads to the identification

unit, which cleared up the problem. It would be well for anyone using an IC device to send his call and get help to listen to the resulting ID. It should be sent on full power and on every band on which the device is used. Only in that way can one be sure that the call always is sent correctly.

Bill Conklin, K6KA

simple circuit replaces jack patch panel

Shown in fig. 1 is my solution to the ever-present phone jack patch panel used in amateur RTTY stations. I became tired of the conventional panel

with cords breaking, so after a little thought, I developed this circuit. The diodes provide the necessary isolation to allow the switch to select the loop desired for a particular piece of equipment.

Dr. Paul Lilly, K4STE

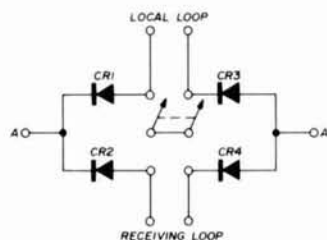


fig. 1. Simple jack patch panel replacement for RTTY stations. Diodes CR1-CR4 provide the necessary isolation, RTTY equipment (printer, keyboard, etc.) is connected to A terminals.

circuit design with the 741 op amp

The inexpensive
741 op amp IC is finding
extensive application
in electronics —
here are some tips
for using
this versatile device
in your own circuits

For several good reasons, the 741 operational amplifier is enjoying wide popularity among amateur circuit designers. It is inexpensive and readily available; several mail-order supply houses are currently selling them for about 35 cents each. The 741 requires no external frequency-compensation networks, and this significantly enhances the ease with which it may be used in circuit development. However, there are several facts about 741s which, if known and understood, can minimize surprises and make their use more predictable.

Those unfamiliar with op-amp theory are referred to a rather extensive article that previously appeared in *ham radio*.¹ That article covers general op-amp circuit design criteria as well as several specific applications. I will attempt here to concentrate on the peculiarities of the 741 and not duplicate material already presented.

The 741 op amp is available in several different packages, but the TO-5 metal can, much like a transistor with eight leads, and the plastic eight-pin minidip package seem to be the most popular. I prefer the minidip because it easily plugs into a dual-inline IC socket. Two 741s can be inserted in a 16-pin IC socket.

Fig. 1 shows the schematic symbol for the 741 op amp with appropriate power supply and null pot circuitry. The null pot is used to set the dc output voltage to zero in certain situations; however, in many circuits

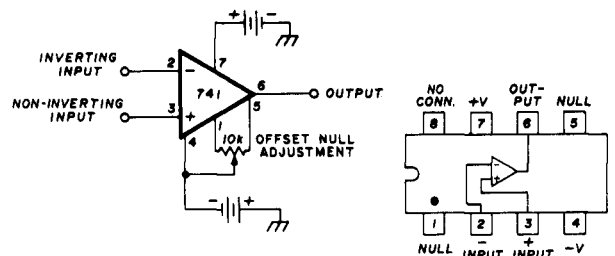


fig. 1. Schematic symbol for the 741 op amp showing power supply and null pot connections. Connections to popular 8-lead minidip package are also shown.

it's not necessary to use a null pot. When the null pot isn't needed, just leave pins 1 and 5 open. Fig. 1 also shows the pin numbering and identification for the 741 minidip when viewed from the top. Either a notch at one end of the package, or a dot in one corner are used to index the pin numbers. The +V and -V pins are for power supply connections.

The maximum rated power supply voltages for the commercial version of the 741 are plus and minus 18 volts, but lower voltages may be used. Two 9-volt batteries will do nicely, but higher supply voltages will permit a larger output signal swing. Current drain will depend on load resistance and output signal amplitude, because the output circuit of the 741 is a class B complementary emitter follower. Under zero-signal conditions,

By Courtney Hall, WA5SNZ, 7716 La Verdura Drive
Dallas, Texas

however, the quiescent power supply current should be about 1 mA or less.

dc offset problems

Since the 741 is a dc amplifier, any dc voltage which exists between the two input terminals will be multiplied by the gain of the amplifier and can result in a large dc offset at the amplifier's output. This offset prevents maximum linear output signal swing. In some cases, the dc offset can force the output to its limit, and no signal will appear at the output.

The two input terminals of the 741 are connected internally to the two base leads of a bipolar transistor differential amplifier, **fig. 2**. Therefore, some transistor base biasing current must flow through each input terminal of the 741. This input bias current can be as high

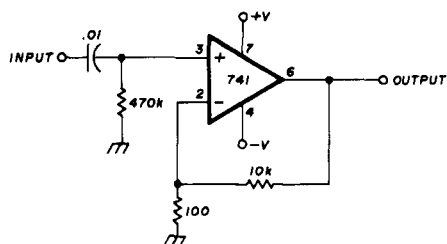


fig. 3. 741 op amp with feedback network selected for a gain of 100. Dc output offset of this circuit will be unacceptably high because the inputs see a large difference in resistance.

as $0.5 \mu\text{A}$ in the 741, but may be typically $0.1 \mu\text{A}$ or less. Ideally, the two input bias currents should be equal, but due to differences in transistors, they may differ by as much as 0.02 to $0.2 \mu\text{A}$. This difference in input bias current is called input offset current.

To see how this input bias current can effect output offset voltage, consider the circuit of **fig. 3**. This amplifier is designed to have a voltage gain of 100 and an

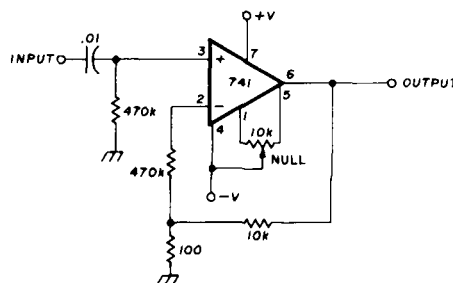


fig. 4. Both input terminals of this 741 circuit see about the same resistance, and output offset may be nulled to zero. Gain of the circuit is 100.

input resistance of 470k . Power supply and null circuits are omitted for clarity. Suppose the input bias current for both input terminals is $0.1 \mu\text{A}$. The voltage drop across the 470k resistor connected to pin 3 will be 47 mV . At pin 2, however, most of the input bias current will flow through the 100 ohm resistor, because that is the path of least resistance. The voltage drop caused by $0.1 \mu\text{A}$ flowing through 100 ohms is only $10 \mu\text{V}$, so the input bias current flowing through these resistors produces a dc voltage difference between pins 2 and 3 of nearly 47 mV . Since the gain of the amplifier is 100, the dc output level of the 741 will be 100 times 47 mV , or 4.7 volts under no-signal conditions. This is hardly a desirable situation.

The offset null adjustment pot (shown in **fig. 1**) can only compensate for about 15 mV , typically, of input offset, so it would be unable to correct for the 47 mV offset and bring the output level of the 741 back to zero.

To avoid such problems as this, it is good practice to arrange the circuitry so that each input terminal of the 741 sees approximately the same amount of resistance; this will minimize input offset due to input bias current.

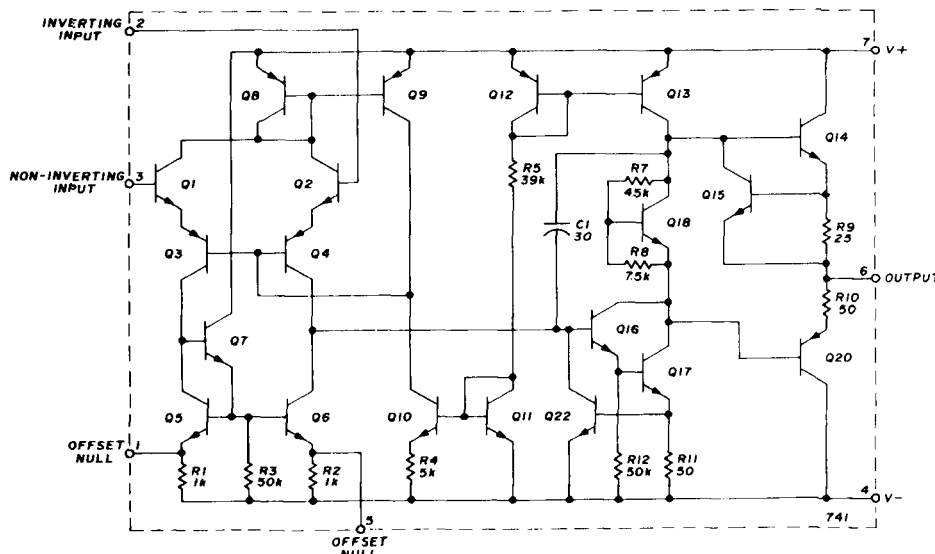


fig. 2. Internal circuitry of the 741 frequency-compensated operational amplifier.

Fig. 4 shows how a resistor may be added to accomplish this. With this circuit, the dc output level may be zeroed with the null pot, and voltage gain is still 100. Keeping all input resistors as small as possible also helps to reduce input offset, but when a high input resistance amplifier is needed, this is not feasible. In calculating the resistance that each input terminal sees, find the equivalent resistance that all the resistors connected to that input terminal would have if they were connected in parallel.

Another approach to the dc offset problem is to reduce the dc gain of the amplifier to unity while maintaining the ac gain at 100. Fig. 5 shows how to do this. Here the dc input offset due to input bias currents of $0.1 \mu\text{A}$ is 46 mV, but the dc gain of the amplifier is unity, so this will result in only 46 mV offset at the output. Such a small dc output level is insignificant in many cases, and the null pot would be omitted. The $5 \mu\text{F}$ capacitor should be a non-polarized type. Its value was selected to have a reactance of 100 ohms at 300 Hz, to produce a lower 3 dB cutoff point for the amplifier at this frequency.

bandwidth and slew rate

Fig. 6 shows a typical plot of the 741's open-loop voltage gain vs frequency. According to this graph, if

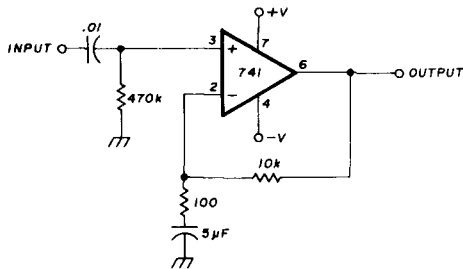


fig. 5. In this 741 circuit the dc gain has been reduced to 1.0, reducing offset problems, but ac gain is still 100.

you designed the feedback network so the op amp had a gain of one, the bandwidth would be 1 MHz. For a gain of 10, the bandwidth would be 100 kHz; with a gain of 100, the bandwidth would be 10 kHz, and so on. That's all well and good, but it's not the whole story when considering gain vs bandwidth tradeoffs.

Slew rate is another parameter of the 741 which requires consideration at the higher frequencies. It is a measure of how fast the output voltage can change; for the 741 it is typically 0.5 volt-per-microsecond. This means that if you design a 741 op amp circuit to have a voltage gain of one, its bandwidth will effectively be 1 MHz only if the signal level is kept small enough to comply with the slew rate limitation. Suppose you feed a 5-volt p-p sine wave signal into this gain-of-one amplifier and start increasing the frequency. At low frequencies, the output voltage would be 5 volts p-p, but by the time you get to 1 MHz, the output would be down to the order of 0.25 volt p-p. This is quite a drop with the input still at 5 volts p-p. Thus the bandwidth is effectively much less than 1 MHz, even though the gain

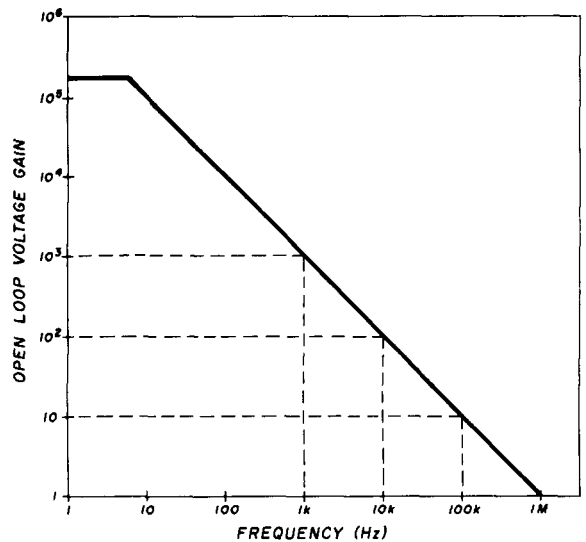


fig. 6. Open-loop frequency response of the 741 operational amplifier.

is only one. Moreover, the apparent bandwidth will be a function of how large a signal you use to measure the bandwidth!

Fig. 7 shows a typical curve of 741 output voltage swing as a function of frequency. Below 10 kHz, output swing is determined by power supply voltage; above 10 kHz, however, output voltage swing falls off rapidly due to slew rate limitations.

Of course, slew rate directly controls rise and fall time in non-linear applications. If the power supply is two 9-volt batteries, then the output of a 741 would typically be able to swing between -7 and +7 volts. At a slew rate of 0.5 volt-per-microsecond, it would take 28 microseconds to rise or fall between these two levels.

Simple audio amplification is the most obvious use for 741 op amps, and reference 1 covers most of the other applications which come to mind. Fig. 8 shows how simple gain blocks can be cascaded to provide any desired amount of gain. In order to obtain a 10 kHz bandwidth for each 741 op amp, its gain is set at 100, which is equivalent to 40 dB. When two amplifiers hav-

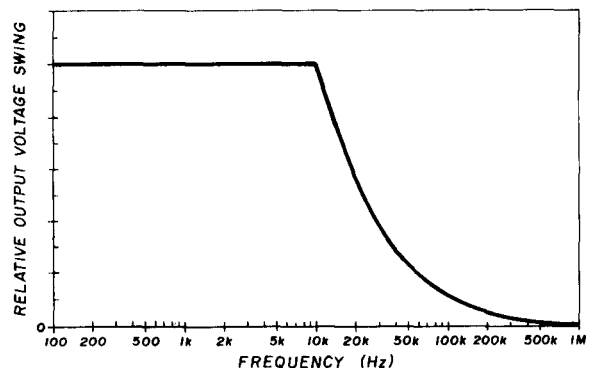


fig. 7. Output voltage swing of the 741 op amp falls off at higher frequencies due to slew rate limitations.

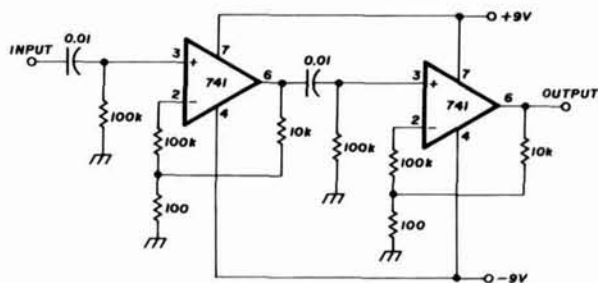


fig. 8. In this circuit two 741 op amps have been cascaded to provide 80 dB of audio gain with bandwidth of about 300 Hz to 6 kHz.

ing 10 kHz bandwidth are cascaded, the overall bandwidth drops to about 6.4 kHz; bandwidth of three stages would be 5.1 kHz. Null pots are not used as the dc output of each amplifier is typically less than 1.0 volt. Capacitor coupling should be used between each stage, however, to prevent the dc offset of the first amplifier from being amplified by the second.

If volume requirements are not too great, 741 op amps will drive a speaker at a comfortable room level. Fig. 9 shows a simple means of matching the output of the 741 to an 8-ohm speaker. If the peak-to-peak audio swing at the output of the 741 is 12 volts, the power into the primary of the output transformer will be about 36 mW. With larger, more efficient speakers, this is adequate for many applications. The 1.0 μ F output coupling capacitor provides low-frequency cutoff of about 300 Hz. This capacitor should be a non-polarized type.

conclusions

One ground rule for using 741 op amps is to make both input terminals see the same amount of dc resistance. Another is that audio bandwidths for voice communication require that each 741 op amp stage have a gain not much more than 40 dB. Also, don't expect much output signal swing above 10 to 30 kHz.

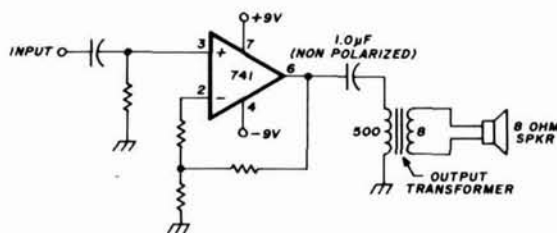


fig. 9. Method of coupling a 741 op amp to a speaker for applications where moderate speaker volume is required.

The 741 op amp is inexpensive, readily available, and easy to use, but, like everything else, it has its limitations. Knowing these limitations will help you decide when and where to use it.

reference

1. Donald Nelson, WB2EGZ, "Operational Amplifiers," *ham radio*, November, 1969, page 6.

ham radio

WHY WASTE WATTS?



SWR-1 guards against power loss for \$21.95*

If you're not pumping out all the power you're paying for, our little SWR-1 combination power meter and SWR bridge will tell you so. You read forward and reflected power simultaneously, up to 1000 watts RF and 1:1 to infinity VSWR at 3.5 to 150 MHz.

Got it all tuned up? Keep it that way with SWR-1. You can leave it right in your antenna circuit.

SWAN[®]
ELECTRONICS
A subsidiary of Cubic Corporation

305 Airport Road, Oceanside, CA 92054
(714) 757-7525

*FOB Oceanside, California

corner-fed loop antenna for low-frequency dx

Design data
for a
triangular loop
antenna covering
80 through 10 meters

For those amateurs who can't erect a beam antenna for one reason or another, a triangular-shaped wire antenna provides a fair compromise. On these pages you'll find details of such an antenna that has given a good account of itself on all the high-frequency bands. It requires little more space than an inverted vee. However, the antenna does require some means of support that is at least 70 feet (21.3m) high. Advantages of the antenna are:

- A. Feedline can be coax cable, TV twin lead, or open wire line.
- B. Only one support is needed.

C. Vertical radiation angle seems to be quite low, which is needed for DX work.

D. Results on all bands (except 160 meters) appear to be better for long-haul DX than with the sloping dipole, or inverted vee, which is band limited.

triangular antennas

Several triangular wire antennas have been described.^{1,2} These are single-band antennas that are variations of the full-wavelength loop. Such antennas, when mounted vertically and excited at the center with second and other even-harmonic energy, radiate straight up -- not the best for DX work.

G3AQC conducted tests of loop antennas close to ground using vhf modeling techniques.³ He found that full-wave quad and delta loops mounted in the vertical plane with their highest points one-quarter wavelength above the ground, fed symmetrically with the feed point halfway along the base or at the apex, produced high-angle, horizontally polarized radiation and showed little superiority over a simple dipole or inverted vee at one-quarter wavelength height. These configurations are shown in fig. 1.

If a delta loop is inverted so that it has a flat top and its apex points down, as in fig. 2, a low-angle, vertically polarized lobe appears, which is omnidirectional in the horizontal plane. G3AQC gives details of a practical antenna of this type, which is said to perform well on all bands from 80 to 10 meters and to have a radiation resistance of around 200 ohms.

corner-fed loop

Even more interesting is the result obtained when a delta loop is fed at one end of the horizontal section, as

By Barry Kirkwood, ZL1BN, 11 Bromley Place, Auckland 6, New Zealand

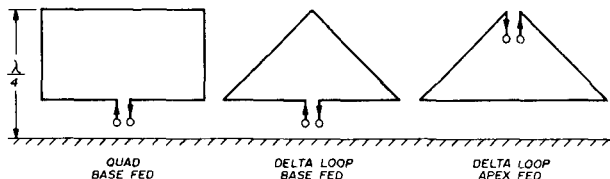
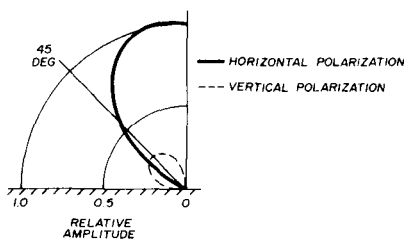


fig. 1. Full-wave loops close to ground. Radiation pattern is little different from a dipole at 1/2 wavelength above ground.

in fig. 3. In this case the horizontally polarized radiation is suppressed. The signal is concentrated into low-angle, vertically polarized radiation. The radiation patterns are much the same for both upright and inverted loops; hence the upright delta loop seemed to be the configuration of choice since it required only a single supporting mast.

G3AQC gave no information on the performance of such an antenna on harmonic frequencies. Since the configuration looked attractive, I decided to try such a loop (270 feet, or 82.3m overall) as an all-band antenna.

A triangular 275-foot (83.6m) loop of insulated hookup wire was erected with the apex at 70 feet (21.3m), and the corners of the base were suspended by insulated cords to nearby trees at 15 feet (4.6m). The droop of the base section was within 10 feet (3m) of ground level at the lowest point, which was directly below the apex. Using a simple rf bridge, the length of wire in the loop was adjusted for resonance slightly above 3.5 MHz, where the radiation resistance was 65 ohms. On

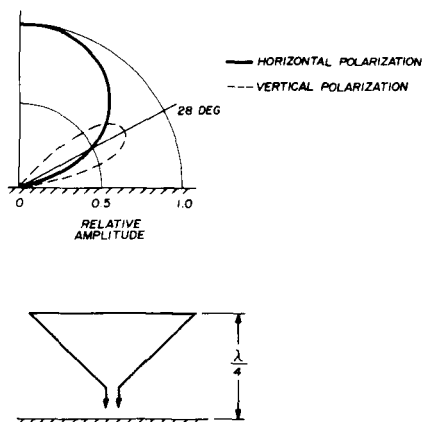


fig. 2. Inverted delta loop at 1/4 wavelength above ground showing vertical radiation pattern in the plane of the loop. Note the low-angle vertical lobe. (After G3AQC.)

the second harmonic (resonance in the 7-MHz band), radiation resistance was about 200 ohms and increased slightly on the higher bands, approaching 300 ohms on 28 MHz.

feed system

The antenna was fed with 300-ohm line. An antenna coupler of the Z-Match type was used to couple the line to the transmitter, as in fig. 4. The side of the line connected to the base of the antenna loop was grounded at the antenna tuner, mainly for lightning protection. (Little or no discernible change occurred in loading or performance on transmit or receive with the ground connection on or off.)

G3AQC states that this antenna is fundamentally unbalanced. If it is fed with coax line, the braid should be attached to the horizontal leg of the antenna.

The antenna can be fed with coaxial cable, twin lead, or open-wire line with minimal loss and moderate impe-

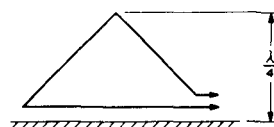
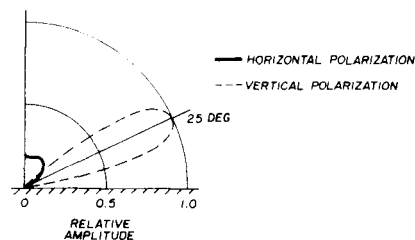


fig. 3. Delta loop, corner fed, showing low-angle, vertically polarized radiation.

dances occurring at the transmitter end of the line. An antenna coupler is recommended, not only for improved efficiency and harmonic reduction but to prevent out-of-band signals from overloading the receiver.

evaluation

Antenna evaluation is difficult because of the variables involved. The task is even more difficult because of the patchy band conditions that have prevailed since the loop was erected. The antenna is located on a typical suburban site, which is cluttered with buildings, small trees, and power lines. A low ridge is between my station and the major DX propagation paths: northwest to Europe and northeast to North America. Comparative results with other amateurs in Auckland when using other antennas at ZL1BN indicate that the location is only fair for DX on these paths, although it is quite good on the long path to Europe. The antenna is oriented along a line 110-290 degrees true, which puts it end-on to Rome and Lima and broadside to Alaska and South Africa.

On 80 meters, DX seems at least as good as with an inverted vee at the same apex height. Too few DX openings have occurred to evaluate directivity, although theoretically directivity should be almost omnidirectional on the long haul. At intermediate ranges, out to about 3000 miles (4800 km) the loop is clearly superior to anything ever used at this station.

On 40 meters performance appears superior to a ground plane used previously. Exceptionally good reports have been received both from Europe and the USA, especially under marginal conditions, which indicates that low angle propagation exists both broadside and end-on on this band.

Reports from South America have been good, but it's

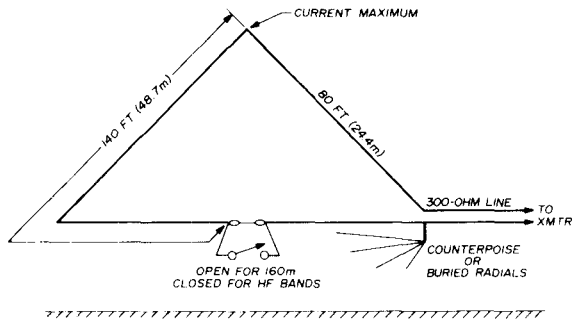


fig. 5. Possible conversion of loop for 160-meter DX operation. Counterpoise or buried radial system should be as extensive as possible. Fanout of ground system below antenna will assist operation on all bands.

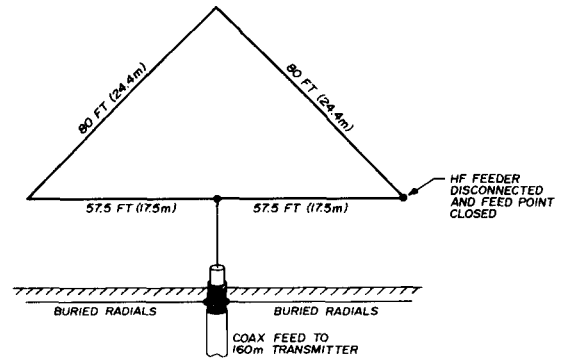
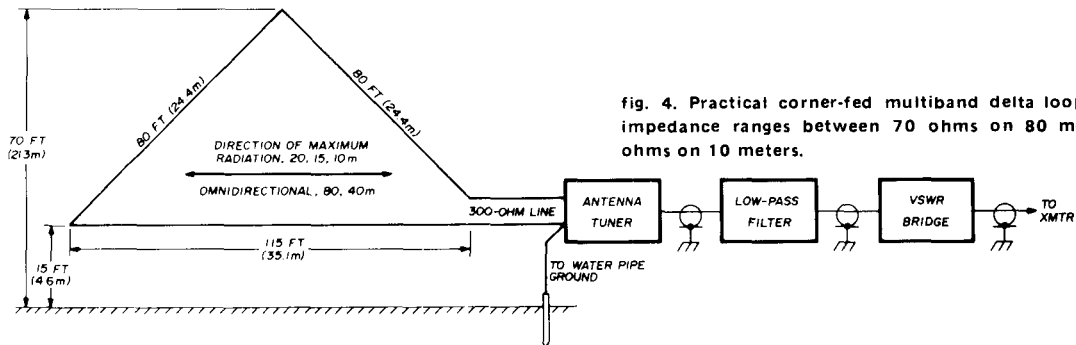


fig. 6. Possible conversion of loop to a vertical monopole radiator for 160 meters.

top band

No attempt has been made to try the loop on 160 meters. If the loop were opened opposite the feed point, it would resonate as a dipole on that band, but results would not be good, since the current point would be close to the ground. It might be better to open the horizontal leg of the loop so that the current point would be at the apex, and the other side of the feeder could be connected to a radial or counterpoise ground, as shown in fig. 5.

Another possibility might be to feed the lower geometric center with a single wire and work it against

possible that radiation is better in the direction away from the point of connection of the feedline. Signal strengths from the loop run about 3 dB below antennas of nearby amateurs using Yagis at 40 to 60 feet (12-18m) above ground. Signals are weaker broadside to the plane of the antenna. The answer might be to suspend a bisquare array or quad loop for 20 meters in the plane of the big loop. This combination could give good coverage on 20 meters and would be inexpensive and easy to install.

Poor band conditions have prevented an adequate evaluation of performance on 21 and 28 MHz. The relatively few contacts made indicate that the pattern is similar to that on 14 MHz with broad lobes off the ends of the loop and nulls on the sides.

fig. 4. Practical corner-fed multiband delta loop. Feedpoint impedance ranges between 70 ohms on 80 meters to 300 ohms on 10 meters.

ground (fig. 6). According to Krause⁴ a half-wave loop fed in this way should show true resonance as a vertical quarter-wave antenna against ground without loading coils. All such experiments can be carried out at ground level.

references

1. Edward Noll, W3FQJ, "Triangle Antennas," *ham radio*, August, 1971, page 52.
2. Pat Hawker, G3VA, "Multiband Loops and Quads," *Radio Communication*, February, 1973, page 100.
3. L. V. Mayhead, G3AQC, "Loop Aerials Close to Ground," *Radio Communication*, May, 1974, page 100.
4. John D. Krause, W8JK, *Antennas*, McGraw-Hill Publishing Company, New York, 1951.

ALPHA POWER...

Alpha Power—Linears designed for toughest amateur and commercial service

Alpha Power—Continuous duty at full ratings, even on FSK and SSTV

Alpha Power—Modern design for unequalled operating ease and versatility

Alpha Power—Contest-rugged, self-contained desk-top convenience

Alpha Power—An investment in long-term performance and enjoyment

...that's Alpha Power!

Choose one of these superb Alphas to match your interest and budget...

THE ULTIMATE—ALPHA 77D

- Extra robust, super deluxe
- 160 through 10 meter coverage
- 8877 Eimac ceramic triode



- Vacuum tuning & T/R relays
- Full break-in (QSK) system
- Whisper-quiet cooling

NO-TUNE-UP—ALPHA 374

- Bandpass and manual tuning
- 80 through 10 meters
- Maximum legal SSB power
- Full average KW DC, all modes



- 8874 Eimac ceramic triodes
- One cubic foot, 52 lbs.
- User-proven dependability

PRACTICAL POWER—ALPHA 76

- 160 through 10 meters standard
- Two plus kilowatts PEP SSB
- Full average KW DC, all modes



- Two 8874 Eimac triodes
- Maximum performance per dollar

Call or write ETO for illustrated literature, price and delivery information. Commercial and military users are invited to contact the factory for details of models 74C, 76C, and 77S.



**Ehrhorn Technological Operations, Inc.
Brooksville, Florida 33512 (904) 796-1428**

1929 - 1941 the golden years of amateur radio

An informal review
of the technical aspects
of yesterday
that form the basis
of modern
communications technology

Once upon a time, in an era seen through an opaque veil of memory, there existed a Golden Age of amateur radio. Forged in the boom-and-bust year of 1929, the period ran until December 7, 1941, when amateur radio was closed down "for the duration".

These dozen years encapsulated important technical developments that form the basis of amateur radio today. The period opened with the demise of the battery-operated radio and closed with amateur radio into the developmental stages of vhf fm techniques, single sideband, double-conversion receivers and high-gain beam antennas. It was a period of confusion and technical

advancement, with the shadows of the great depression and the coming World War always in the background.

It was during the Golden Years that the amateur population of the United States exploded (fig. 1). The number of amateurs jumped from 16,829 in 1929 to 54,502 in 1941, the greatest growth being in the years between 1929 and 1934. Before 1929, the American public was bemused by radio broadcasting, which reached the proportions of a craze. New radio stations were coming on the air daily, battery receivers and do-it-yourself kits were popular, and the general public adopted the new sport of radio listening much in the manner of later fads such as miniature golf and the hula hoop. However, by 1929 the broadcast craze was over. The battery radio had given way to the ac operated receiver, which was rapidly becoming a piece of household furniture instead of a seven-day wonder, and commercial broadcasting was a way of life. Until then amateur radio had been overshadowed in the public eye by broadcast listening (an immensely larger hobby) and had remained an esoteric retreat for a few dedicated individuals and eccentrics -- a compact group shielded from the general public by their reticence, and by a widespread interest in broadcast reception.

Gradually the general public became aware of short-wave radio, due partly to the publicity given radio amateurs who pioneered the advance into the shorter wavelengths and led the way on long-distance, high-frequency communications. About the same time, international short-wave broadcasting was started by a few pioneering stations and the American public was thrilled to hear the sounds of Big Ben in London rebroadcast across the country via a transatlantic short-wave relay.

By Bill Orr, W6SAI, EIMAC Division of Varian, San Carlos, California 94070

At the depth of the great depression in 1932, with over one-third of the work force unemployed, young men with idle time on their hands discovered amateur radio and the exciting short waves. Almost overnight short-wave listening and amateur radio caught the public eye and boomed. Short-wave reception, a quick fad, was featured in weekly newspaper columns and the new radios of 1933, in their pristine cathedral-shaped cabinets, boasted at least one short-wave band on their multi-colored dials.

the radio amateur of 1930

The radio ham of 1930, probably unemployed, with little money and plenty of spare time, faced the serious problem of getting on the air at little or no cost to his flat wallet. His technical background was that of a high-school graduate, or a graduate of an electrical correspondence or trade school. Only a small percentage of amateurs were college engineering graduates. Many of the older radio amateurs, of course, worked in the radio industry or in broadcasting, but the just-licensed amateur did not seem to follow the pattern set by his elders.

The task of assembling a ham station was formidable. While many radio stores existed — many more than today — credit was unknown and all purchases were for cash. The price of components and equipment was start-

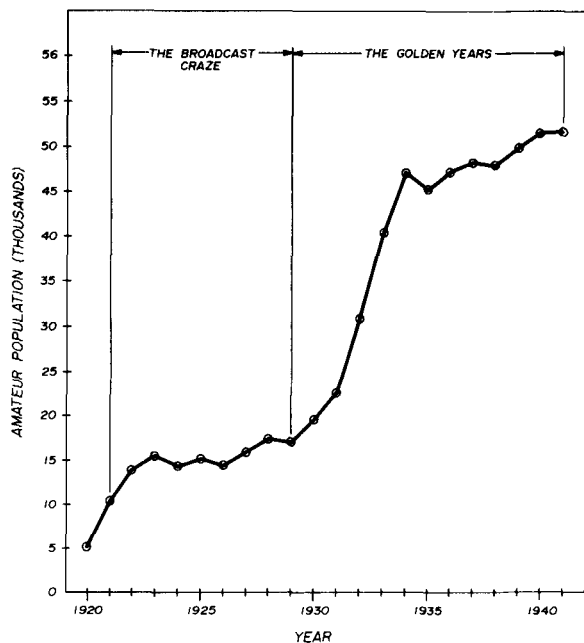
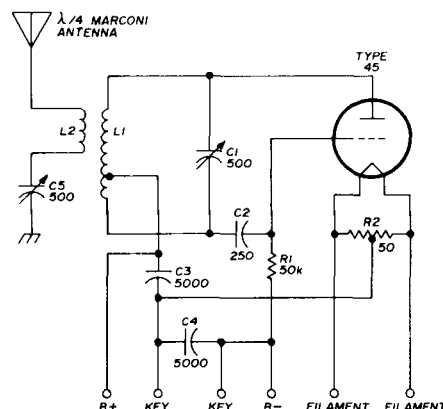


fig. 1. Amateur radio experienced five years of explosive growth between 1929 and 1934, the "population" going from 17000 to 47000. This was due, in part, to the end of the broadcast craze and the introduction of the ac-operated, entertainment broadcast radio. All through the 1920s the American public had a love affair with broadcasting and building broadcast receivers was a popular pastime. When the great depression arrived in 1929 many young men found themselves unemployed with plenty of time on their hands. Short-wave radio provided the next great interest, and amateur radio grew accordingly. By the start of World War II, the U.S. amateur population stood at about 53000.

lingly high considering the state of the economy. A high school graduate would be pleased to get a job paying \$5 a week for 50 hours of work, and radio technicians, on the average, earned from \$20 to \$30 a week. Most radio components and tubes, however, cost more in 1930 than their modern counterparts do today! It was not until



- C1,C5 500 pF variable (Cardwell)
- C2 250 pF mica
- C3,C4 5000 pF mica
- L1 10 turns no. 12 (2mm) enamelled wire on 2-1/8" (5.4cm) diameter bakelite form. Winding length is 2 1/2" (6.4cm)
- L2 Same as L1. Adjust spacing between coils for proper coupling
- R1 50k, 2-watt IRC metallized resistor
- R2 50-ohm wirewound resistor, center tapped

fig. 2. The series-fed Hartley oscillator. Operating in the 80-meter band with a plate supply of 300 volts, this transmitter provides a 7-watt signal. In addition to the components listed above, also needed are five Fahnestock clips, a 4-prong tube socket, and two brown "beehive" insulators to support the coil. Antenna is connected to a series-tuned circuit which is inductively coupled to the oscillator coil.

about 1934, when the radio industry geared up for large scale production of inexpensive household radios, that the cost of components dropped sharply.

Nevertheless, the newcomer was not without sources of radio parts. He scrounged from his friends, haunted the dusty back room of the local radio repair shop for castaway battery receivers, and took an occasional trip to the "radio row" of the nearest big town. With a free, broken-down battery receiver, a few used tubes and a cheap B-eliminator power supply he was ready to build his station and get on the air. Many of today's old timers remember this adventure well. This is the story of how it was done, and the results.

1930 beginner's transmitter

The development of the amateur receiver will be discussed at a later date, but here we'll concentrate on a representative beginner's transmitter of the early 1930s. One or two basic circuits were widely popular at that time, circuits that were easy and inexpensive to build

and sure-fire in operation. Both were single tube, oscillator-style transmitters.

The transmitter was designed around available parts and a good starting point was the readily obtainable, defunct battery receiver of the late twenties. During the lean years of the early 1930s the great majority of amateurs worked CW with a power input of 50 watts or less

One of the most popular transmitter circuits of the time that was passed hand-to-hand among the newer amateurs was the simple series-fed Hartley oscillator, a simple one-tube transmitter that worked well with many of the triode receiving tubes then available for a few cents (fig. 2). The whole transmitter used only one tube and eight parts including the tube socket! This rugged

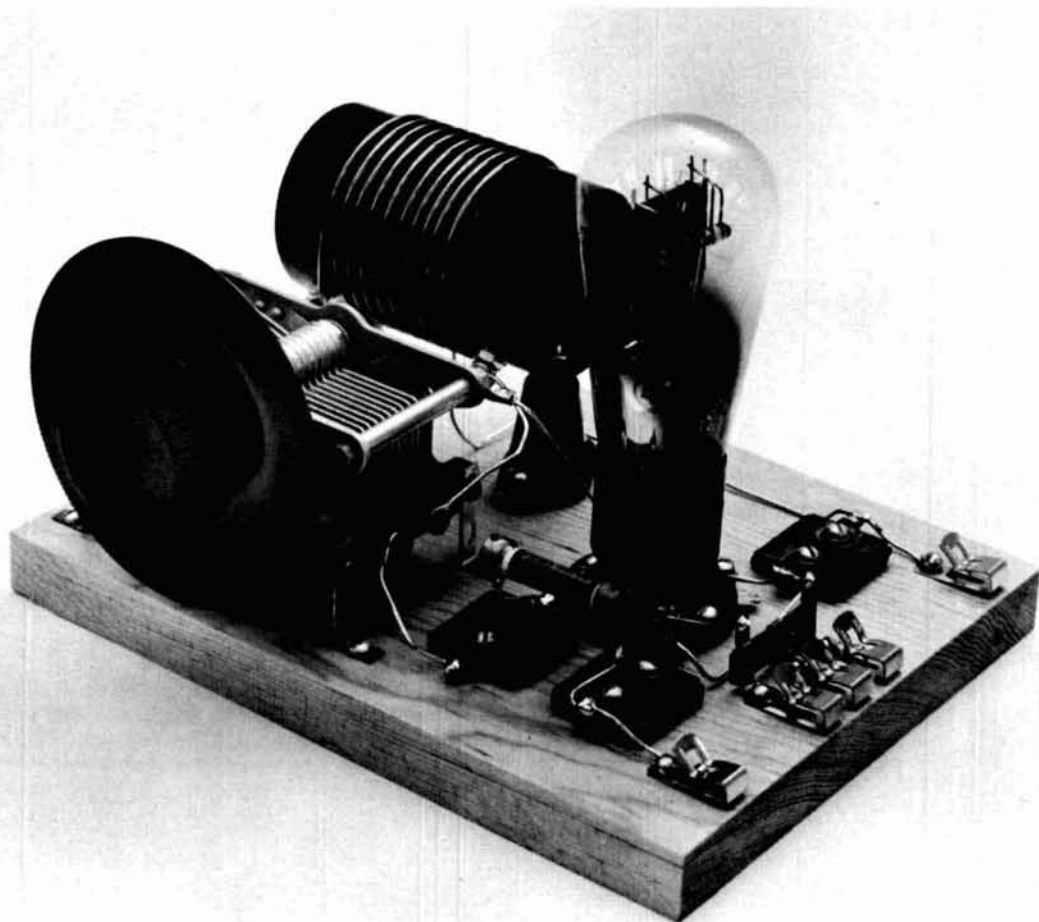


fig. 3. The way it was done in 1930. Using a single 45 tube, this little transmitter gives a good amount of itself in 1976. Built of parts taken from a defunct battery receiver, the Hartley transmitter cost little or nothing to build. High-C circuit provides good stability and when run from a regulated 300-volt power supply, the rig provides a good 1976-style signal. A 160-meter version of this transmitter is shown in the May, 1932 issue of *QST*.

and many amateurs enjoyed operating with a power level of only 5 or 10 watts. With luck, then, a beginner could join this group and have a lot of fun. The old battery receiver could be torn down for parts, and it was easy to buy a second-hand B-eliminator power supply that, for a dollar or less, would provide about 180 volts at 40 milliamperes. That would suffice for a 5-watt transmitter and a lot of amateur stations all across the U.S. could be worked with that power and a good antenna!

For a few more dollars a 300-volt power supply could be assembled from junk parts to provide the amateur with a *real* transmitter — upwards of 20 watts input. The possibilities were limitless!

and reliable circuit used inductive feedback coupling between the grid and plate of the tube to sustain oscillation. A very high-C tuned tank circuit minimized the effect of capacitance changes and provided dynamic stability to the oscillator. The simple components were firmly screwed to a heavy board which was isolated from the operating table so that any vibration caused by manipulation of the key would not be imparted to the oscillator. When run from a power supply that had reasonably good regulation, and used with a taut antenna that did not swing in the wind, the little transmitter sounded as good (or better) than some of today's more sophisticated equipment.

A re-creation of the famous 1930s Hartley transmitter is shown in the photograph of **fig. 3**. Built in 1976 with hard-to-find 1930 components, this rig has been on the air and has been used to work a number of stations on 80-meter CW. Using a 245 triode at 300 volts and 50 milliamperes plate current (15 watts input), the transmitter puts out a solid 7 watts with good stability. The 245 was a popular tube because it could often be obtained free, for a few cents used, or as a manufacturer's "second" for 39 cents.

A *Cardwell* receiving-type variable capacitor is used, and the tank coil is wound on a genuine bakelite form. The bypass capacitors are uncased mica units, rugged and reliable, but already going out of style as bakelite-cased capacitors came into vogue in 1930. Time to assemble and test the transmitter is about three hours, including giving the "breadboard" a coat of shellac.

The transmitter is keyed in the filament return circuit. Since no waveshaping is included, the keying is *hard* so the resultant waveform may distress a nearby amateur who is operating close to the frequency of the midget transmitter. Any attempt to include a keying filter should be approached with caution as softening of the keying tends to place a "yoop" on the signal. A slight amount of filtering, however, can be used to advantage without disturbing the crystal-like note of the transmitter.

The rf plate impedance of the 245 oscillator is about 3000 ohms. The L/C ratio of the plate tank circuit provides a Q of about 30. The circulating current in the tank circuit, therefore, runs about 6 amperes. The tank coil and leads to the variable capacitor are made with number-12 (2mm) wire to carry this amount of current. The oscillator runs well into the class-C region as the rms grid voltage is close to 140 volts. The μ of the 245 is 3.5 so a cutoff voltage of about 85 volts is required at a plate potential of 300 volts.

The simplest antenna for the little transmitter is a 66-foot (20m) end-fed Marconi, working against ground. A series-tuned circuit, consisting of a coil and capacitor (whose values are approximately the same as those in the main tank circuit) can be used. Alternatively, the same series-tuned circuit can be used to match into a coaxial feed system for a dipole or inverted-V antenna. At W6SAI, a simple 66-foot (20m) wire is used for contacts up and down the West Coast.

transmitter power supply

A bonanza existed for the penny-pinching 1930's amateur in the flood of obsolete B-eliminator power supplies which were rendered useless by the advent of ac operated broadcast receivers. These units provided up to 180 volts dc at 30 to 50 milliamperes and were intended as a replacement for the messy and short-lived B-battery.

Reaching the market in quantity about 1926, the B-eliminator solved the rectifier problem by side-stepping the vacuum diode, going instead to a unique gas rectifier which required no filament. The *B-H tube*, designed and manufactured by the Raytheon Company was the

answer, and multitudes of these tubes were available to the 1930 amateur for as little as five cents apiece in the storage bins on radio row (**fig. 4**).

The B-H tube operated on the principle of electron conduction in a gas. Basically, when a potential difference exists between two cool metallic surfaces separated by a gas, the few free electrons in the gas move toward the positive (anode) terminal at a rate which is depend-

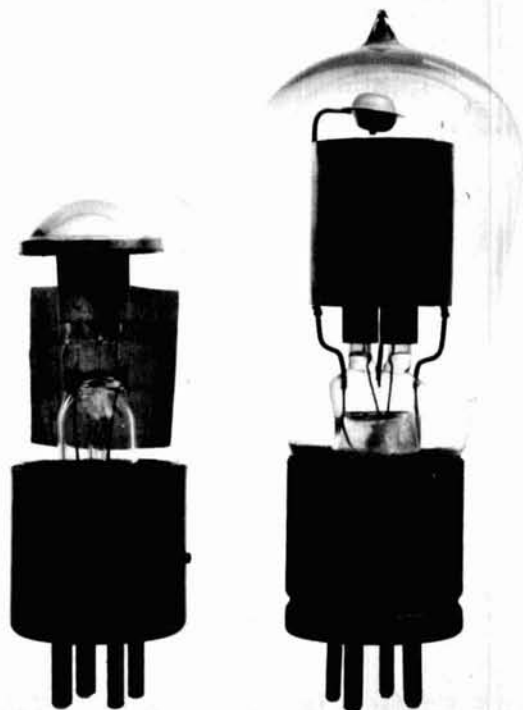


fig. 4. An early full-wave rectifier: the Raytheon BH tube. Designed for B-eliminator service, the BH tube provided up to 180 volts dc at a maximum current of 50 milliamperes. A late production BH tube is shown at left, with an early, brass-based predecessor, the B tube at right (the H standing for "heavy duty"). The larger B tube was rated at 30 milliamperes. Both tubes were gas types with no filament. Shortly after the BH tube was designed it was made obsolete by the 280 (later type 80) vacuum rectifier.

ent upon the potential gradient. As the gap is decreased, the gradient is increased to a point at which the electrons attain sufficient velocity to knock an electron off a gas molecule, thus multiplying the number of negative particles. The gas now becomes a conductor.

When one electrode is larger than the other, the current will flow from the large electrode to the small one, and when one electrode is point-size, the current flow is practically unidirectional. This means that the anode must be very small in size compared to the cathode and, unfortunately, the anode dissipation is high per unit area. As a result anode material and insulation assume critical proportions.

The problem of building a gas rectifier tube that would work, and deliver reasonable life, was finally solved by a research team under the direction of Dr. Vannevar Bush at the Massachusetts Institute of Technology in 1924.* A special, heat-treated alloy was used for two pin-point anodes, which were surrounded by the larger cathode (fig. 5). The "short-path principle" was

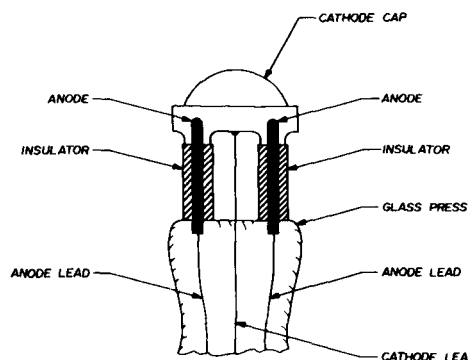


fig. 5. Interior of the BH gas rectifier. In a gaseous atmosphere electrons flow between two conducting points. If one electrode is larger than the other, the current flows from the large electrode (negative) to the small electrode (positive). With a point-type anode the reverse current flow is very small but anode dissipation is severely limited by the small area of dissipation. The "short-path" principle (discussed in text) is used to insure that electrons strike the tips of the anodes. Special, high-temperature lava insulators are used to insulate the tips from the cathode "hat" and glass press.

used to provide a good insulating ring between the anodes and the cathode. This postulate states that a rarefied gas is an insulator between two areas in close proximity if other *points* exist in greater proximity. Thus, to provide a good insulating ring around the anodes and the cathode, the hat-shaped cathode was shaped so as to completely pass around the cathode supports to utilize the "short path" principle as an insulator. Since the discharge cannot pass between the areas in close proximity, only the points of the anodes are struck by the electrons, leaving the insulating material far enough away from the anode heat and the possible disintegrating effect of high temperature. A complete description of the BH tube appeared in the November, 1925, issue of *QST*.¹

Viewing those days from these days, it is difficult to see why *this round-about approach* was taken to develop a full-wave rectifier as diode conduction had been known for many years and various companies were manufacturing vacuum diodes as rectifiers for telephone equipment.

*The BH tube was developed from pioneering work in the field of gas conduction done in 1916 by Charles G. Smith of Raytheon, aided by J. A. Spencer and M. Andre of *La Radio Technique* of Paris, France. By 1926 more than twenty companies in the United States were licensed by Raytheon to manufacture B-eliminator units using the BH tube.

A logical guess is that a patent problem existed in this area. Looking back, it appears that oxide-coated filaments were generally used by the Western Electric Company and thoriated tungsten filaments were used by RCA and their licensees. Since, by agreement, the Western Electric Company was not in the home-entertainment radio business, the possibility exists that the oxide-coated filament was denied RCA and one of the licensees (Raytheon) turned to the gas tube as the only alternative.

Regardless of the actual reasons, technical or otherwise, the first ac power supplies sold to the general public in large quantities used the Raytheon B-H tube and these, in turn, were obsoleted by the double diode, oxide-coated filament 280 rectifier tube which shortly became available through some mysterious inner workings of the infant entertainment electronics industry.

on the air

And so the amateur newcomer was finally on the air! The receiver, a two-stage job using a 201A detector and 201A audio amplifier, was also built from a defunct battery receiver and could be run from the same B-eliminator as the transmitter. An old automobile storage battery provided the filament power. Sometimes a pair of 199 tubes would be used in place of the 201As — then a no. 6 dry battery would suffice for filament power. With luck the whole station could be assembled for less than five dollars.

The results? Since most amateurs ran low power in those days, the 7-watt transmitter provided a good, workable signal. Looking back through old copies of *QST* reveals that many amateurs, with a transmitter of this type, worked hundreds of stations on 80 meters including contacts with Canada, Mexico and Alaska. Several W6 stations maintained schedules with New Zealand on 80 meters using 10-watt transmitters of this same general type. Some adventurous amateurs put the little Hartley transmitter on 40 and 20 meters and worked real DX, but the problem of drift and stability became onerous at those frequencies.

Building and operating a transmitter of this type is an adventure in itself: the search for authentic parts, the assembly and test, and on-the-air operation. When you tell a station you're working about the transmitter the usual reaction is one of amazement — amazement that such results can be obtained with such simple equipment. When you work an old-timer who remembers the little Hartley the reunion is dramatic and brings back a flood of memories.

So hats off and a silent salute to the beginning amateurs of yesterday, many of whom used the little Hartley, and many of whom are the engineers, innovators and industry leaders of today.

reference

1. Miles Pennybacker, "The Raytheon Rectifier," *QST*, November, 1925, page 38.

ham radio

KLM exclusive

2-way channel scan

plus 23 fixed channels



Now ... continuous, sequential monitoring of your favorite four repeaters or fixed/mobile stations ... safely conveniently ... eyes on the road.

Four channel scanning **both** receive **and** transmit. A transmit control crystal, selected for simplex or repeater duplex as required, switches with each electronically-scanned position. Just flip the

"manual" toggle and break in.

In **addition** ... both **Multi-11** and **U-11** also give you 23 switchable, crystal controlled transmit and receive channels.

Compare prices, operating features (many exclusive) of either transceiver with any other available. You'll find the KLM feature-per-dollar ratio very hard to beat.

- All solid-state ... no tubes.
- Double conversion receiver.
- Two stage crystal filter.
- Two RF stages w/ dual gate MOS FET.
- Fractional microvolt sensitivity.
- Sensitive squelch w/ 0.5uV threshold.
- RIT for receiver, ±5 kHz.
- Multi-function metering: Power out / "S" units. Also switchable to FM centering.

MULTI-11 TRANSCIVER

Freq.: 144-146MHz (or 146-148MHz)
Channels: 23, manually switchable, 4, auto-scan.
Freq. control: Quartz crystals. External VFO or synthesizer input.

\$325

- Auto or manual scan (Four channels), transmitter and receiver.
- NBFM, 10W output (switchable to 1W)
- Protective circuit for output transistor.
- Available solid-state amplifiers boost output 70-160 watts.
- Tone osc. w/ sw. For test, control, etc.
- 13.5VDC negative ground.
- Compact: 2.2" (56mm)H, 6.41" (163mm)W, 9" (230 mm) D. Wgt: Approx. 4.4 lbs(2KG).

MULTI-U-11

Freq.: 420-450MHz (any 4MHz segment).
Channels: 23, manually switchable, 4, auto-scan.
Freq. control: Quartz crystals. External VFO or synthesizer input.

\$379

MULTI-7, FULL-FEATURED COMPACT, LOW PRICE, 2-METER TRANSCIVER



23 xtl chans. (external VFO). NBFM. 10W power out. Sensitive, double-conversion receiver. Mobile. 13.5VDC

\$239

KLM electronics

17025 Laurel Road, Morgan Hill CA 95037 (408) 226-1780, (408) 779-7363

low-noise two-meter preamp

There has been increased interest in weak-signal DX on 144-MHz recently, and some amateurs who have limited their vhf activity to fm for the past several years are rediscovering ssb activity on the lower sections of the band. Part of this renewed interest in vhf ssb is a result of the commercial multi-mode vhf rigs which are now available, and some is a direct spin-off from OSCAR. In any event, interest in vhf ssb and CW is growing, and in several parts of the country two-meter "activity" nights are being sponsored by local vhf groups to encourage ssb activity. (In the Northeast the two-meter activity night is on Monday evening, beginning about eight o'clock; calling frequencies are 144.110 and 145.010 MHz.)

While many two-meter operators are using modern solid-state converters, a great number have simply dusted off their old vacuum-tube converters and placed them back in service. Hence there is increased interest in low-noise preamplifiers. The two-meter mosfet preamp shown in fig. 1, which was presented at the New England ARRL Convention last fall by K2RTH, is a straight forward, easy-to-build design with a maximum noise figure of about 2 dB (1.7 dB typical). The complete preamplifier is built on a piece of copper-clad circuit board 4½ inches long by 2 inches wide (11.4 x 5.1cm). The transistor is mounted in a shield, also made from 1/16 inch (1.5mm) thick circuit board, which is 1-3/4 inch (4.5cm) square. The preamp is assembled on the main board and all grounds are made by soldering directly to the copper foil (do not use ground lugs). All 470 pF bypass capacitors are also soldered directly to the copper foil with leads no more than 1/16 inch (1.5mm) long.

After the preamp is assembled and all circuit connections have been checked, connect 12 Vdc (maximum) and measure the current drain. It should be 9 to 11 mA. If higher than this, reduce the supply voltage slightly. If your low-voltage dc supply is not variable, you can install a resistor in series with the dc supply line (between C1 and power supply) and adjust the resistance value for 9 to 11 mA total current drain.

Install the completed preamp in front of your two-meter converter and adjust the two 10 pF trimmers for

maximum signal. Gain of the circuit should be about 18 dB and noise figure is 2 dB maximum, so it will really improve the performance of your receiving setup if you're using an old tube-type preamp or converter. You can check the stability of the preamp by touching the transistor with your finger — nothing should happen. If there's any effect on the received signal when you touch the transistor, check for a bad bypass capacitor (or excessive capacitor lead length).

audio filters

As was pointed out to me recently by WA4KAC, the lowpass audio filter described by OD5CG in the January, 1974, issue of *ham radio*¹ suffers from a loss of attenuation at frequencies beyond the frequency of "infinite" attenuation. This "hump" behavior is characteristic of m-derived filters.

Using the same number of inductors as the original (three), WA4KAC built the lowpass, pi-section filter shown in fig. 2 from the description given by W8YFB in the August, 1972, issue.² In WA4KAC's circuit a four-pole, double-throw switch provides the selection of two cutoff frequencies: 650 or 2000 Hz. The filter capacitors were matched to obtain the response shown in fig. 3. The use of two additional 1 μF capacitors for the CW section of the filter (W8YFB used only the two center 2 μF capacitors) results in a sharper cutoff in the CW position and less loss within the passband. With pi-section filters there is no loss of attenuation beyond the frequency of "infinite" attenuation — response continually decreases beyond the cutoff frequency. Cascading filters results in a sharper cutoff response.

OD5CG's audio filter, however, has the advantages of using smaller values of capacitance and provides sharper frequency cutoff. His m-derived filter has an attenuation of 50 dB at 1.5 times the cutoff frequency (-3 dB point on the response curve), whereas the pi-section filter of fig. 2 has 50 dB attenuation at approximately 1.8 times

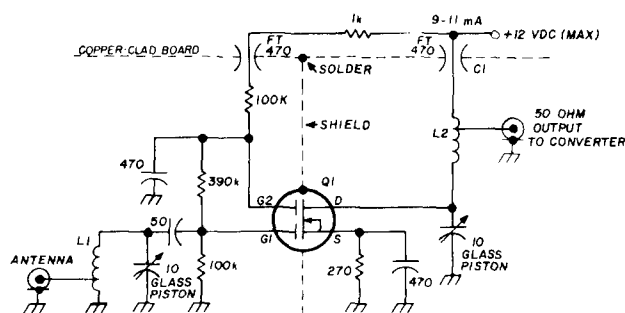
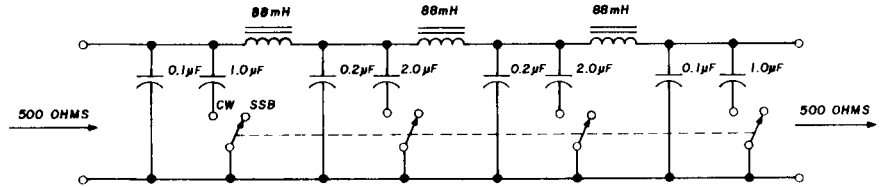


fig. 1. Low-noise two-meter preamp has 18 dB gain and typical noise figure of 1.7 dB. L1 and L2 are each 3½ turns no. 18 (1.0mm) tinned, 3/8" (9.5mm) diameter, 1/2" (6.5mm) long, tapped 1 turn from cold end. Mosfet Q1, in order of preference, is a MEM554C, 3N159, 3N140 or 3N141. These are all unprotected dual-gate mosfets, so use care when handling them.

the cutoff frequency.

A very simple variable audio filter that can be used on both CW and ssb, submitted by KH6AQ, is shown in fig. 4. Although KH6AQ uses this filter with a tube-type

fig. 2. Lowpass audio filter built by WA4KAC has switch for selecting one of two cutoff frequencies: 650 Hz for CW or 2000 Hz for ssb operation. The filter capacitors were matched to obtain the response shown in fig. 3.



audio power stage, a similar arrangement should be suitable for solid-state audio power stages.

dry cell life

Since the power provided by a dry cell is generated by a chemical reaction, and that reaction continues even when the battery is sitting on the shelf, dry cells begin losing power the moment they are produced. Furthermore, batteries discharge faster and faster as time goes on, and the warmer the storage temperature, the shorter the shelf life. Although D-size batteries shouldn't lose more than about 15 per cent of their capacity during the first year after manufacture, smaller batteries (such as the 9-volt transistor radio batteries which are made up of six 1.5-volt cells) may lose 20 to 40 per cent of their charge in the first year. The more expensive alkaline batteries are less sensitive to temperature changes but their shelf life is only a little longer than ordinary carbon cells.

One way to extend the shelf life of dry batteries is to store them in a refrigerator (the chemical reaction slows at lowered temperatures). According to industry experts,

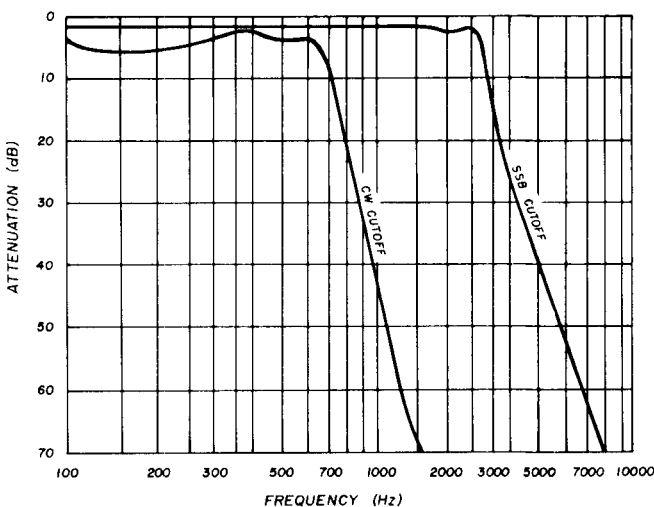


fig. 3. Response curve of WA4KAC's lowpass audio filter shows 650 Hz cutoff (CW) and 2000 Hz cutoff (for ssb operation). Filter capacitors were matched to obtain this response curve.

new batteries which are placed in a freezer may retain most of their capacity for as long as three or four years. To keep the batteries dry they should be wrapped in plastic before putting them in the freezer — when they

are removed from the freezer they should be left in the plastic wrapping until they have warmed up to room temperature. This prevents condensed moisture from forming on the outside of the battery.

replacing selenium rectifiers

Although there are direct silicon rectifier replacements for most popular vacuum-tube rectifiers, replacing selenium rectifiers in older electronic equipment poses more of a problem because operating data for these devices is seldom available. However there are two rules of thumb which can be used to determine the correct rating of a silicon diode replacement. The reverse voltage rating

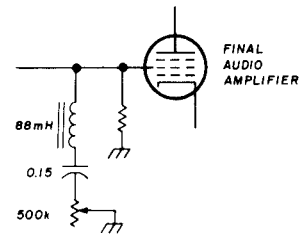


fig. 4. Simple tunable audio filter built by KH6AQ for use with a tube-type audio power stage.

of selenium rectifiers is approximately 75 volts per plate. Thus a two-plate selenium rectifier has a voltage rating of 150 volts; three plates, 225 volts; four plates, 300 volts; etc.

The current rating of selenium rectifiers is determined by the area of the plates and is given approximately by the relationship

$$\text{current rating (mA)} = 450S^2$$

where S is the length of one side in inches* (assumes square plates). Thus a selenium rectifier with plates which are 3/4 inch (19mm) wide are rated at 250 mA; 1 inch (25mm) wide, 450 mA; 1 1/4 inch (32mm) wide, 700 mA; etc. This is the maximum current the selenium rectifier can handle at 75 per cent efficiency (the efficiency of seleniums decreases with age). For added reliability, of course, you should choose a silicon replacement with ratings that exceed these calculated voltage and current values.

*In metric dimensions, the current rating in mA is given by $70S^2$ where S is the length of one side in cm.

12 to 6 volt converter

There is still a good deal of used vhf-fm equipment on the market which was originally designed for operation from 6-volt mobile power supplies. Although some amateurs have converted this equipment to 12 volts by rebuilding the power supply, an easier and less expensive solution for medium-powered gear is to build the simple 12 to 6 volt converter shown in fig. 5. With the devices mounted on a suitable heatsink the maximum output current of this circuit is about 15 amperes. If the positive and common lines are isolated from the chassis, the circuit may be used with either negative- or positive-grounded mobile systems.

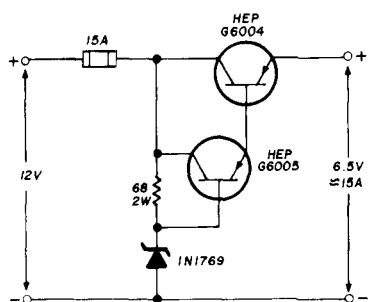


fig. 5. 12- to 6-volt converter suitable for operating low- and medium-powered 6-volt vhf-fm equipment from a 12-volt power supply.

saving your mobile rig

There's little you can do to prevent a thief from breaking into your car and ripping off your mobile rig, but you can slow him down a bit. Burglar alarms, for example, don't prevent thefts — they're only guaranteed to let you know that a theft has already taken place! Since most successful thieves can disarm an alarm in a matter of seconds, commercial auto burglar alarms are little more than an annoyance — they're certainly not a deterrent. It may be more difficult for a professional thief to disarm a homebrew alarm that he knows nothing about, but since he can break into your car, rip out your gear and be on his way within 20 or 30 seconds, alarms offer little protection. An alarm may scare off an inexperienced thief, but all too often the owner neglects (or forgets) to turn on the alarm when he leaves the car, or doesn't even roll up all the windows and lock the doors.

When you get right down to it, aside from locking your mobile rig in a bank vault, there's very little you can do to completely protect it from departing to points unknown. However, here is a circuit from *The Atlanta Ham* (published by the Atlanta, Georgia, Radio Club) which might help you to recover your mobile gear if it does get ripped off (see fig. 6). In almost all cases when the thief leaves your car with your rig he has your microphone, your Touch-Tone pad and the power cord from the fuseholder down. Unless, of course, you put your mike and Touch-Tone pad in the trunk (highly recommended). Usually the rig is simply ripped out, wires dangling. If you build this latch circuit into your

rig, however, the thief has a radio that won't push-to-talk when he does and, furthermore, transmits all the time. If you were thoughtful enough to put your mike in the trunk, whenever he attaches power the rig will put an unmodulated carrier on the air, making it easier to track him down. This is especially true in metropolitan areas where local fm operators have been advised to be on the lookout for your "speechless" fm transceiver.

If the circuit is carefully installed in your rig, and the new wiring is worked into the existing wiring harness, it's unlikely that the thief will be able to locate the trouble. And even if you don't recover the rig you may get some satisfaction out of the fact that the thief couldn't get any use out of it and had to junk it!

While we're on the subject of mobile radio gear, are you absolutely sure that your rig is covered by your auto insurance? Some amateurs who have lost their equipment to thieves discovered after the fact that the loss was not completely covered. With many mobile rigs now costing upwards of \$500 or more, it's comforting to know that any loss is completely covered. If you're not sure, check with your agent, and make sure the extent of the coverage is in writing. You may be surprised to learn that your policy has only limited coverage — expensive items such as mobile radios and cameras may require additional coverage to be fully insured against loss.

European semiconductors

I have had a number of requests for information on the system used for numbering European semiconductors. Unlike the 2N-system used in the United States, the European numbering system gives a good deal of basic data without resorting to a transistor data book. In their system the first letter indicates germanium (A) or silicon (B), the second letter gives the general construction or application, and the remainder is the device serial number. For the second letter, C indicates an audio type (not power); D, audio power; E, tunnel diodes; F, small-signal rf; L, rf power; P, photosensitive; R, controlling and switching (not power); S, switching transistors (not power); T, switching and controlling devices with specified breakdown characteristics; U, power switching transistors; Y, power diodes; and Z,

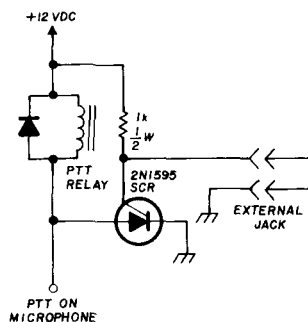


fig. 6. SCR latch turns on your mobile rig when power is applied if external circuit is broken when the rig is stolen. External wires can be run under the dash so thief must cut them when removing the rig from your car. If the PTT relay doesn't have a protective diode across the coil, install one. The SCR is a 100 PIV, 1 amp device such as the 2N1595. SCRs such as the HEP R1003 (0.8 amp) or R1217 (4 amps) should also be satisfactory.

zener diodes. For the serial number, three numerals are used for entertainment types; one letter — X, Y or Z — plus two digits indicate industrial types. The AF117, for example, is a small-signal germanium rf transistor for entertainment purposes; the BCZ11 is an industrial silicon audio transistor.

original which used the optical coupler. In his circuit W2CQH also used a short piece of miniature coaxial cable for the 1-turn output link — the outer shield is grounded only at the coaxial connector so the braid acts as a Faraday shield, eliminating any capacitive signal (and noise) pickup from the circuit.

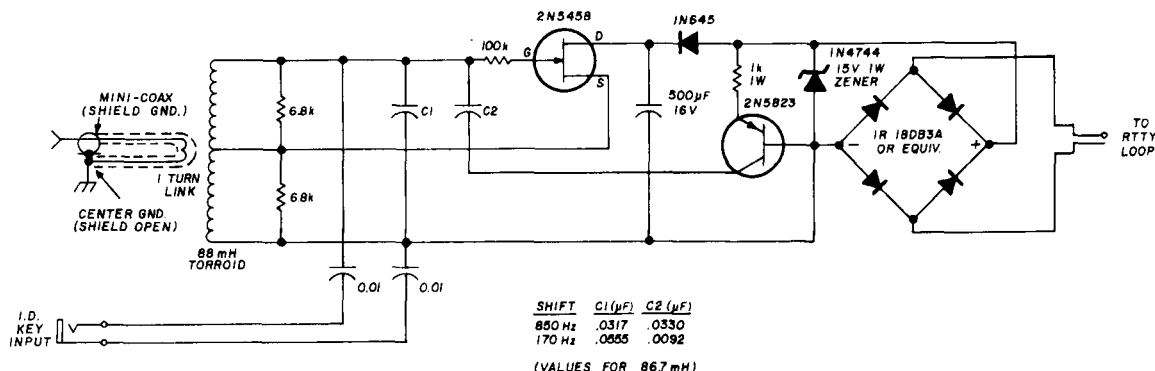


fig. 7. W2CQH's modification of W2LTJ's simple audio-frequency keyer uses silicon pnp transistor switch instead of an optical coupler. Shield on 1-turn coaxial loop acts as Faraday shield.

audio-frequency keyer for RTTY

Several readers have had difficulty obtaining the MOC1002 optical coupler which was used in the simple audio-frequency RTTY keyer described in the August, 1975, issue of *ham radio*.³ W2CQH faced this problem and solved it with the silicon pnp transistor switch shown in fig. 7. Author W2LTJ has also built this version of the circuit and reports that it works as well as the

keyer oscillator

Shown in fig. 8 is a circuit for a simple keyer oscillator submitted by KH6IHT and KH6IEL which they designed for autopatch use. Since the autopatch system in their repeater has a decoder bandpass from 2980 to 3080 Hz, R2 is adjusted to 3042 Hz for best results. However, R2 can adjust the output tone over a rather wide audio range for other applications. Two output options are available: speaker or microphone (the microphone input line must be shielded). R3 is adjusted for the required output/input level and may be replaced by a variable resistor, if desired. Normally-closed keyer contacts can also be connected between pin 7 of the NE555 and ground. A 9-volt transistor radio battery (NEDA 918) is recommended for the oscillator.

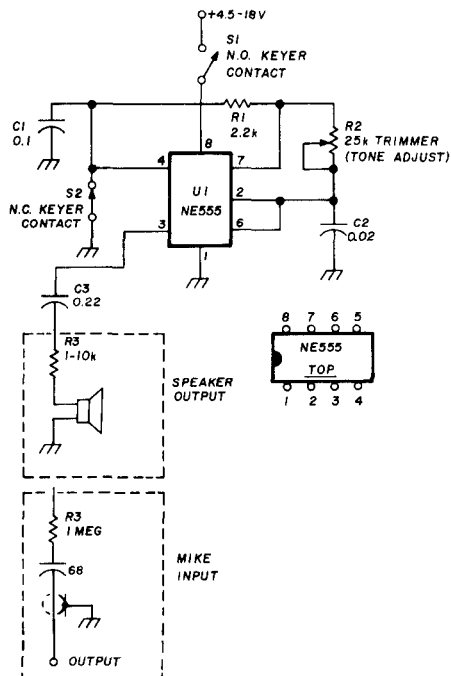


fig. 8. Autopatch keyer oscillator is based on NE555 IC timer. Either normally-open or normally-closed keyer contacts may be used to activate the oscillator. Line to microphone input must be shielded.

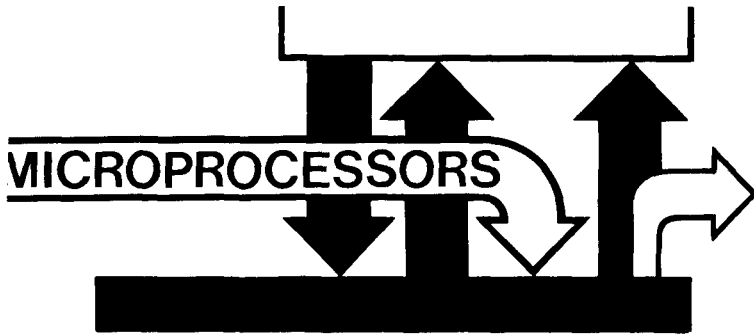
75A4 noise limiter noise

Some time ago W4ZKI mentioned to the editor that the 6AL5 noise limiter in Collins 75A4 receivers tends to be regenerative, contributing unwanted noise to the receiver. Since the noise limiter is not too effective on ssb or CW, and few operators use it, W4ZKI recommended that the circuit be disabled and the tube removed. This information was passed along to W9KNI who solved the problem very neatly by removing the 6AL5 and plugging in a jumper between pins 2 and 7. On my 75A4 this simple modification reduced the no-signal noise level by about 3 dB, a worthwhile improvement.

references

1. Frank Regier, OD5CG, "Simple Audio Lowpass Filter," *ham radio*, January, 1974, page 54.
2. Bill Wildenhein, W8YFB, "Inexpensive Audio Filters," *ham radio*, August, 1972, page 24.
3. Bill King, W2LTF, "Simple Audio-Frequency Keyer for RTTY," *ham radio*, August, 1975, page 56.

ham radio



generating input/output device-select pulses

The preceding column in this series on microcomputer interfacing discussed the 16-bit *out* instruction contained within the 78 instruction set of the 8080 microprocessor chip. The *out* instruction comprises two successive 8-bit bytes and can be written in binary notation as*

11010011₂ XXXXXXXX₂

in 8-bit octal code, 323₈ YYY₈

or in 8-bit hexadecimal code, D3₁₆ ZZ₁₆

A discussion of how you convert the 8-bit binary code into either octal or hexadecimal code can be found in reference 1. In the above notations, XXXXXXXX₂ represents an 8-bit byte that can range in value from 00000000₂ to 11111111₂; YYY₈ represents a three-digit octal code that can range from 000₈ to 377₈; and ZZ₁₆ represents a two-digit hexadecimal code that can range from 00₁₆ to FF₁₆. A quick calculation will demonstrate that 11111111₂, 377₈, and FF₁₆ all represent the same 8-bit binary word.

The choice of a coding system is up to you. The binary code is awkward to write and difficult to remember. Octal code is used in the popular Digital Equipment Corporation PDP-8 and PDP-11 minicomputer software and is easy to remember. Hexadecimal code is a more natural code for an 8-bit binary word and is currently quite popular among microprocessor manufacturers.

We should emphasize the fact that the manner in which you write the code on paper will not affect the way in which the microcomputer will execute a program. Both octal and hexadecimal code must eventually be converted back to binary code, which is stored in successive 8-bit memory locations. The code conversion can be accomplished in several ways, e.g., by hand or by a computer program.

The second 8-bit byte, XXXXXXXX₂, in the 16-bit *out* instruction is the *device code* for the output device. As indicated in previous columns, 256₁₀ different devices can be addressed with the aid of such a code. The manner in which this is done is shown in full detail in

*The subscript 2 indicates binary notation, a subscript 8 denotes octal code, a subscript 10 designates decimal notation, and a subscript 16 indicates hexadecimal code.

fig. 1, which provides a device decoding circuit consisting of seventeen SN74154 TTL 4-line to 16-line decoder/demultiplexer IC's. Since this is a rather complicated circuit, we would first like to discuss the simpler decoding circuit shown in fig. 2.

The SN74154 IC is a 4-line to 16-line decoder that allows you to input any 4-bit binary word ranging from 0000₂ to 1111₂ and select any single output among sixteen different output channels labeled 0 to 15₁₀. G1 and G2 are the *strobe* or *gating* inputs to this chip; when they are both at logic 0, the SN74154 chip is said to be *enabled* — it is operative, and one of the sixteen output channels, that which corresponds to the binary input at pins 20 to 23, is at logic 0. When either G1 or G2 is at logic 1, the SN74154 chip is said to be *disabled* — it is inoperative, and all sixteen output channels are at logic 1 irrespective of the binary input at pins 20 to 23.

The basic trick that the 8080 microcomputer employs is to *enable* the SN74154 chip for a very short period of time, 500 nanoseconds to be exact. This is done with the aid of a negative clock pulse at G1. This negative clock pulse, called \overline{IN} or \overline{OUT} in reference 1 or $\overline{I/O R}$ or $\overline{I/O W}$ in the Intel Corporation literature,² is generated by the microprocessor chip with the aid of some additional circuitry. \overline{IN} and $\overline{I/O R}$ refer to the 16-bit *in* instruction, whereas \overline{OUT} and $\overline{I/O W}$ refer to the 16-bit *out* instruction that we are discussing here. During this 500 ns period of time the device code appears on the *memory address bus* and can be used as inputs to the SN74154 chip to select a desired output channel.

The memory address bus is a group of 16 output pins on the 40-pin 8080 IC (fig. 3). A *bus* can be defined as follows:¹

Bus. A path over which digital information is transferred, from any of several sources, to any of several destinations. Only one transfer of information can take place at any one time. While such transfer is taking place, all other sources that are tied to the bus must be disabled.

The important point here is that two types of informa-

By Jonathan Titus, Peter R. Rony, and David G. Larsen, WB4HYJ

Mr. Larsen, Department of Chemistry, and Dr. Rony, Department of Chemical Engineering, are with the Virginia Polytechnic Institute and State University, Blacksburg, Virginia. Mr. Jonathan Titus is President of Tychon, Inc., Blacksburg, Virginia.

tion can appear on the 16-bit memory address bus: a) the 16-bit memory address for a memory location addressed by the 8080 microprocessor chip, or b) the 8-bit device code present in the second 8-bit byte of an *in* or *out* microprocessor instruction, but not both at the same time. The *in* or *out* microprocessor instruction requires 5 μ s for execution, and the device code appears only during the last 1.5 μ s of this time.

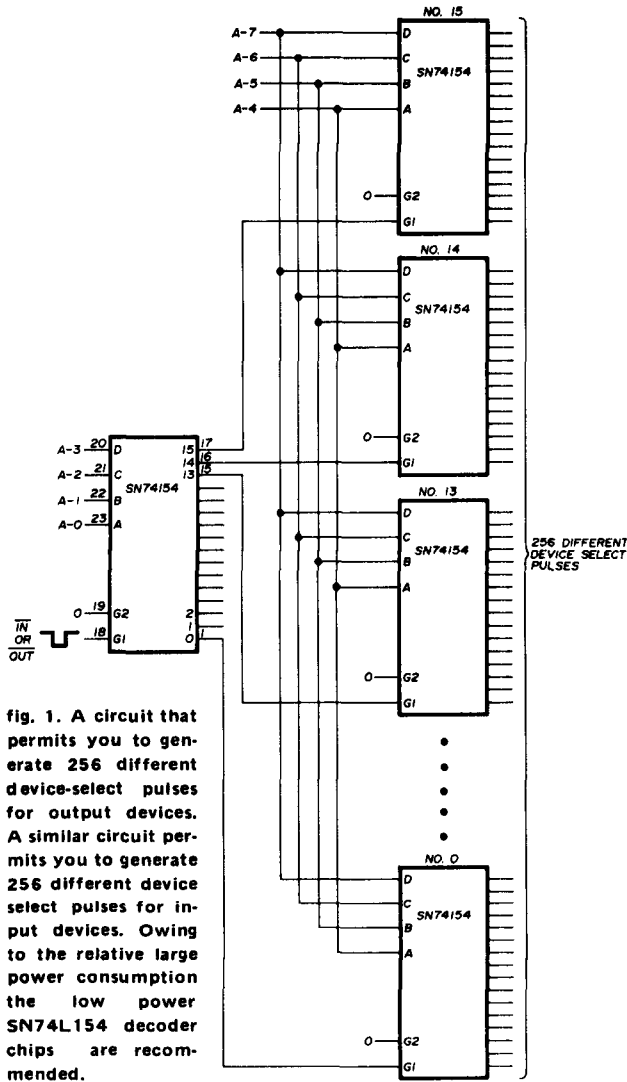


fig. 1. A circuit that permits you to generate 256 different device-select pulses for output devices. A similar circuit permits you to generate 256 different device select pulses for input devices. Owing to the relative large power consumption the low power SN74L154 decoder chips are recommended.

When the device code appears on the memory address bus, the bus is subdivided into two 8-bit bytes, each byte containing the address code. Thus, you have your choice of bits A-0 through A-7, or A-8 through A-15, for the device code. This 8-bit device code is connected directly to one or a group of SN74L154 chips, as is shown in

Reprinted with permission from American Laboratory, December, 1975; copyright © International Scientific Communications, Inc. Fairfield, Connecticut, 1975.

figs. 1 and 2. In fig. 2, only four of the eight device code bits are used, whereas in fig. 1, all eight device code bits are decoded into 256 different output or input device code negative clock pulses.

Each output device is addressed uniquely by the $\overline{\text{OUT}}$ function pulse and a corresponding 8-bit device code. The same is true for each input device; only the $\overline{\text{IN}}$ function pulse is employed instead of the $\overline{\text{OUT}}$ function

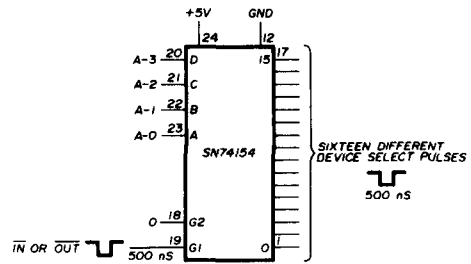


fig. 2. A simpler circuit that allows you to generate sixteen different device-select pulses for either input or output devices but not both simultaneously.

pulse at the gating input G1 to the SN74154 chip. Each device-select pulse lasts for only 500 ns, the time that the SN74154 chip is gated at G1.

Fig. 4 provides a set of timing diagrams that summarizes the external consequences of the 16-bit *out* instruction:

- An 8-bit device code appears on the memory address bus, in this case the code for device 11010001_2 or 321_8 , for a period of 1.5 μ s.
- During this 1.5 μ s, an out function pulse is generated for a period of 500 ns.
- These nine output lines are used as inputs to the seventeen SN74154 IC circuit shown in fig. 1. This circuit generates a 500 ns negative device-select pulse for device 321_8 . All the remaining 255 outputs from the decoders remain at logic 1.

This device select pulse can be used to turn on the solid-state relay shown in the circuit in last month's column.

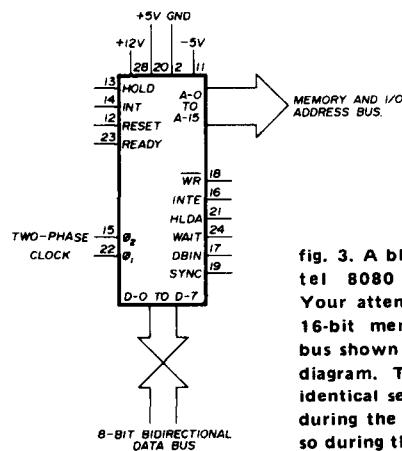


fig. 3. A block diagram of the Intel 8080 microprocessor chip. Your attention is directed to the 16-bit memory and I/O address bus shown at the top right of the diagram. This bus provides two identical sets of 8-bit device codes during the *OUT* instruction and also during the *in* instruction.

microcomputer seminars

An introduction to interfacing, programming and applications.

The course so widely acclaimed at SAROC

For individuals who are interested in learning about microcomputers and how to get started in applying them to real-world situations.

An all-day program including:

- 1 What is a microprocessor? A Microcomputer?
- 2 Where do microcomputers fit? What are appropriate applications?
- 3 Microcomputer interfacing: a. Bus structure; b. Control signals; c. Data flow
- 4 Microcomputer memory: a. Types of memory: RAM, ROM, and PROM; b. ROM/RAM trade-offs
- 5 Microcomputer Input/Output: a. Device addressing; b. Control of Input/Output; c. Communication with the outside world
- 6 Microcomputer interrupts and flags: a. Hardware vs software; b. Advantages and disadvantages of interrupt schemes; c. Timing
- 7 Microcomputer software: a. As a replacement for hardware; b. Modular approaches
- 8 Microcomputer peripherals and I/O port implementation: a. UARTS and communications chips; b. FIFOs and buffer storage; c. PPI chips; d. I/O port chips
- 9 Microcomputer software development: a. Machine language; b. Assembly language and editor/assemblers
- 10 How do I get started?: a. equipment and materials; b. Texts; c. Costs: projections of time and money

Your instructors — one or more of the following

David G. Larsen, WB4HYJ*

Instructor, Department of Chemistry, Virginia Polytechnic Institute & State University

Dr. Peter R. Rony*

Professor, Department of Chemical Engineering, Virginia Polytechnic Institute & State University

Mr. Jonathan A. Titus*

President, Nanotran Inc., (Microcomputer consulting firm), General manager, Tychon, Inc.

Mr. Christopher Titus

Consultant

*One of the authors of the Bugbook series

Dates & Location:

Friday, April 23 and Saturday, April 24

(Hamvention Weekend) at the Imperial House North, I-75 and Needmore Road, Dayton, Ohio.

Fee: \$25 plus \$35 for required textbooks (A complete set of Bugbooks I, II, IIa, and III.)

To enroll: Send \$60 along with your name, address and telephone number to **HAM RADIO**. Be sure to indicate your choice of dates. May we suggest you hurry as registration is limited.

Greenville, NH 03048

**ham
radio**

603-878-1441

The program, which is analogous to one given previously, is simply:

memory address	octal instruction	description
0	323	Send device select pulse to device given by the following 8-bit device code
1	321	Device code for clear input to SN7474 flip-flop
2	166	Halt the microcomputer

For further information, please refer to last month's column.³

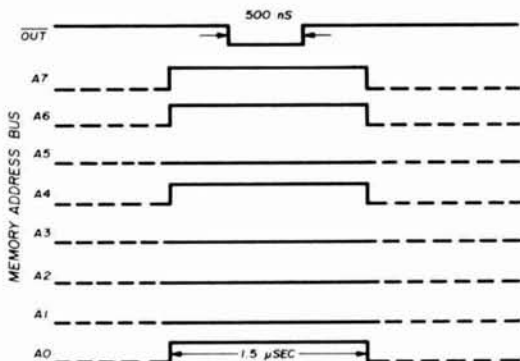


fig. 4. A set of timing diagrams that depict the relationship of the OUT function pulse and the device code information appearing on the memory address bus. This information is applied to SN74154 decoder circuits such as those shown in figs. 1 and 2.

In the above paragraphs, we have discussed the interfacing technique called *accumulator I/O*, which is also known as *isolated I/O* in the Intel Corporation literature.² A much more exciting interfacing technique is *memory I/O*, which is also known as *memory mapped I/O*,² in which an I/O device appears to the microcomputer CPU as a simple memory location. Without question memory I/O will be the most popular interfacing technique among all of the different microprocessor families. One important advantage of this technique is the considerable number of integrated circuit chips that have already been designed for memory I/O applications. Included among such chips are the 8255 programmable peripheral interface, the 8251 universal synchronous/asynchronous receiver/transmitter (USART), the MC6820 peripheral interface adapter, and the XC6850 asynchronous communications interface adapter. We shall discuss this alternative I/O technique next month.

references

1. *Bugbook III. Microcomputer Interfacing Experiments Using the Mark 80[®] Microcomputer, an 8080 System*, E&L Instruments, Inc., Derby, Connecticut, 1975.
2. *Intel 8080 Microcomputer Systems User's Manual*, Intel Corporation, Santa Clara, California, 1975.
3. D. G. Larsen, P. R. Rony and J. Titus, "Microcomputer interfacing: The 8080 microcomputer output instruction," *American Laboratory*, 1976.

ham radio

DIGITAL DATA RECORDER

for Computer or Teletype Use Up to 4800 Baud

Uses the industry standard tape saturation method to beat all FSK systems ten to one. No modems or FSK decoders required. Loads 8K of memory in 17 seconds. This recorder enables you to back up your computer by loading and dumping programs and data fast as

you go, thus enabling you to get by with less memory. Great for small business bookkeeping. Imagine! A year's books on one cassette.



Thousands are in use in colleges and businesses all over the country. This new version is ideal for instructional, amateur, hobby and small business use. Ideal for use by servicemen to load test programs. Comes complete with prerecorded 8080 software program used to test the units as they are produced. (Assembler)

Thousands are in use in colleges and businesses all over the country. This new version is ideal for instructional, amateur, hobby and small business use. Ideal for use by servicemen to load test programs. Comes complete with prerecorded 8080 software program used to test the units as they are produced. (Assembler)

SPECIFICATIONS:

- A. Recording Mode: Tape saturation binary. This is not an FSK or Home type recorder. No voice capability. No modem. 3" per sec.
- B. Two channels (1) Clock, (2) Data. Or two data channels providing four (4) tracks on the cassette. Can also be used for NRZ, Bi-Phase, etc.
- C. Inputs: Two (2). Will accept TTY, TTL or RS 232 digital.
- D. Outputs: Two (2). Board changeable from TTY, RS232 or TTL digital.
- E. Erase: Erases while recording one track at a time. Record new data on one track and preserve three or record on two and preserve two.
- F. Compatibility: Will interface any computer using a UART or ACIA board. (Altair, Sphere, M6800 etc.)
- G. Other Data: 110/220 V, 50/60 Hz; 2 Watts total; UL listed #955D; three wire line cord; on/off switch; audio, meter and light operation monitors. Remote control of motor optional. Four foot, seven conductor remotig cable provided.
- H. Warrantee: 90 days. All units tested at 110 and 4800 baud before shipment. Test cassette with 8080 software program included. This cassette was recorded and played back during quality control.

COMING SOON — IN KIT FORM

- * Hexadecimal Keyboard — Load programs direct from keyboards' 16 keys and verifying display. Does not use Computer I/O.
- * I/O for use with Computer Aid or other digital recorders. Variable baud rate selectable on externally located unit by one knob. Can load computer or accept dumps without software. Turnkey Operation. For any 8 bit computer.
- * Record/Playback Amplifier
Expanded version of our Computer Aid

board for use with your own deck (cassette or reel to reel). Go to 9600 baud on reel to reel. Digital in, digital out, serial format.

- * Interested in these? Send your name and address for brochure when released. (EDUCASSETTE is our registered TradeMark)

Fill out form and send check or money order to:
NATIONAL MULTIPLEX CORPORATION
3474 Rand Avenue, Box 288
South Plainfield, New Jersey 07080
201-561-3600

Mailing Label — PRINT

NATIONAL MULTIPLEX CORPORATION

3474 Rand Avenue, Box 288
 South Plainfield, New Jersey 07080

SHIP TO:

.....

.....

CARD NO. ZIP

EXPIRATION DATE

..... Data Recorder @ \$149.95

..... Operating & Technical
 Manual (Schematics)
 @ \$1.00

* New Products, No Charge

Please enclose \$2.00
 Shipping & Handling
 N. J. Residents add 5%
 Sales Tax



integrated circuit ssb transceiver for 80 meters

The versatile LM373 IC
is the heart
of this single-band
sideband transceiver
that also features
some novel diode switching
of the signal path

The increasing availability and sophistication of integrated circuits has prompted the publication of a number of solid-state transceiver designs.^{1,2,3} The transceiver design presented here uses readily available ICs and includes varactor tuning of the variable oscillator and transmitter buffer stages. The receiver's performance is enhanced by a dual fet cascade rf amplifier, and the transmitter provides about 8 watts output from an inexpensive rf power transistor.

circuit

Except for the varactor tuned oscillator (vto), bfo, rf amplifier, transmitter driver and final amplifier sections, all functions are performed by integrated circuits. With the exception of the B+ switching, which is accomplished with a single miniature relay, all other switching between receiver and transmit is done by high-speed 1N914 switching diodes. The transceiver's i-f frequency is 455 kHz, and the vto tunes from 3.045 to 3.545 MHz. Sideband selectivity is provided by a 455-kHz Collins mechanical filter.

Two MPF102 fets in cascade configuration with high-Q toroidal inductors serve at the receiver's rf amplifier (fig. 2). The first design attempts excluded an rf amplifier, but the LM373 used in the front end displayed such poor cross-modulation characteristics and overloaded so

easily that an additional high-Q tunable rf stage was necessary. However, even with an rf preselector an occasional strong local station overloaded U1. To protect against this kind of interference a manual second rf gain control, consisting of R1B in a voltage dividing network to provide adjustable bias to pin 1 of U1, was included.

The received signal is fed through relay K1 to the dual fet rf amplifier, through another tuned circuit, and then to U1, a LM373 serving as both the second rf amplifier and the receiver mixer. The vto input is injected at pin 6 of U1 during receive, and the mixer output is then diode switched into pin 2 of U2, the common i-f amplifier (fig. 3).

In addition to serving as the receiver/transmitter i-f strip, U2 also functions as the receiver product detector. Sideband selectivity is provided by FL1, a 455 kHz Collins mechanical filter, inserted between pins 2 and 9 of U2. The LM373 adequately compensates for the filter insertion loss, and it does triple duty as the product detector when the 456.35 kHz bfo output is diode switched onto pin 6 during receive. The audio output of U2 is switched into the audio amplifier, U3, an MFC9010 IC capable of producing two watts of audio output with low distortion.

beat-frequency oscillator

The bfo is a rather conventional bipolar crystal oscillator coupled to a fet source follower by a miniature 455 kHz i-f transformer, T2 (fig. 4). The rf output is made adjustable (through R7A) so that the bfo injection voltage can be set for maximum carrier suppression. The bfo frequency is 456.35 kHz for lower sideband operation or 453.75 kHz for upper sideband.

variable oscillator

The variable oscillator is varactor tuned using a 1N594 diode and incorporates an MPF102 fet source follower buffer (fig. 5). With the values given, the oscillator tunes from 3.045 to 3.545 MHz with the full excursion of potentiometer R8. The +12 volt source for the vto should be well regulated, preferably with a three-terminal 12 volt IC regulator such as the Fairchild 7812. In the transceiver I built, the vto output shifted frequency by a few hundred hertz when switched between receive and transmit, probably due to the difference in load resistances placed on the vto in the two modes. However, by adding R9 and associated circuitry, the receive and transmit frequencies may be synchronized.

By W. J. Weiser, M.D., VE3GSD, 98 Banstock Drive Willowdale, Ontario, Canada

transmitter circuits

A 741 operational amplifier is used at U4, the speech amplifier (fig. 6). A Motorola MC1496 is used as the balanced modulator after attempts with a LM373 proved unsuccessful. The circuit shown does an excellent job, despite its simplicity, and was borrowed from previous designs.^{3,4}

The 456.35 kHz carrier oscillator signal is diode switched during transmit to U5, the balanced modulator, and the resulting double sideband output is switched into the common i-f amplifier U2. U2 passes the dsb signal through FL1 and mixes the filtered ssb output with the injected vto frequency. The resultant 3.5 to 4.0 MHz ssb signal is finally switched during transmit to the chain of transmitter buffer and amplifier stages.

to have one available. A rather elaborate zener-regulated bias network was needed to operate this device in a reasonably linear fashion. The collector tuned circuit is similar to that of the driver stage.

The rf output passes through another low impedance lowpass filter which attenuates the harmonic output and also provides an impedance match for a 50-ohm load.

control circuits

All B+ voltages in the transceiver are switched through a single 4pdt relay. One pole switches +12 volts between the receive and transmit switching diodes, and also between the rf amplifier and U1 (on receive) and the speech amplifier, balanced modulator, and transmitter driver amplifiers on transmit. A second set of

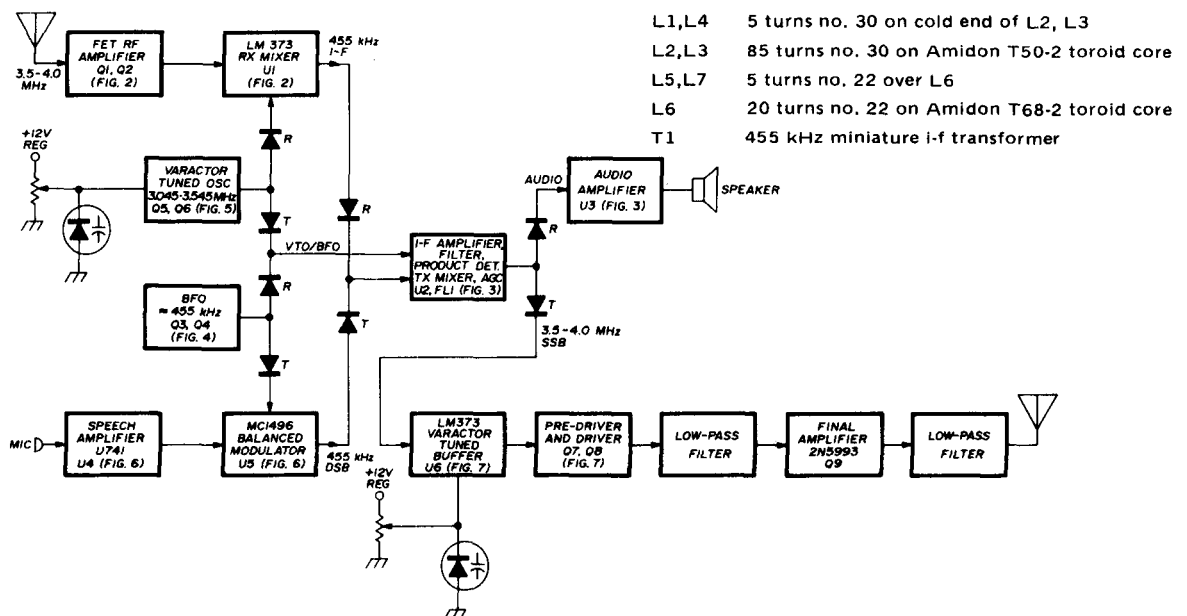


fig. 1. A simplified block diagram of the transceiver. The diodes marked R are biased into conduction during receive; those marked T conduct during transmit. All T-R switching is handled in this manner except the final rf amplifier output. Varactors are used in the tuned circuits of the vfo and buffer stages.

The ssb signal at the output of U2 is extremely weak and requires a number of stages of linear amplification to reach an rf voltage capable of driving the final amplifier, Q9. The output from U2 is first amplified by varactor-tuned buffer U6, also an LM373; the output of U6 in turn excites pre-driver Q7; its output is tuned to the center of the 80-meter phone band by C5 and link coupled through L3 to the driver transistor, Q8, a 2N3553 bipolar transistor (fig. 7).

Several transistor types seem to work well in the driver stage (of which the 2N2102 is the least expensive). An adjustable voltage-dividing network utilizing a 3.6 volt zener regulator biases the final into the linear range (fig. 8). The driver's output is link coupled via L15 to a 4 MHz lowpass filter.

The final amplifier, Q9, is a 2N5993 rf power transistor. This device is intended for CW and fm use and was reluctantly forced into linear service because I happened

contacts switches +12 volts from a separate supply to the transmitter final amplifier stage on transmit. The remaining two poles function as an antenna T-R switch and as the receiver offset tuning disable.

construction

The heart of the transceiver is built on an 8x10 inch (20x25cm) single-sided copper-clad circuit board. The board is pre-drilled and hand etched to incorporate all circuits and components except the vto, audio amplifier, speech amplifier and final amplifier; these are built as small sub-modules on boards which are mounted with L-brackets onto the main circuit board.

The vto is mounted in a small aluminum enclosure. The 2N5993 final amplifier is built on a small circuit board with the rf power transistor mounted on a 2x5 inch (6.3x15.2cm) finned heatsink which is bolted flush with the phenolic side of the circuit board. A shield

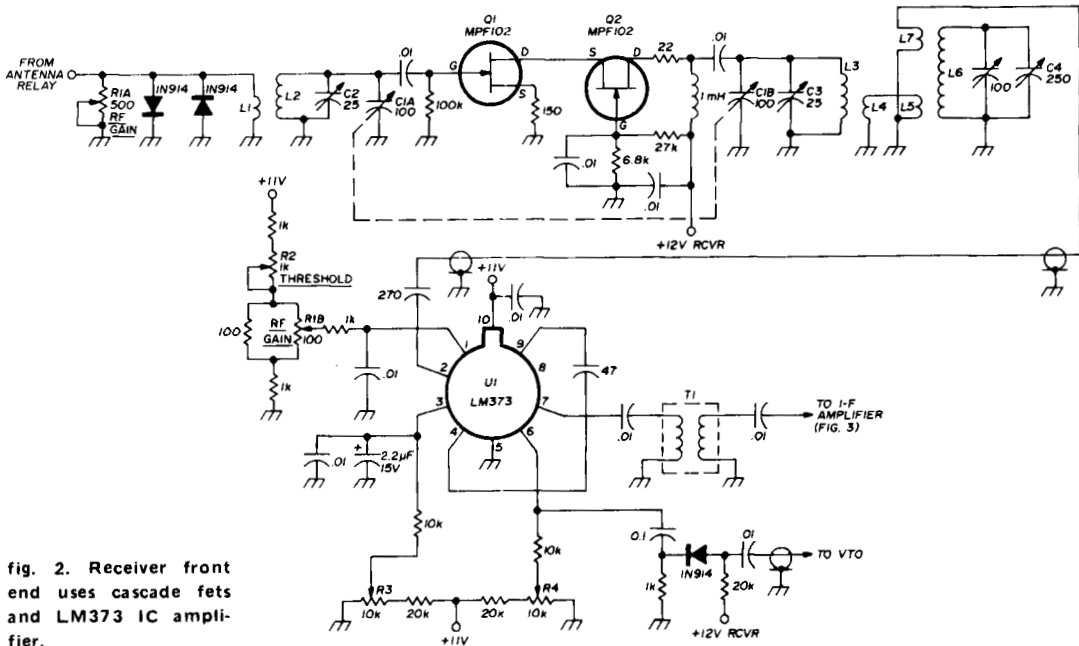


fig. 2. Receiver front end uses cascade fets and LM373 IC amplifier.

separates the final amplifier stage from the main circuit board.

All tuning controls are mounted on aluminum brackets secured directly to the main circuit board's front edge. Finally, the main board is mounted with standoffs to a 10x12x2 inch (25.4x30.5x5.1cm) aluminum chassis. All tuning controls are brought out through the front panel by shaft couplers and universal joints. The output meter is mounted on the front panel; the

gear drive assembly was harvested from an old ARC-5 receiver and is mounted on the right side of the panel as the vto tune control.

receiver alignment

The vto was aligned first. Inductor L8 is adjusted so that the desired frequency range of 3.045 to 3.545 MHz occurs at the extremes of rotation of R8. A grid-dip meter and general-coverage receiver were helpful in this

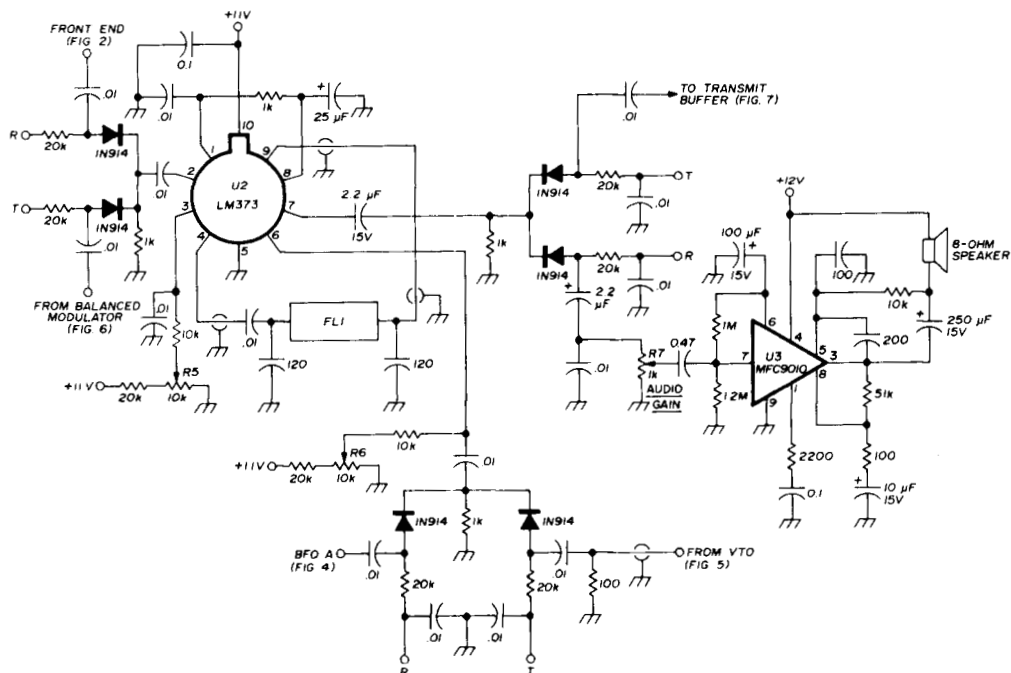


fig. 3. Common i-f amplifier, filter, product detector/transmitter mixer stage. By applying +12 volts to the T or R terminal, the various inputs and outputs are switched by 1N914 diodes. FL1 is a 455 kHz Collins mechanical filter.

alignment. The bfo requires no adjustment and can be easily checked for oscillation with a vtm and rf probe.

The receiver is easily adjusted by tuning in a strong local signal and alternately adjusting trim pot pairs R3, R4 and R5, R6 for maximum signal strength. Final peaking is accomplished with C1, C4, and the rf tune and receiver tune capacitors.

transmitter alignment

To begin the transmitter alignment, first check the operation of the speech amplifier by monitoring its output with a pair of headphones. Next, loosely couple pin 7 of U2 to a receiver tuned to the transceiver's frequency. A clear, crisp ssb signal should be heard. To null the carrier, adjust R11 for minimum carrier, while at the same time setting R7, the bfo output level adjust, to obtain maximum carrier suppression possible with adequate signal gain.

Shift the receiver coupling to L13, and place a number 42 pilot lamp across that inductor as a dummy load. Set the vto to 3.8 MHz and peak the buffer tune control (R12) and the pre-driver tune control (C5) for maximum signal at the receiver.

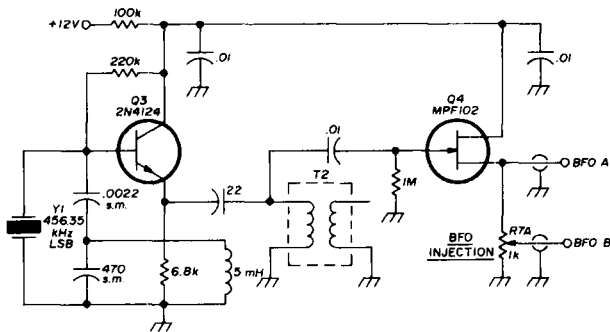


fig. 4. Bfo and carrier oscillator. T2 is a miniature 455 kHz i-f input transformer.

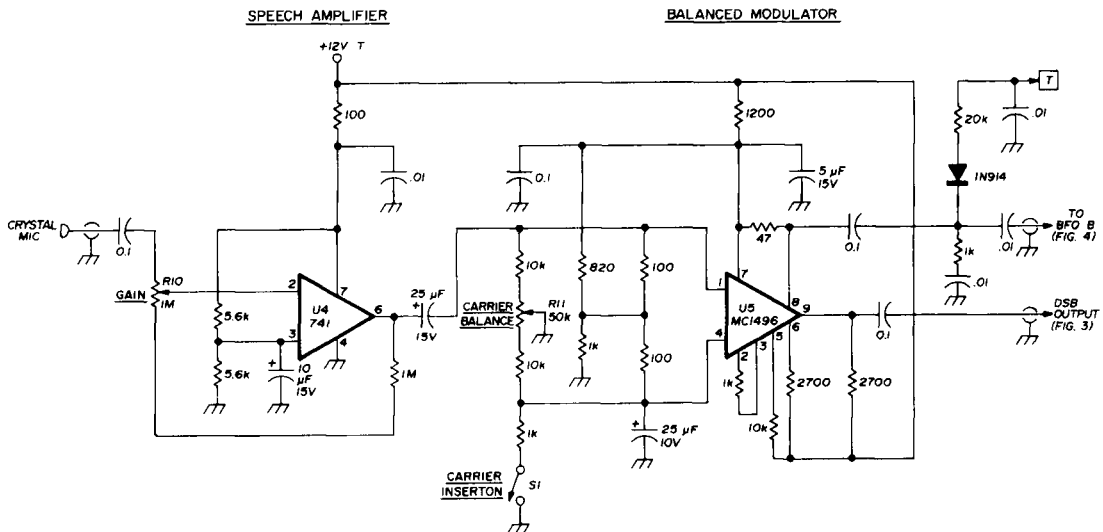


fig. 6. Speech amplifier and balanced modulator.

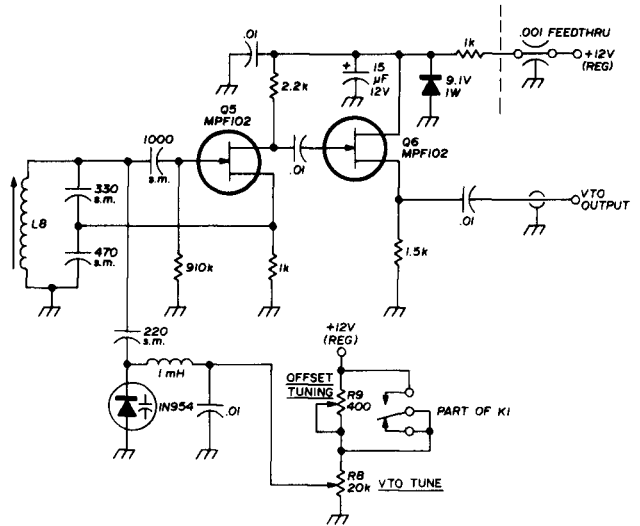


fig. 5. Varactor tuned oscillator (vto) is built in a separate enclosure which is attached to the main circuit board. L8 is 40 turns no. 32 on 1/4" (6.5mm) slug-tuned form.

Remove the pilot lamp from L13 and place it across L15, coupling this stage to the receiver. Adjust R14 for about 5 to 10 mA of quiescent collector current at Q8. Then tune capacitor C6 for maximum signal strength in the receiver and maximum lamp brilliance.

To tune the 2N5993 linear amplifier, Q9, place a 10 watt, 50 ohm resistive dummy load across the antenna output, very loosely coupling this to the receiver and an oscilloscope. The easiest way to adjust the bias of Q9 is to monitor the modulation envelope on the oscilloscope while adjusting potentiometers R15 and R16 for the best ssb oscilloscope pattern and cleanest audio. In my transceiver, the quiescent collector current of Q9 was on the order of a few hundred milliamperes.

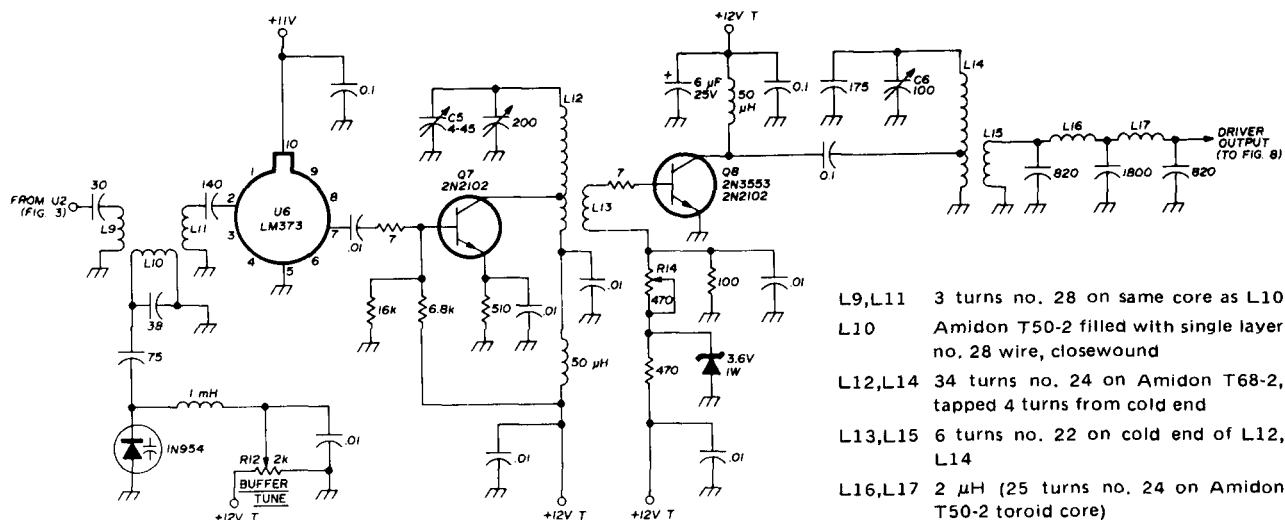


fig. 7. Buffer, pre-driver and driver stages.

- L9,L11 3 turns no. 28 on same core as L10
- L10 Amidon T50-2 filled with single layer no. 28 wire, closewound
- L12,L14 34 turns no. 24 on Amidon T68-2, tapped 4 turns from cold end
- L13,L15 6 turns no. 22 on cold end of L12, L14
- L16,L17 2 μ H (25 turns no. 24 on Amidon T50-2 toroid core)

The transceiver is easy to tune and operate, and it puts out a good ssb signal. Its modular design and construction make troubleshooting less frustrating and alignment simple. Although, with 7 to 8 watts output, this is really not a QRP rig (according to the purists), it cannot compete with higher powered stations. However, by using good operating skill, tempered with patience, the operator will be rewarded with many contacts.

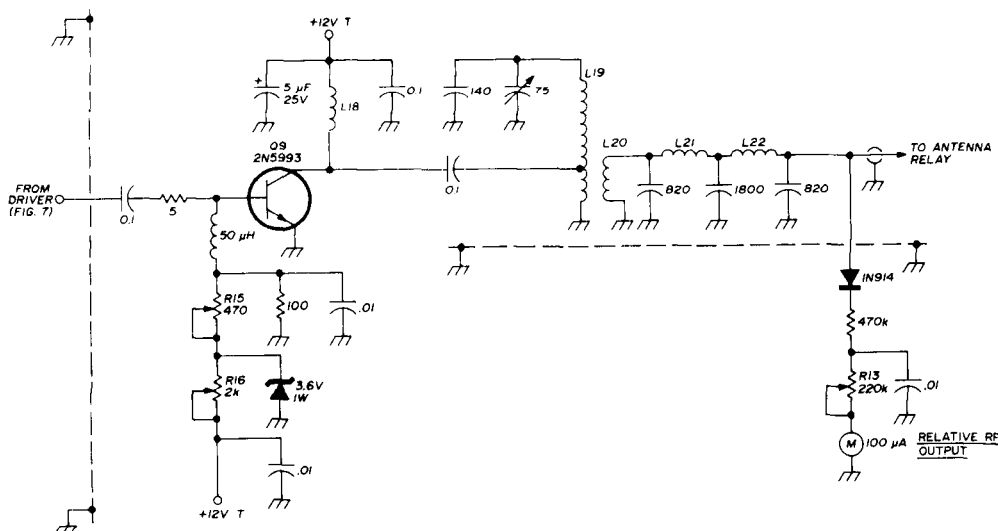
For those whose resources are unlimited, an rf power transistor specifically designed for linear ssb service could be substituted for the 2N5993 used at Q9. A 2N5992 would deliver about 10 watts PEP with a 12 volt supply, while a 2N5070 or a 40936 would deliver about 25 watts PEP using a 28 volt collector supply.

I wish to thank Charles Hill, W5BAA, whose article and personal communications helped in the formulation and design of this ssb transceiver.

references

1. Charles Hill, W5BAA, "Single Band SSB Transceiver Using the LM373 Communications IC," *ham radio*, November, 1973, page 32.
2. Dave Hembling, VE6ABX, "Solid-State 80-Meter SSB Transceiver," *ham radio*, March, 1973, page 6.
3. Tony Dorbuck, W1YNC, "A Solid-State Transceiver for 160 Meters," *QST*, December, 1973, page 11.
4. *The Radio Amateur's Handbook*, ARRL, Newington, Connecticut, 1972, page 399.

ham radio



- L18 2 layers no. 28, closewound on Amidon T37-2 toroid core
- L19 34 turns no. 24 on Amidon T68-2

- L20 6 turns no. 22 on cold end of L19
- L21,L22 2 μ H (18 turns no. 20 on Amidon T68-2 toroid core)

fig. 8. Final amplifier stage. The 2N5993 works well in this circuit, although not intended for linear service. Other transistor types may be substituted for increased output and linearity.

ATLAS TRANSCEIVERS



MADE IN U.S.A.

WE ARE PROUD THAT EVERY ATLAS TRANSCEIVER AND ATLAS ACCESSORY IS MADE IN AMERICA! We think the American worker, and our employees in particular, are the most talented, hardest working people in the world. The quality of Atlas transceivers and our very competitive prices are the proof of this.

OUR PHENOMENAL 8 POLE LADDER FILTER that gives Atlas transceivers such superior selectivity was designed by Bob Crawford, an American engineer, and is manufactured exclusively for us in Phoenix, Arizona.

OUR PRINTED CIRCUIT BOARDS, and R.F., I.F., and A.F. plug-in boards that make servicing your Atlas transceiver fast, easy and inexpensive are made right here in Southern California.

THE SOLID STATE CIRCUITRY of our transceivers is based on designs by Les Ernshaw formerly ZL1AAX, widely recognized as one of the foremost solid state radio engineers in the world, and founder of Southcom International located in Southern California. Southcom is one of the leading manufacturers of commercial and military radio equipment sold throughout the world. Atlas transceivers' immunity to overload and cross modulation from strong signals is

nothing short of fantastic, and is a result of the advanced state-of-the-art designs by Les, and licensed to Atlas by Southcom.

WITH ALL DUE RESPECT TO THE FOREIGN ORIGIN OF A FEW OF THE COMPONENTS, every Atlas transceiver is designed and manufactured right here in our plant at Oceanside, California, U.S.A.

We think it is fitting that in this year, 1976, the 200th birthday of our nation, that each of us give at least equal consideration to products **MADE IN AMERICA**. Not only because they are Made in America, but because, like our Atlas products, they are simply a much better value!



SEE YOU AT
SAROC KUILIMA
IN AUGUST

ATLAS AMATEUR RADIO EQUIPMENT:

210x or 215x	\$649.
(With noise blanker installed \$689.)	
AC Console 110/220V	\$139.
Portable AC Supply 110/220V	\$ 95.
Model DD6 Digital Dial	\$199.
Plug-in Mobile kit	\$ 44.
10x Osc. less crystals	\$ 55.
Noise Blanker, for plug-in installation	\$ 48.

For complete details see your Atlas dealer, or drop us a card and we'll mail you a brochure with dealer list.

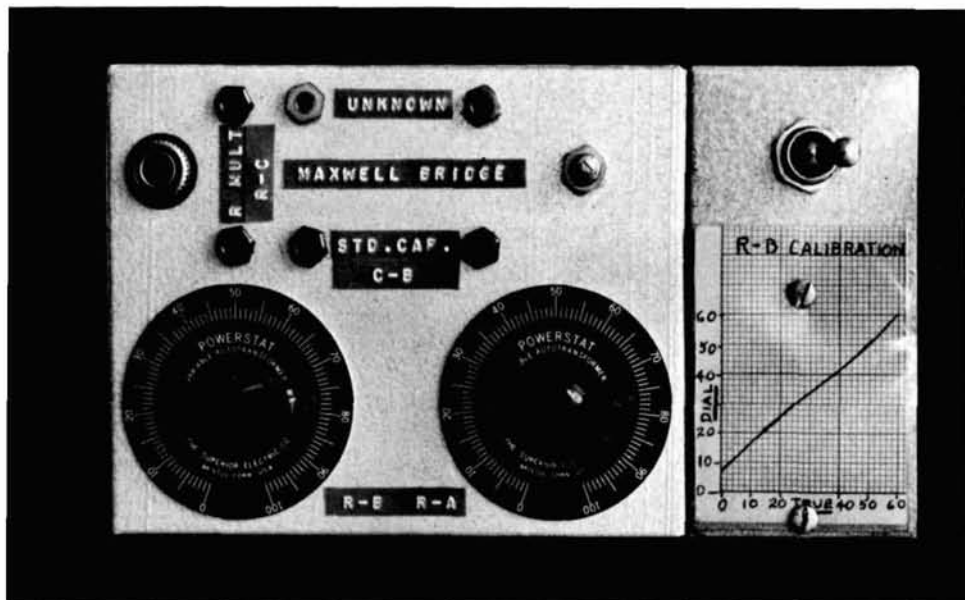


**ATLAS
RADIO INC.**



Ask the ham who owns one!

417 Via Del Monte • Oceanside, CA 92054 • Phone (714) 433-1983



universal L, C, R bridge

Here's a useful instrument for test equipment that won't strain your imagination, credulity, or pocketbook. The idea isn't new; in fact it's of about the same era as the Wheatstone bridge. But for some reason, it seems to have been overlooked by the amateur fraternity. Known as the Maxwell bridge, it provides in one instrument the capability of measuring inductance, capacitance, and resistance.

Ohmmeters and capacitance meters are available in all price ranges. But not generally available (or familiar) to amateurs is a means of readily measuring inductance between 1 μ H and 1 henry. The investigation of inductance bridges narrowed to the Maxwell bridge as by far the simplest, and also revealed its flexibility for resistance and capacitance measurements. The advantages of the Maxwell bridge are minimum number of components, calibration simplicity, measurement simplicity, driving-frequency independence, and measurement accuracy.

Most other bridges in common use have more than one reactive element as compared to one in the Maxwell bridge. Over a fixed range, R_a (see fig. 1) can be calibrated to read inductance values directly; and at a specified fixed driving frequency, R_c can be calibrated to read Q directly. In addition, R_a and R_b can be calibrated initially over their variable ranges by means of standard resistors. All measurements are direct products or quotients of direct readings. In the derivation of the basic equations for bridge balance, it is found that $2\pi f$ appears on both sides of the equation and cancels, with the result that bridge measurements are not affected by the driving source frequency. Finally, the nulls are unmistakable so that if the resistance arms are $\pm 1\%$, the worst-case

error would be approximately 3%, with the probability being 8 to 1 that the error would be less.

Referring to fig. 1, which is the setup for inductance measurement, and neglecting for the moment the potentiometer across the transformer, the equation for balance is $L_x = R_a \times R_c \times C_b$, where L is in millihenries, R in kilohms and C in microfarads. For the series resistance of L , $R_x = R_a \times R_c$ divided by R_b . Then $Q = 2\pi f L$ divided by R_x . Note that if L_x were vanishingly small, leaving R_x ; and if C_b were removed, the bridge would be a straightforward Wheatstone type for resistance measurements with the same resistance balance equation as above. If a standard inductance is used in place of L_x , an unknown capacitor in the position of C_b can be measured. For this measurement, $C_x = L_{standard}$ divided by the product of R_a and R_c , with the units the same as for the inductance measurement. The series resistance of a capacitor is usually so small and the Q so large as not to be determinable with this bridge.

construction

All you need for layout and wiring is shown in the photo and the schematic. (The calibration curve in the photo was made because of nonlinearity in the low-resistance end of R_b , in fig. 1.) I recommend a Bud 7x5x3 inch (17.8x12.7x7.6cm) Minibox box, which is about the smallest space into which you can squeeze the parts. Partition a 2-inch (5.1cm) space at one end to hold the signal-driving source, which consists of the

By J. H. Ellison, W6AOI, 1720 Holly Avenue, Menlo Park, California 94025

transformer, the IC and its components, and the switch and battery. The IC is a Signetics NE555 connected as an astable oscillator running at approximately 1000 Hz with the R and C values shown. The IC draws 6.5 mA. The battery is a 9-volt transistor battery. The transformer is a small audio type to provide dc isolation. Try to stay in a 3 to 1 ratio or less, but don't go down to the transistor interstage size. The pin jacks for the plug-in parts are Cinch-Jones with an all-Nylon body. For pins to match, find some plugs from any old Command set and saw out miniature banana-type pins by the handful.

The IC puts out a square wave at approximately 40% duty cycle, and you want some inductance to round off that square wave with its high harmonic content. Run the transformer secondary leads through a hole in the partition and connect them to the small pot, whose rotor is grounded. This arrangement is called a Wagner ground, a method for balancing stray internal capacitances to ground to get a perfect null. A first balance is made with R_a and R_b , then the Wagner ground is adjusted to deepen the null. Usually only one adjustment is required, then the R_a and R_b balance is perfect.

Bridge accuracy will depend on the linearity of R_a and R_b and the success you have in finding dial plates with graduations that match the angular range of your pots. If you can't match the two, the alternative is to make your own calibrated dial plates. The difficulty is that no uniformity exists among manufacturers in the angular range covered by the resistance winding. It goes without saying that the pots must be wire-wound to ensure reliable calibration and resetting. I found some surplus 1.75-inch-diameter (4.4cm) precision pots made by Technology Instruments, Acton, Massachusetts, and dial plates labeled "Powerstat" made by Superior Electric, Bristol, Connecticut, which matched exactly. You should be so fortunate!

Other manufacturers with models approximating these are Spectrol, Helipot Division of Beckman Instruments, CTS Corporation, Clarostat, and Mallory. Mallory has an inexpensive model designated MG, which might be satisfactory if you make your own calibrated dial plates. You'll find that the angular measurement of the resistance windings will range from 255 to 335 degrees, depending on construction. It's desirable, although not

necessary, that the pots be metal enclosed to provide shielding. This shielding adds about 15 pF capacitance across the windings, which is equivalent to more than a megohm at the bridge driving frequency and may be neglected for all practical purposes. The phone jack should be insulated from the case, and for best sensitivity high-impedance phones should be used.

standards

You'll need resistance standards to plug into the R_c position and capacitance standards to plug in the C_b ,

table 1. Measurement ranges for the L,C,R bridge.

L (mH)	R (ohms)	C_b (μ F)	R_c (ohms)
0.01 - 0.1	1 - 10	0.01	10
0.1 - 1.0	10 - 100	0.01	100
0.1 - 1.0	1 - 10	0.1	10
1.0 - 10.	10 - 100	0.1	100
1.0 - 10.	1 - 10	1.0	10
10. - 100.	100 - 1000	0.1	1000
10. - 100.	10 - 100	1.0	100
100. - 1000	100 - 1000	1.0	1000

position. The minimum resistances will be 10, 100, and 1000 ohms, and minimum capacitances will be 0.01, 0.1, and 1.0 μ F. Juggling the formulas will show that you can cover the same inductance range with different combinations of R_c and C_b , but the inductor series-resistance range will be different. For example, a C_b of 0.1 μ F and an R_c of 100 ohms will cover the inductance range of 1.0 to 10 mH and a series resistance range of 10 to 100 ohms. A C_b of 1 μ F and an R_c of 10 ohms will cover the same inductance range, but the resistance range will be 1 to 10 ohms.

If you can't get a distinct null, you have the wrong combination of C_b and R_c . You can work out other R and C combinations to expand the bridge range. You should make a table of combinations with the corresponding L_x and R_x ranges.

Using the plug-in method for C_b and R_c provides the greatest versatility and most compact bridge size. If you used internal switching systems, you'd add considerable mechanical complexity and stray capacitive coupling. Some of the components are external to the enclosure and some are within, which adds to mutual shielding. No proximity hand effects should occur when balancing the bridge.

The standards mentioned will cover inductances between 10 μ H and 1 henry, with corresponding resistance ranges between 1 and 1000 ohms. For capacitance measurements between 10 pF and 10 μ F, you'll need a 1 mH standard and two additional resistance standards, which can be calculated. These same resistance standards will be useful in making resistance measurements, which can be determined with much greater accuracy than with an ohmmeter.

A final word: an unavoidable interaction exists between the reactance and resistance balances. Care must be taken to ensure a *complete* null to avoid measurement errors. If the approximate R_x is known beforehand, correct measurements are expedited.

ham radio

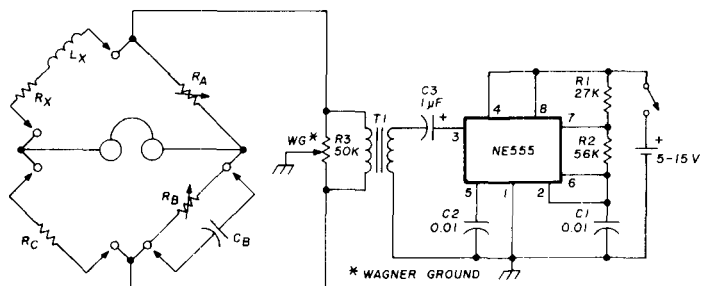


fig. 1. Maxwell bridge setup for inductance measurements. Wagner ground balances stray internal capacitances to ground to obtain a perfect null. Measurement ranges are shown in table 1.

R_a 1k wirewound linear pot
 R_b 10k wirewound linear pot
 T1 3:1 or less audio transformer

Some GOOD REASONS for going to Drake TR-4C:

Super-stable Drake PTO...

*no need to chase the guy
down the band*

Excellent linearity— 1 kHz

Direct Dial Readout

*No need to interpolate
from knob skirt*

Highly effective solid state full gating Noise Blanker

*not just a simple noise limiter;
17 transistors, 4 diodes*

Calibration remains the same in switching between modes

*(USB to LSB,
SSB to CW, etc.)*



DRAKE **TR-4C** With Remote VFO RV-4C SIDE BAND TRANSCEIVER

TR-4C FEATURES

- 80 thru 10 Meters Frequency Coverage
- 1 kHz dual concentric dial
- Excellent PTO Stability
- Full Gating Noise Blanker Optional
- Transceive or Separate PTO
- Wide Range Receiving AGC
- Calibration constant mode to mode
- 300 Watts PEP input on SSB
- Shifted-Carrier CW 260 watts input
- Upper and Lower Sideband all bands
- Superb Receiver Overload and Cross-Mod characteristics
- VOX or PTT
- Output Impedance Adjustable with pi-net
- Traditionally high resale/trade-in value and excellent customer service

For more details on these units and other Drake gear, please contact:

TR-4C SPECIFICATIONS: • **Frequency Coverage:** Full Coverage on all amateur bands 80 thru 15 meters and one 10 meter segment, in five 600 kHz ranges: 3.5 to 4.1 MHz, 7.0 to 7.6 MHz, 13.9 to 14.5 MHz, 21 to 21.6 MHz, 28.5 to 29.1 MHz. Accessory crystals needed for 28 to 28.6 MHz and 29.1 to 29.7 MHz ranges. • **Solid State VFO:** Has linear permeability tuning. Tunes 4.9 to 5.5 MHz for all ranges. • **Dial Calibration:** Two concentric dials. 100 kHz Markings on one dial and 1 kHz divisions on second dial. • **Frequency Stability:** High stability solid state VFO tunes same range on all bands. Drift is less than 100 cycles after warm-up, and less than 100 cycles for plus or minus 10% line voltage change. • **Modes of Operation:** SSB Upper and Lower Sideband, CW and AM. • **Misc:** 20 tubes including voltage regulator; two transistors; 8 diodes; 100 kHz crystal calibrator built in; Dimensions: 5½" high, 10½" wide, 14¾" deep. Weight: 16 lbs...

TRANSMITTER: • **Single Sideband:** 300 watts P.E.P. input power, VOX or PTT. Two special 9 MHz crystal filters provide upper or lower sideband selection on any band, without the necessity of shifting oscillators. • **CW:** Power input 260 watts. Carrier is shifted approximately 1000 cycles into one sideband, and mixer and driver are keyed. Grid block keying is free from chirps and clicks. Automatic transmit/receive switching when key is operated. CW sidetone oscillator for monitoring. • **AM:** Controlled carrier AM screen modulator is built-in. 260 watts P.E.P. input. Low carrier power increases 6 times to 50 watts output at maximum modulation. This system is compatible with SSB linears. VOX or PTT. Diode detector used for receiving on this mode. Product Detector can be used by switching manually...

RECEIVER: • **Sensitivity:** Less than ½ microvolt for 10 dB S/N • **I.F. Selectivity:** 2.1 kHz at 6 dB, 3.6 kHz at 60 dB. • **Antenna Input:** Nominal 50 ohms. • **Audio Response:** 400 to 2500 cycles at 6 dB. • **Audio Output Power:** 3 watts. • **Impedance:** 4 ohms.

R. L. DRAKE COMPANY



540 Richard St., Miamisburg, Ohio 45342
Phone: (513) 866-2421 • Telex: 288-017

See us at Dayton Hamvention

Still the best way to get from 160 to 10 meters:

Additional Frequency Coverage
available throughout
the HF Spectrum



Drake C-Line

Both the R-4C and T-4XC cover extra 500 kHz ranges throughout the HF spectrum. Additional crystals, which are front panel selectable, provide new bands as they are needed such as those discussed for 10, 18, and 24 MHz.

The excellent performance of the system makes weak signal DXing on 160 meters a pleasure.

Both units employ the famous Drake PTO for super stability and 1 kHz direct dial readout. Calibration remains the same when switching between modes.

With the proper use of the passband tuning, notch filter, and eight-pole crystal lattice filter (SSB supplied, five others for AM, CW, and RTTY available as accessories), the R-4C gives outstanding results in severe QRM as compared to fixed selectivity systems.

Complete transceive capability using either PTO is provided, with spot signal for zero beating.

The C-4 integrates a myriad of functions together, including phone patch, rotor control, remote motor controlled antenna switch, master station control, wattmeter, and many others.

SPECIAL NOTICE

The grand prize at the 1976 ARRL National in Denver will be a Drake C-Line. These units will be a special collectors' issue, each with a special number "SC 1976" to commemorate the bicentennial year.

For more information on this and other Drake products, please contact:

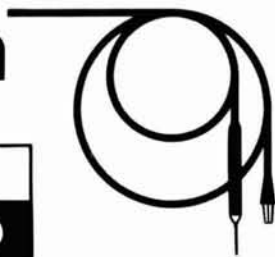
R. L. DRAKE COMPANY



540 Richard St., Miamisburg, Ohio 45342
Phone: (513) 866-2421 • Telex: 288-017

➤ See us at Dayton Hamvention ◀

repair bench



Michael James

troubleshooting by resistance measurement

In addition to the signal tracing, signal injection and voltage measurement techniques which I have discussed in previous columns, troubleshooting by resistance measurement is another basic technique which can be used to pinpoint circuit problems. One of the best arguments for resistance troubleshooting, of course, is safety. You can check out many of the stages in your transmitter, for example, without any lethal voltages applied, and when you must work on high-voltage power supplies resistance troubleshooting is the *only* method which is recommended.

A few amateurs will contend that resistance measurements don't give the complete story because some components in a high-voltage circuit that check out okay by resistance measurement may break down under stress. That's true, but you can usually spot these problems by a visual inspection — they smoke, or arc. Some short circuits occur in transmitters only after high voltage and drive have been applied, so resistance or voltage measurements are of little use, but once again, you can usually *safely* track down the difficulty by a visual inspection and the process of elimination.

Resistance troubleshooting can be done with a simple volt-ohm-milliammeter or vom, and most amateurs have one. In addition to being relatively inexpensive, rugged, and simple to operate, the volt-ohmmeter doesn't have to be plugged into the power line so it's completely portable. Some of the new solid-state electronic volt-ohmmeters are also portable, but they're considerably more expensive and can sometimes give erroneous readings when used in operating rf equipment.

There are any number of good quality volt-ohm-milliammeters on the market which are suitable for amateur use, ranging from miniature, imported models that sell for less than \$10 to more accurate instruments which go for \$100 or more. Although many of the pocket-size meters are good investments, if most of your troubleshooting is done on the workbench, you'd probably be

better off with a larger vom with an easy-to-read 4 or 5 inch (10-13cm) scale. Insist on dc accuracy of at least 2%, and don't be misled by the fact that 1% resistors are used in its construction. The use of 1% resistors doesn't necessarily mean that the readout is very accurate — the meter movement itself may be non-linear.

Other features to look for are 20,000 ohms/volt sensitivity (minimum) and a meter protection circuit. Some meters are completely burnout proof, and you pay extra for this premium, but it might save you money in the long run. The meter shown in the photographs, a Triplet model 60, is both burnout proof and shockproof, so I should never have to replace it. (It once got knocked off my bench on to the concrete floor and sustained absolutely no damage.)

When selecting a vom the most important factor is accuracy. Dependable ohmmeter measurements are not much use if you can't read them accurately, and you can't begin to interpret their meaning unless the measurements are accurate. Following are four suggestions which will help you to obtain accurate measurements with your ohmmeter:

1. **Calibrate** the instrument before using it. Place the vom in the position you're going to use it, standing upright or lying down, with the function switch in the *off* or *dc voltage* position, and with the test leads plugged in but not shorted together, make sure the meter needle rests exactly on the zero mark at the left edge of the scale. You may have to adjust the mechanical zeroing screw that is just below the meter face (see fig. 1). If it's been awhile since you've made the zero adjustment you



fig. 1. Before making any resistance or voltage measurements, make sure the meter needle is zeroed. If it's not, adjust the mechanical zeroing screw just below the meter face on the front of the vom. This adjustment shouldn't be required very often, but you should always check the mechanical zeroing before you use the instrument.



fig. 2. The needle should move up scale to the zero ohms mark when the test leads are shorted together. If the needle doesn't align with the zero ohms mark, adjust the "ohms" or "zero ohms" control on the front of the instrument.



fig. 3. The meter pointer should rest somewhere near midscale for best accuracy when making resistance measurements. This can be accomplished with the "range" switch which is calibrated in decade increments.

may have to lightly tap the meter glass to jar loose any needle friction.

2. Zero ohms adjust. Turn the function switch to the *ohms* position and short the two test leads together. The needle should move up to full scale (since the ohms scale reads from right to left, zero ohms is at full scale). If the pointer doesn't line up with the zero ohms marker, adjust the *zero ohms* control on the front panel of the instrument (see fig. 2).

3. Range switch. For accurate resistance measurements the range switch should be set so the meter operates in the upper two-thirds of the resistance scale. This is because the resistance scale is non-linear and the scale on the left edge is compressed, making it difficult to read accurately. Moving the range switch up one or two positions will move the needle toward the right into a portion of the scale where the calibration marks are further apart.

4. Properly interpolate the scale reading. Most errors in resistance measurements are due to simple technician error in properly multiplying the ohms scale reading by the *multiplier* indicated by the range switch. It's pretty easy to drop a zero (or add one) and end up with the wrong measurement. When the pointer is on the left side of the scale you'll have zeroes in the scale reading as well as in the multiplier, so be particularly careful and use scratch paper if you're unsure.

series resistance circuits

Before you can troubleshoot an electronic circuit with resistance measurements you have to recognize the different kinds of resistance paths which you may find

in an actual circuit. There are dozens of resistors in practically every electronic circuit and, in addition to resistors, there are a number of other components which will show readings on an ohmmeter such as transformer windings, electrolytic capacitor leakage, forward and backward resistance of semiconductor diodes, vacuum tube filaments and, of course, transistors.

One of the tricks of resistance troubleshooting is finding resistance paths that aren't where they should be, or paths that have too little (or too much) resistance. To do this you'll have to learn how to spot the resistance paths on a schematic diagram, and how to figure out where and what they should be at different points in the chassis wiring.

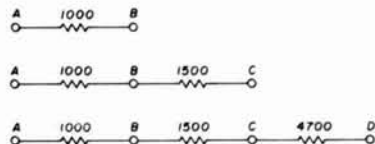


fig. 4. When resistances are in series their values add directly.

Simple series resistance paths, such as those shown in fig. 4, are both the easiest to spot and the simplest to analyze. It would be difficult to mistake the A-B path shown first — it's 1000 ohms between points A and B. In the second series path the 1000 ohms between A-B adds to the 1500 ohms between B-C for a total resistance of 2500 ohms. The third series path, between points A-D, is also pretty easy, adding up to 7200 ohms.

It's important to recognize in the simple series circuits of fig. 4 that adding the B-C and C-D resistance paths had no effect on the A-B resistance. In all three

cases an ohmmeter connected to points A and B would indicate 1000 ohms. You can add as many series resistors as you want and A-B will remain at 1000 ohms.

Another important point concerning series resistances is that you can measure each of the individual paths independently (B-C or C-D, for example) and the other series paths will not interfere with the reading. You can also directly measure path A-C (if you wish (2500 ohms), or a path A-D (7200 ohms).

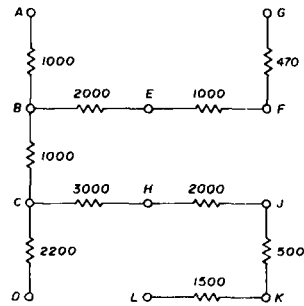


fig. 5. These resistances, although not arranged in straight lines as those in fig. 4, are in series and can be added directly.

Resistance paths don't necessarily have to be drawn in a straight line to be in series. An example is shown in fig. 5. An ohmmeter connected between points A and D measures the A-D path directly; the resistance is 4200 ohms. None of the other resistances in the circuit has any effect on path A-D because they are not in series with it (or shunted across it). The same thing is true about path A-L. In this series circuit only the resistance between points A and L have a bearing on the resistance of the path — it can be measured directly by simply connecting the ohmmeter leads to points A and L (9000 ohms). The resistances in paths B-G and C-D are ignored because they're not in series with path A-L. If you're in doubt, trace path A-L: A to B, to C, to H, to J, to K, to L.

Now consider the path from F to K (9500 ohms). It goes from F to E, to B, to C, to H, to J, to K. An ohmmeter connected between F and K measures only that path, and indicates 9500 ohms. None of the other paths in the circuit have any effect because they are not in series with path F-K.

Suppose you were troubleshooting a circuit like fig. 5 and measured 8000 ohms between B and J. The schematic shows series resistances totaling only 6000 ohms in the B-J path. At least one of the resistors has changed value and you have to determine which one it is. One way to find the answer is to individually measure each resistance. Since there are several resistors in the circuit, that can take a fair amount of time. A better way is to work your way through the circuit from one end to the other. Leave one ohmmeter lead on B and move the other lead from J to H. If the reading drops to 4000 ohms it means that path H-J is at fault. If the reading only drops to 6000 ohms, however, it means that H-J is okay and the trouble is in the B-H path. One more measurement should locate the bad resistor.

Those are the basic principles of troubleshooting around series resistance circuits. There are plenty of series resistance circuits in electronic equipment, and as

long as the resistors are in series, tracking down trouble is pretty easy. If the resistors are in parallel, however, as will be discussed next, the task is a bit more difficult — at times it can be downright confusing.

parallel resistors

Three very simple parallel resistance paths are shown in fig. 6, but you're not likely to find anything as simple as this in any electronic equipment. Nevertheless these simple circuits are a good starting point. So far as an ohmmeter is concerned, the path between points A and B is merely path A-B. As you can see from the diagram, however, it isn't nearly that simple because there are actually two resistance paths in the first two circuits (A-B and C-D) and five actual resistance paths in the third.

The resistance of path A-B is 500 ohms because the resistance of two parallel resistances of the same value is half the resistance of either resistance by itself, (similarly, the parallel resistance of three equal-value resistors is one-third the value of one resistance, and the parallel resistance of four equal-value resistors is one-fourth the

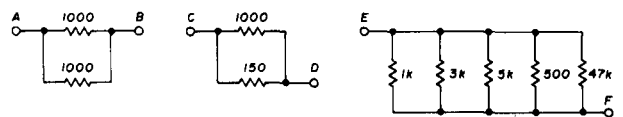


fig. 6. Parallel resistance paths are more difficult to calculate. A formula is given in the text below for calculating the equivalent resistance of a parallel resistance network.

value of one resistance, etc.). This is another way of saying that resistances in parallel add inversely. A general equation which can be used to calculate the parallel resistance of any number of resistors, of any value, is

$$\frac{1}{R_T} = \frac{1}{R_1} + \frac{1}{R_2} + \frac{1}{R_3} + \frac{1}{R_4} + \frac{1}{R_5} + \dots + \frac{1}{R_n} \quad (1)$$

where R_T is the parallel resistance and R_1, R_2, R_3 , etc. are the values of the resistors in each of the parallel branches. If only two resistors are in parallel, eq. 1 can be rewritten into the form

$$R_T = \frac{R_1 \cdot R_2}{R_1 + R_2}$$

Although it may not be immediately obvious by looking at the parallel resistance formulas, whenever a resistance is added in parallel to a circuit, it always lowers the resistance between two points. In fact, the parallel resistance is always less than the lowest resistance in any branch of the parallel path. The C-D path in fig. 6 shows a situation where one branch of the parallel circuit has much lower resistance than the other. Calculated by the parallel resistance formula, path C-D has a resistance of 130.4 ohms. This would be the resistance measured between points C and D with an ohmmeter.

If you should run into this circuit in a bench test, consider what it means if you measure path C-D and find

a reading of 150 ohms. You can assume the 1000-ohm resistance has opened up or has changed value to some extremely high resistance (in general, if a parallel resistance is 100 times higher than the other resistor in the circuit, it will lower the parallel resistance by approximately 1%). Conversely, if you check path C-D with your ohmmeter and find that it measures 1000 ohms, the 150-ohm resistor is at fault.

To check the use of the parallel resistance formula, calculate the resistance between points E and F in fig. 6. Your answer should be 281.32 ohms. If you remove the 47k resistance and run through the calculation again, you'll find the parallel resistance of the circuit has increased only slightly, to 283.02 ohms. This is because the 47k resistance is nearly 100 times greater than the smallest resistance in the circuit.

One of the problems with parallel resistance paths in electronic equipment is that they are seldom as obvious as those in fig. 6. In practice parallel resistance circuits may have branches all over the chassis, and they are often arranged in rather strange shapes as shown in fig. 7. At first glance, for example, path A-B looks like a

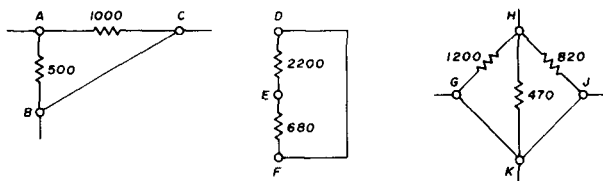


fig. 7. Although it might not be readily apparent, these three circuits are actually parallel resistance circuits. In practical circuit work there may often be hidden parallel circuits which can fool the unwary.

simple 500-ohm path. Since B is connected to C, however, resistance A-B is actually in parallel with resistance A-C for a total parallel resistance of 333 ohms. Connect an ohmmeter between points A and B (or between A and C) and this is what it would indicate.

Now consider the D-E-F resistance path in fig. 7. Although the two resistors appear in series, they're really not by virtue of the fact that D is connected directly to F. Any current which enters the circuit at D flows through both resistors to reach E. An ohmmeter connected at points D and E measures the combined parallel resistance of the two and indicates 519 ohms.

Now that you're looking for sneak parallel paths it should be easy to sort out the parallel resistors in path H-K. Points G, J and K are electrically the same so the three resistors are in parallel, and an ohmmeter connected between points H and K would measure 239 ohms.

These simple parallel resistance hookups are illustrated primarily so you won't overlook a parallel resistance connection just because it isn't obvious. In many circuits, in fact, many of the hidden parallel resistance paths are through other types of components and don't actually appear on the schematic as resistance paths. In every case, however, any parallel resistance path always

lowers the ohmmeter reading to a value less than the lowest value in any branch of the parallel path. If you forget that one simple fact, resistance troubleshooting can be very confusing — remember it, and you can use this technique to pin down some very elusive faults.

series-parallel resistors

In most electronic circuits you won't find only series or parallel resistance, but a combination of the two. A few of the possibilities are shown in fig. 8. In the first

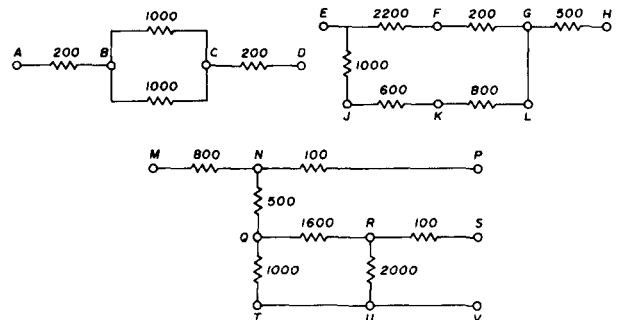


fig. 8. These series-parallel resistance networks are more like those which you will find in real circuits. To figure out the total path resistance first calculate the equivalent parallel resistance, then add the series resistance. Examples are given in the text.

circuit paths A-B and C-D are in series with the two-branch parallel path, B-C. To find out what resistance to expect if you connected your ohmmeter between points A and D, first calculate the resistance of path B-C; it's 500 ohms. Therefore, the total resistance from A-D is $200 + 500 + 200$, a total of 900 ohms.

The second series-parallel circuit in fig. 8 is slightly more complicated, but it's not difficult to figure out if you look at it carefully. The path from E to G is made up of two parallel branches, both of which have more than one series resistance. To calculate the parallel resistance of path E-G, first add the series resistance in each of the parallel paths E-F-G and E-J-K-L-G, calculate the parallel resistance, and then add the series path G-H:

$$\begin{aligned} \text{path E-F-G} &= 2400 \text{ ohms} \\ \text{path E-J-K-L-G} &= 2400 \text{ ohms} \\ \text{path E-G} &= 1200 \text{ ohms} \\ \text{path E-G-H} &= 1700 \text{ ohms} \end{aligned}$$

The third series-parallel circuit in fig. 8 looks even more complex, but if you study it carefully for a moment you'll see that it's quite easy to figure out the total resistance between any of the points of the circuit. Path M-P, for example, is a simple series path equalling 900 ohms. None of the other resistors in the circuit have any effect because they're not in series or parallel with that path. Path M-S, however, has a parallel branch which must be considered (Q-R is in parallel with Q-T-R); 1600 ohms in parallel with 3000 ohms or 1043 ohms parallel resistance. The total resistance between points M and S is

$$800 + 500 + 1043 + 100 = 2443 \text{ ohms}$$

This is what your ohmmeter would measure if it were connected across M and S.

There is one other resistance path to consider in this circuit: M to V. In this circuit path Q-R-U is in parallel with path Q-T-U (3600 ohms in parallel with 1000), for equivalent parallel resistance of 783 ohms. Therefore, the total series resistance between M-V is

$$800 + 500 + 783 = 2083 \text{ ohms}$$

hidden resistance paths

There are two components which will most likely give you false ohmmeter readings: semiconductors and electrolytic capacitors. Since electrolytics are used for power supply filters and decoupling, they are spread throughout any electronic circuit, so it's pretty hard to avoid them and their dc leakage currents which register as resistance on your ohmmeter. In solid-state equipment many of the coupling capacitors are also electrolytic types (as opposed to paper or plastic capacitors used in vacuum-tube circuits), and these can give you a lot of grief if you don't know what you're looking for. Bipolar transistors also give problems because each of the junctions looks like a diode to your ohmmeter, with greater resistance in one direction than in the other.

Fortunately capacitance leakage paths and semiconductor resistance paths follow certain patterns. If you know the patterns you won't be fooled -- and even if you are fooled at first it shouldn't take you too long to get back on the right track. Here are a few of the patterns to keep in mind:

1. Diode action can usually be checked by simply reversing the ohmmeter leads. Consider the circuit of fig. 9. Suppose the resistance reading from the 12 Vdc terminal to ground (power off, of course) measures about 150 ohms. It looks like filter capacitor C1 has shorted. To check, move the test lead to the junction of R1-C1 -- a very low resistance there seems to confirm that capacitor C1 is shorted. Before you jump to conclusions, however, reverse the test leads and repeat the measurement. The low reading will probably disappear. Why? Because the internal battery of the ohmmeter has forward biased the rectifier diodes, causing them to provide a low-resistance path to ground through the transformer center tap.

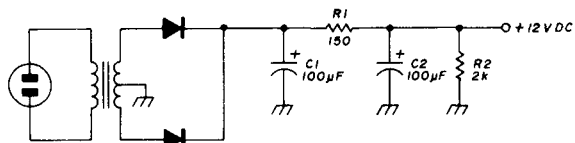


fig. 9. Simple solid-state power supply. Measured resistance from the 12 Vdc terminal to ground may be lower than expected because of a hidden path to ground through forward-biased rectifiers.

Whenever the negative side of the ohmmeter battery (sometimes the black test lead, but not always) is connected to the cathode end of a semiconductor diode and the positive lead is connected to the anode, the ohmmeter reads the diode's forward resistance (usually less

than a few ohms). Reversing the test leads reverse biases the diode and measures the diode's back resistance which is typically 100k or more. Therefore, if you find a resistance path which is much lower than it apparently should be, reverse the test leads to make sure a semiconductor diode (or bipolar transistor) isn't causing the lowered resistance reading.

2. Transistor leakage can cause the same sort of measuring problems as diodes because both the base-collector and base-emitter junctions are, in essence, diodes so a transistor junction that is forward biased by the ohmmeter battery looks like a low-resistance path. Consider the circuit of fig. 10 where an npn transistor is used in a typical rf mixer circuit. Suppose you connect your ohmmeter across resistor R2 to measure it. Instead of the expected 2700 ohms the meter reads about 50 ohms and you figure R2 has changed value. If you reverse the meter leads, however, you measure about 2100 ohms.

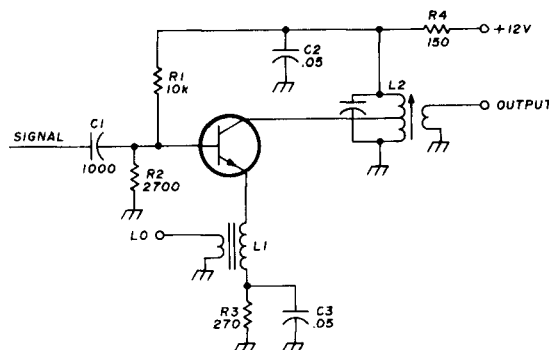


fig. 10. Rf mixer circuit using a bipolar transistor. There are many hidden resistance paths in this circuit which can be confusing if you're not aware of them.

The reason the ohmmeter indicated 50 ohms in the first case, of course, is because the base-emitter and base-collector junctions were forward biased, so the base-emitter junction resistance (about 50 ohms) provided a parallel path to ground through the 270-ohm emitter resistor, R3, and the forward-biased base-collector junction provided a path to ground through L2. When the test leads are reversed the two transistor junctions are reverse biased and your ohmmeter measures the parallel resistance path provided by R1 and R2 (about 2125 ohms).

When checking npn transistor circuits remember that the base-emitter (or base-collector) junction is forward biased when the base is positive and the emitter (collector) is negative. In pnp transistor circuits the two junctions are forward biased when the base is negative and the emitter (collector) is positive.

3. Electrolytic capacitors have leakage currents which the ohmmeter reads as resistance. The leakage resistance of most electrolytics is in the range of 50 kilohms or so, so learn to allow for it when you're checking resistances along power supply lines. One clue to hidden resistance circuits which are caused by electrolytic capacitors is

that the resistance reading tends to increase if the test prod remains on the point. This is because the ohmmeter battery is charging the capacitor, and as the capacitor nears full charge it draws less current, which the ohmmeter interprets as a higher resistance. Reversing the test leads will cause most electrolytics to instantaneously measure as short circuits, but if the leads are left in place the capacitor will once again begin to charge and the meter pointer will move up scale to 50 kilohms or so, the normal leakage resistance of the capacitor.

Hidden resistance paths which are drawn elsewhere on the schematic can also cause erroneous resistance measurements. If you were to measure the resistance from the plate of V1 to ground in **fig. 11** you might expect to find an infinite reading. Instead you find a low resistance reading caused by the voltage-dividing network in the screen circuit of V12 which is located on the other end of the schematic (**fig. 11B**). Hidden circuits such as this

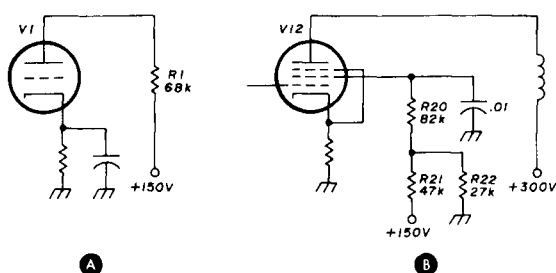


fig. 11. You might expect a resistance measurement from the plate of V1 to ground to be 100k. Actual measurement is much lower because of voltage-dividing screen network for V12 — a parallel resistance path which is hidden because of the way the schematic is drawn.

are usually a bigger problem in vacuum-tube equipment than they are in solid-state gear because base-bias networks are common practice in transistor circuits and you'll learn to work around them. Bias networks are less common in tube circuits, however, but when they do occur you'll probably find them at some remote point on the schematic where they're easily overlooked.

These are the four most common hidden resistance paths which can give you erroneous readings when you're troubleshooting by resistance measurements. When your ohmmeter readings are different from what the schematic leads you to expect, here are some quick checks to pinpoint the cause.

1. If a reading is low, reverse the ohmmeter leads. If the reading increases, there's diode action in the circuit which can be traced to a diode, transistor or a power supply rectifier. Only slight differences in readings when you reverse the test leads can usually be traced to electrolytic capacitors which don't form under reverse polarity.
2. If an ohmmeter reading starts at the low end of the scale and builds up slowly, an electrolytic capacitor is causing it through normal charging action. Reversing the test leads gives an even lower reading (often off scale)

which builds back up again to the higher one. The final reading should be 50 kilohms or greater and depends upon the condition of the capacitor. The clue here is the charging action.

3. If you're still looking for the cause of a low resistance reading, have eliminated semiconductors and electrolytic capacitors, and can find no hidden parallel paths at other points on the schematic, you're probably on the trail of the circuit problem.

Sometimes it's faster and easier to eliminate the effects of parallel resistance paths than it is to get around them. One troubleshooting trick that often helps is not to make resistance measurements with respect to ground — don't clip the common lead of the ohmmeter to the chassis. Make each resistance measurement between points *in the circuit*. This won't eliminate all the hidden parallel circuits, but it will isolate some of them, which is a help.

If necessary, disconnect unwanted parallel resistance paths when they get in your way. If you carefully plan your point-to-point resistance measurements, this shouldn't be required very often, but when it does happen it's usually a simple matter to temporarily unsolder the parallel component or resistance branch which is giving you fits.

On printed-circuit boards you can often unsolder one lead. Another technique the professionals use is to cut a slit across the copper foil with an Xacto knife to disconnect the offending circuit branch. The circuit is easily restored by a solder bridge across the narrow slit.

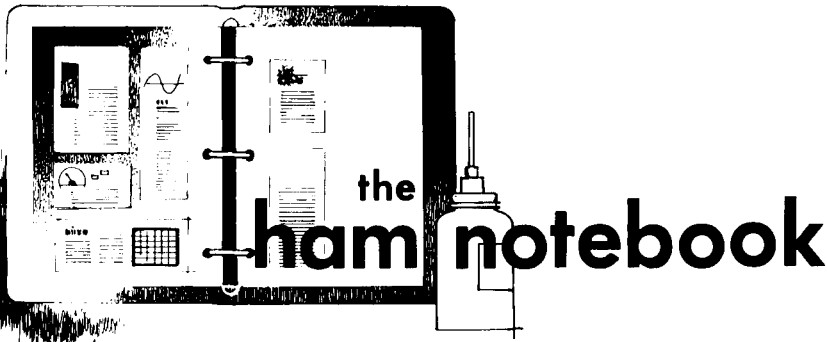
You can sometimes eliminate parallel circuit paths by pulling a tube or a transistor out of its socket. However, with fewer and fewer sockets on modern printed-circuit boards, this isn't always possible. In those cases it's easier to cut a slit in the circuit trace.

As a *final* resort, when you can't analyze a circuit any other way, you may have to disconnect and test each component in the circuit one at a time. This is a time consuming process, but if you've done your preliminary testing carefully, and eliminated most of the parallel resistance paths by one of the previous techniques, you'll have the problem narrowed down to a small section of the circuit so there shouldn't be too many parts to test individually.

conclusion

Although most manufacturers provide resistance charts in their instruction manuals, in those cases where charts are not available resistance troubleshooting is based entirely on figuring out from the schematic diagram just what a particular resistance path should be, and then measuring it with your ohmmeter. If the resistance isn't what you expect it to be you must isolate the one that's incorrect. In the coming months I will show how the technique of resistance troubleshooting, when coupled with voltage measurements and signal tracing, can be a very valuable tool for locating circuit problems in amateur equipment.

ham radio



the ham notebook

Mini-Mitter II modifications

The Mini-Mitter II* is no longer available in kit form. American States Electronics is now building an assembled MM-2C for sale primarily to government agencies for approximately \$600.00. I was able to pick up a used unit with a broken whip antenna. The following is offered on replacing the antenna together with some data on replacements for in-house brand ICs and transistors.

The stock antenna is 65 inches (1.65m) long. The manufacturer reports that his supplier no longer makes this length rod and has substituted a smaller one, as found in CB sets. No replacements are available. Lafayette Radio in their latest catalog lists a 67½-inch (1.7m) antenna (stock no. 99F32070), which is the only close replacement I've found. The base diameters differ, but replacement can be accomplished as follows:

1. Cut off the heat-shrink tubing covering the loading coil. Be careful not to nick any turns of the coil.
2. Two screws will be exposed, which hold the antenna rod and collar. Remove these two screws and pull off antenna and collar.
3. The collar is soldered to the antenna rod. Clamp the rod in a vise, heat the collar with a torch, and remove.
4. To accommodate the Lafayette rod, the collar must be bored out to 0.375 inch (1cm). Resolder the new antenna to the bored-out collar and reassemble to the loading coil.
5. Obtain a piece of 1½-inch (3.8cm) heat-shrink tubing to fit over the coil.

*Ken Pierce, W6SLQ, "Mini-Mitter II," *ham radio*, December, 1971, page 72.

Finding tubing this large may be the hardest part of the whole job.

Equivalents for the Mini-Mitter house-brand ICs and transistors are listed below:

FE5245	2N4416
A158C	HEP737
ASE77	TRW PT2677B
ASE400	RCA 3020A
ASE401	RCA 3021
ASE408	RCA 3028A

ASE's latest transceiver is the model MM-2C. Apparently there have been some modifications to decrease standby current drain in the audio output circuit and to increase transmitter output power. Perhaps a reader with a newer unit might comment on this.

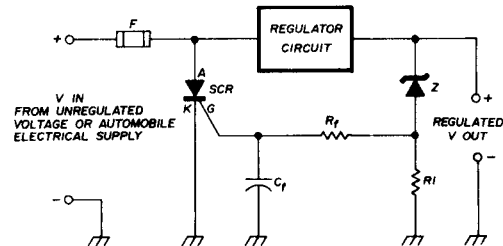
Charles King, K1ETU

overvoltage protection

Most solid-state electronic equipment in use today specifies an input voltage of 13.8 Vdc $\pm 15\%$. This represents a range of 11.475 to 15.525 Vdc. If the series element in the regulated power supply short circuits, the entire output from the rectifier (typically 18 to 30 Vdc) will appear at the input to your equipment. Few semiconductor circuits in popular use can withstand such abuse.

The crowbar (overvoltage protection circuit) shown in fig. 1 can be added easily to your power supply or automobile electrical system for just a few dollars. It will detect any overvoltage condition and immediately shut down the supply voltage before it fries your equipment.

Operation is simple. When V_{out} reaches a set value (determined by Z), the scr gate triggers, conducting heavily, and the fuse blows. This circuit has the



- F fast-blow fuse, typically 150% of nominal equipment load current
- R1 1000 ohms typical. Provides leakage current for zener diode
- Rf, Cf low pass filter to prevent noise spikes from turning on SCR. Rf - 100-1000 ohms typical, Cf = 0.10-0.05 μ F typical
- SCR rating determined by voltage and short-circuit current requirements
- Z zener diode voltage as required to detect over-voltage condition

fig. 1. Overvoltage protection (crowbar) circuit for regulated power supplies.

advantage of not loading the regulator should the scr fire because of some transient condition. More important, the fuse immediately opens because of the short circuit condition. This fast-turn-off feature is important, because the time required to open a fuse is a function of the load current, fig. 2. A typical 10-watt transceiver may draw 2 to 3 amps on

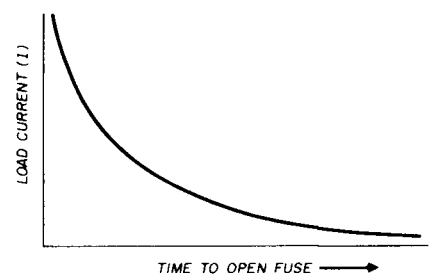


fig. 2. Relationship of load current and fuse rupture.

transmit but only a tenth or so of this value in receive, permitting a potentially damaging situation.

To check the crowbar, temporarily install a 500-ohm resistor in the scr anode circuit (fig. 3). Increase output voltage to the maximum desired and check to see if the scr fires properly, which will be indicated by a sudden voltage increase as measured across the 500-ohm resistor.

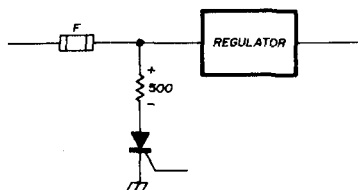


fig. 3. Test circuit for checking crowbar.

If necessary change Z or add diodes in series (germanium 0.3 V or silicon 0.6 V) to obtain the desired trip voltage. When all is well, remove the resistor. The scr will conduct until power is removed from the circuit. This circuit is analagous to buying insurance: you may never use it, but you may be sorry someday without it.

Ed Pacyna, W1AAZ

R-392 receiver mods

The R-392 receiver is hot, stable, and provides full coverage between 0.5 and 30 MHz. However, the compromises involved in modifying it for 28 Vdc on filaments and plates need shaping up. Here are some suggestions.

First bring out the plate and filament leads separately. The receiver is happier with somewhat more than 24 volts on the plates, somewhere between 30 and

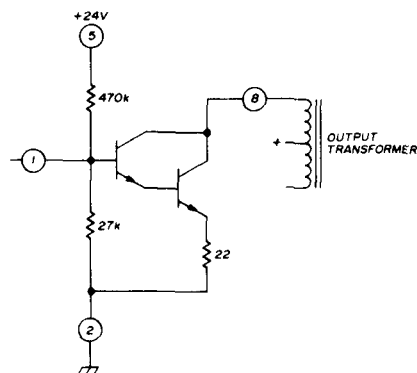


fig. 4. Simple audio replacement for V608.

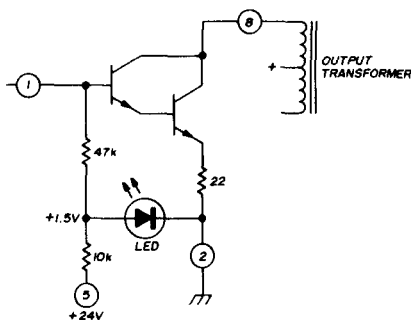


fig. 5. Improved audio replacement.

35 volts. Build a supply that will provide over 30V from a bridge rectifier. Filter the supply with 3000 μ F or more (the receiver tolerates 2 to 4 V of hum). Power the entire receiver this way first. The tubes in my set withstood 37 V for a few hours. Next add a dropping resistor (2 ohms, 20 watts) to the filament lead. Leave the plate lead on the higher voltage.

The audio output tube has to go. This tube pulls a total of 1.3 watts, plate and filament. The designers must have known it had to go: the manual shows a plug-in transistor substitute.

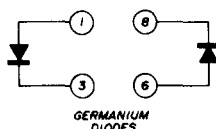


fig. 6. V602 and V603 replacements.

However, their substitute uses 15 components including four transistors and two transformers. A better substitute is shown in fig. 4. Use a single Darlington power transistor with no extra heatsink; connect the collector to existing pin 8, emitter through 22 ohms to existing pin 2 and ground, and base to existing pin 1. Bias the Darlington with 27k to pin 2 and ground and 470k to pin 5 (+28 V, formerly the screen supply). Build this assembly on an octal plug. Adjust the 470k resistor to obtain 0.2 to 0.7 V across the 22-ohm resistor.

An improved circuit is shown in fig. 5. A LED makes an excellent 1.5 V zener — much better than a zener at low current. I used 10k to a LED to obtain 1.5 V and 47k from the LED to the Darlington base. That's a total of five components. The dropping resistor in the power supply can now be increased to 4 ohms. You have removed 16 watts

from the filament string.

Next we operate on the detectors. V602, V603 are 12AU7s with filaments in series. They are used as four diodes for detectors and agc. Pull out V603 and insert two germanium diodes into the socket holes, one with anode to pin 1 and cathode to pin 3 (see fig. 6), and the other with anode to pin 6 and cathode to pin 8. The set should work, even with V602 dead. Insert two more diodes in the same places on V602 socket to get the squelch rectifier and agc working again.

You can now increase the power-supply dropping resistor to about 8 ohms, and the filament string will have decreased from 3 to just over 2 amps. The radio has now become practical, and you haven't had to take the chassis apart. The next step should involve fet substitutes, a very practical possibility with only 30 volts on the plate bus.

N. J. Thompson, KH6FOX

selecting white noise diodes

Several articles have appeared in *ham radio* on how to build an rf noise bridge for measuring antenna impedance. The following method for finding a suitable noise diode is the utmost in simplicity.

The equipment needed is a variable voltage supply between 5 and 10 volts, a variable resistor box or potentiometer, and your communications receiver. If you don't have a variable power supply, use a 9-volt battery. However, if you wish to know more about the characteristics of each diode, a variable supply will be needed and each diode can be catalogued. The test setup is shown in fig. 7.

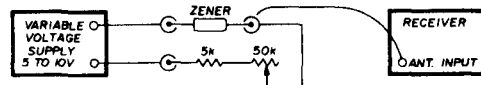


fig. 7. Setup for testing "noise generator" zener diodes.

Turn on your communications receiver and run a short antenna wire to within a few inches of the diode under test, apply 9 volts to the diode with a series resistor of about 10k to 40k. If no noise is heard, reverse the diode polarity. When the noise has been maximized for the range of 7½ to 9 volts, use

an ohmmeter to measure the total resistance of the variable resistor plus the fixed resistor. About ten per cent of the diodes tested gave an output sufficient to produce a roar from the receiver loudspeaker, and the optimum resistance was 33k.

With a variable power supply you can optimize and catalog each diode for voltage and resistance. I selected my diodes for the noise bridge using 9 to 7½ volts at some given resistance, which provides the greatest use of a 9-volt battery.

Lloyd Jones, W6DOB

goral oscillator notes

The Goral crystal oscillator circuit described by Don Stoner in *ham radio** appears to be excellent in many respects. I have found, however, that the proper value of C2 in fig. 4 of the original article is a critical function of the capacitance for which the crystal is calibrated. Crystals for the GE Progress Line, for example, are ground to operate into a 10-pF load and will not oscillate on their proper frequency using 20 pF as the value of C2. Data on two different crystals for a GE Progress Line receiver are shown in fig. 8. A value of 12 pF for C2 is more suitable as it al-

*Donald L. Stoner, W6TNS, "High-Stability Crystal Oscillator," *ham radio*, October, 1974, page 36.

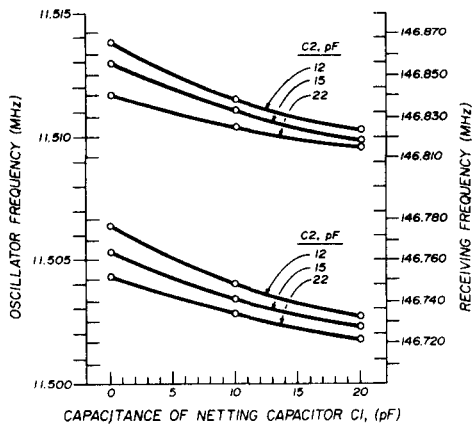


fig. 8. Effect of netting capacitor C1, and capacitor C2 on oscillator and receiving frequencies using a Goral oscillator. Crystals were ground for 11.5050 (146.160) and 11.5125 (146.850) MHz use when operated into a 10 pF load in a GE Progress Line receiver.

lows the crystal to be netted using an 8-pF trimmer capacitor at C1. The data also illustrate the wide frequency range over which the oscillator will operate when different values of C1 and C2 are used.

Robert E. Cowan, K5QIN

simple crystal oven

This unit can be added to existing equipment, such as a frequency counter, that uses a crystal oscillator as a reference frequency. It provides proportional rather than on-off control. All components are mounted on the crystal with several advantages. All heat produced (2 watts maximum) is used in maintaining the crystal temperature, so power consumption is low. All oven components except the trimpot operate at the crystal temperature, aiding stability. Parts layout and schematic are shown in fig. 9.

Installation is simple. Note that the TO-5 transistor case is at ground potential. The crystal socket and a simple tie around the foam insulation are sufficient support because of the light weight.

The thermistor, which was from a transistor amplifier bias circuit, is about 1k at room temperature. Values much different from this might require circuit changes. For correct operation the current through the thermistor (about 1 mA) should be much more than the base current of transistor Q1 (0.1 mA). Q1 and Q2 should have low leakage currents. If Q2 is a silicon type, increase the 150-ohm resistor to 680 ohms.

The supply voltages may be available in the existing equipment power supply, and maximum drain is only 200 mA. An unregulated voltage higher than 9 volts would require higher-value heating resistors. Power transistor Q2 supplies some of the heat when the operating temperature is reached and proportional control occurs.

Temperature stability depends on the 5-volt supply and the efficiency of the foam insulation, which can be attached neatly with masking tape. Some heat unavoidably leaks through the crystal socket.

The oven should operate a little above the maximum temperature expected inside the equipment, which

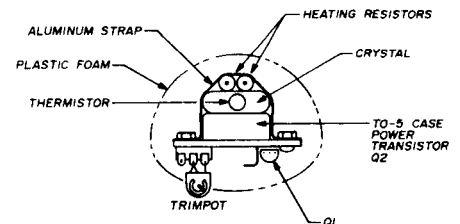
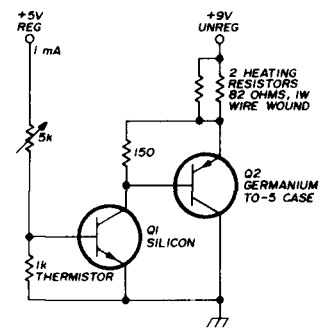


fig. 9. Simple crystal oven.

should be well ventilated. Set the trimpot so the current from the unregulated supply is about 30 mA with the equipment at maximum temperature. My unit reaches operating temperature in 5 to 10 minutes, depending on the ambient temperature.

P. H. Mathieson

notes on 3-400Z, 3-500Z filament circuits

The popular 3-400Z and 3-500Z zero-bias triodes used in cathode-driven amplifiers require 5 volts for the filament supply. A pair will draw 29 amps of filament current. This relatively high current can lead to a series of problems all having the same net result: low filament voltage from excessive resistance somewhere in the filament circuit. Let's assume that in the filament circuit an undesired resistance of only 0.01 ohm is caused by a poor solder connection. At 29 amps, this resistance will result in a voltage drop of 0.29 volt. It will also result in 8.4 watts being dissipated as heat in the already poor connection.

The practical result of this situation was seen in a commercially made amplifier using a pair of 3-400Zs. After about a year of operation, the amplifier gradually started losing output power. The problem has all the appearances of one

or both tubes going bad. The amplifier was upended for a close examination of the filament circuit. The connections from the filament choke had the appearance of cold solder joints. A voltmeter check (performed with the high voltage disabled) showed less than 4.5 volts on the filaments, measured right at the tube pins. A voltage drop of more than 0.1 volt was measured across each of the four solder connections for the filament choke. Enough heat had been generated to soften the solder at each connection. When the four connections were cleaned and resoldered, 5 volts were measured at the tube filaments. Not only was the lost power regained; the amplifier actually put out more power than it had when brand new! In this case the connections were marginal from the start, and enough heat had been generated to continue oxidizing the solder, resulting in a slow deterioration of the connections until finally there was a noticeable degradation in performance.

Every soldered connection in the filament circuit is a potential source of trouble in this regard as are the pressure contacts between tube pins and socket. So if your amplifier has lost some of its pep, check the filament voltage at the tube socket before investing in new tubes. A good solder connection should have no appreciable voltage drop across it, even at 29 amps, but there may well be a drop of 0.1 volt or more across each half of the filament choke, depending on wire size. Prolonged operation with low filament voltage can result in a loss of some of the filament emission. Should this occur, it may be restored by operating the tube at normal filament voltage with no drive or plate voltage for about an hour.

If it appears that the filament has burned out, try resoldering the filament pins and you may be pleasantly surprised. It's not unheard of for the tube pin to develop a poor solder connection and open up completely. Another tube problem that occasionally occurs is a filament-to-grid short.* If this happens while the tube is still in warranty, of course it should be returned to the manufacturer for a replacement. Even if the tube is out of warranty, the situ-

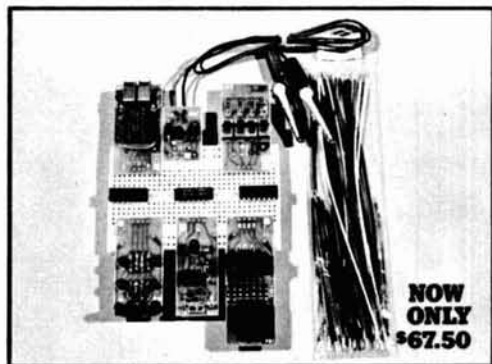
*A filament-to-grid short can occur if the filament is allowed to sag against the grid. When upending the chassis to make voltage measurements, make certain the tube is oriented vertically. **editor**

ation is not necessarily hopeless. Often it's possible to burn out the short by discharging a large capacitor through it. Measure the resistance from each end of the filament to the grid. Use the filament pin that gives the lower reading, which will allow more current to flow and is more likely to melt the short. One 3-400Z was successfully repaired in

this manner four times using a fully charged 2500 μ F 200-volt capacitor. Each time this was done, no doubt some of the thin wires in the grid structure were damaged. On the fifth occasion the filament burned out, but the need to purchase a new tube was successfully delayed for over a year.

John E. Becker, K9WEH

New Hardware for Learning Digital Electronics



Now there's a new hardware system for teaching yourself digital electronics. It's designed to complement our top selling Bugbook I & II. Bugbooks cover everything from simple gates to shift registers. And now we're offering all of the hardware you'll need to complete the experiments.

You'll get all required "outboards" in kit form, including the power, logic, switch, seven segment readout, clock, LED lamp monitor, and dual pulser outboards. A jumper package and starting IC package. And the E&L SK-50 solderless breadboarding socket. All for only \$67.50. If you need Bugbooks I & II, they're an additional \$16.95 for the set. All postage and shipping is prepaid anywhere in the continental U.S. Send your check or money order today.

CIRCUIT DESIGN, INC.

P.O. Box 24

Division of E&L Instruments

Shelton, Conn. 06484

— Please send me your new hardware package (#IS-4K) learning digital electronics. My \$67.50 is enclosed.

— Please send me Bugbooks I & II (#IS-SW). \$16.95 is enclosed for them.

Name _____

Address _____

City _____ State _____ Zip _____

Please enclose check or money order. Shipments will be prepaid.

Wilson Electronics Corp.

"FACTORY DIRECT ONLY"



WILSON "WE-224" MOBILE

SPRING SPECIAL

\$209⁹⁵



90
Day
Warranty

10 Day
Money Back
Guarantee

FEATURES

- 24 Channel Operation
- One priority Channel
- Selectable 1 or 10 Watts Out
- 10.7 Monolithic Filter Installed
- 455 KHz Ceramic Filter
- Numerical Read-out on each Channel
- Built-in Adjustable "Tone- Burst" Generator
- Front Panel Tone Burst Control
- Accepts Wilson 1402 & 1405SM Xtals
- Individual Trimmer Capacitors for both TX/RX
- Mosfet Front End
- Helical Resonator
- High VSWR Protection Circuit
- Reverse Polarity Protection Circuit
- NBFM - 15 KHz Channel Separation
- External Speaker Jack
- Built-in Speaker
- Dynamic Microphone Included
- Mobile Mounting Bracket Included
- Frequency Range 144-148 MHz
- 6 1/2" W x 2 1/2" H x 9 1/2" D
- Weight: 5 1/2 lbs.
- Power Requirements:
 - Source: 13.5 VDC \pm 10%
 - Receive: .45A
 - Transmit: 2.6A (10W), .7A (1W)

SPECIAL INCLUDES:

- WILSON "WE-224"
- MOBILE MIKE
- MOUNTING BRACKET
- 146.52/52 SIMPLEX CRYSTALS
- TWO PAIR TX/RX CRYSTALS OF YOUR CHOICE.
(Common Repeater Frequency only)

SPRING Special on Wilson Hand Held 220 and 450

2202 SM

FREQUENCY RANGE 220 - 225 MHz

- 6 Channel Operation
- Individual Trimmers on all TX/RX Crystals
- All Crystals Plug In
- 12 KHz Ceramic Filter
- 10.7 and 455 KC IF
- .3 Microvolt Sensitivity for 20 Db Quieting
- Weight: 1 lb. 14 oz. less Battery
- Battery Indicator
- Size: 8 7/8 x 1 3/4 x 2 7/8
- Switchable 1 & 2.5 Watts Output
- 12 VDC
- Current Drain: RX 14 MA TX 500 MA
- Microswitch Mike Button
- Unbreakable Lexan® Case

USES SAME ACCESSORIES AS 1405
INTRODUCTION SPECIAL

\$239⁹⁵

INCLUDES

- 2202 SM
- Flex Antenna
- 223.50 Simplex Installed



4502 SM

FREQUENCY RANGE 420 - 450 MHz

- 6 Channel Operation
- Individual Trimmers on all TX/RX Crystals
- All Crystals Plug In
- 12 KHz Ceramic Filter
- 10.7 and 455 KC IF
- .3 Microvolt Sensitivity for 20 Db Quieting
- Weight: 1 lb. 14 oz. less Battery
- Battery Indicator
- Size: 8 7/8 x 1 3/4 x 2 7/8
- Switchable 1 & 1.8 Watts Output
- 12 VDC
- Current Drain: RX 14 MA TX 500 MA
- Microswitch Mike Button
- Unbreakable Lexan® Case

USES SAME ACCESSORIES AS 1405
INTRODUCTION SPECIAL

\$279⁹⁵

INCLUDES

- 4502 SM
- Flex Antenna
- 446.00 Simplex Installed

HAND HELD ACCESSORY SPECIALS

NOTE:
ACCESSORY SPECIAL
PRICE AVAILABLE
ONLY AT TIME OF
RADIO PURCHASE

DESCRIPTION	SPECIAL PRICE
BC1 - BATTERY CHARGER	\$29.95
BP - NI-CAD BATTERY PACK	10.95
LC1 - 1402 LEATHER CASE	8.50
LC2 - LEATHER CASE FOR 1405, 2202, 4502	8.50
SM2 - SPEAKER MIKE FOR 1402 AND 1405	24.95
TE1 - SUB-AUDIBLE TONE ENCODER INSTALLED	34.95
TTP - TOUCH TONE PAD INSTALLED (With Purchase)	49.95
XF1 - 10.7 MONOLITHIC IF XTAL FILTER INST.	8.95
CRYSTALS: TX OR RX (Common Freq. Only)	3.00



BC - 1
BATTERY CHARGER

Wilson Electronics Corp.

FACTORY DIRECT ONLY

SPRING SPECIAL

1402SM
HAND HELD
2.5 WATT
TRANSCEIVER
144-148 MHz

\$164⁹⁵



1405SM
HAND HELD
5 WATT
TRANSCEIVER
144-148 MHz

\$239⁹⁵



FEATURES

1402 SM

- 6 Channel Operation
- Individual Trimmers on all TX/RX Crystals
- All Crystals Plug In.
- 12 KHz Ceramic Filter
- 10.7 IF and 455 KC IF
- .3 Microvolt Sensitivity for 20 dB Quieting
- Weight: 1 lb. 14 oz. less Battery
- S-Meter/Battery Indicator
- Size: 8 7/8 x 1 7/8 x 2 7/8
- 2.5 Watts Minimum Output @ 12 VDC
- Current Drain RX 14 MA TX 500 MA
- Microswitch Mike Button

1405 SM

- 6 Channel Operation
- Individual Trimmers on all TX/RX Crystals
- All Crystals Plug In
- 12 KHz Ceramic Filter
- 10.7 and 455 KC IF
- .3 Microvolt Sensitivity for 20 dB Quieting
- Weight: 1 lb. 14 oz. less Battery
- Battery Indicator
- Size: 8 7/8 x 1 3/4 x 2 7/8
- Switchable 1 & 5 Watts Minimum Output @ 12 VDC
- Current Drain: RX 14 MA TX 400 MA (Iw) 900 MA (5W)
- Microswitch Mike Button
- Unbreakable Lexan® Case

SPECIAL ON EACH RADIO INCLUDES:

Flex Antenna
52/52 Simplex Xtal

Optional
Touch-Tone Pad
Shown

Can be Modified
for
MARS or CAP

10 Day
Money Back
Guarantee

90
Day
Warranty

TO: WILSON ELECTRONICS CORP., 4288 S. POLARIS AVE., LAS VEGAS, NEVADA 89103
(702) 739-1931

SPRING SPECIAL DIRECT SALE ORDER BLANK

____ 2202 SM @ \$239.95. ____ 4502 SM @ \$269.95. ____ WE-224 @ \$199.95 ____ 1402 SM @ \$164.95. ____ 1405 SM @ \$239.95.
Accessory Special Prices Available Only at Time of Radio Purchase.

____ BC1 @ \$29.95. ____ BP @ \$10.50. ____ LC1 @ \$8.50. ____ LC2 @ \$8.50.

____ SM2 @ \$24.95. ____ TE1 @ \$34.95. (SPECIFY FREQUENCY _____)

____ TTP @ \$49.95. ____ XF1 @ \$8.95. ____ TX or RX XTALS @ \$3.00 ea. ____ INSTALL XTALS @ \$7.50/Radio.

EQUIP TRANSCEIVER AS FOLLOWS: XTALS A. _____ B. _____

C. _____ D. _____ E. _____ F. _____

ENCLOSED IS _____ CHECK MONEY ORDER MC BAC

CARD # _____ EXPIRATION DATE _____

NAME _____

ADDRESS _____

CITY _____ STATE _____ ZIP _____

SIGNATURE _____

SHIPPING & HANDLING PREPAID FOR SPRING SPECIAL

VALID ONLY APRIL 1 THRU 30, 1976

HR

NEVADA RESIDENTS ADD SALES TAX



NEW products

144- and 220-MHz fm transmitters



VHF Engineering has just announced two vhf fm transmitter kits for 144 and 220 MHz, the TX-144B and TX-220B. These new kits offer state-of-the-art design using pre-wound coils, epoxy-glass circuit board, temperature-compensated crystal trimmer, and have a nominal output of 1.5 watts.

Both construction and tune-up have been simplified through the use of pre-wound coils and tune-up test points, making these units one-evening projects. Special tools or equipment are not required. Only a low-wattage soldering iron, solder, wire cutters, and long-nosed pliers are needed for construction. Tune-up requires only a VOM, a small light bulb, and a non-metal hex tuning tool.

The basic transmitters are offered as single channel units, but may be multi-channelled through the use of a simple switch or by using the inexpensive ten-channel option. Companion receiver kits and power amplifier kits are available so that the average amateur may build his own vhf fm transceiver at a very nominal cost. These units may be ordered

directly from VHF Engineering, 320 Water Street, P.O. Box 1921, Binghamton, New York 13902 or from one of their many dealers throughout the country. The TX-144B and TX-220B kits sell for \$29.95 each plus shipping. New York State residents should add sales tax.

programmable-memory keyer

If you're a contest operator you'll be interested in the MK-75 keyer by Brown and Simpson Engineering of Ontario, Canada. The MK-75 features design innovations especially tailored for serious competition work. The best features of the Accu-Keyer and the TO-type keyer have been incorporated into the MK-75, making it easy to use for those familiar with either of these keying methods.

The MK-75 features self-completing characters, dot/dash memory (Iambic), as well as automatic letter and word spacing. A sidetone oscillator is also provided, with volume and tone controls. Speed range of the MK-75 is 5-65 wpm.

The MK-75 memory is quite versatile. To program a message, you place the READ/WRITE switch in WRITE position, press any one of the four quadrant buttons with its LED display, key in your message, and return the switch to READ position. To read a message, just press a quadrant button.

Suppose you wish to enter an insert into the preprogrammed message. Merely program the first part of the message as described above, press the INSERT button, program the remainder of the message, and return the READ/WRITE switch to READ. The memory is now ready for your insert message. To insert a message, such as W8XYZ NR 682, just press the appropriate quadrant button. The memory stops at the point where you wish to insert the message and waits while you insert the message manually. The memory then finishes the preprogrammed message after your insert.

The MK-75 includes many other features such as insert-function bypass, disable or delay of automatic restart capability, instant message interrupt, and message editing.

These are only the basic operations of the MK-75; the user's manual has more detailed information. Price is \$249.00, which includes shipping and handling in the U.S.A. and Canada. More information is available from Brown and Simpson Engineering, 17 South Edgeley Avenue, Scarborough, Ontario, Canada M1N 3K9, or use check-off on page 110.

rf power and swr meter



The model C1277 broadband power/ swr meter by Werlatone is an inexpensive instrument for amateur use in the hf and vhf range. The C1277 covers 27 to 450 MHz continuously and features dual power-range scales for 15 and 50 watts. A unique broadband coupler provides a useful bandwidth approximately eight times greater than previously available. No plug-in units or separate indicators are required. Wattmeter accuracy is $\pm 10\%$ when used with a 50-ohm antenna system. Sensitivity for swr measurements is less than 5 watts. ICAS power capability is 50 watts CW, 27 to 200 MHz; 25 watts CW, 200 to 300 MHz, and 15 watts CW, 300 to 450 MHz. Single-sideband power capability over the entire range is 50 watts maximum.

The model C1277 is attractively packaged in a 4x4x5 inch (10x10x12.5cm) enclosure and is equipped with a two-color, wide-view meter. The wideband directional coupler, which is weather-tight, may be removed from the enclosure for remote location.

No other environmental protection is needed.

The wattmeter is an in-line instrument and is a useful addition to your station for monitoring transmitter and antenna performance. Amateur net price of the model C1277 is \$89.50. If you'd like more information, write to Werlatone, Inc., Brewster, New York 10509, or use *check-off* on page 110.

semiconductor curve tracer



Hickok's new model 440 curve tracer, with exclusive *Insta-Beta* display, dynamically tests all types of semiconductors under actual conditions — in or out of circuit. Used with any scope having an external horizontal input, it generates calibrated characteristic curves that can be accurately scaled right from the screen. It safely tests jfets, mosfets, diodes, zeners, transistors, UJTs and SCRs — silicon or germanium, power or signal.

Insta-Beta takes the guesswork out of transistor beta and fet parameter calculations. In the transistor mode, *Insta-Beta* displays a single, full range I_C/I_B curve from which ac and dc beta can be instantly determined without interpolation. This curve also shows beta linearity at a glance. In the fet mode, *Insta-Beta* displays the entire transfer curve including pinch-off voltage, full-on current, and active portion for easy calibration of transconductance.

In normal semiconductor testing, a variable step control provides characteristic curve displays with up to ten steps per family (steps of base current for transistors and steps of gate voltage for

220 FM ANTENNAS

by  **cushcraft**

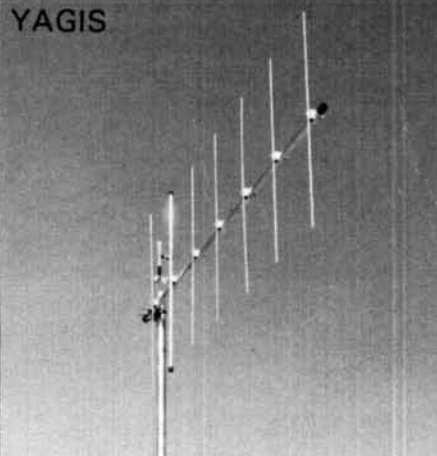
YAGIS

7 and 11 ELEMENT YAGIS: Cut and tuned for FM and vertical polarization. Rated at 1000 watts with direct 52 ohm feed, quick, neat assembly. 220-225 MHz

MODEL A220-11	A220-7
Boom 102"	70"
Wt/turn radius 5 lbs. 51"	2 lbs. 70"
Gain-F/B ratio dBd 13.2/28	11/26
Wind area sq. ft. .50	.40
Net Price	\$22.95 \$18.95

STACKING KITS: For two vertically polarized yagis, gives 3 dB gain over the single antenna.

A220-VPK complete kit	\$19.95
A21-SK coaxial harness only	\$13.95



POWER PACK



POWER PACK: 22 element array for 220 FM, with mounting boom, harness and all hardware. Gain 16 dBd F/B ratio 24 dB beam width 42°, dimensions 102" x 50" x 27", weight 12 lbs., 52 ohm feed. A220-22 \$56.50

OMNIDIRECTIONAL GAIN

RINGO: 3.75 dB gain half wave antenna direct dc ground, 52 ohm feed. Low angle of radiation, 1-1 SWR. Ready to install. MODEL AR-220-220-225 MHz, length 30", wt. 3 lbs., power 100 watts, wind area .20 sq. ft.

\$18.50 net

FOUR POLE: 9 dBd Gain offset, 6 dBd omni pattern. Excellent capture area and low angle of radiation. Mast not included. Mount on pipe or tower. MODEL

AFM-24D-220-225 MHz, length 15', wt. 5 lbs., Power 1000 watts, wind area 1.85 sq. ft. \$52.50

RINGO RANGER: A 6dB gain antenna with three half waves. Ranger gives an extremely low angle of radiation for better signal coverage. Perfectly matched to 52 ohm coax. 4.5 dBd - 6dB ref. ¼ wave whip.

ARX 220-220-225 MHz. \$28.50



IN STOCK WITH DISTRIBUTORS WORLDWIDE



cushcraft
CORPORATION

621 HAYWARD ST., MANCHESTER, N. H. 03103



THE FM LEADER



2 METER  **220 MHz** 
6 METER  **440 MHz** 

FEATURING THE ...

HR-2B



12 Channels
15 Watts
\$229⁰⁰ Amateur Net

The Master in 2 Meter FM

Positive performance at a practical price makes our HR-2B tops on 2 meters. Individual trimmer capacitors give bull's-eye accuracy for working repeaters or point-to-point. The $.35\mu\text{V}$ sensitivity and Hi/Lo power switch insure your hearing and being heard ... clearly and reliably ... the Regency way.

... AND THE

HR-440



12 Channels
10 Watts
\$349⁰⁰ Amateur Net

UHF—The Ultimate in FM

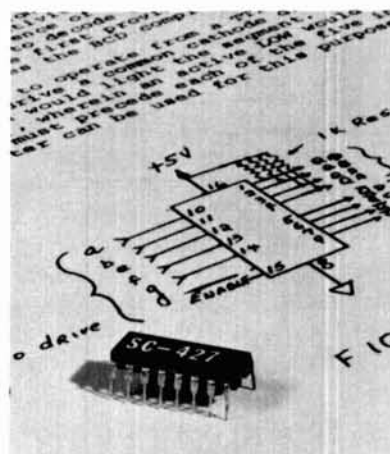
440 is fresh ... it's new ... and with our HR 440 you can use UHF without using-up your budget. So, pioneer some new ground! Put a compact HR 440 under your dash or at your desk. It's the best way to usher yourself into UHF.

fets). Maximum sensitivity of 1 volt per division is especially useful for measurements in the semiconductor threshold or turn-on region.

Controls are logically arranged on the front panel and use color coding and fast set-up marks where applicable. A handy pull-out card provides ready reference information for calibration, set-up and operation of the instrument.

For more information on the Model 440 Curve Tracer contact Tom Hayden, Instrumentation & Controls Division, Hickok Electrical Instrument Company, 10514 Dupont Avenue, Cleveland, Ohio 44108 or use *check-off* on page 110.

decoder ic



The SC-427 is a new decoder chip available from Scarpa Laboratories in a standard 16-pin DIP which accepts TTL conditioned inputs from a seven-segment display driver and converts them back onto a BCD output.

The device was designed to take advantage of the powerful computing capability of low-cost calculator chips which, in their present form, dead end into a visual digital display. By converting back into BCD format, the engineer is able to break out this extraordinarily economical data-reduction ability into useful computer, controller, time-clock or print-out functions. The unit can also be used to interface LSI clock chips to computers, controllers or printers.

The TTL-Schottky device operates from a single 5 volt supply and has a conversion speed of 25 nanoseconds, thereby requiring only one device for multiplexed displays. For more information, write to Scarpa Laboratories, Inc., 46 Liberty St., Metuchen, New Jersey 08840, or use *check-off* on page 110.

© 1976  **REGENCY ELECTRONICS, INC.** 7707 Records Street
Indianapolis, Indiana 46226

vhf transverter

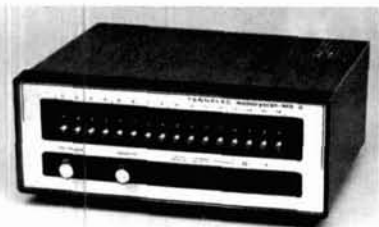


The new Europa B from Solid State Modules is a linear transmit and receive converter from 28-30 MHz to 144-146 MHz or 50-52 MHz and is suitable for use with either a transceiver or separate receiver/transmitter. It is ideal for Oscar operation as well as normal tropo work. A crystal switch and extra crystal can be installed to extend the frequency coverage. Although designed primarily for ssb operation, the Europa B will receive and transmit any mode which the hf equipment is capable, ssb, a-m, fm, FSK or CW.

The receiver converter is broad-banded to cover the entire vhf band without any tuning. It uses dual-gate mosfets for optimum sensitivity, gain and low cross-mod. The noise figure is 2 dB; converter gain is 30 dB. The transmit converter uses tubes to provide high power, good linearity and high rejection of spurious signals. Power input is 200 watts (50% efficiency, minimum), drive requirement, 200 mW. An optional ac power supply is available.

For more information on the new Europa B Vhf Transverter, write to Solid State Modules, 1624 Kaweloka Street, Pearl City, Hawaii 96782, or use *check-off* on page 110.

fm scanning receiver



Tennelec, Incorporated, is now offering an improved version of their Memoryscan fm scanning receiver, the Memoryscan MS-2. With this receiver you can monitor up to 16 low/high vhf and uhf channels without buying expen-

GET TO THE TOP FAST!

NOW YOU CAN CHANGE, ADJUST OR JUST PLAIN WORK ON YOUR ANTENNA AND NEVER LEAVE THE GROUND!

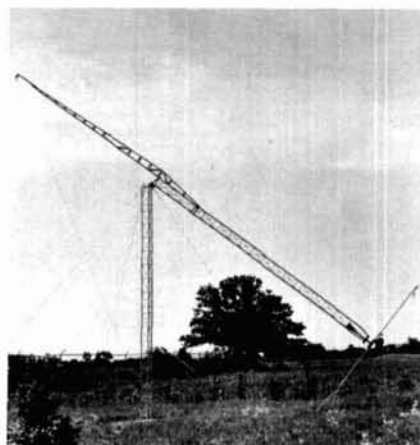
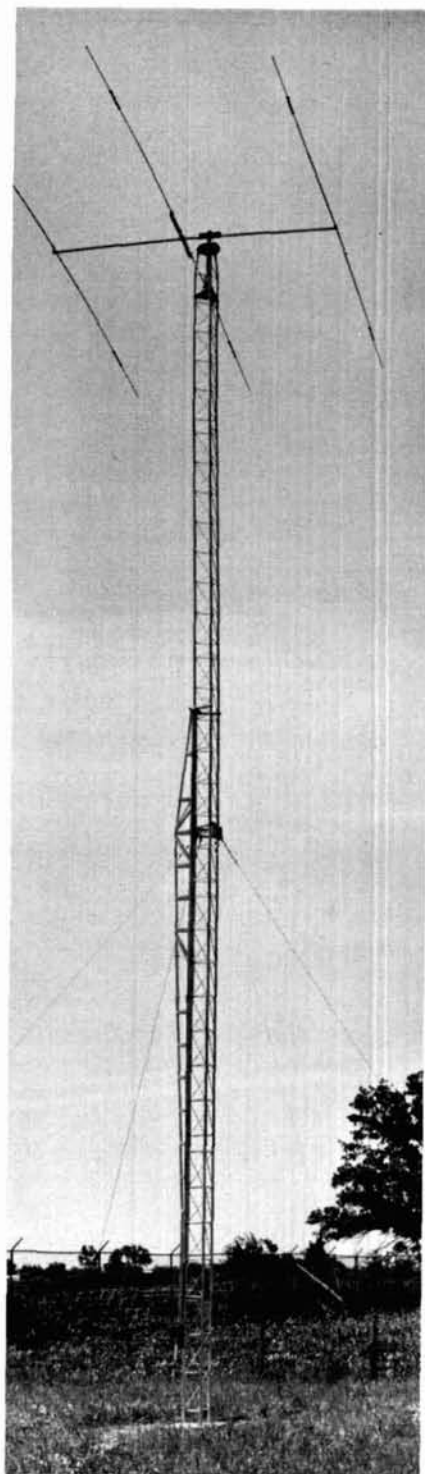
Rohn manufactures towers that are designed and engineered to do specific jobs and that is why we have the FOLD-OVER TOWER... designed for the amateur. When you need to "get at" your antenna just turn the handle and there it is. Rohn "fold-over" towers offer unbeatable safety. These towers let you work completely on the ground for antenna and rotator installation and servicing. This eliminates the hazard of climbing the tower and trying to work at heights that could mean serious injury in a fall. So use the tower that reduces the risks of physical danger to an absolute minimum... the Rohn "fold-over"!

Like other Rohn big communication towers, they're hot dip galvanized after fabrication to provide a maintenance free, long lived and attractive installation. Rohn towers are known and used throughout the world... for almost a quarter century... in most every type of operation. You'll be in good company. Why not check with your distributor today?



Unarco-Rohn

Division of Unarco Industries, Inc.
P.O. Box 2000, Peoria, Illinois 61601



NOW . . . from KLAUS RADIO

Kenwood's TS-700A



This is the 2-meter rig you've been hearing about. Forty-four channels, tunable VFO, SSB-CW plus that hard-to-beat Kenwood quality.

Features:

144 to 148 MHz coverage - SSB (upper & lower), FM, AM, and CW - Solid State Circuitry - Complete with mic and built-in speaker - operates on 120/220V, 50/60 Hz or 12-16V D.C. - Size: 278 (w) x 124 (h) x 320 (d) mm. - Wt: 11 Kg.

All this and much, much more for\$700.00 ppd. in U.S.A.

The Yaesu FT-221

is something else. One beautiful 2 meter Transceiver for Mobile or Base Station Duty. Here's another winner from Yaesu that you'll want to own.



Features:

144 to 148 MHz band coverage - SSB (upper & lower), AM, FM or CW - operates on 120/220V, 50/60 Hz or 13.5V D.C. - 11 crystal channels per band segment equals 88 channels - Built-in speaker - Size: 200 (w) x 125 (h) x 295 (d) mm. - Wt: 8.5 Kg

Lots of Performance and Quality for\$679.00 ppd. in U.S.A.

Send SASE NOW for detailed info on these systems as well as on many other fine lines. Or, better still, visit our store Monday thru Friday from 8:00 a.m. thru 5:00 p.m.

KLAUS RADIO Inc.

8400 N. Pioneer Parkway, Peoria, IL 61614
Jim Plack WB9BGS — Phone 309-691-4840

sive new crystals. Memoryscan MS-2 has been updated to include new fet rf stages and an effective new filter, all of which mean higher sensitivity, better adjacent-channel isolation, and cleaner, crisper audio.

The MS-2 may be programmed to receive any of 4000 frequencies by punching the appropriate code, listed in Tennelec's code book, into the scanner. Manual scan override is provided, as well as channel lockout switches and squelch. Visual frequency verification capability allows you to check whether the proper code has been programmed. An optional mobile kit is also available. The MS-2 retails for \$339.95. More information is available from Tennelec, Incorporated, 601 Turnpike, Oak Ridge, Tennessee 37830, or use *check-off* on page 110.

frequency counter



A portable high-sensitivity frequency counter designed specifically for telecommunications applications was recently introduced by the Fluke Counter Division. This all-new frequency counter, Fluke model 1920A, incorporates many new and innovative features including advanced LSI/MOS circuitry which makes a major contribution to the counter's exceptional electrical specifications while permitting a significant reduction in the unit's size and weight.

The 1920A features a nine-digit LED display, sensitivity to 15 mV, AGC standard, and a frequency range from 5 Hz to 520 MHz. Optional internal prescalers to 1000 MHz and 1250 MHz cover uhf television, 900-MHz telecommunications, and TACAN/DME.

Direct and prescaled inputs are color-coded to match their corresponding function switches to facilitate operation, while the large, seven-segment nine-digit LED display incorporates full leading zero suppression, automatic an-

FROM SOUND TO SIGHT

NOW — SEE MORSE CODE DISPLAYED —
AUTOMATICALLY — AT SELECTED SPEED —



One easy connection from your speaker to the Alpha-Numeric Display of your Code Reader CR-101. Displays all letters, numbers, punctuation. Operating speed 5-50 WPM. Easy to use teaching aide. Handicapped persons can learn new skills. CR-101 large .6 in readout — \$225.00. CR-101A has smaller .2 in readout — \$195.00. TU-102 TTY interface provides CR, LF, figures and let-

ters automatically — \$85.00. 6 Month Guarantee all Parts and Labor.

NOW
KITS
AVAILABLE
KCR-101 \$149.00
KCR-101A \$125.00

Call us at
(714) 745-1971

ATRONICS BOX 77, ESCONDIDO, CA 92025

nunciation, overflow and a self-check mode which lights all digit segments.

Measurement delays have been eliminated in the 1920A through a "rapid-access gate" which free runs in the absence of input signals to be in a position to open the gate for the selected gate time as soon as a signal is sensed. An auto-reset circuit initiates a new measurement every time any front panel switch is activated, ensuring that the first measurement obtained is always correct.

In addition to normal frequency measurements, a burst function switch is provided, permitting the measurement of rf bursts having a duration of 2 ms or more. To avoid erroneous reading, the display is automatically reset to zero if the burst width is less than the gate time selected. An optional resolution multiplier is available which coherently multiplies audio tone signals by 1000, providing a resolution of 0.001 Hz in 1 second.

The 1920A frequency counter is backed by Fluke's full warranty and coast-to-coast service, and is priced at \$859, FOB Buffalo, New York. For more information, write to John Fluke Mfg. Co., Ltd., Counter Division, Post Office Box 1094 Station D, Buffalo, New York 14210, or use *check-off* on page 110.

QSL display album

To organize, display and protect your QSL cards, Ace Art Company offers the NuAce QSL Card Display Album. Available in blue, black or ginger binder, the album has 23 chrome steel rings which hold up to 25 pages or 150 cards. Crystal clear pages of durable vinyl give protection from handling, dampness, and fading. Each page has 3 pockets sized 3-7/8 x 7 inches (9.8 x 17.8 cm) and will hold six cards back to back. (Also available is a two-pocket page with 5-5/8 x 7-inch pockets (14.3 x 17.8 cm) for oversize cards, and a one-pocket page sized 12 x 7 inches (30.5 x 17.8 cm).

The binder and 10 pages holding 60 QSL cards may be purchased for \$5.95 (plus \$1.50 shipping and handling) from Ace Art Company, Inc., 24 Gould Street, Reading, Massachusetts 01867. Extra vinyl pages are 49 cents each.

BULLET ELECTRONICS

- 48HR MAIL SERVICE
- POSTAGE PAID on all orders over \$5.00
- 10% Discount on orders over \$50.00
- CASH REFUNDS on out of stock items
- QUALITY PARTS & KITS

Send 25¢ for Catalog FREE WITH ORDER

WELL WE DID IT AGAIN! we went and designed a kit that we have had many requests for. This supply is perfect for the shack to run those high current mobile rigs and at a price that doesn't make strong men (or women) cry!

THE IMMOBILE MOBILE SUPPLY
11.5VDC TO 14.5VDC @ 10AMPS



KIT PS 03

- ✓ REGULATED **\$36.00**
- ✓ LOW RIPPLE **add \$2.00**
- ✓ SHORT CIRCUIT PROTECTION
- ✓ FOLD BACK CURRENT LIMIT
- ✓ VARIABLE ±2VDC FROM 12.5

MINI POWER SUPPLY KIT PS-02
Build your own +5 volt power Module at a fraction of commercial cost!

- +5 volt regulated @ 400 MA with overload protection low ripple for TTL work!
- Drilled & Plated Board
- All Components
- Complete Instructions
- Transformer

PS 01



+5 @ 1.5A
±15V @ 150ma
Regulated
Low ripple

POWER SUPPLY KIT

Compare with kits selling for much more

\$14.95

uses 78L05 & 78L15 regulator chips

DRILLED PLATED BOARD
QUALITY COMPONENTS
TRANSFORMER INCLUDED



\$4.95

3 for \$12.50

Everybody we told about this kit said it was "too cheap - you should sell it for more" ... but we think the buyer can recognize a super deal SO HERE IT IS!!

Capacitor Discharge Ignition KIT



\$9.95

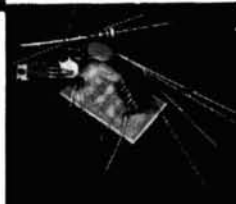
CONTAINS:

- PC BOARD
- SPECIAL TOROID TRANSFORMER
- 2 100W Power Transistors
- 8A SCR
- 4 800 Volt Diodes
- All resistors & caps
- COMPLETE INSTRUCTIONS

CASES ARE AVAILABLE!

5.95 includes
Heatsink & Hardware

Does not need a special coil
Easy to install



LOUD!

10 WATT WARBLE ALARM KIT

All the components you need to build dual tone warble alarm but the speaker. Complete with PC Board

6-15VDC \$2.50 complete

Programmed Diode Array
ONE-OF-TEN TO BCD Encoder
Great for Keyboard encoder, frequency synthesizers, etc.
14 PIN DIP 1.45 ea.

HEATSHRINK TUBING SPECIAL

- #1 assorted one foot lengths of 3/64, 1/16, 1/8, & 1/4" 10 pieces .49
- #2 assorted one foot lengths of 3/8, & 1/2" 6 pieces .49

CRYSTAL TIME BASE KIT

\$9.88



TB 50(50HZ model)
TB 60(60HZ model)
.01% accuracy (002% typ)
5ma at 12VDC
Works With most clock chips

- 7490 decade counters 65¢
- 75491 quad segment driver 55¢
- 75492 hex digit driver 55¢

- NO CODS
- Check or MO
- Include 50¢ handling on orders under \$5.00
- Fla. residents Add 4% tax

BULLET ELECTRONICS
PO BOX 1465
Lake Worth, Florida 33460

Coming next month — new SBP-3

NEW technical approach for increased talk power (typically 12 dB)

SPEECH PROCESSOR FEATURES:

- low distortion (typically 5%)
- SSB compatible
- integrated circuits
- speech enhancement
- adaptive filtering technique
- impervious to RF feedback
- dynamic range 60-dB (virtually overload-proof)
- optimized speech band width
- automatic level control
- visual level indicators
- use between mike and exciter/transceiver
- mobile or base station installation
- one year warranty-money back guarantee

see it and the designer at the Dayton Hamvention — April 1976

INQUIRIES INVITED!

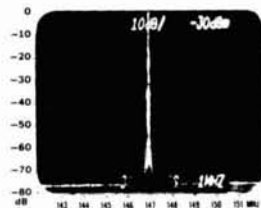
MAXIMILIAN ASSOCIATES

BOX 223
SWAMPSCOTT, MA 01907

TUNE IN
THE SPIRIT OF '76
**ARRL
NATIONAL
CONVENTION**
DENVER, JULY 16,
17 & 18

FOR ADDITIONAL INFORMATION
AND RESERVATIONS, WRITE TO:
ARRL NATIONAL CONVENTION,
C/O SLATS COUNCIL,
2450 SOUTH QUITMAN,
DENVER, COLORADO 80219

— CLEAN SIGNAL —
— ALL CHANNELS —



Actual Spectrum Analyzer Photograph
of an RP Synthesized Radio

ONLY RP GIVES YOU BOTH
PLUS

- SUPER ACCURACY (.0005%)
- FULL 2M FM COVERAGE

144-148 MHz

WORKS WITH MOST FINE AMATEUR
OR COMMERCIAL GRADE RADIOS

MFA-22 SYNTHESIZER

PRICED \$325
PLUS \$3 Shpg.

RP Electronics

SEND
FOR
FULL
DETAILS



BOX 1201H
CHAMPAIGN, ILL.
61820

NOW AVAILABLE U.S.A.
THE WORLD RECORD

(ONE MILLION MILES PER WATT)

JOYSTICK VFA ANTENNA SYSTEM

160 thru 10M — BC & Full SW Coverage
TRANSMIT — RECEIVE

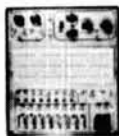
The incredible (patented) 7'6" Long Antenna
Direct air mail from England — Fast Service —
No Middlemen!

\$91.33 (500W P.E.P.) **\$69.90** RECEIVE ONLY

ORDERS - OR FURTHER INFORMATION:
PARTRIDGE (HR) ELECTRONICS LTD.
BROADSTAIRS, KENT, ENGLAND
G3CED TEL. THANET 62535 G3VFA



YOUR BEST BUY IN KITS



ANALOG-DIGI-LAB

Features 3 Regulated
power Supplies. 3 Out-
put wave forms. 8 digi-
tal level switches. 2 no
bounce pulser switches.

8 LEDs with drivers. 1 AP Super strip.
Easily constructed. Designed by RETS
Electronic Schools.
1st time offer **\$139.00**

Discrete basic clock kit **\$16.95**
Function Generator Kit **\$10.95**

Send SASE for flyer. Featuring Electronic component and kits available.

HAL-TRONIX

P. O. Box 1101 • Southgate, Mich. 48195

(313) 285-1782

SEE YOU AT DAYTON IN APRIL

FREQUENCY COUNTER

7 Digit 0-300 MHz Freq. counter **\$99.00**
7 Digit 0-500 MHz Freq. Counter **\$139.00**
Cabinet accessory package available for
above **\$24.95**

DVM available about March

Cheapy Clock Kit **\$12.95**
Electronic Dice kit **\$10.95**

Now...

SWAN AUTOMATES THE MOBILE ANTENNA.

Add the amateur radio mobile antenna to the list of things successfully automated for our increasing comfort.

The Swan Model 742 Triband Mobile, the only automatic amateur radio antenna, eliminates coil changing, tap adjusting, switch flicking and all the rest of mobile antenna inconvenience.

Now for the first time ever you just sit behind the wheel and change from 20 to 40 to 75 meters while your 742 automatically loads itself for each band—perfectly.

Rated at 500 watts P.E.P., the new antenna is one of a complete line of advanced amateur radio antennas and antenna accessories by Swan. All designed to help you put maximum power where you want it.

Model 742 automatic triband mobile antenna. \$79.95.
Only from Swan. Where else?

Dealers throughout the world
or order direct from



SWAN[®]
ELECTRONICS

A subsidiary of Cubic Corporation

Home Office:
305 Airport Road • Oceanside, CA 92054



Take your 2-meter hand-held everywhere with a Hy-Gain 2-meter flex antenna 144-148 MHz.

Replace your cumbersome whip with a high performance flex antenna from Hy-Gain. They're so short and flexible you can take your 2-meter hand-held everywhere with ease.

These rubber duckyies are tough enough to take almost any kind of abuse. A special vinyl coating completely insulates the continuously loaded element. It won't crack, break or split, no matter how you bend it. Hy-Gain flex antennas cannot be shorted accidentally. They are completely impervious to weather and corrosion, designed with the same expert care that produces our superb military and commercial antennas.

Whether your 2-meter hand-held is one of the fine commercial units or one you built by hand, a Hy-Gain flex antenna will let you take it wherever you go . . . with the performance you want.

Available in three connector types pre-tuned for optimum performance.

Order No. 274 BNC or "snap" fitting. Fits Tempo, Wilson, Ken Product, Clegg, and other with BNC connector.

Order No. 275 For SO-239. Fits Drake and Motorola.

Order No. 269 5/6 x 32 stud. Fits Motorola, GE, Johnson, RCA, Comco, and Standard.

**hy-gain**[®]

Hy-Gain Electronics Corporation
8601 Northeast Highway Six • Lincoln, NE 68505

© 1976 Hy-Gain



Hy-Gain 270 2-meter antenna.

A great mobile that's also a great base.

The same state-of-the-art qualities that make the Hy-Gain 270 antenna a great 2 meter mobile, make it a great 2 meter base.

Hy-Gain design has eliminated hard tuning, high VSWR and poor pattern due to irregular ground plane. The 270's slim mobile configuration makes it ideal for apartment or urban installations where space is at a premium.

Fiberglass 270 develops gain through the use of 2 stacked 5/8 wave radiators with a self-contained 1/4 wave decoupling system. Gain that helps reach distant repeaters.

Since the antenna and feedpoint are sealed in fiberglass, the Hy-Gain 270 delivers top performance year after year

without corrosion loss.

Get all the 2 meter base you need, for the price of a 2 meter mobile. The great Hy-Gain 270.

- 6db gain
- 250 watt rated
- 144-148 MHz
- VSWR less than 1.5:1 at resonance, 6 MHz bandwidth
- 96" high
- Completely factory tuned
- 50 ohm input impedance
- Complete with 18' coax and PL-259

For information on Hy-Gain 2 meter and other amateur products contact your Hy-Gain distributor or write.



hy-gain[®]

Hy-Gain Electronics Corporation: 8601 Northeast Highway Six;
Lincoln, NE 68505; 402/464-9151; Telex 48-6424



CRYSTAL FILTERS and DISCRIMINATORS



10.7 MHz FILTERS, 8 POLE			
XF107-A	14kHz	NBFM	\$40.60
XF107-B	16kHz	NBFM	\$40.60
XF107-C	32kHz	WBFM	\$40.60
XF107-D	38kHz	WBFM	\$40.60
XF107-E	42kHz	WBFM	\$40.60

10.7 MHz FILTERS, 4 POLE			
XM107-S04	14kHz	NBFM	\$18.95

10.7 MHz FILTERS, 2 POLE			
XF102	14kHz	NBFM	\$7.95

SOCKET (for XM107-S04) type DG1 \$1.50

10.7 MHz DISCRIMINATORS			
XD107-01	30kHz	NBFM	\$23.20
XD107-02	50kHz	WBFM	\$23.20

Export Inquiries Invited
Shipping 75¢ per filter

VHF CONVERTERS UHF

RF Freq. (MHz) + IF Freq. + N.F. (typical) Nom. Gain	MMc 50	MMc 144	MMc 220	MMc 432	MMc 1296	Power 12V D. C. 1 1/4" x 2 1/2" x 4 1/2" + connectors Very low N. F. units on special order. +Other ranges, amateur & commercial, to order. Shipping: Converters, \$2.00
	50-54	144-148	220-224	432-436	1296-1300	
	28-32	28-32	28-32	28-32	28-32	
	2.5dB	2.8dB	3.4dB	3.8dB	9.0dB	
	30dB	30dB	26dB	28dB	20dB	
	\$53.70	\$53.70	\$64.45	\$64.45	\$75.95	

UHF PRE-SELECTOR FILTERS

MODEL	FREQ. RANGE	RIPPLE TYP.	I. L. TYP.	CONNECTORS	IN/OUT IMPEDANCE	Shipping \$2.50
PSF432	420-450 MHz	0.1dB PEAK	0.15dB	BNC	50 OHMS	\$34.95
PSF1296	1250-1340 MHz	0.1dB PEAK	0.2dB	TNC	50 OHMS	\$34.95

146 ↔ 440 FM TRANSVERTER

Use your 2 meter FM Transceiver on the 440 MHz band with the addition of the FMt440 TRANSVERTER. No changes required to your 2 meter Transceiver. Connect FMt440 in place of regular 2 meter antenna. Connect 2 M and 440 antennas (also 12 v) to FMt440. Change bands automatically with switch on FMt440.

FMt440 Specifications:

Transmit Section	Drive Power	25 watts max
Receive Section	Efficiency	50% typical
General	Sensitivity	0.5 μvolt
	Gain	22 dB nom
	Bandwidth	5 MHz
	Freq. Range	430-450 MHz
		145-150 MHz

Price \$179.95 — Shipping \$2.00
Repeater Groups write for details. Application note available.



SPECTRUM INTERNATIONAL, INC. P. O. BOX 1084 CONCORD, MASS. 01742 U.S.A.

DON & BOB NEW GUARANTEED BUYS

CDE HAM II ROTOR \$129.00

BELDEN 8448 ROTOR CABLE 14¢/ft.

CDE-44 ROTOR \$104.00

CALL FOR SUPER PRICES ON: HY-GAIN TH6DXX, 18AVT/WB, 18 HT HIGH TOWER, MOSLEY CLASSIC 33, TRI-EX W SERIES TOWERS.

RAYTHEON 811A (SEALED CARTONS) \$15.00/pair

QUOTE TS-520; 210X — WRITE FOR ITEMS NOT LISTED.

PRICES FOB HOUSTON. TEXAS RES. ADD 5% STATE SALES TAX.

CALL FOR FAST QUOTES!!

MADISON ELECTRONIC SUPPLY, INC.

1508 MCKINNEY AVENUE
HOUSTON, TEXAS 77002

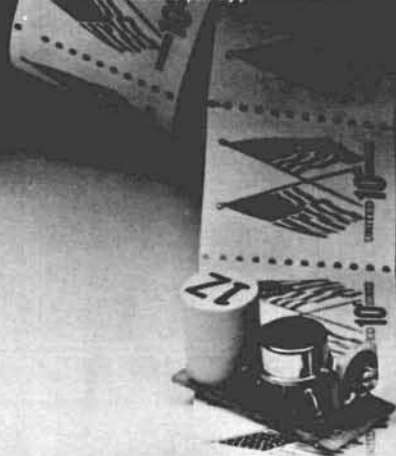
713/224-2668

Nites 713/497-5683

ME-3 microminiature tone encoder

Compatible with all sub-audible tone systems such as: Private Line, Channel Guard, Quiet Channel, etc.

- Powered by 6-16vdc, unregulated
- Microminiature in size to fit inside all mobile units and most portable units
- Field replaceable, plug-in, frequency determining elements
- Excellent frequency accuracy and temperature stability
- Output level adjustment potentiometer
- Low distortion sinewave output
- Available in all EIA tone frequencies. 67.0 Hz-203.5 Hz
- Complete immunity to RF
- Reverse polarity protection built-in



\$29.95 each

Wired and tested, complete with K-1 element

communication specialists

P. O. BOX 153
BREA, CALIFORNIA 92621
(714) 998-3021

K-1 FIELD REPLACEABLE, PLUG-IN, FREQUENCY DETERMINING ELEMENTS \$3.00 each

HOW TO SAVE HUNDREDS OF DOLLARS ON PARTS. PAINLESSLY.

STRETCH YOUR BUDGET FURTHER WITH DESIGN MATE 2

Precision function generator lets you test all kinds of equipment, with 1Hz-100kHz signals. Low-distortion sine waves, high-linearity triangle waves, fast-rise-time square waves. Five decade ranges, accurate to 5% of dial setting, with variable 100mV-10V P-P output and constant 600-ohm impedance. At \$64.95* it's a lot of signal for very little money.



SAVE MONEY AND TIME WITH DESIGN MATE 1

This precision all-in-one unit combines a solderless plug-in breadboarding system with a built-in better-than-1%-regulated variable 5-15V supply and 0-15V voltmeter. Gives you everything you need to design and test circuits faster than you ever could before. Saves money by eliminating lead damage and heat damage to components. Lets you re-use parts over and over again, to save even more. All for just \$49.95*



SAVE MORE MONEY AND TIME WITH DESIGN MATE 3

Accurate R/C bridge helps you use "bargain" components. Quickly and easily measures resistance 10 ohms-10 meg; capacitance 10pF-1μF—both in decade ranges to within 5% of dial setting. Simple, 2-control operation and positive LED indication make measurements in seconds. At \$54.95* it pays for itself in no time.



At CSC, we've developed a family of ingenious Design Mate™ test equipment that gives you professional quality and precision at very *un*professional prices. Each unit can save you money—and time—in a number of interesting ways. For more information on these, or any other CSC products, see your dealer or write for our catalog and distributor list.

CONTINENTAL SPECIALTIES CORPORATION



EASY DOES IT

44 Kendall Street, Box 1942
New Haven, CT 06509 • 203-624-3103 TWX: 710-465-1227
West Coast office: Box 7809, San Francisco, CA
94119 • 415-421-8872 TWX: 910-372-7992
Canada: Len Finkler Ltd., Ontario

*Manufacturer's suggested list. Prices and specifications subject to change without notice. © 1976, Continental Specialties Corp.

— See Our Distributors at the Dayton Hamvention —

2 METER FM

AND HF TOO ...

HEADQUARTERS

PORTABLE PLEASURE
from STANDARD...
SRC-146A SPECIAL

with your choice of

- Rubber antenna
- Leather case
- Ni-cads
- Charger
- Remote mike
- Speaker mike
- Extra crystals
- PL, tone burst and TT pad

Put together your own package...
... then call or write
for the ERICKSON deal!



STANDARD'S NEW
Horizon/2!



low cost
high performance

- 12 channels - 20+ W out
- front facing speaker - 3W audio
- 70 dB adjacent channel rejection
- 4+ MHz spread includes MARS, CAP
- Standard's unique 6 month warranty



WE ALSO STOCK: ASP - Atlas - CDE Rotors - Collins - Cushcraft - Data Signal - Dentron - Drake - Hy-Gain - Icom - KLM - Kenwood - Larsen - Midland - Mosley - Newtronics - Regency - Standard - Swan - TPL - Tempo - Ten-Tec - Yaesu

HOURS: 9:30 - 9 Mon. & Thurs.; 9:30 - 5:30 Tues., Wed. & Fri.; 9 - 3 Sat.

Open more than 50 hours a week to serve you better

ERICKSON COMMUNICATIONS, INC.

5935 North Milwaukee Ave., Chicago, IL 60646

(312) 631-5181

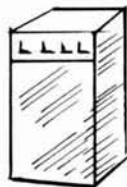
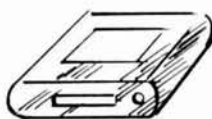


We Service What We Sell



GREGORY ELECTRONICS
The FM Used
Equipment People.

WANTED



REWARD (Finder's Fee)

For Information

Leading to the Capture of:
Used FM Two-Way Radios
made by General Electric,
Motorola and R.C.A.

We're Interested in Buying...

CALL or WRITE



GREGORY ELECTRONICS CORP.

245 Rt. 46, Saddle Brook, N.J. 07662
Phone: (201) 489-9000

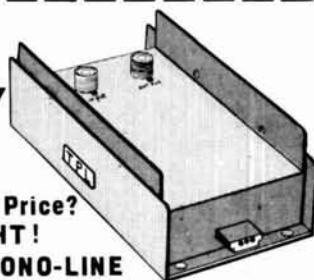


talk
power
by

TPL

TPL for an Economy Price?
THAT'S RIGHT!

introducing the ECONO-LINE



Model	Input	Output	Typical	Frequency	Price
702	5-20W	50-90W	10 in/70 out	143-149 MHz	\$139.00
702B	1.4W	60-80W	1 in/70 out	143-149 MHz	\$169.00

Now get TPL COMMUNICATIONS quality and reliability at an economy price. The new Econo-Line gives you everything that you've come to expect from TPL at a real cost reduction. The latest mechanical and electronic construction techniques combine to make the Econo-Line your best amplifier value. Unique broad-band circuitry requires no tuning throughout the entire 2-Meter band and adjacent MARS channels. See these great new additions to the TPL COMMUNICATIONS product line at your favorite amateur radio dealer.

For prices and specifications please write for our Amateur Products Summary.

TPL

FCC type accepted power amplifiers also available. Please call or write for a copy of TPL's Commercial Products Summary.

COMMUNICATIONS INC.

1324 W. 135TH ST., GARDENA, CA 90247 (213) 538-9814

Canada: A.C. Simmonds & Sons Ltd., 285 Yorkland Blvd., Willowdale, Ontario M2J 1S8
Export: EMEC Inc., 2350 South 30th Ave., Hallandale, Fla. 33009

4 DIGIT ALARM CLOCK

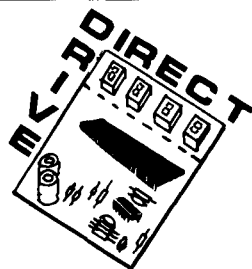
\$15⁹⁵

Kit No. 1 (with PC Board)

Features the only LED direct drive clock chip on the market. Kit includes all parts (except transformer) for a 4 digit alarm clock kit. Uses .25 inch LED readouts.

Transformer for Kit No. 1 \$ 2.00

Kit No. 2 - Complete Kit With Woodgrain Case and Display Window \$21.50
Kit No. 3 - Same as Above but with 1/2 inch Readouts \$22.50



THE KING OF ALTAJ



Follow the King in future issues, and he will introduce a series of fantastic Madmen representing sophisticated circuits designed especially for the KING.



DIGITAL ALARM CLOCK

THE KING-FEATURES:

- 1.) 6 digit, 12 or 24 hour, 50 or 60 cycle alarm clock
- 2.) Time sharing capability for display of additional information
- 3.) Built in alarm generator and automatic output for intensity control of LED's
- 4.) Single 12v. supply and a minimum of inter-face components.
- 5.) AM PM and automatic power failure indications
- 6.) 10 minute snooze
- 7.) Complete data and construction manual enclosed



\$23⁹⁵

Kit No. 70250 1R (Red readouts)
Kit No. 70250 1Y (Yellow readouts) \$23.50
Kit No. 70250 1G (Green readouts)
Kit No. 70250 2R (DL727 readouts)
Kit No. 70250 3R (DL747 readouts) \$28.50

Upon conclusion of our introduction you will have the most advanced timepiece on the market. Watch next issue for the King's first addition to his harem.

DL747

Jumbo 6 in. high, and only 20mA per segment Common Anode

2.75

NEW HP7730 1.20

33 mm. high read very bright readout, 25mA per segment Common Anode

BURROUGHS 12 DIGIT DISPLAY

25 in. high. Orange digits Ionization voltage 160V DC. We will enclose a free socket as a bonus

3.25

MAN'S GREEN
MAN'S RED
MAN'S YELLOW

Why not make a clock in 3 diff. colors, we tested it and it looks nice - 27 in. high digit Common Anode

1.25

DL707

Red, .30 in high 15mA per segment Common Anode

1.25

727

Common Anode One of our best Readouts. 5 in. high, 20mA per segment

3.75



DL33 3.75 If you like an array of displays, we have it, 10mA per segment Common Cathode

1.45

FND503

We like it, you will love it, our new .5 in. common cathode type by Fairchild

1.80 5FOR-750

TEXAS INSTRUMENTS 8 DIGIT DISPLAY.

A perfect choice for your mini 8 digit clock or why not a stop watch Fully multiplexed, common cathode, 1 Class and goldplated.

1.30

LEDs

Mini Red 12 cent/ea
Jumbo Red 15 cent/ea
Jumbo Green 20 cent/ea
Jumbo Yellow 25 cent/ea

New BS8615T by Burroughs, 56 in Orange Dip, 160V Ionization potential. Only a limited supply in our stockroom

1.50

TTL C-MOS

7400 16	CD4000 24
7401 16	CD4001 24
7404 16	CD4002 24
7406 24	CD4003 24
7408 16	CD4006 149
7410 16	CD4007 24
7413 49	CD4008 115
7420 16	CD4009 59
7427 24	CD4011 24
7430 16	CD4012 24
7437 39	CD4013 59
7438 35	CD4014 49
7440 16	CD4015 119
7442 69	CD4016 59
7447 89	CD4017 29
7448 89	CD4018 149
7453 37	CD4019 59
7473 37	CD4020 159
7474 37	CD4021 149
7475 65	CD4022 119
7476 39	CD4023 24
7483 85	CD4024 99
7490 69	CD4025 24
7492 75	CD4026 149
7493 75	CD4027 59
7495 75	CD4028 99
7496 75	CD4029 139
74121 38	CD4030 49
74123 75	CD4032 24
74151 75	CD4033 149
74153 89	CD4035 139
74154 95	CD4040 159
74161 99	CD4041 89
74163 119	CD4042 79
74164 1 1.89	CD4049 59
74165 1 49	CD4050 59
74174 1 29	CD4056 99
74175 1 39	CD4077 39
74181 2 75	74C02 29
74192 1 25	74C03 29
74193 1 25	74C04 29
74195 79	74C107 1 29
74197 79	

TRANSISTORS

2N3055 NPN 115W TO3 Power	0.85
RCA 200V . 115W TO3 Power NPN	1.25
GE D40C NPN Darlington, Cut leads	0.25
2N4443 SCR 400V a 8Amp. TO220	0.65
2N2222 NPN Gen. Amplification	0.20
2N2924 NPN Gen. Amplification	0.15
2N3904 NPN Driver	0.15
2N3906 PNP Complimentary 2N3904	0.15
2N4400 NPN Low level noise	0.20
2N4402 PNP Complimentary 2N4400	0.25
2N4249 PNP Low noise, High gain	0.25
2N4969 NPN Similar to 2N2221	0.20
2N5401 PNP Noise driver 160V	0.25



555 Timer - Mini dip Low Price	0.45
553 Timer - Quad 14 pin dual	2.25
8038 Function Generator	4.25
RCA 3043 FM, IF, Audio Preamp	1.20
965 Phase Locked Loop	0.95
567V Tone Dec. Phase Locked Loop	1.50
LM 723 Pos. Voltage Regulator	0.55
LM 309 5 Volt 1 Amp. Regulator	1.10
LM 741 Operational Amplifier	0.25
LM 324 Quad Operational Amp	0.95

LOOK!

From Altaj to you, a special offer.

Power Supply Kit: 5 Volt 1 Amp. regulated. Line regulation: .005% Load regulation: 50mV

Kit includes: Components, PC board, Transist., Fuse, Pilot Light

Nothing else to buy: \$ 5.50

GE Transistor Assortment

T098 Cased Darlington's, SCR's, NPN, PNP, etc. Sample test shows very high yield

50 for	95
100 for	1.75
300 for	5.00

Satisfaction Guaranteed

8008 8 bit parallel CPU	19.50
2102 1K Static RAM for 8008	2.25
MM5203 2K UV erasable PROM	12.25

6 Function Calculator
Chip 7020 with direct Segment Drive 8 digit
Price to Sell \$2.25

RCA 3062
Photodetector with power amplifier \$2.25

LED Driver ICs
75491 Segment .35
75492 Digit .45

Tantalum 1uF 10V 20% tol	0.20
Tantalum 4.7uF 10V 20% tol	0.25
Electrolytic 10uF 25V PC	0.15
Electrolytic 50uF 25V Ax	0.20
Electrolytic 100uF 15V PC	0.20
Electrolytic 200uF 25V PC	0.25
Electrolytic 470uF 16V Ax	0.30
Electrolytic 1000uF 16V PC	0.35
Electrolytic 2000uF 16V PC	0.45
Electrolytic 1500uF + 2000uF dual 30 Volt metal can, twist	0.85
Electrolytic 300uF 250V PC	0.45
Ceramic Discs .01uF 25V	0.05
Ceramic Discs 68PF 50V	0.05
Ceramic Discs 220PF 50V	0.05
Dipped Mica .150PF 100V 5'	0.10

LIGHTS \$1.50
MUSIC
60 Watt COLOR ORGAN.
Completely self-contained unit, with 120 volt power cord included.

TTL BOARDS
MEMOREX computer boards with TTLs, Diodes and Transistors, etc.
5 Boards containing 150 - 250 ICs. \$3.95

TRANSFORMERS
No 1 8V 5 Amp 1.05
No 2 12V CT 5 Amp 2.00
No 3 10V 3V CT 1 Amp 1.95

DIODES
1N4004 400PIV 15 for 1.00
1N4007 1000PIV 10 for 1.00
1N746 3.3V Zm. 4 for 1.00
1N4148 Switch 20 for 1.00

FM Transformers. \$1.00
Includes FORD 19 KHZ, 38 KHZ, Osc. Coils, etc Used in AM FM car radios. All New 10 PC. ASSMT

FREE! 9 Volt Battery with \$10.00 or more purchase

CSC 100
NEW Proto Board \$19.95
(Complete Kit)
(Allow 2 weeks for Delivery)

ALTAJ ELECTRONICS
P.O. BOX 38544 H. Dallas, Texas 75238
TERMS Check or money order NO C.O.D.
Telephone (214) 278-3561
Texas Residents Add 5%

Altaj Electronics
Now offers a full line of Continental Sorelites Proto Boards, Dink Sockets, Clips, Design Mats, Modules, etc.

ALTAJ THANKS YOU



Like to have a weekend affair?

We'll send you a beauty...

This beautiful Walkie-Talkie Kit is easy to build and can be assembled in one weekend. You save hundreds of dollars by building it yourself. The HT-144B offers exceptional performance at a budget price.



- 2 Watts minimum
- 4 Channels
- .35uV for 20dB of quieting
- Low battery drain . . . less than 10 Ma
- Now you can build a commercial quality walkie talkie at home at half the price.
- Designed with the ham in mind. Average assembly time, just 10 hours.
- Small and handy, yet large enough to be assembled with conventional tools.
- Attractive, scratch resistant textured finish.
- Lightweight, sturdy aluminum case.
- Black textured case 1-1/2 x 2-1/2 x 9-1/4
- All tunable coils are prewound
- Transceiver is on one G-10 predrilled board
- Parts layout silk-screened on boards for easy construction
- Crystal deck is separate predrilled board
- Weight less batteries — approximately 15 oz.
- Battery-case is AA size — accepts alkaline or nicad
- External battery charging/power supply jack furnished
- 1 dual gate mosfet 2 I.C.'s 15 transistors 7 diodes
- Antenna — collapsible 17" whip
- Covers any 2 Mhz segment between 140 and 170 Mhz
- Plenty of room in case for add ons (PL and tone)

HT-144B RECEIVER SPECIFICATIONS: SENSITIVITY better than .35uV for 20db quieting. SQUELCH THRESHOLD better than .25uV. STABILITY .002 typical (depends on crystal). ADJACENT CHANNEL REJECTION 60 db. SPURIOUS RESPONSES down 70db. FIRST IF 10.7 Mhz SECOND IF 455 Khz. FILTER 4 pole monolithic 10.7 Mhz crystal. DISCRIMINATOR pretuned ceramic 455 Khz. BANDWIDTH 15 Khz at 3db points. CRYSTAL 45 Mhz parallel at 20pf. CRYSTAL FORMULA receive frequency minus 10.7 divided by 3. AUDIO OUTPUT .5w typical. CURRENT DRAIN 10 ma squelched, 100 ma on voice peaks.

HT-144B TRANSMITTER SPECIFICATIONS: OUTPUT 2 watts minimum. 3 DB BANDWIDTH 2 Mhz typical. STABILITY .002 typical (depends on crystal). SPURIOUS outputs down 30db or better. MODULATION true FM with varactor in crystal circuit. NETTING separate trimmers for each channel. DEVIATION adjustable to 7 Khz. AUDIO limiter and active low pass filter. MICROPHONE speaker type. CRYSTAL 18 Mhz parallel at 20 pf. MULTIPLICATION FACTOR frequency times 8. CURRENT DRAIN 500 ma typical.

LIMITED OFFER

Now an even better buy . . .

\$129.95 includes Walkie Talkie Kit, 1 set of crystals for 146.52 simplex and rubber duck antenna. Battery charger included free with purchase of \$29.95 1/2 amp NICAD Pack.

ORDER FORM

Item	Price Each	Quantity	Total Price
HT-144B Walkie Talkie	\$129.95		
Rubber Duck Antenna	No charge*		
Crystals (pair) 146.52	No charge*		
12 Volt NICAD Battery	\$29.95		
Battery charger (for HT-144B)	No charge**		

*With purchase of HT-144B Walkie Talkie **With purchase of HT-144B Walkie Talkie and NICAD Battery

Name _____ Total _____
 Address _____ Shipping _____
 City _____ NYS Resident _____
 State _____ Zip _____ Total _____
 Master Charge or BankAmericard No. _____ Sales Tax _____
 Bank No. _____ Expiration Date _____ Enclosed _____

SHIPPING INFORMATION: All shipments are F.O.B. Binghamton, N.Y. 13902. Shipments will be made by the most convenient method. Please include sufficient funds to cover shipping and handling. Figure shipping charges on a minimum weight of 2 pounds per unit. Allow 3 to 4 weeks for delivery.

TERMS: C.O.D., cash or check with order. We also accept BankAmericard and Master Charge.

CLAIMS: Notify VHF and the carrier of damage within seven (7) days of receipt of shipment.

RETURNS: Obtain authorization from VHF before returning any merchandise.

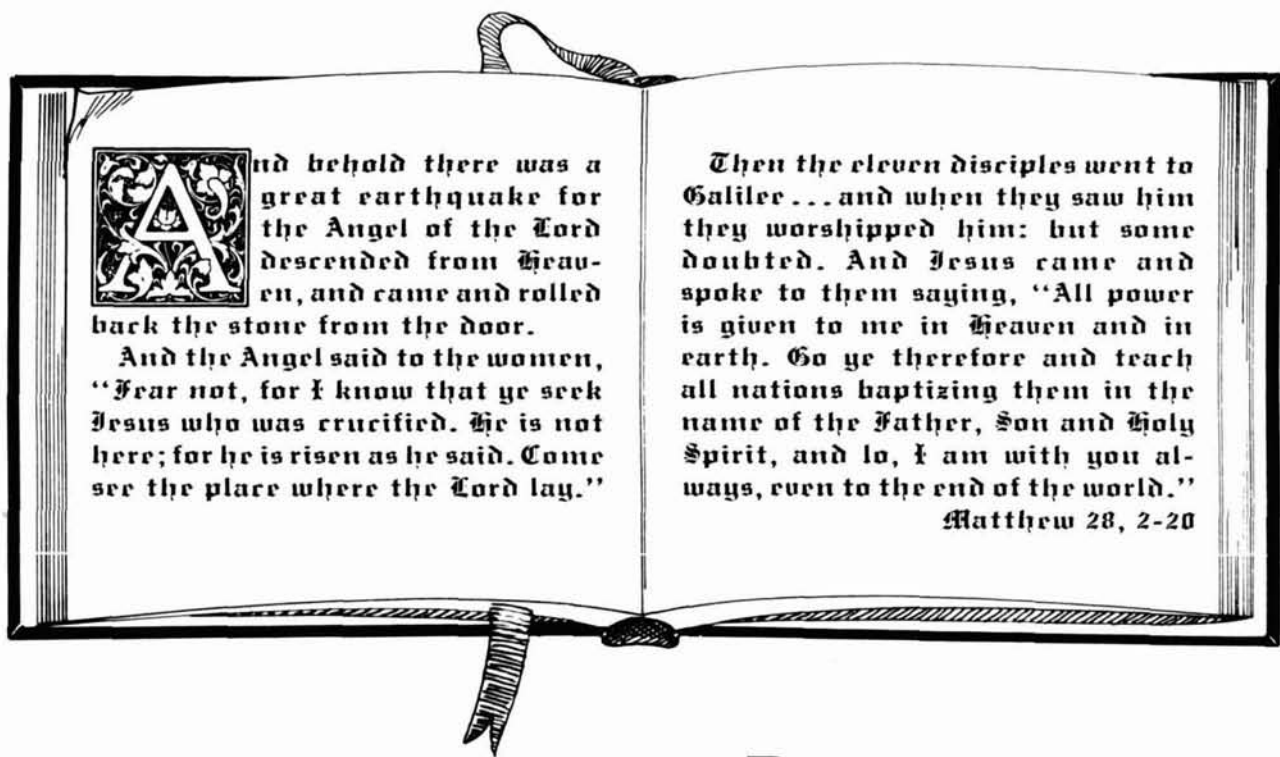
PRICES AND SPECIFICATIONS: Subject to change without notice. Export prices are slightly higher.

Stop at our booth
 at the Dayton Hamfest . . .
 Register for free drawing.

Vhf engineering
 DIVISION OF BROWNIAN ELECTRONICS CORP.
 320 WATER ST. • P.O. BOX 1921
 BINGHAMTON, N.Y. 13902 • 607-723-9574

WE HONOR
master charge
THE INTERBANK CARD

BANKAMERICARD



And behold there was a great earthquake for the Angel of the Lord descended from Heaven, and came and rolled back the stone from the door.

And the Angel said to the women, "Fear not, for I know that ye seek Jesus who was crucified. He is not here; for he is risen as he said. Come see the place where the Lord lay."

Then the eleven disciples went to Galilee... and when they saw him they worshipped him: but some doubted. And Jesus came and spoke to them saying, "All power is given to me in Heaven and in earth. Go ye therefore and teach all nations baptizing them in the name of the Father, Son and Holy Spirit, and lo, I am with you always, even to the end of the world."

Matthew 28, 2-20

We would like to share the message and joy of Christ risen this Easter.

Dentron
Radio Co., Inc.

2100 Enterprise Parkway
Twinsburg, Ohio 44087
(216)425-3173



**INFO-TECH MODEL 60
RTTY TO VIDEO CONVERTER**

A self contained system that converts marks and spaces from your TU to a composite video signal to drive your monitor or converted TV. SILENTLY

- Operates at 60, 66, 75 and 100 wpm
- Manual letters shift control
- Selectable letters shift on space control
- Automatic CR and LF
- RS 232 and Loop compatible
- Video display 8 Lines of 32 characters each (16 Lines optional)
- Self contained power supply
- Automatic Scrolling
- Price \$299.50 (8 Line Video)
\$329.50 (16 Line Video)
- Accessory TU (3 Shift) available late April \$175.00
- Converter prices include prepaid freight in continental USA

INFO-TECH, INC.
20 Worthington Drive
St. Louis, Missouri 60343



**test for resonant
resistance
with an omega-t
antenna noise
bridge**



The Omega-T Noise Bridge is an inexpensive and flexible testing device that can effectively measure antenna resonant frequency and impedance. This unique piece of test equipment does the work of more expensive devices by using an existing receiver for a bridge detector. There is no longer a need for power loss because of impedance mismatch. Get more details or order now!

Model TE7-01 for 1-100 MHz Range \$29.95
Model TE7-02 for 1-300 MHz Range \$39.95

ELECTROSPACE
SYSTEMS, INC.
320 TERRACE VILLAGE
RICHARDSON, TEXAS 75080
TELEPHONE (214) 231-9303

Sold at Amateur Radio Dealers
or Direct from Electrospace Systems, Inc.



Glade Valley School Radio Session
17th Year - July 31 thru August 13, 1976

**Restructuring is coming!
Get that license now!**

Let the experienced staff from the Glade Valley School Radio Session help you solve that license problem. Whether you are looking for your General, Advanced or Amateur Extra ticket they will help you in every way with their carefully prepared program to get the license you are looking for.

Have a "Vacation with a Purpose" at this beautiful location in the Blue Ridge Mountains. A highly qualified staff and excellent facilities combine to make license study a pleasant memorable experience.

C. L. PETERS, K4DNJ, Director
P. O. Box 458, Glade Valley, N. C. 28627
Please send me the Booklet and Application Blank for the 1976 Glade Valley School Radio Session.

Name _____ Call _____
Address _____
City/State/Zip _____

25th

SAME LOW PRICES

Dayton HAMVENTION

April 23-24-25, 1976

- Fabulous PRIZES
- GIANT Flea Market
- Exhibits
- New Products
- Technical Sessions
- ARRL and FCC Forums
- Special Group Meetings
- Ladies Programs
- Awards
- Transmitter Hunts

• GRAND BANQUET Saturday Evening (Special Prizes)

If you have registered within last 3 years you will receive a program and information brochure to be mailed March 8.

For special motel rates and reservations call (513) 277-1325, 6 to 10 P.M. EST.

Write Dayton HAMVENTION, P.O. Box 44, Dayton, OH 45401 for information.

See You at the World's Largest Ham Convention

We're Fighting Inflation No Price Rise for '76



FOR FREQUENCY STABILITY

Depend on JAN Crystals. Our large stock of quartz crystal materials and components assures Fast Delivery from us!




CRYSTAL SPECIALS

- Frequency Standards
- 100 KHz (HC 13/U) \$4.50
 - 1000 KHz (HC 6/U) 4.50
- Almost all CB sets, TR or Rec \$2.50 (CB Synthesizer Crystal on request)
- Amateur Band in FT-243 ea. \$1.50
- 80-Meter- \$3.00 (160-meter not avail.)
- For 1st class mail, add 20¢ per crystal. For Airmail, add 25¢. Send check or money order. No dealers, please.



Div. of
Bob Whan & Son Electronics, Inc.
2400 Crystal Dr.,
Ft. Myers, Fla. 33901
All Phones: (813) 936-2397
Send 10¢ for new catalog



Radio Amateurs Reference Library of Maps and Atlas

WORLD PREFIX MAP — Full color, 40" x 28", shows prefixes on each country . . . DX zones, time zones, cities, cross referenced tables **\$1.25**

RADIO AMATEURS GREAT CIRCLE CHART OF THE WORLD — from the center of the United States! Full color, 30" x 25", listing Great Circle bearings in degrees for six major U.S. cities; Boston, Washington, D.C., Miami, Seattle, San Francisco & Los Angeles. **\$1.25**

RADIO AMATEURS MAP OF NORTH AMERICA! Full color, 30" x 25" — includes Central America and the Caribbean to the equator, showing call areas, zone boundaries, prefixes and time zones, FCC frequency chart, plus useful information on each of the 50 United States and other Countries **\$1.25**

WORLD ATLAS — Only atlas compiled for radio amateurs. Packed with world-wide information — includes 11 maps, in 4 colors with zone boundaries and country prefixes on each map. Also includes a polar projection map of the world plus a map of the Antarctica — a complete set of maps of the world. 20 pages. Size 8 3/4" x 12" **\$2.50**

Complete reference library of maps — set of 4 as listed above **\$3.75**

See your favorite dealer or order direct.

Mail orders please include 75¢ per order for postage and handling.

RADIO AMATEUR **callbook** INC.

Dept. E 925 Sherwood Drive
Lake Bluff, Ill. 60044

WRITE FOR FREE BROCHURE!

Spring-Pac super SALE! Each pac only \$1.98

All pac's are first quality (no fallout), tested and guaranteed!

<p>Memory pac 10 assorted 7400 series 7470, 7430, 7440, etc. All prime, marked parts, with data \$1.98</p> <p>TTL Gates 10 assorted discrete LED's-green, red, and infra-red, with data. \$1.98</p> <p>Regulators 1 LM223 DIP variable regulators, 2-40V, with data \$1.98</p> <p>Linear pac 8 assorted linear in metal-DIP or TO-18 on emp., LM307 op amp, LM131 RF amp, with data and circuits \$1.98</p> <p>LED Display pac 2 0x33 - 3 digits each, approximately 1" magnified digits, in a 12 pin DIP, with data \$1.98</p> <p>Capacitors 1 CERAMIC DISC CAPACITORS 8 for \$1.00 1 CERAMIC DISC CAPACITORS 15 for \$1.00</p> <p>SPACE AGE CLOCK KIT Instructions & parts - 12 or 24 hour format. Four digit clock kit includes all parts for complete clock: 3 1/2" x 7" #70 70 resistors #9534 clock chip & all transistors, etc. enameled aluminum case (COPD with transformer plug) \$16.95</p>	<p>Flip-Flop pac 10 assorted Flip-Flops, Dual JK's, RS's, and low power FF's, with data \$1.98</p> <p>LED pac 10 assorted discrete LED's-green, red, and infra-red, with data. \$1.98</p> <p>Diodes 100 Germanium computer signal diodes with leads trimmed for PCB mounting. \$1.98</p> <p>DIP RC Network 50 assorted 14 and 16 pin IC packages containing precision resistors and capacitors-no data available \$1.98</p> <p>Diode Array 10-1094 SILICON SIGNAL DIODES IN ONE PACKAGE 20 LEADS ALTERNATELY SPACED 1". NO COMMON CONNECTIONS. 25¢ ea. Ten for \$2.25</p>	<p>Comparator pac 5 assorted DIP's--LM311, 710, 711, with data \$1.98</p> <p>Transistor pac 40 assorted TO-18 plastic transistors--PNP's and NPN's, mostly Fairchild house marked \$1.98</p> <p>100 Resistors 100 1/2 watt resistors of any single standard value from 2.7 ohm to 1M ohm \$1.98</p> <p>Switches 8 SPST momentary contact push button N.O. Red button fits in approx. 1" panel, with lock washer and mounting nut. \$1.98</p> <p style="text-align: center;">Buy 5 pac's for \$9.90 and pac-a-pac for \$10.00</p> <p style="text-align: center;">The above are special offerings from Babylon Electronics, and will be shipped third class. See bottom of ad for ordering instructions.</p> <p>NATIONAL MOS TO-5 STATIC SHIFT REGISTERS #M504 dual 16 bit \$1.50 #M505 dual 32 bit 1.75 #M500 dual differential analog switch 2.50 DYNAMIC SHIFT REGISTERS #M502 dual 50 bit \$1.25 #M506 dual 100 bit 1.75 #M506 dual 100 bit 1.50 #M5013 1024 bit 2.25</p> <p>POTTER BRUMFIELD Type 60F Relay & POT-3 Contacts 120V AC (10.5 VA coil) \$1.75</p>
---	--	--

Send a stamp for our flyer listing more money-saving bargains!

Mail orders: Call 617-748-1174
P.O. Box 6174
Salem, MA 01970 Phone (617) 748-1174
9361 748 4 910-187-3521

babylon ELECTRONICS
Money back guarantee!

Tone Encoding - Decoding at its BEST

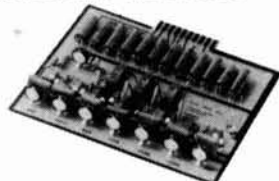
DELUXE REPEATER AUTO PATCH



The auto-patch your club will be proud to own. It's complete in every aspect. Two 1-4 digit access codes, one 1-4 digit disconnect, rotary dial or regenerated Data Tone output, dial-in capability, "1", "0" and numerical disconnects, ID by pass, audio monitor, keyboard, digital readout, plus many other features. Send for brochure. Rack mount only.

RAP-101 Sh. Wt. 15 lbs. \$949.00

DATA-TONE DECODERS — TTD-12 & TTD-16



The TTD-12 (TTD-16) is a complete 12-digit (16-digit) Data Tone decoder. It uses the latest Phased Locked Loop technology to provide an extremely compact, low-power receiver/decoder. The TTD-12 accepts the standard 2 out of 7 (the TTD-16 accepts 2 out of 8) tone frequencies, providing a valid output for each tone pair. Standard outputs are available with

heavy duty relays or TTL logic. The TTD-12 and TTD-16 provide simple and reliable selective signaling capability. They are ideally suited for remote control purposes where unattended operation over radio links, private lines or the telephone network are required.

TTD-12L, TTL output \$89.50 wired
 TTD-12R, Relay output \$109.50 wired
 TTD-16L, TTL output \$99.50 wired
 TTD-16R, Relay output \$129.50 wired

AUDIO AUTOMATIC GAIN CONTROL AMPLIFIER

Is your tone decoder having problems due to input variations? If so, eliminate these and other problems caused by weak, strong or varying input signals. The AAGC-1 will take signal levels between 50 mV to 5 Volts and feed a clean rock stable signal to any decoder for perfect operation. Give your decoder a chance to decode properly with our AAGC-1 amplifier.

Shipping Weight 3 oz. \$24.50 wired

AUTOMATIC DATA TONE DIALER

Automatic mobile telephone dialing is now available. By the push of a single button you can automatically dial up to six separate 7-digit numbers. All solid-state micro-power COS-MOS design.



Automatic PTT operation. Programmable to send telephone number only, access code plus telephone number or telephone number plus an identification number. Low profile dash mount, easy installation. Compatible with most radio equipment. Available with keyboard for manual dialing of numbers. Manual operation provides automatic PTT operation with 1 1/2 second transmitter hold.

AD-6 Without keyboard 99.50
 AMD-6 With keyboard 119.50

Factory programming of numbers \$7.50.

DATA TONE PADS

Standard size 12 and 16 digit Data Tone Pads. Automatic PTT operation with 1 1/2 second transmitter hold. Self powered via internal 9V battery. Audio and PTT outputs. TTP-1 and TTP-2 also has low volume audio monitor for acoustically coupling of tones to microphone. Zero quiescent current. Operating temperature -20°F to +150°F. R. F. proof.

TTP-1 16 digit 3" x 5 1/2" x 1 1/2". Sh. Wt. 2 lbs. 59.50

TTP-2 12 digit 3" x 5 1/2" x 1 1/2". Sh. Wt. 2 lbs. 59.50

DATA TONE TO DIAL PULSE CONVERTER

Convert standard 0-9 Data Tone digits to Bell System compatible dial pulse code. Completely solid state. Includes state-of-the-art Phased Locked Loop anti-falsing Data Tone decoder, large capacity 64-digit memory and solid state pulsing. Starts dialing on first incoming digit. Memory will not become congested due to rapid succession of incoming digits. Cancel and redial function. * and # digits are decoded and provided for remote control purposes. Available as p.c. board or rack mounting.

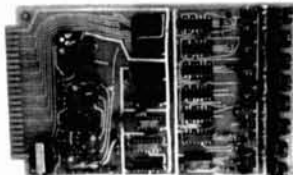
DPC-121 P.C. Board \$195.00
 DPC-121R Rack Mount \$285.00



ANTI-FALSING DATA TONE DECODER

Now, a true anti-falsing decoder/receiver. Virtually immune to high noise or audio falsing. Twelve or 16 digit capability. Completely solid state, uses latest Phased Locked Loop decoding. Single 5-volt power supply. Heavy duty transistor output. Available as p.c. board or 19" rack.

TTD-126-12 12 digit P.C. \$149.95 Rack \$219.95
 TTD-126-16 16 digit P.C. \$169.95 Rack \$239.95



REPEATER AUTO PATCH

It's complete — a single digit access/disconnect Auto Patch facility. All you need is a repeater and the phone line. Complete with automatic disconnect, dialing capability, two way audio monitor plus remote control. When used with a rotary dial exchange, Data Signal's DPC-121 dial converter is also required. P.C. board or Rack Mount available.

RAP-2 PC \$99.50 Rack \$149.50
 Sh. Wt. 2 lbs. Sh. Wt. 8 lbs.



DELUXE P.C. KEYS

In either a 5 volt TTL or a 9 volt C-MOS version this new module type IC keyer can be easily adapted to your own custom package or equipment. Versatile controls allow wide character weight variations, speeds from 5 to 50 w.p.m. plus volume and tone control. Solid-state output switching saves power, eliminates all those annoying relay problems and is compatible with both grid block and solid-state circuitry. With its side-tone monitor and 90 day warranty the Data Signal PC Keyer is the one for you.

TTL Keyer Wired \$19.95; Kit \$14.95
 C-MOS Keyer Wired \$24.95; Kit \$19.95



DELUXE RECEIVER PREAMP

Specially made for both OLD and NEW receivers. The smallest and most powerful single and dual stage preamps available. Bring in the weakest signal with a Data Preamp.

FREQ. (MHz)	USE	DELUXE PREAMPLIFIER			
		STAGES	GAIN dB	NF dB	KIT WIRED
144 to 148	2 METER	SINGLE	20	2.5	\$ 9.50 \$12.50
		DOUBLE	40	2.5	\$18.50 \$24.50
1 thru 30	HF BROADBAND		19-36	3	— \$17.95

Others Available.

Order Today — Send for Free New Catalog

DATA SIGNAL, INC.

2403 COMMERCE LANE
 ALBANY, GEORGIA 31707, 912-883-4703



flea market



RATES Non-commercial ads 10¢ per word; commercial ads 40¢ per word both payable in advance. No cash discounts or agency commissions allowed.

HAMFESTS Sponsored by non-profit organizations receive one free Flea Market ad (subject to our editing). Repeat insertions of hamfest ads pay the non-commercial rate.

COPY No special layout or arrangements available. Material should be typewritten or clearly printed and must include full name and address. We reserve the right to reject unsuitable copy. Ham Radio can not check each advertiser and thus cannot be held responsible for claims made. Liability for correctness of material limited to corrected ad in next available issue.

DEADLINE 15th of second preceding month.

SEND MATERIAL TO: Flea Market, Ham Radio, Greenville, N. H. 03048.

NEW WESTERN ELECTRIC TOUCH TONE PADS (35N1A) 12-button, 10 wire w/schem., \$12.00 each + \$1.00 shipping, handling. Calif. residents add 6% sales tax. Check or money order. W. A. Maitrejean, P. O. Box 8205, Fountain Valley, Calif. 92708.

ARRL HANDBOOKS WANTED. 1st, 5th, 6th and 8th editions to complete my collection. Highest prices paid for copies in good condition. Also need 13th and 14th editions of the RADIO Handbook. Have many early Handbooks and electronics/radio books for sale or trade. Send SASE for list. Jim Fisk, W1DTY, Ham Radio, Greenville, NH 03048.

ELECTRONIC PARTS. 1000V 1A diodes 10/\$1.00, 3A 400V diodes 3/\$1.00. TTL 7400, 7402 7/\$1.00. 20¢ postage. SASE brings catalog. NuData Electronics, 104 N. Emerson, Mt. Prospect, IL 60056.

STOP don't junk that television set. ASE manufactures the world's most complete line of television picture tubes. Over 1700 types. Most types immediate delivery. Tubes for Old or New TV's, black & white and color. 2 year factory warranty. Lowest prices anywhere. Allied Sales & Engineering, Inc., Dept. 22, Pimento, IN 47866. Telephone 812-495-6555.

LOOKING FOR USED GEAR? Buyers & Sellers radio brokerage has the equipment you want at the prices you want to pay. Call our Ham Gear Hotline: 617-536-8777, weekdays 9-5 EST.

R/9 AND RADIO MAGAZINES needed to complete my library. Some duplicates available for trade with other collectors. Also have many early radio publications and Handbooks for sale or trade. Send SASE for list. Jim Fisk, W1DTY, Ham Radio, Greenville, NH 03048.

SCOTCH MAGNETIC TAPE for instrumentation. 3M-838. (NASA qualified). Unopened - Unused - excellent condition. \$60.00 list, now \$35.00. Write for list of surplus communication equipment. Colonel Wayne D. Russell, 9410 Walhampton, Louisville, Kentucky 40222.

VERY in-ter-est-ing! Next 4 big issues \$1. "The Ham Trader," Sycamore, IL 60178.

WANTED: February 1974 Ham Radio Magazine. John Weber, K4JW, 102 Southgate Blvd., Melbourne, FL 32901.

KLM PRODUCTS, Larsen ants., Icom, police and fire scanners. Send for prices. Not given over phone. Narwid Electronics, 61 Bellot Road, Ringwood, N. J. 07456.

TELETYPE: Model 19, \$175. Model 15, \$75. 516-581-6509, Al Shapiro.

FOR SALE: Janel 6&2 FET converters, \$75 ea./pair \$135. Jim, W1VYB, 617-922-3850.

RECONDITIONED TEST EQUIPMENT for sale. Catalog \$50. Walter, 2697 Nickel, San Pablo, Ca. 94806.

MICRO-TO MkII deluxe PC boards \$3.50 ppd., with semicons \$9.00. K3CUW, 1304B Mass. Ave. S.E., Washington, D. C. 20003.

LEARN CODE IN A FEW DAYS with audio reflex method of teaching letters, numbers, punctuation. One hour cassette only \$7.00. Guardian, 20 E. Main St., Ramsey, N. J. 07446.

BRAND NEW CARTRIVISION COLOR VIDEO RECORDER-REPRODUCER ELECTRONIC UNIT. Contains power supply with adjustable regulated outputs of ± 10 to ± 18 VDC. (± 15 VDC @ $1\frac{1}{2}$ amps). Third output is 10 VDC at 3 amps. Perfect for CMOS, TTL, Op-Amps and Microprocessors. Contains over 900 parts with extremely long leads. Includes 182 transistors, IC's, diodes, and FET's, numerous resistors, capacitors, crystals inductors, varicaps and delay lines. (One 63.5 microsecond, precision, quartz, acoustically coupled delay line which stores one line of TV). Transistors will operate in Heathkit TV's. Schematics and semiconductor cross reference supplied upon request. \$19.95 + \$1.50 shipping. 50¢ per brochure. Madison Electronics Company, Inc., P. O. Box 369, Madison, Alabama 35758. Money back guarantee.

REGENCY TMR-1H RECEIVER CASE comes complete with transformer, speaker, front panel controls, power plug, and mobile mounting bracket. Makes a great case for any mobile ham project! 12.95 2/25.00. Avel Electronics P.O. Box 4072 Rochester, New York 14610.

SIGNAL/ONE REPAIRS. K6BE. 415-548-1889.

CIRCUIT BOARDS. Artwork, negatives, etching. SASE for details. Karl Raup, WB4OXG, Box 498, Springfield, Virginia 22150.

CANADIAN JUMBO SURPLUS and Parts Catalogs. Bargains Galore. Send \$1. ETCO-HR, Box 741, Montreal "A" H3C 2V2.

FOR SALE: Model 19 Teletype, table & original supplies. Operational, \$125.00 no shipping. Tempo FMH 2m. HT, \$150.00; Drake TR 22C, \$175.00; Drake ML2, \$200.00; Bearcat pocket scanner low/VHF, \$75.00; Bearcat scanner low/VHF, \$100.00. All with xtals, manuals, operating, excellent. Kenwood TS 520, \$500.00; Eico 435 scope, \$150.00; Eico 379 sine-square generator, \$75.00; Heath-Schlumberger counter SM-104, \$125.00; Heath 1B102 frequency scaler, \$75.00; scaler & counter \$175.00. All operating, excellent, with manuals. Wm. O. Starks, K9CQB, 1525 Winding Way, Anderson, Ind. 46011. (317) 643-9080 (evenings).

PORTA-PAK the accessory that makes your mobile really portable. \$59.95 and \$39.95. Dealer inquiries invited. P. O. Box 67, Somers, Wisc. 53171.

COLLINS R-390A, \$500. 51S-1 military version (110 V/60 cy.) edge lit front panel, \$800. Both mint condition and just aligned. David Ross, Box 1502, San Luis Obispo, Ca. 93406. 805/541-0794.

MOTOROLA HT220, HT200, Pageboy, and other popular 2M FM transceiver (Standard, Regency, etc.) service and modifications performed at reasonable rates. WA4FRV, (802) 272-8403.

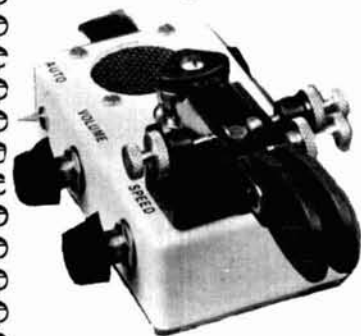
SCANNER RECEIVER REGENCY ACT-R-10H/L/U 10 channels, 3 bands (covers 2 meters by retuning) AC/DC, 10 free crystal certificates, all for \$169.00. Also all Regency, Cushcraft, Antenna Specialists products. All shipped UPS cash COD. Dealer inquiries invited. Radio Communications Service, 430 Maple Ave., Hodgenville, Ky. 42748.

PC BOARD negatives made photographically from your or magazine's art work. Now obtain professional results quickly, simply. 4 x 5, \$3.00 or SASE for information. WA4FRV, 10139 Apache Road, Richmond, Virginia 23235. 804-272-8403.

BUY NOW AND SAVE: Introductory offer of the MCC 103 Dual Regulated power supply. Features two independent supplies in one low profile enclosure. Each supply provides 0-26 VDC and variable current limiting from 20-250 MA with LED's used for indicating a current limit condition. Individual supplies may be connected in series or parallel. Voltage and current is displayed on a flush mounted analog meter. Now only \$70.00 assembled. Regulator board with instructions for building a 0-26 VDC, 2000 MA single supply is available separately for \$17.00. Postage and handling not included. For more information write Mid-Continent Communications Company, P. O. Box 4407, Kansas City, Missouri 64127.

NEW! IC KEYSER

The World's Greatest Sending Device



Adjustable to Any Desired Speed

Now available from Palomar Engineers - the new Electronic IC KEYSER. Highly prized by professional operators because it is EASIER, QUICKER, and MORE ACCURATE.

It transmits with amazing ease CLEAR, CLEAN-CUT signals at any desired speed. Saves the arm. Prevents cramp, and enables anyone to send with the skill of an expert.

SPECIAL RADIO MODEL

Equipped with large specially constructed contact points. Keys any amateur transmitter with ease. Sends Manual, Semi-Automatic, Full Automatic, Dot Memory, Squeeze, and Iambic - MORE FEATURES than any other keyer. Has built-in sidetone, speaker, speed and volume controls, BATTERY OPERATED, heavy shielded die-cast metal case. FULLY ADJUSTABLE contact spacing and paddle tension. The perfect paddle touch will AMAZE you.

Every amateur and licensed operator should know how to send with the IC KEYSER. EASY TO LEARN. Sent anywhere on receipt of price. Free brochure sent on request.

Send check or money order. IC KEYSER \$87.50 postpaid in U.S. and Canada. IC KEYSER LESS PADDLE \$67.50. Add 6% sales tax in California.

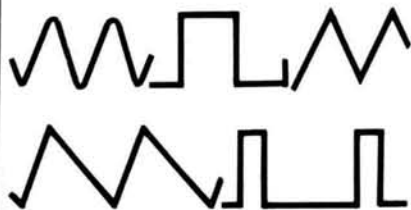
Italy write i2VTT, P.O. Box 37, 22063 Cantu. Elsewhere send \$92.00 (U.S.) for IC KEYSER or \$72.00 (U.S.) for IC KEYSER LESS PADDLE for air parcel post delivery worldwide.

Fully guaranteed by the world's oldest manufacturer of electronic keys. ORDER YOURS NOW!

PALOMAR ENGINEERS

BOX 455, ESCONDIDO, CA 92025

Phone: (714) 747-3343



0.1 Hz. to 100 KHz.



For only \$39.95

Our new FG-2 Function Generator kit gives you all five of the most useful waveforms for design and testing at one fourth the cost of previous similar instruments. Thanks to improved IC's the FG-2 now features amplitude stability of ± 1 db over any range, Sine wave distortion of less than 1% from 20 Hz. to 20,000 Hz. and an output of 4.0 Volts peak-to-peak with adjustable offset. The offset selector lets you put the positive peak, negative peak, or the center of the waveform on DC ground. The DC coupled circuit keeps the waveforms in exactly the same position no matter what the level control setting.

Gray impact plastic case 5 1/4 x 6 3/4 x 2 1/2. 115 Volts 60 cycle power supply included.

FG-2 Function Generator Kit shipping weight 3.0 lbs.....\$39.95 PPD

SEND FOR OUR NEW 1976 CATALOG

listing this and other unique kits

"FREE"

by simply circling our number
on the reader service card.



SOUTHWEST TECHNICAL
PRODUCTS CORPORATION

DEPT. H

219 W. Rhapsody
San Antonio, Texas 78216

flea market

BUY-SELL-TRADE. Write for free mailer, give name, address, call letters. Complete stock of major brands, new and reconditioned equipment, call us for best deals. We buy Collins, Drake, Swan, Etc. SSB & FM. Associated Radio 8012 Conser, Overland Park, Ks. 66204 913-381-5901.

TRADE: R-1051/URR for T-827/URT. WA6FAD, 528 Bonita, Pleasanton, California 94566.

DIGITAL COUNTER/DISPLAY BOARD: Tired of wiring up dozens of IC's to build the display for a frequency counter or voltmeter? Now you can use the MCC 102 4 1/2 Digit Event Counter Board. Features a 3 MHz (typical) CMOS counter with latches driving 0.3" LED displays. Board is 4" x 2" with a 12 position edge connector used for all inputs. Completely assembled \$35.00. Also available, the MCC 101 Lab type voltage regulator board with variable voltage and current limit controls. Also features a "LED" current limit indicator. Only two additional components are required to construct a 0-26 VDC, 2000 MA power supply. Write Mid-Continent Communications Company, P. O. Box 4407, Kansas City, Missouri 64127.

HICKOK DYNAMIC TRANSISTOR TESTOR model 870. Latest 1975 roll chart and manual. Excellent. Hatfield, WA4FRV, 804-272-8403.

TRAVEL-PAK QSL KIT — Send call and 25¢; receive your call sample kit in return. Samco, Box 203, Wynantskill, N. Y. 12198.

FREE Electronics Surplus Catalog. Electronic Specialties, 1659 Wetmore, Tucson, AZ 85705.

MODERN 60 MIN. CODE CASSETTES. Novice 0-5 wpm, Progressive 5-13 wpm, General 13-15 wpm, Extra 20-22 wpm. \$3 each, 4/\$10. Royal, Box 2174, Sandusky, Ohio 44870.

CUSTOM EMBROIDERED EMBLEMS, your design, low minimum. Emblems, Dept. 709, Littleton, New Hampshire 03561.

UNSCRAMBLE POLICE CODE with decoders. Works on all scanners and receivers. Guaranteed. For prices and brochure write: Don Nobles, Rt. 7, Box 265B, Hot Springs, Ark. 71901. 501-623-6027 (Dealer inquiries invited).

WANTED: One to three 74S73. P. Munro, P. O. Box 84, Lowell, IN 46356.

QRP TRANSMATCH for HW7, Ten-Tec, and others. Send stamp for details to Peter Meacham Associates, 19 Loretta Road, Waltham, Mass. 02154.

MOTOROLA HT220, HT200, Pageboy, and other popular 2M FM transceiver (Standard, Regency, etc.) service and modifications performed at reasonable rates. WA4FRV, (804) 272-8403.

ANTENNAS: Dipole, multiple band arrays. 15 thru 75 meters from \$59.50. Mobile Antennas — CB, 20M, 40M, and 2M from \$19.50. Baluns: 1:1 and 4:1 - \$12.95 ea. Data Available. Savoy Electronics, Inc., P. O. Box 5727, Ft. Lauderdale, Fla. 33310.

BAZOOKA. DIPOLE — Ready to use, with fiberglass center SO239, end insulator 80M, \$29.50; 40M, \$26.50; 20-15-10M, \$23.50. Fiberglass central insulator with SO239, 1000 pound test, \$5.95. Trap 2 KW 80/40, 40/20, \$18.50, ppd. Jac-Tenna, 13850 Victorin, Tracy, P. Que., Canada.

SIDESWIPER only \$13. Airmailed USA. Kungsimport, Box 257, Kungsbacka, Sweden.

TOROIDS: 88 mitty, \$3.00/5 ppd., HT-32, \$200. Teletype equipment, parts, SASE for list., Galletti, 342 Columbus, Trenton, N. J. 08629.

MOBILE IGNITION SHIELDING provides more range with no noise. Available most engines in assembled or kit forms, plus many other suppression accessories. Free literature. Estes Engineering, 930 Marine Dr., Port Angeles, WA 98362.

COMPUTER TERMINAL, VIDEO with built-in modem, acoustic coupler, ASCII, 110/300/1200/2400 baud, buffer, 960 character screen, TTY style keyboard, RS232C, many other features. Originally \$2295.00. Good working condition, only \$650. Galletti, 342 Columbus, Trenton, N. J. 08629.

IC APPLICATIONS MANUAL — Analog/Digital \$3.95. Digital IC manual - latest edition-3000 latest types/pinout diagrams/cross references \$6.55. Electronics-HRM, P. O. Box 127, Hopedale, MA. 01747.

This Month's Specials

NEW Fairchild VHF Prescaler Chips

Type	Description	Price
11C01FC	High Speed Dual 5-4 Input	OR/NOR \$15.40
11C05DC	1 GHZ Counter Divide By 4	\$74.35
11C05DM	1 GHZ Counter Divide By 4	\$110.50
11C06DC	UHF Prescaler 750 MHz D Type Flip/Flop	\$12.30
11C24DC	Dual TTL VCM	\$2.60
11C44DC	Phase Freq. Detector	\$2.60
11C58DC	ECL VCM	\$4.53
11C70DC	600 MHz Flip/Flop With Reset	\$12.30
11C83DC	1 GHZ 248/256 Prescaler	\$29.90
11C90DC	650 MHz ECL/TTL Prescaler	\$16.00
11C90DM	650 MHz ECL/TTL Prescaler	\$24.60
11C91DC	650 MHz ECL/TTL Prescaler	\$16.00
11C91DM	650 MHz ECL/TTL Prescaler	\$24.60
95H90DC	250 MHz Prescaler	\$9.50
95H90DM	250 MHz Prescaler	\$16.55
95H91DC	250 MHz Prescaler	\$9.50
95H91DM	250 MHz Prescaler	\$16.50

RF TRANSISTORS

New	12.5v, Ft. Typ. 500MHz 2 watts min. at p. in 0.5 watts		
RCA 40290			\$2.48
2N2857	\$1.85	2N5637	\$20.70
2N3375	\$7.00	2N6080	\$5.45
2N3866	\$1.08	2N6081	\$8.60
2N4072	\$1.50	2N6082	\$11.25
2N4427	\$1.20	2N6083	\$12.95
2N5179	\$6.80	2N6084	\$13.75
2N5589	\$4.60	2N6166	\$85.00
2N5590	\$6.30	MRF511	\$8.60
2N5591	\$10.35	MMCM918	\$2.50

TUBES

1P21	\$19.95	6146A	\$4.25
2E26	\$4.00	6146B/8298A	\$5.50
4X150C	\$18.00	6360	\$5.50
4X150A	\$15.00	6661	\$1.00
4CX250B	\$24.00	6680	\$1.00
4X250F	\$22.00	6681	\$1.00
DX415	\$25.00	6939	\$5.50
572B/T160L	\$22.00	7984	\$3.95
811A	\$7.95	8072	\$32.00
813	\$19.00	8106	\$1.95
931A	\$9.95	8156	\$3.95
4652/8042	\$6.95	8950	\$5.50
5894	\$32.00	6LQ6	\$3.95

MHz electronics

2543 N. 32ND STREET
PHOENIX, ARIZONA 85008
PH. 602-957-0786

NEED HELP?



Our crew at SAGAL ELECTRONICS has the experience and the product lines to solve your

Communications needs not only in the Amateur field, but also in Two-Way Radio. Dealer inquiries invited.



SAGAL ELECTRONICS INC.



P.O. BOX 117
roselle park, N.J. 07204
201-289-2390

TWO-WAY RADIO
COMMUNICATIONS SYSTEMS

SHOP WITH CONFIDENCE FOR ALL YOUR AMATEUR NEEDS

OVER THE YEARS WE HAVE GAINED THE REPUTATION OF BEING "THE FM PEOPLE" . . . WE STILL ARE PLUS MUCH MORE. BELOW YOU WILL FIND A SMALL REPRINT OUT OF OUR 1976 BUYERS GUIDE. NOW YOU CAN SHOP WITH CONFIDENCE FOR ALL YOUR AMATEUR NEEDS.

Hustler	
4BTV 40-10 vert	\$79.95
MO1 Mobile mast	\$15.95
MO2 Mobile mast	\$15.95
RM10 10 meter resonator	\$10.75
RM15 15 meter resonator	\$11.75
RM20 20 meter resonator	\$12.75
RM40 40 meter resonator	\$15.95
RM75 75 meter resonator	\$16.95
RM80 80 meter resonator	\$16.95
RM20S Hi power resonator	\$19.25
RM40 S Hi power resonator	\$23.50
RM75S Hi power resonator	\$28.95
RM80 S Hi power resonator	\$28.95
CG144 6 db., 2 M. FM mobile	\$26.75
SF-2 2 Mir., 3 db, 3/8" thread	\$12.75
SSM2 Ball mt	\$13.50
QD1 Quick disconnect	\$11.75
G6-144 2 meter 6 db base	\$52.95

Ameco	
100-33 Code Cse: Jr. 0-8WPM, Rec.	\$3.95
100-T Code Cse: Jr. 0-8WPM, Cass.	\$4.95
101-33 Code Cse: Sr. 0-18WPM, Rec.	\$7.50
101-T Code Cse: Sr. 0-18WPM, Cass.	\$8.95
103-T Code Cse: 8-18WPM, Cass.	\$4.95
CPS-WT Code Osc., wired	\$21.95
LN2 Lo Pass 200 W	\$6.95
OCMK CPO transistorized kit	\$12.50
OCMW CPO transistorized wired	\$19.50
PCLP NUVIS preamp 2-54 Mhz	\$39.00
PLF FET preamp 2-54 Mhz	\$44.00
PT Xcvr preamp 2-54 Mhz	\$89.95

Hy Gain	
C1 Doublet center insulator	\$5.95
E1 End insulator, pair	\$3.95
TH3JR 3 el. Tribander, 750w PEP	\$144.50
215B 15 element, 2 meter beam	\$67.00
BN86 Ferrite balun	\$15.95
Hy Quad 10/15/20 M., 2 el. quad	\$219.00
27N BNC Rubber Duckie, 2 Mtr	\$9.00
270 Mobile 6 db., 3/8" mtg.	\$39.95
28 8 element, 2 meter Yagi	\$37.00
68B 6 element, 6 meter beam	\$89.95
2BDQ 80/40 meter trap doublet	\$49.95
5 BDQ 80-10 trap doublet	\$79.95
12AVQ 10/15/20 vertical	\$47.00
14AVQ/WB 40-10 meter vertical	\$67.00
18AVTWB80-10 meter vertical	\$97.00
TH3MK3 Tribander, 2 kw, PEP	\$199.95
TH8DX 6 element Triband beam	\$239.95
204BA 4 element, 20 meter beam	\$179.95
402BA 2 element, 40 meter beam	\$199.95

Drake	
R4C 1.8-3 Mhz Receiver	
FL250 250 Hz filter	\$3.95
FL500 500 Hz filter	
FL1500 1500 Hz filter	
4NB Noise blanker	
T4XC 1.8-30 Mhz TX	
TR4C 80-10 Xcvr	
34PNB Noise blanker	
AC4 AC supply	
DC4 DC supply	
MS4 Speaker	
SSR1 Solid state Synt Rcvr	
Accy Xtals for R4C/T4XC	
TR22C 2 meter FM portable	
AA10 10 watt amp for above	
TV1000 Low pass to 52 Mhz	
TV3300 Low pass to 33 Mhz	
TV300 Hi pass filter	

Data Signal	
2 meter preamp kit	\$9.50
2 meter preamp wired	\$12.50
220 Mhz preamp kit	\$9.50
220 Mhz preamp wired	\$12.50
10 meter preamp kit	\$10.50

Callbook	
1976 US Edition	\$13.95
1796 Foreign Edition	\$12.95
DX guide	\$2.50
Deluxe map package	\$3.75

ICOM	
IC230 Synthesized 2 meter mobile	
IC22A 22 channel, 10w FM	

IC30A 22 channel, UHF mobile	
IC80 6 meter FM mobile	
IC21A 2 meter base/mobile FM	
DV21 Scanning Synthesizer	
IC3PA Base power supply	
TTH230 TT handset for IC230	

When ordering, please remember— All prices are subject to change without notice.

— GOODIES FROM "THE FM PEOPLE"

U43GGTs

WE HAVE JUST GOTTEN A LIMITED SUPPLY OF HI BAND, 30 WATT T-POWER MOBILES. CONVERTIBLE TO 2 METERS WITH MOBILE ACC GROUP.

\$99.00 + shipping

MOTRANS

R43MST . . . 4 FREQ, 30 WATT, ALL SOLID STATE, 12V MOBILE. SET UP ON 94 & 16/76. WITH ACCS. . . . \$395.00 + shipping

R43MST . . . SAME AS ABOVE SET UP ON 94 SIMPLEX ONLY . . . \$379.00 + shipping

NOTE: THE ABOVE ARE ONE OF A KIND . . . DON'T DELAY

PUBLIC ADDRESS AMPS

50 WATT SOLID STATE MOBILE PA AMPS. UNUSED SURPLUS. COMPACT WITH MIC BUT NO SPEAKERS.

\$39.95 + shipping

5' CABINETS

LIMITED SUPPLY

AVAILABLE.

IDEAL FOR

DRESSING UP

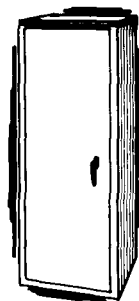
YOUR REPEATER.

• LOCKABLE DOORS

• DOUBLE RAILS

• NEW MOT STYLE

• MINT CONDX



\$75.00 + shipping

SEE YOU AT THE DAYTON HAMVENTION

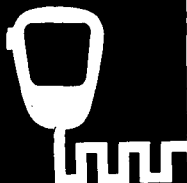
SPECTRONICS, INC.

1009 GARFIELD
OAK PARK, IL. 60304
312-848-6778
TELEX 72:8310

HOURS

STORE HOURS:

Mon-Thurs 9:30-6:00, Fri. 9:30-8:00
Sat. 9:30-3:00, Closed Sun. & Holidays.



TRANSFORMER RIOT

6.3 Volt 1 Amp Transformer. Fully Shielded. \$1.75 Each ppd.

Transformer — American Made — 115V Primary — 12V sec. 250 mils — for P.C. Board Mounting. Size: 1 1/2" x 1 1/4" x 1 1/4", 3.5 ounces. Price: \$1.40 ea. ppd.

TRANSFORMER. 115 volt primary, 12 volt 1/2 amp secondary. \$1.68 ppd.



Transformer — 115 Volt Primary — 12 Volt 1.2 Amp Secondary \$2.57 ppd.

Transformer — 115V primary. 12V, 3A Secondary \$4.15 ppd.

Transformer, 115 VAC primary, 18 volt, 5 amp ccs or 7 amp intermittent duty secondary \$6.60 ea. ppd.

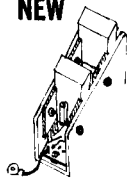
Transformer — American Made — Fully shielded. 115 V Primary. Sec. — 24-0-24 @ 1 amp with tap at 6.3 volt for pilot light. \$3.15 ea. ppd.

30-0-30 V - 2.5 AMP SHIELDED TRANSFORMER — AMERICAN MADE — 3 pound. 2 1/4" w. x 3" h. x 3 1/4" deep, with 6.3 V - 1A winding. \$5.15 ppd.

115 Volt Primary. Secondary #1: 320-32 Volt @ 1 Amp. Secondary #2: 6.3 Volts. Low Current for Pilot Lights. Size 2 1/2" x 2 1/2" x 3". Price: \$2.65 Each ppd.

TRANSISTOR OUTPUT TRANSFORMER — One watt rating 200 ohm Centertapped primary, 8 ohm secondary 85¢ Each ppd.

NEW



Transistor and Relay Assembly — consists of (2) MJE3055 and (2) MJE2955 transistors (10 amp, 90w, 60v complementary pairs) mounted in "U" channel heat sink 2 1/2" x 1 1/4" x 1 1/4". (2) XTAL CAN RELAYS, DPDT, 28v, 8000Ω, 5.8 ma DC, 1 amp contacts mounted on PC board with resistors. \$2.85 ea. ppd.

General Purpose Germanium Diodes. Similar to 1N34a etc. All Cathode banded. Full leads. 16 for \$1.00 ppd.

Small, glass, silicon diodes. Fairchild FD-type. Full leads and guaranteed. Price: 16 for \$1.00 ppd.

NEW SIZES — VERTICAL MOUNT PC BOARD POTENTIOMETERS

American made (CRL) Cermet sizes: 25K, 100K ohms. 5/\$1.30 ppd CTS Blue wheel. Values: 750, 1000, 1500, 50K ohms. 5 for \$1.20 ppd.



NEW MINI Imported vertical pots (1/4" H, 3/8" W, 1/16" D) Values: 1000, 2.5K, 5K, 50K ohms. Slot adj. Price: 5 for \$1.20 ppd.

BACK IN STOCK ONCE AGAIN

3000 MFD @ 30 Volt Capacitors. Size 1" Diameter x 3" Long. 90¢ Each or 3 for \$2.25 ppd.

NEW NEW NEW

3000 MFD @ 20V Capacitors. Same size as above. 80¢ ea. or 3 for \$2.00 ppd.

CRL DISC CAPACITORS

.1 MFD, 10V 3/8" dia., long leads. 10 for \$1.00 ppd.

POWER CORDS:

AMERICAN MADE POWER CORDS

Red 6 foot #18-2 line cord with flanged safety plug — 55¢ ea. or 3/\$1.45 ppd. Gray 6 foot, 7A, plugs into auto liter socket — 95¢ ea. or 3/\$2.55

1 1/4 inch miniature alligator clips. Bright vinyl red or black insulator. Nickel plated. 9 for \$1.00



UNPOTTED TOROIDS — center tapped 88MHY 5 for \$2.95 ppd.



SEND STAMP FOR BARGAIN LIST

Pa. residents add 6% State sales tax ALL ITEMS PPD. USA Canadian orders for less than \$5.00 add \$1.00 to cover additional mailing costs.

flea market

NCX-1000 KILOWATT TRANSCEIVER, mint — \$600 (or make offer). Dr. M. F. Hash, 319 N. 26th Street, Billings, MT 59101.

NEW CANADIAN MAGAZINE. "Electronics Work Shop". \$5.00 yearly, sample \$1.00. ETCOB, Box 741, Montreal, H3C 2V2.

RADIO MUSEUM now open. Free admission. 15,000 pieces of equipment from 1850 telegraph instruments to amateur and commercial transmitters of the 1920's. Amateur station W2AN. Write for information. Antique Wireless Assn., Main St., Holcomb, N. Y. 14469.

PC's, Send large S.A.S.E. for list. Semtronics, Rt. #3, Box 1, Bellaire, Ohio 43906.

WANTED: Collins mechanical filters 455 kHz center. High Z, 2.0 to 4.0 kHz width. Prefer 3.1 kHz. SM5CQT, Alf Thunstrom, Attingevagen 26, S-61100 Nykoping, Sweden.

DO-IT-URSELF EXPEDITION — Stay at ZF15B — Cayman Is. Vertical antenna and Caribbean at your doorstep. Diving/fishing if band folds. Write Spanish Bay Reef Resort, Box 800K, Grand Cayman, B. W. I.

ETCHED CIRCUITS glass epoxy, drilled and plated. \$.25/square inch. Send artwork to Ready Circuits, P. O. Box 34, Pinesdale, Montana 59841.

FERRITE BEADS: Ferroxcube beads w/specification and application sheet — 10 @ \$1.00 postpaid. Includes latest catalog. CJO Surplus, Box 189, Braintree, Mass. 02184.

FT-101 SERIES OWNERS — Annoyed by blower running needlessly with filaments off? For simple no-parts fix send dollar (creditable towards dues) for February 1976 Newsletter of International Fox-Tango Club, 248 Lake Dora Dr., W. Palm Beach, FL 33411.

GIVE YOUR ASCII-BAUDOT KEYBOARDS, Morse Code keyboard generators, or keyswitch oriented master control stations a distinct professional appearance with the Univue keyboard and control center enclosure. The 24 x 12 1/2 x 3" Univue enclosure gives you dimensional flexibility with a modern low profile appearance. The blank 23 x 8" removable aluminum front panel is easily cut to accommodate virtually any keyboard or control arrangement. Over 200 cubic inches of space in the rear is available for housing additional circuitry, allowing a complete and handsome desk top unit. The Univue enclosure body is precision machined welded steel, and is primed and surfaced light gray, ready for the color co-ordinated finish of your choice. Shipped complete with panel, heavy duty non-skid rubber feet, plated mounting hardware, and Money-Back Guarantee. \$29.95 plus \$4.50 shipping/handling. Send stamp for complete information and pictures to: Advanced Data Sciences, P. O. Drawer 1147B, Marion, Ohio 43302.

WANTED: Master Mobile Antenna parts, 1 set High-Q coils 80-10 meters. Master Matcher motorized rotary inductor, and Micro-Z Match. Prefer new or like new condition, state price and condition, No Junk Please. W3AEZ/W4J1Q, "Bud" Holderbaum, 331-102 West Side Drive, Gaithersburg, Maryland 20760. 301-948-1989.

COLLINS; 30S-1 in excellent operating and physical condx for Bendix R-1051B/E receiver. Sid Sidman, 3571 Gresham Court, Pleasanton, Calif. 94566.

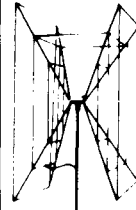
CORE MEMORY system for sale. 16,000 words 32 bits per word, with schematics. 2 master units and 2 slave units available, also a small drum memory unit. Will sell real cheap to best offer I get in cash and/or equipment in trade. Call David Kohl, 212 253-3401 evs.

ENGRAVED RADIO LICENSE. Exact reproduction in solid brass. Permanent identification. Send good Xerox copy, with \$5.00, to Metal Art Graphics, 1136 Potomac Ave., Hagerstown, Md. 21740.

SALE: Mod 15 TTY, XRT table, tape perf., two new keyboards, mod 14 TD, new typing reperf., no base, audio T.U. with A.F.S.K., KS-5988 supply, 120 V.D.C. @ up to 1.2A, 5A A.C. for motors, 255A relays, TTY manuals, mod 35 (281B), mod 32/33(273B), documentation for mod 14/15. Also: Robert dollar F.S.K. extier mod 4722. 100-1000 cy shift 2-7 MHz. Need good HT-44 and P.S. 150AC. C. Fuhrman, 327 E. Walnut, Marietta, Pa. 17547. 717-426-1260.

GEM-QUAD FIBRE-GLASS ANTENNA FOR 10, 15, and 20 METERS

Two Elements \$129.00
Extra Elements \$90.00
Price is F.O.B. Transcona
INCLUDES U.S. Customs
Duty



KIT COMPLETE WITH

- *SPIDER
- *ARMS
- *WIRE
- *BALUN KIT
- *BOOM WHERE NEEDED

WINNER OF MANITOBA DESIGN INSTITUTE AWARD OF EXCELLENCE

Buy two elements now — a third and fourth may be added later with little effort.

Enjoy up to 8 db forward gain on DX, with a 25 db back to front ratio and excellent side discrimination.

Get a maximum structural strength with low weight, using our "Tridetic" arms.

GEM QUAD PRODUCTS

Box 53
Transcona, Manitoba
Canada R2C 2Z5
Tel: (204) 866-3338



Aha, the SECRET of PC Board success finally revealed. A perfectly balanced lighting tool combining magnification with cool fluorescence. Excellent for fine detail, component assembly, etc. Lens is precision ground and polished.

Regularly \$70.00. Now, over 30% discount (only \$49.00) to all licensed Hams, verified in Callbook. Uses T-9 bulb (not supplied).

Include \$3.00 U.S. postage, or \$4.00 in Canada. \$5.00 elsewhere. California Residents include 6% sales tax. Or send stamped envelope for free brochure of other incandescent or fluorescent lamps suitable for all engineers, architects, students, etc.

Mastercharge and BankAmericard accepted

D-D ENTERPRISES

Dept. A, P. O. Box 7776
San Francisco, CA 94119

m. weinschenker
electronic specialties-BOX 353, IRWIN, PA 15642

SAROC™

HAWAII WEEK

INCLUDING

SAROC'S SECOND HAWAIIAN CONVENTION August 24 to 31, 1976

SPEND 8 FABULOUS DAYS IN EXCITING HAWAII ON SAROC'S HAWAII WEEK



Your holiday includes:

- Attendance at the SAROC Hawaiian Convention, Saturday, August 28.
- Seven nights at Del Webb's fabulous KUILIMA RESORT HOTEL and COUNTRY CLUB On Oahu's North Shore.
- Roundtrip air transportation, double occupancy in hotel room and SAROC Advance Registration just \$300 per person. Limit 2 pieces of luggage per person. Tax and gratuity included.
- Departs Los Angeles August 24, 1976 — Returns August 31, 1976.
- \$100 deposit by June 1, 1976, full payment by July 10, 1976.
- SAROC Advance Registration \$3.00, with Saturday Banquet \$10 per person.

Write for further details

SAROC™

BOX 945, BOULDER CITY, NEVADA 89005



LOGIC PROBE KIT Use with CMOS, TTL, DTL, RTL, HTL, HALL and most MOS IC's. Built in protection against polarity reversal and overvoltage. Draws only a few mA from circuit under test. Dual LED readout. Complete kit includes case and clip leads. \$8.95

VARIABLE REGULATED POWER SUPPLY KIT Continuously variable from 3 to over 15 Volts. Short circuit proof with electronic current limiting at 300 mA. Compact size and typical regulation of 0.1% make this a great bench or lab power supply. \$11.95

FIXED REGULATED POWER SUPPLY KITS Short circuit proof with thermal current limiting. Compact size and typical regulation of 0.05% make these ideal for most electronic projects. Available for 5V @ 500mA, 6V @ 500mA, 9V @ 500mA, 12V @ 400mA, 15V @ 300mA. Specify voltage when ordering. \$8.95 ea.

These easy to assemble kits include all components, complete detailed instructions and plated fiberglass PC boards. Power supply kits do not include case or meters. Add \$1.25 per kit for postage and handling.

TRANSISTORS (NPN)	
2N918 TYPE RF Amp & Oscillator to 1 GHz	3/51.00
2N3563 TYPE RF Amp & Osc to 1 GHz (pl. 2N918)	5/51.00
2N3563 TYPE Gen. Purpose Gain (TO 92/106)	5/51.00
2N3655 TYPE RF Power Amp. 1.5 W @ 450 MHz	\$1.50
2N3904 TYPE GP Amp & Sw to 100 mA HF 100	5/51.00
Assort. NPN GP TYPES, e.g. 2N3694, 2N3903, etc. (15)	\$2.00
2N3638 TYPE (PNP) GP Amp & Sw to 300 mA	5/51.00
2N3906 TYPE (PNP) GP Amp & Sw to 30 MHz	5/51.00

FET'S:	
N CHANNEL (LOW NOISE)	
2N4051 TYPE RF Amp & Switch (TO 18/106)	3/51.00
2N4416 TYPE RF Amplifier to 450 MHz (TO 72)	2/51.00
2N5163 TYPE Gen. Purpose Amp & Sw (TO 106)	3/51.00
2N5486 TYPE RF Amp to 450 MHz (plastic 2N4416)	2/51.00
E100 TYPE Low Cost Audio Amplifier	4/51.00
ITE4868 TYPE Ultra Low Noise Audio Amp	2/51.00
TIS74 TYPE High-Speed Switch 401:	3/51.00
Assort. RF & GP FET'S, e.g. 2N5163, MPF102, etc. (8)	\$2.00
P CHANNEL:	
2N4360 TYPE Gen. Purpose Amp & Sw (TO 106)	3/51.00
E175 TYPE High-Speed Switch 1251:(TO 106)	3/51.00

APRIL SPECIALS:

2N2222 NPN TRANSISTOR GP Amp & Switch	6/51.00
2N2907 PNP TRANSISTOR GP Amp & Switch	6/51.00
2N3552 RF Power Amp 5 W @ 150 MHz, 7 W @ 50 MHz	\$2.00
MPF102 N CHANNEL FET RF Amp 200 MHz	3/51.00
555 DUAL 555 TIMER 1 μsec to 1 hour (DIP)	\$1.00
723 VOLT. REGULATOR 3.30 V @ 1.200 mA (DIP/TO 5)	2/51.00
2740 FET Op Amp. Like NE536 and μA740 (TO 5)	\$2.40
μA7805 VOLTAGE REGULATOR 5 V @ 1 A (TO 220)	\$1.25
8038 WAVEFORM GENERATOR Wave wicks	\$4.50
1N4154 DIODE 30 V/10mA 1N914 except 30 V	25/51.00
BR1 BRIDGE RECTIFIER 50 V PIV. 500 mA (DIP)	3/51.00
MMS314 DIGITAL CLOCK CHIP With Specs/Schematics	\$4.95

LINEAR IC'S:	
308 Micro-Power Op Amp (TO 5/MINI DIP)	\$1.00
309X Voltage Regulator 5 V @ 1 A (TO 3)	\$1.25
324 Dual 741 Op Amp, Compensated (DIP)	\$1.50
340T Volt. Reg. 1 Amp-Specify 5, 6, 12, 15 or 24 V wicks	\$1.75
380 2.5 Watt Audio Amplifier 34 dB (DIP)	\$1.29
555 Timer 1 μs to 1 hr. NE555, LM555, etc. (MINI DIP)	\$.65
709 Popular Op Amp (DIP/TO 5)	\$.29
738 Dual Low-Noise Audio Preamp/Op Amp (DIP)	\$1.00
1458 Dual 741 Op Amp (MINI DIP)	\$.65
741 Freq. Comp. Op Amp (DIP/TO 5/MINI DIP)	3/51.00

DIODES:	
ZENERS—Specify Voltage 3.3, 3.9, 4.3, 5.1, 6.8, 8.2	400mw 4/51.00
9.1, 10, 12, 15, 16, 18, 20, 22, 24, 27, or 33V (10%)	1 Watt 3/51.00
1N914 or 1N4148 TYPE General Purpose 100V/10mA	15/51.00
1N3893 TYPE RECTIFIER Stud Mount 400 V/12 A	2/51.00
D5 VARACTOR 5 50 W Output @ 30 250 MHz, 7 70 pF	\$5.00
F7 VARACTOR 1 3 W Output @ 100 500 MHz, 5 30 pF	\$1.00

*MAIL NOW! FREE DATA SHEETS supplied with every item from this ad. FREE ON REQUEST. 741 Op Amp with every order of \$5 or more. 749 Dual Op Amp or two E100 FET's with every order of \$10 or more, postmarked prior to 6/30/76. One free item per order.
ORDER TODAY! All items subject to prior sale and prices subject to change without notice. All items are new surplus parts. 100% functionality tested.
WRITE FOR FREE CATALOG - 7510 offerings over 350 semiconductors carried in stock. Send 13¢ stamp.
TERMS: Send check or money order (U.S. funds) with order. We pay 1% (3% postage to U.S., Canada and Mexico) except on kits! \$1.00 handling charge on orders under \$10. Calif. residents add 6% sales tax. Foreign orders add postage. COD orders add \$1.00 service charge.

ADVA ELECTRONICS
BOX 4181 B, WOODSIDE, CA 94062
Tel. (415) 851-0455

flea market

FIGHT TVI with the RSO Low Pass Filter. For brochure write: Taylor Communications Manufacturing Company, Box 126, Agincourt, Ontario, Canada. MIS 384.

300 MHz PRE-SCALER. Fairchild 95H90, \$15.00. See Feb. issue, page 32. Colella, 105-18 131 St., Richmond Hill, N. Y. 11419.

TELETYPE PAPER NEW, Fresh from the mill! 4 1/2" rolls white or canary. For all friction feed Teletype machines. \$20/ case of 12. Buy 5 cases, only \$18 each. ZTY-RTTY Paper Co., Box 147, Corunna, Mi. 48817.

SYLVANIA 101 TV CAMERA with new vidicon and lens, \$85. George Lazarus, 639 Stephen Drive, Palatine, Ill. 60067.

WANTED: Inoperative Collins R390A to repair and maintenance of my R-390A. Ed Wagner, 1018 Birch Haven Cir., Monona, Wis. 53716.

CLEGG FM27B. Latest, like new, never mobile, used very little, \$349.50. SASE with check. KQEPJ, Morton Jacobs, M.D., 6416 Verona Road, Mission Hills, Kansas 66208.

TELETYPE EQUIPMENT FOR SALE for beginners and experienced operators. RTTY machines, parts, supplies. Special beginners package consists of Model 15 page printer and TH5-TG demodulator, \$125.00. Atlantic Surplus Sales, 3730 Nautilus Ave., Brooklyn, N. Y. 11224. Tel: (212) 372-0349.

FREE Catalog, LEDs, microphones, nicads, IC's, relays, ultrasonic devices, precision trimmer capacitors, digital thermometers, unique components. Chaney's, Box 15431, Lakewood, Colo. 80215.

QSL CARDS — Something completely different. Nothing even close to it on the market! Samples: 25¢. W5UTT, Box 1171D, Garland, TX 75040.

DIRECT CONVERSION AM RECEIVER, basic kit \$24.95. Send SASE for details. Electro Physics Co., 9303 Major Avenue, Morton Grove, IL 60053.

TELETYPEWRITER PARTS, gears, manuals, supplies, tape, toroids. SASE list. Typetronics, Box 8673, Ft. Lauderdale, Fl. 33310. Buy parts, late machines.
FOR SALE: 2 to 432 Transverter to 14w output with manual \$55.00. Jim, W1VYB, 53 Lothrop St., Beverly, Mass. 01915.

TELL YOUR FRIENDS about the BIG NEW Ham Radio Magazine!

KENWOOD TS520 with C.W. filter, \$600. V.F.O. 520, \$100, SP520, \$15, or lot \$700. Dentron 160XW transverter, \$140. WB2ZVQ, P. O. Box 340, Breesport, N. Y. 14816. Ph. 739-2506.

DESOLDERING AIDS AND HAND TOOLS. R. L. Syphers Associates, Box 883, Dept. H, Bensenville, Illinois 60106.

QSL'S — BROWNIE W3CJI — 3035B Lehigh. Allentown, Pa. 18103. Samples with cut catalog 50¢.

EXCLUSIVELY HAM TELETYPE 21st year, RTTY Journal, articles, news, DX, VHF, classified ads. Sample 35¢. \$3.50 per year. Box 837, Royal Oak, Michigan 48068.

MANUALS for Govt. surplus gear, \$6.50 each: URM-25D, SP-600JX, TT-63A/FGC, TS-382D/U, ALR-5. Thousands more available. Send 50¢ (coin) for 22-page catalog. W3IHD, 7218 Roanne Drive, Washington, D. C. 20021.

OSCAR 7, SSB-CW TRANSMIT CONVERTERS. For 28 or 50 MHz input at 20 mw. 432 MHz output at 1 watt. Solid state, for 12 volt supply. 35 watt solid state amplifier available for this converter. Units designed and built by W0ENC. Write for information. UHF-VHF Communications, 53 St. Andrew, Rapid City, S. D. 57701.

SAVE! Bomar FM, xtals \$4.00 ppd. Dentron, Hustler, CushCraft, W. M. Nye, Ameco, used gear. Complete catalog. Write: Ferris Radio, 308 E. Harry, Hazel Park, Mich. 48030.

WINNEBAGO 20-foot motorhome. Loaded with options. Hot and cold running water, full bathroom, heat, air conditioning, 2500-watt generator, antennas. Sleeps 6-8. Ideal for field day. Send for spec sheet to Peter Stark, K2OAW, Box 209, Mt. Kisco, N. Y. 10549.

R-X NOISE BRIDGE



- Learn the truth about your antenna.
- Find its resonant frequency.
- Find R and X off-resonance.
- Independent R & X dials greatly simplify tuning beams, dipoles, quads.
- Connect to antenna and to receiver. Tune receiver to desired frequency. Listen to loud noise. Turn R and X dials for null. Read R direct from dial. X dial tells if antenna is too long (X_L), too short (X_C), or on frequency (X=0).
- Compact, lightweight, battery operated.
- Simple to use. Self contained.
- Broadband 1-100 MHz.
- Free brochure on request.
- Order direct. \$39.95 PPD U.S. & Canada (add sales tax in Calif.)

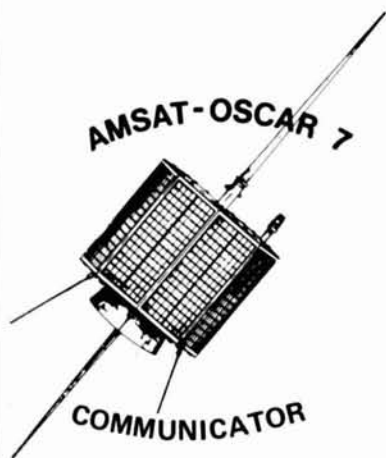
PALOMAR ENGINEERS
BOX 455, ESCONDIDO, CA 92025
Phone: (714) 747-3343

ELECTRONIC ENGINEERS

RF COMMUNICATIONS has immediate openings for Electronic Project Engineers and Design Engineers experienced in HF, SSB, VHF/UHF — FM communications equipment, or both.

Call or write
Ken Cooper, W2FLZ
(716) 244-5830

RF Communications Division HARRIS
COMMUNICATIONS AND INFORMATION HANDLING
1680 University Avenue
Rochester, New York
14610 U.S.A.
An Equal Opportunity Employer M/F



Support the AMSAT Team That Brought Us OSCAR 6 and 7

Since November 1974, Amateur Radio has had not one, but two long-life OSCAR satellites available for use by the international Amateur Radio community.

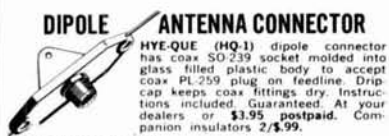
AMSAT is now developing Phase III spacecraft, intended for much higher orbits. AMSAT Phase III promises to be a considerable step forward beyond OSCAR satellites launched to date, making possible reliable communications over transcontinental distances for hours at a time.

Please write now to find out how you can help make this possible.
AMSAT Membership Dept., P. O. Box 27, Washington, D. C. 20044.

MODSET: precision modulation measurements for AM-SSB, 0.2 to 300 MHz, \$29.50 (Kit: \$19.50)

D. R. CORBIN MFG. CO.

P. O. Box 44, North Bend, Ore. 97459



BUDWIG MFG. Co. PO Box 97H, Ramona, CA 92065

WANTED FOR CASH



4X150
or 4CX250

4CX1000
4 or 5CX1500
3000 or 5000

4-65
4-125A

4-250
or 4-400
or 4-1000

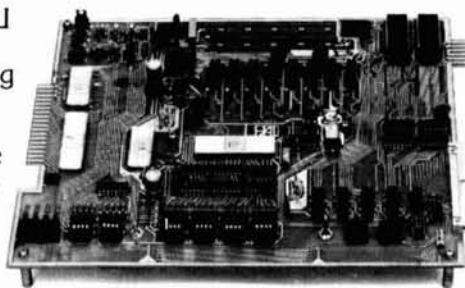
Other tubes and Klystrons also wanted. See HR last issue for other equip. required.

The Ted Dames Company

308 Hickory Street Arlington, N. J. 07032
(201) 998-4246 Nites (201) 998-6475

If you want a microcomputer with all of these standard features...

- 8080 MPU (The one with growing software support)
- 1024 Byte ROM (With maximum capacity of 4K Bytes)
- 1024 Byte RAM (With maximum capacity of 2K Bytes)
- TTY Serial I/O
- EIA Serial I/O
- 3 parallel I/O's
- ASCII/Baudot terminal compatibility with TTY machines or video units
- Monitor having load, dump, display, insert and go functions



- Complete with card connectors
- Comprehensive User's Manual, plus Intel 8080 User's Manual
- Completely factory assembled and tested —not a kit

Optional accessories: keyboard/video display, audio cassette modem interface, power supply, ROM programmer, and attractive cabinetry... plus more options to follow.

The HAL MCEM-8080. \$375

...then let us send you our card.

HAL Communications Corp. has been a leader in digital communications for over half a decade. The MCEM-8080 microcomputer shows just how far this leadership has taken us... and how far it can take you in your applications. That's why we'd like to send you our card — one PC board that we feel is the best-valued, most complete

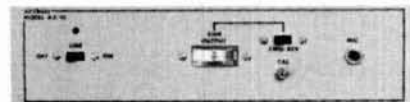
microcomputer you can buy. For details on the MCEM-8080, write today. We'll also include comprehensive information on the HAL DS-3000 KSR microprocessor-based terminal, the terminal that gives you multi-code compatibility, flexibility for future changes, editing, and a convenient, large video display format.



HAL Communications Corp.
Box 365, 807 E. Green Street, Urbana, Illinois 61801
Telephone (217) 367-7373

FAST SCAN AMATEUR TELEVISION EQUIPMENT

- SOLID STATE
- BROADCAST QUALITY PERFORMANCE
- FOR TECHNICAL DATA AND PRICING, WRITE TO:



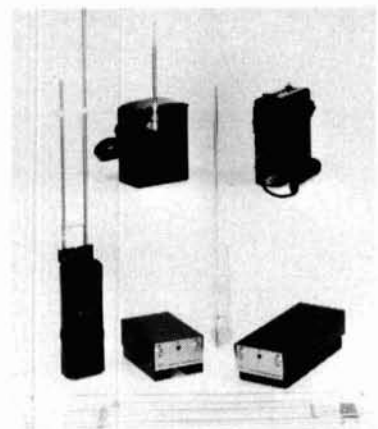
AX-10 TRANSMITTER



AM-1A RCVR MODEM

APTRON LABORATORIES BOX 323, BLOOMINGTON, IN 47401

SCS ANNOUNCES MOVE!



We've moved to larger quarters to better serve you. Please contact our Dealer nearest you!

Apache Auto Machine & Parts
8825 N. Central
Phoenix, AZ 85022

WestComm
1088 Morado Dr.
Cincinnati, OH 45238

Gary Radio
8199 Clairemont Mesa Blvd
San Diego, CA 92111

Maggiore
Electronic Laboratory
845 Westtown Rd.
West Chester, PA 19380

Antenna King
25326 S. Crenshaw Blvd.
Torrance, CA 90505
(excl. LA area)

Bellaire
Electronics Supply
5200 Bellaire Blvd.
Bellaire, TX 77401

Quement Electronics
1000 S. Bascom Ave.
San Jose, CA 95128

Shortwave Shop
5233 Spencer Hwy.
Pasadena, TX 77505

Microcom
14908 Sandy Lane
San Jose, CA 95124

Texas RF Distributors
6914 South Park
Houston, TX 77033
(excl. Dist. for TX, LA, OK, AR)

Wallis
1390 Galindo St.
Concord, CA 94520

Amateur Radio Supply Co.
6213 13th Avenue S.
Seattle, WA 98108

Floyd C. Whipple
208 E. Simpson St.
Lafayette, Colo. 80026

Ing. Hannes Bauer KG
Hornthalstraße 8
Postfiche 2387
86 Bamberg, W. Germany

Discount
Electronic Supply
1 Financial Plaza
Hartford, CN 06103

Earl Lagergren
D-8034 Unterpfaffenhofen
PO Box 53
Munich, W. Germany

James M. Homan
411 Cleveland St.
Clearwater, FL 33516

Bakfor
'La Merinerie'
37160 Descartes
Buxeuil, France

Spectronics, Inc.
1009 Garfield St.
Oak Park, IL 60304
(excl. Illinois)

O-P Electronics
Bogfinkevej 7
Kraghave
4800 Nykøbing
Giro 80812, Denmark

Tufts Radio Electronics
386 Main St.
Medford, MA 02155

Sideband
Electronics Imports
PO Box 23
Springwood
NSW 2777, Australia

Vegas Radio
1074 N. Rancho Rd.
Las Vegas, NV 89106

Manzano Enterprises
Box 198 Star Route
Tijeras, NM 87059

Juan Cerdan Soto
Avda. Caudillo 5
Caella
Barcelona, Spain

Vickers Electronic Supply
529 E. Main St.
Durham, NC 27702

Visit our booth at:

ARRL SW Div., Tucson, Apr. 9-11

Dayton Hamvention, Dayton, Apr. 23-25

Specialty Communications Systems

8160 Miramar Road
San Diego, CA 92126

Louis N. Anciaux, WB6NMT

(Dealer inquiries invited.)

714-271-6310



flea market

WANTED: Transceiver, receiver or transmitter in good condition. Send information-price. WA7IBT, 1122 East Hays St., Boise, ID 83702.

Coming Events

MICROPROCESSORS AT DAYTON. Don't miss Ham Radio's exciting one day Microprocessor Seminars to be held on both Friday, April 23 and Saturday, April 24. Taught by professionals. Widely acclaimed as one of the outstanding parts of this year's SAROC. Full details in display ad in this issue or from Ham Radio, Greenville, NH 03048. 603-878-1441.

ROCHESTER HAMFEST, Official New York State ARRL Convention, May 21-23. Write Rochester Hamfest, Box 1388, Rochester, N. Y. 14603 for full details. See our display ad in this issue.

1976 MASSACHUSETTS BICENTENNIAL QSO PARTY, May 1 & 2, sponsored by the South Shore Repeater Assoc., WRIACT, Scituate, Mass., and endorsed by the Massachusetts Bicentennial Commission. Begins on May 1 at 0000 UTC and ends on May 2 at 2400 UTC, no time limit. Contact Robert J. Doherty, W1GDB, 14 Pine St., RFD #1, Sandwich, MA 02563 for rules and scoring.

WEST LIBERTY, OHIO FLEA MARKET & AUCTION. May 16, 1976 at West Liberty Lions Park sponsored by the Champaign Logan Amateur Radio Club.

DELTA DIVISION CONVENTION & HAMFEST, April 24 & 25, Jackson, Mississippi State Fairgrounds. Details from WB5HAH.

HAM AUCTION. Hull, Massachusetts, April 17 at the VFW Hall. Sponsored by South Shore Repeater Association, WRIACT. "Tag all gear, club share 10%." If you plan to bring equipment and wish a copy of the auction rules, contact WA1QWT, WA1RKT or W1FGI on 90/30, or write.

COLUMBUS GEORGIA HAMFEST, April 24 & 25, Fine Arts Bldg., Columbus Municipal Fairgrounds. Further information from Dennis Hands, Jr., K4ICR, Rt. #1, Box 172A, Cataula, GA 31804.

RARITAN VALLEY RADIO CLUB DUNELLEN, NEW JERSEY HAMFEST, June 19 — Rain date 20th. For information write: K2VHW, 1504 New Durham Road, South Plainfield, N. J. 07080.

THE MESILLA VALLEY RADIO CLUB sponsors Whitey's Bean Feed and Swap-Fest Sunday, April 25th, at 10:00 a.m. Located near Las Cruces, N. M. at La Mesa, with talk-in on 16-76 and 3940 KC. Fun for all the family with big prizes, plenty of food and the usual beverage truck. All included for \$4.00 for adults and \$1.75 for kid tickets. Eat, drink and win a prize with Whitey, K5ECQ as host. Free overnight parking at grounds so come for a spell! All correspondence should be made with the Chairman, W. E. Ratcliff.

SAYREVILLE, NEW JERSEY, RBRA Indoor Electronic Flea Market. Sunday, April 25, 1976, 11:00 a.m.-4:00 p.m., Sayreville Civic Center, (Old V.F.W. Hall), Dolan Street, Sayreville, New Jersey 08872. Tables available. Door prizes and refreshments. For information, contact: Rick Giacchi, WA2SAJ, 98 Kendall Drive, Parlin, New Jersey 08859. 201-727-7999.

CADILLAC, MICHIGAN SWAP & SHOP. The Wexauke Amateur Radio Association 16th Annual Swap-Shop and Eyeball, May 1st in the National Guard Armory, Cadillac, Michigan starting 9 a.m. Open to all radio amateurs, citizens banders, and anyone interested in radio communications. Lunch available, lots of free parking. Tickets at the door. Hope to see you all.

FLEA MARKET/AUCTION, May 2, Trenton, New Jersey. The Delaware Valley Radio Association, W2ZQ/WR2ADE annual flea market and auction will be held Sunday, May 2, 1976, at the Pennington Road Fire Company, 1666 Pennington Road, Ewing Township, Trenton, New Jersey. Flea market begins 9 a.m. followed by auction at approximately 1:30 p.m. Registration \$1.50, tailgating \$2.00. Indoor flea market tables available. Follow signs from Rt. 1 or I-95. Talk-in W2ZQ/2 on 146.07-67 and 146.52 MHz. Refreshments available. For further information write: D.V.R.A. - W2ZQ, P. O. Box 7024, W. Trenton, N. J. 08628, s.a.s.e. please.

Solid State Modules

2050 KOMO MAI DRIVE
PEARL CITY, HAWAII 96782
PHONE (808) 455-2282



This unit is a linear transmit and receive converter from 10 meters to 2 meters, suitable for use with either a separate transmitter and receiver or transceivers.

Any transmissions mode fed into the unit is retransmitted on 2 meters. When used with YAESU MUSEN gear it takes its power directly from the accessory socket on the H.F. equipment.

Used in conjunction with other gear, the required voltages may be taken from the H.F. equipment or a separate power supply may be used.

SPECIFICATIONS

- Dual Gate MOSFETS in the receive converter.
- Bipolar transistor oscillator chain.
- 200 W P.E.P. input.
- Transmitter drive requirement only 100 mW.
- Receive converter gain - 30dB.
- SIZE - 9" x 4 3/4" front panel 4 1/2" deep.
- Power supply requirements:
 1. 600-800V at 250 mA.
 2. 300-350V at 70 mA.
 3. -75 to -150V at 5mA.
 4. 12.6V ac. 1.8 amp.

The Europa-B ON-OFF switch switches the Yaesu H.F.P.A. heaters ON and OFF automatically.

Introductory Price: \$279.95 less tubes
Tubes Required 2 - 6360
1 - 5894

Total price with tubes \$299.95

Dealer Inquiries Invited

Low Noise and Miniature VHF Pre-amps available.

PORTA-PAK

RIPPED OFF?



NOT IF YOU KEEP IT WITH YOU. OR LOCK IT IN THE TRUNK. PORTA-PAK ENABLES YOU TO DO THIS EASILY. ONLY ONE CONNECTION. YOUR MOBILE ANTENNA.

PORTA-PAKS ARE ATTRACTIVELY FINISHED IN BLACK WRINKLE AND ARE BAKED FOR DURABILITY AND LASTING GOOD LOOKS.

THE DELUXE PORTA-PAK FEATURES A BATTERY WITH NO FREE ELECTROLYTE TO SPILL. A CHARGER AND PLUG-IN FOR IT ARE PROVIDED.

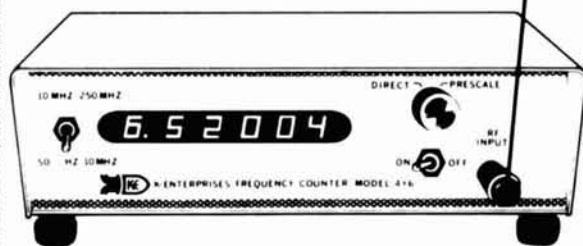
MODELS IN STOCK INCLUDE:	REGENCY HR6 HR28
BTL BTH MT 25 MT15	MICRO-COM LINE
GENAVE: ALL MODELS	HEATHKIT HW 202
ICOM 230 AND 22A MIDLAND	STANDARD

DELUXE PORTA-PAK \$89.95

ADD \$1.75 PER UNIT FOR SHIPPING AND HANDLING

PORTA-PAK, INC.
P.O. BOX 67
SOMERS, WI. 53171

K-ENTERPRISES



MODEL 4X6C
50 HZ—250 MHZ \$270.00

300 and 500 MHZ PRESCALERS
FREQUENCY STANDARDS
MARKER and PEAKING GENERATORS
POWER SUPPLIES AMPLIFIERS

WRITE FOR FREE CATALOG



Phone:
 405-273-9024



K-ENTERPRISES

1401 N. Tucker

Shawnee, Okla. 74801

Rochester HAMFEST

**HUGE INDOOR
 AND OUTDOOR
 FLEA MARKET**

**SEE LATEST
 EQUIPMENT
 BY THE NATION'S
 LEADING
 MANUFACTURERS**

AWARDS BANQUET

**HOTEL HEADQUARTERS
 ROCHESTER MARRIOTT
 ROUTE 15 AT THRUWAY
 EXIT 46**

**HAMFEST LOCATION
 MONROE COUNTY
 FAIRGROUNDS**

**ROUTE 15A AND
 CALKINS ROAD
 ROCHESTER, N. Y.**

**WRITE:
 ROCHESTER HAMFEST
 BOX 1388
 ROCHESTER, N. Y. 14603**

**OR CALL:
 716-271-1460 DAYS ONLY**

OFFICIAL
 N. Y. STATE
 ARRL
 CONVENTION

**MAY
 21-23
 1976**

NES

NURMI ELECTRONIC SUPPLY, INC.

Department 818

1727 Donna Road, West Palm Beach, Florida 33409
 PHONE — (305) 686-8553



Mf Power



We are now franchised for Motorola Semiconductors — Factory Direct — Here are all of the popular types — If you need something else — Write — We'll quote it — All ratings are at 175MHZ, V_{CC} of 12.5V, gains are minimums.

Type	P _{OUT} (W)	Gain (db)	Price	Type	P _{OUT} (W)	Gain (db)	Price
2N5589	3.0	8.2	\$ 5.82	2N6080	4.0	12	\$ 6.91
2N5590	10.0	5.2	8.00	2N6081	15.0	6.3	10.90
2N5591	25.0	4.4	13.09	2N6082	25.0	6.2	14.26
				2N6083	30.0	5.7	16.34
				2N6084	40.0	4.5	19.97

ARCO / EL MENCO TRIMMER CAPS



Type	Range (PF)	Price	Type	Range (PF)	Price
400	0.97	\$ 55	4213	170.600	\$1.77
402	1.520	55	4214	190.650	1.89
403	4.40	67	4215	210.700	1.99
404	4.60	81	460	1.515	65
405	10.80	1.01	461	2.740	70
406	15.115	1.04	462	5.80	70
420	1.12	58	463	10.180	70
421	2.25	55	464	25.280	80
422	4.40	55	465	50.380	1.03
423	7.100	64	466	75.480	1.15
424	16.150	80	467	105.580	1.15
425	24.200	85	468	135.680	1.40
426	37.250	1.01	469	170.780	1.40
427	55.300	1.12	4610	210.900	1.68
428	70.350	1.26	4611	250.1000	1.80
429	90.400	1.26	4612	290.1100	1.95
4210	110.450	1.41	4613	330.1200	2.10
4211	130.500	1.59	4614	360.1300	2.20
4212	150.550	1.63	4615	390.1400	2.35

BELDEN

The most respected name in the electronic wire and cable industry. Here's just a few of their interesting and hard to find cables:

- #8216 RG-174/U Miniature (.100" Dia.) 50 Ohm. Coax.
 100 Ft. / \$6.75 500 Ft. / \$24.75
- #8000 14 ga. Stranded Copperweld Antenna Wire.
 75 Ft. / \$3.54 100 Ft. / \$4.38 1,000 Ft. / \$39.60
- #8235 300 Ohm Twin Lead, rated at 1 Kw.(RF) to 30 MHZ.
 Atten: 0.8 db / 100 Ft. at 100 MHZ.
 100 Ft. / \$8.80 500 Ft. / \$39.25
- #8210 72 Ohm Twin Lead, rated at 1Kw.(RF) to 30 MHZ.
 Atten: 3.8 db / 100 Ft. at 100 MHZ.
 100 Ft. / \$18.00 250 Ft. / \$35.80
- #8018 8 ga. Aluminum Ground Wire. Cut to length. Sold in multiples of 50 feet. 50 Ft. / \$1.97
- #8491 6 Foot Coiled Mike Cord. 4 Conductors, 2 - shielded, 2 - unshielded, 100% shield coverage. \$3.12 each
- #8448 8 Conductor Rotor Cable, 2 - 18 ga., 6 - 22 ga. The cable recommended by CDE for their Ham II, Ham M, and TR-44 Rotors.
 \$.25 / Ft. 100 Ft. / \$15.45 250 Ft. / \$34.05
 500 Ft. / \$68.10 1,000 Ft. / \$136.20

We'll send you a complete Belden Catalog and Price List with any \$50.00 Belden order. JUST ASK FOR IT.

MALLORY

PTC - 205

Equivalent to HEP 170
 (Now HEP RO 170)

The "Do Everything" 2 1/2 Amp. 1,000 Volt Diode.
 10 / \$2.50 100 / \$20.00

RCA

40673's FET

The most popular Dual Gate Protected MOS FET. Good to over 400 MHZ. We got 'em. 5 / \$6.00

We ship UPS whenever possible. Give street address. Include enough for postage, excess refunded in cash. Florida residents include 4% Tax.

GOT YOURS YET?



U.S. PAT. #3410122

HUMP MOUNT,
that is. Lock Your
Mobile Radio to this solid
stand and relax.

- Cannot be pried loose — Special mounting bolts, screws, and tinnerman nuts prevents removal regardless of force applied except with keys provided.
- Combines hump mount adjustable brackets and wrap around lock.
- Tempered steel no-pick lock — chrome plated finish — quality construction prevents picking or cutting.
- Beautifully finished in black wrinkle.
- Send us height and width dimensions of your radio with your order.
- Satisfaction Guaranteed.

Dealer Inquiries Invited!

Hump Mount \$29.95
Plus \$2.00 Shipping/Handling

ORDER TODAY FROM:

Pruitt Enterprises

Nat'l Manufacturer's Representative
BOX 41H4
TONOPAH, NV. 89049
702-482-3473



flea market

WESTMINSTER, MARYLAND HAMFEST. The Potomac Area VHF Society will hold their annual hamfest on Sunday, May 2, 1976, at the Agricultural Center in Westminister, Maryland, 9 a.m. to 5 p.m. Registration, \$3. Talk-in 146.94 and 52. For information contact K3DUA or WA3NZL.

KENTUCKY HAM-O-RAMA — Sunday, May 30 (Memorial Day Weekend). Details in May issue. Info: NKARC, P. O. Box 31, Ft. Mitchell, Kentucky 41017.

HAMFEST Sunday, May 2, 1976 at the Kansas City Trade Mark, Exhibit Hall 3 (Old Municipal Airport Terminal Building) starting at 9:00 a.m. This is the 7th Annual Northwest Missouri Hamfest sponsored by the P.H.D. Amateur Radio Association, Inc. Admission \$1.50 in advance, \$2.00 at the door. Refreshments available; swap tables for a fee; forums, contests, prizes, commercial exhibits; women's and children's programs. Talk in on 34/94 and 3925. Contact Marti Dray, WBØERI, Rt. 2, Box 23, Lathrop, MO 64465 for further information.

MICHIGAN QSO PARTY, 1800 UTC, May 15 to 0200 UTC, May 17. Phone and CW are separate contests, but one may enter logs for both. Michigan stations can work Michigan counties for multipliers. A station may be contacted once on each band/mode. Portable/mobiles may be counted as new contacts each time county changes. Exchange RS(T), QSO #, County for Michigan; state or country for others. (Example: 579001 Oakland). Suggested frequencies: CW - 1810, 3540, 3725, 7035, 7123, 14035, 21035, 21125, 28035, 28125. Phone - 1815, 3905, 7280, 14280, 21380, 28580. VHF - 50.125, 145.025. Full details from Mark Shaw, WA8EDC, 3810 Woodman, Troy, Michigan 48084.

GREATER BALTIMORE HAMBOREE, Sunday, April 4th at 9:00 a.m. at Calvert Hall College, Goucher Blvd. and LaSalle Road, Towson, Maryland 21204, (1 mile south of Exit 28 Beltway - Interstate 695) Prizes, flea market, registration \$2. 250 tables inside gym. Over 1000 attended last year. Info: Contact Brother Gerald Malseed, W3WVC at the above address.

MICHIGAN GOVERNOR'S ACHIEVEMENT AWARD, awarded on the following basis: A Michigan ham submits log information and names and addresses (if possible) of 15 or more contacts made to out-of-state or DX hams with information regarding Michigan. An out-of-state ham, including Canada, submits information and names and addresses (if possible) of at least 5 Michigan hams who relate facts to him about Michigan. A Foreign ham, excluding any resident of Canada, submits the call letters and name/address plus log information for at least (1) Michigan ham who has told him about Michigan. Only QSO's made during Michigan Week, May 15-22, will be considered valid. All applications must be postmarked by July 1, 1976 and mailed to Governor William Milliken, Lansing, Michigan 48902.

WØEEE PRESENTS! The University of Mo-Rolla ARC, WØEEE, announces the 1st annual Triple-Letter QSO Party, 1700, April 24, 1976 to 2000 April 25. All bands 160-2 meters (no rptr QSO's), all modes (no cross-mode). Exchange signal report (RS(T)) and consecutive S/N, each station may be worked once per band per mode. Frequencies: Phone - 3950, 7215, 14290, 21375, 28600. CW - 45 kHz up from band edge (i.e. 3545 kHz). Send logs with usual data and declaration before 20 May, 1976 to: Ward Silver, WBØGQP, 590 Fieldstone, Ballwin, Mo. 63011.

HAMFEST! Indiana's friendliest and largest Spring hamfest. Wabash County Amateur Radio Club's 8th Annual Hamfest will be held Sunday, May 23, 1976, rain or shine, at the 4-H Fairgrounds in Wabash, Indiana. Large flea market (no table or set-up charge), technical forums, bingo for XYL's, free overnight camping with AC hookup, plenty of parking. Lots of good food at reasonable prices. Admission is \$1.50 for advance tickets, \$2.00 at the gate. For more information or advanced tickets, write Bob Mitting, 663 Spring Street, Wabash, Indiana 46992.

THE CHAMPAIGN LOGAN AMATEUR RADIO CLUB is holding its 6th annual flea market and auction on May 16, 1976 starting at 12 p.m. at the West Liberty Lions Park at West Liberty, Ohio 43357. Free admission, trunk sales and tables \$1.00. Door prizes. Talk-in on 146.52 and 146.13/73.

flea market

NORTHWESTERN PENNSYLVANIA Swapfest. May 1, Crawford County Fairgrounds, Meadville. Free Admission, \$1 to display. Flea market begins at 10:00 a.m. Hourly door prizes; refreshments. Commercial displays welcome. Indoor if rain. Talk-in 146.04/64 and 146.52 MHz. Details, Crawford Amateur Radio Society, Box 653, Meadville, Pa. 16335.

F.M. BASH, DAYTON, OHIO, April 23, 1976, on the Friday night of the Dayton Hamvention. This is a social evening for all hams and their ladies from 9 p.m. til midnight. Free admission, free snacks, C.O.D. bar, live entertainment by TV personality Rob Reider (WA8GFF) and his group. The 11 p.m. prize drawing will feature a Clegg FM-DX and other prizes. A new larger location at the Dayton Biltmore Towers, (First and Main St. 45402) will accommodate the crowd and afford 3 alternate routes to the Hamvention Center. Make your reservation direct to stay where the action is. Milt Kohl, W8SLY, Miami Valley F.M. Association, 7575 McEwen Road, Dayton, Ohio 45459.

160 MTR. OPERATORS: Chiburban Radio Mobiles Net meets on 1.833 MHz every Wednesday 0200 UTC, Sunday 1700 UTC. All modes - AM, SSB, CW welcome. WB9FJJ, V.P., CRM.

ARRL SOUTHWESTERN DIVISION CONVENTION, April 9, 10, 11 in Tucson, Arizona. Under one roof in the Braniff Place Hotel, 4 blocks east of I-10 at Congress Street exit. Technical sessions, swap meet, banquet, Wouff Hong, exhibits, ladies program, and much more. Talk in on 146.22/146.82 and 146.82 simplex. H.F. talk-in on 7260 kHz. For details write ARRL Southwestern Division Convention, P. O. Box 12261, Tucson, AZ 84732.

POTTSTOWN, PA.: Pottstown Area Repeater Team Hamfest and Flea Market, Sunday, May 23, 9:00 a.m.-4:00 p.m., Rt. 422 Hiway Drive-in, 8 miles east of Pottstown. Prizes, auction, contests, refreshments. Talk-in 52/52, 81/21, 66/06. Registration \$2.00, tailgate \$1.00. A. Jefferson, WA3VYS, 444 Roland Ave., Pottstown, Pa. 19464.

ROCK RIVER HAMFEST. April 25, Amboy, Illinois. Lee Co. 4-H Center, Jct. 30 & 52. Same place as last year. For further details see hamfest calendar. \$1.00 advance, gate \$2.00. Write Carl Karlson, W9ECF, Nachusa, Illinois

W6LS 11th BURBANK CALIFORNIA HAMFEST. Saturday and Sunday, May 15 & 16. Flea market, prizes. 2814 Empire Avenue, Burbank, California 91504.

MOULTRIE AMATEUR RADIO KLUB 15th annual hamfest, April 25, Wyman Park, Sullivan, Illinois. Indoor-outdoor market. Advance ticket sales by mail only, \$1.25 or \$1.50 at gate. Write: MARK, P. O. Box 327, Mattoon, Ill. 61938.

YOUR AD belongs here too. Why not send it in today.

Stolen Equipment

STOLEN: Heathkit HW 202 2 mtr. Transceiver. Series #07429. "Stolen from WBØAGT SSN 410-66-8452" engraved on back. Has home brew synthesizer installed on top of set, approx. same size as HW 202 and painted black. Notify any law enforcement agency or: Dick Cullen WBØAGT, 303-598-1849, 1515 Newcastle St., Colorado Springs, Colo. 80907.

STOLEN — RF Comm. Inc. RF-403 2mtr. Transceiver, Serial # unknown. 4 chan. 80 watts. Color is black. Please notify FBI, or: Wallace Moore, WBØAWH, 303-986-3909, 12053 W. Virginia Ave., Lakewood, Colo. 80228.

STOLEN. HR-2 Regency 2 mtr. Transceiver, SN 04-02689. Please notify police dept. or: Dick Sucher, WAØZLY, 303-473-4186, 3410 N. Prospect St., Colorado Springs, Colo. 80907.

STOLEN EQUIPMENT: SBE - Linear Systems #SB 36, Transceiver with #SB 36-ACP speaker and power supply. S/N 71128, base station. Courier # COP 50 HL, S/N ?, VHF monitor radio, hi & lo band. Courier # COP 75, S/? VHF automatic scanner, hi-band. Stolen January 26 or 27 from South Fork Electronics Corp., 36 Hampton Road, Southampton, N. Y. 11968, 516-283-8686. Taken without accessories or manuals. People possessing this equipment may be seeking information and/or accessories for same.

COMPARE SPECS... COMPARE PRICES NO COMPARISON!

Hey! We started it all — with
the Amazing Logarithmic
SPEECH PROCESSOR



CHECK
THIS
WAVE-
FORM

MODEL 60A

MIC
INPUT

PROCESS
OUTPUT

PHOTOCOPY
OF SCOPE
WAVEFORM

- Average To Peak Audio Ratio Increased up to 8 db.
- Frequency Response: $\pm 1\frac{1}{2}$ db., 300-3000 Hz.
- Process Level Control and In/Out Switch
- Requires: 2, 9V. Internal Batteries, 1.5ma Drain

MODEL 60AW (WIRED) — \$29.95

MODEL 60AK (KIT) — \$23.95

P.C. BOARD KIT (200-15AK) — \$14.95

ADD \$1.00 POSTAGE TO DIRECT ORDER. PA. RES. ADD 6% TAX.
ORDER DIRECT or write for FREE brochure
and name of nearest dealer.

MATRIC PHONE: 814 432-3647
BOX 185A • FRANKLIN, PA. 16323

If DenTron had been there, Ben's SWR would have been 1:1.

The initiative and inventiveness of Ben Franklin is still alive in America today at Dentron Radio.

Pictured here Ben uses a Dentron Doublet fed with 470ohm balanced line to our world famous SuperTuner. The SuperTuner and Doublet, as well as all Dentron products are made in the USA by American craftsmen.

Dentron
Super Tuner
\$129.50 post paid in USA
From Dentron Radio or your favorite dealer

Dentron
All Band Doublet
\$24.50 post paid in USA



HELP WANTED NOW!

We need Customer Service Manager, Advertising, Sales, Production and Manufacturing Personnel. Contact Jerry Flatt.

WILSON ELECTRONICS CORP.

4288 S. Polaris Ave. Las Vegas, Nev. 89103
702-739-1931

BUILD YOUR OWN TV CAMERA!

Ideal for home & business



GREAT FOR AMATEUR TV, INDUSTRIAL SURVEILLANCE, HOME ENTERTAINMENT & MONITORING. PLUS HUNDREDS OF OTHER USES. MODEL KIT A SERIES D KIT \$185. FACTORY ASSEMBLED \$265. SOLID STATE. CONNECTS TO ANY TV SET. OPTIONAL SOUND KIT \$28.95. PHONE OR WRITE FOR FREE CATALOG. DIAL 302-847-3174.

1301 BROADWAY N.W. ATV Research DANVILLE (VT) NEBR 02731

HAM HEADQUARTERS BARRY ELECTRONICS

Stocking Distr. for: Bird Wattmeters, Collins, Drake, ICOM, VHF Eng., EBC, Venus, B & W, Millen, Antenna Specialists, Hy-Gain, Mosley, CushCraft, DX Engineering, Savoy, Ten-Tec, Tri-Ex, Vibroplex —

THOUSANDS OF TUBES & SOCKETS IN STOCK

Fair Dealing since 1938! Write for best deals! Export inquiries expertly handled.

Hours: Mon.-Fri. 9:00-6:00, Sat. 10:00-5:00

Barry Electronics

512 BROADWAY, NY, NY 10012
212-925-7000

Let's Make A Date At Dayton



**We Want You To See MOCO II,
The Morse Code Translator That Really Works**

- Decodes up to 90 WPM
- One switch calibration
- Automatic character spacing
- Parallel ASCII and Baudot outputs for use with peripheral displays
- Internal AC power supply

MOCO II's computer programmed firmware contains more than 8K bits of memory, which permits MOCO II to translate standard alpha-numeric Morse Code automatically.

MOCO II is the commercial translator that really works. See for yourself at Dayton, April 23-25.

PRICE: \$199.00

Order from Howard Microsystems, Inc.

6950 France Avenue South, Minneapolis, MN 55435 (612) 925-2474

DISPLAY OPTIONS

A. Baudot Driver/Interface for TTY	\$75.00
B. Video Character Display—connects with your TV	\$200.00
(Kit	\$125.00)
All orders — add \$2.75 shipping/handling	



HOWARD MICROSYSTEMS, INC.

HAM MART

*Ham Radio's guide to help you find
your local Amateur Radio Dealer*

California

HENRY RADIO

931 N. EUCLID AVE.
ANAHEIM, CA 92801
714-772-9200

The world's largest distributor of
Amateur Radio equipment.

HENRY RADIO CO., INC.

11240 W. OLYMPIC BLVD.
LOS ANGELES, CA 90064
213-477-6701

The world's largest distributor of
Amateur Radio equipment

HAM RADIO OUTLET

999 HOWARD AVENUE
BURLINGAME, CA 94010
415-342-5757

Northern California's largest
new and used ham inventory.

M-TRON

2811 TELEGRAPH AVENUE
OAKLAND, CA 94609
415-763-6262

We service what we sell.

Colorado

C W ELECTRONIC SALES CO.

1401 BLAKE ST.
DENVER, CO 80202
303-573-1386

Rocky Mountain area's complete
ham radio distributor.

Illinois

KLAUS RADIO, INC.

8400 NORTH PIONEER PARKWAY
PEORIA, IL 61614
309-691-4840

Let us quote your Amateur needs.

SPECTRONICS, INC.

1009 GARFIELD STREET
OAK PARK, IL 60304
312-848-6778
Chicagoland's Amateur Radio
leader.

Indiana

HOOSIER ELECTRONICS

P. O. BOX 2001
TERRE HAUTE, IN 47802
812-238-1456

Ham Headquarters of the Midwest.
Store in Meadow Shopping Center.

Kansas

ASSOCIATED RADIO

8012 CONSER P.O.B. 4327
OVERLAND PARK, KS 66204
913-381-5901

Amateur Radio's Top Dealer.
Buy — Sell — Trade.

Massachusetts

TUFTS RADIO ELECTRONICS

386 MAIN STREET
MEDFORD, MA 02155
617-395-8280

New England's friendliest
ham store.

Michigan

AUDIOLAND

36633 SOUTH GRATIOT
MT. CLEMENS, MI 48043
313-791-1400

All major brands, new/used
equipment & accessories.

ELECTRONIC DISTRIBUTORS

1960 PECK STREET
MUSKEGON, MI 49441
616-726-3196

Communication specialists
for over 37 years.

PURCHASE RADIO SUPPLY

327 E. HOOVER
ANN ARBOR, MI 48104
313-668-8696 or 668-8262

We still sell Ham parts!

RADIO SUPPLY & ENGINEERING

1203 WEST 14 MILE ROAD
CLAWSON, MI 48017
313-435-5660
10001 Chalmers, Detroit, MI
48213, 313-371-9050.

Minnesota

ELECTRONIC CENTER, INC.

127 THIRD AVENUE NORTH
MINNEAPOLIS, MN 55401
612-338-5881

ECI is still your best buy.

Missouri

HAM RADIO CENTER, INC.

8342 OLIVE BLVD.
P. O. BOX 28271
ST. LOUIS, MO 63132
800-325-3636

Call toll free.

New Jersey

ATKINSON & SMITH, INC.

17 LEWIS ST.
EATONTOWN, NJ 07724
201-542-2447

Ham supplies since "55".

New York

ADIRONDACK RADIO SUPPLY, INC.

185 W. MAIN STREET
AMSTERDAM, NY 12010
518-842-8350

Yaesu dealer for the Northeast.

CFP COMMUNICATIONS

211 NORTH MAIN STREET
HORSEHEADS, NY 14845
607-739-0187

Jim Beckett, WA2KTJ, Manager
Dave Flinn, W2CFP, Owner

HARRISON

"HAM HEADQUARTERS, USA"
ROUTE 110 & SMITH STREET
FARMINGDALE, L. I., N. Y. 11735
516-293-7990

Since 1925 . . . Service, Satisfaction,
Savings. Try Us!

Ohio

UNIVERSAL SERVICE

114 N. THIRD STREET
COLUMBUS, OH 43215
614-221-2335

Give U.S. a try when ready to buy.

Oklahoma

RADIO STORE, INC.

2102 SOUTHWEST 59th ST.
(AT 59th & S. PENNSYLVANIA)
OKLAHOMA CITY, OK 73119
405-682-2929

New and used equipment —
parts and supply.

Oregon

OREGON HAM SALES

409 WEST FIRST AVENUE
ALBANY, OR 97321
503-926-4591

Yaesu dealer for the Northwest.

Pennsylvania

ARTCO ELECTRONICS

302 WYOMING AVE.
KINGSTON, PA 18704
717-288-8585

The largest variety of crystals
in N. E. Penn.

Dealers - You should be here too! Contact Ham Radio today for complete details.

HAM MART

ELECTRONIC EXCHANGE
136 N. MAIN STREET
SOUDERTON, PA 18964
215-723-1200
New & Used Amateur Radio
sales and service.

"HAM" BUERGER, INC.
68 N. YORK ROAD
WILLOW GROVE, PA 19090
215-659-5900
Communications specialists.
Sales and service.

HAMTRONICS, INC.
4033 BROWNSVILLE ROAD
TREVOSE, PA 19047
215-357-1400
Same location for 25 years.

South Dakota

BURGHARDT AMATEUR CENTER
124 FIRST AVE. N.W. P.O. BOX 73
WATERTOWN, SD 57201
605-886-7314
America's most reliable Amateur
Radio Dealer — Nationwide!

Texas

ALTEC COMMUNICATIONS
1800 S. GREEN STREET
LONGVIEW, TX 75601
214-757-2831
Specializing in ham equipment for
the Ark-La-Tex.

Virginia

ARCADE ELECTRONICS
7048 COLUMBIA PIKE
ANNANDALE, VA 22003
703-256-4610

Washington

AMATEUR RADIO SUPPLY CO.
6213 13TH AVE. SO.
SEATTLE, WA 98108
206-767-3222
Amateur center of the
Northwest.

COMMUNICATIONS SPECIALISTS FOR OVER 37 YEARS



Chuck — W8UCG, invites you to come in and see and
OPERATE the latest in ham gear including:

Collins, Drake, Kenwood, Ten-Tec, Atlas, Swan, Tempo, Hallicrafters,
Regency, Icom, Standard, Sonar, Midland, ETO, Dentron, CDE, Venus,
Millen, B & W, Nye, RCA, Ameco, and most all others. ANTENNAS by:
Hy-Gain, Mosley, Telrex, KLM, Newtronics, Swan, Cushcraft, Larsen,
A/S, Slinky, Savoy. TOWERS by: Universal, Heights, Spaulding, Rohn,
Tri-Ex, Tristao, E-Z Way.

NEW
USED

BANK CARDS
AMERICAN EXPRESS
GECC REVOLVING CREDIT
SWAN REVOLVING CREDIT
HOURS: 8:30-5:30 — SAT. 9:00-4:00

TERMS
TRADES

ELECTRONIC DISTRIBUTORS, Inc.

1960 PECK ST., MUSKEGON, MICH. 49441
TEL. (616) 726-3196 TELEX 22-8411

You Can't Beat The System! The SPEC COMM 2M FM Modular System



SC512 W/BP-1

- **UNIQUE "SNAP-PACK" MODULAR SYSTEM** permits 1 Transceiver to function as 3 — without **COMPROMISE!**
- **IT'S A FULL 5 WATT PORTABLE** — with the BP-1 Portable Pkg. The plug-in H.D. NICAD Battery "Snap-Pack" has **3X THE CAPACITY** of the usual "penlite" cells — for 8 hrs. typ. operation per charge.
- **IT'S A 25 WATT MOBILE** — with the BA-1 25 Wt. Amp. "Snap-Pack". (Or a 5 Wt. mobile without BA-1.)
- **IT'S A HIGH PERFORMANCE FIXED STATION** — with the AC-1 AC Supply "Snap-Pack".
- Exclusive, "State of the Art" **HOT CARRIER DIODE MIXER** — Virtually **Eliminates Intermods!** Sensitivity & Selectivity are excellent.
- **MADE IN USA** — finest quality throughout. (See what our customers say about quality and performance — Nov/Dec 73 Mag. p. 126.)



Modules Snap On or Off
in seconds.

SC512 - 12 CHAN.
SC560 - 6 CHAN.

**100% Moneyback
Guarantee**
100 Day Warranty

See us at Dayton!

Write for information on our High Performance **REPEATER RCVR. & XMTR. BOARDS.**

Send for Data Sheet on SC512/560 Transceivers & Accessories.

Available through Dealers — Or Factory Direct.

DEALER INQUIRIES INVITED.

SPECTRUM COMMUNICATIONS

Box 140 HR - WORCESTER, PA 19490 (215) 584-6469

**PALMER INDUSTRIES
INTRODUCES
THE**

**52'
TRISTAO
SUPER
MINI-MAST**

Featuring an exclusive three-section, crank-up, self-supporting 52' mast with automatic brake winch. Constructed of high-strength steel tubing, designed to handle 9 to 10 sq. ft. of antenna and withstand winds of 50 to 60 MPH.

Only TRISTAO'S Mini-Mast features as an exclusive option, a rotor base assembly allowing rotor to be mounted at ground level for easy maintenance.

We offer a complete assortment of accessory bases and raising fixtures for the Mini-Mast.

**NORMALLY STOCKED
FOR IMMEDIATE
SHIPMENT**

40' MODEL ALSO IN STOCK

Call or write for FREE catalog and price list

**TRISTAO TOWER
DIVISION**

Palmer Industries, Inc.
Dept. HR
415 E. 5th Street
P. O. Box 115
Hanford, CA 93230
(209) 582-9016

CFP COMMUNICATIONS ...

welcomes you to the following Hamfests:

- April 3 — Tompkins County Radio Club Auction, Ithaca, N. Y.
- April 10 — Southern Tier Hamfest, Johnson City, N. Y.
- April 23-25 Dayton Hamvention, Dayton Ohio
- May 22 — Western New York Hamfest, Rochester, N. Y.

Look for our display and/or the CFP "Minnie Winnie" (except Dayton — We're "just visitin'" there this year.)

See us for all your Amateur Radio needs.

SASE will get our list of used Amateur Equipment. NEW - See us at same location for CUSTOM MOLDED PLASTIC SIGNS.

CFP COMMUNICATIONS

DIV. OF CFP ENTERPRISES

211 NORTH MAIN STREET
HORSEHEADS, NEW YORK 14845
PHONE: 607-739-0187

Regular Store Hours:
Tues.-Fri. 1:00-6:00 p.m.
Sat. 10:00-2:00 p.m.
Closed Sun. & Mon.
Other times by Appt.



WOW! QUALITY 2 M. XMITTER



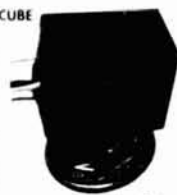
- 2 Channel Operation
- Frequency Range 144-148 MHz
- 1 Watt Min.-2 watts typ.-Power Out.-@ 12.5vdc
- 50 Ohm RF Output Impedance
- 8X Multiplication Factor
- Narrow Band FM ± 5 KHZ
- Rugged Balanced Emitter Output Transistor
- Size 3 3/4" L x 1 7/8" W x 1" H
- Tested & Fully Assembled (Less xtals)
- \$32.95 price includes all postage fees

ELPROCON

DEPT. DS • 1907 W. CAMPBELL
PHOENIX, ARIZONA 85015

**SUB-AUDIBLE GENERATOR
for FM**

THE CUBE



.5 x .6 x .8 in.

- Inexpensive multi tone system
- Compatible with PL-CG-QC
- Low distortion sine-wave
- Adjustable frequency (98-250 Hz), Lower available
- Rugged, plastic encased with leads, easy to mount
- Input 8-18 VDC unregulated
- Excellent stability

Lyle Products
P.O. Box 2083
Santa Clara Calif.
95051

Price \$19.95

Calif. res. add 6%

Freq. set at factory \$5.00 extra

Send for more information

SST T-1 RANDOM WIRE ANTENNA TUNER



All band operation (160-10 meters) with most any random length wire. 200 watt power capability. Ideal for portable or home operation. A must for Field Day. Size: 2 x 4 1/2 x 2 3/8. Built-in neon tune-up indicator. Guaranteed for 90 days. Compact - easy to use - only \$29.95 postpaid (Add Sales Tax in Calif.)

SST ELECTRONICS, P.O. BOX 1, LAWDALE, CA. 90260

**VHF/UHF CONVERTERS
PREAMPS**

Ten meters through 432 MHz. A post card will bring our full 1976 Catalog.



JANEL laboratories
260 NW POLK AVE.
CORVALLIS, OREGON 97330
Telephone: 503-757-1134

ANTENNA SUPERMARKET - PO Box 338, Dept. H, Chambersburg, PA 17201

DIPOLES AND WIRE ANTENNAS, complete with 100' Mil. Spec. Coax, Balun, Connector, 100' Rope, Copper Ant. Wire, Insulators:

80/40/15 parallel dipole	\$36.95	160 short, 130' length	\$36.95
40/20/15 parallel dipole	\$30.95	80 short, 63' length	\$31.95
80/40 trap dipole	\$41.95	40 short, 33' length	\$28.95
40/20 trap dipole	\$36.95	Single band models from	\$24.95

VERTICALS — complete with Universal Mounting Base, Folds to 5' for Easy Transport. Hvy Duty Aluminum Tubing.

20/15 trap, 13' hgt.	\$29.95	160 compact 23' hgt.	\$44.95
40/20/15 trap 22' hgt.	\$44.95	80 compact 20' hgt.	\$39.95
80/40/20 trap 30' hgt.	\$69.95	40 compact 15' hgt.	\$34.95
80/40/15 trap 20' hgt.	\$59.95	20/15/10 full size vertical	\$29.95
10 meter cov. for above add	\$9.95		

**NEW
Apartment/Portable**
Apt. roof or patio, camper, trailer, motor home. All bands 80-10, folds to 5' easily. 13' height.
80-40-20-15-10 \$49.95

TO ORDER — Include \$1.95 shipping (\$2.95 West Coast)
24 hour shipment. 30 day guarantee.
For Info: SASE or 1st Class Stamp.





**the indispensable BIRD 43
thurline wattmeter**

Read RF Watts Directly.
0.45-2300 MHz, 1-10,000 watts $\pm 5\%$, Low
Insertion VSWR — 1.05.
Unequaled economy and flexibility: Buy
only the element(s) covering your present
frequency and power needs, add extra
ranges later if your requirements expand.

AUTHORIZED

**BIRD DISTRIBUTOR
WEBSTER COMMUNICATIONS**

115 BELLARMINE
ROCHESTER, MICHIGAN 48063
(313) 375-0420

**VANGUARD NOW HAS THE WORLD'S LARGEST SELECTION OF
FREQUENCY SYNTHESIZERS FROM \$139.95**

*You'll never
have to buy Crystals
again!*



SEND NO MONEY.
WE SHIP C.O.D.
ORDER BY PHONE
AND SAVE TIME.

*We ship open account only to U.S. and
Canadian government agencies, univer-
sities and selected AAA rated corpora-
tions.*

AVAILABLE FOR
AIRCRAFT, FIRE, POLICE
AND AMATEUR FREQUENCIES

Check these features:

- Smallest size of any commercially available synthesizer — only 1-3/8" x 3-3/4" x 7".
- Excellent spectral purity since no mixers are used.
- .0005% (5 parts per million) accuracy over the temperature range of -10 to +60 C.
- Immune from supply line voltage fluctuations when operated from 11 to 16 volts D.C.
- Up to 8000 channels available from one unit. Frequency selected with thumbwheel switches.
- Available from 5 MHz to 169.995 MHz with up to 40 MHz tuning range and a choice of 1, 5 or 10 kHz increments (subject to certain restrictions depending on the frequency band selected).
- Top quality components used throughout and all ICs mounted in sockets for easy servicing.
- All synthesizers are supplied with connecting hardware and impedance converters or buffers that plug into your crystal socket.

Vanguard frequency synthesizers are custom programmed to your requirements in 1 day from stock units starting as low as \$139.95 for receive and transmit synthesizers. Add \$20.00 for any synthesizer for 5 kHz steps instead of 10 kHz steps and add \$10.00 for any tuning range over 10MHz. Maximum tuning range available is 40 MHz but cannot be programmed over 159.995 MHz on transmit or 169.995 MHz on receive (except on special orders) unless the i-f is greater than 10.7 MHz and uses low side injection. Tuning range in all cases must be in decades starting with 0 (i.e. — 140.000 — 149.995 etc.). The output frequency can be matched to any crystal formula. Just give us the crystal formula (available from your instruction manual) and we'll do the rest. We may require a deposit for odd-ball formulas. On pick-up orders please call first so we can have your unit ready.

VANGUARD LABS

Call 212-468-2720 between 9:00 am and 4:00 pm
Monday through Friday
196-23 JAMAICA AVE. HOLLIS, N. Y. 11423



MODEL ZM-1KW
19.⁹⁵ POST PAID

[California +6% Sales Tax]

Dealer
Inquiries
Invited

59⁺

five nine plus introduces the
MATCHMAKER

- Matches 50Ω Coax to Low Z Mobile Antennas 3.5-22 MHz
- Broadband 1.5:1 maximum S.W.R. on all Bands [typically 1.1:1 at Resonance]
- No Taps to Change
- Eliminates Need for Separate Matching Network for each Band
- 1 KW Rating
- Eliminates Warped Tank Coils
- Weatherproof case

Order the Matchmaker &
other antenna products for the Amateur from
FIVE NINE PLUS
3402 Campus Avenue / Claremont, CA 91711
[714] 621-1658

**NEW
from
NRI**

**Home
training in
AMATEUR
RADIO**

NRI, leader in Communications, Television, Electronics and TV-Radio home training, now offers the first in Amateur Radio courses, designed to prepare you for the FCC Amateur License you want or need.

Don't lose your favorite frequency

The FCC has said "either-or" on licensing, but to pass Advanced and Extra Class exams, you need the technical guidance as offered by NRI. NRI Advanced Amateur Radio is for the ham who already has a General, Conditional or Tech Class ticket. Basic Amateur Radio is for the beginner and includes transmitter, 3-band receiver, code practice equipment. Three training plans offered. Get all the facts. Mail coupon. No obligation. No salesman will call on you. NATIONAL RADIO INSTITUTE, Washington, D.C. 20016.



..... **MAIL NOW**

NATIONAL RADIO INSTITUTE 46-016
Washington, D.C. 20016

Please send me information on Amateur Radio training.

Name _____ Age _____

Address _____

City _____ State _____ Zip _____

ACCREDITED MEMBER NATIONAL HOME STUDY COUNCIL

The Grabbers!

6-DIGIT COUNTERS!

6-Digit Kit
\$ 69.⁹⁵
(30mHz)



6-Digit Kit
\$ 119.⁹⁵
(250mHz)

We have a whole wonderful line of unbelievable counters starting at \$45.95! All counters are also available factory wired and tested. Drop us a line or give us a call today.

Hufco ... P.O. Box 357, Dept. 22, Provo, Ut. 84601... (801) 375-8566

DuPage FM

WILL NOT BE UNDERSOLD!

APRIL (No Fooling) SPECIALS

We were able to obtain a very good price on these goodies so are passing the savings along to you.



GENERAL ELECTRIC TRANSISTORIZED PROGRESS LINE (commonly called TPL)

- All transistor receiver
- All transistor exciter
- Transistor power supply
- Trunk mount for easy installation

HIGH BAND TPLs:

Model RE53JC6 Thirty watts output in the 152 to 172 MHz frequency range. Two frequency transmit and receive. Less mike, but cables, relay, speaker and control head included. Regularly \$225.00 but for April only \$125.00 each!

SIX METER BAND TPLs:

Model RE73JB3 One hundred watts out in the 42 to 50 MHz band segment. Two frequency transmitter, single frequency receiver makes these ideal for six meter repeater useage. Have built-in NOISE BLANKER to eliminate ignition and other odd noises. Less mike, but cables, relay, speaker and control head included. Regularly \$335.00; April Special Price \$225.00 each!



RCA SUPERCARFONES

for TWO METER USAGE (148 to 174 MHz)

- Transistor receiver and exciter
- Standby battery drain only 200 mA
- NO CONVERSION NEEDED FOR USE ON TWO METER AMATEUR BAND. Receiver sensitivity factory rated at .35 microvolts for 12 dB SINAD; accessories included. Regularly \$275.00; April only \$175.00 each.

QUANTITIES ARE LIMITED — PLEASE SPECIFY A SECOND CHOICE

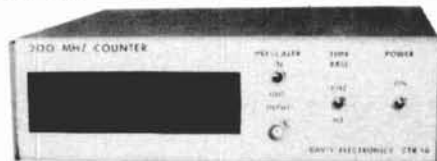
ORDERS MUST BE RECEIVED BEFORE APRIL 30, 1976

DuPAGE FM INC.

P.O. Box 1, Lombard, Ill. 60148
(312) 627-3540

Terms: All items are sold as is. If not as represented return for exchange within 5 days of receipt, shipping charges prepaid. All items shipped freight collect. Ill. residents must add 5% sales tax. Accessories do not include antennas, relays, crystals or reeds.

NEW 600 MHz COUNTER — \$219.95



25 MHz Basic Counter becomes either a 200 MHz or a 600 MHz Frequency Counter with built-in prescalers.

These complete kits include all parts, drilled & plated PC Boards, cabinet, switches, hardware and a complete instruction manual.

- 8 Digit LED Display
- Resolution to 0.1 Hz
- Crystal controlled time base
- Selectable gate times
- Input Z: 1 megohm (25 MHz)
- 50 ohms (200 MHz)
- 50 ohms (600 MHz)
- Sensitivity: 50 mV (25 MHz)
- 150 mV (200 MHz)
- 200 mV (600 MHz)

25 MHz Complete Kit \$149.95; 200 MHz Complete Kit \$169.95; 600 MHz Complete Kit \$219.95 Also, 500 MHz Prescaler, Model PS-2A Assembled & Tested \$99.95

Call or Write for Details on these Products. Add \$2.00 shipping/Handling in U.S.A.

DAVIS ELECTRONICS 636 SHERIDAN DRIVE TONAWANDA, N. Y. 14150
716/874-5848



SSB & CW FILTERS

Loaded with features such as 100 Hz CW filters, 1500 Hz SSB filters, & 3W AF Amp. Filter plugs into RCRV phone jack & SPKR plugs into filter.

DE-102A SSB Filter \$51.95
DE-103A CW & SSB \$59.95
DE-104 CW Filter \$49.95
Other filters are available.

Dealer Inquiries Invited



**10 DB
SPEECH COMPRESSOR**

Increase your talk PWR 10 times with our NEW DE-120 linear speech compressor. \$59.95



NEW REG PWR SUPPLIES

DE-112 gives 13.6V @ 1A \$24.95, 3A \$32.95. DE-110 gives ±15V @ 100 ma, & 5V @ 1A \$59.95.


DE-8010 antenna covers 80-10 meters. Complete with 100' lead in & balun. \$79.95
¼ & ½ W 5% RESISTORS 4¢ ea. + 50¢ shipping.

SPECIAL SPRING SALE

Take 20% off the prices in this ad and our brochures for orders postmarked between March 15 and May 1, 1976. Add \$2 for shipping.

HAM CLUB DISCOUNTS

Dynamic Electronics, Inc. P. O. Box 896 Hartselle, AL 35640



MAKE PROFESSIONAL LOOKING PC BOARDS FAST AND EASY

• SENSATIONAL • REVOLUTIONARY • FANTASTIC

STAMP-IT ETCH-IT

Reduces Printed Circuit Board A1 Work From 2 Hours to 10 Min.

Simple as A.B.C.

A. Stamp Components on P.C. Board B. Use Pen to Interconnect Lines C. Etch Board

<p>SE-2 KIT CONTAINS</p> <ul style="list-style-type: none"> CONNECTOR TAPE 10 PIN DUAL IN LINE IC SOCKET 10 PIN ROUND IC SOCKET 4 PIN ROUND IC SOCKET 10 IC TRANSISTOR SOCKET 10 IC TRANSISTOR SOCKET LEADS & SMALL COMPONENTS RESISTORS PLUS: 100 PAGES READY FILE 	<p>ADDITIONAL STAMPS</p> <p>From \$2.99 each to \$19.99 each</p> <ul style="list-style-type: none"> 1. 10 PIN ROUND IC SOCKET 2. 10 PIN DUAL IN LINE IC SOCKET 3. 4 PIN ROUND IC SOCKET 4. 10 PIN ROUND IC SOCKET
---	--

\$9.95 PLUS 75¢ Postage & Handling

M-TECH ENGINEERING, INC.
BOX C
SPRINGFIELD, VIRGINIA 22151
703/354-0573

125 Hz Crystal Filter For Drake R-4C

Cuts QRM. Ideal for DX and Contest Work
Does what no audio filter can do
A must for CW operators who want the best
125 Hz @ -6 db, 325 Hz @ -60 db, 8 poles
Sherwood Engineering CF-125/8 \$125.00
1268 South Ogden St. Return in 10 days
Denver, Colo. 80210 for full refund
(303) 722-2257 if not satisfied.

ECONOVOLT 5 VOLT 1.2 AMP REG. POWER SUPPLY KIT \$25

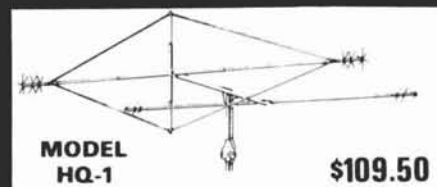
Fixed voltage for TTL & MOS
Distinctive woodgrain case
Transformer isolation & fused
Thermal overload protection
Line & load reg 1s. Ripple 0.02%

M-S1K kit & instructions \$25.00
M-S1 asmbld. & tested...\$35.00

10 day return priv. Add \$1.50 shipng. Pa res add 6% tax
EXECUTIVE ELECTRONICS, Box 335, Lansdowne, PA 19050

WANT SOMETHING REALLY SMALL AND EFFICIENT?

Then you want the antenna that's known around the world for its small size and superior performance...
The Mini Products Multiband HYBRID QUAD



MODEL HQ-1 \$109.50

- ELEMENT LENGTH - 11 ft.
- BOOM LENGTH - 54 INCHES
- WEIGHT - 15 POUNDS
- WIND SURVIVAL - 75 MPH
- BANDS COVERED - 6, 10, 15 & 20
- 1200 WATTS P.E.P.
- FEED LINE - 50 OHMS

If not stocked by your dealer order direct. We pay shipping in USA. Send for free catalog of other models and more data.

Mini-Products, Inc.

1001 W. 18th St. Erie, Pa. 16502

TIRED OF CRANKING?



\$195

MOTORIZE YOUR TOWER WITH OUR ELECTRIC HOIST/WINCH

- EASILY INSTALLED
- STURDY-RELIABLE
- 1/2-TON LOAD HANDLING CAPACITY

TOWTEC CORP. Dept. H-3
118 ROSEDALE RD.
YONKERS, NY 10710
Tel. (914) 779-4142

Put your best fist forward.

To be one of the best fists on the air, all you need is a little practice and the HAL 2550 Keyer and its precision-built companion, the FYO Key.

The 2550 features a triggered clock pulse generator, sidetone monitor, iambic keying and dot memory. There's an optional tailor-made ID too.

Many amateurs remember the famous



HAL Communications Corp., Box 365, 807 E. Green Street
Urbana, Illinois 61801 • Telephone: (217) 367-7373

FYO Key, a key infinitely adjustable to every fist. Now it's back again, better than ever, and available only from HAL. The 2550 Keyer and the FYO Key make a great combination. So to put your best fist forward, send today for a detailed brochure on these two great products.

IF YOU DON'T HAVE OUR CATALOG YET, SEND SASE!

PREAMP, FM RCVR & XMTR KITS, CUSHCRAFT & LARSEN ANTENNAS, STANDARD XCVRS.

FAST MAIL & PHONE SERVICE

hamtronics, inc.

182 BELMONT RD., ROCHESTER, NY 14612

MILITARY SURPLUS WANTED

Space buys more and pays more. Highest prices ever on U.S. Military surplus, especially on Collins equipment or parts. We pay freight. Call collect now for our high offer. 201 440-8787.

SPACE ELECTRONICS CO.

div. of Military Electronics Corp.

35 Ruta Court, S. Hackensack, N.J. 07606

Webster
radio

Write today for brochure on:

CTC UHF/VHF

HIGH POWER

TRANSISTORS

Everything from Set to Signal!
2602 E. Ashlan, Dept. H
Fresno, Calif. 93726
(209) 224-5111

GROTH-Type

COUNTS & DISPLAYS
YOUR TURNS

• 99.99 Turns

• One Hole

Panel Mount

• Handy Logging Area

• Spinner Handle Available

Case: 2x4"; shaft 1/8"x3"

PRICES

TC 2 - \$8.00

TC 3 - \$8.75

Spinner (\$5) - \$1.00

Add \$0.75 for Air or UPS

Model TC2: Skirt 2-1/8";

Knob 1-5/8"

Model TC3: Skirt 3";

Knob 2-3/8"

R. H. BAUMAN SALES

P.O. Box 122, Itasca, Ill. 60143

ALDELCO SEMI-CONDUCTOR SUPERMARKET

RF DEVICES

2N3375 3W 400 MHz.....	5.50	2N6080 4W 175 MHz.....	5.40
2N3866 1W 400 MHz.....	.99	2N6081 15W 175 MHz.....	8.45
2N4041 1W 400 MHz.....	5.25	2N6082 25W 175 MHz.....	10.95
2N5590 10W 175 MHz.....	7.80	2N6083 30W 175 MHz.....	12.30
2N5591 25W 175 MHz.....	10.95	2N6084 40W 175 MHz.....	16.30

HEAVY DUTY RECTIFIERS

200 Volt 100 Amp D08.....	5.50
200 Volt 250 Amp D09.....	8.50
400 Volt 2 Amp Silicon Rectifier RCA.....	15 for .99
1000 Volt 2 Amp Silicon Rectifier RCA.....	10 for .99
10,000 Volt Silicon Rectifier Erie.....	2.95

SILICON TUBE REPLACEMENTS

1N2637 Replaces 866, 866A, 3B28.....	9.80
1N2389 Replaces 5U4, 5Y3, 5W4.....	5.25
S872 Replaces 872.....	28.50

Send stamp for complete replacement list

STUD RECTIFIERS

50 Volt 40 Amp.....	.99	2 AMP EPOXY BRIDGE RECT.	
100 Volt 40 Amp.....	1.39	100 Volt.....	.25
200 Volt 40 Amp.....	1.59	200 Volt.....	.35
400 Volt 40 Amp.....	1.79	400 Volt.....	.45
		600 Volt.....	.55

ZENERS

1N746 to 1N759 400 Mw ea. 25.....	1N4728 to 1N4764 1 w.....	.35
10 assorted zener diodes unmarked.....		1.98

2N2222 or 2N2907.....	10/.99	TTL's	
2N3055.....	90	7400.....	20 7475.....80
2N3713.....	45	7401.....	20 7490.....80
2N2926 NPN.....	10/.99	7403.....	20 7492.....80
2N3904 or 2N3906.....	10/.99	7404.....	25 74121.....60
2N5496 or 2N6108.....	35	7405.....	25 74123.....1.10
FT0601 FET.....	99	7406.....	45 74162.....1.25
2N3819 FET.....	35	7407.....	45 74165.....2.00
741 or 709 14 Pin DIP.....	25	7411.....	30 74166.....1.75
555 Timer.....	75	7413.....	85 74177.....1.35
556 (Dual 555).....	1.75	7430.....	20 74181.....3.90
200 Volt 25 Amp Bridge.....	49	7437.....	50 74192.....1.50
1N914 1N4148.....	10 for .99	7442.....	1.10 74193.....1.45
1N34 1N60 1N64.....	10 for .99	we have others	

We quote on any device at any quantity. All items postpaid. \$5.00 min. order. Send stamp for catalog. NYS add tax.

ALDELCO

P.O. Box 341H, Lynbrook NY 11563

TEST EQUIPMENT

All equipment listed is operational and unconditionally guaranteed. Money back if not satisfied—equipment being returned must be shipped prepaid. Include check or money order with order. Prices include UPS or motor freight charges.

BALL Via TV spec. effects gen.....	\$425
BECKMAN 7570A Counter Freq conv	
10-1000mHz.....	275
BOONTON 91C RF VTVM to 600mHz.....	115
BOONTON 190A Q-mtr 30-200mHz.....	325
BOONTON 202B AM-FM sig gen	
54-216mHz.....	275
DEI TDU-2 30mHz video display.....	45
GR546C Audio microvoluter.....	65
GR821A Twin-T imp bridge to 40mHz.....	165
GR1302A Audio Osc .01-100kHz.....	75
HP185A Scope-sampling to 1 GHz 186B	
Xstr rise-time vert. plug-in.....	335
HP205AG Audio Gen. .02-20kHz,	
input and output meters.....	175
HP211A Sq wave gen. .07-10us, width.....	35
HP430C Microwave Pwr. mtr.....	35
HP430CR Rack mt. version Hp430C.....	35
HP540B Transfer Osc. to 12.4gHz.....	115
HP571B-561B Digital clock/rcdr.....	295
HP608D (TS510) Std sig gen 10-420mHz	
calib. afn.....	395
HP803A VHF Ant. bridge 50-500mHz.....	95
HP1750A Vert. amp. for HP175 50mHz.....	125
MEAS. 80 Std Sig Gen 2-400mHz.....	225
PRD 907 Sweep Gen 40-900mHz.....	95
SINGER SSB4 Sideband spec anal	
0-40mHz, res. to 10Hz.....	685
TEK 181 Time mark scope calib.....	45
TEK 565 Dual beam 10mHz scope	
less plug-ins.....	525
TS 497B Mil vers Meas 80 Sig gen.....	185
TS 505 Std VTVM RF to 500mHz.....	65

For complete list of all test equipment send stamped, self-addressed envelope

GRAY Electronics

P.O. Box 941, Monroe, Mich. 48161
Specializing in used test equipment.

Dependability THAT'S WHAT YOU GET FROM SENTRY CRYSTALS.

Because Sentry communication crystals are the most stable, reliable crystals available. Anywhere. At any price.

Sentry crystals are made to the latest state-of-the-art specifications from the finest quartz. And they're gold-plated for long-term reliability.

Since Sentry has the largest semi-processed crystal bank in the world, we can custom-make crystals for any rig. Any frequency. Faster than anyone else in the business.

We process our orders quickly and efficiently, too. And we stand behind our work. With solid guarantees.

Maybe that's why people who count on communications count on Sentry.

Send for our complete 1976 catalog. It's just \$1.50, deductible from your first order. It may be one of the best communications investments you'll ever make.

Sentry Manufacturing Company
Tuned-In to Quality
Crystal Park, Chickasha, Oklahoma 73018

Sentry



Phone: 405/224-6780
TWX 910-830-6425

Sentry Mfg. Co.
Crystal Park
Chickasha, Okla. 73018

Please send me the complete 1976 Sentry Catalog immediately. Enclosed is a check or money order for \$1.50.

Name _____

Address _____

City _____ State _____ Zip _____

Continental Specialties Proto Boards

FREE DL747 Digital Readout with purchase of every PB-6 or PB-100

PROTO BOARD 6

The PB-6 lets the user test and build circuits without soldering or patch cords; all interconnections between components are made with common #22 AWG hook-up wire. This quality breadboarding kit includes 630 component tie points at less than 2.5c each. It measures 6" long by 4" wide. Designed specially to Breadboard Microprocessor Circuits. **\$15.95**



PROTO BOARD 100

A low cost, big 10 IC capacity breadboard kit with all the quality of QT sockets and the best of the Proto Board series... complete down to the last nut, bolt and screw. Includes 2 QT-35S Sockets; 1 QT-35B Bus Strip; 2 5-way binding posts; 4 rubber feet; screws, nuts, bolts; and easy assembly instructions. **\$19.95**



Postpaid — Continental U.S.A.

HOSFELT ELECTRONICS

224 OPAL BLVD., STEUBENVILLE, OHIO 43925 Phone 614 264-6464

PARTS PANIC!!

Having parts problems such as Minimum Orders, Unanswered Letters, Uninterested Suppliers, Too Much Time at Flea Markets?

Let G. R. Whitehouse & Co., the New Parts Specialists solve your problems.

NOW IN STOCK

Transmitting Variables — Roller Inductors — Counter Dials
Air Wound Coils — Couplings — Knobs — Receiving Variables
Toroids — R.F. Chokes — Coil Forms and more

From

Millen - E. F. Johnson - Barker & Williamson - JW Miller - Hammarlund

Send First Class Stamp for Flyer

G. R. WHITEHOUSE & CO.

10 NEWBURY DRIVE, AMHERST, N. H. 03031

"The Parts Finders"

IRON POWDER TOROIDS

Chart showing uH per 100 turns

CORE SIZE	MIX 2 5-30MHz u=10	MIX 6 10-90MHz u=8.5	MIX 12 60-200MHz u=4	SIZE OD (in.)	PRICE USA \$
T-200	120			2.00	3.25
T-106	135			1.06	1.50
T-80	55			.80	.80
T-68	57	47		.68	.65
T-50	51	40		.50	.55
T-25	34	27	12	.25	.40

Ferrite beads 20-500 MHz \$2.00 Doz.
Wideband chokes 20-500MHz 95¢ Ea.

Specify core size and mix. Pack and ship 50¢ USA & Canada. Air parcel post delivery worldwide \$2.00. 6 percent tax in Calif. Send for free brochure.

PALOMAR ENGINEERS

BOX 455 ESCONDIDO CA 92025

DUPLEXER KITS

PROVEN DESIGN. HUNDREDS SOLD IN US, CANADA, EUROPE. CONSTRUCTION WELDED ALUMINUM IRIDITE & SILVER PLATED. SEE JAN. 74 QST RECENT EQUIPMENT. ALL PARTS PROFESSIONAL QUALITY. EVERYTHING SUPPLIED. NO SPECIAL TOOLS. RECEIVER & TRANSMITTER CAN BE USED FOR TUNE UP.

MOD. 62-1 6 CAVITY 135-165 MHz POWER 250W ISOLATION GREATER THAN 100 dB 600 kHz. INSERTION LOSS .9 dB MIN. TEMP STABLE OVER WIDE RANGE **PRICE \$349.00**

MOD. 42-1 4 CAVITY SAME AS 6 CAVITY EXCEPT ISOLATION GREATER THAN 80 dB 600 kHz INSERTION LOSS .6 dB MAX. **PRICE \$249.00**

NORTH SHORE RF TECHNOLOGY

Exclusive Distributor **TUFTS Radio**
386 MAIN ST., MEDFORD, MA 02155
617-395-8280

THIS IS YOUR BIG CHANCE!

BUY \$50 WORTH; THEN PICK \$50 WORTH FREE!

OTHER ORDERS: \$10+ Orders take 5% Discount; \$30+ Orders take 10% Discount

74S00 Series	74S157 1.95	CD4049 1.25	555H 5.50	5001H 3.85	5081N 14.00	5314N 5.95
74S00 .50	74S200 7.95	CD4050 1.25	571AY/N	5006H 1.95	5100H 4.75	5316N 6.95
74S03 .60	8T20 2.25	74C74 1.10	4.95	5007H 3.00	5104H 5.00	5320N 12.50
74S05 .50		74C85 3.25	582H 6.00	5010AH 3.40	5203Q 20.00	5341N 10.00
74S10 .60	CMOS	74C157 2.10	1101N 2.10	5013N 3.50	5213N 11.00	5342N 10.00
74S15 .50	CD4001 .50	74C162 3.00	1103N 4.00	5016N 2.00	5220N 5.00	5365N 10.00
74S20 .60	CD4002 .50	74C163 3.15	1402N 5.40	5017N 2.95	5221N 5.00	5554N 1.10
74S22 .50	CD4010 .60	74C164 3.50	1403N 5.00	5036N 2.95	5227N 4.50	5555N 4.40
74S40 .75	CD4011 .50	74C192 5.00	1404N 5.00	5040H 1.95	5230N 4.50	5556N 4.50
74S64 .75	CD4012 .50	74C193 5.00	2102N 7.75	5053H 3.00	5232N 9.50	5561N 4.50
74S65 .50	CD4013 1.45	74C195 3.00	2501N 4.50	5054N 4.60	5233N 9.50	5725N 3.95
74S74 1.00	CD4016 1.35	74C195 3.00	2524CN 3.95	5055N 3.80	5240N 4.95	5736N 4.95
74S86 1.75	CD4017 2.75	MM Series	2528N 8.50	5056N 3.80	5260N 3.85	5738N 4.25
74S112 1.95	CD4020 1.50	451H 6.75	2602N 8.00	5057N 3.80	5261N 6.00	4739N 3.95
74S113 1.50	CD4022 2.45	502H 1.95	3505N 5.00	5058N 5.50	5262N 5.50	4741N 4.75
74S151 1.50	CD4025 .50	550H 5.50	3705N 5.00	5060N 4.75	5311N 5.95	5804N 4.75
74S153 2.25	CD4027 1.25	551H 5.50				

WEIRNU

PO Box 942, Colton, CA 92324

1. Add 50¢ for postage & handling on orders under \$10.
2. All items guaranteed.
3. Send SASE for Bargain Flyer.
4. SEND YOUR ORDER ALONG WITH CHECK OR MONEY ORDER TO: WEIRNU, P. O. Box 942, Colton, CA 92324 (Calif. residents include 6% tax).

NOW
is the time to order
YOUR

76 callbook

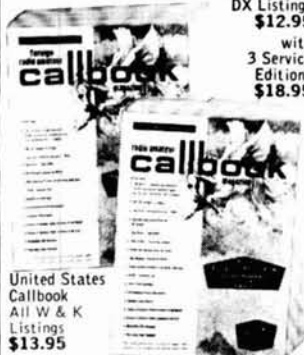
Don't wait until 1976 is half over. Get your new **Callbooks** now and have a full year of the most up-to-date QSL information available anywhere.

The new 1976 U. S. **Callbook** has over 300,000 W & K listings. It has calls, license classes, names and addresses plus the many valuable back-up charts and references you have come to expect from the **Callbook**.

Specialize in DX? Then you're looking for the new, larger than ever 1976 **Foreign Callbook** with over 225,000 calls, names and addresses of amateurs outside of the USA.

On dealer shelves NOW!

Foreign Radio
Amateur Callbook
DX Listings
\$12.95
with
3 Service
Editions
\$18.95



United States
Callbook
All W & K
Listings
\$13.95
with
3 Service
Editions
\$19.95

RADIO AMATEUR
callbook INC

Dept. E 925 Sherwood Drive
Lake Bluff, Ill. 60044

Order from your favorite electronics dealer or direct from the publisher. All direct orders add \$1.00 shipping and handling per Callbook.

Clegg

ECONOMY LINE

VHF FM

HIGHEST PERFORMANCE!
LOWEST PRICES!



The **MARK 3** for 2 Meters
15 WATTS

The **FM-76** for 222 MHz
10 WATTS

These two new Clegg FM Transceivers offer the highest QSO per dollar value for the FM'er. Both are 12 channel, .35 uv sensitivity units with such extras as individual trimmers for netting both transmit & receive xtals.

Either unit only \$189.50 with microphone and 1 set xtals.

Clegg

208 Centerville Road, Lancaster, PA 17603
Toll free sales & services - Phone (800) 233-0250
In Pa. call (717) 299-7221 (collect)

New! The Finest
Communications Filter Available



FOR ALL MODES!

AT LAST! An "infinitely-variable" active audio filter for operators who demand the best reception in all modes. • Adjust its frequency CONTINUOUSLY from 250 to 2500 Hz in all 3 positions. Instantly zero-in on signals or optimize response! • Peak CW, voice, etc. with selectivity variable from a super-narrow 50 Hz to flat! • Reject whistles, CW, etc. with a deep, adjustable-width notch. • Reject SSB, AM, FM hiss and splatter in the sharp-cutoff lowpass position. • Don't confuse the QF-1 with simple designs. It has 80 dB skirts, notch to 70 dB, 8 IC op amps and a 1 watt spkr. amp. No batteries to replace. Just plug into your phone jack! Ready to improve your Yaesu, Collins, Swan, Drake, S/1, Tempo, Atlas, Kenwood, etc.—any rcvr or xcvr made!

Model QF-1 "The Finest" 115 VAC. 5x4x3 1/2". \$52.95

Model QF-2. Basic filter board less pwr. amp., etc. 6 to 30 VDC. Install in rcvr. Instructions \$32.95

SHIPPING: Add \$1.70 in U.S., \$2.70 in Canada. Add 10% outside N. Amer. (Airmailed). 1 yr warranty.

FREE BROCHURE AVAILABLE

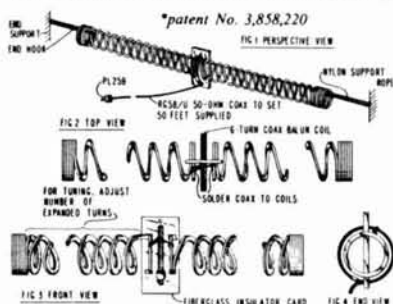
AUTEK RESEARCH

BOX 5390 H. SANTA MONICA, CA 90405

SLINKY!

a lot of antenna
in a little space

NEW Slinky® dipole* with helical loading radiates a good signal at 1/10 wavelength long!



• This electrically small 80/75, 40 & 20 meter antenna operates at any length from 24 to 70 feet • no extra balun or transmatch needed • portable — erects & stores in minutes • small enough to fit in attic or apartment • full legal power • low SWR over complete 80/75, 40 & 20 meter bands • much lower atmospheric noise pickup than a vertical and needs no radials • kit includes a pair of specially made 4-inch dia. by 4-inch long coils, containing 335 feet of radiating conductor, balun, 50 ft. RG58/U coax, PL259 connector, nylon rope & instruction manual • now in use by US Dept. of State, US Army, radio schools, plus thousands of hams the world over.

Money Back Guarantee
when returned within 2 weeks

TELETRON CORP. AVAILABLE AT ALL LEADING DEALERS. IF NOT, ORDER DIRECT

Suite 200
Box 84
Kings Park, N.Y. 11754

Kit # 80-40-20
Cable only (pair of 4" dia. special coils)

\$39.95 postpaid

\$23.95 postpaid

(N. Y. residents add sales tax)

name _____

street _____

town _____ ZIP _____

enclose check with order • we ship UPS upon receipt of order • CDD's \$1 extra

Advertisers check-off

... for literature, in a hurry — we'll rush your name to the companies whose names you "check-off"

Place your check mark in the space between name and number. Ex: Ham Radio 234

INDEX

Ace Art	416	Jan	067
ATV *		Janel	068
Adva	265	K-Enterprises	071
Aldelco	347	KLM	073
Altaj	426	Kensco	394
Antenna Super.	404	Kenwood	341
Apron	380	Klaus	430
Atlas	198	Lyle	373
Atronics	382	MFJ	082
Autek	419	MHz	415
Babylon	014	Madison	431
Barry *		Matric	084
Bauman	017	Maximilian	438
Brown & Simpson	427	Mini Products	395
Budwig	233	M-Tech	357
Bullet	328	National Multi	396
Buyers	329	N. R. I.	397
CFP	022	Northshore RF	296
Circuit Design	182	Nurmi	090
Clegg	027	Palomar	093
Comm. Spec.	330	Partridge	439
Cont. Spec.	348	Poly Paks	096
Corbin	349	Porta-Pak	274
Cush Craft	035	Pruitt	365
D-D	269	QSL	432
Dames	324	R F Comm.	305
Data Signal	270	RP	098
Davis	332	Callbook	100
Hamvention	223	Rainbow	392
Dentron	259	Regency	102
Denver Hamfest	424	Rochester	217
Drake	039	Rohn	410
DuPage FM	287	SST	375
Dynamic	041	Sagal	376
Eastern VHF *		SAROC	146
Ehrhorn	042	Scarpa	433
Elect. Dist.	044	Sentry *	
Electrospace	407	Sherwood	435
ELPROCON	301	Solid State	411
Erickson	047	Southwest Tech.	263
Executive	428	Space	107
Fluke	049	Spec. Comm. Systems	318
59+	429	Spectronics	191
Gem Quad	295	Spec. Comm.	366
Genave	168	Spec. Int.	108
Glade Valley	213	Swan	111
Gray	055	TPL	240
Gregory	201	Teletron *	
Hal	057	Tennelec	436
Hal-Tronix	254	Towtec	320
Ham Radio	150	Tristao	118
Hamtronics	246	VHF	121
Heath	060	Vanguard	120
Henry	062	Varian, Eimac	043
Hickok	402	Webster	
Hosfelt	390	Comm.	423
Howard Micro	361	Webster Radio	255
Hufco	403	Weinschenker	122
Hy-Gain	064	Weirnu	379
Icom	065	Werlatone	367
Info-Tech	351	Whitehouse	378
Int'l Xtal	066	Wilson	123
James	333	Yaesu	127

*Please contact this advertiser directly.
Limit 15 inquiries per request.

April 1976

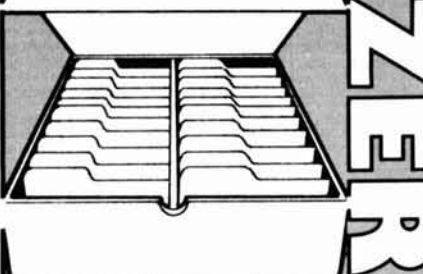
Please use before May 31, 1976

Tear off and mail to
HAM RADIO MAGAZINE — "check off"
Greenville, N. H. 03048

NAME _____
CALL _____
STREET _____
CITY _____
STATE _____ ZIP _____

QSL ORGANIZER

Get your QSL cards out of the shoe box and into an organized file. The QSL Organizer. A sturdy file box measuring a full 13" x 11" x 4" and divided into 16 indexed compartments. Shipped completely assembled.



Fill out coupon and enclose check or money order. (Sorry no C.O.D.). Enclose \$6.00 ea. for U.S., Canada and Mexico. Includes postage and handling. All other foreign orders \$10.00 ea. Total enclosed \$ _____

Mail to: QSL Organizer,
12757 Woodford Way,
Bridgeton, MO 63044

Use your Master Charge* or BankAmericard
Master Charge*
Bank Americard

Account no. _____

Interbank no.* _____

*Find above your name
Good through _____

Print Name _____
Address _____
City _____
State _____ Zip _____

4

Advertisers Index

ATV Research	101
Adva Electronics	96
Aldelco	107
Altaj Electronics	83
Antenna Supermarket	104
Apron	97
Atlas	53
Atronics	74
Autek	109
Babylon	88
Barry	101
Bauman	107
Budwig Mfg. Co.	97
Bullet	75
Buyers & Sellers	101
CFP	104
Circuit Design, Inc., Div. of E & L	67
Clegg, Div. of ISC	109
Communications Specialists	80
Continental Specialties	81
D. R. Corbin Mfg. Co.	97
Cush Craft	71
D-D Enterprises	84, 97
Dames, Ted	89
Data Signal, Inc.	89
Davis Electronics	106
Dayton Hamvention	7, 86
Dentron Radio Co.	76
Denver ARRL Hamfest	56, 77
Drake Co., R. L.	56, 57
DuPage FM	106
Dynamic Electronics	106
Eastern VHF Conference	104
Ehrhorn Technological Operations	33
Electronic Distributors	103
Electrospace	86
ELPROCON	104
Erickson Communications	82
Executive Electronics	106
Five Nine Plus	105
Gem Quad Products	94
General Aviation	111
Glade Valley Radio Session	86
Gray Electronics	107
Gregory Electronics	82
Hal Communications Corp.	2, 97, 107
Hal-Tronix	76
Ham Radio	46, 76, 96
Hamtronics, Inc.	107
Heath Company	Cover II
Henry Radio Stores	108
Hosfelt Electronics	101
Howard Micro Systems, Inc.	105
Hufco	78, 79
Hy-Gain Electronics Corp.	5
Icom	86
Infotech	112
International Crystal Mfg.	87
James Electronics	88
Jan Crystals	104
Janel Labs	99
K-Enterprises	39
KLM Electronics	84
Kensco Communications, Inc.	89
Tri-Kenwood Communications, Inc.	74
Klaus Radio	104
Lyle Products	1
MFJ Enterprises	92
MHz Electronics	80
Madison Electronic Supply	100
Matric	76
Maximilian Assoc.	106
Mini Products	106
M-Tech	106
National Multiplex Corp.	47
National Radio Institute	105
Northshore RF Technology	108
Nurmi Electronic Supply	91, 96, 108
Partridge (HR) Electronics	76
Poly Paks	84, 90
Porta-Pak	98
Pruitt Enterprises	100
QSL Organizer	110
R F Communications	96
RP Electronics	88, 109
Radio Amateur Callbook	84
Rainbow Industries	72
Regency Electronics	99
Rochester Hamfest	73
Rohn	104
SST Electronics	92
Sagal Electronics	95
SAROC	108
Sentry Mfg. Corp.	106
Sherwood Engineering	98
Solid State Modules	92
Southwest Technical Products	107
Space Electronics Corp.	98
Specialty Communications Systems	93
Spectronics	103
Spectrum Communications	80
Spectrum International	29, 77
Swan Electronics	82
TPL Communications	109
Teletron Corp.	107
Towtec Corp.	104
Tristao, Div. of Palmer	85
VHF Engineering, Div. of Brownian	105
Vanguard Labs	Cover IV
Varian, Eimac Division	105
Webster Communications	107
Webster Radio	94
Weinschenker	108
Weirnu	108
G. R. Whitehouse Co.	68, 69, 101
Wilson Electronics	Cover III
Yaesu Musen USA	

HERE ARE THE BUYS FROM GENAVE

GTX-100



**1¼-Meter FM
100 Channel Combinations—12 watts**

Separate controls for independent transmit and receive frequency selection . . . Pre-selected paired frequency lock allows one knob operation . . . Backlighted.

Down from \$199.95 **\$149⁹⁵**
(Incl. 223.5 MHz)

GTX-600



**6-Meter FM
100 Channel Combinations—35 watts**

Separate controls for independent transmit and receive frequency selection . . . Pre-selected paired frequency lock allows one knob operation . . . Rear panel external speaker jack . . . Optional mic gain control and sub-audible tone mod possible.

Down from \$199.95 **\$149⁹⁵**
(Incl. 52.525 MHz)

IN STOCK

NOW . . . GENAVE STOCKS MOST COMMON 2-M CRYSTALS FOR IMMEDIATE DELIVERY

These crystals can be used in most makes that employ the following circuitry:

Transmit:
12 times for use in 32 pf capacitance circuits
Receive:
3 times for 10.7 MHz IF in 32 pf capacitance circuits (low side)



Use This Handy Order Form

4141 Kingman Dr., Indianapolis, IN 46226
(317+546-1111)

MADE IN
US

GTX-200-T

2-meter FM, 100 channel combinations, 30 watts with factory installed tone encoder (Incl. 146.94 MHz)

\$249⁹⁵



GTX-200

2-meter FM, 100 channel combinations, 30 watts (Incl. 146.94 MHz)

\$199⁹⁵



GTX-100

1-¼ meter FM, 100 channel combinations, 12 watts (Incl. 223.5 MHz)

\$149⁹⁵



GTX-10-S

2-meter FM, 10 channels, 10 watts (Xtals not included)

\$139⁹⁵



GTX-2

2-meter FM, 10 channels, 30 watts with pushbutton frequency selector (Incl. 146.94 MHz)

\$189⁹⁵



GTX-600

6-meter FM, 100 channel combinations, 35 watts (Incl. 52.525 MHz)

\$149⁹⁵



GTX-1

2-meter FM, 6-channel, 3.5 watts Hand-Held

\$249⁹⁵
(Bat. not incl.)

GTX-1T

Same as GTX-1, plus Factory Installed Tone Encoder

Operate Auto Patch
\$299⁹⁵
(Bat. not incl.)



Ringo Ranger ARX-2 6 db 2-M Base Antenna @ \$29.95 \$ _____

Lambda/4 2-M and 6-M Trunk Antenna @ \$29.95 \$ _____

TE-I Tone Encoder Pad for plug-in installation on most amateur transceivers @ \$59.95 \$ _____

TE-II Tone Encoder Pad for installation on most Hand-Helds @ \$49.95 \$ _____

PS-1 AC Power Supply for use with all makes of transceivers 14 VDC-6 amps @ \$69.95 \$ _____

and the following standard crystals @ \$4.50 each \$ _____
Non-standard crystals @ \$6.50 each: \$ _____

For factory crystal installation add 8.50 per transceiver.

ACCESSORIES FOR GTX-1 and GTX-1T

PSI-18 Optional Nicad battery pack \$29.95 \$ _____

PS-2 Charger for GTX-1(T) battery pack \$39.95 \$ _____

GLC-1 Leather carrying case \$12.95 \$ _____

TE-III Tone Encoder (for use with GTX-1) \$49.95 \$ _____

NAME _____ AMATEUR CALL _____ Sub-Total: \$ _____

ADDRESS _____ CITY _____ STATE & ZIP _____ TOTAL: \$ _____

Payment by:

Certified Check/Money Order Personal Check C.O.D. Include 20% Down

Note: Orders accompanied by personal checks will require about two weeks to process.

20% Down Payment Enclosed. Charge Balance To:

BankAmericard # _____ Expires _____

Master Charge # _____ Expires _____ Interbank # _____

IN residents add 4% sales tax:)
CA residents add 6% sales tax:) \$ _____
All orders shipped post-paid within continental U.S.
(allow 8 weeks delivery.)

CLIP OUT AND ORDER NOW

CLIP OUT AND ORDER NOW

for the experimenter!

INTERNATIONAL CRYSTALS & KITS

OSCILLATORS • RF MIXER • RF AMPLIFIER • POWER AMPLIFIER



OX OSCILLATOR

Crystal controlled transistor type. 3 to 20 MHz, OX-Lo, Cat. No. 035100. 20 to 60 MHz, OX-Hi, Cat. No. 035101
Specify when ordering.

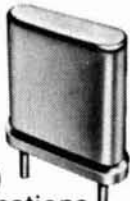
Price \$3.95 ea.



OF-1 OSCILLATOR

Crystal controlled transistor type. 3 to 20 MHz, OF-1, Lo, Cat. No. 035108. 20 to 60 MHz, OF-1, Hi, Cat. No. 035109
Specify when ordering.

Price \$3.25 ea.



EX CRYSTALS (HC 6/U HOLDER)

Cat. No.	Specifications
031080	3 to 20 MHz — For use in OX OSC Lo Specify when ordering \$4.95 ea.
031081	20 to 60 MHz — For use in OX OSC Hi Specify when ordering \$4.95 ea.
031300	3 to 20 MHz — For use in OF-1L OSC Specify when ordering \$4.25 ea.
031310	20 to 60 MHz — For use in OF-1H OSC Specify when ordering. \$4.25 ea.



MXX-1 TRANSISTOR RF MIXER

A single tuned circuit intended for signal conversion in the 30 to 170 MHz range. Harmonics of the OX or OF-1 oscillator are used for injection in the 60 to 179 MHz range. 3 to 20 MHz, Lo Kit, Cat. No. 035105. 20 to 170 MHz, Hi Kit, Cat. No. 035106
Specify when ordering.

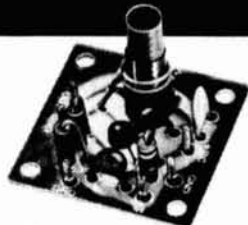
Price \$4.50 ea.



SAX-1 TRANSISTOR RF AMP

A small signal amplifier to drive the MXX-1 Mixer. Single tuned input and link output. 3 to 20 MHz, Lo Kit, Cat. No. 035102. 20 to 170 MHz, Hi Kit, Cat. No. 035103
Specify when ordering.

Price \$4.50 ea.



PAX-1 TRANSISTOR RF POWER AMP

A single tuned output amplifier designed to follow the OX or OF-1 oscillator. Outputs up to 200 mw, depending on frequency and voltage. Amplifier can be amplitude modulated. 3 to 30 MHz, Cat. No. 035104
Specify when ordering.

Price \$4.75 ea.



BAX-1 BROADBAND AMP

General purpose amplifier which may be used as a tuned or untuned unit in RF and audio applications. 20 Hz to 150 MHz with 6 to 30 db gain. Cat. No. 035107
Specify when ordering.

Price \$4.75 ea.

Shipping and postage (inside U.S., Canada and Mexico only) will be prepaid by International. Prices quoted for U.S., Canada and Mexico orders only. Orders for shipment to other countries will be quoted on request. Address orders to:
M/S Dept., P.O. Box 32497, Oklahoma City, Oklahoma 73132.



International Crystal Mfg. Co., Inc.
10 North Lee
Oklahoma City, Oklahoma 73102

Something new from Yaesu



Here is a compact, versatile transceiver designed for the active 2 meter enthusiast. The FT-221 features all mode operation—SSB/FM/CW/AM—with repeater offset capability. Advanced phase lock loop circuitry offers unsurpassed stability and clean spurious free signals. Modular, computer-type construction offers reliability and ease of service. Preset pass band tuning provides the optimum selectivity and performance needed on today's active 2 meter band. Join the fun on FM, DX, or OSCAR, with the FT-221 transceiver—another winner from the world's leader in amateur communications equipment.

Features

- Complete 144-148 MHz coverage in 8 band segments—11 crystal channels per band segment. (11 xtals = 88 crystal controlled channels)
- SSB output 12 watts PEP—FM/CW output 14 watts—AM output 2.5 watts
- Dual rate, concentric VFO dial drive with better than 1 kHz readout
- Three way metering: S-meter, power output, and FM discriminator
- Built-in AC & DC power supplies and speaker
- Built-in tone burst—adjustable 1500-2000 Hz

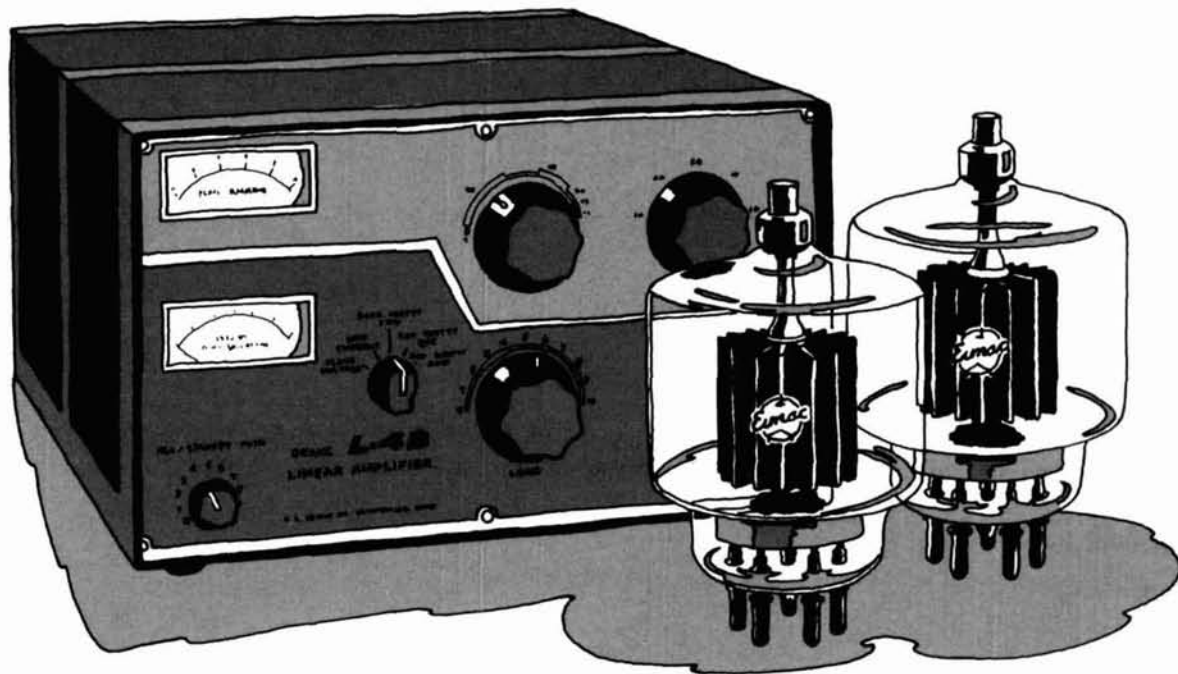
See your Yaesu dealer or write:

Yaesu Musen USA Inc., 7625 E. Rosecrans,
No. 29, Paramount, California 90723

Yaesu Musen USA Inc.,
613 Redna Terrace, Cincinnati, OH 45215
Eastern Service Center

YAESU
The radio.

The Drake L-4B's not-so-secret ingredient.



EIMAC 3-500Z triodes.

The good guys at Drake are proud to tell you about their L-4B linear amplifier. They won't hide the fact that precision design insures continuous operation at one kilowatt power input on CW, AM and RTTY; and two kilowatts PEP on SSB. You won't have to ask twice about the L-4B's features like the transmitting AGC circuit to control exciter gain, the standby switch or the built-in RF directional wattmeter.

Our point? Drake doesn't keep it a secret that the L-4B's high efficiency class B grounded grid circuit uses EIMAC 3-500Z zero bias triodes. EIMAC's performance reputation is a much publicized plus. Use of the 3-500Zs simplifies the circuitry, provides 1,000 watts plate dissipation and turns driving power into maximum output power.

To find out more about the reason Drake's first choice is EIMAC, or to ask about our design flexibility to meet individual applications, drop us a line or call. We have no secrets.

Contact Varian, EIMAC Division, 301 Industrial Way, San Carlos, California 94070, (415) 592-1221. Or any of the more than 30 Varian Electron Device Group Sales offices throughout the world.



FREE! THE NEW HEATHKIT CATALOG

YOU CAN...

build some of the finest electronic products around!

See how easy it is in our new FREE 96-page catalog ...

FILL IN COUPON AND MAIL TODAY 



send for yours NOW!



The world's largest catalog of superior electronic products in easy-to-build, money-saving kit form • Hi-fi Components • Color TV • Amateur Radio • Test Instruments • Digital Clocks and Weather Instruments • Auto, Marine and Aircraft Accessories • Radio Control Equipment

FREE! mail coupon now

Yes! Please rush me my personal copy of the NEW Heathkit Catalog

Dept. 122-24

Name _____

Address _____

City _____

State _____ Zip _____

Please send a catalog to my friend

Dept. 122-243

Name _____

Address _____

City _____

State _____ Zip _____

Ham Radio

PC-116

Send for the world's
largest electronics kit
catalog...

FREE!

Complete descriptions of over 400 money-saving electronic kits you can build yourself. Everything from lamp dimmers to color TV, all with our world famous assembly manuals that guide you every step of the way.



send for it NOW!



**PUT STAMP
HERE**

The Post Office
will not deliver
mail without postage

HEATH COMPANY

BENTON HARBOR MI 49022