

75 cents

*hrc*

focus  
on  
communications  
technology . . .

# *ham* **radio**

*magazine*

JUNE 1973

## digital RTTY autostart



### *this month*

- fm repeaters 24
- micropower receiver 30
- broadband amplifiers 36
- logic oscillator 46

# Savoy

## BASSETT

High efficiency mobile and portable antennas for all amateur bands, CAP, MARS, CB, SECURITY, PUBLIC SERVICE, MARINE, AND GOVERNMENT USE.

- 2-6-10-15-20-40-75
- Identical size, cost, and appearance
- FULLY ADJUSTABLE TO FREQUENCY IN FIELD
- Low weight, low drag, high strength fiberglass
- Polished chrome brass standard 3/8-24 thread
- High gain collinear on 2 meters

MODEL DGA-2M  
\$29.50 postpaid  
in U.S.A.



\$3.75

Postpaid in U.S.A.

TYPE 900 A

TYPE 901



## HIGH ACCURACY CRYSTALS FOR OVER 30 YEARS

Either type for amateur VHF in Regency, Swan, Standard, Drake, Vari-tronics, Tempo, Yaesu, Galaxy, Trio, Sonar, Clegg, SBE, Genave.

Quotes on request for amateur or commercial crystals for use in all other equipments.

Specify crystal type, frequency, make of equipment and whether transmit or receive when ordering.



## BASSETT VACUUM BALUN



**BASSETT VACUUM TRAP ANTENNA SYSTEM**  
Complete packaged multi-band antenna systems employing the famous Bassett Sealed Resonators and Balun from which air has been removed and replaced with pure helium at one atmosphere. Operating bands are indicated by model designation.

- MODEL DGA-4075 . . . \$59.50
- MODEL DGA-204075 . . . \$79.50
- MODEL DGA-2040 . . . \$59.50
- MODEL DGA-152040 . . . \$79.50

The famous sealed helium filled Balun employed with the DGA Series Antenna Systems. Solderless center insulator easily handles more than full legal power while reducing unwanted coax radiation. Equipped with a special SO-239 type connector and available either 1:1 or

MODEL DGA-2000-B . . . \$12.95  
Postpaid in U.S.A.

CONTACT YOUR DISTRIBUTOR OR WRITE FOR DATA

# Savoy Electronics, Inc.

P.O. Box 7127 - Fort Lauderdale, Florida - 333

Tel: 305-566-8416 or 305-947-1191



# FOR THE MAN WHO ENJOYS OWNING THE VERY FINEST...



## *THE NO-COMPROMISE* **ALPHA 77** *MAXIMUM LEGAL POWER LINEAR AMPLIFIER*

- LOAFS AT CONTINUOUS MAXIMUM LEGAL POWER IN ANY MODE
- DRIVES EASILY WITH ANY POPULAR EXCITER OR TRANSCIVER
- KEEPS YOUR SIGNAL CLEAN, CRISP, AND OUTSTANDING
- CHANGES BANDS FAST – WITHOUT 'CUT-AND-TRY' TUNE-UP
- STAYS COOL AND WHISPER-QUIET UNDER THE HARDEST USE
- CARRIES THE INDUSTRY'S MOST EXTENSIVE WARRANTY, BACKED BY ETO'S RENOWNED FAST FACTORY SERVICE

Why not move up to THE ULTIMATE? Call or write for the thoroughly illustrated ALPHA 77 brochure, answers to your questions, or an outstanding trade on your old gear.

**ETO** EHRHORN TECHNOLOGICAL OPERATIONS, INC.  
BROOKSVILLE, FLORIDA 33512  
(904) 596-3711

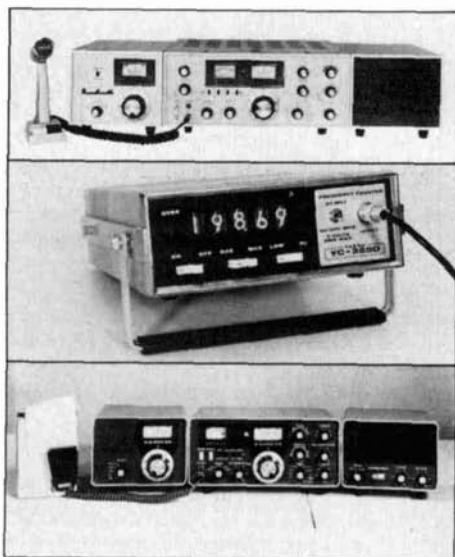
# HAM & EGGS YAESU

## Another American Favorite!

A discriminating ham and Yaesu products go together like that old American favorite, ham and eggs. That's why there's an ever-increasing demand for the complete line of amateur radio products now available from Yaesu Musen USA Inc.

Yaesu products are a natural for American hams because of their strict standard of high quality. And because Yaesu now has its own factory in the U.S. to provide direct service and to back up its dealers throughout the country.

Another American favorite. Ham and Yaesu.



### YAESU MUSEN USA INC.

7625 East Rosecrans Ave., Unit #29,  
Paramount, California 90723  
Phone: (213) 633-4007

#### YAESU DEALERS:

##### HENRY RADIO STORES

Los Angeles, Anaheim, Calif.; Butler, Mo.

##### HAM RADIO OUTLET

Burlingame, Calif.

##### RACOM ELECTRONICS

Renton, Wash.

##### WILSON ELECTRONICS

Pittman, Nev.

##### ED JUGE ELECTRONICS

Fort Worth, Dallas, Texas.

##### AMATEUR ELECTRONICS SUPPLY

Milwaukee, Wis.; Cleveland, Ohio.

##### FRECK RADIO & SUPPLY

Asheville, No. Carolina.

##### HARRISON RADIO

Farmingdale, New York, Valley Stream, N.Y.



June, 1973  
volume 6, number 6

**staff**

James R. Fisk, W1DTY  
editor

Patricia A. Hawes, WN1QJN  
editorial assistant

Nicholas D. Skeer, K1PSR  
vhf editor  
J. Jay O'Brien, W6GDO  
fm editor

Alfred Wilson, W6NIF  
James A. Harvey, WA6IAK  
associate editors

Wayne T. Pierce, K3SUK  
cover

T.H. Tenney, Jr. W1NLB  
publisher

Hilda M. Wetherbee  
assistant publisher  
advertising manager

**offices**

Greenville, New Hampshire 03048  
Telephone: 603-878-1441

**ham radio** magazine is  
published monthly by  
Communications Technology, Inc  
Greenville, New Hampshire 03048

Subscription rates, world wide  
one year, \$7.00, three years, \$14.00  
Second class postage  
paid at Greenville, N.H. 03048  
and at additional mailing offices

Foreign subscription agents  
United Kingdom  
Radio Society of Great Britain  
35 Doughty Street, London WC1, England

All European countries  
Eskil Persson, SM5CJP, Frotunagrand 1  
19400 Upplands Vasby, Sweden

African continent  
Holland Radio, 143 Greenway  
Greenside, Johannesburg  
Republic of South Africa

Copyright 1973 by  
Communications Technology, Inc  
Title registered at U.S. Patent Office  
Printed by Wellesley Press, Inc  
Framingham, Massachusetts 01701, USA

**ham radio** is available to the blind  
and physically handicapped on magnetic tape  
from Science for the Blind  
221 Rock Hill Road, Bala Cynwyd  
Pennsylvania 19440

Microfilm copies of current  
and back issues are available  
from *University Microfilms*  
Ann Arbor, Michigan 48103

Postmaster: Please send form 3579 to  
**ham radio** magazine, Greenville  
New Hampshire 03048



# contents

**6 digital RTTY autostart**

A. A. Kelley, K4EEU

**18 receiver audio module**

John R. Megirian, K4DHC

**24 fm repeater installation**

George R. Allen, W2FFP

**28 regulated power supply**

Paul J. Dobosz, WA8TMP

**30 solid-state micropower receiver**

Michael J. Gordon, Jr., WB9FHC

**36 broadband ic amplifiers**

Henry D. Olson, W6GXN

**40 using the Heath SB650 display**

Marvin R. Clinch, K2BYM

**46 logic oscillator for vhf fm**

Stirling M. Olberg, W1SNN

**50 solid-state keyer**

Arthur J. Glazar, K2FV

**4 a second look**

**94 advertisers index**

**83 flea market**

**54 ham notebook**

**56 new products**

**94 reader service**



## a second look

by Jim Fisk

In July the United States Postal Service will issue a quartet of postage stamps saluting Progress in Electronics. The four stamps, which were announced at an IEEE luncheon in New York in late March, span electronics development from Marconi's turn-of-the-century spark coil to the transistor. The four multi-colored stamps, in denominations of 6-, 8-, 11- and 15-cents, will be issued in New York City on July 10th.

The 8-cent stamp of the series commemorates the transistor and shows transistors and other components mounted on a printed-circuit board. As we all know, the transistor revolutionized electronics, provided the basis for integrated circuits, and opened up the door to many new products, including modern digital computers, communications satellites and manned space probes.

The 6-cent stamp, intended for post cards, shows Guglielmo Marconi's famous spark coil and spark gap. Marconi, who often described himself as an "amateur," demonstrated in 1895 that by grounding the transmitter he could increase the distance over which an electrical wave could be transmitted. He accomplished this by greatly increasing the power of Hertz' spark-gap transmitter and devising a high, earth-connected antenna. One terminal of the spark gap was connected

to ground while the other was connected to the antenna, thus increasing the amount of radiated energy.

With this transmitting system and a Branley coherer, he was able to send wireless messages over a distance of 1-1/2 miles in 1895. In 1901 he succeeded in sending a Morse signal, the letter S, from Poldhu, England to St. Johns, Newfoundland, and in 1903 he sent a complete telegraph message across the Atlantic. By 1907, the inventive Italian's findings had enabled a trans-Atlantic wireless service to be established between America and England, and in 1909 his success was crowned when he was awarded the Nobel Prize for physics. It is fitting that amateurs will be able to use the 6-cent Marconi stamp for sending their QSL cards within the United States.

The 11-cent airmail stamp shows Dr. Lee DeForest's Audion vacuum tube. In 1907 DeForest introduced the control grid to Fleming's two-electrode oscillation valve, making it possible to build electronic amplifiers and vacuum-tube transmitters. In 1915 Dr. DeForest used his Audion to transmit the human voice from Arlington, Virginia to Paris. Later, he developed the talking motion picture, facsimile and television.

The 15-cent stamp for international surface mail features three nostalgic electronic elements — an early microphone, a gooseneck speaker and a vacuum tube — combined with a tv camera tube.

Radio amateurs desiring first-day cancellations may make requests to "Electronic Stamps, Postmaster, New York, New York 10001," enclosing proper remittance, with the request postmarked no later than July 10th. Price for the set of four stamps serviced is 40 cents. A specific stamp or stamps may be ordered for first-day cancellation.

Jim Fisk, W1DTY  
editor





**RAYTHEON**

**MODEL - 1230  
RECEIVER**

## **THE NEW STANDARD OF RECEIVER EXCELLENCE**

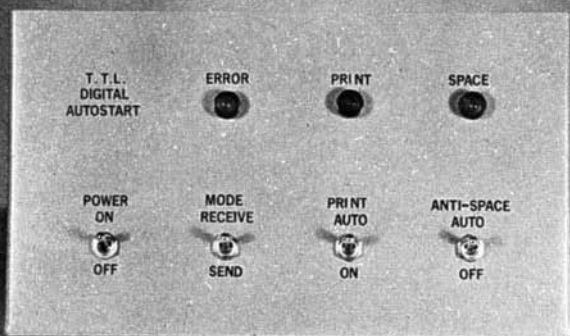
- **SYNTHESIZER STABILITY**  
*(Better than 1 Hz/day at any freq.)*
- **CONTINUOUS TUNING ( 2-30 MHz )**
- **TRACKED PRE-SELECTION ON ALL BANDS**
- **DIRECT DIGITAL READOUT TO NEAREST Hz**
- **PHASE LOCKED DETECTORS FOR AM, FM, FSK**
- **INDEPENDENT SIDEBAND AVAILABLE**
- **ALL SOLID STATE including DISPLAYS**

54475

**FOR MORE INFORMATION WRITE TO:**

**RAYTHEON COMPANY**

MARKETING DEPT. (SP)  
P.O. BOX 1542  
GOLETA, CALIFORNIA 93017  
AREA CODE 805 967-5511



## digital RTTY autostart

An automatic  
printer control  
that can be used  
with popular demodulators  
without disturbing  
existing circuits

Autostart is an automatic printer control system that turns on the printer to copy teletype signals and turns it off when the transmission ends. An ideal system should respond only to teletype signals and ignore noise, CW, or carriers on or near the operating frequency. This not only permits trouble-free automatic station monitoring but also makes manual operation easier.

Most autostart systems now in use<sup>1,2</sup> are carrier operated with one exception.<sup>3</sup> The equipment responds to any carrier at or near the mark frequency as well as to a signal divided in time between mark and space frequencies (RTTY signal). Some circuits have a refinement called anti-space, which measures the time a signal occupies the space frequency. If this time is substantially longer than an RTTY character, the printer is placed in mark-hold. This feature offers some protection against CW stations on the space frequency and prevents the printer from running open at any time. Although these demodulators may be complex, they still depend on the selectivity of the receiver, additional audio filters, and the duty cycle of

Bert Kelley, K4EEU, 2307 South Clark Avenue, Tampa, Florida

the received signal for what discrimination they have against unwanted signals. Carriers, slow CW, and sometimes noise will turn on the printer.

### autostart features

The new digital autostart system described here has the following features:

1. Positive discrimination is obtained between teletype and any other mode. The circuit checks the start and stop pulses (previously done by K5ANS).<sup>3</sup> However, it also checks each of the five RTTY bits that comprise the letter encoding. Since each letter is checked seven times, it is more difficult for a non-RTTY signal to escape detection by the digital logic.

2. The unit features easy, one-connection design adaptable to demodulators such as the popular ST-3, -4, -5<sup>4</sup> or -6 without disturbing existing circuits.

3. Inexpensive popular TTL integrated circuits are used. Circuit boards are available.\*

4. The digital logic, motor-control circuits, power supplies, and teletype loop circuits are contained in one package. This simplifies construction by eliminating the need for adapting to any existing power supply, loop, or motor-control circuits.

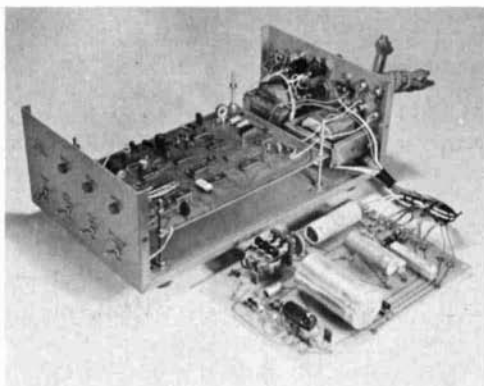
Some of the TTL logic circuits used in the autostart are shown in fig. 1. One package, U1, is Motorola RTL; the rest are Texas Instruments or equivalent 7400N series TTL logic.

### operating principles

Teletype letters are sent as a series of timed pulses that have on and off con-

ditions similar to digital logic pulses. A start pulse, which is always a space, is followed by five coded pulses or bits, which make up the letter. These bits are followed by a stop pulse, which places the printer in mark-hold ready for the next letter. This form of transmission is ideally suited to examination by digital methods.

The start pulse is a 22-ms spacing condition at 60 wpm. This pulse turns on a timing circuit, or clock, which generates



View of disassembled unit.

pulses in synchronism with the incoming signal. Each start and stop pulse is verified for polarity by the logic, and the five information bits are placed in storage and examined a moment later to determine if any change has occurred between the stored bit and the incoming signal. This decoding takes place in the center of each 22-ms interval and no change should occur. If a change occurs, an error pulse is generated. Four TTL NAND gates detect errors from (a) false starts due to noise or CW, and (b) defective stop pulses due to CW. The two storage error detectors detect changes in timing or polarity in the incoming signal. These errors are added and trigger a pulse stretcher connected so that it discharges a capacitor each time it fires.

Meanwhile, the same capacitor is charged by pulses from a similar circuit

\*A set of two epoxy, plated, undrilled circuit boards are available from K4EEU for \$12.00 postpaid in the USA. A complete parts kit, less boards, may be obtained from Truman Boerkoel, K8JUG, Stotts-Friedman Company, 108 North Jefferson, Dayton, Ohio 45402. Write for free parts and price list.

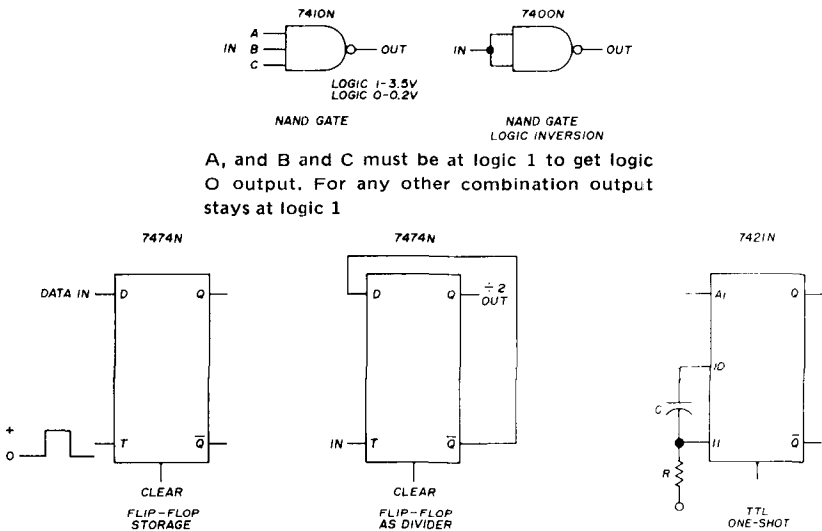
triggered by pulses that pass examination by both the false start (FS) detector and the character gate. A circuit monitors the voltage level across this storage capacitor and turns on the printer when the voltage exceeds approximately 1.9 volts. With noise input to the teletype demodulator, errors spilling out of the four gates keep the capacitor charged at about 1 volt. When a signal appears, the capacitor will charge high enough to turn on the printer within the time required for eight charac-

seconds — probably faster than most operators could reach for a manual start switch. Shutdown is equally positive: about three characters are printed in rapid succession before printer lockup.

### design considerations

Emphasis was placed on RTTY versus other mode discrimination rather than print evaluation. The printer will turn on whenever the logic recognizes an RTTY signal. This action may be through, or

fig. 1. Logic functions of some of the TTL circuits used in the digital autostart.



Type D flip-flop used as storage device. When cleared,  $\bar{Q}$  is at logic 1 and Q is at logic 0. Status of data at D input is transferred to Q output at positive-going edge of toggle pulse and is held in storage regardless of further changes in data input until cleared, or at next positive-going edge of new toggle pulse

Type D-flip-flop used as divider. By connecting  $\bar{Q}$  to D input, device may be operated as a divider

A<sub>1</sub> input normally is positive and triggers the multivibrator when driven to ground. The positive output pulse appears at Q output and is inverted at  $\bar{Q}$ . Length of pulse increases with value of capacitor and/or resistor. The IC has an internal 2k timing resistor at pin 9, which may be connected to 5V or another resistor between pin 11 and the 5 V supply

ters to pass. Usually no useful print is lost due to this turn-on requirement, since most operators open each transmission with several surplus characters such as blanks, line feeds, spaces, or duplication of call letters. At machine speed, the printer will turn on in less than 1.3

seconds between, interference. Under these conditions garbled copy may be printed, as if the printer were operated manually. Print evaluation was considered impractical, and the low threshold was chosen because garbled signals will often contain enough accurate print so that the

substance of a message can be understood.

A dividing line must exist between print and nonprint, or what constitutes a recognizable RTTY signal. This grey area is particularly troublesome when propagation conditions are marginal; fading conditions make ordinary autostarts cycle on and off. Therefore a print hysteresis circuit was developed, so that evaluation standards are changed once the system goes into print. The printer will continue

amounts of distortion — up to 40 percent in a well-adjusted printer<sup>5</sup> (see fig. 2). The print selectors operate during the middle 4.4 ms of each 22-ms interval at a point established by rangefinder adjustment. Print evaluation should take place at this time. The TTL autostart evaluates the signal *inside* the 4.4-ms interval (actually for only 2.5 ms).

### storage circuit

The memory-capacitor storage circuit

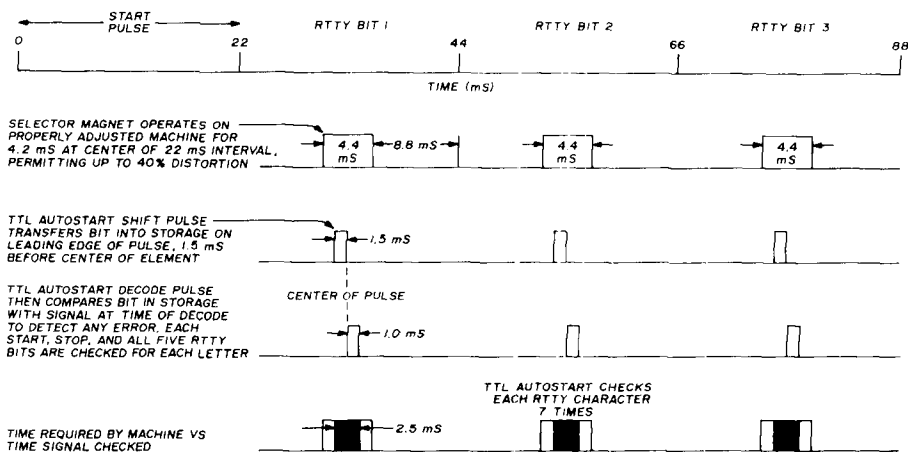


fig. 2. Timing relationship of pulses showing sequence of operation.

to copy a signal that may deteriorate from the initial condition. Full anti-space protection is retained as well as positive printer control at the end of transmission. The printer motor does not cycle on and off unless copy is lost completely. This, of course, reduces loss of copy due to the eight character turn-on requirement.

### distortion

An autostart system should not reject signals the printer is capable of copying. If it does, it adds errors of its own to the copy. In a practical system, the received signal is subject to varying amounts of distortion during transmission and reception due to a variety of causes — keyboard adjustment, relays, the demodulator, filters, and signal conditions, to name a few. Fortunately, the machine is mechanically designed to handle large

is the result of considerable experimentation. Several circuits were tried with digital-counter storage. These circuits have two operational deficiencies for this application. First, they have a finite capacity. When this capacity is exceeded, these counters start over at zero count rather than when a high amount of errors have accumulated that should be in storage. Second, there is no relationship with time. A carrier on the mark frequency can lock up the count indefinitely and keep the teletype motor running, yet the transmitting station may have stopped typing long ago. No doubt there are more complex methods of solving this problem.

One of my principal objectives was to keep the autostart as simple as possible consistent with required performance. A simple memory capacitor error storage circuit proved to be the solution. It will

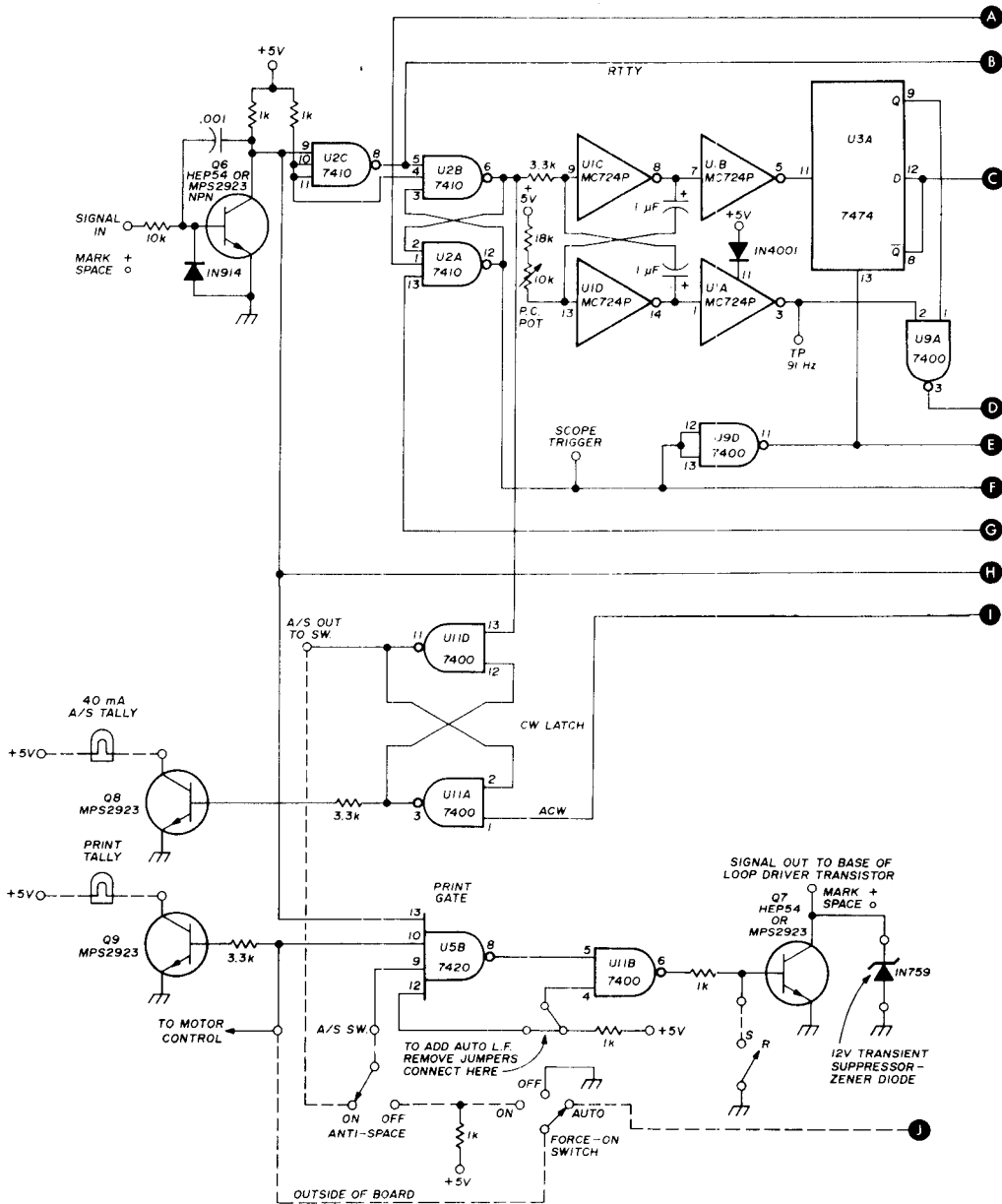


fig. 3. Logic diagram of autostart circuit board with input and output transistors.

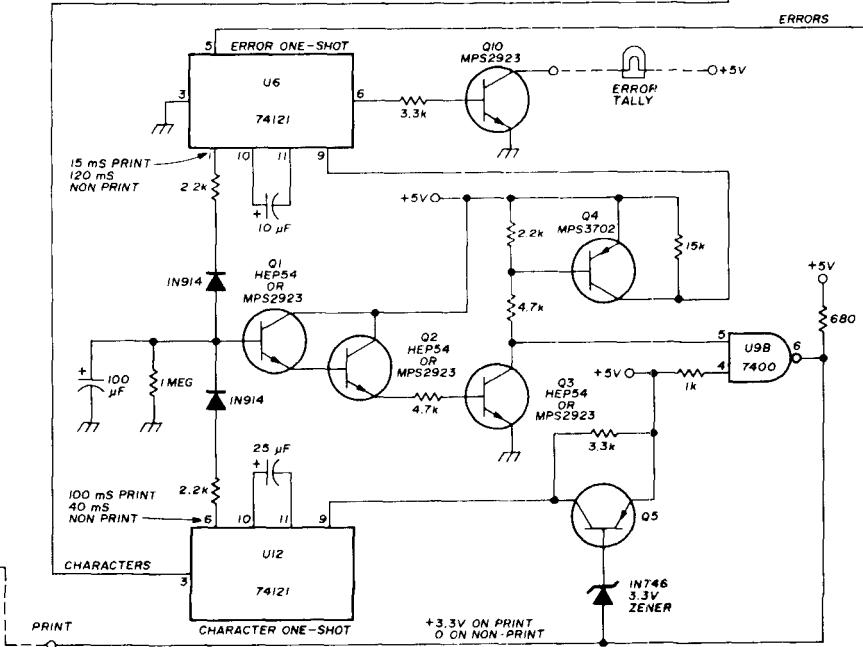
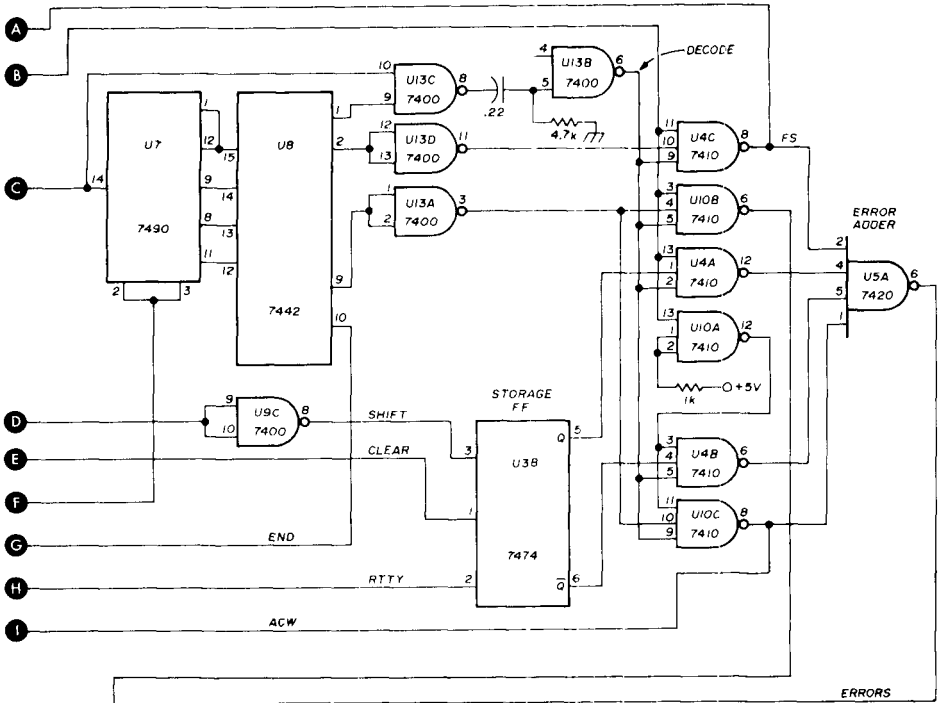
not overflow, uses a minimum of components, and has the bonus feature of an idle line turn-off. If no typing occurs for about one minute the capacitor discharges and the printer goes off. This feature accommodates the slowest typists but turns off the printer when stations send

only call letters then start tuning up on frequency.

### operation

During standby, in mark hold, a positive voltage will appear at the input jack (fig. 3). The start pulse starts the clock





oscillating at 91 Hz. U8 then generates pulses that coincide with the start and stop pulse (see fig. 4). Seven shift pulses are generated in U9, which shifts each incoming pulse into storage. The decode

pulse generator, U13, generates seven 1.0-ms positive-going pulses positioned near the center of each 22-ms interval.

Five TTL NAND gates examine the signal. Since they operate in a similar

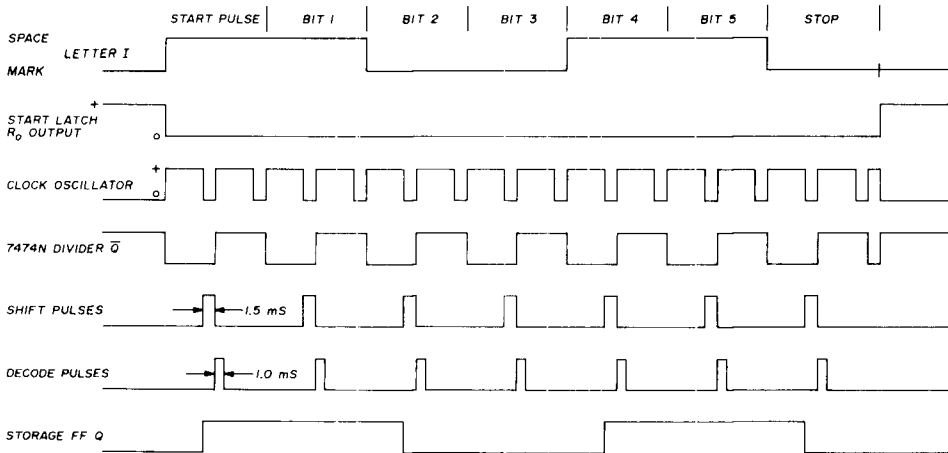


fig. 4. Waveforms of logic circuits during formation of the letter I.

manner, only one gate will be explained. One section of the three-section gate, U4, checks the start pulse. Normally the voltage at U4-8 will remain positive and will not change unless all inputs to this gate are positive at the same time.

At the start pulse the reset/set (R/S) latch, U2, sets; the clock starts; and its pulses advance in synchronism with the incoming signal, so that U8-2 is low at the same time the incoming signal is low at U4-11. U13 is connected as an inverter, so U4-10 becomes high. At the center of the 22-ms interval the decode pulse from U13-6 becomes positive. If, at this time, the incoming signal is valid RTTY, the start pulse will be low at the base of Q6, high at the collector, and low at U2-8, which is connected to U4-11. As long as U2-8 stays low, there will be no output from U4. But if the clock had been turned on by a noise pulse, the polarity of the input signal would probably be different at this time; and, since all three inputs to U4 are positive, a negative-going pulse would appear at U4-8, resetting latch U2-1 and stopping the clock.

This pulse at U4-8 is too short to see on most oscilloscopes since it lasts only long enough to reset the fast TTL logic. It may be lengthened, for verification purposes, by temporarily tacking a 1- $\mu$ F capacitor between U4-8 and board ground.

When the decode pulse ends, the false

start (FS) gate is disabled for the rest of the character. The other four gates require a positive decode pulse and two other positive voltages for any change in the output. Since the gate outputs are all positive, the output of U5-6 is normally low.

The incoming teletype signal is also applied to U3-2, the storage flip-flop. It is placed in storage by the positive-going edge of the shift pulse from U9-8, and the

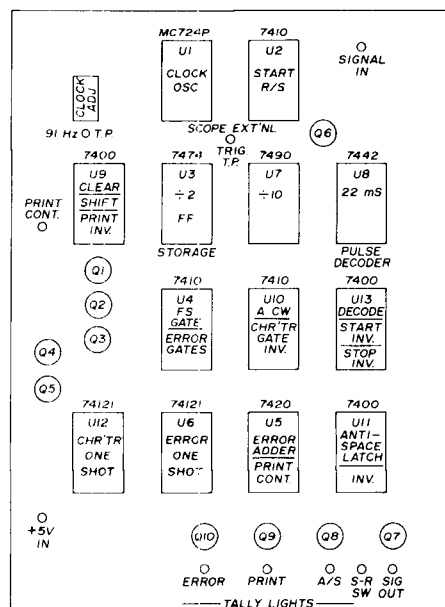
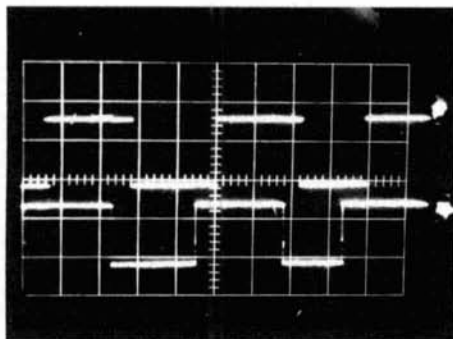
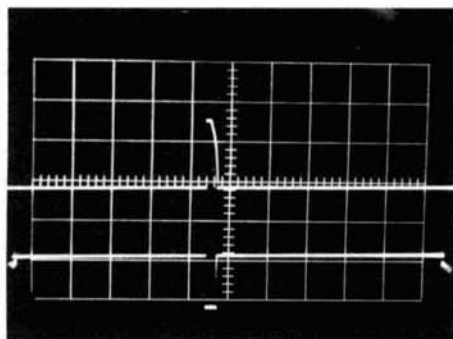


fig. 6. Logic board package layout.

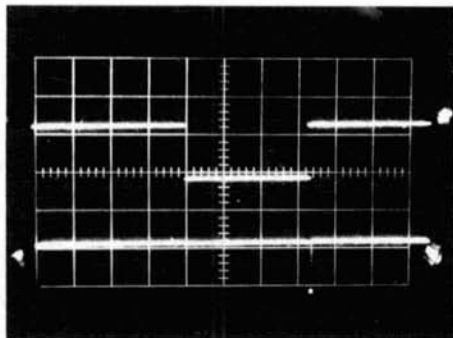




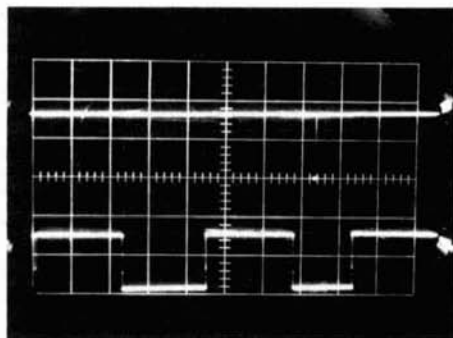
Incoming RTTY signal (bottom trace) is shifted into storage flip-flop and appears delayed and regenerated at U3-5 (top trace). 1.5 millisecond after being transferred into storage, top waveform is compared with bottom waveform (which may be static, CW, or noise and not necessarily the RTTY signal for the letter I as pictured). If a change in polarity occurs, an error pulse is generated.



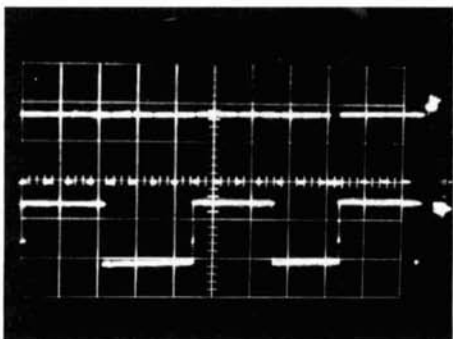
Top trace is a decode pulse; bottom is a pulse at character-gate output U10-6. Decode pulse sets timing. For this pulse to be present, denoting a valid character, a positive-going pulse must appear at U10-4 and a positive-going decode pulse must appear at U10-5 (top trace), and a positive (inverted) stop pulse must appear at U10-3. Scale: 5 milliseconds/centimeter horizontal, 2-volts/centimeter vertical.



Bottom trace is a pulse output from the character gate, U10-6, which triggers monostable U12. U12 output is shown in top trace. Normally U12-6 is low, as in center of top trace, but when triggered by the "good character" gate U10-6, the Q output of the character one-shot goes positive and remains positive, even into the next character (at machine speed). This action keeps the 100- $\mu$ F memory capacitor charged. The expanded one-shot output is about 100 milliseconds long. This shows conditions during print. Pulse is only 40 milliseconds long during standby, so an occasional "good" pulse doesn't have much effect. Eight consecutive 40-millisecond pulses will turn on printer. Scale: 20 milliseconds/centimeter horizontal, 2-volts/centimeter vertical, unless otherwise noted.



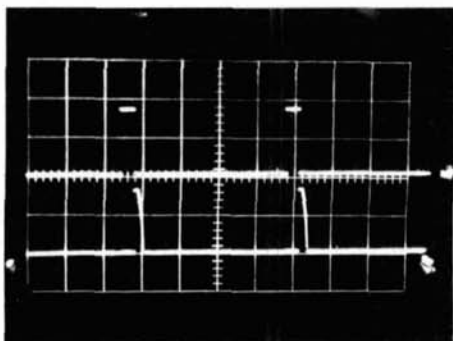
Top waveform shows output of character gate at U10-6 versus the incoming RTTY signal at U2-9. Location of this pulse in relation to the stop pulse is shown.



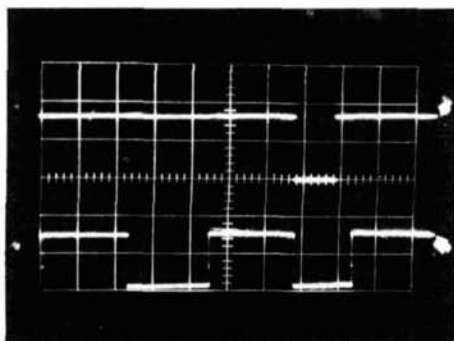
Top shows 4 clock pulses at pin 11 of 7474N divider. Bottom shows RTTY signal for letter I at input of digital TTL autostart (Q6 collector). Bottom of each trace is logic 0, or near zero Vdc.

nate the possibility of inadvertently shorting the high loop-supply voltage to the logic.

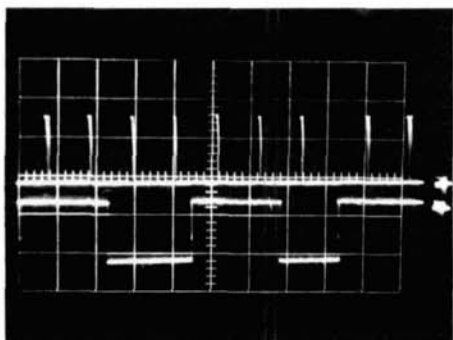
Construction is simplified and appearance enhanced if the available circuit



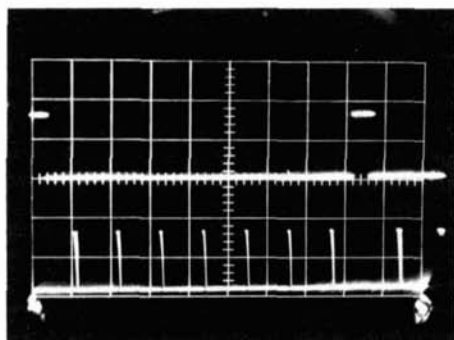
This shows shift pulse versus decode pulse (U9-8 and U13-6). Note relative timing. Positive-going edge of shift pulse (top) transfers RTTY character into storage, where it is checked 1.5 millisecond later by decode pulse action, which turns on the gates. Scale: 5 milliseconds/centimeter horizontal, 2-volts/centimeter vertical.



Bottom trace is letter I sent at machine speed. Top trace is voltage at pin 9 of U8, the 7442N BCD decoder. This shows that the decoder goes low at pin 9 only during the stop pulse. This pulse is then inverted in U9 and enables both the anti-CW detector gate and the valid RTTY character gate, U10.



Top shows decode pulses (7 for each RTTY character). Bottom shows RTTY signal for letter I at input of autostart board (Q6 collector). Decode pulse checks each part of RTTY character at approximate center of the bit. Example: first positive-going part of square wave (bottom trace at left) is composed of start pulse (22 milliseconds) plus first bit (22 milliseconds), which is 44 milliseconds. Two decode pulses directly above this part of square wave show polarity of pulse and relative timing. The 7 decode pulses check start, plus 5 bits, plus stop pulse. Scale: 20 milliseconds/centimeter horizontal, 2-volts/centimeter vertical.



Bottom trace shows 7 decode pulses. Top trace is voltage on pin 12 of U2 start latch at machine speed. This voltage is used to externally sync scope during tests (negative slope triggering). Start latch goes off (high) during last portion of stop pulse until new start pulse triggers clock and generates new series of decode pulses at center of each 22-millisecond interval.

boards are used (see fig. 7). Each board is sent with a photograph that shows parts and jumper locations. Most of the component values are screened on the board.

### critical components

The following suggestions are given to ensure proper operation. The small tran-

sistors should have moderately high  $h_{FE}$ . I selected mine from a large number of 2N706s with the aid of a scope curve tracer, but if you don't have a means of testing beta, use HEP-54 or MPS-2923, 24, or MPS3393 for Q1, Q2, Q3, Q6, Q7, Q8, Q9, Q10. Q11, and Q12. For Q4 and Q5, use pnp HEP-715, MPS-3702 or MPS-3703. These transistors are inexpensive and universally available. MJE340 transistors are recommended for Q13 and Q14.



with a digital counter connected to a test point indicated on the printed-circuit board. Remove the jumper between U8-10 and U2-13, set the frequency, and replace the jumper. If all is well, the autostart should be in operating condition. When the receiver is tuned to the space frequency, both space and error tallies should light, and go off promptly when the receiver is retuned to mark.

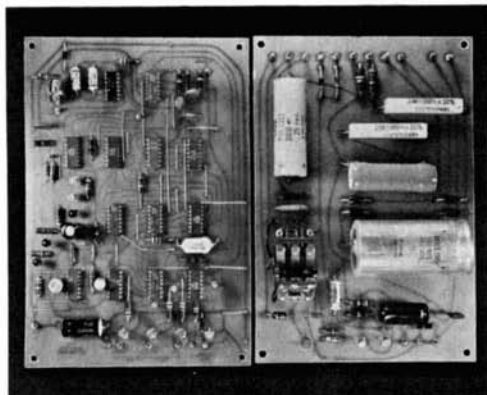
The idle line turn-off time should be checked to ensure it is approximately 1 minute  $\pm$  15 seconds. The voltage across the memory capacitor should be measured with a vtvm when checking becomes necessary. It will read about 2.8 volts during steady typing, about 1 volt on noise, and 1.9 volts will be the dividing line between print and nonprint. The turn-on character requirement should be seven or eight characters.

### trouble shooting

Trouble shooting is reasonably straightforward. A kit scope will usually suffice for signal checks through the unit. The scope should be synchronized on the test point provided to stabilize the trace and to make pulses appear in their relative positions on the trace. Typical waveforms of selected points in the circuit are shown.

With a ready-made circuit board, wiring errors are eliminated. Trouble spots to look for would be solder splashes, unsoldered connections, an IC installed backward, or a missing jumper.

If the autostart will not go into print unless the force-on switch is used, trouble in the logic is indicated. Isolate by disconnecting the three jumpers to the inputs of error adder U5, leaving only the trail connection to U5-1 and check to see if the error one-shot continues to fire. If so, the cause must be traced backward through U10-8. If the autostart begins to



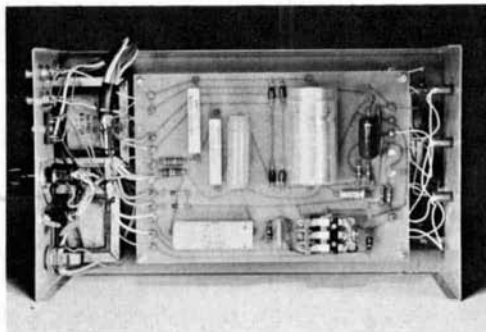
Logic and power supply/motor-control/loop boards.

operate, connect the gates, one at a time, until the offending source of error pulses is isolated. Be sure that the test signal source is clean and that the clock is correctly set at 91 Hz. If all else fails, write me, giving results of checks and measurements made. Be specific, clearly state the difficulty, and enclose a self-addressed, stamped envelope.

### references

1. Irving Hoff, W6FFC, "Mainline ST-3 RTTY Demodulator," *QST*, April, 1970, page 11.
2. Irving Hoff, W6FFC, "Mainline ST-6 RTTY Demodulator," *ham radio*, January, 1971, page 6.
3. Frank Stewart, K5ANS, "Digital Autostart for RTTY," *RTTY Journal*, November, 1970, page 3.
4. Irving Hoff, W6FFC, "The Mainline ST-5 RTTY Demodulator," *ham radio*, September, 1970, page 14.
5. Durwood Tucker, W5VU, *RTTY from A to Z*, Cowan Publishing, pages 18 and 58.
6. A.A. Kelley, "Automatic Line Feed for RTTY," *ham radio*, January, 1973, page 20.

ham radio



Top view showing power-supply/motor-control/loop board installation.



## a complete audio module

This audio module  
includes an  
active filter,  
preamplifier,  
audio compressor and  
power output stage

When I recently decided to build a new receiver based on the modular concept, I spent several weeks delving into piles of magazines and clippings from trade journals to come up with the audio system described here. I don't know for certain why I started with the audio function block first, though on occasion my wife has accused me of doing things backwards. However, I am more inclined to believe I was influenced by the recent rapid advances in active-filter design and the abundant supply of circuits offered in the various publications. For whatever reason, the audio module came first, and since I felt some of the features might be of interest to others, I decided to write it up before going on to the next module.

### features

Four distinct functions are provided in the audio package. These include a filter, a compressor, a preamp and a power amplifier. Both bandpass and band-reject functions are provided by the filter with bandwidth and frequency adjustable by

Ray Megirian, K4DHC, Box 580, Deerfield Beach, Florida 33441



means of front panel controls. When not in use, the filter is bypassed.

The compressor, or audio agc amplifier, was considered to be a worthwhile addition to the complete system. It provides flat output with low distortion from about 20 mV to 2.0 V rms input. An external switch allows the compressor to be cut in or out, as desired. When the compressor is switched out, a preamp is automatically switched into the circuit to make up for the gain normally supplied by the compressor at low signal levels.

The final section uses a Motorola MC1454G power amplifier IC which is capable of providing up to 1-watt output for driving a speaker. A headphone jack is available for high-impedance headphones along with a switch to shut off the power amplifier if the speaker is not needed.

### the filter

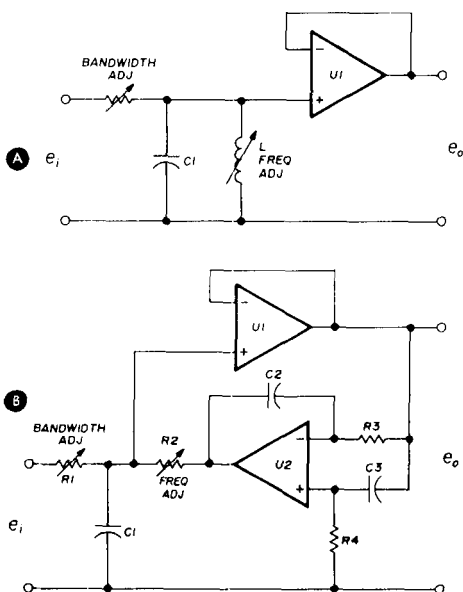
During my search through the magazines and clippings, many active-filter circuits were pulled and tried before I decided to use the circuit shown here.<sup>1</sup> Both bandwidth and frequency are independently adjustable by means of front-panel controls. With the values shown in the schematic of **fig. 2** frequency is variable from about 300 Hz to 2.0 kHz.

The original circuit was strictly a bandpass filter; a simplified circuit of which is shown in **fig. 1A**. In **fig. 1B** the large, hard-to-tune inductor has been synthesized by an RC network and op-amp IC, U2, resulting in a far more practical circuit. Since an extra op-amp was available on the board, it was used to implement the band-reject filter. In this mode, equal and in-phase signals are applied to both the inverting and non-inverting inputs of the op-amp, resulting in cancellation or zero output at the notch frequency.

Although the primary purpose for including a filter in the audio module was to aid in CW reception, the notch func-

tion can be quite useful for nulling heterodynes during phone reception. With the bandwidth control set at the sharpest position the 3-dB bandwidth is about 11 Hz.

Incidentally, a peaking function could



**fig. 1.** The basic active filter circuit used in the audio system. The simple bandpass configuration is shown in (A). Practical filter section is shown in (B).

be added to the filter if desired. Instead of using U2A as a subtracting amplifier, it could be used in the summing configuration with both signals fed to the inverting input. This would result in a 6-dB peak at the selected frequency. An additional position and one more pole would be required on the function switch to accommodate this extra function.

### the compressor

Several audio agc circuits were tried, including one using the LM370 which provided squelch in addition to agc, but somehow I preferred this one over the others.<sup>2</sup> Referring to the schematic in **fig.**

2, you can see how simple the circuit is and how few components are required.

Use of the T-network in the feedback loop allows the circuit to handle signals considerably larger than in those cases where the fet appears directly across the

tion to be adjusted when the compressor is switched out of the circuit.

The power amplifier uses an MC1454G IC and requires no additional comment since the circuit is straight from the data sheet.

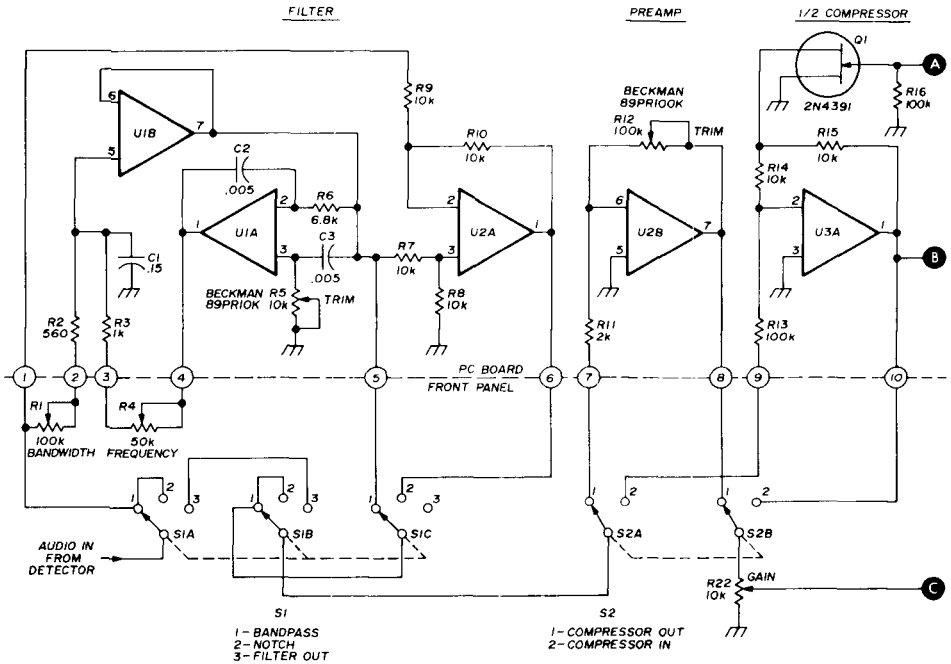


fig. 2. Circuit of the complete audio system module includes an active filter, preamplifier, compressor and power output stage.

signal path. Eventual gain of the circuit is limited by the maximum *on* resistance of the fet. The 2N4391 used here has a maximum of 30 ohms.

The voltage gain in my unit before compression begins is about 17. The agc has a fast attack characteristic with a slow decay. Electrolytic capacitor C5 controls the decay time and its value may be varied to suit your own requirements.

### preamp and power amplifier

The remainder of the circuit is quite conventional, consisting of a standard preamplifier implemented with an op-amp whose gain may be adjusted by means of a trimmer resistor in the feedback loop. This permits gain compensa-

### construction

Signetics type N5558V ICs were used for all op-amps on the board. These 8-pin dual-in-line packages contain two 741 op-amps each, allowing a very compact assembly. The board measures 3.2 by 3.4 inches and a layout is shown for those interested in duplicating the module. All external controls are connected by wire leads to holes provided in the board. If desired, the layout could be modified to suit a plug-in arrangement.

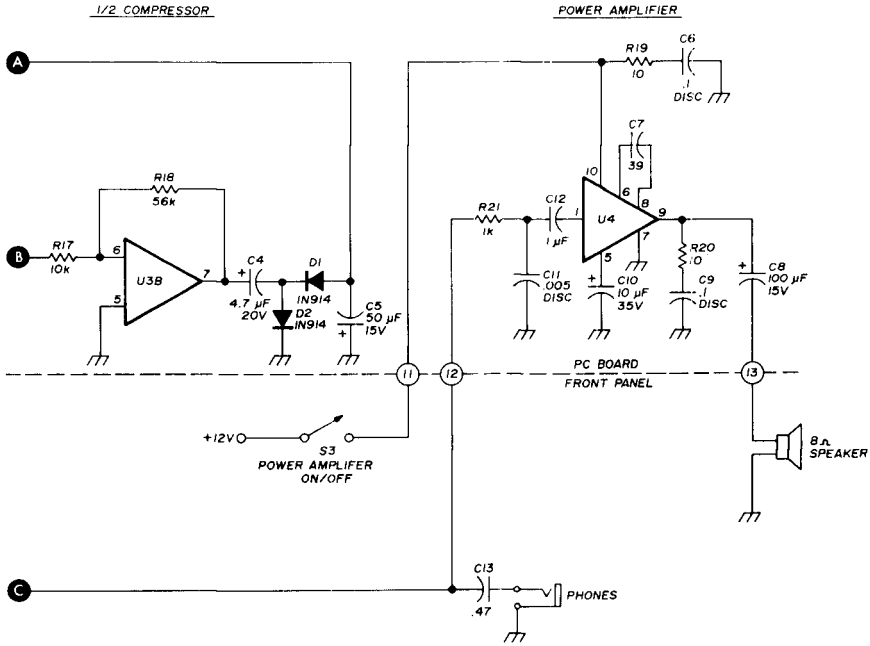
The following information may be helpful in obtaining parts physically suited to the hole spacings used in the original layout. All resistors are ¼-watt, 5%, though 10% units would be adequate. All the electrolytics are printed-circuit

types (single-ended) except C4, which is a small axial-lead tantalum.

The disc capacitors are 50-volt types and C7 is a dipped mica in the smallest size. This latter capacitor lies flat against the board so it will clear the heatsink

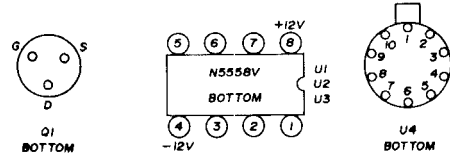
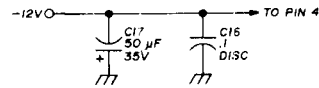
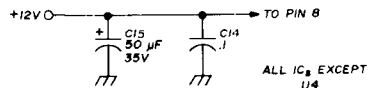
## adjustments

A scope and an audio generator make filter adjustment a fast and simple procedure. Set trimmers R5 and R12 to mid-range before beginning. Switch out



mounted on U4. Capacitor C1 is a dipped mylar unit rated at 75 volts. C2 and C3 were Japanese mylars salvaged from my junk box and rated at 100 volts. They were very thin and had close-spaced leads for printed-circuit mounting. Domestic equivalents may require some lead bending to affect a fit.

A 50-volt monolythic capacitor was used for C12 because I happened to have one and it fit nicely under the heat sink. Since these capacitors in the 1-µF range are rather expensive, you may wish to substitute at the expense of a few mechanical problems. The 15-turn trimmer resistors are the small 3/4-inch units such as the Beckman 89P type used here. The 2N4391 in a metal can is around \$3.00, depending on the manufacturer. The plastic version I used costs less than a dollar.



both the filter and the compressor and feed in enough signal at 1.5 kHz to obtain an output of 1 or 2 volts p-p as seen on the scope when connected to the high end of the gain control.

Set the bandwidth to maximum resist-

ance (sharp) and turn the function switch to *bandpass*. Carefully adjust the frequency control for a peak. Trimmer R5 should then be adjusted for an output amplitude equal to that obtained without the filter. Make sure you're right on frequency, it's quite sharp! That's all there is to it.

The other trimmer, R12, controls the

takes some getting used to. When using the notch function, turn the bandwidth control to minimum resistance (broad) or you may never find the null. In the bandpass mode, the broad bandwidth setting can be used for phone reception since rolloff is quite gradual.

As I have done in the past with several

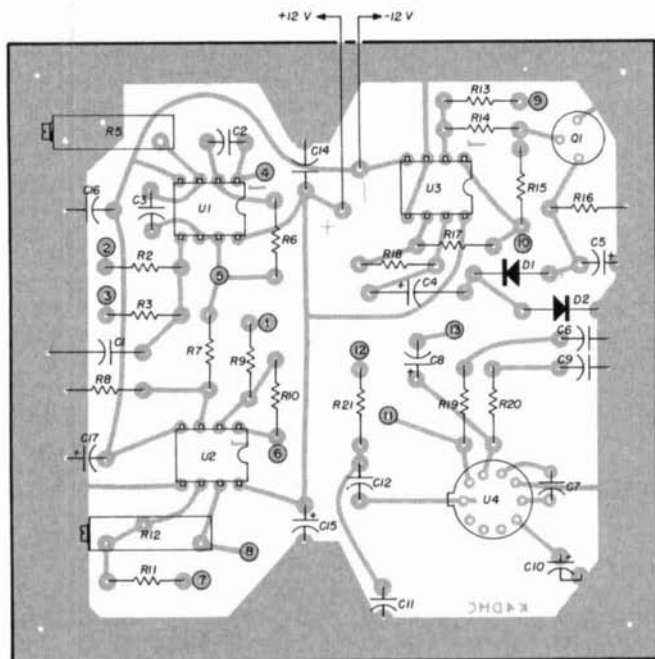


fig. 3. Full-size layout of the component side of the printed-circuit board. Numbers correspond to those used in fig. 2 for external connections.

gain of the preamp and may be adjusted to suit your own requirements. Clockwise rotation of the slotted shaft increases gain. The compressor requires no adjustment, but while the scope is connected you can check the circuit for proper operation. With the compressor switched in, output should be around 1.0 V p-p with input levels from 60 mV p-p to around 6.0 V p-p. Of course, there may be some differences due to variations in the characteristics and tolerances of the components.

### operating hints

The active filter is quite sharp and

other articles, I shall attempt to help out with any of the more unusual parts if it is necessary. In this case the Beckman trimmers and the plastic 2N4391 are about the only items which may be troublesome. Drop me a line and a self-addressed, stamped envelope if you need help.

### references

1. John Jenkins, "Active Filter Has Separate Band and Frequency Control," *Electronics*, September 11, 1972, page 110.
2. Leonard Accardi, "FET Gain-Control Stage Handles High-Level Signals," *Electronic Design*, March 2, 1972, page 64.

ham radio

# SERIOUS RADIO OPERATORS RELY ON SWAN

No fooling around. If you want superior full-band performance combined with ease of operation, then it's time you invest in SWAN equipment. Reliable equipment that gives dependable service every time you're on the air.

Here are two single-sideband transceivers that seasoned radio amateur veterans put their trust in, both at home and on the move:



Install a SWAN 500CX and join an elite legion of hams whose experiences have made this the most desired 550 watt P.E.P. transceiver in its class. Enjoy unsurpassed tuning ease, extraordinary signal sensitivity, and transmissions that'll push through noise which would obscure readability in a lesser piece of gear.

500CX, less power supply . . . \$529.95; 117XC, matching AC power supply with speaker . . . \$109.95; 14-117, DC power supply (can be adapted to AC use with \$8.00 optional line cord) . . . \$139.95.



Perhaps portability is your need. You can have confidence in the deluxe 270B Cygnet. Compact and lightweight, it has 260 watts P.E.P., a built-in power supply and loud-speaker, plus a solid-state VFO. 12 volt operation is easily adaptable with an optional plug-in DC converter . . . should fit well with vacation plans.

270B, with built-in power supply . . . \$469.95; 14-A, DC converter . . . \$44.95.

Both the 500CX and the 270B cover the five most popular frequency bands — 10, 15, 20, 40 and 80 meters with CW or selectable sideband operation. See SWAN's 1973 catalog for complete specifications.

If you're serious, send us a 10% down payment to your SWAN REVOLVING CREDIT SERVICE account and we'll deliver your choice before another month goes by . . . we don't fool around.



**SWAN**  
ELECTRONICS

*A subsidiary of Cubic Corporation*

305 Airport Road • Oceanside, CA 92054 • Phone (714) 757-7525

# fm repeater

## installation

### Suggestions on dealing with setup and control problems

A recent article in *ham radio*<sup>1</sup> caused many questions on how to set up a repeater and how to solve the problems encountered. These notes are presented to help answer these questions and help solve some of the problems.

#### definition of a repeater

A repeater is an fm, TV, facsimile, or similar station that receives a signal on some input frequency and automatically transmits the received signal on some output frequency. The purpose of a repeater is to extend the communication range between a group of stations. The repeater generally consists of a receiver with its antenna, a control unit, and a

transmitter with its antenna. This simplest form of an amateur fm repeater station is shown in fig. 1.

#### setting up a repeater

From the block diagram of fig. 1, it is seen that a basic repeater station consists of five components: two antennas, a receiver, transmitter, and control unit. When setting up a repeater, care must be taken to select each component carefully so that the components will function as a reliable repeater system rather than a collection of pieces of equipment with a high maintenance rate and low performance. For example, when selecting a receiver, care must be given to its selectivity, sensitivity, and intermodulation characteristics.

The receiver must be sensitive enough to receive low-power signals within the desired coverage area; on the other hand it must not be so sensitive as to pick up signals greatly removed from the desired coverage area. The receiver must be selective enough to eliminate strong signals or adjacent channels, but not so selective that most signals are too wide for the receiver passband. The receiver must be relatively insensitive to intermodulation products. For example, if two commercial stations are on the air simultaneously from a nearby site, the receiver must not mix the two signals, causing the reception of unwanted signals.

The transmitter must have enough power when used with the transmitting antenna to produce an adequate signal

George R. Allen, W2FPP, 4059 Bay Park Drive, Liverpool, New York 13088

within the desired coverage, but must not be so powerful that it causes interference in outlying areas. The transmitter, furthermore, must generate a signal free from spurious radiation and transmitter noise. The antennas should have sufficient gain for adequate receiving and transmitting coverage within the desired area. Each item in the repeater should be chosen to be as maintenance free as possible. This does not exclude tube equipment, but it does mean that the equipment must be capable of operating continuously at some remote location without frequent maintenance.

### hooking it all together

Once the receiver, transmitter, and antennas have been assembled, the only remaining task is to connect the equipment together and see if it will work. To do this, it will be necessary to build some type of carrier-operated relay circuit, which will turn the transmitter on when a received signal is present. Fig. 2 shows a simple Carrier-Operated Relay (COR) circuit for use with a tube receiver. This circuit is similar to the COR used in reference 2, which should be consulted for connection to various types of receivers. For a very simple repeater, the relay itself can be used to key the transmitter directly when a signal on the input frequency is received. While this method will work, direct transmitter keying has some very serious disadvantages. For one, if something goes wrong and the transmitter suddenly decides to generate a birdie on the input frequency, the repeater will latch up and remain in operation even though an input signal is not present. In addition, some long-

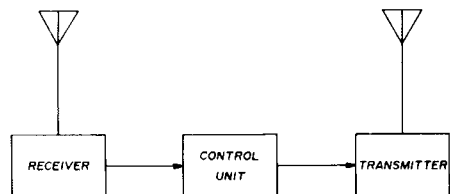


fig. 1. Basic repeater setup.

winded fellows could keep the repeater keyed for days at a time without giving the other stations a chance to talk.

Another problem with this simple circuit is that the transmitter will undergo rapid on-off cycles during periods of short transmissions. This will produce

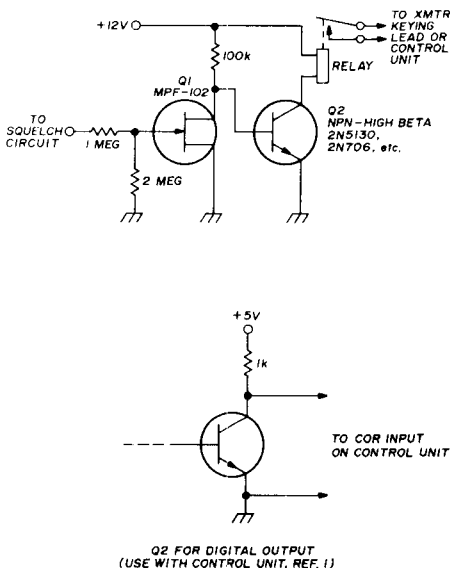


fig. 2. Simple carrier-operated relay circuit.

excessive wear and tear on mechanical relays, and the resulting series of double squelch crashes is hard on the ears. These problems can be cured by inserting a reliable control unit between the receiver and the transmitter. This control unit will "time out" any received signal that is on longer than some predetermined interval (say, three minutes) and will provide a carrier dropout delay so that the transmitter carrier will not drop out between transmissions. The hookup of this control unit is shown in fig. 3. The control unit is described in reference 1. Note that fig. 3 also shows a relay in series with the transmitter keying lead. This relay is used for turning the repeater on and off either locally or via remote means such as a leased telephone line (radio line).

Note also that some additional items will be needed for a legal repeater. An

identifier of some sort will be required to identify the repeater automatically at five-minute intervals, either by phone or CW. The referenced repeater control unit provides a timer that will trigger the identifier as long as the repeater is active. Another item required by law is a monitor to monitor the input and output frequencies.

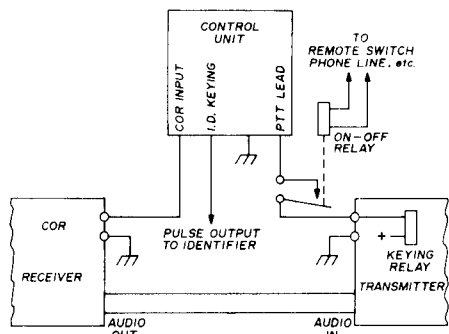


fig. 3. Typical control-unit hookup.

### some problems involved

While it is possible to hook a repeater together as previously described and have it work the first time, few people are so lucky. Most repeater groups encounter problems of one type or another.

One of the most common problems is desensitization. This problem is caused by too much transmitter power getting into the receiver front end. This power will desensitize or block the receiver. The result is that the receiver will only respond to very strong signals, or to no signals at all, when the transmitter is operating. This problem can be identified very easily by listening to a weak received signal and monitoring the first limiter with a meter (transmitter off). If, when turning on the transmitter, the signal gets weaker or disappears, and the first limiter current goes *down*, you have a desensitization problem. If the signal gets weaker, and the first limiter current goes *up*, the problem is caused by transmitter-generated noise.

Desensitization can be cured in several ways. The transmitter and receiver should

be well shielded, and power leads from inside the shielded units should be well bypassed. The antennas should have a large vertical separation to prevent transmitter power from getting back into the receiver. Most commercial two-way radio dealers have charts giving the separation required for frequency versus amount of isolation desired.

The problem of transmitter noise is another matter. If a commercial, type-accepted unit is used as the transmitter, it is unlikely that transmitter noise will be a problem. If home-brew equipment is used, transmitter noise is likely to be an annoying problem. Noise can be eliminated either by redesigning the transmitter output stages or by installing one or more cavity filters in the transmitter output. The cavity filter is very selective and can be successfully used to eliminate transmitter noise from the receiver input. The best way to use the cavity is shown in fig. 4. In this case, the cavity is inserted in the transmitter output lead and is used in a suck-out mode. In other words, it passes all rf energy but sucks-out the energy or noise at the receiver input frequency. Some of the references given explain the proper use of cavity filters.

Cavities can also be used to help reduce desensitization, but don't get the idea that cavities are a requirement in a repeater. They are not. As an example, the Liverpool repeater, in Liverpool, New York, operated for over a year without cavities and without desensitization or transmitter noise problems.

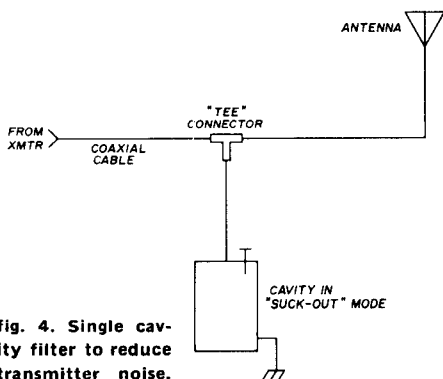


fig. 4. Single cavity filter to reduce transmitter noise.



## choice of frequencies

While there is no rule giving a list of input and output frequencies and channel separation for repeaters, it is recommended that the current plan suggested by the ARRL be used. If this plan is supported nationally, it will be possible to travel coast-to-coast and work into a large number of repeaters using only a handful of crystals.

This article isn't intended as a short course on repeaters, but as a guide for dealing with some of the problems that may be encountered in repeater installation. The articles in the references provide essential details and should be read before attempting to set up your repeater.

### references

1. G. Allen, W2FPP, R. Sobus, K2QLE, "Repeater Control with Simple Timers," *ham radio*, September, 1972, page 46.
2. G. Allen, W2FPP, "FM Channel Scanner," *ham radio*, August, 1971, page 33.
3. R.C. Heptig, KØPHF, Robert D. Shriner, WAØUZO, "Carrier-Operated Relay," *ham radio*, November, 1972, page 58.
4. R.B. Shreve, W8GRG, "Integrated Circuit Sequential Switching for Touch Tone Repeater Control," *ham radio*, June, 1972, page 22.
5. Murray Ronald, VE4RE, "Solid State Carrier-Operated Relay and Call Monitor," *ham radio*, June, 1971, page 22.
6. Vern Epp, VE7ABK, "Plain Talk About Repeater Problems," *ham radio*, March, 1971, page 38.
7. K.W. Sessions, Jr., K6MVH, "The Split Site Repeater," *73*, November, 1971, page 39.
8. Donald L. Milbury, W6YAN, "Technological Locusts that Plague the Age of Repeaters," *73*, April, 1971, page 20.
9. Paul Hoffman, W1ELU, Ray Pichulo, W11RH, "Repeater Audio Mixer," *73*, March, 1971, page 57.
10. Paul Hoffman, W1ELU, Ray Pichulo, W11RH, "Repeater Zero Beater," *73*, January, 1971, page 52.
11. K.W. Sessions, Jr., K6MVH, "Optimizing Antenna Separation in FM Repeaters," *73*, September, 1970, page 45.
12. W.B. Kincaid, WA4YND, "A Repeater Controller," *73*, April, 1970, page 34.
13. K.W. Sessions, K6MVH, "Understanding the Carrier-Operated Repeater," *73*, April, 1970, page 41.

ham radio

## CRYSTAL FILTERS and DISCRIMINATORS by K.V.G.

### 10.7 MHz FILTERS

XF107-A	14kHz	NBFM	\$38.25
XF107-B	16kHz	NBFM	\$35.55
XF107-C	32kHz	WBFM	\$35.55
XF107-D	38kHz	WBFM	\$38.25
XM107-S04	14kHz	NBFM	\$16.75

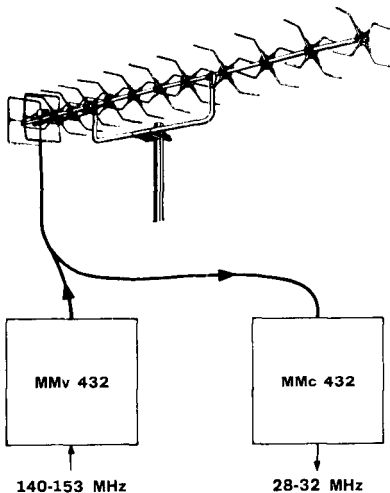
(4 pole, in HC6/U crystal can)

CRYSTAL SOCKET (for XM107-S04) type DG1 \$1.50

### 10.7 MHz DISCRIMINATORS

XD107-01	30kHz	NBFM	\$20.20
XD107-02	50kHz	WBFM	\$19.30

## WHAT ABOUT 432 ?



### J Beam Multibeam 432/MBM 46 for 432 MHz

46 elements 22.1 DBi gain

#### MMv 432 High Power Varactor Tripler

Input: 140-153 MHz  
20 watts max.  
Output: 420-459 MHz  
12 watts min.

#### MMc 432

Input: 432-436 MHz  
Output: 28-32 MHz  
Noise figure: 3.8 dB typical  
Gain: 28 db nominal

Write for complete details on this exciting  
432 (or 450 MHz) package!

**si**

**SPECTRUM  
INTERNATIONAL  
BOX 1084 CONCORD  
MASSACHUSETTS 01742**

# regulated ac power supply for mobile fm equipment

This low-cost  
regulated power supply  
provides a convenient way  
of powering  
your mobile  
vhf fm equipment  
at your home station

Paul J. Dobosz, WA8TMP, 855 East Commerce Road, Milford, Michigan 48042

If you have been looking for a good regulated 12 to 14-volt dc power supply to use your mobile vhf-fm solid-state gear at home, look no further. This simple low-cost regulated supply will power most solid-state rigs and a beefed up version will power most of the popular rf power amplifiers currently available for mobile use. Power supplies suitable for this purpose are available from electronic suppliers and transceiver manufacturers, but the prices are far from cheap. That fact makes construction of a supply the only economical alternative.

The design is about as simple, versatile and straightforward as a regulated power supply can get. It can be tailored to suit a wide variety of individual needs from milliwatt HT to high-power linear. The best news is the price. The basic 3-amp version costs slightly less than \$25, using brand new parts. A 6-amp model can be built for an additional \$5. Regulation is between 5 to 8 percent for full load with ripple of not more than 100 millivolts.

## the circuit

Transformer selection is not critical as long as the transformer meets these simple requirements. It must provide the necessary secondary current at 15 to 20 volts rms.

The full-wave bridge rectifier can consist of four individual diodes with a PIV of 50 volts or greater, or an epoxy encapsulated bridge can be used. Current capacity of the individual diodes or bridge should be equal to (or preferably, greater than) the amount of current to be drawn from the supply. The use of a pre-packaged bridge is advantageous because of its low cost, compactness and convenience. Individual diodes might prove more economical though if they are readily available.

The capacitive filter consists of a single

one or two milliamps of base current are required to provide each amp of output current. The MJ1000 is rated at 5 amps but it is necessary to reduce the load of the MJ1000 to about 3 to 4 amps per unit because of the power dissipation rating of the device.

This conservative design will prevent thermal damage to the MJ1000. If more than 3-amp capacity is needed, the additional current can be obtained by paralleling MJ1000s along with increases in the capacity of the bridge rectifier and power transformer. Selection of the zener

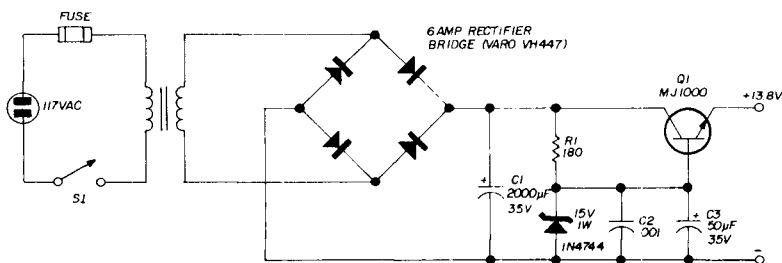


fig. 1. Circuit diagram for the regulated low-voltage power supply. Transformer T1 is a Triad F47U (3 amps) or Triad F48U (6 amps). For current capacity greater than 3 amps, transistor Q1 should be paralleled with another MJ1000 for each additional 3 amps of output current.

electrolytic capacitor connected across the output of the bridge rectifier. The only requirement for the capacitor is a capacitance of at least 2000  $\mu$ F at 35 to 50 volts dc. A smaller amount of capacitance will work but the ripple will increase considerably as the value of capacitance is decreased. If the ripple reaches more than 500 millivolts it will begin to appear on the transmitted signal as hum.

## regulator

The regulator circuit is a simple series regulator using a zener diode as a voltage reference. The heart of the regulator is the series regulator transistor which is a pre-packaged Darlington amplifier with extremely high gain. This allows the use of inexpensive 1-watt instrument zeners as the voltage reference. The high beta of the MJ1000 transistor means that only

diode voltage should be approximately 1.2 volts higher than the desired output voltage to overcome the two base-to-emitter drops of 0.6 volt each in the Darlington.

## construction

The power supply can be constructed on almost any chassis or cabinet. Although it is not absolutely necessary it would be a good idea to fuse both the ac input and dc output of the supply. The MJ1000 should be heat sunked and mounted in the clear so that air can circulate freely. If an epoxy encapsulated bridge rectifier is used it should also be heatsinked. All wiring should be at least no. 18. Layout is not critical so your imagination is the only limit for a custom installation.

ham radio



## micropower communications receiver

This high-performance  
solid-state  
20-meter receiver  
requires less than  
80 milliwatts of power

If you've ever tried to operate a typical transistorized receiver from dry-cell batteries you know how expensive it can be. The current drain of most receivers is on the order of hundreds of milliamperes and battery life is short. For example, a General Electric fm transceiver draws 500 mA in the receive mode, with the transmitter section off and the final tube filaments disconnected. At twelve volts this represents total power dissipation of 6 watts, making dry-cell operation impractical. Of course, this is a rather

complex receiver and, in that light, this may not be considered an excessive amount of current drain.

However, consider a much more simple receiver such as the *beginners receiver* described in the 1970 ARRL Handbook. This is a direct-conversion receiver and uses only two transistors and a single IC; yet, current drain is 24 mA and power dissipation is about 350 milliwatts.

In the receiver presented in this article the total power dissipation is only 80 milliwatts. Unlike the simple direct-conversion receiver it features performance superior to the receivers in a great many commercial transceivers at least in regard to sensitivity, noise figure and stability.

Selectivity is determined by how much you are willing to pay for a crystal filter, and in this respect a transceiver may be slightly superior, although no significant differences may be noted in use. Also, this receiver covers only one band, twenty meters, and is designed primarily for CW operation.

A low-power receiver is especially advantageous in an emergency situation when the only source of power is a battery. With the low current required by this unit, many hours of operation can be

Michael J. Gordon, Jr., WB9FHC, 1615 Elmwood, Wilmette, Illinois 60091

obtained from a single set of batteries. For example, a few surplus sub-C size nicad batteries rated at 750 mA hours will provide more than 60 hours of continuous operation. And, even during non-emergency situations there are advantages to a low power, high performance receiver. When operating portable, for example, a few AA batteries will provide many hours of operation and weigh very little.

used here because of its lower cost compared with a fet. After the signal passes through the crystal filter, cross modulation is no longer a problem so other considerations were given more priority. The last i-f amplifier is coupled to the detector, an RCA CA3028A IC. This IC is well suited for this application and the circuit has extremely high conversion gain and good overall performance as a product detector.<sup>1</sup>

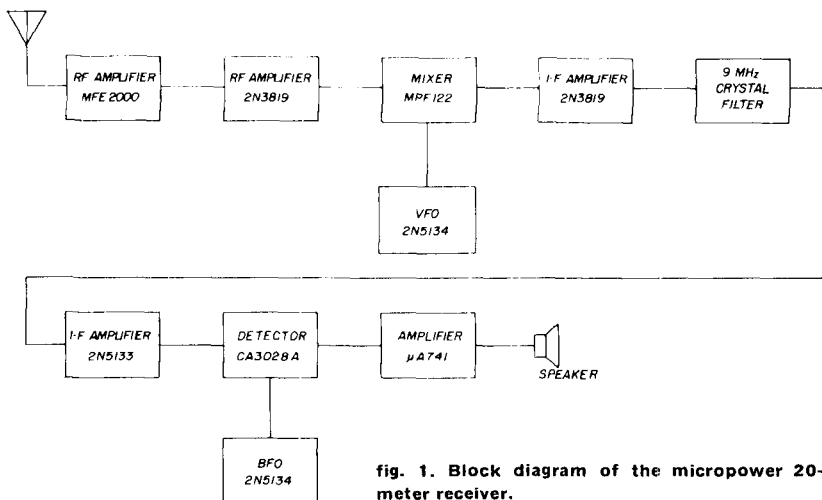


fig. 1. Block diagram of the micropower 20-meter receiver.

## circuit

A block diagram of the complete low-power receiver is shown in fig. 1. A signal at the antenna is amplified by two fet rf stages and fed to a mosfet mixer. The MPF122 mosfet is a low-cost plastic device and features diode protected gates. The 9-MHz output of the mixer is amplified by another fet which also acts as an impedance matcher, transforming the high-impedance output of the mixer to the lower input impedance of the crystal filter.

After filtering, the signal is amplified by a high-gain bipolar transistor. The base-bias network of this transistor serves to properly terminate this side of the crystal filter. A bipolar transistor was

The output of the detector is fed to the audio gain control and from there to the audio amplifier, a simple circuit using an IC op amp and a pair of complementary transistors. The bfo is a single transistor in a simple crystal oscillator circuit; the vfo is a two-transistor circuit. One transistor is in a Vackaar oscillator circuit, the other, an fet, is used as a buffer.

The two rf amplifiers are almost identical, with the exception of the method in which the supply voltage is fed to the drain. In one case an rf choke is used for minimum voltage drop, and in the other a resistor is used. Two stages of rf amplification are used because the gain of a single stage operated at these voltage and current levels is not adequate for the



performance I wanted. Substitution of the MFE2000 is not recommended unless you replace it with a device of similar specifications. Even the 2N3819 produced noticeably poorer performance as far as noise figure and tendency to oscillate are concerned.

The mixer is a standard circuit, and the dual-gate mosfet features excellent conversion gain as well as diode-protected gates and low cost. Gate two is biased at one-third of the supply voltage to increase conversion gain. Oscillator injection is through a 15-pF mica capacitor to minimize pulling of the vfo, whose output is a very stable signal, nominally in the 5.0- to 5.150-MHz frequency range.

The mixer takes the difference between the incoming 14-MHz signal and the 5-MHz vfo to produce the 9-MHz i-f, which is further amplified. The coil in the vfo is a toroid which provides a high-Q inductance in a minimum amount of space. Vfo stability is excellent, partly due to this high-Q coil, and partly because the transistor parasitic capacitances are swamped by external capacitors on all elements. These capacitors must be high quality silver-mica units if any degree of stability is desired.

The first i-f amp is fairly straightforward and it is coupled to the crystal filter through a capacitor. The crystal filter determines the selectivity of the receiver, and if substitutions are made, there are a few things to keep in mind. First, the circuit shown was designed around a surplus four-crystal unit which had no dc path between the output pin and ground. In order for this circuit to work there must be no dc path through the filter between the base of the second i-f amplifier transistor and ground. If there is, the base bias will be upset and the circuit will not function properly.

If your filter has a dc short from the output to ground, as measured on an ohm-meter, simply insert a .01- $\mu$ F capacitor between the base of the transistor and the filter. The base-bias network current is set to allow for proper impedance termination of the crystal filter specified.

The output of the second i-f stage goes

to the product detector which is a circuit from the ARRL Handbook. Although it was not intended to be operated from a 6-volt supply, it seems to work fine at that voltage, having high gain and a good output level.

The output of the product detector is transformer coupled to the audio amplifier, which consists of an IC op amp driving a pair of transistors operating in Class B. The current drain of this circuit is extremely low and the amplifier is very efficient. Since there is no provision for avc, and since the receiver is designed primarily for CW reception, the audio amplifier is designed to clip at a certain input level above which the audio output cannot rise. Although this produces severe distortion on strong signals, the ease of copying the CW is in no way affected. This provides a very effective means of limiting the dynamic range of the output volume without impairing performance. In fact, it represents a marked improvement over the receiver with no avc at all.

The output of the audio amplifier is sufficient to drive a pair of sensitive high-fidelity type headphones to adequate volume, if the elements are wired in series. However, the recommended load is a good pair of sensitive 600-ohm headphones. It is important that the headphones shut out as much external noise as possible since the audio output is not great. The output coupling capacitor was selected with this headphone impedance in mind. With lower impedance phones you can expect a loss of low-frequency response.

## construction

A modular type of construction was used, with one or two stages in the receiver on each of several printed-circuit boards. All of these boards were made by hand, using nail polish for resist. This method proved to be adequate for circuitry of this type where there are no really tight foil runs. This method is very good because it allows for change in the circuitry as deficiencies show up during construction, without necessarily having

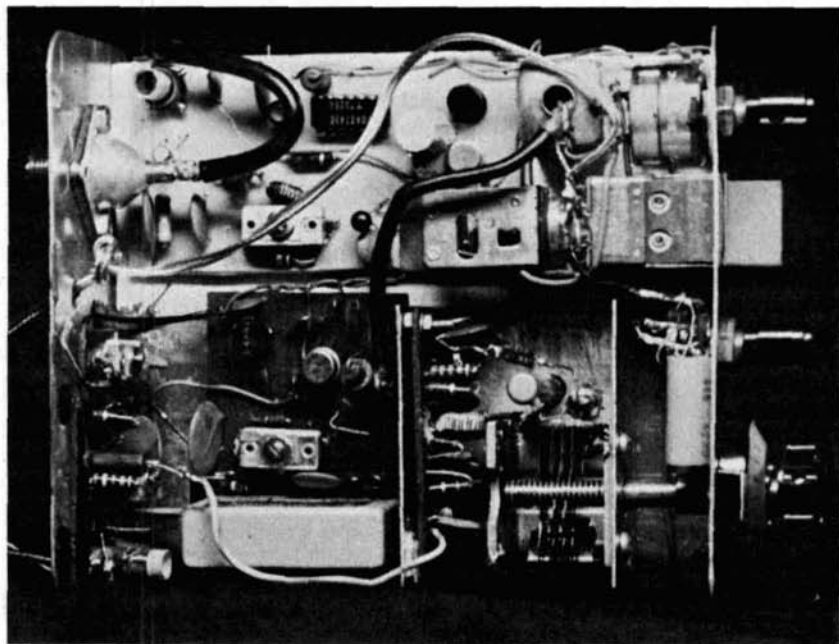
to go through a multi-step process of preparing a photographic pattern, exposing the board, and the rest of the work that goes with making a photographically etched circuit board. This is not to slight the photographic process, which is great once you have the breadboard version of your project working and are ready to make a professional version.\*

The vfo and bfo were put into indi-

tuning purposes, and it works well even though you are not able to read frequency directly from its calibrations.

### alignment

Alignment is simple, requiring nothing other than a calibrated receiver or transmitter for reference. The vfo is set very simply by placing the main tuning capacitor at maximum capacitance and adjusting the trimmer until the received



Construction of the micropower receiver.

vidual compartments for shielding, the former in a small minibox, the latter in an old i-f transformer can. Mechanical stability of the vfo is an important consideration and no effort should be spared to achieve it. The minibox mounted on another chassis proved to be adequate in this case. Everything was mounted in a LMB CO-3 cabinet which presents a fine looking piece of equipment when complete. A low-cost vernier dial was used for

\*A complete etched and drilled PC board is available from Psynexus Systems, 445 Oakdale, Glencoe, Illinois 60022 for \$3.50. A complete parts package is \$60.00.

frequency is that frequency at which you wish the lower band edge to fall.

In view of the fact that the vernier dial will give you only an approximation of what frequency the receiver is tuned to, it is wise for advanced and general-class licensees to set the lower band edge a kilohertz or so above 14.025 MHz so you cannot hear, and therefore will not be tempted to transmit to, any stations outside of your frequency segment. By the same token, the Extra-class licensee should set the low end of the band at roughly 14.001 MHz.

It is not critical where the high end of



the band falls so no further adjustments are necessary. You should find that the high end of the band is roughly 150 kHz above the low end. If you find it necessary to change the bandspread, the following information will be useful. First, decreasing the inductance of the vfo coil by removing turns and then adding compensating capacitance in parallel with the main tuning capacitor will increase bandspread. That is, the tuning range will be made smaller. Conversely, increasing inductance by compressing the wire on the coil or adding turns, and decreasing capacitance to compensate will decrease bandspread (a greater range of frequencies will be covered).

Rf and i-f alignment is simply a matter of peaking the various coils for maximum signal strength. A fairly weak signal should be used, and the audio amplifier should be kept below the limiting point by keeping the gain as low as possible. You may wish to temporarily hook up an external audio amplifier for these tests in order to provide more volume. When the unit is properly tuned you will notice a significant increase in the output noise level when your 20-meter dipole is connected up to the antenna terminals. When the band is open, a 3- or 4-foot piece of wire will bring in plenty of signals.

## conclusion

All in all, this receiver makes an excellent construction project. The circuit is simple enough for the average ham with a little previous experience to build, yet performance is superior to many commercial transceivers on the market. Cost is reasonable, and the receiver is better insofar as current drain is concerned than anything else available. All you need is a simple QRP transmitter, such as the Ten-Tec TX-1 to make a complete high efficiency amateur station, ready for any portable or emergency situation that may come up.

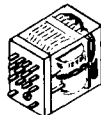
## reference

1. *The Radio Amateurs Handbook*, A.R.R.L., 1970, pages 137-142.

ham radio

## NEW NEW NEW

Factory New Guardian Relay  
12 Volt DC Coil  
4PDT 5 Amp Contacts  
Guardian Type 1315P4C-12D  
\$2.00 ea. ppd.



## NEW NEW

Factory New Full leads. Fairchild RTL IC's.  
uL 900, uL 914, uL 923. YOUR CHOICE  
3 for \$1.00 ppd.



## NEW NEW NEW

6 foot Koil-Cord with molded PL-55 plug. Very nice.  
75¢ Each, 3 for \$2.00 ppd.

## NEW NEW

TRANSFORMER. 115 volt primary, 12 volt 1/2 amp secondary.  
\$1.50 ppd.



3000 MFD @ 30 Volt Capacitors.  
Size 1" Diameter x 3" Long. 75¢ Each or 3 For \$2.00 ppd.



Black, Aluminum Anodized, Heat Sink. Size Approximately 4 3/4" x 1 3/4" h. x 1 1/2" w. Predrilled For TO-3 Transistors. Delco Part #7277151. Factory New.  
75¢ Each, 3 for \$2.00 ppd.

## BACK IN STOCK

Unpotted Toroids. All centertapped.  
88 mhy or 44 mhy. Your choice 5 for \$2.00 ppd.  
15 for \$5.00 ppd.



## NEW NEW NEW

Tubular Polystyrene Capacitors. All 125 Volts — 2.5% tolerance. .003 Mfd, .01 mfd, .018 mfd, .022 mfd. Your Choice 15 for \$1.00 ppd.



NEW NEW NEW  
MYLAR CAPACITORS. All 200 Volts Radial Leads. .01mfd, .05 mfd, .1mfd. YOUR CHOICE.  
14 for \$1.00 ppd.

High quality, American Made Transformer. 115 Volt Primary. Secondary 17-0-17 Volt @ 150 ma. Tap At 6.3 Volt For Pilot Light. Ideal For Transistor Pre-Amps, VFO's, etc. Fully Shielded.  
\$1.50 Each ppd.



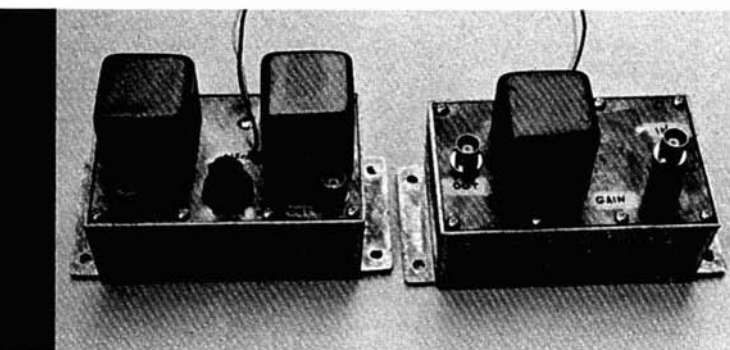
Power Transformer. 115 Volt AC Primary. Secondary #1: 32-0-32 Volt @ 1 Amp. Secondary #2: 6.3 Volts. Low Current For Pilot Lights. Size 2 1/2" x 2 1/2" x 3".  
Price: \$2.50 Each ppd.

6.3 Volt 1 Amp Transformer. Fully Shielded  
\$1.60 Each ppd.

Transformer — American Made fully shielded.  
115 Volt Primary  
Secondary #1 18-0-18 Volts @ 4 Amps  
Secondary #2 5 Volts @ 2 Amps  
A very useful unit for LV Power supply use.  
Price — A low \$4.75 ppd.

SEND STAMP FOR BARGAIN LIST  
Pa. Residents add 6% State sales tax  
ALL ITEMS PPD. USA

**m. weinschenker**  
K3DPJ BOX 353 · IRWIN, PA. 15642



## high-performance broadband ic amplifiers

Construction details  
for two broadband  
IC amplifiers  
which provide up to  
40-dB gain  
over the frequency range  
from 1 to 56 MHz

Hank Olson, W6GXN, Post Box 339, Menlo Park, California

Presented here are a pair of IC amplifiers which are useful in a variety of measurement and communication systems problems that lie between 1 MHz and 56 MHz. As such, they encompass the seven lowest amateur bands, providing useful gain at these frequencies.

Both amplifiers make use of the Motorola MC1590G integrated circuit which is characterized as an i-f/rf amplifier by the manufacturer. The more simple of the two amplifiers, fig. 1, uses only one broadband 400:50-ohm ferrite transformer, providing approximately 25-dB gain and a noise figure of about 13 dB at 30 MHz. The more complicated amplifier, fig. 2, uses two broadband transformers and provides approximately 40-dB gain and a noise figure of about 3 dB at 30 MHz. Both amplifiers have a gain control.

The quoted noise figures for both amplifiers were measured at maximum gain with an AIL Model 75 automatic noise-figure meter. Since the typical noise figure for the MC1590G integrated circuit is the only one specified (6dB at 60

MHz), it is possible that somewhat different values be obtained with individual ICs.

## applications

Just what good is a broadband amplifier to the amateur world? Probably the same question was asked about the broadband double-balanced hot-carrier mixer when it first arrived on the scene. Since hams are usually concerned with bands that represent only a few percent bandwidth, broadband devices are not a requirement. However, the convenience of having a broadband device that can be used on *any* of the lowest frequency ham bands, without switching, tuning or adjustment is a real asset in rf measurements or when a system is being first checked for concept.

Consider, for example, that you have just heard on the news that the Russians have launched a satellite that transmits on 40 MHz — complete with dog heart beats. You quickly jury-rig a receiver to hear the satellite transmissions. A signal generator is used for a local oscillator, a double-balanced hot-carrier mixer is used to convert 40 MHz to a convenient *i-f*, say 7 MHz and an amateur-band receiver is used as an *i-f* amplifier, detector and audio amplifier. The broadband IC amplifier is used as an rf amplifier.

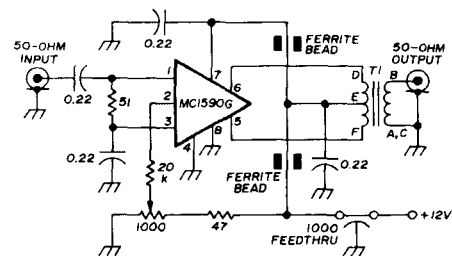


fig. 1. Broadband IC amplifier covers the frequency range from 1 to 56 MHz and provides approximately 25-dB gain with a noise figure of about 13 dB at 30 MHz. Transformer T1 is a broadband 400-ohms balanced to 50-ohms unbalanced type such as the North-Hills 556026 available from the author. All 0.22- $\mu$ F capacitors are Erie Redcaps (see text).

With such a temporary setup you *may* be able to take a first cut at reception of the satellite. If you used 47 MHz as the LO frequency the image at 54 MHz (another ham operator) might provide some occasional unwanted interference,

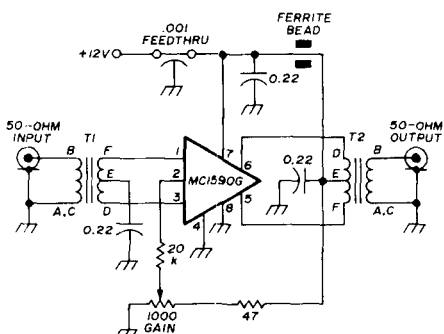


fig. 2. This broadband IC amplifier uses two broadband transformers to provide 40-dB gain with a noise figure of about 3 dB at 30 MHz. Transformers T1 and T2 are broadband 400-ohms balanced to 50-ohms unbalanced types such as the North-Hills 556026-336 available from the author. All 0.22- $\mu$ F capacitors are Erie Redcaps (see text).

but at least you would have an operating receiver system.

A second illustration is one where a measurement problem exists. A transistorized heterodyne exciter is being built. In the exciter two oscillators are mixed together and they are *supposed* to provide an output at 29 MHz from the mixer. However, it is possible to have mixed a harmonic from one of the oscillators (or both), and it is also possible to get either the sum or the difference frequency out of the mixer. You want to use a frequency counter on the output of the mixer. However, the mixer output level is far too small to operate the counter. By putting the broadband IC amplifier after the mixer, the output can be brought up to 0 dBm (0.225 volt rms across 50 ohms). This will operate most counters.

The first illustration is a case where it would be desirable to use the more

complicated broadband amplifier because of its lower noise figure. In the second example the more simple broadband amplifier probably would have been adequate. The single-transformer amplifier, having a 51-ohm resistor across its input terminals, represents an almost pure resistive impedance that is quite unlikely to upset the circuit being tested (if it is made to drive 50 ohms).

It was not intended in either example that the use of broadband amplifiers

double-sided copper printed circuit board. The copper laminate makes an excellent ground plane and provides good grounding. Note that pins 4 and 8 of the IC socket are bent down and soldered to the copper ground sheet. This provides both a low inductance ground and mechanical support for the socket.

The sockets I used for the MC1590G ICs are Robinson-Nugent type LP-5178. The 400-ohm balanced to 50-ohm unbalanced transformer is similar to the

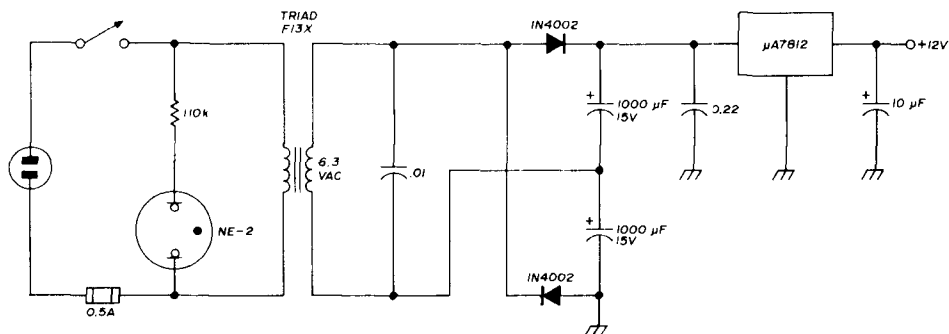


fig. 3. Simple regulated power supply for the broadband amplifiers uses a Fairchild  $\mu A7812$  voltage-regulator IC (Fairchild part number UGH7812393).

represent an optimum solution, but rather, a quick one — from which an assessment of system problems can be made.

Whether or not a broadband amplifier should be used as a preamplifier ahead of a communications receiver is open to question. It is often true that you get a better noise figure with a preamp ahead of the receiver and therefore, better sensitivity. However, the extra gain of the preamp will, in general, reduce the dynamic range of the receiver. This usually has the consequence of causing cross-modulation in some stage of the receiver.

### construction

Both broadband amplifiers are built into cast-aluminum Pomona 2905 boxes which measure about  $1\frac{1}{2} \times 2\frac{1}{2} \times 4\frac{1}{4}$  inches. These boxes are normally furnished with an aluminum top plate. In these amplifiers this plate is replaced by a piece of

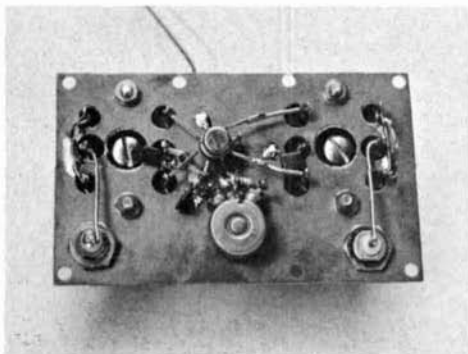
North-Hills 0600AA. The 400:50-ohm transformer I used is a special unit (556026-336) that I obtained as a project overrun item.\* The transformers are mounted above the copper-laminate plate with their pins protruding through to the circuitry side. Pins A and C are grounded and pin B connected to the adjacent BNC jack. Pin E is the center-tap of the balanced 400-ohm side with D and F the high ends.

The long spider-like legs of the IC socket (pins 5 and 6) are bent a bit and soldered directly to the D and F pins of the output transformer. This provides short, low-inductance connections and gives additional support to the IC socket.

Since the amplifiers must operate over wide bandwidths, it is important to use

\*Available for \$5.00 plus 50 cents postage, each, from Hank Olson, Box 339, Menlo Park, California 94025.

relatively large-value, low-inductance capacitors for rf bypassing and coupling. The particular types of 0.22- $\mu$ F capacitors I used are Erie Redcaps which are small ceramic units. If these capacitors cannot be readily obtained it would be better to use 0.01- $\mu$ F or 0.02- $\mu$ F ceramic discs that to use a standard foil-type 0.22- $\mu$ F capacitor such as a Mylar type. The smaller 0.01- or 0.02- $\mu$ F disc ceramic capacitors may cause some loss of gain at the lower end of the passband, but that's



Construction of the broadband IC amplifier. Note the simple, direct-path wiring for minimum inductance.

preferable to having highly inductive capacitors at the high frequency end.

The ferrite beads used to decouple the +12-volt supply line between different bypassed points in the circuit are made by a number of manufacturers, including Ferroxcube, Stackpole and Allen Bradley. They are also available in smaller quantities from Amidon Associates, 12033 Otsego Street, North Hollywood, California 91607.

A simple regulated power supply for the IC amplifiers is shown in fig. 3. Although the supply is capable of considerably more output current, the amplifiers require only about 40 mA. The use of a 6.3-volt ac filament transformer, a full-wave voltage doubler and an inexpensive three-terminal voltage-regulator IC make this supply not only a good performer, but also low in cost.

ham radio



\* 22 Channels

Mobile



\* No Relays

\* COR light



# IC-22

EAST Box 331, Richardson, Texas 75080  
A Division of A.C.S.

WEST 1251 170th N.E., Bellevue, Washington 98008  
Dealer Inquiries Invited



# using the Heath SB-650 frequency display

## with other receivers

Complete details  
on modifying  
the popular SB-650  
for use with the  
Allied SX-190  
and other receivers

Marvin R. Clinch, K2BYM, 4500 Skenandoah Drive, RD 2, Oneida, New York 13421

The introduction of the Heath SB-650 frequency display unit has provided a relatively easy means of adding a digital frequency display to the Heath SB and HW receivers and transceivers. The SB-650 provides a decimal readout of the frequency to which the receiver or transceiver is tuned to the nearest 100 Hz. This article describes a means of using the display with virtually any receiver without permanent modification of the SB-650. The entire modification effort takes less than an hour and can be removed in five minutes if you wish to return the frequency counter to its original configuration.

### the counter

The SB-650 is designed to accept three input signals from each of the three oscillators present in Heath receivers and transceivers. These are the high frequency oscillator (hfo), a switched fixed frequency oscillator; the linear master oscillator (LMO), a variable frequency oscillator of limited range; and the beat frequency oscillator (bfo), an oscillator either fixed or variable, usually around 455 kHz.

The heart of the SB-650 frequency display unit is an integrated-circuit up/down counter which provides the capability to count and add or subtract frequencies. The Heath design counts the hfo frequency, then counts down to subtract the LMO frequency. The result of this set of operations is then displayed on a set of Nixie digital displays. The

Nixie tubes display the operating frequency to the nearest 100 Hz.

### mixing combinations

A block diagram of a hypothetical receiver with only the oscillators and mixers is shown in fig. 1. There are a number of ways the oscillator frequencies may be set to receive a given frequency signal and still produce the same frequency output. First, let us assume that the last i-f is 455 kHz. The bfo frequency is also 455 kHz, plus or minus a few kHz. For the purposes of discussion assume that it is exactly 455 kHz, thus providing a zero beat with any incoming signal which is precisely tuned to the center of the i-f bandpass filters. More on this later.

Now, the mixing of two signals to generate a desired frequency can be shown in eqs. 1 and 2.

$$F_3 = F_2 - LMO \tag{1}$$

$$F_3 = LMO - F_2 \tag{2}$$

In these equations, only the difference frequency is considered. It is assumed that appropriate filtering is available to remove the sum and fundamental frequencies. Thus,  $F_3$  (455 kHz) can be generated if the LMO frequency is 455 kHz below the input signal frequency (eq. 1) or if the LMO is 455 kHz above the signal frequency (eq. 2).

Similarly,  $F_2$  can be generated if the hfo frequency is either above or below the incoming frequency ( $F_1$ ) by  $F_2$  (eqs. 3 and 4

$$F_2 = F_1 - HFO \tag{3}$$

$$F_2 = HFO - F_1 \tag{4}$$

By substituting and re-arranging terms, it

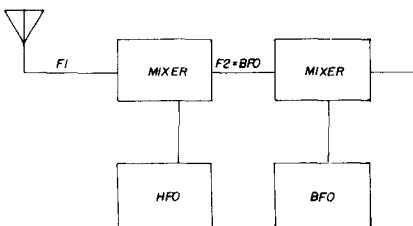


fig. 2. Simple single-conversion receiver uses only two local oscillators.

is possible to come up with four different methods of finding the input frequency  $F_1$

$$F_1 = HFO + BFO + LMO \tag{5}$$

$$F_1 = HFO - BFO + LMO \tag{6}$$

$$F_1 = HFO - BFO - LMO \tag{7}$$

$$F_1 = HFO + BFO - LMO \tag{8}$$

$$F_1 = HFO - BFO \tag{9}$$

$$F_1 = HFO + BFO + LMO \tag{10}$$

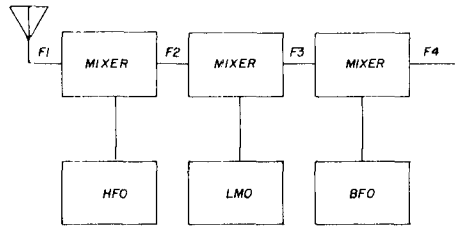


fig. 1. Simplified block diagram of a double-conversion communications receiver. Signal frequencies  $F_1$ ,  $F_2$ ,  $F_3$  and  $F_4$  are discussed in the text.

If you look at these equations for a minute you'll see that the frequency to which the receiver is tuned can be found by simply counting and adding or subtracting the various oscillator frequencies. This in no way requires an input signal from the first rf stage of the receiver. The Heath SB-650 is designed to operate with equipment meeting the parameters of eq. 7.

### modifications

With only slight modification of the input and control circuits it is possible to use the SB-650 with receivers configured to meet eqs. 6, 8 or 10. A single-conversion receiver meeting eq. 9 and configured as shown in fig. 2. may be accommodated without modifying the SB-650.

The counter portion of the SB-650 makes a complete count every 160 milliseconds. This time is divided up into four equal periods of 40 milliseconds each,  $t_1$  through  $t_4$ . During the first three of these periods the counter counts the appropri-

ate frequencies, and during the last, the final count is transferred to the display. A pair of control signals are generated by the digital timing circuits every 40 milliseconds to control these operations.

Each IC counter (SN74192N) has two input lines. With the proper manipulation of these input lines, the counter can be made to count up, count down (by

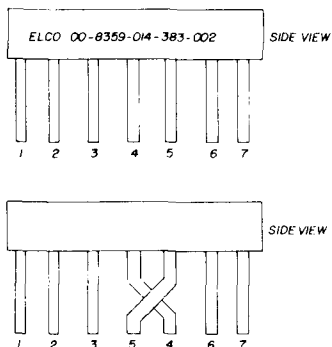


fig. 3. Modification of a 14-pin IC socket to change the counting arrangement of the SB-650. IC-12 is removed from the SB-650, this modified socket is plugged in, and IC-12 is plugged into it.

counting backwards), or not to count at all, as shown in table 1. Since the control signal is digital, the digital convention is used, a 1 being a high voltage (5 volts nominal for the SN7400 series of ICs) and a 0 being a low voltage (zero volts nominal). These logic signals are applied to the counter inputs to cause the counters to count up, down or to inhibit the count. The signal of table 1 consists of the frequency being counted. This signal is previously shaped to consist of alternate ones and zeroes.

The SB-650 has one period of count up and two periods of count down. For the Allied SX-190 receiver you need two periods of count up and one period of count down. To make the change simply follow the instructions. Take one 14-pin IC socket (ELCO 8359, 014-383-002) and bend the socket pins 4 and 5 as shown in fig. 3B. Put a piece of insulated tubing over one of the two leads just bent (heat-shrink tubing is best). File each lead to a taper so that it may be inserted into

IC socket in the SB-650. Now, remove IC-12 from the SB-650. Plug the modified socket into the IC-12 socket and plug IC-12 into the modified socket. The counter will now count up for two periods and down for one period. There is no change in the display cycle.

After the modification, the hfo input signal counts down while the bfo and LMO inputs are counted up. This does not yet meet the requirements for the SX-190. However, this is no real problem. You only have to shift the input circuits around. The hfo input has a selected fet for better high-frequency response, so you want to retain it as the hfo input (count up). To do this, you have to make two more jumpers for the appropriate logic inputs and outputs.

Take two more 14-pin IC sockets and bend the pins outward as follows: on one socket bend pins 2 and 6 as shown in fig. 4. On the other socket bend pins 3 and 13 as shown in fig. 5. File the remaining socket pins so they can be plugged into another IC socket. Now solder a 4- or 5-inch piece of insulated hookup wire to each of the bent pins on the first socket. Cover the soldering pins with insulating tubing. Tin the other end of each wire.

Slip another piece of spaghetti over the wires and solder the wire from pin 2 of the first socket to pin 3 of the other socket. Solder the wire from pin 6 of the first socket to pin 13 of the other socket. Slide the spaghetti over these connections. Remove IC-24 from the SB-650 and insert the first modified socket in its

table 1. Counting periods and inputs to the Heath SB-650 frequency display unit.

	time	input 1 (pin 4)	input 2 (pin 5)
T1	count up	1	signal
T2	count down	signal	1
T3	count down	signal	1
T4	display	1	1

place. Insert IC-24 into the new socket. Now remove IC-10 and insert the second modified socket in its place. Re-insert the IC-10 in its new socket. Now connect the terminals on the back of the SB-650 as



shown in **table 2**. With the counter modified in this way and the input connections shown in **table 2** you can use the counter for receivers which are designed to meet **eqs. 6** or **8**. The Allied SX-190 follows **eq. 8**. Simply connect the receiver outputs to their respective counter input terminals and use it as described in the SB-650 manual.

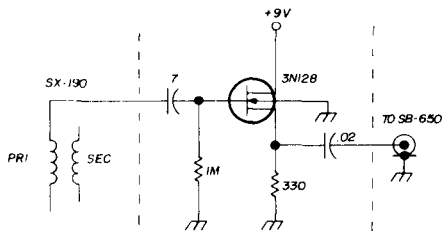
### receiver oscillators

The SB-650 input uses a high impedance fet. The Heath Company recommends you use 50-ohm coaxial cable to connect the receiver to the counter (RG-58A/U). It is possible that the loading effects of the coaxial cable may stop the oscillator from oscillating. Such appeared to be the case with the SX-190 bfo even though the counter was not connected to the cable. The buffer amplifier shown in **fig. 6** was connected to the bfo through a 7-pF capacitor to reduce any loading on the bfo. With this buffer in the circuit the oscillator worked without any problems. The same fet buffer circuit may be used for other oscillators which are sensitive to loading.

### tuning

Since the SB-650 was designed primarily for ssb equipment with fixed beat-frequency oscillators, proper technique must be used when the receiver has only a variable bfo, and is used on CW or a-m signals. First, tune the receiver to the desired signal for maximum signal strength (that is, tune it to the center of

the receiver i-f passband). Now, turn the bfo on and zero beat it with the signal. Now the incoming signal (after conversion) and the bfo are exactly the same frequency, and the SB-650 will be able to read the incoming frequency within the nearest 100 Hz. (The human ear can zero beat well below 100 Hz difference, so you don't have to worry about accuracy.)



**fig. 5.** Buffer amplifier may be useful where coaxial cable loads down the oscillator circuit.

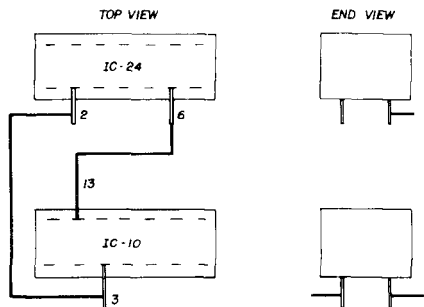
If you are receiving an a-m signal turn off the bfo and note that the frequency counter has changed frequency by the amount of bfo frequency. If you are receiving a CW signal, when you tune the bfo to provide a good CW tone the counter display will change by the bfo frequency change. Just remember that for a proper count the variable bfo must be turned on and zero beat with the incoming signal.

### other receivers

The SB-650 frequency counter can also be used for single-conversion receivers which meet either **eq. 9** or **10**. It should be cautioned, however, that for a band-switching receiver all of the bands must meet the same set of mixing relationships.

For a receiver meeting **eq. 9**, simply connect the hfo and bfo from the receiver to the counter. It would also be best to terminate the LMO input with a 50- or 52-ohm resistor to prevent noise spikes from causing faulty readout. If you have a single-conversion receiver meeting **eq. 10** modify the counter as described above and connect as shown in **table 2** for **eq. 10**.

What if you don't know which way



**fig. 4.** Simple technique for rearranging the input circuitry of the SB-650 (see text).

# L. I. Electronic Supermart

(Off the wall self service)

**New P.C. Boards — G10, 1 oz. - 1 side copper-fiber glass**  
 6" x 6", 80¢ ea. — 6 x 12, \$1.50 ea. - 12 x 12, \$2.85 ea.

**New P.C. Boards — G10, 1 oz. - 2 side copper-fiber glass**  
 6" x 6", \$1.10 ea. - 6 x 12, \$2.00 ea. - 12 x 12, \$3.75 ea.

**New P.C. Boards — G10, Fiber glass punch:**

F Pattern 4.5 x 6.5, .062 holes, 5 per 1" \$1.30

P Pattern 4.5 x 6.5, .042 holes, 10 per 1" \$1.35

G Pattern, 4.5 x 6.5, .062 holes, \$1.30

Pkg. 10 Bircher P.C. Board, metal 2" slides \$1.00

Package of 50 flea clips for above punched Boards, .062 75¢

30 ¼ or ½ W resistors, packaged 5 per value your choice of values \$1.00

25-1W resistors, packaged 5 per value, your choice of values \$1.00

15-2W resistors, packaged 5 per value, your choice of values \$1.00

5 ¼ or ½ W, 1% resistors, packaged 5 per value, your choice of values .50

5 ceramic disk caps, .001-01, packaged 5 per value, your choice of values .50

5 mica dip caps, 1 pf-150 pf, packaged 5 per value, your choice of values .50

5 mica dip caps, 180 pf-820 pf, packaged 5 per value, your choice of values .75

5 mica dip caps, 910 pf-1500 pf, packaged 5 per value, your choice of values \$1.00

Wire Kit #22 solid PVC, 6 spools, 6 colors, 50' ea. spool \$3.50

Wire Kit #22 stranded PVC, 6 spools, 6 colors, 50' ea. spool \$3.50

Wire Kit #24 Solid PVC, 6 spools, 6 colors, 50' ea. spool \$3.50

Wire Kit #24 stranded PVC, 6 spools, 6 colors, 50' ea. spool \$3.50

10' — Ten cond. ribbon wire, color coded, #22 or #24, stranded \$1.50

C & K #7101 mini switch, SPDT on-on \$1.05

C & K #7103 mini switch, SPDT on-off-on \$1.20

C & K #7201 mini switch, DPDT on-on \$1.35

C & K #7203 mini switch, DPDT on-off-on \$1.55

Alco 105D MST momentary on-off-momentary on \$1.25

Central Lab DPDT push momentary. SPEC. 4/\$1.00

Connectors, PL259, \$.45; PL258, \$.70; 175U or 176U, \$.20 ea.; UG 88 cu., \$.50; UG 201 a/u (N to BNC adapter), \$.75; RCA to UHF, \$.90.

Encapsulated chokes 1uh to 5 Mh, choice 3/\$1.00

Vario type mini bridge rectifiers, approx. ½" sq. size: 2 amp. - 50 v., \$1.25; 4 amp. - 50 v., \$1.25; 6 amp. - 50 v., \$1.25; 2 amp. - 100 v., \$1.25; 4 amp. - 100 v., \$1.25; 6 amp. - 100 v., \$1.25; 2 amp. - 200 v., \$1.50; 4 amp. - 200 v., \$1.50; 6 amp. - 200 v., \$1.50; 2 amp. - 400 v., \$1.50; 4 amp. - 400 v., \$1.50; 6 amp. - 400 v., \$1.50.

Triacs — thermo tab package — 1 amp. - 400 v., \$.80 ea.; 3 amp. - 400 v., \$1.40 ea.; 4 amp. - 200 v., \$1.20 ea.; 6 amp. - 200 v., \$1.40 ea.; 6 amp. - 400 v., \$1.60 ea.; 6 amp. - 500 v., \$1.80 ea.; 8 amp. - 200 v., \$1.60 ea.; 8 amp. - 500 v., \$1.80 ea.

To-5 case, 1 amp. - 200 v., \$.70 ea.; 1 amp. - 400 v., \$1.00 ea.

SCR 200 v. - 8 amp. thermo tab \$80 ea.

SEND SELF ADDRESSED ENVELOPE FOR FREE MAILER. INCLUDES MANY HUNDREDS OF ITEMS NOT LISTED ABOVE.

Send check or money order - include 60¢ to cover parcel post and handling. UPS shipping available. Minimum order \$4.50.

**FREE BONUS WITH EACH \$10.00 ORDER**

**50' SPOOL 600 V. #22 PVC WIRE**

## KRP

### ELECTRONIC SUPERMART, INC.

219 WEST SUNRISE HIGHWAY  
 FREEPORT, L. I., N. Y. 11520  
 516-623-3346-9

your receiver is designed? Just use the counter to measure your local-oscillator frequencies. Terminate the LMO and bfo inputs with 50-ohm resistors. Now, tune the receiver to some appropriate frequency and connect the counter hfo input to each of the receiver oscillators. Calculations will show the frequency arrangement of the receiver and which equation the receiver meets.

## other uses

The Heath SB-650 frequency display is

table 2. Input connections to the modified SB-650 frequency display unit.

SB-650			
input	eq. 6	eq. 8	eq. 10
HFO	HFO	HFO	none
BFO	LMO	BFO	BFO
LMO	BFO	LMO	HFO

Input connections to unmodified SB-650

SB-650		
input	eq. 7	eq. 9
HFO	HFO	HFO
BFO	BFO	BFO
LMO	LMO	none

a most versatile piece of equipment and can be used with many receivers. It can also be used as a standard frequency counter up to 30 MHz with resolution of 100 Hz. One unit tested by WA2DJU ran up to nearly 50 MHz with only a slight degradation of sensitivity. Transmitter frequencies may also be counted if the signal is kept to a point where the counter is not damaged. However, take precautions to make sure that the ratings quoted by Heath are not exceeded. The input mosfet is tough but it cannot be abused.

I would like to express my appreciation to Edward A. Murphy, a serious SWL, who brought up the original question about the SB-650's added capabilities and who was willing to gamble on my suggestions. Thanks are also due to Mr. E.J. Cupples, WA2DJU, who tested the frequency response of the SB-650 and provided the fet buffer amplifier circuit.

ham radio

# SBE

## SB-50

50.050-50.280 MHz

SSB and AM . . .  
push button  
selection.

# six shooter

SBE scores again, encourages occupancy of the higher frequency amateur bands with moderately priced, full-feature equipment.

Now—hit those challenging 6 meter targets—be there—be ready instantly for those thrilling DX breakthroughs and skip happenings. In the interim, join a select group who have discovered that mobile SSB on the low end of 6 approaches the ideal for solid, uncluttered local contacts. Here now—from SBE, SB-50, a very tidy package that provides all the ammo you need for 6 meter bullseyes! **Synthesized frequency selection** is an example in point: No crystals to buy, no concern about VFO stability. The band between 50.050 and 50.280 MHz is divided into 23 channels, spaced at 10kHz intervals. A clarifier control allows the master crystal frequency to be moved anywhere between two 10kHz points. SBE, SB-50, is a transceiver but switching to RIT enables a drifting signal to be zeroed without affecting transmitter frequency. A fine receiver with high sensitivity insures that the weak ones will be heard during band openings. Exclusive SBE "Super Shape" BP filters provide excellent SSB/AM response, both transmit and receive. A lighted panel meter monitors what's coming in—and going out. Squelch, noise limiter contribute to performance. Power input is 20 watts p.e.p. on SSB, 8 watts on AM. Equipment is all solid state, easy on car battery. Dynamic microphone is provided.

SEE IT AT YOUR SBE DEALER



SYNTHESIZED!  
No crystals  
to buy.



Tunable  $\pm 6$ kHz,  
any 10kHz  
point.

Receiver  
frequency  
separately  
adjustable  
with RIT



Lighted meter  
shows "S" units  
receive—power  
output SSB/AM



SBE exclusive  
"Super Shape"  
Bandpass  
SSB filter



All solid state.  
Low drain on 12V  
car battery.

**SBE**

LINEAR  
SYSTEMS, INC.  
220 Airport Blvd.  
Watsonville, CA  
95076.

# logic oscillator

## for multi-channel crystal control on vhf fm

Using digital  
TTL ICs in a  
logic oscillator  
to provide  
a bank of  
selectable  
crystal frequencies

The acquisition of several Motorola fm mobile rigs, which are single-channel vacuum-tube rigs, required modification to include at least six additional receiving and transmitting frequency controls. Since the space to include the additional tubes and components is at a premium within these chassis, TTL ICs seemed to be appropriate for the additional circuitry.

These components are mounted on a small board which has a modified FT-243 crystal holder, epoxied to one end, allowing it to plug into the Motorola crystal socket. The wiring to the 12-volt power supply and a frequency selector switch have separate connections which will be described later.

### the circuit

The circuit consists of six individual crystal oscillators which may be adjusted exactly to the required frequency by a trimmer capacitor, C1. The input to each oscillator is turned on when the selector switch is set to the desired crystal frequency. Only one of the oscillators is in operation at one time, as will be explained using channel 1 as an example. In this discussion a logic 1 is a plus voltage and a logical zero is ground.

The frequency selector switch is set to channel 1, grounding the logical 1, provided by R13 at the input of inverter U5, to a logical zero. The conversion at the output of U5 presents a logical 1 to an input of U1, turning on the oscillator. The oscillator output is fed to another inverter, U4, which presents a buffered output to the receiver or transmitter it is used with. All channel outputs are in parallel.

A TTL logic level of 3 volts average is the rf level at the combined oscillator outputs; this provides sufficient drive to the original oscillator grid. This output is a square wave but offers no problem, because the original vacuum-tube oscil-

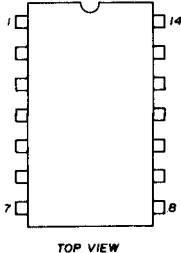
Stirling Olberg, W1SNN, 19 Loretta Road, Waltham, Massachusetts 02154

lator now acts as a buffer and since it has a tuned output circuit, it provides a sinusoidal output.

Five-volts dc is required for the logic circuitry. This is controlled by the simple voltage regulator built around transistor Q1. This regulator insures that the 5 volts for the logic circuits will be held stable when operating from an auto-battery charging system.

### installation

The control wiring in my car consisted of a section of seven-conductor shielded intercom cable. The frequency selector switch is located at the control head, near the front seat of the car. In this installation the receiver and transmitter have independent frequency controls allowing cross channel listening and operating. If this feature is not desirable,



offering does not add much to improve a piece of equipment simply because it uses ICs and some well known logic facts. The fact is, however, that it adds an indefinite number of channels, in a very limited

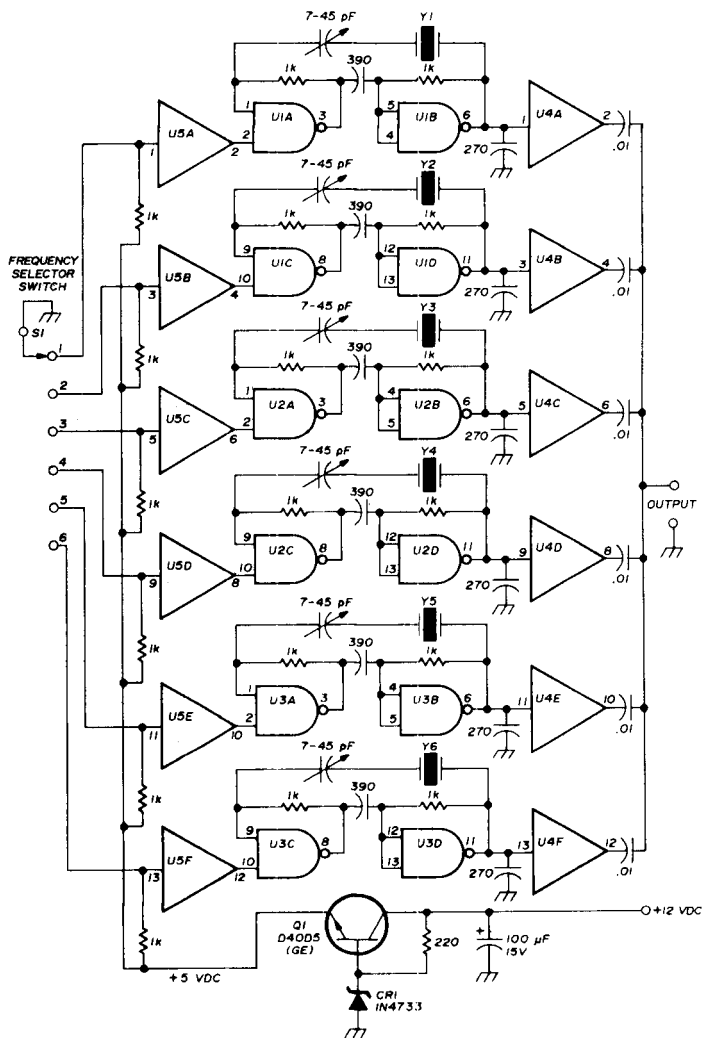


fig. 1. Schematic diagram of the 6-channel crystal-controlled oscillator. Simple control is possible because of the logic of the TTL ICs which are used in the circuit. ICs U1, U2 and U3 are SN7400N quad NAND gates; U4 and U5 are SN7404 inverters. Crystals are Jan Crystals type 4C-6/U, frequency as required. Switch S1 is a Mallory 8511496. Although not shown on the drawing, pin 14 of all ICs is connected to the regulated 5-volt line; pin 7 of all ICs is connected to ground.

the two switches may be ganged together. The 12-volt dc power was supplied from the filament string.

### summary

It might seem, at first glance, that this

space, with a modest amount of effort. It can be built and installed in one evening's work into almost any receiver or transmitter which requires additional channels.

ham radio



# Antenna **KING**

## HYGAIN TH6DXX

*Wide space 4-element  
Tilt boom to mast  
Tiltable clamp*

**\$179.95\***

**BONUS COUPON  
FREE**

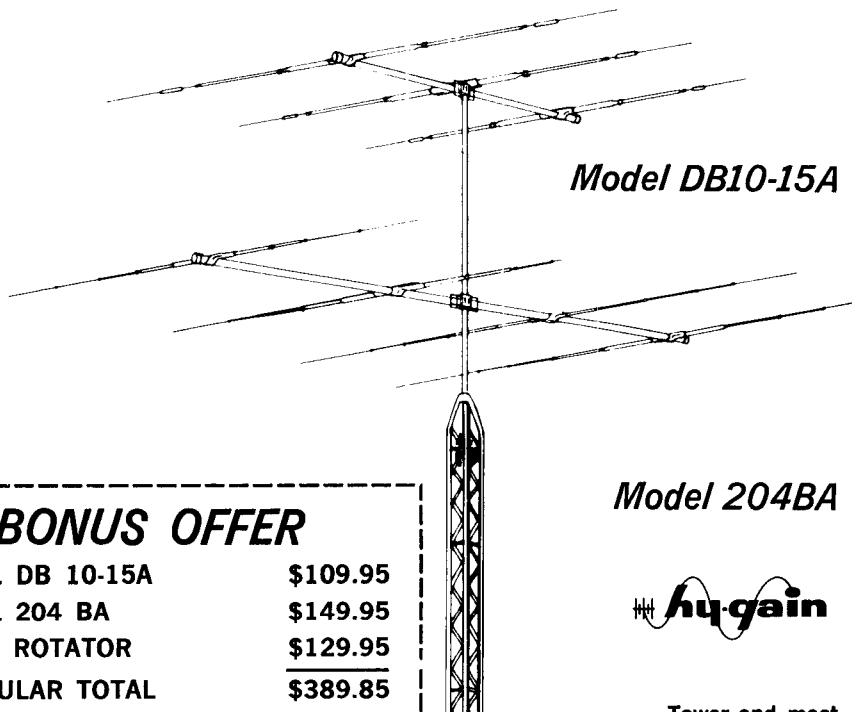
**1 BN-86 balun  
100 ft. RG8 low loss foam  
WITH EVERY TH6DXX  
AND THIS COUPON**

\*FREIGHT PREPAID in Continental USA

**ANTENNA KING**  
Box A  
Lomita, Calif. 90717  
Phone (213) 534-"KING"

# KING

## SIZED SPECIAL



### **BONUS OFFER**

MODEL DB 10-15A	\$109.95
MODEL 204 BA	\$149.95
HAM-M ROTATOR	\$129.95
REGULAR TOTAL	<u>\$389.85</u>

**KING SIZED  
PACKAGE SPECIAL**

**ONLY \$329.00**

*Model 204BA*

**hy-gain**

Tower and mast  
not included

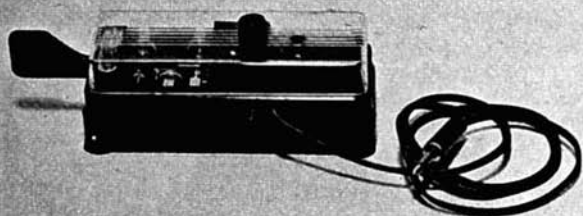
\*FREIGHT PREPAID in Continental USA

## ANTENNA KING

Box A

Lomita, Calif. 90717

Phone (213) 534-"KING"



## solid-state bug

An improved  
version of the  
semi-automatic key  
using the principles  
of the  
solid-state switch

Arthur J. Glazar, K2FV, 31 Amapola Lane, Kings Park, New York 11754

Automatic CW generators are not for me. I enjoy hand sending and suspect there are many other operators who are turned off by anything more automated than a bug. But the bug can stand improvement, and this article describes one operator's approach to modernizing the semi-automatic key. I wanted to maintain the bug's basic operating characteristics and features (automatic dots, manual dashes, and portability) while eliminating its shortcomings (mechanical dot system, unreliable contacts, and awkward speed control). The design goals were: conveniently adjustable speed during operation, all solid-state design, low-drain battery operation, single unit construction and a "feel" identical to a conventional bug. The result is the solid-state bug shown in the photograph. The circuit is built into a modified Lafayette bug.\* The dot spring and damper were removed to make room for the five-transistor circuit shown in fig. 1.

### features

Dot speed is knob-controlled and adjustable from 4 to 22 dots per second. The dot weight control is a screwdriver adjustment to avoid confusion during operation and is variable from about 25 to 100 percent weight. Once set, the

\*Lafayette Radio Electronics Catalog number 99P25520, \$14.75.



weight remains constant over the speed range. At maximum weight the dots merge, and the key becomes a sideswiper rather than a bug. This mode of operation, may hold some appeal to mobile marine operators.

The circuit operates from a 9-volt transistor radio battery and draws no current during key-up conditions, thus assuring long battery life and eliminating the need for an on/off switch. The output

capability the resistor values should be halved; to halve the current the resistor values should be doubled, and so forth. Because battery drain increases in direct proportion to current requirements, the largest resistor values should be used. With the values shown, key-down battery drain is less than 6 mA. At that rate, battery life should approach shelf life.

Note that bilateral operation of the key depends on the ability of the battery

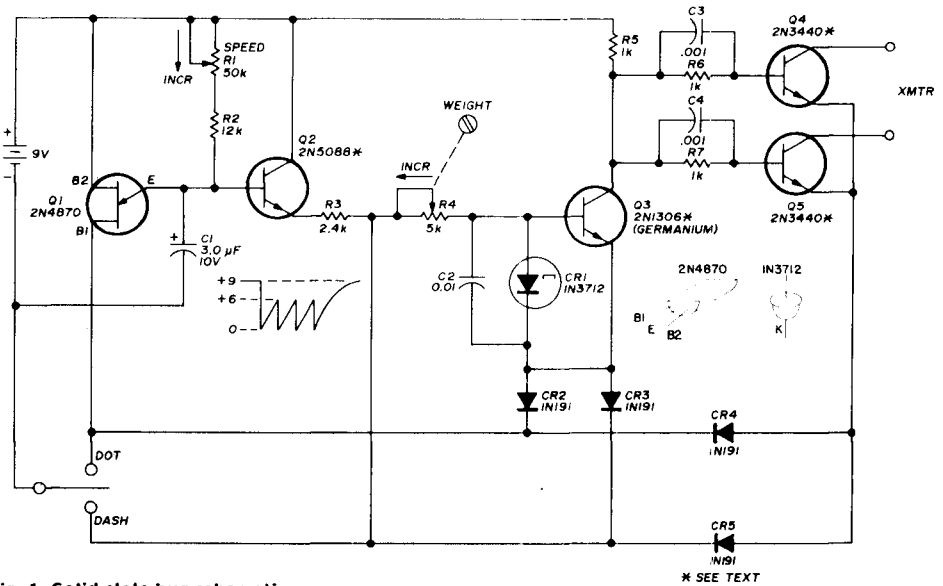


fig. 1. Solid-state bug schematic.

of the bug is, in effect, that of a solid-state relay. It is a bilateral transistor switch capable of keying circuits up to 250 volts at 15 or more mA. Polarity need not be observed when connecting the bug to the keyed circuit. Transistors less expensive than the 2N3440 may be substituted for Q4 and Q5 if only low-voltage circuits are to be keyed. The 2N3440 has a  $V_{CBO}$  of 300 volts.

The amount of current that can be keyed is determined by resistors R5, R6, and R7. With the values indicated (1k) the circuit should handle at least 15 mA and perhaps double that amount; the maximum being a function of transistor gain.\* To double the current-carrying

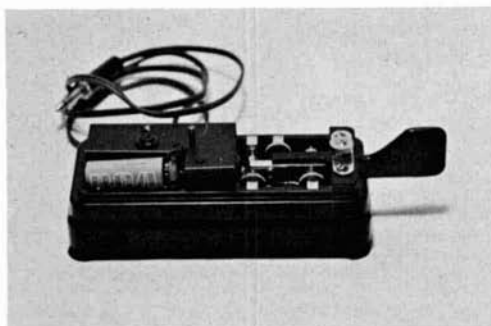
to float with respect to the keyed circuit. Therefore there must be no direct connection between the battery and any transmitter voltage bus, including ground.

### circuit

The bilateral output switch<sup>1</sup> is closed when Q3 is off, and base current is therefore supplied to Q4 and Q5 via R5, R6, and R7. When a dash is made, Q3 is turned off by returning the junction of R3 and R4 to battery negative, thus removing its base drive. Closing the dot contact starts the dot generator, Q1,

\*Actually, the *inverted* gain of Q4 and Q5. See reference 1.

which applies negative-going dot pulses (via emitter-follower Q2) to the base of Q3, thus turning it off. The dot generator is a unijunction transistor relaxation oscillator.<sup>2</sup> It is idle until the dot contact is closed, which connects the base 1 (B1) terminal to battery negative and permits it to oscillate. As long as the dot contact is closed, the voltage on C1 approximates a linear saw-tooth waveform, oscillating between about 0.6 volt (with respect to



The bug with plastic cover removed, showing the battery at left front, the speed-pot shaft protruding vertically from the chassis, and the weight control to the left of the speed pot.

battery negative) and 6.2 volts, the exact amplitude being a function of Q1 parameters.

The oscillation frequency is determined by R2, C1, and the speed-control pot, R1. The sawtooth on C1 is applied through emitter follower Q2 to a variable threshold level detector comprising R3, R4, tunnel diode CR1, and transistor Q3.<sup>3</sup> The high input impedance of the emitter follower (roughly 700k) prevents capacitor loading.\* The voltage at which the level detector trips is determined by the setting of the weight control, R4. Q3 is turned off when the sawtooth is below the preset level. The higher the threshold level (i.e., the higher the value of R4), the longer the dot duration becomes.

\*The 2N5088 is an inexpensive plastic transistor with an  $h_{FE}$  of about 300. Any other npn with a gain approaching 100 can be used for Q2. Q3, however, must be a germanium npn.

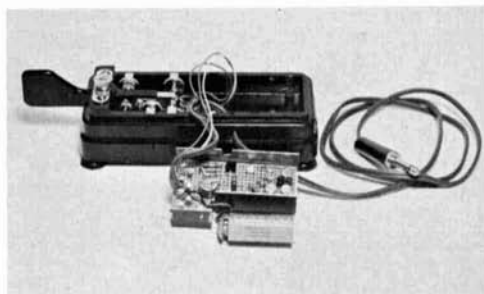
Note that Q3 emitter is permitted to return to battery negative only during keydown: through CR2 for dots, and through CR3 for dashes. Thus, Q3 cannot draw current during keyup. A similar situation exists for the emitters of Q4 and Q5, which return to battery negative through CR4 for dots and through CR5 for dashes. The purpose of this latter arrangement is to *prevent* the dots from self-completing, thereby preserving the feel of a standard bug.

Capacitor C2 is essential to prevent stray rf from tripping the tunnel diode. Capacitors C3 and C4 were found, by trial and error, to be most effective in further desensitizing the circuit to stray rf.

### construction

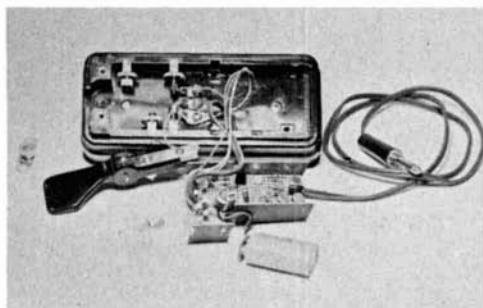
The circuit is built on a small L-shaped piece of 0.1-inch perforated board. To keep component height to a minimum no sockets are used. The board is mounted upside-down on 5/16-inch spacers inside a U-shaped chassis. The inverted U rests inside the bug's base and conceals all the circuitry. An extra fold in the U permits easy access to the battery. The chassis simply rests in the base with no fastening; the plastic cover affords adequate hold-down, since it fits snugly on the base. For traveling, a rubber band around the entire unit works nicely to keep everything secure.

The speed-pot shaft extends through the plastic cover, and the weight adjustment simply requires a hole for screw-driver access.



Circuit components shown when the chassis is lifted from the base and inverted.

The photos should give sufficient information to duplicate the solid-state bug. One suggestion may save time for someone attempting to disassemble a Lafayette bug; the base is weighted with three pieces of sheet iron, which fit snugly in the underside of the base. They are held by two screws and considerable friction. (The screw heads are visible in the top view photo of the disassembled bug.) Once the four rubber feet and the



A top view of the disassembled bug. Two Phillips-head screws can be seen, which hold the sheet-iron weights in the base. Toward the right can be seen slots where original binding posts were removed to make room for the chassis.

two screws are removed, the sheet iron must be forcibly dislodged by poking through the screw holes and by slamming down the base.

With the sheet iron out of the way, the contact wiring is accessible and must be modified to spdt operation. I found it necessary to carve away some of the plastic base material to accommodate the re-routed wiring, but this was easily accomplished with a sharp wood chisel. The dot, dash, and common connections are brought to the top surface of the base by means of three countersunk flathead 6-32 screws. On top, solder lugs are used to make connection to the circuit.

#### references

1. "GE Transistor Manual," (Seventh Edition) General Electric Company, Syracuse, New York, 1964, Chapter 3.
2. Ibid., Chapter 13.
3. Ibid., Chapter 14.

ham radio

**NES**

#### NURMI ELECTRONIC SUPPLY

1727 Donna Road · West Palm Beach, Florida 33401  
PHONE — (305) 686-8553

**HEP 170** — 2½ Amp, 1,000 Volt diodes. Factory packs of 10. Free HEP Cross Reference with HEP 170 order. 10/\$3.00 — 100/\$25.00

#### COMPUTER GRADE ELECTROLYTIC CAPS

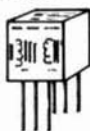
Screw		Terminals —			
1,400mf	100V	\$1.25	18,000mf	10V	\$1.10
2,000mf	50V	1.10	18,000mf	25V	1.25
3,000mf	35V	1.00	29,000mf	10V	1.25
3,400mf	25V	1.00	34,000mf	50V	2.00
4,800mf	25V	1.25	39,000mf	10V	1.35
6,000mf	10V	.95	90,000mf	20V	2.00
17,000mf	25V	1.25	240,000mf	10V	3.00

**RG — 174/U** — Mini 50 ohm coax.  
Mfg. — ITT \$2.00/100 Ft.

**TO — 5 SIZE TRIM POTS** — Spectrol No. 82-3-8 or equivalent. Available values: 100, 250, 500, 1,000, 2,000, 5,000 ohms. Mix or match price only: 10/\$5.00 — 25/\$10.00 — 100/\$30.00

#### 600 OHM CT: 600 OHM CT TRANSFORMER —

Miniature ½" cube. ±1 db 300 Hz-25KHz, ±3 db 100Hz-75KHz, 300 mw. Good for phone patches and lots of other audio uses, fits inside any telephone. Broadcast Engineers love this one. 5/\$4.95 — 10/\$9.00



**BELDEN TEST LEAD WIRE** — 20KV breakdown, 5KV Working, 18 ga., super flexible, Available in Red, Black, Gray, Blue, White, Yellow & Green. Designed for meter leads, test leads, clip leads, etc. Cut to your length. Minimum of 10 feet per color. Factory Fresh! Belden No. 8899. 6¢/Foot — 100 Ft./\$5.00

**RCA 40673 DUAL GATE MOS FET** —  
Only — 5/\$6.00

#### MAGNET WIRE — SUPER SPECIAL —

Sold by the spool. 16ga-32ga average spool 7 lbs. 33ga-47ga average spool 2 lbs. ONLY:  
16-32 ga. spool . . . . . \$5.00  
33-47 ga. spool . . . . . \$1.50

— TAKE 20% OFF \$20 MAGNET WIRE ORDER —

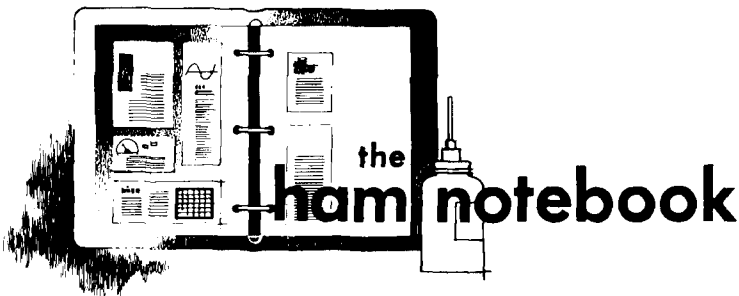
#### 26 GAUGE TWISTED PAIR TEFLON WIRE —

Tinned, solid, great hook-up and speaker wire. 1,100 foot factory sealed spools. Only \$4.75

WE ARE FACTORY AUTHORIZED DISTRIBUTORS FOR MOTOROLA, BELDEN, KEYSTONE, PHILMORE, AIRCO SPEER, etc.

———— WE GUARANTEE WHAT WE SELL!!!! ————

We ship UPS whenever possible. Give street address. Include enough for postage, excess refunded in cash. Florida residents include 4% Tax.



## crystal control and narrow shift RTTY with the Heath SB-series

The RTTY enthusiast interested in narrow shift auto-start faces two problems with the Heath SB-Series of receivers and transceivers. The first problem is modifying the receiver to receive narrow shift with the optional 400-Hz filter. This filter, unlike the ssb filter, is centered at 3395.4 kHz and will not pass the standard tones of 2125 and 2295 Hz. It is therefore necessary to move the bfo injection frequency to 3393.190 kHz. This frequency is somewhat critical and dependent on the actual filter bandpass. It is possible to use a bfo crystal provided with the receiver to provide the proper injection frequency.<sup>1</sup>

Although the Heath LMO is known for its extremely good stability, it will not hold the frequency well enough to provide unattended auto-start operation over a period of weeks or months. There are two solutions to this problem. One is to crystal lock the receiver. This is not quite the same thing as crystal control. In the crystal lock mode, a crystal is tied from the grid to ground of the variable oscillator tube. The oscillator tuning then allows varying the frequency about 50 Hz either side of the frequency determined by the crystal. The fine tuning effect and

the simplicity of this method make it quite desirable.

On the negative side, the crystal lock method does not allow for quick change from one auto-start frequency to another, and in many cases it is not possible to pull the crystal far enough to hit the desired frequency. It is usually possible to pull the frequency about 50 Hz. It may be difficult to purchase a crystal this close to the desired frequency. Also, crystals and oscillators have been known to change enough that the crystal lock method fails after a time. However, this is unusual.

I had the problem that the high-quality (high-price) crystal I ordered would not hit the frequency in the crystal locked mode. I decided that the XT-4 oscillator<sup>2</sup> with its low-capacitance circuit would allow more variation in output from a given crystal than any other oscillator that I was familiar with.

The XT-4 was built, and the output frequency was adjusted to center the receiver on the auto-start frequency. I had the receiver crystal controlled on frequency now, but receiver sensitivity was degraded by insufficient mixer injection from the XT-4. Several cures were tried, such as tuned output on the XT-4, but injection was insufficient in all cases until a buffer stage was added.

Fig. 1 shows the modified XT-4 circuit with the frequency-shift keyer removed. It would be advisable to review Hoff's article on the XT-4 concerning parts and

calculation of crystal frequency. He also gives ordering information for the crystals which should be followed carefully. For general information, I ordered a 5425.0 crystal for the 14075 kHz auto-start frequency. When placed in the XT-4, and

room where wide temperature variations occur, it may be necessary to temperature compensate the oscillator to realize the high degree of stability necessary for unattended auto-start.

Robert Clark, WA4VYL

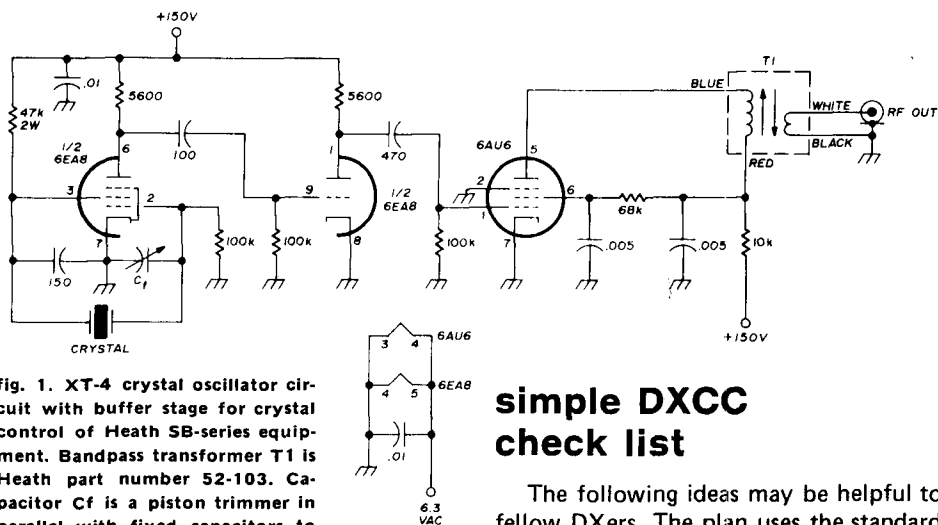


fig. 1. XT-4 crystal oscillator circuit with buffer stage for crystal control of Heath SB-series equipment. Bandpass transformer T1 is Heath part number 52-103. Capacitor C1 is a piston trimmer in parallel with fixed capacitors to adjust oscillator to desired frequency.

properly centered on frequency, the crystal oscillator output measured 5424.229 kHz. It was not possible to pull the crystal this far (almost 800 Hz) in the crystal lock mode, but was no problem at all with the XT-4. In fact, I could have moved it considerably farther.

The bandpass transformer, T1 is available from Heath (No. 52-103) for \$4.30. The rf output from the modified XT-4 is routed to a ceramic switch which selects either the original LMO or one of several XT-4 oscillators. The oscillator, buffer, power supply and regulator were built in a 4 x 6 x 3-inch Minibox. It is a bit crowded, but everything was made to fit. It is important that the crystal be shielded from rf. If the oscillator is used in a

#### references

1. Robert Clark, K9HVW, "Narrow-Shift RTTY Reception with Heath SB Receivers," *ham radio*, October, 1971, page 64.
2. Irvin M. Hoff, W6FFC, "Crystal Controlled RTTY," *RTTY Journal*, December, 1967, page 4.

## simple DXCC check list

The following ideas may be helpful to fellow DXers. The plan uses the standard ARRL Countries List (Operating Aid No. 7). By simply marking it appropriately, immediately to the *left* of the call-letter prefix which is followed by the country identity, you have a progressive and updated record of your DXCC status. You know at a glance if the country is: needed, worked, confirmed (QSL received), or credited (officially counted).

The legend of symbols I use for this is as follows:

- = worked
- + = confirmed
- ⊕ = credited to DXCC count

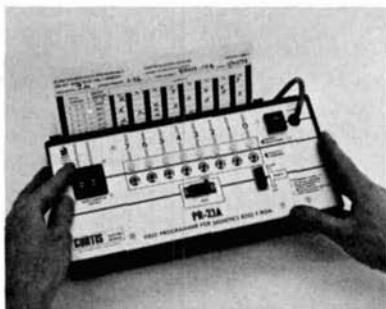
To re-cap, a short horizontal mark for *worked*, add a short vertical mark through the horizontal mark for *confirmed* when the QSL card is received, and circle the ⊕ when official credit is received.

As you near Honor Roll status, you will want to identify those countries which have been deleted as current countries. Simply draw a slightly larger circle to form a double-circle symbol to easily spot those deleted countries.

Lowell White, W2CNO

# new products

## ROM programmer



An inexpensive portable field programmer for the Signetics 8223 256-bit field-programmable ROM has been introduced by Curtis Electro Devices. Called the PR-23A, this instrument allows manual programming of the 8223 in the laboratory, in the factory or in the field by unskilled personnel.

To program a device, the operator places a blank F-ROM in the test socket, selects the appropriate octal word address and presses one of eight output push-buttons to open the selected fusible link. Program sequence is automatic and independent of operator timing to ensure uniform program conditions. A typical pattern can be programmed in about five minutes.

Eight indicator lamps provide a continuous display of output states. A slot at

the rear of the instrument holds the truth table in proper alignment with panel markings.

The PR-23A is priced at \$199.50. A 240 Vac model also is available. For more information contact Curtis Electro Devices, Inc., Box 4090, Mountain View, California 94040, or use *check-off* on page 94.

## rackmounted directional rf wattmeter

The new Bird model 4372 ThruLine® Directional High Power Wattmeter covers 25 to 500 MHz from 1-watt full scale to 500-watts full scale without changing plug-in elements. This universal flexibility is accomplished by eight easily switched ranges: Four forward power levels (10-500 watts) and four reflected power values (1-50 watts). The lower reflected power ranges are also available for forward readings by reversing rf connections.

In operation, a precision machined 50-ohm reference line-section is inserted between the signal source and the antenna, load or other component under power test. Directional power sensors incorporated in this line-section produce dc signals proportional to both incident and reflected rf main-line power, for readout on scales calibrated in watts as well as dB. All variable measurement parameters — frequency range, forward/reflected power and full scale values — are switched right on the front panel. The read-out unit and the line-section may be separated by as much as 3 feet for operational convenience.

The new multi-range model 4372 ThruLine Wattmeter is ideal for CW, a-m, fm, ssb and tv signals, for design and maintenance of oscillators, transmitters and transceivers, for antenna matching, and design and development of rf components such as filters, sensors, loads and

power transistors. It requires neither ac nor battery power.

Measurement accuracy is  $\pm 5\%$  on all ranges from 0-1 watt to 0-500 watts at 25-500 MHz. Model 4372 fits standard 19-inch racks and takes 5¼-inches of panel width. For more information, write to Bird Electronic Corporation, 30303 Aurora Road, Cleveland (Solon), Ohio 44139, or use *check-off* on page 94.

## automatic six-channel scanner

Hamtronics has announced a new scanner kit to help vhf amateurs and monitor buffs complete the project presented on page 22 of the February, 1973, issue of *ham radio* magazine. The scanner is compatible with any crystal-controlled receiver with a squelch circuit as described in K2ZLG's article. Although designed primarily to operate with the Hamtronics Mark II FM Receiver and Six-channel Adapter, it is relatively easy to convert the oscillator circuit of any receiver or the receiver oscillator section of any transceiver to diode switching to allow the scanner to automatically crystal-switch. Channel indication may be provided, if desired, by a digital readout or discrete lamps. Full conversion instructions for various sets are given in the magazine article.

The kit comes complete with a 3-3/4 x 3-3/4-inch etched pc board (undrilled), all integrated circuits, transistors, resistors, isolation diodes, zener diodes and capacitors required to complete the unit. Also included are a schematic diagram and a pc board layout diagram. Price is \$14.95 postpaid anywhere in the U.S. or Canada.

Available accessories include a seven-segment digital readout, priced at \$5.00, and a number-66 twist drill (use in drill press to avoid breaking), \$0.65. Send orders with remittance to Hamtronics, Inc., 182 Belmont Road, Rochester, New York 14612. Orders shipped promptly on receipt. For faster delivery, add 50 cents for air mail postage differential. For more information, use *check-off* on page 94.

## instant-weld evaluation kit



Oneida Electronics has recently made available a new five-pack selection of its permanent bond *Instant-Weld* alpha cyanoacrylate adhesive. The powerful, single component adhesive is said to have a tensile strength up to 5,000 pounds per square inch in each drop.

Four different formulas are available to provide users with the one best suited for the types of materials they want to bond. The five-pack Evaluation Kit contains all of the types, conveniently packaged in 2-gram tubes totalling up to 760 one-drop applications. Red Label 101, for use when bonding any combination of plastic, rubber, ceramic or glass; sets in 10 to 20 seconds. Blue Label 102, for use when bonding any combination of plastic, rubber, ceramic or glass; sets in 45 to 60 seconds. Yellow Label 747, for use when metal is one or both of the bonded components, such as metal to plastic or metal to rubber, glass, etc; sets in 30 to 45 seconds.

Green Label 240, holds porous and nonporous materials. (Other grades of *Instant-Weld* bond non-porous materials — metals, plastics, glass, porcelain, hard woods, rubber, etc.) *Instant-Weld* 240 holds all of these materials plus leather, paper, soft woods and many fibrous substances; sets in 60 to 120 seconds.

The kit has been made up to help users find the most effective type for their specific bonding application. It's available from Oneida Mfg., Inc., Meadville, Pennsylvania 16335 for \$7.95 postpaid. For more information, use *check-off* on page 94.



# know this sign



To most people this is a symbol from Greek mythology. But to hundreds of thousands of active amateurs, Pegasus is the symbol of the Radio Amateur CALLBOOK the single most useful operating reference for active amateur stations. The U.S. Edition lists over 285,000 Calls, Names and Addresses in the 50 States and U.S. possessions while nearly 200,000 amateur stations in the rest of the World are listed in the DX edition.

Both editions contain much other invaluable data such as World Maps, Great Circle Maps, QSL Managers around the World, ARRL Countries list and Amateur Prefixes around the World, Time information, Postal Information and much, much more. You can't contest efficiently, you can't DX efficiently, you can't even operate efficiently without an up to date CALLBOOK.

To make the CALLBOOK even more valuable, three supplements are issued each year which bring your copy completely up to date every three months. These are available at a modest extra cost. Full details in every CALLBOOK.

Get your copies of the big new 1973 CALLBOOKS today.

**US CALLBOOK**  
(less service editions)  
**Just \$8.95**

**DX CALLBOOK**  
(less service editions)  
**Just \$6.95**

**US CALLBOOK**  
(with service editions)  
**\$14.95**

**DX CALLBOOK**  
(with service editions)  
**\$11.45**

Mail orders add 50¢ per CALLBOOK postage and handling.

See your favorite dealer or send today to:

WRITE FOR  
FREE  
BROCHURE



RADIO AMATEUR  
**callbook** INC.

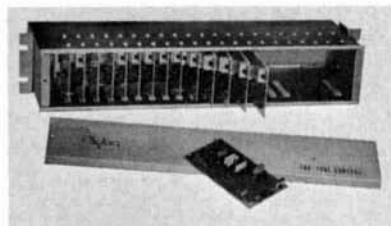
Dept. E 925 Sherwood Drive  
Lake Bluff, Ill. 60044

## scanner-monitor servicing data

The new Howard W. Sams publication, *Scanner-Monitor Servicing Data*, provides up-to-date servicing data on vhf fm scanners and monitors. This new book features the most comprehensive gathering of service data for 30 of the most popular vhf and uhf receivers in the field, including such well-known trade names as B&K, Browning, Johnson, Midland, Pace, Pearce-Simpson, Penneys, Realistic, Sonar and Teaberry.

*Scanner-Monitor Servicing Data* provides valuable up-to-the-minute servicing information in the form of schematics, voltages, alignment, parts lists, crystal formula data, pictorial presentations, general troubleshooting information, etc. This handy new manual is priced at \$4.95 postpaid, from Comtec Books, Greenville, New Hampshire 03048.

## repeater tone panel



Alpha Electronics has announced its new multi-frequency repeater tone panel for use on repeater systems where tone control of numerous functions is required. Replacing the popular RCP-760 and RCP-770 tone panels, the new Alpha RCP-780 is considered the most modern, universal and compact tone control panel available. The unit is capable of handling up to 18 separate tone-controlled functions, using a modular plug-in card for each function.

A variety of tone system configurations are possible with the RCP-780. System A will respond to a received tone, either sub-audible or pulse tone, by keying and modulating the transmitter with the same tone, filtered and regenerated. System B removes the received tone from



the audio and keys and modulates the transmitter with the received signal minus the tone. A new tone is generated for the transmit carrier which can be the same tone frequency as the received tone or may be a different frequency if desired. System C utilizes any number of pulse tone combinations to accomplish the same action as system B.

All tone encoding and decoding circuits use thick-film hybrid chip modules that plug into the individual carrier cards. Each tone card plugs into a gold-plated connector and all adjustments and indicator lights are at the front edge of the card for easy access.

Optional accessories include an adjustable time-out timer, carrier operated switch, wire line termination panel to allow hard wire interconnect, and low standby current drain option, expansion to accommodate 56 tone frequencies and provision for input-output relay drive circuits to control various functions.

For additional information write to Alpha Electronic Services Inc., 8431 Monroe Avenue, Stanton, California 90680, or use *check-off* on page 94.

## audio frequency meter



The new 1200A audio frequency meter from Linear Digital Systems incorporates the latest LSI integrated-circuit chips and a solid-state LED display that account for its small size and excellent reliability. It was designed to withstand the abuse found in university laboratories and in the field. A crystal-controlled

## Measure Frequencies to 500 MHz!



Beat the high cost of UHF/VHF frequency measurements. Our prescalers divide frequencies up to 500 MHz exactly by 10, 20, or 100 — permitting use of your low-frequency digital counters. Absolutely no drift or errors — 100 mv input sensitivity — 3 volt pulsed output to operate any standard counter. Three popular models to fit your needs.

- PS-510 DIVIDE-BY-TEN to 500 MHz and DIVIDE-BY-ONE HUNDRED to 500 MHz (dual range) — \$229.50
- PS-502 DIVIDE-BY-TEN to 300 MHz and DIVIDE-BY-TWENTY to 500 MHz (dual range) — \$149.50
- PS-170 DIVIDE-BY-TEN to 300 MHz — \$59.50

### Micro-Z Co.

Box 2426 Rolling Hills, Calif. 90274

## GATEWAY ELECTRONICS

8123 PAGE AVENUE  
ST. LOUIS, MISSOURI 63130  
314-427-6116

- IC MASTER BOARD — PC Board with dual in-line IC Pads. Enough pads for 50 — 14 or 16 pin Dual In-line IC's. 10 1/2" x 5" undrilled. 1 lb. \$2.00
- L.E.D. — 7 SEGMENT READOUT — MAN 1 TYPE — NEW \$2.75
- THUMBWHEEL SWITCHES
  - 0.5 x 2.125 x 1.78 — 10 position decimal \$3.00
  - 10 position BCD & Compliment \$4.00
  - End Plates (per pair) \$1.45
- MINIATURE SIZE
  - 0.312 x 1.3 x 1.3 — 10 position decimal \$2.50
  - 10 position BCD & Compliment \$3.75
  - End Plates (per pair) \$1.00
- 10 MHz CRYSTAL — Standard HC6/U in 24 volt oven. — 1 lb. \$2.50
- ROTARY INDUCTOR — Approximately 80 microhenry, edge wound, silver plated, 1/4" drive shaft, from ARC 65 — 6 lb. \$7.50
- BOXER FAN — 115 C.F.M. 115 volt AC — NEW, 3 lb. \$8.50

\$5 Minimum Order.

Visit us when in St. Louis.

Please include sufficient postage.

## CRYSTAL BARGAINS

Depend on . . .

We supply crystals from 16kHz to 100MHz. Over 6 million crystals in stock.

### SPECIAL

Crystals for most amateur 2-Meter F.M. Transceivers:

**\$3.75 Each**

Inquire about quantity prices. Order direct. Send check or money order.

For first class mail add 15¢ per crystal...for airmail add 20¢ ea.

**JAN**  
CRYSTALS

DIVISION OF BOB  
WHAN & SON  
ELECTRONICS, INC.

2400 Crystal Dr.  
Fort Myers  
Florida 33901  
(813) 936-2397

Send 10¢ for new catalog with oscillator circuits and lists of thousands of frequencies in stock.

### SPECIALS! CRYSTALS FOR:

Frequency Standards	
100 KHz (HC13/U)	\$4.50
1000 KHz (HC6/U)	4.50
Almost All CB Sets, Trans. or Rec. (CB Synthesizer Crystal on request)	2.50
Any Amateur Band in FT-243 (Except 80 meters)	1.50 4 for 5.00
80 Meter Range in FT-243	2.50
Color TV 3579.545 KHz (wire leads)	1.80 4 for 5.00

## LOW PRICES ON POPULAR COMPONENTS

### IF FILTERS

- Monolithic crystal filters at 10.7 and 16.9 MHz
- Ceramic filters at 455 kHz

### SEMICONDUCTORS

- VHF power transistors by CTC-Varian
- J and MOS FETS
- Linear ICs — AM/FM IF, Audio PA
- Bipolar — RF and AF popular types

### INDUCTORS

- Molded chokes
- Coil forms — with adjustable cores

### CAPACITORS

- Popular variable types

### QUALITY COMPONENTS

- No seconds or surplus
- Name brands — fully guaranteed
- Spec sheets on request

### GREAT PRICES

- Price breaks at low quantities
- Prices below large mail-order houses

WRITE FOR CATALOG 173

**AMTECH**

P. O. BOX 624, MARION, IOWA 52302  
(319) 377-7927 or (319) 377-2638

period generator assures long-term accuracy.

Frequency can be read directly up to 1.999 MHz and indirectly to, typically, 3.5 MHz. The lowest range extends the sample period to ten seconds and provides the 0.1 Hz resolution necessary for calibration of electronic musical instruments, such as organs. Five- or six-digit resolution can be obtained by alternating between two adjacent ranges.

The high input impedance and sensitivity minimizes loading and allows measurements in low-level circuitry. Despite the 20 mV sensitivity, the Model 1200A can withstand a 200 Vac and 400 Vdc overload, indefinitely. The monolithic input circuitry in conjunction with the threshold control eliminate false triggering from noise and high harmonic levels. The built-in hysteresis is always proportional to the input signal level.

The model 1200A audio frequency meter is priced at \$245. For more information, write to Linear Digital Systems, Box 954, Glenwood Springs, Colorado 81601, or use *check-off* on page 94.

## etco electronics catalog

In this day and age of electronics catalogs showing only lifeless mixes of fast-moving merchandise, the *ETCO Idea Book* comes as a refreshing surprise. This 1973 catalog is the outgrowth of ETCO founder Marvin Birnbom's (VE2ANN) desire to provide a little entertainment, some mailorder browsing, a little education, hundreds of surplus bargains, along with pages and pages of hard-to-find parts, gadgets and unusual items.

This fascinating 126-page catalog is bound to excite the imagination of everyone from the 9-year-old budding electronic genius to the 90-year-old, young-at-heart, engineer and inventor. The \$1.00 (redeemable) requested to cover costs is well spent. Mail name and address and \$1.00 to ETCO Electronics, Box 741, Montreal, Canada.

## bleeptune



The Bleeptune compact audible signal source can be used as a code practice oscillator, circuit continuity tester, null detector or audible alerting device. The Bleeptune emits an audible signal of 70 dB to 86 dB sound pressure level at one meter when 8 to 16 Vdc is applied to its terminals. The very low current drain is 5 to 9 mA. No rfi is produced. The Bleeptune is available with standard nominal frequencies of either 2.5 kHz or 1.0 kHz.

Both a nylon ring and a horn adapter are available for mounting the Bleeptune. For additional information, please contact Cybersonic Division, C.A. Briggs Company, Box 151, Glenside, Pennsylvania 19038 or use *check-off* on page 94.

## mobile antenna mount



A new mobile antenna mount that features fewer parts, simplified and quicker installation, lower silhouette and positive weather protection has just been introduced by Larsen Electronics. Designed to go into the usual 3-inch hole, the mount is adaptable to any location on



**YAESU FT-101**  
now with 160 meters

SEE **WILSON**  
for your Yaesu products

FTDX 401 Transceiver  
FL2100 Linear Amplifier  
FL2000B Linear Amplifier

Interested in trading? So are we.

**WILSON ELECTRONICS**

BOX 794 HENDERSON, NEVADA, 89105  
702-451-5791

<b>NATIONAL MOS</b> DYNAMIC shift registers MM502 dual 50 bit 1.25 MM506 dual 100 bit 1.50 MM5006 dual 100 bit 1.50 MM5013 1024 bit 2.00 MM5017 dual 512 DIP 2.00 MM5016 512 bit 1.50  STATIC shift registers MM504 dual 16 bit 1.50 MM505 dual 32 bit 1.75  MM550 dual differential analog switch 2.50	<b>CT5005</b> CALCULATOR ON A CHIP This chip has a full four function memory. Memory is controlled by four keys. (adds entry to memory), (subtract entry from memory), (clear memory--without clearing rest of registers), (read memory or use as entry).  -12 DIGIT DISPLAY AND CALC. -FIXED DECIMAL AT 0.1, 2, 3, 4, OR 5 -LEADING ZERO SUPPRESSION -SEVEN SEGMENT MULTIPLEXED OUTPUT -TRUE CREDIT SIGN DISPLAY -SINGLE 28 PIN CHIP Chip and data--\$14.95 Data only--1.00 (refundable) MC1013 ECL 85mc ff 1.00 MC1023 ECL driver 2.00 MC1039 ECL-TTL interface 2.00	<b>7400 TTL DIP</b> 7400-----\$ .35 7401----- .35 7402----- .35 7403----- .35 7404----- .35 7405----- .35 7406----- .40 7410----- .35 74110----- .35 7420----- .35 7430----- .35 7440----- .35 7441----- 1.30 7442----- 1.00 7446----- 1.50 7448----- 1.25 7450----- .35 7451----- .35 7453----- .35 7454----- .35 7460----- .35 7472----- .40 7473----- .55 7474----- .40 7476----- .55 7480----- .50 7483----- 1.15 7486----- .65 7489----- 3.00 7492----- .90 7493----- .90 7495----- 1.15 75107----- .55 75154----- 2.50 74181----- 3.50 74181B----- 3.50 74193----- 2.00 74195----- 1.00
<b>3 CHIP</b> CALCULATOR SET This calculator set has eight digit floating point with left hand entry. It will add, subtract, multiply, and divide. Overflow and negative signals are provided. Chips and data--\$6.95 Data only--1.00 (refundable) MV-50 red emitting 10-40ma @ 2V .39 MV5020 red LED .45 MV-10B Visible red 5-70ma @ 2V .45	8850, 9601--one shot multivibrator 1.00 8269 Signetic is same as 8250 National 4 bit comparator 1.60 MC853 dual JK DTL .30 LU321 dual JK 'Utililogic' .60 SP629 RS/T Signetic .40 SP659 dual 4 input buf. .25	<b>LINEARS</b> LM100-----\$ .80 LM309----- 1.00 LM309H----- 2.50 NE555A----- .75 NE555B----- 1.00 741(MINI DIP)--- .45 747----- 1.10 709----- .30 710----- .40 711----- .40 723----- 1.00
<b>SCHOTTKY</b> TTL \$3.00 EACH 82530 8 input multiplexer 82533 2 input 4 bit multiplexer 82541 quad EX/OR element 82542 4 bit comparator 82562 9 bit parity gen./checker 82567 2 input 4 bit multiplexer	<b>LED FL 100</b> special .... 39 each 3.50 for ten 29.95 for 100 MAM3M Each \$3.00 Ten or more, 2.50	<b>CMOS</b> C04001-----\$ .75 C04002----- .75 C04011----- .75 C04012----- .75 C04023----- .75
DM8880 (Sperry 00700 202) 7 segment high voltage plate driver-----\$1.75 All IC's are new and fully tested, leads are plated with gold or solder. Orders for \$5 or more will be shipped pre-paid. Add 35c for smaller orders. California residents add sales tax. IC orders are shipped with 24 hrs. COD's may be phoned in..... P.O. Box J, Camichael, California 95608	<b>BABYLON ELECTRONICS</b> (916) 966-2111	

## 400% MORE AVERAGE SSB POWER OUTPUT

USE A **MAGNUM SIX**  
THE QUALITY R F SPEECH PROCESSOR



Collins Heath ..... \$139.95  
 Drake TX-7/4 KB ..... \$154.95  
 Drake TR4 ..... \$159.95  
 Yaesu FT101 ..... \$139.95  
 Kenwood TS99, TS-611. \$139.95  
 Add 5% Tax in Washington

- 4 TIMES THE SSB POWER ON ALL BANDS
- ADDED PUNCH FOR PILE-UPS
- EXCELLENT VOICE QUALITY
- SPLATTER FREE, NARROW BAND OUTPUT SIGNAL
- SOLID STATE DESIGN
- PUT YOUR TRANSMITTER TO WORK FOR THE FIRST TIME IN ITS LIFE. POWER UP WITH A MAGNUM SIX FOR MORE ADDED POWER PER \$ THAN ANY OTHER METHOD!

Send for FREE Brochure  
 Communication Technology Group  
 31218 Pacific Highway South  
 Federal Way, Washington 98002



A Division of Bircil Systems, Inc.

## SUPER CRYSTAL THE NEW DELUXE DIGITAL SYNTHESIZER!! FROM RP



**MFA-22 DUAL VERSION**  
 Also Available MFA-2 SINGLE VERSION

- **Transmit and Receive Operation:** All units have both Simplex and Repeater Modes
- **Accurate Frequency Control:** .0005% accuracy
- **Stable Low Drift Outputs:** 20 Hz per degree C typical
- **Full 2 Meter Band Coverage:** 144.00 to 147.99 MHz. in 10KC steps
- **Fast Acting Circuit:** 0.15 second typical settling time
- **Low Impedance (50 ohm) Outputs:** Allow long cable runs for mobiles
- **Low Spurious Output Level:** similar to crystal output

SEND FOR  
FREE DETAILS

**RP Electronics**

Prices MFA-2 \$210.00 BOX 1201H  
 MFA-22 \$275.00 CHAMPAIGN, ILL.  
 Shipping \$3.00 extra 61820

roof, fender or trunk. Only three parts are involved and no special tools are required for the installation.

The new Larsen mount will accommodate either soldered or solderless coax fastening. A case hardened steel flange assures a positive grip and ground connection to the vehicle. It will fit any antenna that requires a 5/16 by 24 thread, and when used with the Larsen LM Antenna provides a low, low silhouette and thread to thread connection for greatest electrical efficiency. It also provides an installation that permits quick and easy removal of the antenna when the car goes through mechanical car washing facilities or into low garages.

To install the Larsen mount you only have to attach the coax according to the step-by-step-full-scale illustrated instructions which are included. The under part of the mount goes easily through the 3/4 inch hole and a tough plastic fitting and weather-proofing O-ring spins into place. With those three steps the mount is ready to receive the antenna.

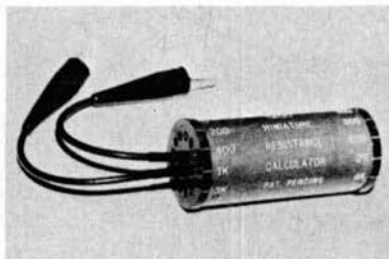
For more details write to Larsen Electronics, Inc., Box 1686, Vancouver, Washington 98663 or use *check-off* on page 94.

## frequency counter

Miida Electronics announces the introduction of its new Digipet-60 Frequency Counter. This frequency counter has a range of 1 kHz to 60 MHz, extendable to 160 MHz with the Digipet 160 converter. It features a resolution of 1 kHz to 1 Hz (at 1 ms or 1 second gate times). It can be operated on either ac or dc, with complete overload protection, plus a stability aging rate of one part in a million per week. The entire unit is a compact 7-inches deep by 2½ inches high. It sells for \$299.

For further information contact Andy Babiak at Miida Electronics, Division of Marubeni America Corporation, 2 Hammarskjold Plaza, New York, New York 10017 or use *check-off* on page 94.

## multifunction resistor decade



Called the R-1 Miniature Resistance Calculator by the manufacturer, Lee Electronic Labs, this handy new unit serves as a 10% resistance decade, a voltage divider or a resistor substitution box. Values between 100 ohms and 11 megohms are possible. Short leads plug into different jacks on the unit allowing 825 different values without the need for sequential switches and the inevitable wear which comes with their use.

The new unit is small, self-contained and lightweight. It comes with short leads to facilitate use in rack-mounted gear and in equipment where long leads to a decade box might introduce hum and undesirable rf pickup.

The unit sells for \$17.45, postpaid. Complete specifications are available from Lee Electronic Laboratories, Inc., 88 Evans Street, Watertown, Massachusetts 02172 or by using *check-off* on page 94.

## confidential frequency list

A *Who's Who* of unusual radio stations has just been published by Gilfer Associates. Called the "Confidential Frequency List," this book is the first major compilation of a-m, CW, ssb, RTTY and FAX nonbroadcast stations made available to the general public. Frequencies, call signs, locations, schedules and radiated power are shown for thousands of radio stations operating between the broadcasting and ham bands from 12 to 27,240 kHz.

Prepared by Robert B. Grove, WA4PYQ, the "Confidential Frequency List" reveals radio frequency and call sign

# KW

ELECTRONICS  
LIMITED

The KW2000B  
the transceiver  
with 160Meters

\$699 with spkr  
and AC pwr supply



## NOW in the USA

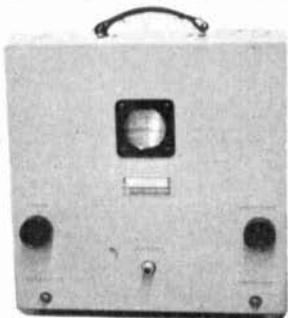
## KW Electronics

DIVISION OF SYSTCOMS Inc

10 Peru St., Plattsburg, N.Y. 12901

### SPECIAL SALE

HP 803A VHF Bridge  
\$195 . . . FOB Monroe  
(For Prepaid shipping add \$6)



Frequency range — 50 to 500 MHz  
Impedance range — 2 to 2000 ohms  
Phase relationship from +90° to -90°  
All units used but in good working condition. Money back (less shipping) if not satisfied.

For list of other test equipment available, send self-addressed, stamped envelope to:

**GRAY** Electronics  
P. O. Box 941, Monroe, MI 48161  
Specializing in used test equipment



## FM YOUR GONSET

(or your Clegg 22'er, Poly-Comm 2, PC 62, Johnson 6N2, Aerotron 500, HA-460, TX-62 or VHF 1)

- New! Plug-in modulator puts the Communicator transmitter on FM.
- No modification or rewiring on your Communicator. Just plug into mike jack and crystal socket.
- Compact self-contained modulator measures 4" x 3" x 1 1/2".

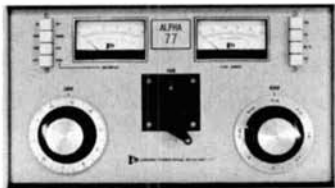


- Works with Communicator I, II, III, IV and GC-105, and other rigs listed.
- FM at a tenth the cost of a new rig.
- Frequency adjust for netting built in.
- \$34.50 postpaid U.S.A. \$36.50 for PC-2, PC-62, HA-460. Specify transmitter model. California residents add 5% sales tax. (HC-6/U crystal and 9 volt transistor battery not supplied.)
- Send for free descriptive brochure.

## PALOMAR ENGINEERS

BOX 455, ESCONDIDO, CA 92025

## ALPHA 77 by ETD



Featuring the new Giant from Eimac, the 8877, with 1500 watts of plate dissipation: \$1495.

**Warranty: One Year  
Power Supply - Two Years**

Phone/write DON PAYNE, K4ID for a brochure, and a King-Size trade on your gear.

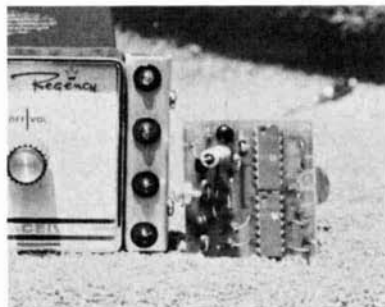
Days (615) 384-5573  
Nites (615) 384-5643

**PAYNE RADIO**  
BOX 525  
SPRINGFIELD, TENN. 37172

information heretofore kept under wraps. There are 34 separate listings in the list including: Interpol, CIA, RTTY Press, USAF Global Aero, spy and number stations, radio-beacons, weather broadcasters, Flying Doctor Service, foreign embassy networks and hurricane hunters.

The "Confidential Frequency List" is one of a series of new publications from GILFER Associates, specialists in disseminating information on radio frequency usage around the world. 64 pages. Soft-bound. \$3.95 from Gilfer Associates, Inc., Box 239, Park Ridge, New Jersey 07656.

## regency scanner modification



The popular Regency HR2, HR2A and HR212 two-meter fm transceivers can be made to scan four channels with Diamond Enterprise's model 4CS scanner. The 4CS comes as a kit for \$29.95 or ready-built for \$49.95. Both units use a fiberglass circuit board and come with all mounting hardware and an external light-emitting diode display. The display is small — only 1/2-inch wide and just as high as the Regency transceivers. The scanner board itself is also small — 1 5/8 by 1 1/2 inches — and fits inside the transceiver cabinet.

The units allow the transceiver to scan four different channels — with the LED display indicating which channel is being monitored. The unit is activated by the transceiver channel position switch.

For more information contact Triangle Enterprises, 404 North Centennial Street, Indianapolis, Indiana 46222 or use *check-off* on page 94.



# Midland Amateur Radio On the Move

...with two compact mobiles  
plus a rugged hand-held

Whether you go for Midland's potent 12-channel, 15-watt 2-meter mobile...the acclaimed 12-channel, 10-watt "220" mobile...or the compact 6-channel, 2-watt 2-meter hand held...you're getting a real performance heavyweight from one of the top names in communications. Advanced Midland features include I.C.'s, multiple FET or MOSFET front ends, mechanical filters, ADL and instantaneous final protection circuits, 12-volt DC operation. Mobiles include mounting bracket and mike; hand-held includes case and telescopic antenna. See Midland Models 13-500, 13-509 and 13-520 at your franchised Midland Amateur Radio dealer now.

Write for Midland's Amateur  
Radio Brochure:  
P.O. Box 19032  
Kansas City, Mo. 64141

**MIDLAND**  
ELECTRONICS COMPANY<sup>®</sup>



## Go all the way into the **REPEATER**

There's nothing half-way about the new Hy-Gain REPEATER LINE.

Designed for the man who demands professional standards in 2 meter mobile equipment, the REPEATER LINE is the 2 meter HAM's dream come true. It's got everything you need for top performance...toughness, efficiency and the muscle to gain access to distant repeaters with ease. Reaches more stations, fixed or mobile, direct, without a repeater.

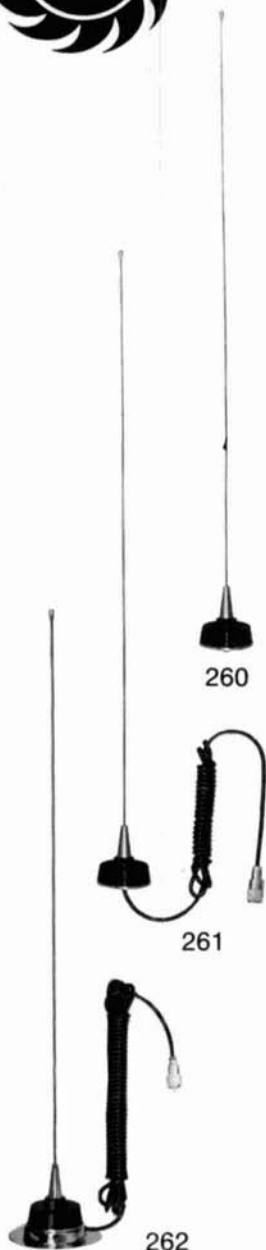
The right antennas for the new FM transceivers ...or any 2 meter mobile rig.

Rugged, high riding mobiles. Ready to go where you go, take what you dish out...and deliver every bit of performance your rig is capable of.

**260** Commercial duty 1/4 wave, claw mounted roof top whip. Precision tunable to any discrete frequency 108 thru 470 MHz. 17-7 ph stainless steel whip.

**261** Same as above. Furnished complete with 18' of coax and connector.

**262** Rugged, magnetic mount whip. 108 thru 470 MHz. Great for temporary or semi-permanent no-hold installation. Holds secure to 100 mph. Complete with coax and connector. Base matching coil for 52 ohm match. 17-7 ph stainless steel whip.





## 2 meter mobile! with

# LINE from **Hy-gain**

**263** Special no-hole trunk lip mount. 3 db gain. 130 thru 174 MHz. 5/8 wave. Complete with 16' coax. Operates at DC ground. Base matching coil for 52 ohm match. 17-7 ph stainless steel whip.

**264** High efficiency, vertically polarized omnidirectional roof top whip. 3 db gain. Perfect 52 ohm match provided by base matching coil with DC ground. Coax and connector furnished.

**265** Special magnetic mount. 3 db gain. Performance equal to permanent mounts. Holds at 90 mph plus. 12' of coax and connector. Base matching coil for 52 ohm match. 17-7 ph stainless steel whip. DC ground.

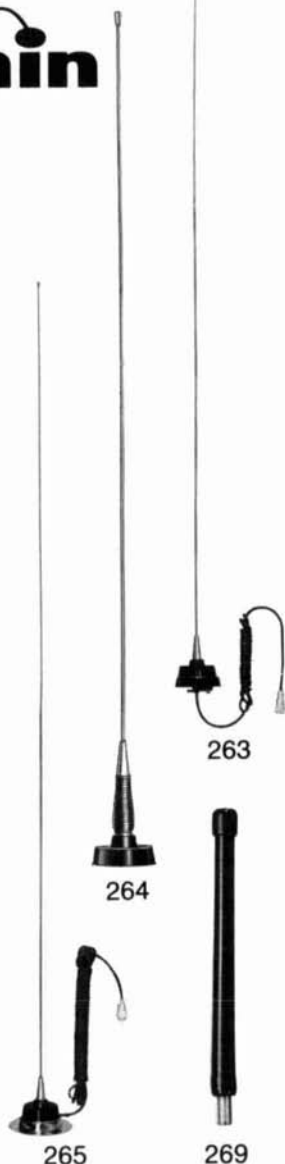
**269** Rugged, durable, continuously loaded flexible VHF antenna for portables and walkie talkies. Completely insulated with special vinyl coating. Bends at all angles without breaking or cracking finish. Cannot be accidentally shorted out. Furnished with 5/16-32 base. Fits Motorola HT; Johnson; RCA Personalone; Federal Sign & Signal; and certain KAAR, Aerotron, Comco and Repco units.

**Top performance for 2 meter mobiles**  
**THE REPEATER LINE**  
from

**HY-GAIN ELECTRONICS CORPORATION**

BOX 5407 - WF LINCOLN, NEBRASKA 68505

**WRITE FOR DETAILS**



# A COMPLETELY PORTABLE FREQUENCY COUNTER WITH . . .

- \* 10 HZ to 65 MHz range
- \* Full six digit readout (L.E.D.)
- \* Sensitive front end (LESS THAN 10 MV.)
- \* Only \$199

## FEATURES

- High capacity rechargeable Ni Cd batteries
- Crystal controlled time base (can be field calibrated)
- Convenient 3-position range select switch allows:
  1. Readout always in MHz.
  2. Eight digit resolution by range selection
  3. Direct reading pre-scalar operation to 999.999 MHz.
- "Battery save" switch for spot checks
- Less than 5 watts power consumption (5 volts @ 0.9 AMPS)
- Dimension 6" x 3.5" x 2.3"
- TTL input for use with pre scalar
- Can be operated on internal or external power, with trickle charge and full charge positions
- Sample control lets operator determine how often the readout is updated. Can "hold" present count without being updated



Mail orders directly to:  
Great American Miniatures,  
Inc.  
P. O. Box 10990  
Midwest City, Okla. 73110

Model C-65 Freq. counter \$199.00  
Battery charger 8.00  
Battery charger & eliminator 18.00

## — PCB KITS —

RTTY SPEED CONVERTER Drilled PCB 5 & 11 VDC \$40.00  
DRILLED PCB ONLY \$ 6.00  
RTTY AFSK Gen. All Shifts & CW I.C. 9 VDC @ 7ma \$6.60  
100 KHz XTAL CALIBRATOR Less Xtal 9 VDC @ 2ma \$4.75  
100 KHz XTAL (Limited Supply) \$2.50  
PREAMP MICROPHONE, 26 DB Gain 9 VDC @ 1ma \$3.50  
LIMITER PREAMP For High Z Mike 9 VDC @ 1ma \$4.80  
PRODUCT DETECTOR For Your Receiver 9 VDC @ 1ma \$3.60  
"S" METER KIT Less 1ma Meter 6.3VAC \$4.75  
SWR METER, Stripline, Less 200µa Meter \$2.95  
WVW CONVERTER FET Front End 9 VDC @ 5ma \$5.25  
Requires 6-6.5MHz Crystal  
6 METER CONVERTER FET Front End 9 VDC @ 5ma \$5.95  
7-11 MHz Output, Less 43 MHz Xtal  
CW KEYING MONITOR, RF Keyed, Less Spkr. 9 VDC @ 9ma \$4.70  
POWER SUPPLY - 9 VDC @ 50ma Output 115VAC \$4.85  
6 OR 2 METER CASCADE PREAMP 80 VDC @ 4.5ma \$4.95  
Wired & Tested Less 2 ea 6CW4  
Nuvistors, Specify 6 or 2 Meter Model  
DRILLS, #54, 56, 58 or 60 (each) \$ 4.00  
Finest Quality for PCB'S, Made in USA Three For \$1.00

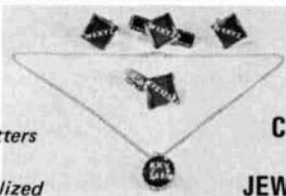
EXCEPT AS NOTED ABOVE, ALL KITS ARE NEW, 100% SOLID STATE. AND COME COMPLETE WITH AN UNDRILLED G-10 PCB (PRINTED CIRCUIT BOARD) AND ALL PCB MOUNTED COMPONENTS. KITS ARE LESS POWER SUPPLIES, CHASSIS, AND ENCLOSURE HARDWARE. SEND SELF-ADDRESSED, STAMPED ENVELOPE FOR COMPLETE DATA SHEET AND SCHEMATIC.

SATISFACTION GUARANTEED. RETURN IN 30 DAYS FOR REFUND. ALL KITS POSTPAID. INCLUDE 25¢ HANDLING CHARGE. WASHINGTON RESIDENTS ADD 5.3% SALES TAX.

## P. M. ELECTRONICS INC.

519 SOUTH AUSTIN, SEATTLE, WASH. 98108

Your  
Call Letters  
On . . .  
Personalized



CUSTOM  
MADE  
JEWELRY\*

Insignias and Initials on Request. All finishes unconditionally guaranteed for one year. 24K gold or silver finish.

SETS \$6.50 NECKLACE \$4.25  
SMALL TIE CLASP \$3.50 EARRINGS \$4.50  
LARGE TIE CLASP \$4.50 BRACELET \$4.75

\*Sizes and Shapes May Vary.

Add tax to above prices. Calif. Sales, 5%. M.O. or Check  
13407 SHOUP AVENUE  
HOBBY JEWELRY HAWTHORNE, CALIF. 90250

## NEW COAXIAL ANTENNA CHANGEOVER RELAY



Barker & Williamson Model 377 Coaxial Antenna Changeover Relay is a compact unit providing an efficient and economical method for switching antenna to receive. Receiver connector automatically grounded when in the transmit position.

VSWR . . . . . 1.15:1  
Frequency Range . . . . . D.C. to 150 MHz  
Power Rating . . . . . 1 KW-2 KW PEP

PRICE . . . . . \$11.95

See your dealer or write:  
Barker & Williamson, Inc.



Canal Street, Bristol, Pa. 19007

## GTX-2



### 2 meter FM Transceiver

- (1) GTX-2 (with built-in DC PS) and 94/94 ..... \$249.95
- (2) AC POWER SUPPLY ..... \$49.95
- (3) 2 Extra crystals of your choice ..... \$12.00

REGULAR \$311.90  
**OUR SPECIAL PACKAGE PRICE! \$249.95**

## GTX-10

10 watts output



- Simple Conversion to 30 Watt Output
- (1) GTX-10 (with built-in DC PS) & 94/94 ..... \$199.95
- (2) AC POWER SUPPLY ..... \$34.95
- (3) 2 Extra xtals your choice (stock list) ..... \$12.00

REGULAR \$246.90  
**OUR SPECIAL PACKAGE PRICE! \$199.95**

Please add \$10.00 Substituting HAMPAK for AC on GTX-10 Package. With HAMPAK & AC \$232.00

### \* FLASH \* FLASH \* FLASH \*

Look at what you get for NO REPEAT-NO EXTRA CHARGE. The GTX-2 and GTX-200 now have a supersensitive Dual-Gate Mos Fet pre-amplifier BUILT IN the receiver front end for superb, less than .25 microvolt sensitivity. THE BEST receiver now even better!

30 WATTS OUTPUT. ALL SOLID STATE (no tubes). TRUE FM (not Phase modulation) for superb audio quality. 10 channels in GTX-2 &

## GTX-200



100 channel combinations; features independent selection of transmit and receive frequencies, and switch for pre-selected pairing.

- (1) GTX-200 (with built-in DC PS) & 94/94 ..... \$259.95
- (2) AC POWER SUPPLY ..... \$49.95
- (3) 2 Extra xtals your choice (stock list) ..... \$12.00

REGULAR \$321.90  
**OUR SPECIAL PACKAGE PRICE! \$259.95**

## HAMPAK



Battery pack for GTX-10 portable operation. Uses 10 D cells (not included). (Includes portable antenna, carrying handle & mike clip) ..... \$39.95

GTX-10 with 146.94/146.94 included. Three pole low pass filter on both transmit and receive. 1 watt low power position. Provision for tone encoder. Simple internal strapping provision allows multi-channel use of any crystal in GTX-2 and GTX-10. Microphone and mobile mounting bracket supplied. G-10 GLASS BOARDS. Professional level construction by distinguished Avionics Mfg. — General Aviation Electronics, Inc. The finest amateur FM transceiver available at any price. Size: 9 x 6 1/2 x 2 1/2. Weight 5 lbs. Current Drain: Receive: .09 amps, Transmit: High 5.0 amps, Low: 1.7 amps. Made in U.S.A.

100% AMERICAN MADE



## Marine/Master-25w

2-Way VHF-FM Marine Radio Telephone

(Includes Weather Monitor and Channels 6 & 16)

\$259.95



### OPTIONAL ACCESSORIES

- (1) 3 dB Gain Lay-Down Gleaming White Fiberglass Antenna
- (2) 6 dB Gain Lay-Down Gleaming White Fiberglass Antenna
- (3) 9 dB Gain Lay-Down Gleaming White Fiberglass Antenna
- (4) 3 dB Sailboat Antenna, Mounting Hardware and 60' of Marine White Cable
- (5) Channels 68, 26, 28, 12

PLEASE WRITE FOR

**OUR SPECIAL PACKAGE PRICES!**

Full 25 watts power. ALL SOLID STATE (no tubes) reliability. 10 channels with 6 1/2 pairs

of crystals installed for calling and distress, weather, ship-to-ship, ship to coast and public and port operations. Self contained, compact. Pre-tuned. Vinyl covered unit is splash proof — impact, humidity and fungus resistant. Can be mounted in panel, on bulkhead, on or below table top with universal mounting bracket included.

**JUST CONNECT TWO WIRES and YOU'RE ready to OPERATE.**



Service Manual CX7-CX7A

\$29.00 ppd. anywhere

**COMING SOON!!**  
**GENAVE TOUCH-TONE PAD**  
**GENAVE REPEATER**  
**and MUCH MORE**

## AMATEUR-WHOLESALE ELECTRONICS

8817 S.W. 129 Terrace — Miami, FL 33156

Telephone — days (305) 233-3631 — night and weekends — (305) 666-1347

**NO ONE ANYWHERE BEATS OUR DEAL!**



**The BEST CW in the world!**

comes from Keyers by



### MEMORY-MATIC KEYERS

A whole new concept in the idea of an electronic keyer. Not only the most advanced keyer ever offered with every feature you might ever imagine, but complete with easy in - easy out memories (up to 19,200 bits in the MM-8000). Just key in your message. They play it out at any speed at any time.

For the first time you can automate your station to permit virtually automatic operation for DX, Contesting and traffic handling. Far too much to describe in a magazine ad. Send for our new catalog with the complete Memory-Matic Story.

**Memory-Matic 8000 with up to 19,200 bit memory capacity**

**Memory-Matic 500B with up to 800 bit memory capacity**

### SPACE-MATIC 21-B

The Switchable Keyer. It's up to eight-keyers-in-one. Use the switches to make this your very own personal keyer, both today and tomorrow. Add such features as dot dash memory or adjust spacing with the turn of a switch. Completely versatile, completely perfect with everything you will ever want. Full details in our catalog.

Sh. wt. 4 lbs. \$89.50

### CRICKET 1

At last — a popularly priced IC keyer with more features for your dollar than all others in its price range. Fatigue-free sending with clean, crisp CW at all speeds.

Sh. wt. 3 lbs. \$49.95

### FEATHER TOUCH KEY

Replace that mechanical key with our new electronic key. Go modern with Feather Touch the electronic key that detects the mere touch of your finger. Develop a truly professional fist.

Assembled, Sh. wt. 2 lbs. \$19.95

Kit, Sh. wt. 2 lbs. \$15.95

AC Power Supply ..... \$2.95

Remote Switches for use with Memory-Matic Keyers \$3.95

All assembled Data Engineering products are sold with a five year guarantee on both workmanship and materials.

# DATA ENGINEERING INC.



## FREE!

*The most exciting*

## NEW CATALOG

*in amateur radio*

SEND TODAY FOR YOUR FREE COPY

# Exciting NEW FM Products



## TOUCH TONE PADS

More features than any other pad including built-in monitor speaker and latest Phase-Lock loop circuitry.

- TTP-1 Standard pad for portable transceiver mounting.
- TTP-2 Standard pad in attractive case for home or mobile use.
- TTP-3 Mini-pad in attractive case for home or mobile use.
- TTP-4 Mini-pad for portable transceiver mounting.

TTP-1, 2, 3 & 4, Sh. wt. 1 lb. .... \$44.50  
 TTP-1K, 2K, 3K & 4K, Sh. wt. 1 lb. .... \$34.50

## TOUCH-TONE DIALER

The electronic Touch-Tone dialer for home and car. It's safer and more accurate to use than a pad. Memory includes Access Code plus five phone numbers. Numbers easily updated. Built-in monitor. Complete PPT operation with transmitter hold. Sh. wt. 2 lbs

TTD-4K Complete Kit \$49.00      TTD-4 Assembled \$59.00

## REPEATER ID

Highly stable oscillator for automatic timing. AC or DC operation. ROS provides for more than 25 characters, more than necessary for DE "any call" RPT. AUX is automatically added to ID if desired when main power is lost. Tone Burst operation available.

ID-101K P.C. Board Kit, Sh. wt. 2 lbs. .... \$49.95  
 ID-101 P.C. Board, Wired & Tested, Sh. wt. 2 lbs. .... \$69.95  
 ID-101R Assembled in 1 1/2" rack cab. Sh. wt. 5 lbs. \$109.00

## TONE ENCODER

Eight pre-adjusted tones. Duration and Output adjustable. PLL circuitry for extreme stability. Choice of continuous or Tone burst operation. Tone burst operation requires no batteries. Easy to install. Includes three special single or dual tones.

TE8-K Complete Kit, Sh. wt. 2 lbs. .... \$31.95  
 TE-8 Tone Burst Encoder (1800, 1950, 2100, 2250, 2400, plus any 3 single or dual tones above 1200 Hz.) .... \$39.95

## AUTO-PATCH CONSOLE

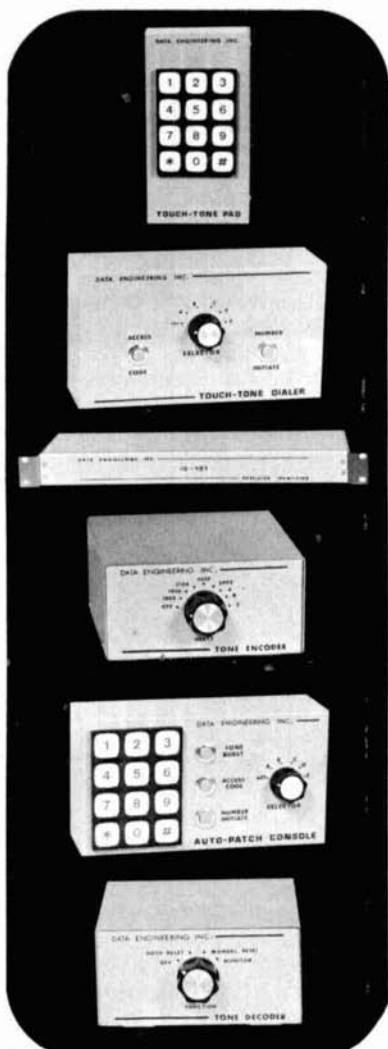
This mobile or home console includes all the features you need for complete auto-patch operation. A Touch-Tone Pad; an automatic dialer for sending one access code plus five Touch-Tone phone numbers; a single/dual tone burst encoder adjusted to your choice of frequency above 1200 Hz, and a built-in monitor. Complete PTT operation with one second transmitter hold. Sh. wt. 2 lbs.

APC-4K Complete Kit \$84.50      APC-4 Assembled \$98.50

## TONE DECODER

Versatile single/dual tone decoder. PLL circuitry for extreme stability. 1 amp output relay can be reset automatically or manually. Monitor position. Adjustable sensitivity. Internal strap selects single or dual tone operation.

TD-2K Complete Kit, Sh. wt. 2 lbs. .... \$31.95  
 TD-2 Single/Dual Tone Decoder ..... \$39.95  
 (Specify any freq. above 1200 Hz)



Please include sufficient postage for shipping



Ravensthor Industrial Park, Springfield, Va. 22151

5554 Port Royal Road • 703-321-7171

## 2-METER PREAMP

Specially made for both OLD and NEW receivers. The smallest and most powerful preamp available. Provides 20dB gain to bring in the weakest signals.

Sh. wt. 4 oz. \$9.50 kit  
 \$12.50 wired

## PAD-PULSER

Now you can also obtain pulsed operation from your Touch-Tone Pad. Convert Touch-Tone frequencies to decimal pulses at 2805 Hertz with just a flip of a switch. Option can be added to TTP-2/K, TTD-4/K and APC-4/K. Sh. wt. 1 lb.

PP-12K P.C. Board Kit \$22.95  
 PP-12 Assembled ..... \$29.95

## TOUCH-TONE DECODER

A highly reliable twelve digit decoder with input protection, and PLL circuitry for extremely stable operation. Heavy duty output relays, small size, plug-in circuit board. All these major features at an UNBEATABLE price. Sh. wt. 1 lb.

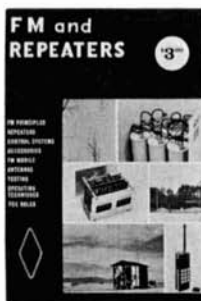
TTD-12K P.C. Board Kit \$89.50  
 TTD-12 Touch-Tone Decoder ..... \$129.50



# FM handbooks

The most comprehensive VHF FM manual ever published for the radio amateur.

Only \$3.00 Postpaid



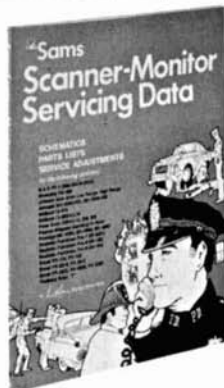
## FM and REPEATERS ARRL Staff

Everything is covered! Fourteen chapters include: mobile installation, transmitters, receivers and antennas for mobile and base, and fm test equipment. Special sections treat alignment and troubleshooting gear as well as repeater technical problems and cures. Repeater location planning and operating under the new regulations are all covered. If you operate fm or are just becoming interested, you cannot afford to be without this book.

## Scanner-Monitor Servicing Data

Contains comprehensive servicing data for 30 of the most popular UHF and VHF receivers now in use, including B & K, Brown, Johnson, Midland, Pace, Pearce-Simpson, Penney's, Realistic, Sonar, and Teaberry. As the first guide ever released for scanners and monitors, it is an invaluable aid for service technicians. Its last-minute information includes schematics, voltages, alignment, parts lists, crystal formula data, pictorial presentations, and general troubleshooting information.

\$4.95 Postpaid



## The Radio Amateur's F-M Repeater Handbook

by Ken Sessions, Jr.  
W6MVH

This is the definitive work on the challenging subject of amateur f-m repeaters, a vital new development which has been virtually undocumented. Chapters include: Preparing and Obtaining Sites for Repeaters; How to Build a Repeater; Repeater Applications. 228 pages; hardbound.

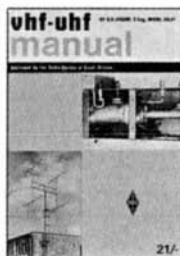
\$6.95 Postpaid



## VHF-UHF Manual G. R. Jessop G6JP

Not an FM book, but still the most complete amateur handbook ever put together on the frequencies above 30 MHz. Covers propagation, tuned circuits, mobile equipment, antennas. 65 pages on receivers. 80 pages on transmitters. An important reference you should not be without.

\$5.95 postpaid



order today

comtec

BOOKS

Greenville, New Hampshire 03048



SEMICONDUCTORS

2N597 -- 10c -- 12/\$1.00	2N1309 -- 15c -- 10/\$1.00	2N2060 -- \$1.00 -- 2/\$1.50
2N709 -- 20c -- 7/\$1.00	2N1711 -- 35c -- 10/\$2.75	2N2905 -- \$1.00 -- 4/\$3.00
2N914 -- 15c -- 10/\$1.00	2N2222 -- 15c -- 8/\$1.00	2N1358A -- 1.50 -- 4/\$5.00
2N964 -- 10c -- 12/\$1.00	2N3877 -- 20c -- 7/\$1.00	2N277 -- \$1.00 -- 4/\$3.00
2N1301 -- 10c -- 12/\$1.00	2N3503 -- 50c -- 5/\$2.00	2N1542 -- \$ .50 -- 3/\$1.00

HARD TO FIND TRANSISTORS

2N336	2N834	
2N338	2N168A	
2N465	2N1175	
2N527	2N1926	

5 of a kind, only \$1.00

INTEGRATED CIRCUITS



SN7400N
SN7402N
SN7410N
SN7430N

Your choice:  
\$ .25 ea, 10  
for \$2.00, 100  
only \$18.50

DIODES



1N270	Hi Conductance	\$ .20	7/\$1.00
1N750A	4.7V Zener, 5%	\$ .40	5/\$1.75
1N1510	6.8V Zener, 5%	\$ .50	5/\$2.00
1N2820	24.0V, 50w Zener	\$1.50	2/\$2.50
1N4606	70.0V, 4 ns computer	\$ .10	12/\$1.00

(Some devices are user coded. A cross reference sheet is provided for easy identification)

400V, 12 amp silicon rectifier. Stud mount.....	\$ .60	2/\$1.00
.1uf, 400V Sprague 160P Black Beauty capacitor.....	\$ .10	12/\$1.00
.01uf, 1200V Sangamo type H transmitting capacitor.....	\$ .50	3/\$1.25
SO-239 R.F. connector.....	\$ .35	5/\$1.00
Rectangular Silver Mica "Reds"..... assortment of 30.....	\$1.00	100/\$2.50
Hughes miniature 5 MHz clock crystals.....	\$1.50	4/\$5.00
Miniature lamps, 2.5v or 4.0v @ 40 ma. Either type... 11 for	\$1.00	100/\$8.00
Power supply transformer, Primary: 108-132V, 60 Hz. Secondaries:		
(4) 6.4v @ 2 amp, (2) 6.4v @ 5 amp. Fully jacketed with		
turret terminals.....only	\$9.50	Postpaid!



tri-tek, inc.

P.O. BOX 14206, DEPT HR  
PHOENIX, ARIZONA 85063

NEW AND SURPLUS ELECTRONIC COMPONENTS FOR THE PRO AND SERIOUS AMATEUR. AN ORDER OR 8c STAMP PUTS YOU ON OUR MAILING LIST, MINIMUM ORDER \$3.00 U.S., \$15.00 FOREIGN. ALL ORDERS POSTPAID. PLEASE ADD INSURANCE

SPACE-AGE TV CAMERA KITS & PLANS



BE A PIONEER IN HOME TELECASTING! Build your own TV CAMERA, Model XT-1A, Series D, \$16.95 pp. Solid-State. Step-by-step construction manual. High quality. Connects to any TV without modification. Ideal for home, experimenting, education, industry, etc.

PHONE or WRITE for CATALOG.

DIAL 402-987-9771

Many other kits, parts and plans available including starter kits, local/dial, coils, vidicon tubes, const. plans, etc.

1301 BROADWAY, N.W. **ATV Research** DAKOTA CITY, NEBR. 68731



READOUTS \$3.00

7-SEGMENT 5 VDC

Long life incandescent tube 1/2 inch high character. Drive with 7447 IC. Write for complete list including polarizing filters, complete counter modules, many more items.

Display Electronics P.O. BOX 1044  
LITTLETON, CO 80120

C F P ENTERPRISES

866 RIDGE ROAD  
LUDLOWVILLE, NEW YORK 14862

Central Upstate New York's  
Mail-Order Headquarters

Specializing in Two-Meter FM  
and Quality Used Gear

Office & Salesroom Hours by Appointment Only  
24-Hour Phone: 607-533-4297

Send SASE for Bi-Monthly Listing of  
Used Equipment and Bargain Goodies

Trade-ins accepted on both new and used equipment. Cash deals get prepaid shipping in the Continental U.S.A. plus a 20% discount on the items on our regular listing!!!!

GRADE A - ALL NEW  
LIMITED QUANTITIES

Collins Radio Fc. Synthesizer .....	\$ 75.00 ppd.
Collins Radio Mechanical Filter 455H60 F200L10 .....	\$250.00 ppd.
F200L10 .....	\$ 15.00 ppd.
Fairchild Time Base Plug In for 766H series oscilloscopes, list \$800. ....	\$250.00 ppd.
Variac, 8.5 amps, 120 volts .....	\$ 25.00 ppd.
Weston Current Transformer, 12.5va. fc50-125 cps, 2500 volts .....	\$ 20.00 ppd.
Light Control Box, 800 watts, 120 vac., 60 cps. ....	\$ 25.00 ppd.
Coil Cord, extends to 5 ft., 3 conn. ....	\$ 1.50 ppd.
Relays, 115 volts, 60 cps., hermetically sealed	\$ 1.75 ppd.

NATIONAL RADIO

Power Line Filter, 105-125 vac., 3 amps	\$ 10.00 ppd.
Band Pass, 100.30 kc - 101.75 kc, imp 68 k	\$ 6.00 ppd.
Band Pass, 600 kc, imp 1.5 k .....	\$ 6.00 ppd.
Band Pass, 2 sections 1 kc/3 kc, imp 68 k	\$ 12.00 ppd.
Low Pass, 8 kc, 150 imp .....	\$ 8.00 ppd.
Low Pass Filter Cut-off, 400 mc. ....	\$ 20.00 ppd.
P.C. Wire, 200 pair, 12" length, multi color	\$ 1.75 ppd.
2 MFD, 7500 vdc, wt. 41 pds. ....	\$ 15.00
Choke, 7 H at 1.77 adc, wt. 88 pds.	\$ 20.00

SEE OUR AD IN MAY HAM RADIO

IN-X-SALES

BOX 222 • MEDFORD, MASS. 02155



## Problem-solving handbooks

Highly popular Editors and Engineers books from Sams give amateurs everything they need to know about radio operation and technology. They're authoritative, clear, and easy to follow. You'll want them for your library.

### Famous E&E RADIO HANDBOOK—19th Edition By William I. Orr, W6SAI

The completely updated electronics industry standard for engineers, technicians, and advanced amateurs. Shows how to design and build all types of radio-communications equipment. Includes ssb design and equipment, RTTY circuits, latest semiconductor circuits, IC's, and special circuitry. No. 24030—\$14.95

### SINGLE SIDEBAND: THEORY & PRACTICE By Harry D. Hooton, W6TYH

A basic text covering the origin of ssb, derivation of signals, sideband selection, ssb generators, carrier-suppression techniques, carrier generators, speech amplifiers and filters, balanced mixers and converters, low-power ssb transmitters, linear r-f power amplifiers, and much more. No. 24014—\$6.95

### SEMICONDUCTOR AMATEUR PROJECTS By Louis M. Dezettel, W5REZ

For the ham who still takes pride in using his hands and head, here are projects for 16 useful, money-saving accessories, using easy-to-build semiconductor circuitry. Units are for measuring equipment, increasing power and adding convenience, etc. No. 24025—\$4.95

### MARINE SINGLE SIDEBAND By Donald M. Stoner and Pierre B. Goral

Covers the why and how of single sideband; interpreting specifications, alignment tests and measurements, installations, securing a limited coastal license, high-seas telephone service, and marine radio terminology. No. 24029—\$5.95

### RADIO AMATEUR OPERATING HANDBOOK By Marshall Lincoln, W7DQS

This single-source working guide is a practical aid for improving the operating methods and techniques of hams. No. 24028—\$4.95

### SOLID-STATE QRP PROJECTS By Edward M. Noll, W3FQJ

By building QRP equipment you learn solid-state technology, since these rigs include transistors and/or integrated circuits. The low-cost units described have power ratings from less than 100 milliwatts up to about 20 watts. Both cw and phone rigs are included. No. 24024—\$4.25

### 73 DIPOLE AND LONG-WIRE ANTENNAS By Edward M. Noll, W3FQJ

Detailed construction data for 73 different types of wire antennas. Appendices describe construction of noise bridges and line tuners, plus data on measuring resonant frequency, velocity factor, and SWR. No. 24006—\$4.50

### 73 VERTICAL, BEAM, AND TRIANGLE ANTENNAS By Edward M. Noll, W3FQJ

Design and construction of 73 different antennas used by amateurs, each built and air-tested by the author. Also construction of noise bridges, transmission-line tuners, and measurement methods. No. 24021—\$4.95

### ELECTRONICS FOR THE AMATEUR By Louis M. Dezettel, W5REZ

Covers radio-wave propagation as it applies to amateur band frequencies, reception and transmission pertaining to ham equipment, and the special field of antennas and how to feed them. Provides you with everything needed to pass the theory sections of the FCC exams. No. 24022—\$7.95

### RADIO AMATEUR'S F-M REPEATER HANDBOOK By Ken W. Sessions, Jr., K6MVH

The definitive work on amateur f-m repeaters. Includes: Preparing and obtaining sites for repeaters; How to build a repeater; Repeater applications; and an f-m repeater directory. No. 24008—\$6.95

### AMATEUR TESTS AND MEASUREMENTS By Louis M. Dezettel, W5REZ

Shows how to accomplish virtually all performance tests on amateur transmitters, receivers, and antennas, and how to make required adjustments. No. 24007—\$5.50

### HAM AND CB ANTENNA DIMENSION CHARTS By Edward M. Noll, W3FQJ

Tabulates dimension data in feet and inches for all popular antenna configurations. With this data, an antenna can be dimensioned for a specific frequency range according to license class and mode of operation. No. 24023—\$1.95

Order today from

comtec

BOOKS

Greenville, NH 03048

ALSO ASK FOR

FREE

HOWARD SAMS CATALOG



CW or RTTY, whichever way you go,  
**HAL HAS TOP QUALITY  
 YOU CAN AFFORD!**



**TOP QUALITY RTTY... WITH THE HAL MAINLINE ST-6 TU.** Only 7 HAL circuit boards (drilled G10 glass) for all features, plug-in IC sockets, and custom Thordarson transformer for both supplies, 115/230 V, 50-60 Hz. Kit without cabinet, only \$135.00; screened, punched cabinet with pre-drilled connector rails, \$35.00; boards and complete manual, \$19.50; wired and tested units, only \$280.00 (with AK-1, \$320.00).\*



**TOP QUALITY... WITH THE HAL 1550 ELECTRONIC KEYSER.** Designed for easy operation; perfectly timed CW with optional automatic ID for sending call letters, great for DX and RTTY; TTL circuitry, transistor switching for grid block, cathode keying. Handsome rugged crackle cabinet with brushed aluminum panel. With ID, only \$90.00; without ID, \$65.00.\*

**OTHER HAL PRODUCTS INCLUDE:**

ID-1 Repeater Identifier (wired circuit board) . . .	\$ 75.00*
ID-1 (completely assembled in 1 1/2" rack cabinet) . . . . .	\$115.00*
HAL ARRL FM Transmitter Kit . . . . .	\$ 50.00*
W3FFG SSTV Converter Kit . . . . .	\$ 55.00*
Mainline ST-5 TU Kit . . . . .	\$ 50.00*
Mainline AK-1 AFSK Kit . . . . .	\$ 27.50*



**TOP QUALITY... WITH THE HAL MKB-1 MORSE KEYBOARD.**

As easy as typing a letter—you get automatic CW with variable speed and weight, internal audio oscillator with volume and tone controls, internal speaker, and audio output jack. Smooth operation; completely solid-state, TTL circuitry using G10 glass boards, regulated power supplies, and high voltage transistor switch. Optional automatic ID available. Assembled MKB-1, \$275.00. In kit form, \$175.00.\*



**NEW FROM HAL—TOP QUALITY RVD-1002 RTTY VIDEO DISPLAY UNIT.**

Revolutionary approach to amateur RTTY . . . provides visual display of received RTTY signal from any TU, at four speeds (60, 66, 75, and 100 WPM), using a TV receiver modified for video monitoring. Panasonic solid-state TV receiver/monitor, or monitor only, available. RVD-1002, \$525.00; Panasonic TV receiver/monitor, \$160.00; monitor only, \$140.00.\*

**TOP QUALITY... WITH THE HAL RKB-1 TTY KEYBOARD.**

Gives you typewriter-easy operation with automatic letter/number shift at four speeds (60, 66, 75, and 100 WPM). Use with RVD-1002 video display system, or insert in loop of any teleprinter, for fast and easy RTTY. Completely solid state, TTL circuitry using G10 glass boards, regulated power supplies, and transistor loop switch. RKB-1 assembled, only \$275.00.\*



HAL provides a complete line of components, semi-conductors, and IC's to fill practically any construction need. Send 24¢ to cover postage for catalog with info and photos on all HAL products available.

\*Above prices do not include shipping costs. Please add 75¢ on parts orders, \$2.00 on larger kits. Shipping via UPS whenever possible; therefore, street address required.

**HAL COMMUNICATIONS CORP., Box 365 H, Urbana, Illinois 61801**

# NEW RX-144C RECEIVER KIT

For Repeaters or Those  
Who Need The Best

**\$69.95**

WITH 10.7 CRYSTAL FILTER



- Low cross modulation front end
- 10.7 MHz crystal filter
- Sensitive noise squelch
- COR output for control
- 2 watts audio output
- Less than .2  $\mu$ V sensitivity
- Measures 4 x 6 x 1 inches

## ALSO AVAILABLE

TX-144 Transmitter Kit \$29.95 — RX-144 Receiver Kit \$59.95 — PA-144 Amplifier Kit \$29.95

Add \$1.00 shipping per kit ordered. New York Residents add sales tax.

We are now in our new location, please note the new address.



# VHF ENGINEERING

320 WATER ST. POB 1921 BINGHAMTON, N.Y. 13902 607-723-9574



## GROTH-Type COUNTS & DISPLAYS YOUR TURNS

- 99.99 Turns
- One Hole Panel Mount
- Handy Logging Area
- Spinner Handle Available

PRICES	POST PAID
TC 2 —	\$7.00
TC 3 —	\$7.50
Spinner (-S) —	\$1.00
Add \$0.75 for Air or UPS	

Case: 2x4"; shaft 1/4"x3"  
Model TC2: Skirt 2 1/2"; Knob 1 1/2"  
Model TC3: Skirt 3"; Knob 2 3/4"

**R. H. BAUMAN SALES**  
P.O. Box 122, Itasca, Ill. 60143

## NEW!! 2 METER CONVERTER

144CC  
**\$49.95**  
postpaid



HIGH SENSITIVITY •  
VERY RESISTANT TO  
OVERLOAD • FREE FROM  
BIRDIES • 12VDC POWER

• DELUXE DIE CAST CABINET. This new addition to our VHF/UHF converter line is well suited to DX, FM and general purpose applications. Write for full details on this and all our other converters and preamps.



**JANEL LABORATORIES**  
Box 112, Succasunna, N. J. 07876  
Telephone 201-584-6521

**NOW**

EXCLUSIVE 66 FOOT 75 THRU 10 METER DIPOLE  
NO TRAPS — NO COILS — NO STUBS — NO CAPACITORS

Fully Air Tested — Thousands Already in Use



**IS BACK**

#16 40% Copper Weld wire annealed so it handles like soft Copper wire—Rated for better than full legal power AM/CW or SSB-Coaxial or Balanced 50 to 75 ohm feed line—VSWR under 1.5 to 1 at most heights—Stainless Steel hardware—Drop Proof Insulators—Terrific Performance—No coils or traps to break down or change under weather conditions—Completely Assembled ready to put up—Guaranteed 1 year—ONE DESIGN DOES IT ALL; 75-10HD—ONLY \$12.00 A BAND!

Model 75-10HD ... \$60.00	66 Ft. ... 75 Thru 10 Meters	Model 75-40HD ... \$40.00	66 Ft. ... 75 Thru 40 Meters
Model 75-20HD ... \$50.00	66 Ft. ... 75 Thru 20 Meters	Model 40-20HD ... \$33.00	35 Ft. ... 40 Thru 20 Meters
	Model 80-40HD ... \$42.00	69 Ft. ... 80-40-15 Meter (CW)	

ORDER DIRECT OR WRITE FOR  
FULL INFORMATION



300H Shawnee  
Leavenworth, Kansas 66048

OR THRU YOUR FAVORITE  
DISTRIBUTOR

# 'HAM' UHF 400 MC HIGH POWER TRANSISTORS



3 for \$10. **\$3.95**

By RCA or equal 2N3632. 3PN, 23 watt, 3 amps. TO-6 case, with stud mtg. VCEV max 65.

## EPOXY FULL WAVE SILICON BRIDGE RECTIFIERS



PIV 2 Amp 5 Amp  
 50 1.15 \$1.65  
 100 .79 .99  
 200 .95 1.25  
 400 1.19 1.50  
 600 1.35 1.75  
 800 1.59 1.95  
 1000 1.79 2.25  
 Code: 2 amp TO-6 case  
 5 Amp 1/2 x 1/2 x 1/16 sq



## LED 7-SEGMENT READOUTS MAN-4 EQUAL 3.95

0-9 plus letters. Snaps in 1/4-pin DIP socket, 3/4 x 1/4 x 3/8". 5V, 10 ma, with decimal point. Like MAN-1.  Socket for above, 50c



## COUNTING SYSTEM

Includes SN7490, decade counter, SN7475 latch, SN7441 BCD decoder driver, 0-to-9 Nixie tube, instructions.

**SILICON TUBES**  
 SU4 ..... \$1.49  
 SR4 ..... 1.95  
 666 ..... 7.95

# Lowest Prices Largest Selection TTL IC's

Type	Sale	SN7438	.60	SN7481	1.50	SN74145	1.40
<input type="checkbox"/> SN7400	\$0.30	SN7440	.30	SN7482	.95	SN74151	1.25
<input type="checkbox"/> SN7401	.30	SN7441	1.40	SN7483	1.50	SN74153	1.60
<input type="checkbox"/> SN7402	.30	SN7442	1.25	SN7485	1.11	SN74154	2.10
<input type="checkbox"/> SN7403	.30	SN7443	1.35	SN7486	.55	SN74156	1.85
<input type="checkbox"/> SN7404	.35	SN7444	1.35	SN7489	3.75	SN74158	1.55
<input type="checkbox"/> SN7405	.32	SN7445	1.35	SN7490	1.50	SN74157	1.55
<input type="checkbox"/> SN7406	.35	SN7446	1.65	SN7491	1.50	SN74158	1.55
<input type="checkbox"/> SN7407	.45	SN7447	1.65	SN7492	1.10	SN74160	1.95
<input type="checkbox"/> SN7408	.35	SN7448	1.50	SN7493	1.10	SN74161	1.95
<input type="checkbox"/> SN7409	.35	SN7450	.35	SN7494	1.10	SN74162	1.95
<input type="checkbox"/> SN7410	.30	SN7451	.35	SN7495	1.10	SN74163	1.95
<input type="checkbox"/> SN7411	.35	SN7453	.35	SN7496	1.10	SN74164	3.50
<input type="checkbox"/> SN7413	.95	SN7454	.50	SN74100	1.49	SN74165	1.17
<input type="checkbox"/> SN7415	.55	SN7455	.35	SN74105	.55	SN74168	4.50
<input type="checkbox"/> SN7416	.55	SN7460	.35	SN74106	1.25	SN74182	2.50
<input type="checkbox"/> SN7417	.55	SN7464	.50	SN74107	.60	SN74185	2.50
<input type="checkbox"/> SN7420	.30	SN7465	.50	SN74108	1.25	SN74189	1.95
<input type="checkbox"/> SN7421	.35	SN7470	.50	SN74112	1.25	SN74193	1.20
<input type="checkbox"/> SN7422	.35	SN7472	.50	SN74113	.25	SN74194	1.95
<input type="checkbox"/> SN7426	.37	SN7473	.65	SN74114	1.25	SN74195	1.35
<input type="checkbox"/> SN7430	.30	SN7474	.65	SN74121	.70	SN74198	2.65
<input type="checkbox"/> SN7432	.30	SN7475	.75	SN74122	1.75	SN74199	2.65
<input type="checkbox"/> SN7437	.60	SN7476	.95	SN74123	.20	SN74200	9.99
		SN7478	.75	SN74140	.50		
		SN7480	.75				

## INTEGRATED CIRCUIT SOCKETS

Buy Any 3 - Take 10% Discount!  
 14-Pin, dual in line \$4.45  
 16-Pin, dual in line \$5.00  
 TO-5, 8 or 10 pins .29

## WIRE-WRAP INTEGRATED CIRCUIT SOCKETS

14-Pin ..... 79c each  
 16-Pin ..... 3 for \$2.00

## LINEAR Op Amps

FACTORY GUARANTEED	FACTORY TESTED	FACTORY MARKED
531 Hi slow rate op-amp (TO-5)		\$2.50
532 Micro power 741 (TO-5)		2.50
533 Micro power 709 (TO-5)		3.95
534 Input op amp (TO-5)		2.50
537 Precision 741 (TO-5)		2.04
540 70W pwr driver amp (TO-5)		2.50
550 Precision 723 voltage reg. (DIP)		1.00
555 Timer 2 uSeconds to 1-hr (A)		2.50
558 5 times faster than 741C		.88
558 Dual 741 (mini DIP)		3.25
560 Phase lock loops (DIP)		3.25
561 Phase lock loops (DIP)		3.25
562 Phase lock loops (DIP)		3.25
563 Phase lock loops (A)		3.25
566 Function generator (A)		3.25
567 Tone generator (A)		3.10
595 Four quadrant multiplier		.44
702C Ni-grain, DC amp (TO-5)		1.00
702C Inp. amp, 14 cts (TO-5)		.44
709C Operational amp (A)		.44
709CV Op amp (mini DIP)		.44
710C Differential amp (A)		.44
711C Dnt. diff. comp (A)		.44
723C Voltage regulator (A)		.95
741C Frequency compensator 709 (A)		.49
741CV Freq. comp 709 (Mini DIP)		1.25
747C Dual 741C (A)		.44
748C Freq. adj. 741C (A)		.49
748CV Freq. adj. 741C (mini DIP)		1.00
709-709 Dual 709C (DIP)		1.98
739-739 Dual stereo preamp		1.00
741-741 Dual 741C (A)		.69
7545C Dual peripheral driver (DIP)		.69

## NATIONAL 'OP' AMPS

BUY ANY 3 — TAKE 10%

Type	Description	Price
LM-300	Super 723 V. reg.	\$1.49
LM-301	Hi-perform. amp	1.49
LM-302	Voltage follower	1.49
LM-304	Neg. V. reg.	1.49
LM-305	Pos. V. reg.	1.49
LM-307	Super 741	.59
LM-308	Super gain op amp	1.50
LM-309H	SV 200 mil V. reg.	1.50
LM-309K	SV 1-amp V. reg.*	2.25
LM-311	Comparator	1.50
LM-320	Minus 15V 1-amp V.R.*	2.95
LM-350	Dual peripheral driver	.89
LM-370	AGC squelch op amp	1.49
LM-371	R-F, I-F, op amp	.69
LM-373	100 W. 558, I-F strip	3.75
LM-380	2-watt audio amplifier	1.95

\*TO-3 case, — others TO-5

Similar to Mostek 5001. Outperforms Texas N. digit TMS1802. 14-pin DIP. Adds, multiplies, subtracts, and divides. Use with 7-segment readouts, Nixies, and LED's. We include schematics, instructions to build calculator.

## 12-DIGIT "CALCULATOR ON A CHIP"

Only **\$12.95** 3 for \$35

## NATIONAL EQUALS ON "DIGITAL CLOCK ON A CHIP"

\*Money Back Guarantee! Any "Chip" **\$12.88**  
 \*With Spec Sheet!

Mits	Description	Sale
5311	28-pin ceramic, any readout, 6-digits: A-B-D	\$12.88
5312	24-pin, ceramic, any readout, 4-digits: C-D	\$12.88
5313	28-pin, ceramic, any readout, 6-digits: A-C	\$12.88
5314	24-pin, plastic, LED and incandescent readouts, 6-digits	\$12.88

Code: A—Hold Count. C—1 PPS Output. B—Output Strobe. D—BCD

## LED MITY DIGITS "DCM'S"

**9.99** Digital Counting Modules  
 INCLUDES P.C. EDGE CONNECTOR — FREE

Will outperform any other DCM on the market today, not gaseous, not incandescent, but a device that will READ almost for life. MAN-4, Monsanto equal. Kit includes: 3 x 2" printed ckt board, with fingers tool. Side-mounting socket, MAN-4 resistors, 7448, 7475, 7490, booklet.

Terms: add postage. Phone Orders: Wakefield, Mass. (617) 245-3829 Retail: 16-18 Del Carmine St., Wakefield, Mass. (off Water Street) C.O.D.'S MAY BE PHONED

15c CATALOG on Fiber Optics, 'IC's, Semi's, Parts

# POLY PAKS

P.O. BOX 642H, LYNNFIELD, MASS. 01940

## HOT MOS FETS

2-MOS FETS, N channel 10k ohms 3N128, TO-18, RCA \$1  
 2-MOS FETS, DUAL GATE, N chan., 3N187-1, TO-18, \$1  
 2-MOS FETS, DUAL GATE, N chan., 3N140-1, TO-18, \$1

## LED—PHOTO—SOLAR "DOLLAR STRETCHERS"

3 — "LED'S", visible, micro-miniature, axial leads ..... \$1  
 2 — "LED'S", visible, jumbo, red, TO-18 ..... \$1  
 2 — PHOTO TRANSISTOR, with darlington amp filter, lens \$1  
 2 — PHOTO TRANSISTORS, with darlington amp, 2N5777 \$1  
 4 — PHOTO CELLS, Clairex, pancake, 3DK-70 ohms ..... \$1

Lowest prices on LED READOUTS **4.95** Buy 3 Take 10%  
 0-9 plus letters, for SN7446 or SN7447. Snaps in 1/4-pin DIP socket, 3/4 x 3/8 x 3/8", characters: 1/4 x 3/4", 5V, 20-mils per seg. characters: 1/4 x 3/16", Famous MAN-1 type.  Sockets .50 ea.

**\$2.95** Buy 3 Take 10%  
**LED**

This display is excellent for small portable electronics, such as DVM's, calculators, etc. Equivalent to Monsanto MAN 3A. Operates from 5V, 20 milliamperes, with 47 ohm dropping resistor.

## Potter & Brumfield KAP RELAYS

Excellent for "HAM" use as antenna switching, latching, transmit, receive, etc., and 100's of commercial or industrial uses. Includes plastic dust-cover with diagram and hookup info. 11-pin plug-in base. Contacts movable gold flashed silver, stationary overlay, with silver cadmium oxide movables. All contacts 10 amp 3PDT. Coil data, 115VAC 2250 ohms, 17.6 ma, 12 VDC 21 mils 1.68 ohms. Size: 2 1/4" x 1 5/16" W. 4". Center pin missing. Comar Mfg. type equal too. 3PDT

Your choice **\$2.98** 3 for \$7.50  
 115 VAC  12 VDC



## "INTRODUCTORY PRICES"

ST-5 BOARDS ONLY .....	\$ 5.25
ST-5 KIT OF ELECTRONIC PARTS .....	\$ 47.50
ST-5A BOARDS ONLY .....	\$ 5.25
ST-5A KIT OF ELECTRONIC PARTS .....	\$ 54.00
ST-6 BOARDS ONLY (These are the 8 original by W6FFC) .....	\$ 18.00
ST-6 KIT OF ELECTRONIC PARTS .....	\$128.50
MOD. KIT FOR UPDATING THE ST-5 TO THE ST5A .....	\$ 9.00

### PEMCO MODEL 50A FREQUENCY COUNTER SEMI-KIT .....

This is a fully assembled and tested board, you add only your own power supply and cabinet, etc. Write for details.

You must supply the cabinet, A.C. cord, meter, switches, etc. on all kits except where noted otherwise. (All prices are postage paid (we pay shipping).)

We will do most any printed circuit board for individuals or prototypes. If required we will also do the layout of the boards. All our boards are G-10 glass-epoxy solder plated and come drilled only. At present time we can do only single sided. All component parts used in our kits are new manufacturers stock. We Do Not Use Any Used or Surplus Parts. All inquiries are answered promptly.

## PEMCO ELECTRONICS MANUFACTURING

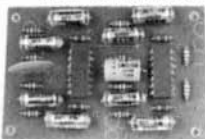
422 18th St., N.E., Salem, Ore. 97301, (503) 585-1641

## ACTIVE AUDIO FILTERS

IC's FOR SUPER HIGH PERFORMANCE

### CW FILTER (CWF-2)

Get razor sharp selectivity; No impedance matching! BW (selectable) 80 Hz, 110 Hz, 180 Hz; Center frequency F=750 Hz; Skirts 60 dB down at 1/2 F and 2F; 4 op amps; 2" x 3" PC board; \$14.95 wired, tested, guaranteed; \$12.95 kit.



CWF-2: \$12.95 KIT

### CW MINI FILTER (CWF-3)

1 1/2" x 2" PC board; Center frequency F=750 Hz; 30 dB down at 1/2 F and 2F; BW 110 Hz, 180 Hz; 2 op amps; \$8.95 wired, tested, guaranteed; \$7.95 kit.

### LOW PASS FILTER (LPF-1)

Resistors set cutoff 500 Hz to 20 kHz; Factory set to 2.5 kHz; Roll-off 48 dB per octave; Input imp 1 M; Gain=1; 5 op amps; 2" x 3" PC board; \$16.95 wired, tested, guar.; \$14.95 kit. Please include 55¢ postage on all orders.

## MFJ ENTERPRISES

P. O. BOX 494-A  
MISS. STATE, MS. 39762

## RADIO COMMUNICATION MAGAZINE

Many thousands of you have become very familiar with the various Radio Society of Great Britain books and handbooks, but very few of you are familiar with their excellent magazine, Radio Communication.

It includes numerous technical and construction articles in addition to a complete rundown on the month's events in amateur radio. Surely a most interesting addition to your amateur radio activities.

We can now offer this fine magazine to you along with the other advantages of membership in the RSGB (such as use of their outgoing QSL Bureau) for \$9.95 a year.

order today from

comtec

BOOKS

Greenville, New Hampshire 03048

## WORLD TIME-TELLER



GREAT for DX OP

A turn of knob and 2-color drum dial shows time your QTH and corresponding local time in all zones-also GMT. Fast-visual-great for sked making.

Map 2-color enamel on aluminum. Cabinet assembly of polished acrylic.

List: \$18.50 complete-plus postage. Kit: Complete \$14.75, or less cabinet and knobs (cab. dwgs. inc.) \$11.75

U-J Industries

6605 Shoal Creek Blvd.  
Austin, Texas 78757

## BOUND VOLUMES HAM RADIO MAGAZINE

available for

1970 — 1971 — 1972

14.95 per year postpaid

Have a deluxe Ham Radio collection

HAM RADIO

GREENVILLE, NH 03048

## DUAL BAND ANTENNAS

These ready to mount antennas consist of full 1/2 wavelength elements of No. 12 copperweld wire and can be used as either dipoles or inverted vees. No traps, coils, gimmicks, etc. are used to shorten the elements. 2KW rating. Single coax feedline required. Individually mounted dipoles with common center insulator: 80/40, \$21.95; 40/20, \$16.25; 20/15, \$14.10. Other combinations available. Send for free catalog listing dual band, monoband, and folded dipole antennas. Baluns available. Postpaid continental U. S. A.

HOUSE OF DIPOLES

P. O. BOX 8484

ORLANDO, FLORIDA 32806

# ECHO II



ALL  
SOLID  
STATE

STOCK  
FREQS:  
16/76  
22/82  
28/88  
34/94

**2 METER  
AMATEUR REPEATER — ONLY \$600.00**

PROVEN STATE OF THE ART DESIGN  
INSTALLATIONS WORKING GREAT IN U.S., EUROPE AND ASIA  
STOCK FREQS DELIVERED IMMEDIATELY, OTHERS 3-4 WEEKS  
WRITE FOR FREE DATA SHEET — FULL MANUAL \$5.00

## DYCOMM

948 AVENUE E P.O. BOX 10116  
RIVIERA BEACH, FLA. 33404



Radio Amateurs  
Reference Library  
of Maps and Atlas

**WORLD PREFIX MAP** — Full color, 40" x 28", shows prefixes on each country . . . DX zones, time zones, cities, cross referenced tables . . . postpaid **\$1.25**

**RADIO AMATEURS GREAT CIRCLE CHART OF THE WORLD** — from the center of the United States! Full color, 30" x 25", listing Great Circle bearings in degrees for six major U.S. cities: Boston, Washington, D. C., Miami, Seattle, San Francisco & Los Angeles. . . postpaid **\$1.25**

**RADIO AMATEURS MAP OF NORTH AMERICA!** Full color, 30" x 25" — includes Central America and the Caribbean to the equator, showing call areas, zone boundaries, prefixes and time zones, FCC frequency chart, plus informative information on each of the 50 United States and other Countries. . . postpaid **\$1.25**

**WORLD ATLAS** — Only atlas compiled for radio amateurs. Packed with world-wide information — includes 11 maps, in 4 colors with zone boundaries and country prefixes on each map. Also includes a polar projection map of the world plus a map of the Antarctica — a complete set of maps of the world, 20 pages, size 8 1/4" x 12" . . . postpaid **\$2.50**

Complete reference library of maps — set of 4 as listed above . . . postpaid **\$3.75**

See your favorite dealer or order direct.

**WRITE FOR  
FREE  
BROCHURE!**



**RADIO AMATEUR  
callbook INC.**  
Dept. E 925 Sherwood Drive  
Lake Bluff, Ill. 60044



### MODEL "A" Frequency Counter

10 Hz to 80 MHz ( $\pm 1$  Hz) Direct Count  
Guaranteed (1 Hz to over 100 MHz typical)  
Read Out: 5 digit LED + Over Range  
Sensitivity: 100 millivolts  
Either 120 VAC or 12 VDC power required  
Small Size: 2.34" x 5.68" x 8.18"  
Price: **\$250.00** FOB Vista, Ca.

### MODEL "AS" Frequency Counter

EXACTLY AS ABOVE PLUS AN INTERNAL  
SCALER ( $\pm 10$  Hz) 70 MHz to over 250 MHz  
DIRECT COUNT  
ONE BNC CONNECTOR FOR BOTH RANGES  
INTRODUCTORY PRICE UNTIL 1 SEPT. 1973:  
**\$325.00** FOB Vista, Ca.

(CA residents add sales tax)



**ELECTRONICS**  
P.O. BOX 1672  
VISTA, CA. 92083  
714-726-1313



# BARRY HAS ANTENNAS

English deluxe balun, low power .....	\$ 9.95
W2AU 10/15/20 Quad, bamboo .....	\$ 49.00
Joy Stick (English) with original tuner .....	\$ 29.00
UT-1 2 KW PEP deluxe type transmatch .....	\$ 85.00
RINGO AR-2 3.75 dB gain .....	\$ 12.50
BBLT-144 Trunk Lip, 3.75 dB gain .....	\$ 34.95
Newtronics CGT-144 mobile 5.2 dB gain .....	\$ 37.75
Quick Disconnect by Newtronics for CGT, etc.	\$ 9.95
CG-1 Gutter Clip by Newtronics .....	\$ 1.25
2M MAGNETIC MOUNT w/RG58 & PL259	
with 10 ft. RG 58 ready to go .....	\$ 9.95
14AVQ/WB VERTICAL .....	\$ 47.95
18AVT/WB VERTICAL .....	\$ 69.95
HY GAIN 2 METER, 15 element beam .....	\$ 35.00
NEW ULTRA BALUN 1:1 .....	\$ 9.95

C.D. HAM "M" ROTATORS, new, complete .....	\$99.95
HAM "M" CABLE .....	@ 13¢/ft.
C.D. TR-44 ROTATORS, new, complete .....	\$63.95
CABLE FOR TR-44 .....	6¢/ft.
RG-8A/U 100 ft. rolls, VHF connector .....	PL-259
one end Type "N" (UG-21E/U) other end .....	\$ 12.50
RG8A/U — 65 feet with PL-259 connectors on	
each end .....	\$9.50
B & W Vacationer apartment house antenna, 2,	
6, 10, 15 & 20 meters. Hang out your window.	
Take along on your vacation .....	\$ 24.95
Authorized factory dealers for Antenna Special-	
ists, CushCraft, Gam, Heights Towers, Hy Gain,	
Mor-Gain Antenna, Mosley, Newtronics, Tri-Ex,	
Rohn, E-Z Way, Times Wire	

## TEMPO

2 Meter Linear Amplifiers, 502, 5-12 watts input,	
35-55 watts output .....	\$105.00
802-B 1-2½ watts input, 80-90 watts output	
.....	\$195.00
TEMPO FMH 2 Meter Transceiver, 2 watt, 6	
channel, handheld .....	new, \$189.00

## INVERTER/CONVERTER:

MODEL 612 is a special purpose unit to provide	
12 VDC negative ground power in automobiles	
with either 6 volt negative ground or 12 volt	
positive ground. 10 amp surge, 3 amp contin-	
uous .....	new, \$22.95
INVERTER, 12 volt DC input, 115 volt AC out,	
Model 12-115 solid state power supply, 200	
watts continuous .....	new, \$ 59.95

## DX ENGINEERING

### SPEECH COMPRESSORS

DIRECT PLUG-IN FOR COLLINS 32S .....	\$79.50 ppd. U.S.A.
DIRECT PLUG-IN FOR KWM — 2 .....	\$79.50 ppd. U.S.A.

**NEW! VENUS SSTV MONITOR.** Advanced features. Late Summer availability. Ask for details.

## MISC.

Millen magnetic shields for 3" C.R. scope tubes	
with brackets. .... Brand new \$ 6.95	
TP-9 Similar to EE-8 field telephone with built-	
in amplifier. Up to 50 mi. Less easily obtained	
batteries .....	Brand New \$ 75.00
ALUMINUM DIE CAST BOXES in many different	
sizes. Dossy boxes. Details in New Green Sheet	
No. 23.	
2 METER VHF DUMMY LOAD/WATTMETER	
Good up to 15 watts — w/SO-239 CONNECTOR	
.....	\$19.95



Jackson G80 brass 50:1 anti-back-	
lash dial drive ¼" to ¼". .....	\$12.00
value .....	\$5.50

## SWR BRIDGE COUPLER, DC-800 MHZ

(no indicator) full amateur power

**\$10.95**

## BIRD

4350 80-10M 2KW Ham Mate .....	\$ 79.00
43 Wattmeter .....	\$100.00
BIRD 43 SLUGS, spec. freq./power .....	\$ 35.00



## GE INDUSTRIAL SILICON RECTIFIER

1200 PRV

250 amp., GE #41A281049-11. Quan-	
tities in stock. \$90.00 value, brand	
new .....	\$22.50

Tube Headquarters. Diversified Stock.  
Heavy inventory of Eimac tubes,  
chimneys, sockets, etc.

**572B .....** \$ 17.50

Barry Now Stocks Bogen, Electrovoice & University. Call or Write.

Large stock of inductors by B & W and Air Dux. Write or Order.

Barry has lots of James Millen and National Radio parts in stock.

## BARKER & WILLIAMSON

Dummy Load - Wattmeters - 520 .....	
333 DC - 300 MHz, 1000 watts int. ....	\$139.95
334A DC - 230 MHz, 1500 watt .....	\$169.95
374 DC - 300 MHz, 250 watt int. ....	\$ 79.95
850A, 852 Inductors .....	\$ 59.95
851 Inductor .....	\$ 29.95
425 Low Pass Filter, 10-80 meters .....	\$ 24.95
210 Audio Osc., ideal for lab & broadcast	
.....	\$329.95
410 Distortion Meter, ideal for lab & broadcast	
.....	\$369.95
AM-141 Amplifier, 2000 watts RF output, con-	
tinuous 2-18 MHz, complete with coils and	
833-A's. Built-in 115 VAC Supply, unused	
.....	\$950.00

## E. F. JOHNSON

Matchbox complete with directional coupler and	
indicator, 10-80 meters, 2KW PEP, 1 KW AM	
.....	new, \$154.50
151-1-4 Variable Capacitor, 250 pF, medium	
Xmitting type .....	\$29.95 ea.

Separate export department to expedite overseas orders.

CASH PAID . . . FAST! For your unused TUBES, Semiconductors, RECEIVERS, VAC. VARIABLES, Test Equipment, ETC. Write or call Now! Barry, W2LN1. We Buy!

We ship all over the World.

Send for Green Sheet Supplement 23.

Send 10¢ plus 40¢ postage & handling (refund 1st order).

Pay us a visit when you are in New York. Thousands of unadvertised specials.

**BARRY** 512 Broadway NY, NY 10012  
DEPT. H-6  
212-WA-5-7000 **ELECTRONICS**



**CUSH-CRAFT 2M ANTENNAS:  
IN STOCK... SHIPPING PREPARED!**

UR-2 - FM-RINGO - 3.75 DB Gain - 135-175 MHz - 100W Omnidirectional - ..... \$12.50
UM-1D - FOLE - 1 Up to 9 DB Gain! - Microhardware - 360° FOV - 100° 9 DB - ..... \$12.50
UM-1E - FM-MOBILE - 3.0 DB Gain! - Fold-down - Boost or Ground - ..... \$26.95
UV-1E-1 - 0 ELEMENT YAGIS - 13.2 DB Gain! - Can be Vertically Polarized - ..... \$17.95
UV-1E-2 - POWER PACKS - 14 DB Gain! - Also UV-1E-1 and Complete Stacking Kit - ..... \$19.50
UV-1E-1 - ELEMENT YAGIS - 9 DB Gain! - 1 KW - Magnet and Top Side Mount - ..... \$ 9.95
UV-120 - 20 ELEMENT DY ARRAYS - 11.2 DB Gain! - Combine the Best Yagi and Colinear Features - 2 Can be Stacked Up to 80 dB Directivity - Dynamic for DX and Moonbounce - ..... \$29.50

**ISA FOR COMPLETE CUSH-CRAFT CATALOG... IN MATTER, COMMERCIAL, OR**

Catalog Number	Qty. Multiplies of 10 Per Item (Mix)				Catalog Number	Qty. Multiplies of 10 Per Item (Mix)			
	1-99	100-999	1000-9999	10000-99999		1-99	100-999	1000-9999	10000-99999
7400	.34	.32	.30	.28	74175	2.00	1.90	1.80	1.70
7401	.34	.32	.30	.28	74180	1.30	1.23	1.16	1.09
7402	.34	.32	.30	.28	74181	5.20	4.90	4.60	4.30
7403	.34	.32	.30	.28	74182	1.26	1.19	1.12	1.05
7404	.36	.34	.32	.30	74192	2.10	2.00	1.90	1.80
7405	.36	.34	.32	.30	74193	2.10	2.00	1.90	1.80
7406	.56	.53	.50	.47	74194	3.10	2.95	2.80	2.65
7407	.56	.53	.50	.47	74199	3.10	2.95	2.80	2.65
7408	.38	.36	.34	.32					
7409	.38	.36	.34	.32					

Catalog Number	Qty. Multiplies of 10 Per Item (Mix)				Catalog Number	Qty. Multiplies of 10 Per Item (Mix)			
	1-99	100-999	1000-9999	10000-99999		1-99	100-999	1000-9999	10000-99999
7410	.34	.32	.30	.28	74800	.80	.81	.79	.75
7411	.34	.32	.30	.28	74801	.80	.81	.79	.75
7413	.51	.48	.45	.42	74802	.80	.81	.79	.75
7416	.51	.48	.45	.42	74804	1.00	.95	.90	.85
7417	.51	.48	.45	.42	74805	1.00	.95	.90	.85
7418	.38	.36	.34	.32	74806	.80	.81	.79	.75
7420	.34	.32	.30	.28	74809	.80	.81	.79	.75
7421	.34	.32	.30	.28	74810	.80	.81	.79	.75
7423	.40	.38	.36	.34	74815	.80	.81	.79	.75
7425	.54	.51	.48	.45	74820	.80	.81	.79	.75

Catalog Number	Qty. Multiplies of 10 Per Item (Mix)				Catalog Number	Qty. Multiplies of 10 Per Item (Mix)			
	1-99	100-999	1000-9999	10000-99999		1-99	100-999	1000-9999	10000-99999
7426	.40	.37	.34	.31	74821	.80	.81	.79	.75
7433	.51	.48	.45	.42	74822	.80	.81	.79	.75
7437	.56	.53	.50	.47	74823	1.00	.95	.90	.85
7438	.56	.53	.50	.47	74830	.80	.81	.79	.75
7440	.34	.32	.30	.28	74831	.80	.81	.79	.75
7441	1.74	1.62	1.50	1.38	74832	.80	.81	.79	.75
7442	1.34	1.27	1.20	1.13	74834	.80	.81	.79	.75
7443	1.34	1.27	1.20	1.13	74835	.80	.81	.79	.75
7444	1.34	1.27	1.20	1.13	74837	1.82	1.73	1.63	1.54
7445	1.74	1.62	1.53	1.43	74838	1.82	1.73	1.63	1.54

Catalog Number	Qty. Multiplies of 10 Per Item (Mix)				Catalog Number	Qty. Multiplies of 10 Per Item (Mix)			
	1-99	100-999	1000-9999	10000-99999		1-99	100-999	1000-9999	10000-99999
7446	1.34	1.27	1.20	1.13	74807	1.82	1.73	1.63	1.54
7447	1.34	1.27	1.16	1.09	74812	1.82	1.73	1.63	1.54
7448	1.34	1.27	1.20	1.13	74813	1.82	1.73	1.63	1.54
7450	.34	.32	.30	.28	74814	1.00	.95	.90	.85
7451	.34	.32	.30	.28					
7453	.34	.32	.30	.28					
7454	.34	.32	.30	.28					
7459	.34	.32	.30	.28					
7460	.34	.32	.30	.28					
7470	.46	.43	.40	.37					

Catalog Number	Qty. Multiplies of 10 Per Item (Mix)				Catalog Number	Qty. Multiplies of 10 Per Item (Mix)			
	1-99	100-999	1000-9999	10000-99999		1-99	100-999	1000-9999	10000-99999
7472	.40	.38	.36	.34	NE501A	2.99	2.82	2.66	2.49
7473	.52	.49	.46	.43	NE520A	3.59	3.38	3.17	2.95
7474	.52	.49	.46	.43	NE540A	3.59	3.38	3.17	2.95
7475	.80	.76	.72	.68	NE536T	7.51	6.98	6.45	6.02
7476	.58	.55	.52	.49	NE507	2.06	2.25	2.00	1.95
7480	.80	.76	.72	.68	NE507T	1.87	1.20	3.92	3.64
7481	1.10	1.00	1.00	1.00	NE520A	1.30	1.23	1.16	.99
7483	1.72	1.64	1.56	1.48	NE555A	1.10	1.03	1.00	.95
7485	1.58	1.51	1.44	1.37	NE555T	1.20	1.95	1.80	1.65
7486	.60	.57	.54	.51	NE559V	1.00	.95	.90	.85

Catalog Number	Qty. Multiplies of 10 Per Item (Mix)				Catalog Number	Qty. Multiplies of 10 Per Item (Mix)			
	1-99	100-999	1000-9999	10000-99999		1-99	100-999	1000-9999	10000-99999
7490	.85	.80	.75	.70	NE560B	3.57	3.36	3.15	2.94
7491	1.40	1.31	1.24	1.27	NE561B	3.57	3.36	3.15	2.94
7492	.85	.80	.75	.70	NE562B	3.57	3.36	3.15	2.94
7493	.85	.80	.75	.70	NE565A	4.57	3.36	3.15	2.94
7494	1.32	1.26	1.20	1.14	NE566V	3.57	3.36	3.15	2.94
7495	1.32	1.26	1.20	1.14	NE567V	3.57	3.36	3.15	2.94
7496	1.32	1.26	1.20	1.14	NS141A	.90	.86	.82	.78
74100	1.80	1.70	1.60	1.50	NS595A	3.10	3.20	3.00	2.80
74101	.70	.67	.64	.61	NS596A	1.87	1.77	1.66	1.56
74105	.70	.67	.64	.61	709V	.50	.47	.44	.41

Catalog Number	Qty. Multiplies of 10 Per Item (Mix)				Catalog Number	Qty. Multiplies of 10 Per Item (Mix)			
	1-99	100-999	1000-9999	10000-99999		1-99	100-999	1000-9999	10000-99999
74107	.54	.51	.48	.45	710A	.50	.47	.44	.41
74122	.60	.57	.54	.51	711A	.55	.52	.49	.46
74123	.74	.71	.66	.62	723A	1.00	.95	.90	.85
74125	1.30	1.20	1.10	1.00	733A	1.90	1.80	1.70	1.60
7414	1.75	1.66	1.57	1.48	741V	.55	.52	.49	.46
74145	1.50	1.43	1.36	1.29	747A	1.10	1.04	.98	.92
74150	2.00	1.85	1.70	1.55	748V	.60	.57	.54	.51
74151	1.30	1.24	1.18	1.12	1M335	2.85	2.72	2.64	2.55
74153	1.70	1.60	1.50	1.40	1M336	3.03	3.06	3.16	3.27
74154	2.75	2.55	2.35	2.05	1M337	1.05	3.70	3.51	3.31

Catalog Number	Qty. Multiplies of 10 Per Item (Mix)				Catalog Number	Qty. Multiplies of 10 Per Item (Mix)			
	1-99	100-999	1000-9999	10000-99999		1-99	100-999	1000-9999	10000-99999
74155	1.56	1.49	1.42	1.35	IN270	.15	.14	.13	.12
74156	1.16	1.39	1.31	1.23	IN944	.10	.09	.08	.07
74157	1.56	1.49	1.42	1.35	IN1001	1.10	1.09	.08	.07
74158	1.56	1.48	1.39	1.31	IN8002	.11	.10	.09	.08
74160	2.20	2.10	2.00	1.90	IN1003	.15	.12	.11	.10
74161	2.20	2.10	2.00	1.90	IN4006	.15	.13	.13	.12
74162	2.20	2.10	2.00	1.90	IN217A - thru				
74163	2.20	2.10	2.00	1.90	IN758A	.25	.22	.19	.16
74164	2.20	2.10	2.00	1.90	2N4860	.25	.23	.21	.19
74166	2.20	2.10	2.00	1.90					

All IC's are supplied in 8-, 11-, or 24-pin DIP (Dual-in-line) plastic or ceramic package except for NE536, NE540, and NE540 which come in TO-3 package. Voltage Regulators 1M333, 1M336 and 1M337 are supplied in TO-3 (Diamond) package.

We give FREE data sheets upon request, so ask for those data sheets that you NEED, even for those listed IC's that you are not buying.

**LED 7-SEGMENT DISPLAY:**

Solid State Systems has now expanded it's line of LED Displays and also reduced their cost. The following are now available from us at these prices.

	1-49	50-99	100-199	500-999	1,000 up
SSS-1	4.50	4.25	3.75	3.40	3.00
SSS-1C	4.75	4.50	4.00	3.65	3.25
SSS-2	4.50	4.25	3.75	3.40	3.00
SSS-3	7.75	7.50	7.00	6.75	6.50
SSS-4	7.75	7.50	7.00	6.75	6.50
SSS-7	3.50	3.25	3.00	2.75	2.50
SSS-8	3.50	3.25	3.00	2.75	2.50
MiniTrons*	3.00	2.75	2.50	2.25	1.90

The SSS-7 and SSS-8 are the common .33 in character height 7-segment and overflow display respectively, with decimal point on the left and wide angle viewing. The SSS-1 and SSS-2 have the same physical dimensions as the SSS-7 and SSS-8 with increased life and slightly lower current requirement. The SSS-3 is the same as the SSS-4 except it has a colon instead of a decimal point, making it ideal for use in a digital clock. The SSS-3 and SSS-4 are the new giant .77 in character height 7-segment and overflow display respectively, with decimal point on the right and readability up to 10 feet. \*Also included above is a new reduced price on our Incandescent 7-segment display.

Package of 3, 1/4 watt current limiting resistors ..... \$0.30.

**MOLEX IC SOCKET PINS:** Use these economical pins instead of soldering your IC's to PC boards. Sold in continuous strips in multiples of 100 pins only.

100 for \$1.00	200 for \$1.80	300 for \$2.60	100 for \$3.40
500 for \$4.20	600 for \$5.00	700 for \$5.80	800 for \$6.60
900 for \$7.40	1000 for \$8.20	each additional 1,000 \$7.50	

Dual-in-line SOCKETS. Brand new with gold plated pins.

	1-49	50-99	100-199	500-999	1,000 up
14 Pin	.90	.45	.40	.35	.25
16 Pin Solder	.50	.50	.45	.40	.30
16 Pin Wire-Wrap	.55	.50	.45	.40	.30
14 Pin Closed-Entry	.05	.05	.01	.04	.03
16 Pin Cap	.05	.05	.01	.04	.03

**STANOR TRANSFORMERS:** Ideal for use with LM series.

P-R100 25:2VCT, 1 amp	..... \$3.00
P-R133 6:3VCT, 1.2 amp	..... \$2.75

**HEAT SINKS:** Washfield series 600 circuit board coolers, 1/2" high with a dissipation up to 20 watts. Designed for use with TO-3 package.

	1-49	50-99	100-199	500-999	1,000 up
Type 600 - 1.25A	1.20	1.10	1.00	.90	.80

**ALLEN-BRADLEY MIL-GRADE (5-band) RESISTORS.** Any of the 84 STANDARD 10% values from 2.75Ω to 22MΩ (½ WATT). EACH

.....	..... \$0.05.
-------	---------------

**CERAMIC DISC CAPACITORS.** Type 5GA-1000WVDC.

3, 7.5, 10, 12, 15, 20, 25, 27, 30, 33, 39, 50, 56, 68, 75, 82, 100, 120, 150, 180, 200, 220, 250, 270, 300, 330, 360, 390, 470, 500, 560, 680, 750, 820, 1000, 1200, 1500, 1800, 2000, 2200, 2500, 2700, 3000, 3300, 3600, 4700, 5000µF.

EACH	..... \$1.10
0.01µF EACH	..... \$0.11
0.02µF EACH	..... \$0.12

**LOW VOLTAGE DISCS.** Type UK.

1.0µF, 3V	..... \$0.25	0.47µF, 3V	..... \$0.25	0.2
-----------	--------------	------------	--------------	-----



# flea market



■ **RATES** Commercial Ads 25¢ per word; non-commercial ads 10¢ per word payable in advance. No cash discounts or agency commissions allowed.

■ **COPY** No special layout or arrangements available. Material should be typewritten or clearly printed and must include full name and address. We reserve the right to reject unsuitable copy. **Ham Radio** can not check out each advertiser and thus cannot be held responsible for claims made. Liability for correctness of material limited to corrected ad in next available issue. Deadline is 15th of second preceding month.

■ **SEND MATERIAL TO:** Flea Market, Ham Radio, Greenville, N. H. 03048.

**EXCLUSIVELY HAM TELETYPE** — 20th year. RTTY Journal, articles, news, DX, VHF, classified ads. Sample 30¢. \$3.00 per year. Box 837, Royal Oak, Michigan. 48068.

**2ND OP** — W9IOP's amazing DX calculator quickly gives you the information you are looking for. Just \$2.00. Comtec, Greenville, N. H. 03048.

**WORLD QSL** — See ad page 88.

**VERY in-ter-est-ing!** Next 6 big issues \$1. "The Ham Trader," Sycamore IL 60178

**HELP WZKUV.** Here is a deserving old timer, who needs some gear to get back on the air at his nursing home. Will anyone give or loan him enough gear to get going again? Write John Sanford, Amchare Heritage Hall, 524 Hamilton Road W., Neptune, N. J. 07753.

**16TH ANNUAL PICNIC AND HAMFEST**, on Sunday August 5th at the Frankfort Picnic Grove, 1 mile north of U. S. 30 on U. S. 45, Frankfort, Ill. Food and Drinks, Swap and Shop. Advance registration \$1.50. Admission at gate \$2.00. For further information and advance tickets contact Val Hellwig, K9ZVW, 3420 South 60th Court, Cicero, Ill. 60650.

**SIGNAL ONE OWNERS**, expert and prompt service by ex-Signal/One employee. Write or call for details. Larry Pace, K2IXP/7, 1071 W. Roller Coaster, Tucson, AZ. 85704 (602-888-5234).

**FOR YOUR FUTURE ROBYN RADIOS** send your order to, Two Way Radio Sales, 1501 Monroe Street, Bogalusa, La. 70427 or 202 Farrell Street, Picayune, Miss. 39466.

**DISCOUNT SPECIALS!** Clegg FM-27A @ \$378! Standard SR-C146 @ \$219.50, SR-C826M @ \$258! Genave, Miida, Mosley, Tri-Ex, Gladding, Sonar, Shakespeare, many others. Also Marine and C.B. Arena Communications, Dept. C., 1169 N. Military Highway, Norfolk, Virginia 23502.

**MOBILE IGNITION SHIELDING** provides more range with no noise. Available most engines in assembled or kit forms, plus many other suppression accessories. Free literature. Estes Engineering, 543-H West 184th, Gardena, California 90248.

**TOROIDs**, iron "E" powder 80-10 meters. .500" — 8/\$1.00, .680" — 5/\$1.00, .940" — 4/\$1.00, 1.437" — 75¢ each or 3/\$2.00, 2.310" — \$1.50 or 3/\$4.00. Please include 50¢ postage, slightly more on large orders. Fred Barken, WA2BLE, 274 E. Mt. Pleasant Ave., Livingston, N. J. 07039.

**BARGAIN HUNTERS!** Don't miss out. Closeout of 18th Edition of W6SAl's Radio Handbook, list \$13.50, only \$7.95 ppd. while they last. Comtec, Greenville, N. H. 03048.

**FIGHT TVI** with the RSO Low Pass Filter. For brochure write: Taylor Communications Manufacturing Company, Box 126, Agincourt, Ontario, Canada. MIS 3B4

**6939's, 6360's GUARANTEED** good, \$2.50 each. Jack Elliano W6TNR, 15718 Mayall, Sepulveda, Calif. 91340.

**CANADIANS: COLLINS 75A2 \$200.** Technical Material Corp. exciter SBE2, \$250. FR4/U Frequency Meter, \$100. All with manuals and in excellent condition. John Dobroschinsky, Ve3 DDD, Newcastle, P. O. LOA 1HO.

**CAPE COD'S** fabulous Hyannis! N. E. ARRL Convention, September 29 & 30. Flea market, seminars, FM, SSTV, AMSAT, YL trips, 2 pools, golf, beaches, sailing. Early bird registration \$3. W1KCO, 572 Berkley Street, Taunton, MA. 02780.

**QSL'S.** Second to none. Same day service. Samples 25¢. Ray, K7HLR, Box 331, Clearfield, Utah 84015.

**WANT OLD RADIO SHOW TRANSCRIPTION** discs. Any size or speed. Send details to, Larry Kiner, W7FIZ, 7554 132nd Ave. N.E., Kirkland, Wa. 98033.

**ANTIQUE RECEIVERS:** 1923 Freed-Eiseman NR-5 Neurodyne, 2 - Atwater Kent with Philco Model 4 short wave converter. Sell or trade for tower, beam, etc. Make offer. Ben Doe, W1GQU, 210 Central, Gardiner, Maine 04345.

**HALF KW LINEAR** for 432 MHz (w. 4CX250B) new \$350. Low noise 2 mtr converter and tuner (8 transistors, output 9 MHz for xtal filter IF) new \$45. 50 W 2 mtr linear (solid state) new \$50. UHF reflectometer, new \$15. 4CX250B new \$10. Henry Ingwersen, 33 Jewett Street, Georgetown, Massachusetts 01833, 617-352-2858.

**REPEATER IDENTIFIER AC** supply, timer, oscillator — all on one glass epoxy PC board pre-programmed with your call \$69.95 complete, wired and tested. Write for brochure and specs. Tobel Electronics, 7920 Alida St., La Mesa, Calif. 92041.

**WARREN HAMFEST**, Largest family style Hamfest in East. Sunday, August 19th, at famous Yankee Lake Park. Giant Fleamarket, swimming, picnicing — All free. QSL W8VTD, Box 809, Warren, Ohio 44482.

**WANTED** — Hammarlund SP-600JX21 receivers — Need 20 or more. P. O. Box 4039, Foster City, California 94404.

**MANUALS** for most ham gear made 45/65, some earlier. Send SASE for copy quote. Hobby Industry, W0JJK, Box 864, Council Bluffs, Iowa 51501.

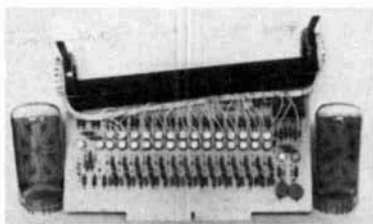
**NEW SCANNER BOOK** from Sams, includes comprehensive servicing data for 30 popular UHF and VHF Scanner-Monitor receivers including models by B & K, Browning, Johnson, Midland, Pace, Pearce-Simpson, Penney's, Realistic, Sonar and Teubury. Just \$4.95 postpaid from Comtec, Greenville, N. H. 03048.

**RTTY SPEED CONVERTER.** A drilled 4" x 6 1/2" PCB and all components except input output jacks, power supply and chassis. See Dec. '71 and Oct. '72 issue of Ham Radio. \$40.00 postpaid. PCB only \$6.00. P & M Electronics, Inc., 519 South Austin, Seattle, Washington 98108.

**TELL YOUR FRIENDS** about Ham Radio Magazine.

**GIANT B-7971 NIXIES** (2) with 2 sockets and driver board containing hi voltage transistors. Complete plug-in board as removed from operational equipment. Schematics included. Unbelievable but true . . . just \$2.50 for the complete package. #72S-10 \$2.50

**NIXIE TUBE — B-7971 ALONE \$1**



**Mod. 28-LPR Typing Reperf**, 5 level 100 wpm w/motor **\$35.00**

**Mod. 28-LARP non-typing reperf**, 5 level less motor **\$10.00**

**Mod. 28-LBX-D1 Trans/Dist**, with motor, 5 level **\$25.00**

**COMBO DEAL — 1 ea. of above 3 units;**  
**\$60.00**

Please add postage for above.

**JOHN MESHNA JR. ELECTRONICS P. O. Box 62 E. Lynn, Mass. 01904**

## 15¢ IC BONANZA

Brand new DTL dual inline (DIP) package, factory marked ceramic type. The price is too good to be true. Fully guaranteed and with specs.

- 930 Dual 4 input NAND gate** similar to 7420
- 931 Clocked flip flop** similar to 74110
- 932 Dual 4 input Expand Buff** similar to 7440
- 933 Dual 4 input expander** similar to 7460
- 936 Hex Inverter** similar to 7405
- 945 JK Flip Flop** similar to 74110
- 946 Quad 2 input gate** similar to 7400
- 962 Triple 3 input gate** similar to 7410  
15¢ each

IC's — Buy \$100 worth and deduct 10%

**MEMORY CORE STACK \$50.00**  
64 x 64 x 9 (38,865 cores)

**MEMORY CORE STACK \$100.00**  
32 x 32 x 16 x 9 (147,456 cores)

**4096 CORE**, single frame **\$9.00**

**16,384 CORE**, single frame **\$15.00**



KM-420 CW MESSAGE MEMORY  
100 OR 200 CHARACTERS \$299.95

Write for  
Brochures EK-420 C-MOS DELUXE REVER  
FOR ORP OR KW \$139.95

**CURTIS**

**ELECTRO  
DEVICES**

TEL: (415) 964-3138  
INC. BOX 4090, MOUNTAIN VIEW, CA. 94040

NEW FOR 1973

### THE RECIPROCATING DETECTOR

As a Kit \$36.....Wired \$45

State your IF Frequency

**PETER MEACHAM ASSOCIATES**

19 Loretta Road, Waltham, Mass. 02154

2 METER FM

## GLADDING 25™

• Full 25 watts output • Six channel capability — Crystals supplied for 146.34/.94 and 146.94/.94 • Complete with mounting cradle and microphone

**Special Package Price**

INCLUDING AC POWER SUPPLY

**Only \$275**

Write for Price and information on the new Gladding Model 650 2 Meter FM Porta-Pack

**BOB'S DISCOUNT ELECTRONICS**

720 N. HUDSON, OKLAHOMA CITY, OK 73102  
405-232-1384

WE PAY **HIGHEST**  
PRICES FOR ELECTRON  
TUBES AND SEMICONDUCTORS

## H & L ASSOCIATES

ELIZABETHPORT INDUSTRIAL PARK

ELIZABETH, NEW JERSEY 07206

(201) 351-4200

## FM Schematic Digest

A COLLECTION OF  
MOTOROLA SCHEMATICS

Alignment, Crystal, and Technical Notes  
covering 1947-1960

136 pages 11½" x 17" ppd **\$6.50**

**S. Wolf**

**P. O. Box 535**

**Lexington, Massachusetts 02173**

**NAME YOUR DEAL!** Following items offered either "Fully reconditioned with 90-day guarantee" or "Working condition — AS-IS" (price in parenthesis): Viking II's \$35 (\$25), Viking II with 122 VFO \$79 (\$59), Valiants \$99 (\$89), Rangers \$85 (\$75), excellent Ranger II \$129 (\$119), Globe LA-1 Linear \$55 (\$45), Johnson Courier Linear \$85 (\$75), National NC-173 \$59 (\$49), Heath TX-1 \$59 (\$49), Gonset IV \$99 (\$85), Johnson 6-N2 Converter \$25 (\$20), Heath SB-10 \$50 (\$40). Write: Burghardt Amateur Center, Box 73H, Watertown, S. D. 57201.

**DUMMY LOAD** up to 500 W PEP. New (with oil) \$7.95. 2M turnstile antenna new \$7.95, SB610 monitors scope, mint \$85. Wanted 8122 tubes, VFO matchbox SWR. W2FNT, 18 Hillcrest Ter., Linden, N. J. 07036.

**STOLEN:** The following pieces were taken from the Muskegon Area Amateur Radio Council Club station sometime during the week of March 12th. Any information may be sent to the MAARC, P. O. Box 691, Muskegon, Mich. 49443 or WA8GVK. AC 616-722-3910 or 744-1400. Equipment: Electro-Voice 641 MIC on astatic GN series stand, Drake R4B receiver SN 11578G, Drake T4XB transmitter SN 17801G, Drake W4 wattmeter SN 8390, Swan 250 transistorer SN F154806, Swan AC supply SN 0653556.

**BOUND VOLUMES.** The deluxe answer to a perfect Ham Radio Magazine collection. 1970, 1971 & 1972 now available. \$14.95 postpaid. Ham Radio, Greenville, NH 03048.

**MODERNIZE FOR PEANUTS!** Frame & Display QSL's with 20 pocket plastic holders. Two for \$1.00, seven for \$3.00. Prepaid, guaranteed. Universally used and approved. Order now. TEPABCO, Box 198H, Gallatin, Tennessee 37066.

**PRINTED CIRCUIT DRILL BITS.** Trumbull, 833 Balra Drive, El Cerrito, California 94530.

**EQUIPMENT FOR SALE:** One Tempo FMP with all accessories and four sets of crystals for \$200. Drake FET converter with power supply for \$80. Thomas S. Jacobsen, 3371 Decatur Ave., Bronx, N. Y. 10467.

**STOLEN:** G-76 Transceiver #25682 with calibrator #20560. Please call 203-644-1110.

**THE M.R.A.** is holding their 2nd annual (Father's Day) Hamfest, June 17, 1973 at 8103 Austin Rd., Schererville, Ind. 46375, starting at 8:00 a.m. to 4:00 p.m. Free coffee, plenty of parking, call-in 146.94 FM. All sellers, buyers, swappers & browsers are invited

**WE BUY ELECTRON TUBES,** diodes, transistors, integrated circuits, Semiconductors. Astral Electronics, 150 Miller Street, Elizabeth, New Jersey 07207, (201) 354-2420.

**REPAIR TV TUNERS** — High earnings, complete course details, 12 repair tricks, many plans, two lessons, all for \$1. Refundable. Frank Bocek, Box 3236 (Enterprise Branch), Redding, Ca. 96001.

**90-DAY GUARANTEE** on all these Fully Reconditioned receivers: Drake 2-C/2-CQS \$219, Hallicrafters SX-99 \$79, SX-101 \$129, SX-101 Mark-3A \$139, Hammarlund HQ-100 \$129, HQ-100AC \$129, HQ-110C \$119, HQ-110AC \$139, HQ-170AC \$189. More arriving daily. Write: Burghardt Amateur Center, Box 73H, Watertown, S. D. 57201.

**QSL'S** — BROWNIE W3CJ1 — 3111B Lehigh, Allentown, Pa. 18103. Samples 10¢. Cut catalogue 25¢.

**GIVE ME FIVE MINUTES OF YOUR TIME:** And I'll show you how to crack the computer code on those utility and charge card bills. Rush name, address and \$1.95 to Data Guide, P. O. Box 1205, Garland, Texas. 75040.

**SELL:** Panoramic Adapter AN/APA 10, three inputs, 455 kHz, 5.25 MHz, and 30 MHz. Power supply converted to 60 Hz, spare parts and manual included, \$40. Coaxial Oscillator 1000 to 3000 MHz, part of APR-5A receiver, with 2C 40 tube \$65, without tube \$45. W8LRN, 4425 Streetsboro Rd., Richfield, Ohio 44286.

## LEARN RADIO CODE

### THE EASY WAY!



- No Books To Read
- No Visual Gimmicks To Distract You
- Just Listen And Learn

**\$9.95**

Album contains three 12" LP's 2 1/2 hr. Instruction

Based on modern psychological techniques—This course will take you beyond 13 w.p.m. in LESS THAN HALF THE TIME! Available on magnetic tape \$9.95 — Cassette, \$10.95

## EPSILON [E] RECORDS

508 East Washington St., Arcola, Illinois 61910

TTL OPERATING RULES \_\_\_\_\_ \$ 0.50

**MINITRON 5-VOLT 16-PIN DIP READOUT**  
7-SEGMENT W/RH DECIMAL \_\_\_\_\_ \$ 3.25  
± 1 W/RH DECIMAL \_\_\_\_\_ \$ 3.25

**DIGITAL CLOCK SEMI-KIT** \_\_\_\_\_ \$ 32  
15 IC'S & 4 MINITRONS (ONLY) + RED FILTER & INSTR.

DIGITAL CLOCK INSTRUCTIONS ONLY \_\_\_\_\_ \$ 1.50

**QUAD OP AMP LM 3900** \_\_\_\_\_ \$ 1.15

**REGULATOR 5-VOLT 1-AMP uA 7805** \_\_\_\_\_ \$ 2.50

### Arizona Semiconductor

PO BOX 112 GOODYEAR, ARIZONA 85338

Portable Radio Phone Model FLP-2/CBFL, 31.5 MHz, AM. Made by Morrow Radio. Easy to convert. Approx. 1w input pwr/squelch. Mic. included. A1 CONDITION \$14.95 Headset-Microphone H-63/U 600Ω earphones 100 chm mike suspended on headband. NEW \$4.95 Chest Set AN/GSA6 adapts above to GRC-VRC equipment NEW \$2.95

Potter & Brumfield industrial control relay New KU-4129-2 SPDT, SPST 115 VAC 60 cps 50¢ Teletype Ribbons — 35¢ ea., 12 for \$3.50 Sales Sheet now available. Send SASE for copy. FRANK ELECTRONICS, 407 Ritter Rd., Harrisburg, PA 17109

## THE ULTRA-BAL 2000

NOW ----- An extremely rugged, weather-proof BALUN!  
• Full 2KW, 3-30 MHz., 1:1 or 1:4 ratios.  
• Special Teflon insulation. May be used with tuned lines and tuners.  
• With dipole insulator and hang-up hook.

**ONLY \$ 8.95ppd.** (state ratio)  
At your dealer or order direct

**K.E. Electronics** Box 1279, Tustin Calif. 92680

**MINIATURE SUB-AUDIBLE TONE ENCODER** \$14.95 Wired-Tested



- Compatible with all sub-audible tone systems such as Private Line, Channel Guard, Quiet Channel, etc.
- Glass Epoxy PCB, silicon transistors, and tantalum electrolytics used throughout
- Any miniature dual coil contactless reed may be used (Motorola TLN6824A, TLN6709-B — Bramco RF-20)
- Powered by 12vdc @ 3ma
- Use on any tone frequency 67Hz to 250Hz
- Miniature in size 2.5 x .75 x 1.5" high
- Complete less reed (Available in 33 freqs. for \$17.50 ea)
- Output 3v RMS sinewave, low distortion

Postpaid — Calif. residents add 5% sales tax

## COMMUNICATIONS SPECIALISTS

P. O. Box 153, Brea, CA 92621

WA9ORC



LAKE COUNTY ILLINOIS  
FAIR GROUNDS  
Rts. 45 & 120  
Grayslake, Illinois

JULY 7, 8, 1973

FLEA MARKET  
6 AM - 6 PM

EXHIBITION HALL  
9 AM - 4 PM

# RADIO EXPO '73

*The  
Largest Meeting  
of Radio and  
Electronics  
Enthusiasts  
in the Midwest*

Indoor Manufacturers  
Displays — Under Roof  
Giant Flea Market —  
Many Door Prizes  
— Camp Area —  
Refreshments —  
Unlimited Free Parking  
— Technical Movies  
and Seminars

**TICKETS:**

**\$2.00 for both days**

**\$1.50 (Advance sale  
price) for both days**

**Children under 12 free**

**See coupon for  
Advance Gate Tickets**

**SOME OF THE EXHIBITORS ARE:**

- MIDLAND ELECTRONICS
- CLEGG
- GENERAL ELECTRIC
- AMATEUR ELECTRONICS
- HAL COMMUNICATIONS
- RP ELECTRONICS
- HAM RADIO MAGAZINE
- 73 MAGAZINE
- CQ MAGAZINE
- ICOM
- STANDARD COMMUNICATIONS

**AND MANY OTHERS**

**TICKETS**

**RADIO EXPO '73**

**P. O. Box 1014**

**ARLINGTON HTS., ILL. 60006**

**CHICAGO**

Gentlemen: Enclosed is \$..... (Check or Money Order) in payment for ..... tickets at \$1.50 each.

Send tickets to:

Name.....

Address.....

Town.....

State..... Zip.....

Make checks payable to: Radio Expo '73

**Offer Expires  
June 15, 1973**

**TAKE YOUR PICK** from this wide selection of SSB Transceivers, all fully reconditioned with 90-day Guarantee: Drake TR-3 \$359, TR-4 \$419, Eico 753 with both AC/DC \$159, Galaxy GT-550A/AC-400/SC-550A \$499, Kenwood TS-511S/PS-511S \$429, SBE SB-34 \$269, Swan 175 with both AC/DC \$129, 240/117AC \$219, 250/117XC \$249, 350C \$279, 500/117XC \$419, WRL Duo-Bander 84 with AC or DC \$129. More arriving daily. Write: Burghardt Amateur Center, Box 73H, Watertown, S. D. 57201.

**USED MYLAR TAPES** — 1800 foot. Ten for \$8.50 postpaid. Fremmerman, 4041 Central, Kansas City, Mo. 64111.

**TONE AND LOGIC** circuit board layouts for WWV, RTTY, SSTV projects, systems. Two PCB samples, schematics, \$3.00. Hornung, Box 24614, San Jose, California 95154.

**NEWS:** Free sample copy of "Worldradio", Amateur Radio's Newspaper. 2509-C Donner Way, Sacramento, Calif. 95818.

**AMATEUR RADIO APPRECIATION DAY** will be held July 29 in Junction, Texas. This is a FREE Bar-B-Q for anyone holding an amateur license and their family. The day is sponsored by the Kimble County Chamber of Commerce to show its appreciation of the many public services and disaster assistance amateur radio operators provide. For information contact WB5BBT, or the Kimble County Chamber of Commerce, 603 Main, Junction.

**SELL:** Heath SB-610, R-390 receiver CV-157 SSB adapter, best offer or trade for ? Can pack and ship. K9HJU, 312-349-9002.

**HOOSIER ELECTRONICS** — Your ham headquarters in the heart of the Midwest where only the finest amateur equipment is sold. Individual, personal service by experienced and active hams. Factory-authorized dealers for Drake, Regency, Standard, Clegg, Ten-Tec, Galaxy, Hy-Gain, CushCraft, Ham-M, Mosley, Hustler, electronic pocket calculators, plus many more. Orders for in-stock merchandise shipped same day. Write or call today for our quote and try our personal friendly Hoosier service. Hoosier Electronics, R. R. 25, Box 403, Terre Haute, Indiana 47802. (812) 894-2397.

**RESISTORS:** Carbon composition brand new. All standard values stocked. 1/2W 10% 50/\$1.00; 1/4W 10% 40/\$1.00 — 10 resistors per value please. Minimum order \$5.00. 15W RMS IC Audio Amplifier — Panasonic. Frequency response 20Hz-100kHz. 1/2% distortion. Price \$6.50. Postpaid. Pace Electronic Products, Box 161-H, Ontario Center, New York 14520.

**STELMAN #TA-1 TELEPHONE ADAPTER**, \$125. Heavy duty equipment slides \$15 ea. Components, equipment, etc. Inquiries invited, catalog available. B. F. Williams Co., P. O. #7057, Norfolk, Va. 23509.

**CHEAP SSB** — Audio/Balanced Modulator board, with VOX, speech clipping, BFO board, w/Xtals for USB, LSB, 455 kc carrier, \$6/Board, both \$10. Collins 455F21 mechanical filter, \$25. Boards are assembled, with schematics, postpaid, no C.O.D.'s. WA1AYS, Steve Gilbert, 55 Hinckley Rd., Newton, Mass. 02168.

**DYCOM AMPLIFIERS** — E, \$55.00, ES, \$75.00, D, \$75.00, 10-0, \$160.00. Foster, Box 198, Star Route, Tijeras, N. M. 87059.

**WANTED, GONSET 220** communicator. State model, cond., price. Ron Veelik, WA6LTH, P. O. Box 210, Crestline, Ca. 92325.

**WANT — COLLINS MM-2 BOOM** mike/earphone. State price and condition. John Deal, 1235 Milano Drive, Naples, Florida 33940.

**CANADA'S MOST UNUSUAL** Surplus and Parts Catalog. Jam packed with bargains and unusual items. Send \$1. ETCO-HR, Box 741, Montreal, Canada.

SSB CONVERTER CV-591A: Get upper or lower sidebands from any recr. OK gtd. w/book ..... \$137.50  
SP-600(+) RECEIVER 0-54.54 MHz continuous, overhauled, aligned, grtd, w/book ..... 250.00

## BRAND NEW FREQ-SHIFT TTY MONITOR

NAVY OCT 3: FM Receiver type, freq. range 1 to 26 MHz in 4 bands, cont. tuning. Crystal calib. Reads up to 1500 Hz deviation on built-in VTVM. Cost \$1100.00 each! In original box, with instruct. book & cord. fob Mariposa, Cal. Min. signal needed: 15 mv. Shpg wt 110 lbs ..... 49.50

## HIGH-SENSITIVITY WIDE-BAND RECEIVER

COMMUNICATIONS • BUG DETECTION  
• SPECTRUM STUDIES

38-1000 MHz AN/ALR-5: Consists of brand new tuner/converter CV-253/ALR in original factory pack and an exc. used, checked OK & grtd main receiver R-444 modified for 120 v. 50/60 Hz. The tuner covers the range in 4 bands: each band has its own Type N Ant. input. Packed with each tuner is the factory inspector's checkout sheet. The one we opened showed SENSITIVITY: 1.1 uv at 38.4 mhz. 0.9 at 133 mhz. 5 at 538 mhz, 4 1/2 at 778 mhz. 7 at 1 ghz. The receiver is actually a 30 mhz IF ampl. with all that follows, including a diode meter for relative signal strengths: an atten. calibrated in 6 db steps to -74 db, followed by an AVC position; Pan., Video & AF outputs; switch select pass of ±200kHz or ±2 mhz; and SELECT AM or FM! With Handbook & pwr. input plug, all only ..... 375.00

30 MHz PANADAPTER OK grtd ..... \$137.50

NEMS-CLARKE #1670 FM Rcvr 55-260 MHz  
like new ..... 275.00

### Attention!

**Buyers, Engineers, advanced Technicians:**

We have the best test-equipment & oscilloscope inventory in the country so ask for your needs . . . don't ask for an overall catalog . . . we also buy, so tell us what you have. Price it.

## R. E. GOODHEART CO. INC.

Box 1220-HR, Beverly Hills, Calif. 90213

Phone: Area Code 213, Office 272-5707

## SAROC

9th annual fun convention

Best of Las Vegas — Best of Amateur Radio

January 3-6, 1974

SAROC Box 73 Boulder City, Nev. 89005

## FOR YOUR GARDEN APARTMENT

Stay on the air with the New B&W Model 370-10 Portable Whip Antenna. Simple, quick installation for windowsills, poles, boats, trailers, hotels, etc.

Frequency Coverage ..... 20, 15, 10, 6, 2 and CB Bands

VSWR ..... 1:1:1

Power Rating ..... SSB—360 watts PEP  
CW—360 watts input

PRICE ..... \$24.95

See your dealer or write:

Barker & Williamson, Inc.



Canal Street, Bristol, Pa. 19007

# ENJOY CW!

## USE A MATRIC KEYSER & PADDLE

- SELF COMPLETING • BATTERY OPERATED
- RELAY OUTPUT



MODEL 10  
CIRCUIT BOARD KIT (LESS CASE) \$12.95  
KIT (LESS BATT).....\$21.90  
WIRED (LESS BATT).....\$26.50  
SIDETONE KIT \$4.95 • WIRED \$6.95

## PADDLE

MODEL 11



- ★ ADJUSTABLE TRAVEL
- ★ NON-SKID WEIGHTED BASE
- ★ FULLY ASSEMBLED

ONLY  
**\$9.95**

## SEE YOUR DEALER

OR ORDER DIRECT. PRICES F.O.B. FRANKLIN, PA.



RD 1, PONE LANE  
BOX 185A  
FRANKLIN, PA. 16323

PHONE: AREA CODE (814) 432-3647

DIGITAL:THEORY,DESIGN,  
CONSTRUCTION

## LOGIC NEWSLETTER

SAMPLE COPY \$ 1.00  
LOGIC NEWSLETTER  
POB 252  
WALDWICK,N.J. 07463

## F.C.C. EXAM MANUAL

PASS FCC EXAMS! Memorize, study —  
"1973 Tests-Answers" for FCC First and Sec-  
ond class Radio-telephone licenses. Newly re-  
vised multiple-choice questions and diagrams  
cover all areas tested in FCC exams. — plus  
"Self-Study Ability Test." \$9.95 Postpaid.



COMMAND PRODUCTIONS P.O. BOX 26348-K  
RADIO ENGINEERING DIVISION SAN FRANCISCO, CALIF. 94126

## WANTS TO BUY

All types of military electronics equipment and parts. Call collect for cash offer.

**SPACE ELECTRONICS** division of  
**MILITARY ELECTRONICS CORP.**

76 Brookside Drive, Upper Saddle River  
New Jersey 07458 • (201) 327-7640

### Andy Electronics Co., Inc.

Department "3" 4411 Springer Houston, Texas 77017  
All prices FOB Houston, Texas



AN/USA-99-08 92 PRECISION OSCILLOSCOPE  
AC scope with a frequency response of 20K-200MHz,  
and a risetime of .022us. Sensitivity is 24-255mV./inch  
over the entire frequency range. This unit has a built in  
1,000Hz. calibrator and superimposed marker dots at  
intervals of 2, 1, 5, 20, 100, 500, and 2,000us. for  
determining frequency. The CRT is 3". Also has a  
illuminated scale. 115V/60Hz. Ship. Wt. is 65 lbs.  
Excellent Condition (Checked).....\$79.95  
Good Condition (Repairable).....\$65.95

TS-302 AUDIO OSCILLATOR. Tunes from 50Hz. - 20KHz.  
Has a built in 50Hz. and 400Hz. calibrator meter. The output  
freq. has been calibrated to 2% of the freq. indicated on  
the main dial. 115V/60Hz. Ship Wt. 65 lbs.  
Excellent Condition (Checked).....\$79.95  
Good Condition (Repairable).....\$65.95



AN/URM-79 FR-4 PRECISION FREQUENCY METER  
Covers the frequency range of 100KHz. - 20MHz. in  
seven bands. Accuracy is .001% over the entire range.  
Frequency measurements and calibration checking are  
made by means of a blinder light and earphones. This  
Frequency meter has a 3" CRT for visual interpolation  
of the frequency being measured. Units are complete  
with interpolation book and operation manual. 115V/60Hz.  
Ship Wt. 120 lbs.  
Excellent Condition (Checked).....\$79.95

### ICOM 2 MTR FM

#### SPECIAL CLEARANCE SALE

24 chan. IC-21 built-in AC supply, RIT, DISC, mtr, SWR  
ind. with 10 crystals supplied while they last \$329.50  
Crystals for IC-20 and IC-21.....\$2.80 each

All Prices are FOB Renton, Wash. You pay shipping costs.

Write to Woody W7RC, Racom Electronics, Inc., 15051  
SE 128 Street, Renton, Wash. 98005 Tel. 206 AL5-6656

## WORLD QSL BUREAU

THE ONLY QSL BUREAU to handle all  
of your QSLs to anywhere; next door, the  
next state, the next country, the whole  
world. Just bundle them up (please arrange  
alphabetically) and send them to us with  
payment of 5¢ each.

5200 Panama Ave., Richmond, CA USA 94804

• QRM QRM QRM QRM QRM QRM QRM •

QRM

QRM

QRM

QRM



## WHY FIGHT QRM?

Win the battle against CW QRM with the new DE-101  
using advanced integrated circuit design. Connect it  
between your receiver and high impedance earphones  
for a guaranteed superior CW reception. Operate your  
receiver the same way as before except now you  
discriminate against QRM. No adjustments, the DE-101  
is factory tuned and complete with built in ac supply.  
One year warranty. 4" x 2 1/2" x 6" \$29.95 plus \$2.00  
shipping. Ala. residents add 5% sales tax.

## DYNAMIC ELECTRONICS INC.

BOX 1131 DECATUR, AL. 35601

• QRM QRM QRM QRM QRM QRM QRM •

QRM

QRM

QRM

QRM



**TELETYPEWRITERS** — Kleinschmidt — portable, fixed, sets, punches, parts, reconditioned, reasonable. Mark/Space Systems, 3563 Conquista, Long Beach, Calif. 90808. 213-429-5821.

**"P.C.'S"** I can supply boards for any construction article that includes the full size artwork. Many in stock. Write: D. L. McClaren, W8URX, 19721 Maplewood Avenue, Cleveland, Ohio 44135.

**WANTED:** Lafayette HA46, Bob, K6GEV, 11 Wool, San Francisco 94110.

**TECH MANUALS** for Govt. surplus gear only \$6.50 each: R-390/URR, R-220/URR, R-389/URR, R-274/FRR, URM-25D, TS-382D/U, CV-591A/URR, ALR-5, SP-600JX-17, TS-497B/URR, OS-8C/U. Hundreds of others available. Send 50¢ (coin) for list. W3IHD, 7218 Roanne Drive, Washington, D. C. 20021.

**SELL:** Model 28 KSR floor cabinet, mint condition \$250.00. W2NQW, 66 Franklin Street, Port Jervis, N. Y. 12771.

**FOR SALE:** Data Engineering Memory-Matic 500B with 800 bit reprogrammable memory \$175. Tom Gallagher, W6NUT, Box 31365, San Francisco, California 94131.

**"HAM OF THE YEAR"** award for 1973. Only amateurs in the 1st call district are eligible. Anyone may nominate an amateur. Winner of the award will be chosen for the amateur activity which brings the greatest benefit to an individual or group and for the amount of ingenuity and sacrifice displayed. Nominating letters should include the candidate's name, address, call letters and a complete description of the service performed. Letters must be sent before Sept. 1 to the Chairman of the FEMARA Awards Committee, 28 Forest Ave., Swampscott, Mass. 01907. The winner will be presented with a plaque and a cash award at the ARRL New England Convention, Dunfee's, Hyannis, Cape Cod on September 29, 1973.

**YOUR KWM2 CAN WORK BETTER** — You can do it, too. Write W0BNF, Box 105, Kearney, Nebr. 68847.

**BEAM, TOWER SPRING SPECIAL:** Triex W51 368.00; MW50 250.75; MW65 331.50; Ham-M 99.00; TR44 59.95; AR22R 31.95; Hygain TH6DX 139.00; 204BA 129.00; TH3MK3 114.00; Mosley CL36 149.00; CL33 124.00; TA33 114.00; MCQ3B 91.00; S402 143.00; 8214 R8B foam belden 17¢/ft.; 8448 8-wire rotor cable 10¢/ft.; 3/16" cable clamps 18¢; Mallory 2.5A/1000PIV epoxy diode 29¢; Polygon fiberglass spreader arms 7.50; 6V/600MA transformer 1.95; KY65 Ider 5.95; Write quote Clegg FM27B; Hallcrafters FPM300A; Drake TR72; B & W; SBE; Standard; Eimac; Collins; CDE replacement parts; prices FOB Houston, Warranty guaranteed. Mastercharge, BAC. Write List. Madison Electronics, 1508 McKinney, Houston, Texas 77002. (713) 224-2668.

**DELMARVA HAMFEST,** August 19, 1973, Harrington Fairgrounds. Registration fee \$2 advance, \$3 at the gate. For information write Delmarva Hamfest, Inc., Route 2, Box 90, Laurel, Delaware 19956.

**WANTED:** tubes, transistors, equipment, what have you? Bernard Goldstein, W2MNP, Box 257, Canal Station, New York, N. Y. 10013.

**SELL: HALLICRAFTERS** HA2, HA6, power supply, six and two meter converters. Best offer over \$150. Hallcrafters SX101A ham band receiver, best offer over \$100. Johnson Viking Ranger I, best offer over \$50.00. Floyd Chowning, K5CWS, 5637 Prince Edward Ave., El Paso, Texas 79924.

**ROANOKE DIVISION CONVENTION** — Sept. 14-16, 1973, Reston, Va. (near Dulles Airport). Unusual wide interest programs and sessions. Write K4MD, Box 7388, Warrenton, Va. 22186.

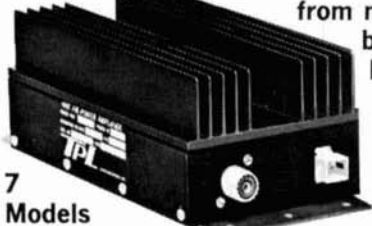
**STANDARD 146-A** still in factory carton with warranty card. \$238.70. W40AQ, Box 17222, Nashville, Tenn. 37217, (615-834-8999).

**YOUR AD belongs here too.** Commercial ads 25¢ per word. Non-commercial ads 10¢ per word. Commercial advertisers write for special discounts for standing ads not changed each month.

# 2 METER FM

## TALK POWER!

**TEMPO POWER AMPS** up to 135 W OUT with 1 to 25 w drive from mobile, base or HT...



7 Models

MODEL	POWER (in/out)	PRICE
252	1W/25W	\$ 85.00
502	10W/50W	105.00
502B	1W/50W	130.00
802	10W/85+W	180.00
802B	1W/85+W	195.00
1002-3	10W/120+W	220.00
1002-3B	1W/120+W	235.00

Solid State Micro-Strip Circuit

Ready-to-go, Cables supplied all U. S. made

In stock. Shipped same day UPS pd. for Cashier's Check or M.O.

## ERICKSON COMMUNICATIONS

4659 North Ravenswood Avenue  
Chicago, Ill. 60640 (312) 334-3200

## G & G CATALOG MILITARY ELECTRONICS

24 PAGES, crammed with Gov't Surplus Electronic Gear — the Biggest Bargain Buys in America!

SEND FOR YOUR COPY

### BRAND NEW BC-645 TRANSCEIVER

EASILY CONVERTED FOR 420MC OPERATION

This equipment originally cost over \$1000. You get all in original factory carton.



Dependable Two Way Communication more than 15 miles.

- FREQUENCY RANGE: About 435 to 500 Megacycles.
- TRANSMITTER has 4 tubes: WE-316A, 2-6F6, 7F7.
- RECEIVER has 11 tubes: 2-9Y5, 4-7H7, 2-7E6, 3-7F7.
- RECEIVER I. F.: 40 Megacycles.
- SIZE: 10 1/2" x 13 1/2" x 4 1/2".

Makes wonderful mobile or fixed rig for 420 to 500 Mc. Easily converted for phone or CW operation

"SPECIAL PACKAGE OFFER"

BC-645 Transceiver, Dynamotor and all BRAND NEW, accessories below, including conversion in- while stocks last. \$26.95

F.O.B. NY City or Ogden, UT for Savings on Freight Charges.

Accessories for BC-645 motor  
Mounting for BC-645 transceiver UHF Antenna assemblies (set of 2)  
PE-101C Dynamotor, 12-24 V Complete set of 11 connectors (easily converted to 6 volts). Control Box BC-646  
Mounting for PE-101C Dyna- Mounting for BC-646 ctr. box.

TRANSCEIVER ONLY ..... \$16.95

TERMS: F.O.B. NYC. 25% deposit with order, balance COD or remittance in full. MINIMUM ORDER \$5.00. Subject to prior sale and price change

### G & G RADIO ELECTRONICS COMPANY

45-47 Warren St. Dept. HM New York, NY 10007 Ph. 212-267-4605



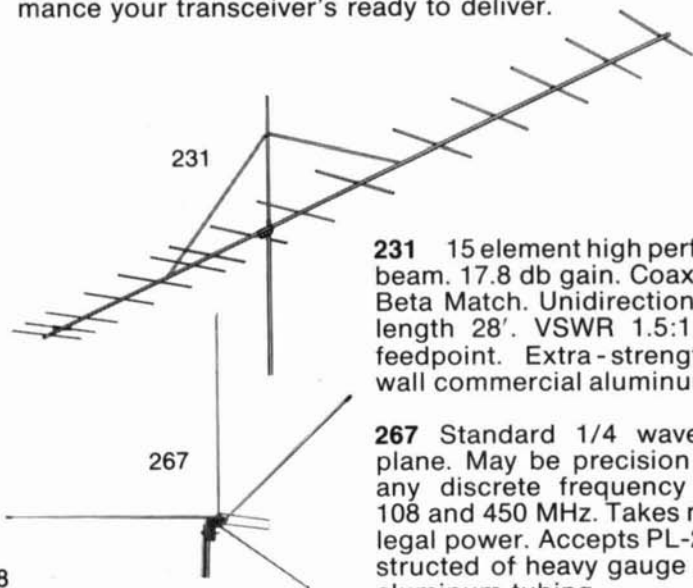
# the **REPEATER** 2 Meter Fixed Station

Designed for the man who demands professional standards in 2 meter equipment. *REPEATER LINE* fixed station antennas are the 2 meter HAM's dream come true. With everything you need for top fixed station performance... toughness, efficiency and the gain to gain access to distant repeaters with ease. Work many stations, fixed or mobile, without access to a repeater.

The right antennas for the new FM transceivers...or any 2 meter fixed station.

### *REPEATER LINE* Fixed Station Antennas

Tough, high efficiency antennas with a long, low radiation. For the top signal and reception you want...and the top performance your transceiver's ready to deliver.



**231** 15 element high performance beam. 17.8 db gain. Coaxial balun. Beta Match. Unidirectional. Boom length 28'. VSWR 1.5:1 52 ohm feedpoint. Extra-strength heavy wall commercial aluminum tubing.

**267** Standard 1/4 wave ground plane. May be precision tuned to any discrete frequency between 108 and 450 MHz. Takes maximum legal power. Accepts PL-259. Constructed of heavy gauge seamless aluminum tubing.

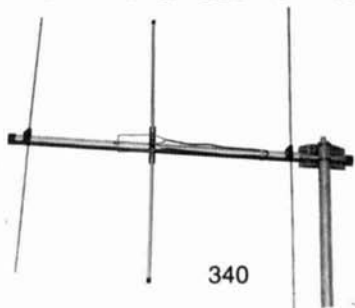
**268** For repeater use. Special stacked 4 dipole configuration. 9.5 db offset gain. 6.1 db omnidirectional gain. Heavy wall commercial type construction. 144 thru 174 MHz. 1.5:1 VSWR over 15 MHz bandwidth eliminates field tuning. Extreme bandwidth great for repeater use. Center fed for best low angle radiation. DC ground. Complete with plated steel mounting clamps.



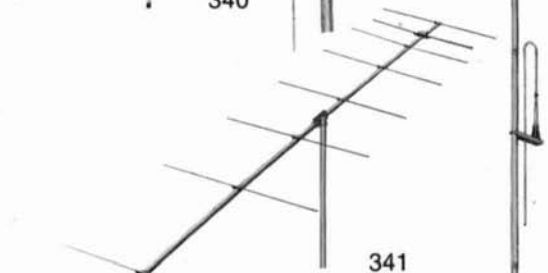
# LINE from **HY-GAIN**

## Antennas with real PUNCH!

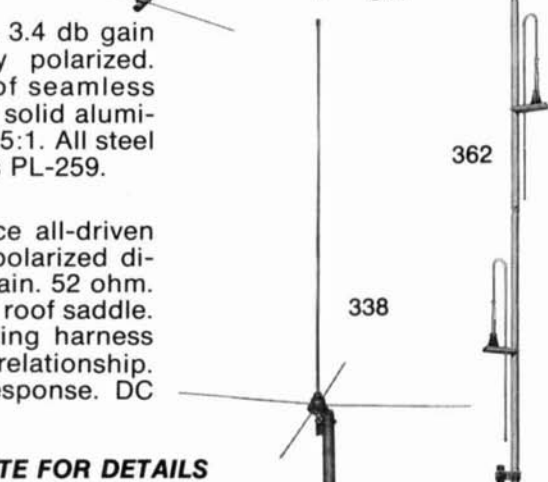
**340** 3 element high performance beam. 9 db gain. Coaxial balun. Special VHF Beta Match configuration. Unidirectional pattern. VSWR 1.5:1. 52 ohm impedance. Heavy gauge aluminum tubing and tough aluminum rod construction.



**341** 8 element high performance beam. 14.5 db gain. Coaxial balun. VHF Beta Match. Unidirectional. Boom length 14'. VSWR 1.5:1. 52 ohm feedpoint. Heavy gauge commercial type aluminum construction.



**338** Colinear ground plane. 3.4 db gain omnidirectionally. Vertically polarized. 52 ohm match. Radiator of seamless aluminum tubing; radials of solid aluminum rod. VSWR less than 1.5:1. All steel parts iridite treated. Accepts PL-259.



**362** SJ2S4 high performance all-driven stacked array. 4 vertically polarized dipoles. 6.2 omnidirectional gain. 52 ohm. May be mounted on mast or roof saddle. Unique phasing and matching harness for perfect parallel phase relationship. Center fed. Broad band response. DC ground.

### WRITE FOR DETAILS

For top fixed station performance on 2 meters...

THE REPEATER LINE

From

**HY-GAIN ELECTRONICS CORPORATION**

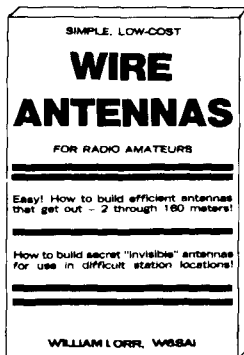
P. O. Box 5407 - WF Lincoln, Nebraska 68505

# W6SAI's Antenna Books

## Bill Orr's Newest WIRE ANTENNAS for Radio Amateurs

This 192 page book describes over 40 horizontal, vertical, and multi-band trap antennas. Invisible antennas for apartment houses, high gain beam antennas. Covers novice antennas, tuners and ground systems. It's all here in this exciting new book by "the antenna expert."

Only \$3.95 ppd.



## The "bible" on Quads

### ALL ABOUT CUBICAL QUAD ANTENNAS

Long considered "THE BOOK" on Quads this latest edition has more information on these popular antennas than you will find anywhere else. Everything you need to design, build and adjust your Quad for top performance.

- Revised gain figures for Quads
- Delta Quad, Swiss Quad, Birdcage Quad
- Analysis of Quad vs. Yagi — which is best?
- Miniature Quad construction and performance
- Monster Quads — power gains up to 14!
- Correct dimensions for single and multiband Quads, 6 thru 80 meters
- Improved Tri-Gamma match feeds tri-band Quad efficiently with one line

PLUS . . . Exhaustive detail on every aspect of quad antennas

Only \$3.95 postpaid

## The complete reference on beams BEAM ANTENNA HANDBOOK

For many years the "BESTSELLER" on beam antennas, this handbook covers all areas of the subject, both theory and practice.

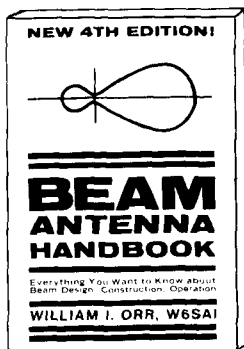
This new fourth edition has been updated to insure that the reader has the very latest information available.

It includes many special features such as:

- Correct dimensions - 6 thru 40 meters
- Are 40 meter compact beams worth the effort?
- Exclusive 25 year bibliography of important beam antenna articles

Whether you plan to build or buy — DX or rag chew — you need this book

Just \$4.95 Postpaid



comtec

BOOKS

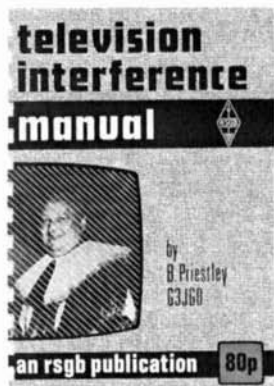
Greenville, New Hampshire 03048



## Television Interference Manual

by B. Priestly G3JGO

The first new book on this vital subject in many, many years. Covers transmitter design, audio breakthrough, testing and much more. Written to cover British standards, but easily converted to American use.



**\$3.50 Postpaid**

## HANDBOOKS

We have all three



### The Radio Amateur's Handbook

ARRL Staff

The standard reference for the radio amateur. Latest 1973 edition covers everything from the basics to such new areas as FM and slow-scan TV. The largest selling technical book ever published.

702 pages, softbound

Only \$4.50



### Radio Handbook, 19th Edition

by William I. Orr, W6SAI

Latest updated edition of this famous handbook which is the standard for engineers, technicians and advanced amateurs. Explains in detail how to design and build all types of radio equipment, RTTY circuits, latest semiconductor and computer circuitry. 896 pages; hardbound.

Only \$14.95

### RSGB: Radio Communication Handbook

Amateur Radio's most complete technical reference. This book covers virtually every phase of radio theory and practise in very complete and useful detail. Whether you use HF or VHF, SSB or RTTY you need this handbook.

832 pages, hardbound

Just \$12.95

### SPECIAL HANDBOOK PACKAGE

All 3 for just \$27.50

Save nearly \$5.00

## CLOSEOUT SALE!

A SPECIAL PURCHASE ALLOWS US TO OFFER THE 18TH EDITION (JUST NOW SUPERSEDED) OF W6SAI'S RADIO HANDBOOK (SEE ABOVE) FOR ONLY \$7.95 WHILE THEY LAST.

comtec

BOOKS

Greenville, New Hampshire 03048

# Advertisers check-off

... for literature, in a hurry — we'll rush your name to the companies whose names you "check-off"

## INDEX

- Alpha
- Amateur-Wholesale
- Amtech
- Andy
- Antenna King
- Arizona Semi
- Babylon
- B. & H.
- Barry
- Bauman
- Bird
- Bob's
- CFP
- Bitcil
- Command
- Communications Specialists
- Comtec
- Curtis
- Cybersonic
- Data
- Display
- Dycomm
- Dynamic Electronics
- Ehrhorn
- Eimac
- Epsilon
- Erickson
- Etco
- Expo '73
- Frank
- Gateway
- Gilfer
- Gray
- Great American
- H & L
- HAL
- Hamtronics
- Ham Radio
- Henry
- Hobby Jewelry
- House of Dipoles
- Hy-Gain
- Icom
- IN-X
- International Crystal
- Jan
- Janel
- K. E.
- KRP
- KW
- Larsen
- Lee
- Linear Digital
- Linear Systems
- Logic
- MFJ
- Matric
- Meshna
- Micro-Z
- Midland
- Miida
- Mor-Gain
- Nurmi
- Oneida
- PM Electronics
- Palomar
- Pemco
- Peter Meacham
- Poly Paks
- RP
- Racom
- Callbook
- Raytheon
- Sarc
- Savoy
- Solid State
- Space-Military
- Spectrum
- Standard
- Swan
- Tri-Tek
- Triangle
- U-J Industries
- VHF Engineering
- Weinschenker
- Wilson
- Wolf
- World QSL
- Y & C
- Yaesu

Limit 15 inquiries per request.

June 1973

Please use before July 31, 1973

Tear off and mail to  
**HAM RADIO MAGAZINE — "check off"**  
 Greenville, N. H. 03048

NAME.....  
 CALL.....  
 STREET.....  
 CITY.....  
 STATE.....ZIP.....

# Advertisers iNdex

ATV Research	73
Amateur-Wholesale Electronics	69
Amtech	60
Andy Electronics, Inc.	88
Antenna King	48, 49
Arizona Semi-Conductor	85
Babylon Electronics	61
Barker & Williamson	68, 87
Barry	80, 81
Bauman	76
Bob's Discount Electronics	84
CFP Enterprises	73
CTG Bitcil	62
Command Productions	88
Communications Specialists	85
Comtec	72, 74, 78, 92, 93
Curtis	84
Data Engineering, Inc.	70, 71
Display Electronics	73
Dycomm	79
Dynamic Electronics, Inc.	88
Ehrhorn Technological Operations, Inc.	1
Eimac, Div. of Varian Assoc.	Cover IV
Epsilon Records	85
Erickson Communications	89
Expo '73	86
Frank	85
G & G Radio Supply Co.	89
Gateway Electronics	59
Goodheart Co., Inc. R. E.	87
Gray Electronics	63
Great American Miniatures	68
H & L Associates	84
HAL Communications Corp.	75
Ham Radio	78
Henry Radio Stores	Cover III
Hobby Jewelry	68
House of Dipoles	78
Hy-Gain Electronics Corp.	66, 67, 90, 91
Icom	39
IN-X Sales	73
International Crystal Mfg. Co. Inc.	96
Jan Crystals	60
Janel Labs	76
K. E. Electronics	85
KRP Electronic Supermart, Inc.	44
KW Electronics	63
Linear Systems, Inc.	45
Logic Newsletter	88
MFJ Enterprises	78
Matric	88
Meshna, John, Jr.	84
Micro-Z Company	59
Midland Electronics Co.	65
Mor-Gain, Inc.	76
Nurmi Electronic Supply	53
PM Electronics, Inc.	68
Palomar Engineers	64
Payne Radio	64
Pemco, Inc.	78
Peter Meacham Associates	84
Poly Paks	77
RP Electronics	62
Racom Electronics, Inc.	88
Radio Amateur Callbook	58, 79
Raytheon Company	5
Sarc	87
Savoy Electronics	Cover II
Solid State Systems, Inc.	82
Space-Military Electronics	88
Spectrum International	27
Standard Communications Corp.	95
Swan Electronics	23
Tri-Tek, Inc.	73
U-J Industries	78
VHF Engineering, Div. of Brownian Elect. Corp.	76
Weinschenker, M.	35
Wilson Electronics	61
Wolf, S.	84
World QSL Bureau	88
Y & C Electronics	79
Yaesu Musen USA Inc.	2

# CONSIDERABLY SPECIAL CONSIDERING THE SPECS

## 2 METER FM TRANSCEIVER

Model SRC-146A



Frequency . . . . . 143-149 MHz  
(2MHz spread)  
Number of channels . . . . . 5  
Supplied with 146.94 simplex,  
146.34 / .94 (same plug in  
crystals as SR-C826M)  
R.F. output . . . . . 2 watt minimum  
Sensitivity . . . . . better than 0.4  
uv / 20 DB Q.S.  
Audio output . . . . . 500 mw  
Meter . . . . . monitors battery voltage on  
Tx, S Meter on Rx  
Current drain . . . . . 620 ma Tx,  
15 ma Rx standby  
Size . . . . . 8 $\frac{3}{8}$ " high x 3" wide x 1 $\frac{5}{8}$ " deep  
Weight . . . . . 24 oz., less batteries

Options: Private channel (CTCSS), external mic, or mic-speaker,  
stubby flexible antenna, desk top charger, leather case.

**\$289<sup>00</sup>**  
Suggested  
Amateur  
Net Price

## NEW 2 METER REPEATER

SCA-RPT-1

All solid state, 2M, 10W, FM  
REPEATER. Built-in C.O.R., adjustable  
carrier delay and time out timer.



Write for complete specifications and cost.



**Standard**  
COMMUNICATIONS CORP.

213 / 775-6284 · 639 North Marine Avenue, Wilmington, California 90744

# for the EXPERIMENTER!

**INTERNATIONAL EX CRYSTAL & EX KITS**  
 OSCILLATOR • RF MIXER • RF AMPLIFIER • POWER AMPLIFIER



## 1. MXX-1 TRANSISTOR RF MIXER

A single tuned circuit intended for signal conversion in the 3 to 170 MHz range. Harmonics of the OX oscillator are used for injection in the 60 to 170 MHz range. Lo Kit 3 to 20 MHz, Hi Kit 20 to 170 MHz (Specify when ordering) .....\$3.50



## 2. SAX-1 TRANSISTOR RF AMP

A small signal amplifier to drive MXX-1 mixer. Single tuned input and link output. Lo Kit 3 to 20 MHz, Hi Kit 20 to 170 MHz (Specify when ordering) .....\$3.50



## 3. PAX-1 TRANSISTOR RF POWER AMP

A single tuned output amplifier designed to follow the OX oscillator. Outputs up to 200 mw, depending on the frequency and voltage. Amplifier can be amplitude modulated. Frequency 3,000 to 30,000 KHz. ....\$3.75



## 4. BAX-1 BROADBAND AMP

General purpose unit which may be used as a tuned or untuned amplifier in RF and audio applications 20 Hz to 150 MHz. Provides 6 to 30 db gain. Ideal for SWL. Experimenter or Amateur .....\$3.75



## 5. OX OSCILLATOR

Crystal controlled transistor type. Lo Kit 3,000 to 19,999 KHz, Hi Kit 20,000 to 60,000 KHz. (Specify when ordering) .....\$2.95



## 6. TYPE EX CRYSTAL

Available from 3,000 to 60,000 KHz. Supplied only in HC 6/U holder. Calibration is  $\pm .02\%$  when operated in International OX circuit or its equivalent. (Specify frequency) .....\$3.95

# for the COMMERCIAL user...

**INTERNATIONAL  
PRECISION RADIO CRYSTALS**

International Crystals are available from 70 KHz to 160 MHz in a wide variety of holders. Crystals for use in military equipment can be supplied to meet specifications MIL-C-3098E.

**CRYSTAL TYPES:** (GP) for "General Purpose" applications  
 (CS) for "Commercial Standard"  
 (HA) for "High Accuracy" close temperature tolerance requirements.

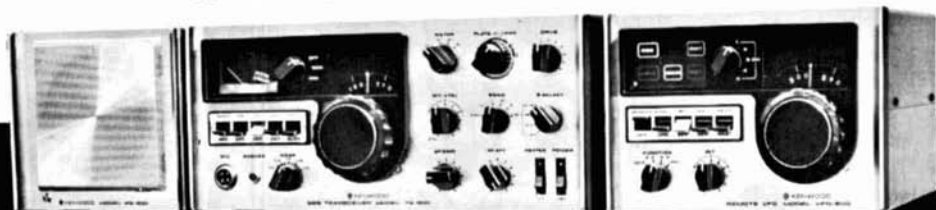


**write for  
CATALOG**



**CRYSTAL MFG. CO., INC.**  
 10 NO. LEE • OKLA. CITY, OKLA. 73102

# amateur radio's new standard of excellence



## KENWOOD'S SUPERB NEW SOLID STATE SSB TRANSCEIVER

# TS-900

**FEATURES:** • Break-in CW with sidetone • Built-in 100 KHz and 25 KHz crystal oscillator • Built-in RIT and RIT indicator light • Built-in RTTY frequency shift for FSK • Built-in noise blanker • Built-in VOX • Modular construction — repair in or out of equipment • RF AGC to prevent front end overload to strong signals • Completely solid state except final section • 1 KHz readout

**GENERAL SPECIFICATIONS:** Frequency Range: 3.5 - 30 MHz Amateur Bands and WWV • Mode: SSB, CW, or FSK • Power Output: 150 watts PEP nominal into 50 ohms for SSB, 100 watts nominal into 50 ohms for CW, 50 watts nominal into 50 ohms for FSK • Frequency Stability: Within 100 Hz during any 15 minute period after warmup. Within  $\pm 2$  KHz during the first hour after 1 minute of warmup • Receiver Sensitivity: 0.5 microvolts for a 10 db (signal + noise)/noise ratio • Receiver Selectivity: SSB and FSK — 2.2 KHz bandwidth (6 db down), 4.4 KHz bandwidth (60 db down), CW — 0.5 KHz bandwidth (6db down), 1.5 KHz bandwidth (60 db down), (with optional CW filter installed) • Dimensions: 12.6" wide x 5.5" high x 12.6" deep • Weight: 26.5 pounds (32.5 pounds shipping weight) • Price: TS-900 \$795.00, PS-900 (AC Supply) \$120.00, DS-900 (DC Supply) \$140.00, VFO-900 (Remote VFO) \$195.00.

**THE KENWOOD R-599 RECEIVER** ... 1.8 to 29.7 MHz (Amateur Bands) • Dial readout to  $\frac{1}{2}$  KHz • Special detectors for SSB, AM, and FM • Transceive operation with T-599 • Built-in 100 KHz and 25 KHz calibrators • Built-in 500 cycle CW filter • Provision for 2 meter and 6 meter coverage with accessory self-contained converters • 120/240 VAC or 12 VDC operation • All solid state • R-599 — \$389.00 Converters — \$31.00 S-599 Speaker — \$16.00.

**THE KENWOOD T-599 TRANSMITTER** ... Clear, stable, selectable sideband, AM and CW • 4-way VFO flexibility plus RIT when used with the R-599 • Amplified ALC • Built-in VOX • Full metering • Built-in CW sidetone monitor and semi-automatic break-in CW • Built-in power supply for 120/240 VAC operation • Only 3 vacuum tubes • 200 watts PEP input nominal • Full amateur band coverage (3.5 to 30 MHz). T-599 — \$429.00

✓ *NOTE: The TS-511S still sells for the same low price... still the same high quality*

**THE KENWOOD TS-511S TRANSCEIVER** ... a powerful five band transceiver (3.5 to 30 MHz, amateur bands) for operation on SSB and CW • Built-in VOX • Built-in crystal calibrator • Built-in noise blanker • Receiver Incremental Tuning (RIT) • 1 KHz frequency readout • Eight pole filter • Exceptional stability • Provisions for installation of an accessory high selectivity CW filter • 500 watts PEP input for SSB • .5  $\mu$ v sensitivity nominal • Full metering — Cathode current (IP), plate voltage (HV), ALC, and relative power output (RF) as well as an S-meter • Amplified ALC • Heavy duty 120 VAC external power supply. TS-511S — \$415.00 PS-511S — \$105.00 VFO-5SS — \$105.00 CW-1 — \$39.00

Prices subject to change without notice

**EASY FINANCING • 10% DOWN OR TRADE-IN DOWN • NO FINANCE CHARGE IF PAID IN 90 DAYS • Good RECONDITIONED EQUIPMENT • Nearly all makes and models. Our reconditioned equipment carries a 15 day trial, 90 day warranty and may be traded back within 90 days for full credit toward the purchase of NEW equipment. Write for bulletin. Export inquiries invited.**

TED HENRY (W6UOU)

BOB HENRY (W0ARA)

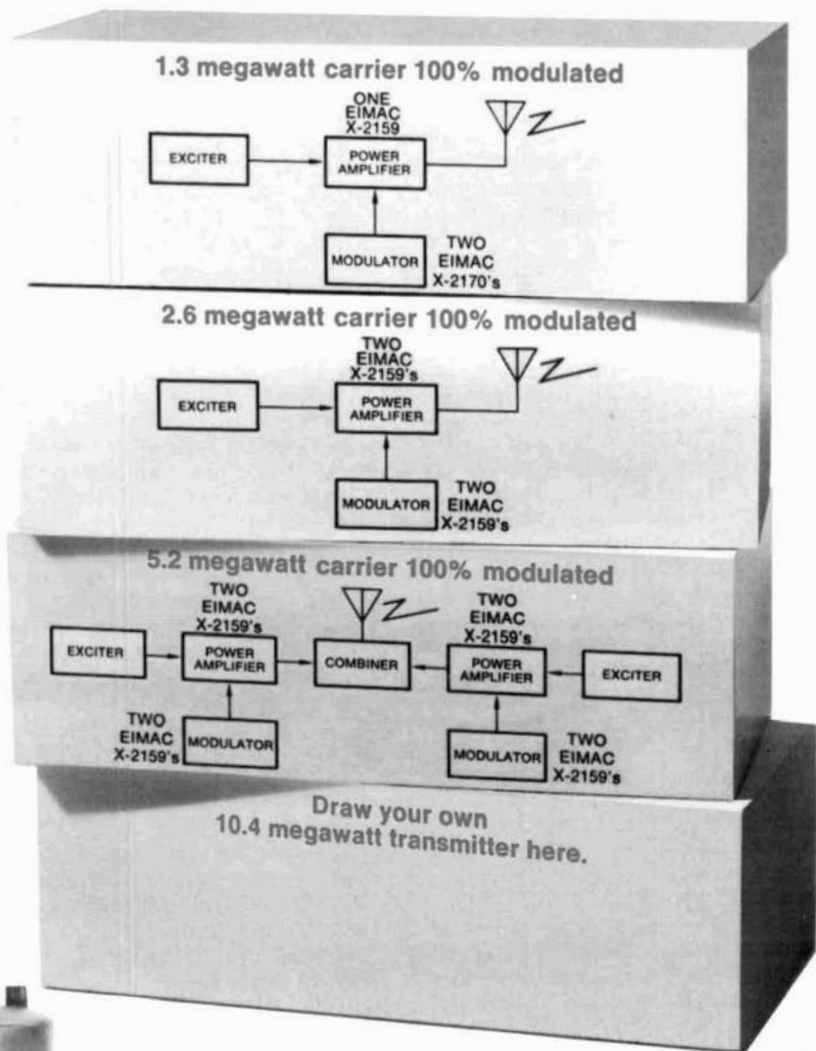
WALT HENRY (W6ZN)

# Henry Radio

11240 W. Olympic Blvd., Los Angeles, Calif. 90064 213/477-6701  
931 N. Euclid, Anaheim, Calif. 92801 714/772-9200  
Butler, Missouri 64730 816/679-3127

# 10,400,000 Watts!

EIMAC super-power tetrodes provide transmitter "building blocks" up to 10.4 megawatts, 100% modulated.



Draw your own  
10.4 megawatt transmitter here.

For information on the X-2159 and X-2170 super-power tetrodes, contact the EIMAC Division of Varian, 301 Industrial Way, San Carlos, California 94070. Or any of the more than 30 Varian /EIMAC Tube and Device Group Sales Offices throughout the world.



X-2159



X-2170