

EVERYDAY

NOVEMBER 1994

WITH

PRACTICAL

ELECTRONICS

INCORPORATING ELECTRONICS MONTHLY

FULLY S.O.R. £2.15

VIDEO CONTROLLER MODULES

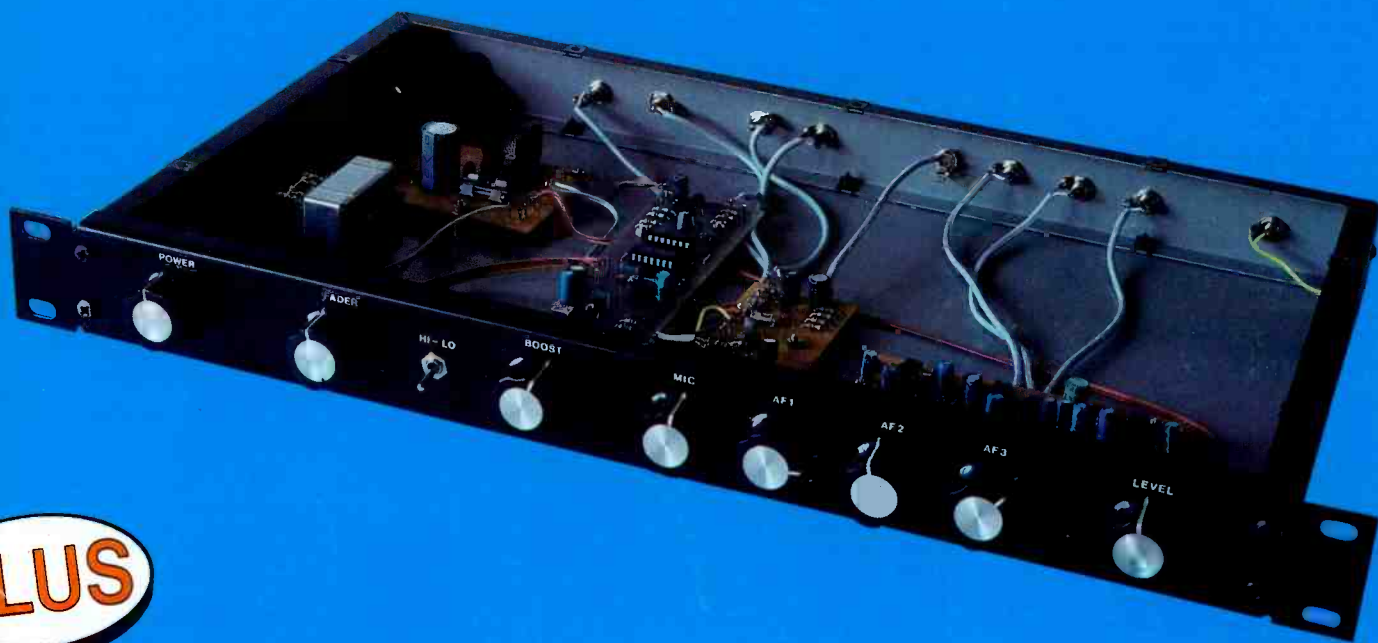
FIRST OF SEVEN MODULES FOR
EDITING HOME VIDEOS

DUAL VOLTAGE INSULATION TESTER

FINDING FAULTS IN WIRING,
APPLIANCES & EQUIPMENT

POWER CONTROLLER

BURST FIRE CONTROL FOR
IMMERSION HEATERS,
ELECTRIC FIRES, ETC



PLUS

ELECTRONICS FROM THE GROUND UP – PART 2

OUR NEW EDUCATIONAL SERIES
FOR HOBBYISTS & STUDENTS



THE No. 1 INDEPENDENT MAGAZINE for ELECTRONICS, TECHNOLOGY and COMPUTER PROJECTS

PC PAL VGA TO TV CONVERTER Converts a colour TV into a basic VGA screen. Complete with built in psu, lead and s/ware. £49.95. Ideal for laptops or a cheap upgrade.

EMERGENCY LIGHTING UNIT Complete unit with 2 double bulb floodlights, built in charger and auto switch. Fully cased. 6v 8AH lead acid req'd. (secondhand) £4 ref MAG4P11.

GUIDED MISSILE WIRE. 4,200 metre reel of ultra thin 4 core insulated cable, 28lbs breaking strain, less than 1mm thick! Ideal alarms, intercoms, fishing, dolls house's etc. £14.99 ref MAG15P5

SINCLAIR C6 13" WHEELS Complete with centre bearing (cycle type), tyre and inner tube. £6 ea ref MAG6P10. Ideal go kart

300v PANEL METER 70x60x50mm, AC, 90 degree scale. Good quality meter. £5.99 ref MAG 6P14. Ideal for monitoring mains etc.

ASTEC SWITCHED MODE PSU BM41012 Gives +5 @ 3.75A, +12@1.5A, -12@.4A, 230V/110, cased, BM41012 £5.99 ref AUG6P3.

TORRIDIAL TX 30-0-30 480VA. Perfect for Mosfet amplifiers etc. 120mm dia 55mm thick. £18.99 ref APR19.

AUTO SUNCHARGER 155x300mm solar panel with diode and 3metre lead fitted with a cigar plug. 12v 2watt. £9.99 ea ref AUG10P3.

FLOPPY DISCS DSDD Top quality 5.25" discs, these have been written to once and are unused. Pack of 20 is £4 ref AUG4P1.

MOD WIRE Perfect for repairing PCB's, wire wrap etc. Thin insulated wire on 500m reels. Our price just £9.99 ref APR10P8.

12v MOVING LIGHT Controller. Made by Hella, 6 channels rated at 30watts each. Speed control, cased. £34.99 ref APR35.

ECLATRON FLASH TUBE As used in police car flashing lights etc, full spec supplied, 60-100 flashes a min. £9.99 ref APR10P5.

24v AC 96WATT Cased power supply. New. £13.99 ref APR14.

MILITARY SPEC GEIGER COUNTERS Unused and straight from Her majesty's forces. £50 ref MAG 50P3.

STETHOSCOPE Fully functioning stethoscope, ideal for listening to hearts, pipes, motors etc. £6 ref MAR6P6.

OUTDOOR SOLAR PATH LIGHT Captures sunlight during the day and automatically switches on a built in lamp at dusk. Complete with sealed lead acid battery etc. £19.99 ref MAR20P1.

ALARM VERSION Of above unit comes with built in alarm and pir to deter intruders. Good value at just £24.99 ref MAR25P4.

CLOCKMAKER KIT Hours of fun making your own clock, complete instructions and everything you need. £7.99 ref MAR8P2.

CARETAKER VOLUMETRIC Alarm, will cover the whole of the ground floor against forced entry. Includes mains power supply and integral battery backup. Powerful internal siren, will take external bell if req'd. Retail £150+, ours? £49.99 ref MAR50P1.

TELEPHONE CABLE White 6 core 100m reel complete with a pack of 100 clips. Ideal 'phone cables etc. £7.99 ref MAR8P3.

IBM PC CASE AND PSU Ideal base for building your own PC. Ex equipment but OK. £9.99 each REF: JUN10P2.

MICRODRIVE STRIPPER Small cased tape drives ideal for stripping, lots of useful goodies including a smart case, and lots of components. £2 each ref JUN2P3.

SOLAR POWER LAB SPECIAL You get TWO 6"x6" 6v 130mA solar cells, 4 LED's, wire, buzzer, switch plus 1 relay or motor. Superb value kit just £5.99 REF: MAG6P8

SOLID STATE RELAYS Will switch 25A mains. Input 3.5-26v DC 57x43x21mm with terminal screws £7.99 REF MAG4P10

300DPIA4 DTP MONITOR Brand new but shop soiled so hence bargain price!!TLECL inputs, 15" landscape, 1200x1664 pixel complete with circuit diag to help you interface with your projects. JUST £14.99. REF JUN15P2.

MULTICORE CABLE 300 metre reel of grey 8 core cable ideal for 'phones, intercoms, computers, alarms etc. Comes in special dispensing container to avoid tangles. £15 ref AUG15.

BUGGING TAPE RECORDER Small voice activated recorder, uses micro cassette complete with headphones. £28.99 ref MAR29P1.

ULTRAMINI BUG MIC 6mmx3.5mm made by AKG. 5-12v electret condenser. Cost £12 ea, Our? four for £9.99 REF MAG10P2.

RGB/CGA/EGA/TTL COLOUR MONITORS 12" in good condition. Back anodised metal case. £79 each REF JUN79

GX4000 GAMES MACHINES returns so ok for spares or repair £9 each (no games). REF MAG9P1

C64 COMPUTERS Returns, so ok for spares etc £9 ref MAG9P2

FUSELAGE LIGHTS 3 foot by 4" panel 1/8" thick with 3 panels that glow green when a voltage is applied. Good for night lights, front panels, signs, disco etc. 50-100v per strip. £25 ref MAG25P2

ANSWER PHONES Returns with 2 faults, we give you the bits for 1 fault, you have to find the other yourself. BT Response 200's £18 ea REF MAG18P1. PSU £5 ref MAG5P12.

SWITCHED MODE PSU ex equip, 60w +5v @.5A, -5v @.5A, +12v @.2A, -12v @.5A 120/220v cased 245x88x55mm IEC input socket £6.99 REF MAG7P1

PLUG IN PSU 9V 200mA DC £2.99 each REF MAG3P9

PLUG IN ACORN PSU 19v AC 14w. £2.99 REF MAG3P10

POWER SUPPLY fully cased with mains and o/p leads 17v DC 900mA output. Bargain price £5.99 ref MAG6P9

ACORN ARCHMEDES PSU +5v @ 4.4A. on/off sw uncased, selectable mains input, 145x100x45mm £7 REF MAG7P2

NEW BULL ELECTRONICS STORE IN WOLVERHAMPTON

55A WORCESTER ST TEL 0902 22039

Spec is 12v DC 3,300rpm £25 ref MAG25.

*****NEW PRODUCT*****

200 WATT INVERTER Converts 10-15v DC into either 110v or 240v AC. Fully cased 115x36x156mm, complete with heavy duty power lead, cigar plug, AC outlet socket. Auto overload shutdown, auto short circuit shut down, auto input over voltage shutdown, auto input under voltage shutdown (with audible alarm), auto temp control, unit shuts down if overheated and sounds audible alarm. Fused reversed polarity protected. output frequency within 2%, voltage within 10%. A extremely well built unit at a very advantageous price!!! Price is £64.99 ref AUG65.

UNIVERSAL SPEED CONTROLLER KIT Designed by us for the C5 motor but ok for any 12v motor up to 30A. Complete with PCB etc. A heat sink may be required. £17.00 REF: MAG17

MAINS CABLE Precut black 2 core 2 metre lengths ideal for repairs, projects etc. 50 metres for £1.99 ref AUG2P7.

COMPUTER COMMUNICATIONS PACK Kit contains 100m of 6 core cable, 100 cable clips, 2 line drivers with RS232 interfaces and all connectors etc. Ideal low cost method of communicating between PC's over a long distance. Complete kit £15.99 Ref MAR16P2.

MINICYCLOPS PIR 52x62x40mm runs on PP3 battery complete with shrill siren. Cheap protection at only £5.99 ref MAR6P4.

ELECTRIC MOTOR KIT Comprehensive educational kit includes all you need to build an electric motor. £9.99 ref MAR10P4.

VIDEO SENDER UNIT. Transmits both audio and video signals from either a video camera, video recorder, TV or Computer etc to any standard TV set in a 100' range! (tune TV to a spare channel) 12v DC op. Price is £15.99 REF: MAG15 12v psu is £5 extra REF: MAG5P2

***FM CORDLESS MICROPHONE** Small hand held unit with a 500' range! 2 transmit power levels. Reqs PP3 9v battery. Tuneable to any FM receiver. Price is £15 REF: MAG15P1

LOW COST WALKIE TALKIES Pair of battery operated units with a range of about 200'. Ideal for garden use or as an educational toy. Price is £8 a pair REF: MAG 8P1 2 x PP3 req'd.

***MINIATURE RADIO TRANSCEVERS** a pair of walkie talkies with a range of up to 2 kilometres in open country. Units measure 22x52x155mm. Complete with cases and earpieces, 2xPP3 req'd. £30.00 pair REF: MAG30

COMPOSITE VIDEO KIT. Converts composite video into separate H sync, V sync, and video. 12v DC. £8.00 REF: MAG8P2.

LQ3600 PRINTER ASSEMBLIES Made by Amstrad they are entire mechanical printer assemblies including printhead, stepper motors etc in fact everything bar the case and electronics, a good stripper! £5 REF: MAG5P3 or 2 for £8 REF: MAG8P3

SPEAKER WIRE Brown 2 core 100 foot hank £2 REF: MAG2P1

LED PACK of 100 standard red 5mm leds £5 REF MAG5P4

UNIVERSAL PC POWER SUPPLY complete with flyleads, switch, fan etc. Two types available 150w at £15 REF: MAG15P2 (23x23x23mm) and 200w at £20 REF: MAG20P3 (23x23x23mm)

***FM TRANSMITTER** housed in a standard working 13A adapter! the bug runs directly off the mains so lasts forever! why pay £700? or price is £26 REF: MAG26 Transmits to any FM radio.

***FM BUG KIT** New design with PCB embedded coil for extra stability. Works to any FM radio. 9v battery req'd. £5 REF: MAG5P5

***FM BUG BUILT AND TESTED** superior design kit. Supplied to detective agencies. 9v battery req'd. £14 REF: MAG14

TALKING COINBOX STRIPPER originally made to retail at £79 each, these units are designed to convert and ordinary phone into a payphone. The units have the locks missing and sometimes broken hinges. However they can be adapted for their original use or used for something else?? Price is just £3 REF: MAG3P1

100 WATT MOSFET PAIR Same spec as 25K343 and 2SJ413 (8A, 140v, 100w) 1 N channel, 1 P channel, £3 a pair REF: MAG3P2

TOP QUALITY SPEAKERS Made for Hi Fi televisions these are 10 watt 4R Jap made 4" round with large shielded magnets. Good quality. £2 each REF: MAG2P4 or 4 for £6 REF: MAG6P2

TWEETERS 2" diameter good quality tweeter 140R (ok with the above speaker) 2 for £2 REF: MAG2P5 or 4 for £3 REF: MAG3P4

AT KEYBOARDS Made by Apricot these quality keyboards need just a small mod to run on any AT, they work perfectly but you will have to put up with 1 or 2 foreign keycaps! Price £6 REF: MAG6P3

PC CASES Again mixed types so you take a chance next one off the pile £12 REF: MAG12 or two the same for £20 REF: MAG20P4

HEADPHONES Ex Virgin Atlantic. 8 pairs for £2 REF: MAG2P8

PROXIMITY SENSORS These are small PCB's with what look like a source and sensor LED on one end and lots of components on the rest of the PCB. Complete with fly leads. Pack of 5 £3 REF: MAG: 3P5 or 20 for £8 REF: MAG8P4

*SOME OF OUR PRODUCTS MAY BE UNLICENSEABLE IN THE UK

BULL ELECTRICAL
250 PORTLAND ROAD HOVE SUSSEX
BN3 5QT

MAIL ORDER TERMS: CASH PO OR CHEQUE
WITH ORDER PLUS £3.00 POST PLUS VAT.

PLEASE ALLOW 7 - 10 DAYS FOR DELIVERY
TELEPHONE ORDERS WELCOME
TEL: 0273 203500
FAX: 0273 323077

SNOOPERS EAR? Original made to clip over the earpiece of telephone to amplify the sound-it also works quite well on the cable running along the wall! Price is £5 REF: MAG5P7

DOS PACKS Microsoft version 3.3 or higher complete with all manuals or price just £5 REF: MAG5P8 Worth it just for the very comprehensive manual! 5.25" only

DOS PACK Microsoft version 5 Original software but no manuals hence only £3 REF: MAG3P6 5.25" only

PIR DETECTOR Made by famous UK alarm manufacturer these are hi spec, long range internal units. 12v operation. Slight marks on case and unboxed (although brand new) £8 REF: MAG8P5

WINDUP SOLAR POWERED RADIO AM/FM radio complete with hand charger and solar panel! £14 REF: MAG14P1

MOBILE CARPHONE £5.99 Well almost! complete in carphone excluding the box of electronics normally hidden under seat. Can be made to illuminate with 12v also has built in light sensor so display only illuminates when dark. Totally convincing! REF: MAG6P6

ALARM BEACONS Zenon strobe made to mount on an external bell box but could be used for caravans etc. 12v operation. Just connect up and it flashes regularly! £5 REF: MAG5P11

FIRE ALARM CONTROL PANEL High quality metal cased alarm panel 350x165x80mm. With key. Comes with electronics but no information. sale price 7.99 REF: MAG8P6

REMOTE CONTROL PCB These are receiver boards for garage door opening systems. Another use? £4 ea REF: MAG4P5

6"X12" AMORPHOUS SOLAR PANEL 12v 155x310mm 130mA. Bargain price just £5.99 ea REF: MAG6P12

FIBRE OPTIC CABLE BUMPER PACK 10 metres for £4.99 ref MAG5P13 ideal for experimenters! 30m for £12.99 ref MAG13P1

LOPTX Line output transformers believed to be for IBM hi res colour monitors but useful for getting high voltages from low ones! £2 each REF: MAG2P12 bumper pack of 10 for £12 REF: MAG12P3

HEATSINKS (finned) TO220, designed to mount vertically on a pcb 50x40x25mm you can have a pack of 4 for £1 ref JUN11P11.

WATERPROOF JUNCTION BOX 65mm dia 33mm deep. Four cable entry exit points (adjustable for any size cable) snap fit lid. Ideal for TV, satellite use. £2 ea ref APR2 or 6 for £10 ref APR10P7.

BOTH SHOPS OPEN 9-5.30 SIX DAYS A WEEK

INFRARED LASER NIGHT SCOPES

Second generation image intensifier complete with hand grip attachment with built in adjustable laser lamp for zero light conditions. Supplied with Pentax 42mm camera mount and normal eye piece. 1.6kg, uses 1xPP3, 3xAA's (all supplied) £245+Vat

NEW HIGH POWER LASERS

15mW, Helium neon, 3 switchable wave lengths .63um, 1.15um, 3.39um (2 of them are infrared) 500:1 polarizer built in so good for holography. Supplied complete with mains power supply. 790x65mm. Use with EXTREME CAUTION AND UNDER QUALIFIED GUIDANCE. £349+Vat.

*****WE BUY SURPLUS STOCK*****

TURN YOUR SURPLUS STOCK INTO CASH. IMMEDIATE SETTLEMENT. WE WILL ALSO QUOTE FOR COMPLETE FACTORY CLEARANCE.

1994 CATALOGUE.

MINIMUM GOODS ORDER £50 TRADE ORDERS FROM GOVERNMENT, SCHOOLS, UNIVERSITIES & LOCAL AUTHORITIES WELCOME ALL GOODS SUPPLIED SUBJECT TO OUR CONDITIONS OF SALE AND UNLESS OTHERWISE STATED GUARANTEED FOR 30 DAYS. RIGHTS RESERVED TO CHANGE PRICES & SPECIFICATIONS WITHOUT PRIOR NOTICE. ORDERS SUBJECT TO STOCK QUOTATIONS WILLINGLY GIVEN FOR QUANTITIES HIGHER THAN THOSE STATED

3FT X 1FT 10WATT SOLAR PANELS

14.5v/700mA

£33.95

(PLUS £2.00 SPECIAL PACKAGING CHARGE)

TOP QUALITY AMORPHOUS SILICON CELLS HAVE ALMOST A TIMELESS LIFESPAN WITH AN INFINITE NUMBER OF POSSIBLE APPLICATIONS. SOME OF WHICH MAY BE CAR BATTERY CHARGING, FOR USE ON BOATS OR CARAVANS, OR ANYWHERE A PORTABLE 12V SUPPLY IS REQUIRED. REF: MAG34

PORTABLE RADIATION DETECTOR

£49.99

A Hand held personal Gamma and X Ray detector. This unit contains two Geiger Tubes, has a 4 digit LCD display with a Piezo speaker, giving an audio visual indication. The unit detects high energy electromagnetic quanta with an energy from 30K eV to over 1.2M eV and a measuring range of 5-9999 UR/h or 10-99990 Nr/h. Supplied complete with handbook. Ref MAG50.

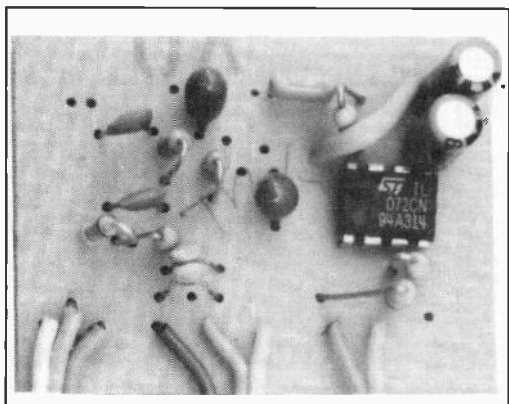
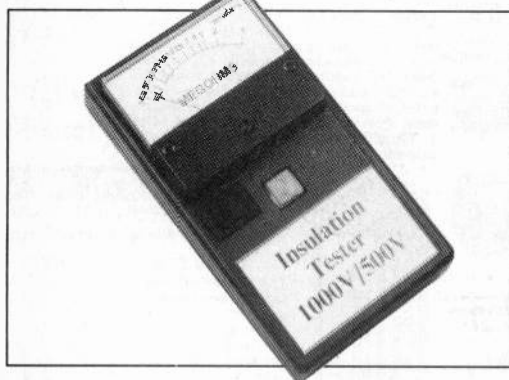
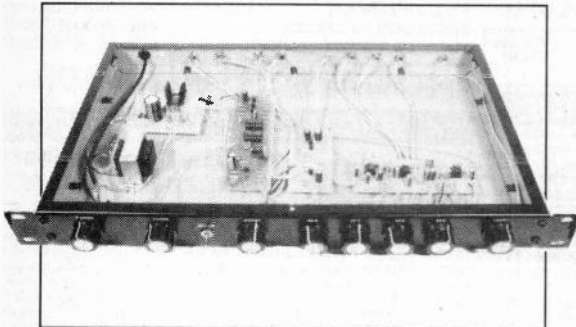
ISSN 0262 3617
PROJECTS... THEORY... NEWS...
COMMENT... POPULAR FEATURES...

VOL. 23 No. 11 NOVEMBER 1994

EVERYDAY WITH PRACTICAL ELECTRONICS

INCORPORATING ELECTRONICS MONTHLY

**The No. 1 Independent Magazine for Electronics,
Technology and Computer Projects**



© Wimborne Publishing Ltd 1994. Copyright in all drawings, photographs and articles published in EVERYDAY with PRACTICAL ELECTRONICS is fully protected, and reproduction or imitations in whole or in part are expressly forbidden.

Our December '94 Issue will be published on Friday, 4 November 1994. See page 811 for details.

Projects

- 1000V/500V INSULATION TESTER** by Mark Stuart **822**
High tension testing for potential safety of mains cables and equipment
- VIDEO MODULES** by Robert Penfold **830**
Polish-up your video editing with a seven-module controller
- ACTIVE GUITAR TONE CONTROL** by John Chatwin **842**
Brighten-up your playing with a low cost, simple circuit
- POWER CONTROLLER** by Alan Winstanley **870**
Warm-up more cheaply with an interference-free power saving controller
- TV OFF-ER** by Chris Brown **878**
Timed TV turn-off for safer slumbers

Series

- INTERFACE** by Robert Penfold **844**
The page for computer enthusiasts
- INGENUITY UNLIMITED** by Enthusiastic Readers **846**
The circuit show-case for readers' designs
- ELECTRONICS FROM THE GROUND UP - 2** **854**
by Mike Tooley B.A.
First steps in understanding electronics, with optional design software
- TECHNIQUES-ACTUALLY DOING IT** by Robert Penfold **876**
Protecting CMOS chips from static zapping
- AMATEUR RADIO** by Tony Smith G4FAI **888**
Amateur licence changes; Amateur satellite progress; Morse 2000

Features

- EDITORIAL** **821**
- INNOVATIONS** **826**
Everyday news from the world of electronics
- NEW TECHNOLOGY UPDATE** by Ian Poole **828**
Latest display developments to meet new demands
- CONSUMER ELECTRONICS SHOW** by Barry Fox **838**
Reporting on the latest developments from the annual Chicago Exhibition
- ELECTRONICS VIDEOS** **852**
Our range of educational videos to complement your studies
- ELECTRONICS PRINCIPLES II SOFTWARE** **866**
Educational software - plus Toolbox 2.0 and GCSE Mathematics
- DOWN TO EARTH** by George Hylton **867**
Diodes as rectifiers
- SHOPTALK** with David Barrington **868**
Component buying for EPE projects
- DIRECT BOOK SERVICE** **883**
A wide range of technical books available by mail order
- PRINTED CIRCUIT BOARD SERVICE** **886**
PCBs for EPE projects - some at sale price!
- ADVERTISERS INDEX** **892**

FREE

GREENWELD 1995 CATALOGUE (196-Pages)
BANDED WITH MAGAZINE

Readers Services • Editorial and Advertisement Departments 821

Surplus always wanted for cash!

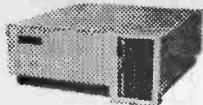
THE ORIGINAL SURPLUS WONDERLAND!

THIS MONTH'S SELECTION FROM OUR VAST EVER CHANGING STOCKS

Surplus always wanted for cash!

LOW COST PC's - ALL EXPANDABLE - ALL PC COMPATIBLE

THE OFFER OF 1994!



SPECIAL BUY

AT 286

40Mb HD + 3Mb Ram

LIMITED QUANTITY only of these 12Mhz HI GRADE 286 systems Made in the USA to an industrial specification, the system was designed for reliability. The compact case houses the motherboard, PSU and EGA video card with single 5 1/4" 1.2 Mb floppy disk drive & Integral 400Mb hard disk drive to the front. Real time clock with battery backup is provided as standard. Supplied in good used condition complete with enhanced keyboard, 640k + 2Mb RAM, DOS 4.01 and 90 DAY Full Guarantee. Ready to Run!

Order as HIGRADE 286 **ONLY £149.00 (E)**

PC SCOOP COMPLETE COLOUR SYSTEM ONLY £99.00



A massive bulk purchase enables us to bring you a COMPLETE ready to run colour PC system at an unheard of price! The Display Electronics PC99 system comprises of fully compatible and expandable XT PC with 256k of RAM, 5 1/4" 360k floppy disk drive, 12" CGA colour monitor, standard 84 key keyboard, MS DOS and all connecting cables - just plug in and go! Ideal students, schools or anybody wishing to learn the world of PC's on an ultra low budget. Don't miss this opportunity. Fully guaranteed for 90 Days.

Order as PC99COL **£99.00 (E)**



Computer Controlled Laser Video Disk Player

One of the most amazing surplus deals that we ever been able to offer you! The Philips VP410 LaserVision player, in as new condition, unit features full computer control. Plays standard 12" LaserVision disks with startling visual and audio quality in two channel stereo or mono. When controlled by a computer, it may also be used as a versatile high quality storage / retrieval medium. It will play back either LaserVision CAV (active play) or CLV (Long Play) discs (which covers most types of commercially available video discs). Some of the many features of this incredible machine are:

- RS-232 INTERFACE
- RGB / COMPOSITE VIDEO OUTPUT
- BNC+SCART INTERFACE
- PAL / RGB DECODER
- IR+WIRED REMOTE CONTROL
- FAST RANDOM ACCESS

SPECIAL PURCHASE Only £399.00 (F)

Optional Fitted extras: VGA graphics card	£29.00
1.4Mb 3 1/2" floppy disk drive (instead of 1.2 Mb)	£32.95
NE2000 Ethernet (thick, thin or twisted) network card	£49.00

Optional Fitted extras: 640K RAM	£29.00
2nd floppy drive, specify 5 1/4" 360k or 3 1/2" 720k	£29.95

Above prices for PC99 offer ONLY.

VIDEO MONITOR SPECIALS

Superb quality 14" FOREFRONT MTS-9600 SVGA Multisync - Multisync monitor 0.28" dot pitch with resolution of 1024 x 768. The multi mode input allows direct connection to a host of computers including IBM PC's in CGA, EGA, VGA & SVGA modes, BBC, COM-MODORE (including Amiga 1200), ARCHIMIDES etc. The H version will also function with the ATARI in all modes inc Hi RES monochrome. Complete with text switching for WP use (possible minor screen burns) Syncs down to 15 kHz. Supplied in EXCELLENT little used condition with full 90 day guarantee.

Order as MTS-9600/H for ATARI **£159.00 (E)**
All modes as above Order as MTS-9600/S **£139.00 (E)**

ELECTROHOME ECM-12115BU 12" VGA multisync monitor with resolution 640 x 480. Multi input selection; spin CGA/EGA; 15 pin VGA or 5 BNC connectors. 0.31 pitch. Compatible with PCs, Amiga, Atari and others. In good used condition (possible minor screen burns). 90 day guarantee. **£99.00 (E)**

KME 10" high definition colour monitors. Nice tight 0.28" dot pitch for superb clarity and modern styling. Operates from any 15.625 khz sync RGB video source, with RGB analog and composite sync such as Atari, Commodore Amiga, Acorn Archimedes & BBC. Measures only 13.5" x 12" x 11". Only **£125 (E)** Good used condition, 90 day guarantee.
KME 10" as above for PC EGA standard **£145.00 (E)**

NEC CGA 12" colour IBM-PC compatible. High quality ex-equipment fully tested with a 90 day guarantee. In an attractive two tone ribbed grey plastic case measuring 15" x 13" x 12". The front cosmetic bezel has been removed for contractual reasons. **Only £49.00 (E)**

20" and 26" AV SPECIALS
Superbly made UK manufacture. PIL all solid state colour monitors, complete with composite video & optional sound inputs. Attractive teak style case. Perfect for Schools, Shops, Disco, Clubs, etc. In EXCELLENT little used condition with full 90 day guarantee.
20"....£135 22"....£155 26"....£185 (F)
9" Mono cased, Black & White for CCTV Used / Tested **£49.00 (C)**

DC POWER SUPPLIES

10,000 Power Supplies Ex Stock Call for info / list

- Power One SPL200-5200P 200 watt (250 w peak). Semi open frame giving +5v 35a, -5v 1.5a, +12v 4a (8a peak), -12v 1.5a, +24v 4a (6a peak). All outputs fully regulated with over voltage protection on the +5v output. AC input selectable for 110/240 vac. Dims 13" x 5" x 2.5". Fully guaranteed RFE. **£85.00 (B)**
- Power One SPL 130. 130 watts. Selectable for 12v (4A) or 24 v (2A), 5v @ 20A, & 12v @ 1.5A. Switch mode New. **£59.95 (B)**
- Astec AC-8151 140 watts. Switch mode. +5v @ 2.5a, +12v @ 2a, -12v @ 0.1a, 6-1/4" x 4" x 1-3/4" RFE tested **£22.95 (B)**
- Lambda LVS-PY-12 200 watt switch mode +12V DC @ 29a semi enclosed, 10" x 5" x 5". RFE and fully tested. **£59.95 (C)**
- Conver AC130 130 watt hi-grade VDE spec. Switch mode +5v @ 15a, +5v @ 1a, +12v @ 6a 27 x 12.5 x 6.5cms. New. **£49.95 (C)**
- Boshert 13090. Switch mode. Ideal for drives & system. +5v @ 9a, +12v @ 2.5a, -12v @ 0.5a, -5v @ 0.5a. **£25.95 (B)**
- Farnell G6/40A. Switch mode. 5v @ 40a. Encased **£95.00 (C)**

SPECIAL INTEREST

- INTEL SBC486/133SE Multibus 486 system. 8Mb Ram Zeta 3220-05 40 pin HPGL RS232 last drum plotter **£1975**
- Avitel VDA-3100 Video Distribution Amps. 1 in 92 out Trio 0-18 vdc bench PSU, 30 amps. New **£2100**
- Fujitsu M3041 600 LPM band printer **£575**
- VG Electronics 1035 Decoding Margin Meter Rack **£470**
- Andrews LARGE 6 m Satellite Dish + mount (For Voyager!) **£1950**
- RED TOP IR Heat seeking missile (not armed!) **£3750**
- Tektronix 1L30 Spectrum analyser plug in **£950**
- Thurlby LA 160B logic analyser **£330**
- GEC 1.5kw 115v 60hz power source **£375**
- Brush 2kV 400 Hz 3 phase frequency converter **£950**
- Anton Pillar 75 kW 400 Hz 3 phase frequency converter **£850**
- Newton Derby 70 KW 400 Hz 3 phase frequency converter **£750**
- Nikon PL-2 Projection lens meter/scope **£1995**
- Sekonic SD 150H 18 channel digital Hybrid chart recorder **£1850**
- HP 7580A A1 8 pin HPGL high speed drum plotter **£350**
- Kenwood DA-3501 CD tester, laser pickup simulator **£125**
- Computar MCA1613APC 16mm auto iris lenses 'C' mount **£585**
- Seaward PAT 2000 dual voltage computerised PAT tester

FLOPPY DISK DRIVES 3.5" - 8"

5.25" from £22.95 - 3.5" from £24.95

Massive purchases of standard 5.25" and 3.5" drives enables us to present prime product at industry beating low prices! All units (unless stated) are BRAND NEW or removed from often brand new equipment and are fully tested, aligned and shipped to you with a 90 day guarantee and operate from standard voltages and are of standard size. All are IBM-PC compatible (if 3.5" supported on your PC).

- 3.5" Panasonic JU363/4 720K or equivalent **£24.95 (B)**
- 3.5" Mitsubishi MF355C-L, 1.4 Meg. Laptops only * **£36.95 (B)**
- 3.5" Mitsubishi MF355C-D, 1.4 Meg. Non laptop **£29.95 (B)**
- 5.25" Teac FD-55GFR, 1.2 Meg **£29.95 (B)**
- 5.25" BRAND NEW Mitsubishi MF501B 360K **£22.95 (B)**
- * Data cable included in price.
- Shugart 800/801 8" SS refurbished & tested **£195.00 (E)**
- Shugart 851 8" double sided refurbished & tested **£250.00 (E)**
- Mitsubishi M2894-63 8" sided switchable NEW **£250.00 (E)**
- Mitsubishi M2896-63 8" DS slimline NEW **£250.00 (E)**

Dual 8" drives with 2 mbyte capacity housed in a smart case with built in power supply. Ideal as exterior drives! **£499.00 (F)**

HARD DISK DRIVES

End of line purchase scoop! Brand new NEC D2246 8" 85 Mbyte of hard disk storage! Full industry standard SMD Interface. Ultra hi speed data transfer and access time, replaces Fujitsu equivalent model. Complete with manual. Only **£299.00 (E)**

- 3.5" FUJII FK-309-26 20mb MFM I/F RFE **£59.95 (C)**
- 3.5" CONNER CP3024 20 mb IDE I/F (or equiv) RFE **£69.95 (C)**
- 3.5" CONNER CP3044 40mb IDE I/F (or equiv) RFE **£99.00 (C)**
- 3.5" RODIME R030575 45mb SCSI I/F (Mac & Acorn) **£99.00 (C)**
- 5.25" MINISCRIIBE 3425 20mb MFM I/F (or equiv.) RFE **£49.95 (C)**
- 5.25" SEAGATE ST-238R 30 mb RLL I/F Refurb **£69.95 (C)**
- 5.25" CDC 94205-51 40mb HH MFM I/F RFE tested **£89.95 (C)**
- 8" FUJITSU M2322K 160Mb SMD I/F RFE tested **£195.00 (E)**

THE AMAZING TELEBOX

Converts your colour monitor into a QUALITY COLOUR TV!!



TV SOUND & VIDEO TUNER!

The TELEBOX consists of an attractive fully cased mains powered unit, containing all electronics ready to plug into a host of video monitors, made by manufacturers such as MICROVITEC, ATARI, SANYO, SONY, COMMODORE, PHILIPS, TATUNG, AMSTRAD and many more. The composite video output will also plug directly into most video recorders, allowing reception of TV channels not normally receivable on most television receivers* (TELEBOX MB). Push button controls on the front panel allow reception of 8 fully tuneable 'off air' UHF colour television channels. TELEBOX MB covers virtually all television frequencies VHF and UHF including the HYPERBAND as used by most cable TV operators. A composite video output is located on the rear panel for direct connection to most makes of monitor. For complete compatibility - even for monitors without sound - an integral 4 watt audio amplifier and low level Hi Fi audio output are provided as standard.

- TELEBOX ST for composite video input type monitors **£32.95**
 - TELEBOX STL as ST but with Integral speaker **£36.50**
 - TELEBOX MB Multiband VHF-UHF-Cable-Hyperband tuner **£69.95**
- For overseas PAL versions state 5.5 or 6mhz sound specification. *For cable / hyperband reception Telebox MB should be connected to cable type socket. Shipping code on all Teleboxes is (B)

FANS & BLOWERS

- MITSUBUSHI MMF-D6D12DL 60 x 25 mm 12v DC **£4.95 10 / £42**
 - MITSUBUSHI MMF-09B12DH 92 x 25 mm 12v DC **£5.95 10 / £53**
 - PANCAEK 12-3.5 92 x 18 mm 12v DC **£7.95 10 / £69**
 - EX-EQUIP 120 x 38mm AC fans - tested specify 110 or 240 v **£6.95**
 - EX-EQUIP 80 x 38mm AC fans - tested specify 110 or 240 v **£5.95**
 - VERO rack mount 1U x 19" fan tray specify 110 or 240v **£45.95**
 - IMHOF B26 1900 rack mnt 3U x 19" Blower 110/240v NEW **£79.95**
- Shipping on all fans (A), Blowers (B), 50,000 Fans Ex Stock CALL

IC'S TRANSISTORS DIODES

OBSOLETE - SHORT SUPPLY - BULK
5,000,000 items EX STOCK
For MAJOR SAVINGS - SAE or CALL FOR LATEST LIST

Issue 12 of Display News now available - send large SAE - PACKED with bargains!

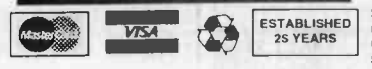


LONDON SHOP
Open Mon-Sat 9:00-5:30
215 Whitehorse Lane
South Norwood
LONDON SE25

DISTEL © The Original
FREE On line Database
Info on 1000's of items
V21, V22, V22 BIS
081 679 1888

ALL MAIL & OFFICES
Open Mon-Fri 9:00-5:30
Dept EE. 32 Biggin Way
Upper Norwood
LONDON SE19 3XF

ALL ENQUIRIES
081 679 4414
FAX 081 679 1927



All prices for UK Mainland. UK customers add 17.5% VAT to TOTAL order amount. Minimum order £10. Bona Fide account orders accepted from Government, Schools, Universities and Local Authorities - minimum account order £50. Carriage charges (A)=£3, (AT)=£4.00, (B)=£5.50, (C)=£8.50, (D)=£12.00, (E)=£15.00, (F)=£18.00, (G)=CALL. Allow approx 6 days for shipping - faster CALL. Scotland surcharge CALL. All goods supplied to our Standard Conditions of Sale and unless stated guaranteed for 90 days. All guarantees on a return to base basis. All rights reserved to change prices / specifications without prior notice. Orders subject to stock. Discounts for volume. Top CASH prices paid for surplus goods. All trademarks etc acknowledged. © Display Electronics 1994. E & O E.

FREE

BULL ELECTRICAL CATALOGUE

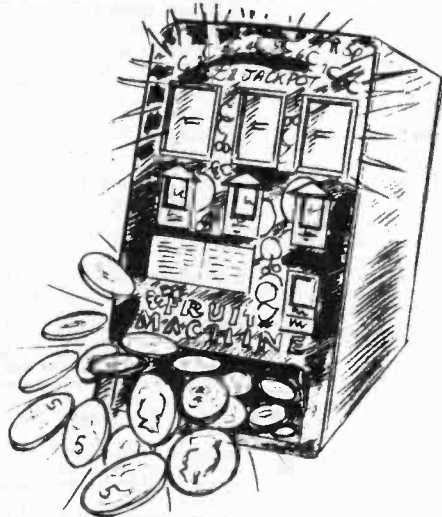
EPE FRUIT MACHINE

A Coin Operated Fruit Machine that really pays out!

With the advent of the single chip microcontroller it has become possible to design a Fruit Machine (or "One Armed Bandit") with reasonably simple circuitry. This unit employs a small p.c.b., is battery operated and has plenty of space left, in a smaller than shoe box case, for the single most important feature – a real payout mechanism.

This design, which we believe fits into the "executive toy" category, makes use of two simple-to-construct plastic coin mechanisms, a coin detector and a coin payout mechanism. Both mechanisms are designed to work with the new small five pence piece. This coin was chosen for two reasons. Firstly, the Fruit Machine had to be reasonably inexpensive to play while at the same time offering a high value jackpot. Secondly, since the five pence coin is the smallest, lower value coins will not fit through the slot, so no reject mechanism is required.

In order to minimise the number of mechanical components, large 7-segment displays are used instead of "reels" to reproduce "fruit" symbols. Animation techniques have been used to give the "reels" a realistic spinning action, and software algorithms have been designed to simulate the inertia, friction and sound of an equivalent mechanical system.



UNIVERSAL DIGITAL CODE LOCK

Designed to be used in a wide variety of applications this easy to build unit is based on a microcontroller chip which provides a four-digit programmable combination. This gives over 20,000 possible combinations which, together with a wrong combination warning alarm and keyboard disable timer, should provide excellent security.

VIDEO CONTROLLER MODULES

More modules to add to the three in this issue – the next modules are: Horizontal Wiper; Vertical Wiper; Audio Mixer and, space permitting, Dynamic Noise Limiter and PSU.

EVERYDAY
WITH **PRACTICAL**
ELECTRONICS

OUR DECEMBER ISSUE WILL BE PUBLISHED ON FRIDAY, NOVEMBER 4th

Everyday with Practical Electronics, November, 1994

EXTRA

£1 BARGAIN PACKS - List 1

1,000 items appear in our Bargain Packs List - request one of these when you next order.

- 1 x 12V Stepper Motor. 7.5 degree. Order Ref: 910.
- 1 x 10 pack Screwdrivers. Order Ref: 909.
- 2 x 5 amp Pull Cord Ceiling Switches. Brown. Order Ref: 921.
- 5 x reels Insulation Tape. Order Ref: 911.
- 4 x 14mm Bull-races. Order Ref: 912.
- 2 x Cord Grip Switch Lamp Holders. Order Ref: 913.
- 1 x DC Voltage Reducer. 12V-6V. Order Ref: 916.
- 1 x 10 amp 40V Bridge Rectifier. Order Ref: 889.
- Lightweight Stereo Headphones. Moving coil so superior sound. Order Ref: 896.
- 2 x 25W Crossovers. For 4ohm loudspeakers. Order Ref: 22.
- 2 x NiCad Constant Current Chargers. Easily adaptable to charge almost any NiCad battery. Order Ref: 30.
- 18V-0-18V 10VA mains transformer. Order Ref: 813.
- 2 x White Plastic Boxes. With lids, approx. 3" cube. Lid has square hole through the centre so these are ideal for light operated switch. Order Ref: 132.
- 2 x Reed Relay Kits. You get 8 reed switches and 2 coil sets. Order Ref: 148.
- 12V-0-12V 6VA mains transformer, p.c.b. mounting. Order Ref: 938.
- 1 x Big Pull Solenoid. Mains operated. Has 1/2" pull. Order Ref: 871.
- 1 x Big Push Solenoid. Mains operated. Has 1/2" push. Order Ref: 872.
- 1 x Mini Mono Amp. 3W into 4 ohm speaker or 1W into 8ohm. Order Ref: 495.
- 1 x Mini Stereo 1W Amp. Order Ref: 870.
- 15V DC 150mA p.s.u., nicely cased. Order Ref: 942.
- 1 x In-Flight Stereo Unit is a stereo amp. Has two most useful minl moving coil speakers. Made for BOAC passengers. Order Ref: 29.
- 1 x 0-1mA Panel Meter. Full vision fact 70mm square. Scaled 0-100. Order Ref: 756.
- 2 x Lithium Batteries. 2.5V penlight size. Order Ref: 874.
- 2 x 3m Telephone Leads. With BT flat plug. Ideal for 'phone extensions, fax, etc. Order Ref: 552.
- 1 x 12V Solenoid. Has good 1/2" pull or could push if modified. Order Ref: 232.
- 4 x In-Flex Switches. With neon on/off lights, saves leaving things switched on. Order Ref: 7.
- 2 x 6V 1A Mains Transformers. Upright mounting with fixing clamps. Order Ref: 9.
- 2 x Humidity Switches. As the air becomes damper, the membrane stretches and operates a micro switch. Order Ref: 32.
- 5 x 13A Rocker Switch. Three tags so on/off, or changeover with centre off. Order Ref: 42.
- Mini Cassette Motor, 9V. Order Ref: 944.
- 1 x Suck or Blow-Operated Pressure Switch. Or it can be operated by any low pressure variation such as water level in tanks. Order Ref: 67.
- 1 x 6V 750mA Power Supply. Nicely cased with mains input and 6V output lead. Order Ref: 103A.
- 2 x Stripper Boards. Each contains a 400V 2A bridge rectifier and 14 other diodes and rectifiers as well as dozens of condensers, etc. Order Ref: 120.
- 12 Very Fine Drills. For PCB boards etc. Normal cost about 80p each. Order Ref: 128.
- 5 x Motors for Model Aeroplanes. Spin to start so needs no switch. Order Ref: 134.
- 6 x Microphone Inserts. Magnetic 400 ohm, also act as speakers. Order Ref: 139.
- 6 x Neon Indicators. In panel mounting holders with lens. Order Ref: 180.
- 1 x In-Flex Solderstat. Keeps your soldering iron etc always at the ready. Order Ref: 196.
- 1 x Mains Solenoid. Very Powerful as 1/2" pull, or could push if modified. Order Ref: 199.
- 1 x Electric Clock. Mains operated. Put this in a box and you need never be late. Order Ref: 211.
- 4 x 12V Alarms. Makes a noise about as loud as a car horn. All brand new. Order Ref: 221.
- 2 x (6" x 4") Speakers. 16 ohm 5 watts, so can be joined in parallel to make a high wattage column. Order Ref: 243.
- 1 x Panostat. Controls output of boiling ring from simmer up to boil. Order Ref: 252.
- 2 x Oblong Push Switches. For bell or chimes, these can switch mains up to 5A so could be foot switch if fitted in pattress. Order Ref: 263.
- 50 x Mixed Silicon Diodes. Order Ref: 293.
- 1 x 6 Digit Mains Operated Counter. Standard size but counts in even numbers. Order Ref: 28.
- 2 x 6V Operated Reed Relays. One normally on, other normally closed. Order Ref: 48.
- 1 x Cabinet Lock. With two keys. Order Ref: 55.
- 6 1/2 8Ω 5 Watt Speaker. Order Ref: 824.
- 1 x Shaded Pole Mains Motor. 3/8" stack, so quite powerful. Order Ref: 85.
- 2 x 5 Aluminium Fan Blades. Could be fitted to the above motor. Order Ref: 86.
- 1 x Case, 3 1/2 x 2 1/4 x 1 1/4 with 13A socket pins. Order Ref: 845.
- 2 x Cases. 2 1/2 x 2 1/4 x 1 1/4 with 13A pins. Order Ref: 565.
- 4 x Luminous Rocker Switches. 10A mains. Order Ref: 793.
- 4 x Different Standard V3 Micro Switches. Order Ref: 340.
- 4 x Different Sub Min Micro Switches. Order Ref: 313.

BARGAINS GALORE

INSULATION TESTER WITH MULTIMETER. Internally generates voltages which enable you to read insulation directly in megohms. The multimeter has four ranges, AC/DC volts, 3 ranges millamps, 3 ranges resistance and 5 amp range. These instruments are ex-British Telecom but in very good condition, tested and guaranteed OK, probably cost at least £50, yours for only £7.50 with leads, carrying case £2 extra. Order Ref: 7.5P4.

THIS INSTRUMENT but slightly faulty - you should be able to repair it. We supply circuit diagram and notes. £3. Order Ref: 3P176.

12V 10A SWITCH MODE POWER SUPPLY. For only £9.50 and a little bit of work because you have to convert our 135W PSU. Modifications are relatively simple - we supply instructions. Simply Order PSU Ref: 9.5P2 and request modification details. Price still £9.50.

MEDICINE CUPBOARD ALARM. Or it could be used to warn when any cupboard door is opened. The light shining on the unit makes the bell ring. Completely built and neatly cased, requires only a battery. £3. Order Ref: 3P155.

DON'T LET IT OVERFLOW! Be it bath, sink, cellar, sump or any other thing that could flood. This device will tell you when the water has risen to the preset level. Adjustable over quite a useful range. Neatly cased for wall mounting, ready to work when battery fitted. £3. Order Ref: 3P156.

VERY POWERFUL MAINS MOTOR. With extra long (2 1/2") shafts extending out each side. Makes it ideal for a reversing arrangement for, as you know, shaded pole motors are not reversible. £3. Order Ref: 3P157.

SOLAR PANEL BARGAIN. Gives 3V at 200mA. £2. Order Ref: 2P324.

£1 SUPER BARGAIN 12V axial fan for only £1. Ideal for equipment cooling, brand new, made by West German company. Brushless so virtually everlasting. Needs simple transistor drive circuit, we include diagram. Only £1. Order Ref: 919. When we supply this we will include a list of approximately 800 of our other £1, bargains.

LIGHT DIMMERS. On standard plate to put directly in place of flush switch. Available in colours, green, red, blue and yellow. £2.50. Order Ref: 2.5P9.

45A DOUBLE POLE MAINS SWITCH. Mounted on a 6" x 3 1/2" aluminium plate, beautifully finished in gold, with pilot light. Top quality, made by MEM. £2. Order Ref: 2P316.

TOUCH DIMMERS. 40W-250W, no knob to turn, just finger on front plate, will give more, or less light, or off. Silver plate on white background, right side to replace normal switch. £5. Order Ref: 5P230.

DON'T STAND OUT IN THE COLD. Our 12m telephone extension lead has a flat BT socket one end and flat BT plug other end. £2. Order Ref: 2P338.

20W 50 4 OHM SPEAKER. £3. Order Ref: 3P145. Matching 4 ohm 20W tweeter on separate baffle, £1.50. Order Ref: 1.5P9.

LCD 3 1/2" DIGIT PANEL METER

This is a multi-range voltmeter/ammeter using the A-D converter chip 7106 to provide 5 ranges each of volts and amps. Supplied with full data sheet. Special snip price of £12. Order Ref: 12P19.

TELEPHONE EXTENSION WIRE. 4 core correctly colour coded, intended for permanent extensions, 25m coil. £2. Order Ref: 2P339.

PHILIPS 9" HIGH RESOLUTION MONITOR. Black and white in metal frame for easy mounting. Brand new, still in maker's packing, offered at less than price of tube alone. Only £15. Order Ref: 15P1.

HIGH CURRENT AC MAINS RELAY. This has a 230V coil and change-over switch rated at 15A with PCB mounting with clear plastic cover. £1. Order Ref: 965.

ULTRA THIN DRILLS. Actually 0.3mm. To buy these regular costs a fortune. However, these are packed in half dozens and the price to you is £1 per pack. Order Ref: 797B.

YOU CAN STAND ON IT! Made to house GPO telephone equipment, this box is extremely tough and would be ideal for keeping your small tools in, internal size approx. 10 1/2" x 4 1/2" x 6" high. Complete with carrying strap, price £2. Order Ref: 2P283B.

ULTRA SONIC TRANSDUCERS. Two metal cased units, one transmits, one receives. Built to operate around 40kHz. Price £1.50 the pair. Order Ref: 1.5P4.

POWER SUPPLY WITH EXTRAS. Mains input is fused and filtered and the 12V DC output is voltage regulated, intended for high class equipment, this is mounted on a PCB and also mounted on the board but easily removed, are two 12V relays and Piezo sounder. Price £3. Order Ref: 3P80B.

MAINS ISOLATION TRANSFORMER. Stops you getting "to earth" shocks, 230V in and 230V out, 150W, £7.50. Order Ref: 7.5P5, and a 250W version is £10. Order Ref: 10P97.

MAINS 230V FAN. Best make "PAPST", 4 1/2" square, metal blades. £8. Order Ref: 8P8.

2MW LASER. Helium neon by Philips, full spec. £30. Order Ref: 30P1. Power supply for this in kit form with case is £15. Order Ref: 15P16, or in larger case to house tube as well. £18. Order Ref: 18P2. The larger unit, made up, tested and ready to use, complete with laser tube, £69. Order Ref: 69P1.

AIR SPACED TRIMMER CAPS. 2-20pf, ideal for precision tuning UHF circuits, 4 for £1. Order Ref: 818B.

MODEM AMSTRAD FM240. As new condition but customer return so you may need to fault find. £6. Order Ref: 6P34.

AMSTRAD POWER UNIT. 13.5V at 1.9A or 12V at 2A enclosed and with leads and output plug, normal mains input. £6. Order Ref: 6P23.

80W MAINS TRANSFORMER. Two available, good quality, both with normal primaries and upright mounting, one is 20V 4A. Order Ref: 3P106, the other 40V 2A. Order Ref: 3P107.

PROJECT BOX. Size approx. 8 x 4 x 4 1/2" metal, sprayed grey, four ends for ventilation otherwise undrilled. Made for GPO so best quality, only £3 each. Order Ref: 3P74.

SENTINEL COMPONENT BOARD. Amongst hundred of other parts, this has 15 i.c.s, all plug in so do not need soldering. Cost well over £100, yours for £4. Order Ref: 4P67.

SINCLAIR 9V 2IA POWER SUPPLY. Made to operate the 138K Spectrum Plus 2, cased with input and output leads. Originally listed at around £15, are brand new, our price is only £3. Order Ref: 3P151.

15W 8 OHM 8" SPEAKER & 3" TWEETER. Made for a discontinued high quality music centre, gives real hi-fi and only £4 per pair. Order Ref: 4P57.

WATER PUMP. Very powerful, mains operated, £10. Order Ref: 10P74.

0-1mA FULL VISION PANEL METER. 2 3/4" square, scaled 0-100 but scale easily removed for re-writing. £1 each. Order Ref: 756.

AMSTRAD KEYBOARD MODEL KB. This is a most comprehensive keyboard, having over 100 keys including, of course, full numerical and qwerty. Brand new, still in maker's packing. Order Ref: 5P202.

1 RPM MOTOR. This is only 2W so will not cost much to run. Speed is ideal for revolving mirrors or lights. £2. Order Ref: 2P328.

UNUSUAL SOLENOID. Solenoids normally have to be energised to pull in and hold the core, this is a disadvantage where the appliance is left on for most of the time. We now have magnetic solenoids which hold the core until a voltage is applied to release it. £2. Order Ref: 2P327.

MAINS FILTER. Resin impregnated nicely cased, p.c.b. mounting, £2. Order Ref: 2P315.

£1 BARGAIN PACKS - List 2

This is the £1 Bargain Packs List 2 - watch out for lists 3 and 4 next month.

- 3 x Battery Model Motors, tiny, medium and large. Order Ref: 35.
- 2 x Tuning Capacitors for medium wave radios. Order Ref: 36.
- Miniature 12V Relay with low current consuming coil, 2 x 3A changeover contacts. Order Ref: 51.
- 2 x Ferrite Slab Aerials with medium wave coils. Ideal for building small radio. Order Ref: 61.
- 2 x 25W 8 OHM Variable Resistors. Ideal for loudspeaker volume control. Order Ref: 69.
- 2 x Wirewound Variable Resistors in any of the following values, 18, 35, 50, 100 ohms, your choice. Order Ref: 71.
- 4 x 30A Procelain Fuse Holders. Make your own fuse board. Order Ref: 82.
- 2 x 6 1/2" Metal Fan Blades for 5/16" shaft. Order Ref: 86/6 1/2.
- Mains Motor to suit the 6 1/2" blades. Order Ref: 88.
- 1 x 4.5V 150mA DC Power Supply. Fully enclosed so quite safe. Order Ref: 104.
- 10 each red and black small size Crocodile Clips. Order Ref: 116.
- 15m Twin Wire, screened. Order Ref: 122A.
- 100 Plastic Headed Cable Clips, nail in type, several sizes. Order Ref: 123.
- 4 x MES Batten Holders. Order Ref: 126.
- Complete Pocket Size MW Radio, believed OK but not tested. Order Ref: 133R.
- 4 x 2 Circuit Micro Switches (Licon) Order Ref: 157.
- 1 x 13A Switch Socket, quite standard but coloured. Order Ref: 164.
- 1 x 30A Panel Mounting Toggle Switch, double-pole. Order Ref: 166.
- 2 x Neon Numicator Tubes. Order Ref: 170.
- 100 x 3/8 Rubber Grommets. Order Ref: 181.
- 6 x BC Lamp Holder Adaptors. Order Ref: 191.
- 8 x Superior Type Push Switches. Make your own keyboard. Order Ref: 201.
- Mains Transformer 8V-0V-8V 1/2 A. Order Ref: 212.
- 2 x Sub Min Toggle Switches. Order Ref: 214.
- High Power 3" Speaker (11W 8ohm) Order Ref: 246.
- Medium Wave Permeability Tuner. Its almost a complete radio with circuit. Order Ref: 247.
- 6 x Screwdown Terminals with through panel insulators. Order Ref: 264.
- LCD Clock Display, 1/2" figures. Order Ref: 329.
- 10 x Push-On Long Shafted Knobs for 1/4" spindle. Order Ref: 339.
- 2 x ex-GPO Speaker Inserts, ref 4T. Order Ref: 352.
- 100 x Sub Min 1F Transformers. Just right if you want coil formers. Order Ref: 360.
- 1 x 24V 200mA PSU. Order Ref: 393.
- 1 x Heating Element, mains voltage 100W, brass cased. Order Ref: 8.
- 1 x Mains Interference Suppressor. Order Ref: 21.
- 3 x Rocker Switches, 13A mains voltage. Order Ref: 41.
- 1 x Mini Uni-Selector with diagram for electronic jig-saw. Order Ref: 56.
- 2 x Appliance Thermostats, adjustable up to 15A. Order Ref: 65.
- 1 x Mains Motor with gearbox giving 1 rev per 24 hrs. Order Ref: 89.
- 10 x Round Pointer Knobs for flatted 1/4" spindles. Order Ref: 295.
- 1 x Ceramic Wave Change Switch, 12-pole, 3-way with 1/4" spindle. Order Ref: 303.
- 1 x Tubular Hand Mike, suits cassette recorders, etc. Order Ref: 305.
- 2 x Plastic Stethosets, take crystal or magnetic inserts. Order Ref: 331.
- 20 x Pre-set Resistors, various types and values. Order Ref: 332.
- 6 x Car Type Rocker Switches, assorted. Order Ref: 333.
- 10 x Long Shafted Knobs for 1/4" flatted spindles. Order Ref: 339.
- 1 x Reversing Switch, 20A double-pole or 40A single-pole. Order Ref: 343.
- 4 x Skirted Control Knobs, engraved 0-10. Order Ref: 355.
- 3 x Luminous Rocker Switches. Order Ref: 373.
- 2 x 1000W Tubular Heating Elements with terminal ends. Order Ref: 376.
- 1 x Mains Transformer Operated NiCad Charger, cased with leads. Order Ref: 385.
- 2 x Clockwork Motors, run for one hour. Order Ref: 389.

Prices include VAT. Send cheque/postal order or ring and quote credit card number. Add £3 post and packing. Orders over £25 post free.

M & B ELECTRICAL SUPPLIES LTD

**Pilgrim Works (Dept. E.E.)
Stairbridge Lane, Bolney,
Sussex RH17 5PA**

Telephone: 0444 881965

**(Also fax but phone first)
Callers to 12 Boundary Road,
Hove, Sussex.**

Take the

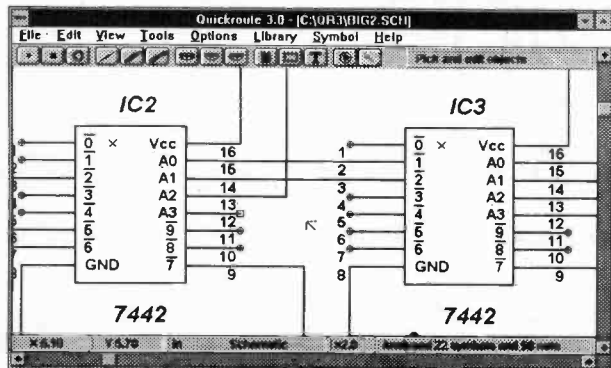
Quickroute

from
£99.00

to successful PCB &
Schematic Design



Design PCBs and Schematics quickly

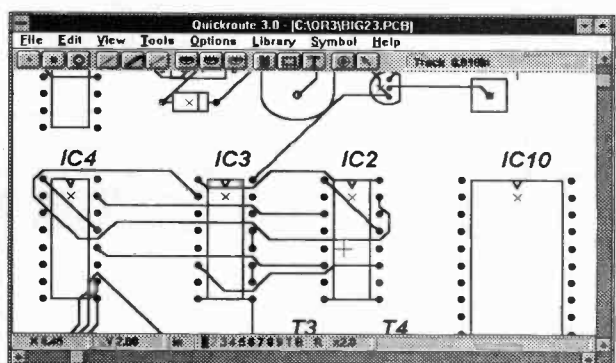
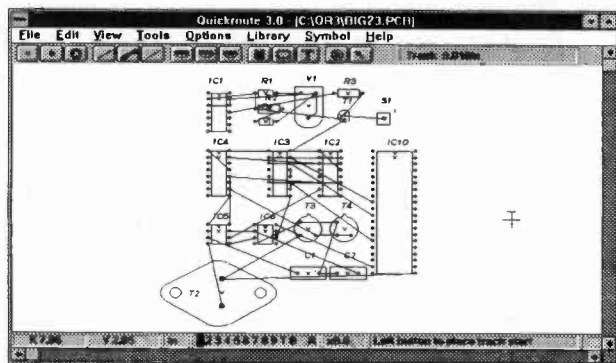


Design Size
K nodes
Gerber &
NC-Drill
Schematic
Capture
Auto Router
Max Layers

	Auto Router Max Layers	Schematic Capture	Gerber & NC-Drill	Design Size K nodes
DESIGNER	2 Standard	None	None	10
DESIGNER+	2 Medium	None	Export	20
PRO	8 Fast	Standard	Export	30
PRO+	8 Fast	Advanced	Export/ Import*	40

*PRO+ can import Gerber files

After schematic capture, components can be re-arranged prior to manual or automatic routing.



All versions include an auto-router.

Telephone or FAX POWERware on 061 449 7101

POWERware, 14 Ley Lane,
Marple Bridge, Stockport,
SK6 5DD, UK.

Quickroute 3.0 for Windows 3.1
DESIGNER £99.00 DESIGNER+ £149.00
PRO £199.00 PRO+ £299.00
All prices exclude post & packing, and V.A.T.

DEMO
DISK
Available

LOOKING FOR...

**ICs ★
TRANSISTORS ★ SEMIS?**
especially those hard to find?
Why not give us a buzz?

WE STOCK A MASSIVE RANGE

We specialise in devices with the following prefix
(to name but a few):

**2N 2SA 2SB 2SC 2SD 2SJ 2SK AN BA BC BD BDT BF
BFR BFY BFX BU BUK BUT BUY BUW BUZ CA DTA
HA IRFLA LB LC LFLM M MC MJ MJE MM MPS
MPSA MPSU NE RC SAA SAB SDA SI SL SN STA
STK STR TA TBA TC TDA TIP TEA TL UAA ULN UPC
XR ZN ZTX ... plus daily arrival of new numbers.**

ALSO

**RESISTORS ★ CAPACITORS ★ CHOKES ★ CABLES
LEADS ★ CONNECTORS ★ VIDEO HEADS ★ DRIVE BELTS
SWITCHES ★ TTL ★ CMOS ★ OP AMPS ★ VOLTAGE REGS
SPECIAL FUNCTION ★ TRANSFORMERS ETC ETC ETC**

**WE SPECIALISE IN PHONE & FAX MAIL ORDERS
BY CREDIT CARD**



Callers & Mail orders welcome



CRICKLEWOOD ELECTRONICS

40 CRICKLEWOOD BROADWAY, LONDON NW2 3ET
TEL: 081 452 0161 & 081 450 0995 FAX: 081 208 1441

!!! CATALOGUE DUE OUT AUTUMN 1994 !!!

SHERWOOD ELECTRONICS

7 Williamson Street, Mansfield, Notts. NG19 6TD

SPECIAL OFFER - choose 2 x £1 packs **FREE** with every 12 purchased

SP1	15 x 5mm Red Leds	SP37	15 x 100/35V radial elect caps
SP2	15 x 5mm Green Leds	SP42	200 x Mixed 0.25W C.F. resistors
SP3	12 x 5mm Yellow Leds	SP47	5 x Min. push button switches
SP4	10 x 5mm Amber Leds	SP102	20 x 8 pin DIL sockets
SP10	100 x 1N4148 diodes	SP103	15 x 14 pin DIL sockets
SP11	30 x 1N4001 diodes	SP104	15 x 16 pin DIL sockets
SP12	30 x 1N4002 diodes	SP112	5 x Cmos 4093
SP18	20 x BC182 transistors	SP125	10 x 1000/16V radial elect caps
SP19	20 x BC183 transistors	SP130	100 x Mixed 0.5W C.F. resistors
SP20	20 x BC184 transistors	SP133	20 x 1N4004 diodes
SP22	20 x BC214 transistors	SP134	15 x 1N4007 diodes
SP23	20 x BC549 transistors	SP137	4 x W005 1.5A bridge rectifiers
SP24	5 x Cmos 4001	SP138	20 x 2.2/50V radial elect caps
SP28	5 x Cmos 4011	SP142	2 x Cmos 4017
SP29	4 x Cmos 4013	SP147	5 x Stripboard 9 strips x 25 holes
SP36	25 x 10/25V radial elect caps	SP165	2 x LF351 Op-amps

RESISTOR PACKS - 0.25W C.Film		
RP3	5 each value - total 365	£2.50
RP7	10 each value - total 730	£3.75
RP10	1000 popular values	£4.95

Catalogue available £1 or **FREE**
with first order over £5

Cheques or P.O. to **SHERWOOD ELECTRONICS** NO VAT
Please add £1.25 P&P to all orders

N. R. BARDWELL LTD (EPE)

200	Signal diodes 1N4148	£1.00	200	Asstd. disc ceramic capacitors	£1.00
75	Rectifier Diodes 1N4001	£1.00	80	Asstd. electrolytic capacitors	£1.00
50	Rectifier Diodes 1N4007	£1.00	80	1UF 16V Radial electrolytics	£1.00
25	Rectifier Diodes 1N5401	£1.00	80	4.7UF 16V Radial electrolytics	£1.00
10	Asstd. Zeners	£1.00	75	4.7UF 63V Radial electrolytics	£1.00
10	NE555 Timer ICs	£1.00	80	10UF 16V Radial electrolytics	£1.00
30	BC478 Transistors	£1.00	50	10UF 50V Radial electrolytics	£1.00
30	BC547 Transistors	£1.00	40	22UF 25V Radial electrolytics	£1.00
30	BC568 Transistors	£1.00	60	33UF 16V Radial electrolytics	£1.00
30	MPSA92 Transistors	£1.00	80	100UF 10V Radial electrolytics	£1.00
30	5mm red I.e.d.s	£1.00	50	220UF 16V Radial electrolytics	£1.00
25	Asstd. high brightness I.e.d.s	£1.00	60	470UF 10V Radial electrolytics	£1.00
24	Miniature red I.e.d.s 3mm dia	£1.00	20	1000UF 10V Axial electrolytics	£1.00
50	Axial I.e.d.s (Diode package) wide angle I.e.d.s	£1.00	12	1000UF 25V Axial electrolytics	£1.00
12	Asstd. seven segment displays	£1.00	1	1 Farad 5.5V memory back up capacitor	£1.00
30	Asstd. IF transformers	£1.00	100	4N7 Mini Axial capacitors	60p
48	Asstd. coil formers	£1.00	100	5mm plastic I.e.d. holders (for tapered I.e.d.s)	£2.00
100	Asstd. RF chokes (inductors)	£1.00	1	10 watt Stereo amplifier. 4 controls plus data	£2.95
30	Asstd. connectors edge-dil-sil etc	£1.00			
10	4P 3W MBB min. rotary switches	£1.00			
20	1 inch Glass reed switches	£1.00			
20	Magnetic ear pips plus lead & plug	£1.00			
20	Min SP/CO slide switches	£1.00			
30	Asstd. d.i.l. sockets up to 40 pin	£1.00			
20	24-way turned pin IC sockets	£1.00			
24	24 pin d.i.l. wire wrap IC sockets	£1.00			
2	ORP12 light dependant resistors	£1.00			

Prices include VAT, postage £1.25. Stamp for Lists
288 Abbeydale Road, Sheffield S7 1FL
Phone (0742) 552886 Fax (0742) 500689

SYSTEM 200 DEVICE PROGRAMMER

SYSTEM: Programs 24, 28, 32 pin EPROMS, EE-PROMS, FLASH and Emulators as standard, quickly, reliably and at low cost.

Expandable to cover virtually any programmable part including serial E², PALS, GALS, EPLD's and microcontrollers from all manufacturers.

DESIGN: Not a plug in card but connects to the PC serial or parallel port; it comes complete with powerful yet easy to control software, cable and manual.

SUPPORT: UK design, manufacture and support. Same day dispatch, 12 month warranty. 10 day money back guarantee.



**ASK FOR FREE
INFORMATION
PACK**

mqp



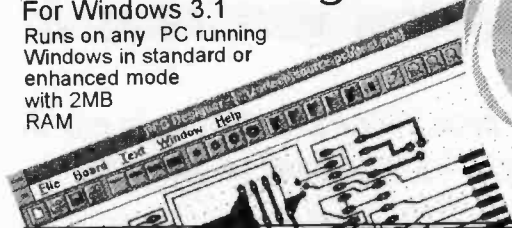
MQP ELECTRONICS Ltd.
Unit 2, Park Road Centre,
Malmesbury, Wiltshire, SN16 0BX UK
TEL. 0666 825146 FAX. 0666 825141

GERMANY 089/4602071
NORWAY 0702-17890
ITALY 02 92 10 3554
FRANCE (1)69.41.28.01
IRELAND 1-2800395
SWEDEN 08-590-32185
Also from ELECTROSPEED UK

PCB Designer

For Windows 3.1
Runs on any PC running
Windows in standard or
enhanced mode
with 2MB
RAM

Only
£49
All
Inclusive



- ✓ Produce *Single* or *Double* sided PCBs.
- ✓ Print out to *any Windows supported* printer.
- ✓ *Toolbar* for rapid access to commonly used components.
- ✓ Helpful prompts on screen as you work.
- ✓ Pads sizes fully customisable.
- ✓ No charges for technical support.
- ✓ Snap-to grid sizes 0.1", 0.05" 0.025" and unrestricted.
- ✓ SMT pads and other pad shapes.
- ✓ Positive reviews by Robert Penfold and Paul Stenning, copies available on request.

Phone (0432) 355 414 (Access and Visa welcome)

Niche Software

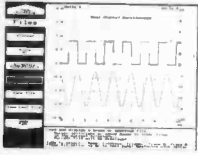
22 Tavistock Drive, Belmont, Hereford, HR2 7XN.

Please Note: Since PCB designer is so easy to use, and to keep costs down, PCB Designer has an On-Line manual, in Windows Help format. A FREE tutorial is also supplied.

Low cost data acquisition for IBM PCs & compatibles

Easy to use data acquisition products that allow your PC to be used as a range of useful test and measurement instruments, or as an advanced data logger. Installed in seconds they simply plug into the parallel port (except the ADC-16 which connects to the serial port). They require no power supply and take up no expansion slots. Each comes with a comprehensive manual. Software drivers are included for users who wish to write their own software. Software supplied on 3.5" disk.

PicoScope



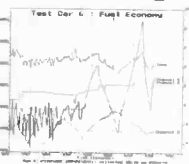
'Virtual instrument' software. Storage scope with trigger, timebase, rulers and offset. Real time spectrum analysis with min/max frequency and signal averaging. Multiple meters on screen (digital and bargraph). Printer and file handling support.



ADC-10/12

Single channel of analog input
8 bit resolution 22kHz sampling (ADC-10)
12 bit resolution 18kHz sampling (ADC-12)
(sampling speed based on 33MHz/386PC)
0-5V input range
BNC input allows use of scope probes

PicoLog



Advanced data logging software package. Collect, store, display and print data from 1 sample per ms to 1 per day. Record average, min/max or scaled values (linear, equation, table look-up). Report types: monitor (with min/max alarms), y-t graphs, x-y graphs, tabulation

NEW ADC100 Virtual Instrument Dual Channel 12-bit resolution



ADC-100

The ADC 100 offers both a high sampling rate (100kHz) and a high resolution. It is ideal as a general purpose test instrument either in the lab or in the field. A flexible input range ($\pm 200\text{mV}$ to $\pm 20\text{V}$) allows the unit to connect directly to a wide variety of signals.

- Digital Storage Scope
 - Chart Recorder
 - Spectrum Analyser
 - Data Logger
 - Frequency Meter
 - Voltmeter
- ADC-100 with PicoScope £199
ADC-100 with PicoScope & PicoLog £209

Prices

ADC-10 with PicoScope £49
ADC-11 with PicoScope £85
ADC-12 with PicoScope £85
ADC-16 with PicoLog £115

The ADC-10/11/12 are available with both PicoScope and PicoLog for an additional £10. Existing ADC-10/11/12 users can add PicoLog for £25.



Pico Technology Ltd. Broadway House, 149-151 St Neots Road, Hardwick, Cambridge CB3 7QJ, UK

TEL: 0954-211716 FAX: 0954-211880



Phone or FAX for sales, ordering information, data sheets, technical support. All prices exclusive of VAT.

PICO TECHNOLOGY

SEETRAX CAE - RANGER - PCB DESIGN

Ranger1 £100

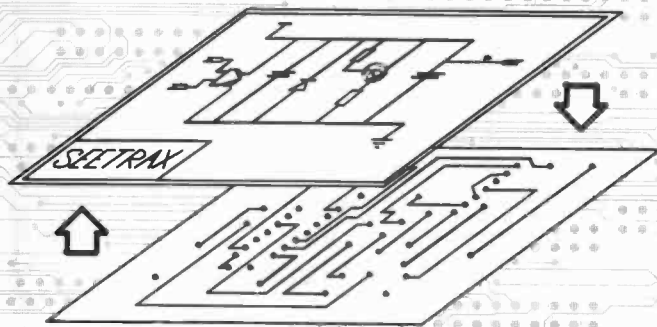
- * Schematic capture linked to PCB
- * Parts and wiring list entry
- * Outline (footprint) library editor
- * Manual board layout
- * Full design rule checker
- * Back annotation (linked to schematic)
- * Power, m... and signal autorouter - £50

Ranger2 £599

- All the features of Ranger1 plus
- * Gate & pin swapping (linked to schematic)
 - * Track highlighting
 - * Auto track necking
 - * Copper flood fill
 - * Power planes (heat-relief & anti-pads)
 - * Rip-up & retry autorouter

Ranger3 £3500

- All the features of Ranger2 plus
- * UNIX or DOS versions
 - * 1 Micron resolution and angles to 1/10th degree
 - * Hierarchical or flat schematic
 - * Unlimited design size
 - * Any-shaped pad
 - * Split power planes
 - * Optional on-line DRC
 - * 100% rip-up & retry, push & shove autorouter



All systems upward compatible. Trade-in deals available.

Call Seetrax CAE for further information demo packs.

Tel 0705 591037

Fax 0705 599036

Seetrax CAE, Hinton Daubnay House, Broadway Lane, Lovedean, Hampshire, PO8 0SG

All trademarks acknowledged.

Outputs to:

- * 8/9 and 24 pin dot-matrix printers
- * HP Desk/LaserJet, Canon BJet, Postscript (R3 only)
- * HP-GL, Houston Instruments plotters
- * Gerber photoplotters
- * NC Drill Excellon, Sieb & Meyer
- * AutoCAD DXF

SURVEILLANCE PROFESSIONAL QUALITY KITS

No. 1 for Kits

Whether your requirement for surveillance equipment is amateur, professional or you are just fascinated by this unique area of electronics SUMA DESIGNS has a kit to fit the bill. We have been designing electronic surveillance equipment for over 12 years and you can be sure that all our kits are very well tried, tested and proven and come complete with full instructions, circuit diagrams, assembly details and all high quality components including fibreglass PCB. Unless otherwise stated all transmitters are tuneable and can be received on an ordinary VHF FM radio.

Genuine SUMA kits available only direct from Suma Designs. Beware inferior imitations!

UTX Ultra-miniature Room Transmitter

Smallest room transmitter kit in the world! Incredible 10mm x 20mm including mic. 3-12V operation. 500m range.....£16.45

MTX Micro-miniature Room Transmitter

Best-selling micro-miniature Room Transmitter

Just 17mm x 17mm including mic. 3-12V operation. 1000m range.....£13.45

STX High-performance Room Transmitter

Hi performance transmitter with a buffered output stage for greater stability and range. Measures 22mm x 22mm including mic. 6-12V operation, 1500m range.....£15.45

VT500 High-power Room Transmitter

Powerful 250mW output providing excellent range and performance. Size 20mm x 40mm. 9-12V operation. 3000m range.....£16.45

VXT Voice Activated Transmitter

Triggers only when sounds are detected. Very low standby current. Variable sensitivity and delay with LED indicator. Size 20mm x 67mm. 9V operation. 1000m range...£19.45

HVX400 Mains Powered Room Transmitter

Connects directly to 240V AC supply for long-term monitoring. Size 30mm x 35mm. 500m range.....£19.45

SCRX Subcarrier Scrambled Room Transmitter

Scrambled output from this transmitter cannot be monitored without the SCDM decoder connected to the receiver. Size 20mm x 67mm. 9V operation. 1000m range.....£22.95

SCLX Subcarrier Telephone Transmitter

Connects to telephone line anywhere, requires no batteries. Output scrambled so requires SCDM decoder connected to receiver. Size 32mm x 37mm. 1000m range.....£23.95

SCDM Subcarrier Decoder Unit for SCRX

Connects to receiver earphone socket and provides decoded audio output to headphones. Size 32mm x 70mm. 9-12V operation.....£22.95

ATR2 Micro Size Telephone Recording Interface

Connects between telephone line (anywhere) and cassette recorder. Switches tape automatically as phone is used. All conversations recorded. Size 16mm x 32mm. Powered from line.....£13.45

UTLX Ultra-miniature Telephone Transmitter

Smallest telephone transmitter kit available. Incredible size of 10mm x 20mm!

Connects to line (anywhere) and switches on and off with phone use.

All conversation transmitted. Powered from line. 500m range.....£15.95

TLX700 Micro-miniature Telephone Transmitter

Best-selling telephone transmitter. Being 20mm x 20mm it is easier to assemble than

UTLX. Connects to line (anywhere) and switches on and off with phone use.

Powered from line. 1000m range.....£13.45

STLX High-performance Telephone Transmitter

High performance transmitter with buffered output stage providing excellent stability

and performance. Connects to line (anywhere) and switches on and off with phone use.

All conversations transmitted. Powered from line. Size 22mm x 22mm.

1500m range.....£16.45

TKX900 Signalling/Tracking Transmitter

Transmits a continuous stream of audio pulses with variable tone and rate. Ideal for

signalling or tracking purposes. High power output giving range up to 3000m. Size

25mm x 63mm. 9V operation.....£22.95

CD400 Pocket Bug Detector/Locator

LED and piezo bleeper pulse slowly, rate of pulse and pitch of tone increase as you

approach signal. Gain control allows pinpointing of source. Size 45mm x 54mm. 9V

operation.....£30.95

CD600 Professional Bug Detector/Locator

Multicolour readout of signal strength with variable rate bleeper and variable sensitivity

used to detect and locate hidden transmitters. Switch to AUDIO CONFORM mode to

distinguish between localised bug transmission and normal legitimate signals such as

paggers, cellular, taxis etc. Size 70mm x 100mm. 9V operation.....£50.95

QTX180 Crystal Controlled Room Transmitter

Narrow band FM transmitter for the ultimate in privacy. Operates on 180 MHz and

requires the use of a scanner receiver or our QRX180 kit (see catalogue). Size

20mm x 67mm. 9V operation. 1000m range.....£40.95

QLX180 Crystal Controlled Telephone Transmitter

As per QTX180 but connects to telephone line to monitor both sides of conversations.

Size 20mm x 67mm. 9V operation. 1000m range.....£40.95

QSX180 Line Powered Crystal Controlled Phone Transmitter

As per QLX180 but draws power requirements from line. No batteries required. Size

32mm x 37mm. Range 500m.....£35.95

QRX180 Crystal Controlled FM Receiver

For monitoring any of the 'Q' range transmitters. High sensitivity unit. All RF section

supplied as a pre-built and aligned module ready to connect on board so no difficulty

setting up. Output to headphones. 60mm x 75mm. 9V operation.....£60.95

A build-up service is available on all our kits if required.

UK customers please send cheques, POs or registered cash. Please add

£1.50 per order for P&P. Goods despatched ASAP allowing for cheque

clearance. Overseas customers send sterling bank draft and add £5.00 per

order for shipment. Credit card orders welcomed on 0827 714476.

OUR LATEST CATALOGUE CONTAINING MANY MORE NEW SURVEILLANCE KITS NOW AVAILABLE. SEND TWO FIRST CLASS STAMPS OR OVERSEAS SEND TWO IRCS.

★★★ Specials ★★★

DLTX/DLRX Radio Control Switch

Remote control anything around your home or garden, outside lights, alarms, paging

system etc. System consists of a small VHF transmitter with digital encoder and receiver

unit with decoder and relay output, momentary or alternate, 8-way dit switches on both

boards set your own unique security code. TX size 45mm x 45mm. RX size 35mm x

90mm. Both 9V operation. Range up to 200m.

Complete System (2 kits).....£50.95

Individual Transmitter DLTX.....£19.95

Individual Receiver DLRX.....£37.95

MBX-1 Hi-Fi Micro Broadcaster

Not technically a surveillance device but a great idea! Connects to the headphone output

of your Hi-Fi, tape or CD and transmits Hi-Fi quality to a nearby radio. Listen to your

favourite music anywhere around the house, garden, in the bath or in the garage and

you don't have to put up with the DJ's choice and boring waffle. Size 27mm x 60mm.

9V operation. 250m range.....£20.95

DEPT. EE

THE WORKSHOPS, 95 MAIN ROAD,

BAXTERLEY. NEAR ATHERSTONE,

WARWICKSHIRE CV9 2LE

VISITORS STRICTLY BY APPOINTMENT ONLY

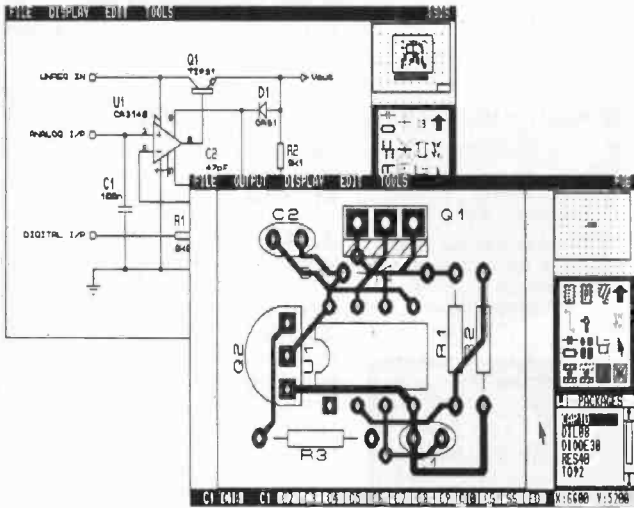
**SUMA
DESIGNS**



Tel/Fax:
0827 714476

POWERFUL SCHEMATIC CAPTURE, PCB DESIGN AND AUTOROUTING ALL FOR JUST £395...

PROPAK AR for DOS provides all the features you need to create complex PCB designs quickly and easily. Draw the circuit diagram using the powerful facilities of ISIS DESIGNER+ and then netlist into ARES AUTOROUTE for placement, autorouting and tidy up. Advanced real time design rule checks guarantee that the final PCB will correspond exactly with the schematic thus saving you from costly layout errors and time consuming debugging.



- Attractive, easy to use graphical interface.
- Object oriented schematic editor with automatic wire routing, dot placement and mouse driven place/edit/move/delete.
- Netlist generation for most popular CAD software.
- Bill of Materials and Electrical Rules Check reports.
- Two schemes for hierarchical design.
- Automatic component annotation and packaging.
- Comprehensive device libraries and package libraries including both through hole and SMT parts.
- User definable snap grids (imperial and metric) and Real Time Snap to deal with tricky SMT spacings.
- Manual route editing features include Auto Track Necking, Topological editing and Curved tracks.
- Autorouting for single, double and multi-layer boards.
- Non autorouting PROPAK is available for just £250 if you do not need or want the router.
- Full connectivity and design rule checking.
- Power plane generator with thermal relief necking.
- Graphics support to 800x600 Super VGA.
- Output to dot matrix and laser printers, HP and Houston plotters, Postscript devices, Gerber and Excellon NC machines plus DXF and other DTP file formats.

CADPAK

Two Programs for the Price of One

ISIS SUPERSKETCH

A superb schematic drawing program for DOS offering Wire Autorouting, Auto Dot Placement, full component libraries, export to DTP and much more.

**Only
£79**

Exceptionally easy and quick to use. For example, you can place a wire with just two mouse clicks - the wire autorouter does the rest.

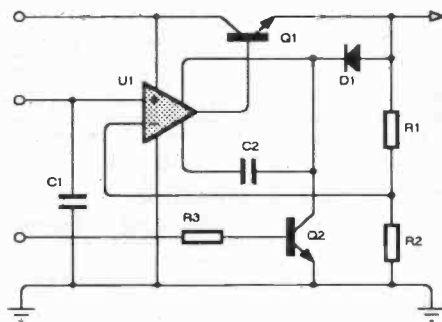
PCB II

High performance yet easy to use manual PCB layout package. Many advanced features including curved tracks, auto track necking, DXF export, Gerber and NC file generation, Gerber viewing and more.

Alan Chadwick writing in ETI (January 94) concluded... "At £79 I thought this was an excellent buy."

ISIS ILLUSTRATOR

Schematic Drawing for Windows



**From
£99**

Running under Windows 3.1, ISIS ILLUSTRATOR lets you create presentation quality schematic drawings like you see in the magazines. Furthermore, when the drawing is done, transferring it to another document is just a matter of pasting it through the Clipboard.

Now used by a number of prominent technical authors to illustrate their latest books and magazine articles.

labcenter
E l e c t r o n i c s



Call us today on 0756 753440 or fax 0756 752857 for a demo pack - state DOS or Windows. Multi-copy and educational discounts available.

WE HAVE MOVED - NOTE NEW ADDRESS

Prices exclude p&p (£5 for U.K.) and VAT. All manufacturers' trademarks acknowledged.

53-55 Main St, Grassington, North Yorks. BD23 5AA.

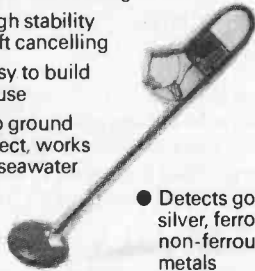


SHOP OPEN 9-5 MON-FRI. CLOSED SAT --- OFFICIAL ORDERS WELCOME

EPE MICROCONTROLLER P.I. TREASURE HUNTER

The latest MAGENTA DESIGN - highly stable & sensitive - with μ C control of all timing functions and advanced pulse separation techniques.

- New circuit design 1994
- High stability drift cancelling
- Easy to build & use
- No ground effect, works in seawater



- Detects gold, silver, ferrous & non-ferrous metals

- Efficient quartz controlled microcontroller pulse generation.
- Full kit with headphones & all hardware

KIT 847.....£63.95

DIGITAL LCD THERMOSTAT

A versatile thermostat using a thermistor probe and having an l.c.d. display. MIN/MAX memories, -10 to 110 degrees celsius, or can be set to read in Fahrenheit. Individually settable upper and lower switching temperatures allow close control, or alternatively allow a wide 'dead band' to be set which can result in substantial energy savings when used with domestic hot water systems. Ideal for greenhouse ventilation or heating control, aquaria, home brewing, etc. Mains powered, 10A SPCO relay output. Punched and printed case.

KIT 841.....£29.95

PORTABLE ULTRASONIC Pest SCARER

A powerful 23kHz ultrasound generator in a compact hand-held case. MOSFET output drives a special sealed transducer with intense pulses via a special tuned transformer. Sweeping frequency output is designed to give maximum output without any special setting up.

KIT 842.....£22.56

DIGITAL CAPACITANCE METER

A really professional looking project. Kit is supplied with a punched and printed front panel, case, p.c.b. and all components. Quartz controlled accuracy of 1%. Large clear 5 digit display and high speed operation. Ideal for beginners - as the μ F, nF and pF ranges give clear unambiguous read out of marked and unmarked capacitors from a few pF up to thousands of μ F.

KIT 493.....£39.95

ACOUSTIC PROBE

A very popular project which picks up vibrations by means of a contact probe and passes them on to a pair of headphones or an amplifier. Sounds from engines, watches, and speech travelling through walls can be amplified and heard clearly. Useful for mechanics, instrument engineers, and nosy parkers!

KIT 740.....£19.98



1000V & 500V INSULATION TESTER

Superb new design. Regulated output, efficient circuit. Dual-scale meter, compact case. Reads up to 200 Megohms. Kit includes wound coil, cut-out case, meter scale, PCB & ALL components.

KIT 848.....£32.95

MOSFET MKII VARIABLE BENCH POWER SUPPLY 0-25V 2-5A.

Based on our MkI design and preserving all the features, but now with switching pre-regulator for much higher efficiency. Panel meters indicate Volts and Amps. Fully variable down to zero. Toroidal mains transformer. Kit includes punched and printed case and all parts. As featured in April 1994 EPE. An essential piece of equipment.

KIT 845.....£64.95



ULTRASONIC Pest SCARER

Keep pets/pests away from newly sown areas, fruit, vegetable and flower beds, children's play areas, patios etc. This project produces intense pulses of ultrasound which deter visiting animals.

- KIT INCLUDES ALL COMPONENTS, PCB & CASE
- EFFICIENT 100V TRANSDUCER OUTPUT
- COMPLETELY INAUDIBLE TO HUMANS
- UP TO 4 METRES RANGE
- LOW CURRENT DRAIN

KIT Ref. 812.....£14.81

'COMSTEP' P.C. COMPUTER STEPPING MOTOR INTERFACE

An exciting project supplied with two 200 step motors, interface board, and easy to use P.C. software. Allows independent control of both motors - speed, direction, number of steps, and half/full step mode. Connects to computer parallel port. Requires 12V 1A D.C. supply and printer lead.

KIT 846 (with 2 motors)£62.99 (Printer lead £5.00)

IONISER

A highly efficient mains powered Negative Ion Generator that clears the air by neutralising excess positive ions. Many claimed health benefits due to the ioniser removing dust and pollen from the air and clearing smoke particles. Costs virtually nothing to run and is completely safe in operation. Uses five point emitters.

KIT 707.....£17.75

BAT DETECTOR

An excellent circuit which reduces ultrasound frequencies between 20 and 100 kHz to the normal (human) audible range. Operating rather like a radio receiver the circuit allows the listener to tune-in to the ultrasonic frequencies of interest. Listening to Bats is fascinating, and it is possible to identify various different types using this project. Other uses have been found in industry for vibration monitoring etc.

KIT 814.....£21.44

12V EPROM ERASER

A safe low cost eraser for up to 4 EPROMS at a time in less than 20 minutes. Operates from a 12V supply (400mA). Used extensively for mobile work - updating equipment in the field etc. Also in educational situations where mains supplies are not allowed. Safety interlock prevents contact with UV.

KIT 790.....£28.51

MOSFET 25V 2.5A POWER SUPPLY

High performance design has made this one of our classic kits. Two panel meters indicate Volts and Amps. Variable from 0-25 Volts and current limit control from 0-2.5A. Rugged power MOSFET output stage. Toroidal mains transformer.

KIT 769.....£56.82

INSULATION TESTER

A reliable and neat electronic tester which checks insulation resistance of wiring and appliances etc., at 500 Volts. The unit is battery powered, simple and safe to operate. Leakage resistance of up to 100 Megohms can be read easily. A very popular college project.

KIT 444.....£22.37

3 BAND SHORT WAVE RADIO

Covers 1.6 to 30MHz in three bands using modern miniature plug-in coils. Audio output is via a built-in loudspeaker. Advanced stable design gives excellent stability, sensitivity and selectivity. Simple to build battery powered circuit. Receives a vast number of stations at all times of the day.

KIT 718.....£30.30

DIGITAL COMBINATION LOCK

Digital lock with 12 key keypad. Entering a four digit code operates a 250V 16A relay. A special anti-tamper circuit permits the relay board to be mounted remotely. Ideal car immobiliser, operates from 12V. Drilled case, brushed aluminium keypad.

KIT 840.....£19.86

E.E. TREASURE HUNTER P.I. METAL DETECTOR MKI

Magenta's highly developed & acclaimed design. Quartz crystal controlled circuit MOSFET coil drive. D.C. coupled amplification. Full kit includes PCB, handle, case & search coil



- KIT INC. HEADPHONES
- EFFICIENT CMOS DESIGN
- POWERFUL COIL DRIVE

- DETECTS FERROUS AND NON-FERROUS METAL - GOLD, SILVER, COPPER ETC.
- 190mm SEARCH COIL
- NO 'GROUND EFFECT'

KIT 815.....£45.95

HAMEG HM303 30 MHz DUAL TRACE OSCILLOSCOPE & COMPONENT CHECKER

Western Europe's best selling oscilloscope - now improved. It now features 30MHz bandwidth, triggering to 100MHz and 2mV/div sensitivity.

Sharp bright display on 8 x 10cm screen with internal graticule. Special component tester built in - allows capacitors, resistors, transistors, diode, and many other components to be checked at a glance.

As with its predecessor, the QUALITY OF THIS INSTRUMENT IS OUTSTANDING. It is supported with a two year warranty covering parts and labour. If you are buying an oscilloscope, this is the one. It costs a fraction more than some others, but it is far far superior. Supplied with test probes, mains lead, and manual.

£392.00 + £68.60 VAT Includes FREE Next-day delivery (Cheques must be cleared)

EDUCATIONAL BOOKS & PACKS

ADVENTURES WITH ELECTRONICS

The classic book by Tom Duncan used throughout schools. Very well illustrated, ideal first book for age 10 on. No soldering. Uses an S.DEC breadboard.

Book & Components £28.95, Book only £7.25

FUN WITH ELECTRONICS

An Usborne book, wonderfully illustrated in colour. Component pack allows 6 projects to be built and kept. Soldering is necessary. Age 12 on, or younger with adult help. Book & Components £20.85, Book only £2.95

30 SOLDERLESS BREADBOARD PROJECTS

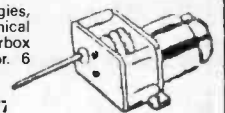
A more advanced book to follow the others. No soldering. Circuits cover a wide range of interests.

Book & Components £30.69, Book only £2.95

DC MOTOR/GEARBOXES

Ideal for robots, buggies, and many other mechanical projects. Min. plastic gearbox with 1.5-4.5V DC motor. 6 ratios can be set up.

Small type MGS...£4.71



STEPPING MOTORS

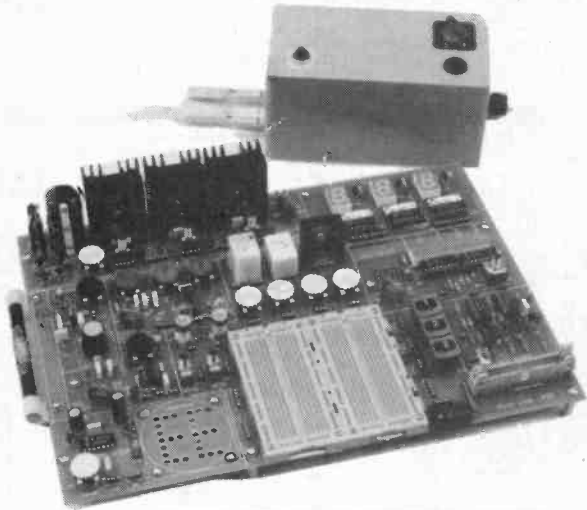
For computer control via standard 4 pole unipolar drivers.

MD38 - miniature 48 steps per rev.....£9.15

MD35 1/4 - standard 48 steps per rev.....£12.99

MAGENTA

Teach-In '93



MINI LAB KITS

ALL COMPONENTS TO ASSEMBLE
THE EPE MINI LAB.

Follow this exciting educational series as
featured in EPE through 1993.

Full set of reprints£4.60

Components are supplied in packs to keep
ordering simple.

A full MINI LAB consists of ML1, ML3, ML5,
ML6. These are available at a special
combined price of.....£114.99
or less the p.c.b.

ML2, ML3, ML5, ML6 at.....£104.99

The transformer unit ML4 is also needed....£21.45

- KIT ML1 MINI-LAB P.C.B. + all components
inclusive of breadboard for
Part 1 (Nov. '92).....£49.95
- KIT ML2 All Components for Part 1 less
p.c.b.....£39.95
- KIT ML3 Power Supply components.....£19.95
- KIT ML4 Transformer unit.....£21.45
- KIT ML5 L.E.D. Voltmeter, signal
generator, audio amplifier and
555 timer.....£33.95
- KIT ML6 Logic probe, display, radio
tuner.....£17.95

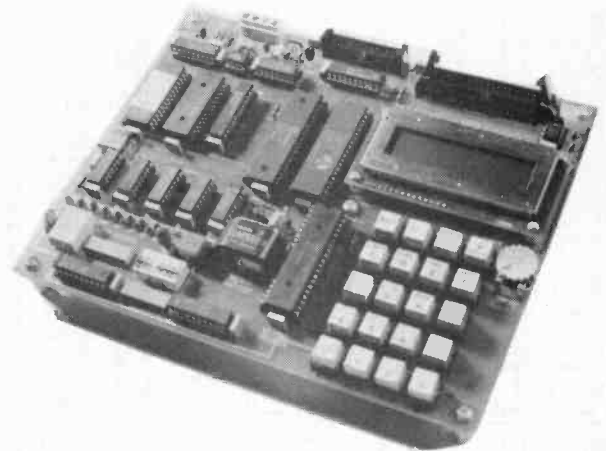
(Note: batteries not included)

All prices include V.A.T. Add £3.00 p&P.

Tel: 0283 565435 Fax: 0283 546932

MAGENTA

Teach-In '93



MICRO LAB KITS

ALL COMPONENTS TO ASSEMBLE
THE EPE MICRO LAB.

A 6502 Microprocessor trainer with many
features. Accompanied by an excellent set
of tutorial articles and a manual.

Repair/fault-finding help assured when you
buy your kit from us.

Full MICRO LAB kit including PC Board,
EPROM, PAL, & Manual.

MIC 1£149.95

(Also available less PCB etc. if required).

Full set of reprints.....£3.00

BUILT & TESTED

Full MICRO LAB AS MIC1 (above)
MIC1B.....£179.95

Professionally assembled, inspected,
cleaned and tested. Full back-up service,
spares, etc available.

All prices include V.A.T. Add £3.00 p&P.

Tel: 0283 565435 Fax: 0283 546932



ESR ELECTRONIC COMPONENTS

Station Road, Cullercoats,
Tyne & Wear NE30 4PQ
Tel. 091 251 4363 Fax. 091 252 2296

74LS-Series		4000 Series		TRANSISTORS				LINEAR ICs				EPROMS & RAMS		SOLDERING IRONS				RF CONNECTORS			
74LS00	£0.22	4000	£0.17	2N1613	£0.31	BC186	£0.33	BD534	£0.47	CA311E	£0.28	2716	£4.46	Antex Soldering Irons		BNC Solder Plug 50R	£0.93				
74LS01	£0.14	4001	£0.21	2N1711	£0.26	BC204C	£0.72	BD535	£0.50	CA324	£0.35	2732	£4.84	M 12 Watt	£8.18	BNC Solder Plug 75R	£0.96				
74LS02	£0.29	4002	£0.17	2N1893	£0.29	BC206B	£0.72	BD536	£0.65	CA355	£0.22	2764	£3.06	C 15Watt	£8.41	BNC Crimp Plug 50R	£0.68				
74LS03	£0.14	4006	£0.40	2N2218A	£0.28	BC207C	£0.72	BD646	£0.52	CA741CE	£0.28	27128-20	£3.69	G 18Watt	£8.41	BNC Crimp Plug 75R	£0.68				
74LS04	£0.14	4007	£0.18	2N2219A	£0.25	BC208	£0.72	BD648	£0.52	CA747CE	£0.39	2764-25	£3.36	CS 17Watt	£8.41	BNC Solder Skt	£1.08				
74LS05	£0.14	4008	£0.31	2N2222A	£0.18	BC209A	£0.72	BD650	£0.53	CA3046	£0.37	27128-20	£3.15	XS 25Watt	£8.41	BNC Solder Skt	£1.08				
74LS08	£0.23	4009	£0.19	2N2646	£0.80	BC212	£0.08	BD707	£0.42	CA3080	£0.72	27256-20	£4.21	ST4 Stand	£2.97	PL259 5.2mm	£0.68				
74LS09	£0.14	4010	£0.23	2N2904A	£0.26	BC212L	£0.08	BD807	£0.80	CA3130	£0.98	27256-20	£4.21	35Watt Gas Iron	£11.58	PL259 11mm	£0.62				
74LS10	£0.14	4011	£0.26	2N2905A	£0.23	BC212LB	£0.08	BDX32	£1.78	CA3130E	£0.98	27C512	£3.56	'Gasca' Gas Iron	£15.26	RND UHF socket	£0.68				
74LS107	£0.23	4012	£0.16	2N2907	£0.20	BC213	£0.08	BDX33C	£0.49	CA3140	£0.56	27C010	£8.98	Low Cost 15 Watt Iron	£3.93	SQR UHF socket	£0.45				
74LS109	£0.21	4013	£0.24	2N2926	£0.16	BC213LC	£0.08	BDX34C	£0.50	CA3240	£1.22	27C010	£8.98	Desolder Pump	£3.00	F Plug RG58	£0.30				
74LS11	£0.17	4014	£0.30	2N3053	£0.27	BC214	£0.08	BDX53C	£0.47	IC74621	£1.70	6116-10	£1.53	Antistatic Pump	£4.25	F Plug RG6	£0.27				
74LS112	£0.21	4015	£0.29	2N3054	£0.30	BC214L	£0.08	BDX54C	£0.50	ICM7565	£0.43	6264-10	£3.06	22SWG 0.5kg Solder	£7.40	F Plug RG8	£1.40				
74LS113	£0.21	4016	£0.18	2N3055	£0.62	BC237B	£0.09	BF180	£0.31	LM301A	£0.25	41256-10	£2.80	18SWG 0.5kg Solder	£6.60	N Socket RG8	£1.60				
74LS114	£0.21	4017	£0.35	2N3440	£0.50	BC238C	£0.09	BF182	£0.31	LM348N	£0.31	511000-8	£5.61	1mm 3 yds Solder	£0.62	N Socket RG8	£1.40				
74LS12	£0.14	4018	£0.27	2N3702	£0.09	BC239C	£0.10	BF185	£0.31	LM359N	£0.27	514256-8	£5.61	Desolder Bread	£0.87	BNC Crimp Pliers	£17.44				
74LS122	£0.31	4019	£0.19	2N3703	£0.10	BC251	£0.13	BF194	£0.19	LM377	£2.57										
74LS123	£0.31	4020	£0.31	2N3704	£0.10	BC252	£0.13	BF195	£0.19	LM380N	£1.12										
74LS125	£0.21	4021	£0.31	2N3705	£0.10	BC261B	£0.24	BF244	£0.35	LM381	£2.70										
74LS126	£0.21	4022	£0.32	2N3706	£0.10	BC262B	£0.24	BF257	£0.33	LM382	£0.48										
74LS13	£0.14	4023	£0.16	2N3771	£1.44	BC267B	£0.30	BF259	£0.33	LM383	£1.60										
74LS132	£0.21	4024	£0.21	2N3772	£1.51	BC307	£0.10	BF337	£0.36	LM387	£1.60										
74LS133	£0.36	4025	£0.15	2N3773	£1.79	BC308	£0.10	BF355	£0.38	LM392N	£0.79										
74LS136	£0.16	4026	£0.59	2N3819	£0.40	BC327	£0.10	BF423	£0.13	LM393N	£0.28										
74LS138	£0.24	4027	£0.18	2N3820	£0.66	BC328	£0.10	BF451	£0.19	LM398N	£0.27										
74LS139	£0.25	4028	£0.22	2N3905	£0.10	BC336	£0.10	BF469	£0.36	LM478CN	£0.31										
74LS14	£0.25	4029	£0.40	2N3906	£0.10	BC414C	£0.13	BFX29	£0.29	LM1458	£0.26										
74LS145	£0.56	4031	£0.70	2N4036	£0.31	BC441	£0.40	BFX84	£0.31	LM1900	£0.72										
74LS147	£1.26	4033	£0.56	2N5296	£0.57	BC461	£0.40	BFY85	£0.32	LM3914	£2.70										
74LS148	£0.70	4034	£1.24	2N5321	£0.57	BC463	£0.29	BFY90	£0.29	LM3915	£2.70										
74LS15	£0.14	4035	£0.31	2N6107	£0.60	BC478	£0.32	BFY51	£0.26	MC3340	£1.60										
74LS151	£0.25	4036	£0.29	AD127	£0.30	BC479	£0.32	BFY52	£0.28	MC4558	£0.36										
74LS153	£0.25	4040	£0.29	AD127	£0.30	BC490	£0.24	BS107	£0.21	NE561N	£0.36										
74LS154	£0.70	4042	£0.28	AD187	£0.45	BC517	£0.22	BS170	£0.21	NE567N	£0.47										
74LS155	£0.25	4043	£0.28	AD188	£0.37	BC527	£0.20	BU026	£1.70	NE567N	£0.47										
74LS156	£0.26	4044	£0.35	AD188	£0.37	BC527	£0.20	BU026	£1.70	NE567N	£0.47										
74LS157	£0.22	4046	£0.31	AD188	£0.37	BC527	£0.20	BU026	£1.70	NE567N	£0.47										
74LS158	£0.25	4047	£0.25	AD162	£0.92	BC546C	£0.08	BU208A	£1.24	TBA120S	£0.90										
74LS160	£0.48	4049	£0.22	AD162	£0.92	BC547C	£0.09	BU500	£1.54	TBA820M	£0.39										
74LS161	£0.32	4049	£0.22	BC107	£0.14	BC548C	£0.08	BU508A	£1.76	TDA2002	£1.04										
74LS162	£0.44	4050	£0.17	BC107B	£0.15	BC549C	£0.10	BU526	£2.24	TDA2030	£1.18										
74LS163	£0.32	4051	£0.43	BC108	£0.13	BC550C	£0.10	BU806	£1.36	TLO61	£0.35										
74LS164	£0.26	4052	£0.25	BC108A	£0.14	BC556A	£0.08	BUX84	£0.78	TLO62	£0.60										
74LS165	£0.48	4053	£0.40	BC108C	£0.16	BC557C	£0.08	IRF400	£1.80	TLO64	£0.72										
74LS170	£0.30	4054	£0.56	BC109	£0.17	BC558C	£0.08	IRF540	£1.60	TLO71CP	£0.32										
74LS173	£0.24	4055	£0.34	BC109C	£0.17	BC559C	£0.08	MJ11015	£2.11	TLO72CP	£0.68										
74LS174	£0.24	4060	£0.48	BC114	£0.41	BC560B	£0.09	MJ12016	£2.11	TLO74CN	£0.48										
74LS175	£0.24	4060	£0.48	BC115	£0.41	BC637	£0.21	MJ25051	£1.60	TLO81	£0.33										
74LS190	£0.25	4066	£0.24	BC116	£0.41	BC638	£0.21	MJ3001	£1.80	TLO82CP	£0.54										
74LS191	£0.24	4067	£1.96	BC116	£0.41	BC638	£0.21	MJ3001	£1.80	TLO82CP	£0.54										
74LS192	£0.24	4068	£0.16	BC132	£0.36	BC640	£0.21	MJE340	£0.40	TLO84CN	£0.46										
74LS193	£0.24	4069	£0.20	BC134	£0.36	BCY70	£0.21	MJE350	£0.42	UA733	£0.64										
74LS195	£0.24	4070	£0.17	BC135	£0.36	BCY71	£0.20	MPSA42	£1.17	ULN2003	£0.52										
74LS196	£0.24	4071	£0.22	BC140	£0.25	BCY72	£0.20	MPF475	£7.28	ULN2004	£0.48										
74LS197	£0.24	4072	£0.17	BC141	£0.27	BD135	£0.20	PI2121	£0.35	ZN4142	£1.16										
74LS200	£0.16	4073	£0.17	BC142	£0.31	BD136	£0.21	PI2121	£0.35	ZN4142	£1.16										
74LS21	£0.14	4075	£0.17	BC143	£0.34	BD137	£0.23	PI2122	£0.37	ZN427E	£8.82										
74LS22	£0.14	4076	£0.30	BC149	£0.21	BD138	£0.22	PI2123	£0.40	ZN428E	£6.12										
74LS221	£0.40	4077	£0.17	BC154	£0.36	BD139	£0.23	PI2132	£0.46	ZN435E	£6.19										
74LS240	£0.32	4081	£0.22	BC157	£0.12	BD140	£0.24	PI2137	£0.46	ZN448E	£7.50										
74LS241	£0.32	4082	£0.21	BC158	£0.12	BD150C	£0.82	PI2142	£1.08												
74LS242	£0.32	4085	£0.28	BC160	£0.28	BD165	£0.42	PI2147	£1.12												
74LS243	£0.30	4086	£0.26	BC170	£0.16	BD166	£0.35	TI2955	£0.63												
74LS244	£0.32	4089	£0.55	BC170B	£0.16	BD187	£0.39	TI2955	£0.63												
74LS245	£0.36	4093	£0.18	BC171	£0.11	BD201	£0.40	TI2955	£0.63												
74LS247	£0.32	4094	£0.31	BC171B	£0.16	BD202	£0.40	TI2955	£0.63												
74LS251	£0.24	4095	£0.56	BC172	£0.13	BD203	£0.40	TI301C	£0.34												
74LS252	£0.24	4097	£0.21	BC172B	£0.13	BD204	£0.40	TI301C	£0.34												
74LS257	£0.24	4098	£0.48	BC177	£0.18	BD222	£0.40	TI323C	£0.32												
74LS258	£0.24	4099	£0.38	BC178	£0.18	BD225	£0.42	TI333C	£0.72												
74LS26	£0.14	4502	£0.38	BC179	£0.17	BD232	£0.38	TI41A	£0.36												
74LS27	£0.14	4503	£0.40	BC182	£0.08	BD237	£0.32	TI42C	£0.48												
74LS273	£0.32	4508	£1.40	BC182L	£0.08	BD238	£0.32	TI48	£0.62												
74LS279	£0.25	4510	£0.26	BC183																	

EVERYDAY WITH PRACTICAL ELECTRONICS

INCORPORATING ELECTRONICS MONTHLY

VOL. 23 No. 11 NOVEMBER '94

INGENUITY . . .

The ingenuity of our readers and contributors is a never ending inspiration. Next month we will publish the *EPE Fruit Machine* which shows what can be achieved with a little ingenuity, simple mechanics and some careful software development for programmable logic. It is a tribute to the authors that this excellent project is relatively easy to build and great fun to play with. It's also a good way of saving money while enjoying yourself!

On the same subject you will notice that, with the brave assistance of Alan Winstanley, we have reintroduced one of the oldest features from *Practical Electronics* – *Ingenuity Unlimited* (IU) – this is a forum for reader's circuits (please note *not* mechanical, constructional or electrical tips). While these circuits have not been proven by us they will at least provide some food for thought and a basis for experiment.

If you have a circuit of your own design, that has not been published elsewhere, why not send it in for IU – it could earn you up to £50. Full details for sending in your ideas are given on the IU page.

. . . UNLIMITED

As I have indicated above, the range of projects we publish is virtually unlimited and this issue carries two projects that have been "in the pipeline" for some time. The *1000V/500V Insulation Tester* is a development of a design we published back in April 1985. A number of readers requested a unit that tested at a higher voltage level and this new project is the result.

The *Video Controller Modules* have also been under development for some time. We realised a couple of years ago that the need for this type of equipment was growing and we asked Robert Penfold if he could produce a range of low cost "mix and match" modules. This short series of projects is the result.

Two more excellent *EPE* projects which show the ingenuity of our contributors. There are plenty more in the pipeline for the months ahead.



SUBSCRIPTIONS

Annual subscriptions for delivery direct to any address in the UK: £24. Overseas: £30 (£47.50 air-mail). Cheques or bank drafts (in £ sterling only) payable to Everyday with Practical Electronics and sent to EPE Subscriptions Dept., Allen House, East Borough, Wimborne, Dorset BH21 1PF. Tel: 01202 881749. Subscriptions start with the next available issue. We accept Access (MasterCard) or Visa payments, minimum credit card order £5.

BACK ISSUES

Certain back issues of EVERYDAY ELECTRONICS, PRACTICAL ELECTRONICS and EVERYDAY with PRACTICAL ELECTRONICS (from Nov '92 onwards) are available price £2.30 (£3 overseas surface mail) inclusive of postage and packing per copy – £ sterling only please. Visa and Access (MasterCard) accepted, minimum credit card order £5. Enquiries with remittance, made payable to Everyday with Practical Electronics, should be sent to Post Sales Department, Everyday with Practical Electronics, Allen House, East Borough, Wimborne, Dorset BH21 1PF Tel: 01202 881749. In the event of non-availability one article can be photostatted for the same price. *Normally sent within seven days but please allow 28 days for delivery.* We have sold out of Jan, Feb, Mar, Apr, May, June, Oct, & Dec 88, Mar, May & Nov 89, Mar 90, April, Aug & Sept 91 Everyday Electronics, and can only supply back issues from Jan 92 to Aug 92 (excluding Mar 92) of Practical Electronics. Dec 92, Jan, Feb and March 93 Everyday with Practical Electronics are also unavailable.

BINDERS

New style binders to hold one volume (12 issues) are now available from the above address for £5.95 plus £3.50 post and packing (for overseas readers the postage is £6.00 to everywhere except Australia and Papua New Guinea which cost £10.50). *Normally sent within seven days but please allow 28 days for delivery.*

Payment in £ sterling only please. Visa and Access (MasterCard) accepted, minimum credit card order £5. Send or phone your card number and card expiry date with your name and address etc.

Editorial Offices:

EVERYDAY with PRACTICAL ELECTRONICS EDITORIAL, ALLEN HOUSE, EAST BOROUGH, WIMBORNE DORSET BH21 1PF

Phone: Wimborne (01202) 881749

Fax: (01202) 841692. DX: Wimborne 45314.

See notes on Readers' Enquiries below – we regret that lengthy technical enquiries cannot be answered over the telephone. Due to the cost we cannot reply to queries by Fax.

Advertisement Offices:

EVERYDAY with PRACTICAL ELECTRONICS ADVERTISEMENTS, HOLLAND WOOD HOUSE, CHURCH LANE, GREAT HOLLAND, ESSEX CO13 0JS.

Phone/Fax: (01255) 850596

Editor: MIKE KENWARD

Secretary: PAM BROWN

Deputy Editor: DAVID BARRINGTON

Technical Editor: JOHN BECKER

Business Manager: DAVID J. LEAVER

Subscriptions: MARILYN GOLDBERG

Editorial: Wimborne (01202) 881749

Advertisement Manager:

PETER J. MEW, Frinton (01255) 850596

Advertisement Copy Controller:

DEREK NEW, Wimborne (01202) 882299

READERS' ENQUIRIES

We are unable to offer any advice on the use, purchase, repair or modification of commercial equipment or the incorporation or modification of designs published in the magazine. We regret that we cannot provide data or answer queries on articles or projects that are more than five years old. Letters requiring a personal reply *must* be accompanied by a stamped self-addressed envelope or a self addressed envelope and international reply coupons. Due to the cost we cannot reply to queries by Fax.

All reasonable precautions are taken to ensure that the advice and data given to readers is reliable. We cannot however guarantee it and we cannot accept legal responsibility for it.

COMPONENT SUPPLIES

We do not supply electronic components or kits for building the projects featured, these can be supplied by advertisers.

We advise readers to check that all parts are still available before commencing any project in a back-dated issue.

We regret that we cannot provide data or answer queries on projects that are more than five years old.

ADVERTISEMENTS

Although the proprietors and staff of EVERYDAY with PRACTICAL ELECTRONICS take reasonable precautions to protect the interests of readers by ensuring as far as practicable that advertisements are *bona fide*, the magazine and its Publishers cannot give any undertakings in respect of statements or claims made by advertisers, whether these advertisements are printed as part of the magazine, or are in inserts.

The Publishers regret that under no circumstances will the magazine accept liability for non-receipt of goods ordered, or for late delivery, or for faults in manufacture. Legal remedies are available in respect of some of these circumstances, and readers who have complaints should first address them to the advertiser.

TRANSMITTERS/BUGS/TELEPHONE EQUIPMENT

We advise readers that certain items of radio transmitting and telephone equipment which may be advertised in our pages cannot be legally used in the UK. Readers should check the law before buying any transmitting or telephone equipment as a fine, confiscation of equipment and/or imprisonment can result from illegal use or ownership. The laws vary from country to country; overseas readers should check local laws.



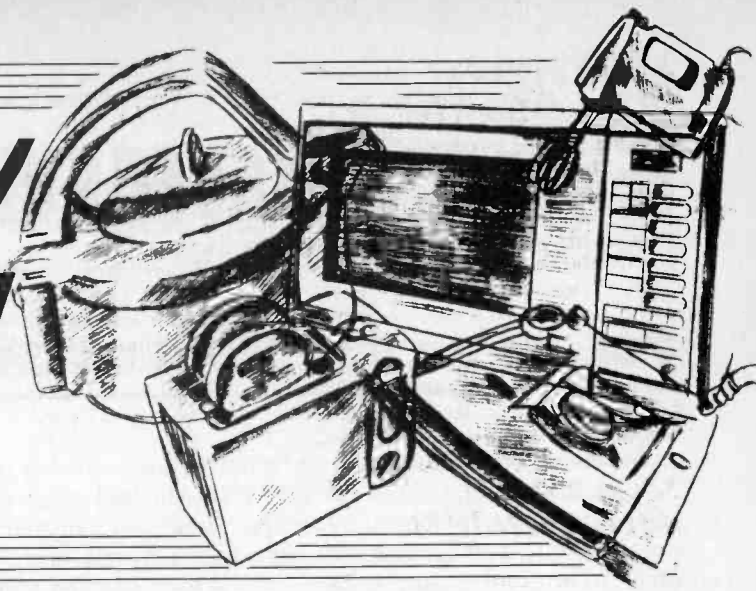
Constructional Project

1000V/500V

INSULATION

TESTER

MARK STUART



Carry out your own safety checks with this low-cost instrument

THE SAFETY of most electrical equipment relies upon insulation of various kinds. When insulation fails, the users can be exposed to mains voltage and are therefore in considerable danger.

Testing insulation with a normal ohms meter at low voltage is only useful if the insulation has failed completely, resulting in a very low resistance path. This type of failure is unusual however, and the type of failure more likely to occur is voltage dependent. Such failure may read perfectly at low voltage, but conduct heavily at mains voltage.

To test for this kind of fault requires a meter which applies a safe, current limited high voltage to the circuit and then measures the leakage current. The resulting current can then be displayed on a meter suitably calibrated to read insulation resistance.

A variety of excellent commercial designs are available, but these are expensive for occasional use.

This design provides a good quality accurate insulation tester which can test at 1000V and 500V, and indicate insulation resistance values from two Megohms to

well over 200 Megohms. It is compact, portable, and safe, using a PP3 9V battery and a voltage converter circuit to produce a stabilised high test voltage with a current output limited to below 1mA.

The meter has a "dual scale" feature that spreads out the scale preventing cramped readings at one end. The voltage converter is efficient, and so battery consumption is also low. In normal use, the battery life should be several months.

CIRCUIT DESCRIPTION

The full circuit diagram for the 1000V/500V Insulation Tester is shown in Fig. 1. The heart of the design is the voltage converter circuit. This consists of transistor TR1, diode D4, and the special ferrite core resonant transformer L1 and its tuning capacitor C4.

The base (b) of TR1 is driven by square waves at between 80kHz and 40kHz depending on the circuit load. Each time TR1 is turned on, current builds up in L1, storing energy. As TR1 turns off, the energy is released and the tuned circuit

L1/C4 "rings" producing a high voltage sine wave at the anode of D4.

If TR1 remained switched off, the ringing would tail away, giving a damped sine wave like a horizontal Christmas tree. The turn off time of TR1 is limited however, and carefully controlled so that TR1 is always turned on again during the first negative half cycle of the ringing waveform. The result is that after one complete cycle, the ringing stops and the current is again built up in L1 ready for the next cycle.

Diode D4 is very important as it allows the L1 voltage to swing negative below the supply voltage. Without it, the collector-base junction of TR1 would become forward biased and TR1 would happily conduct in the reverse direction short circuiting any attempt at a negative swing. (For those readers who remember, valves were much simpler in this respect, as there was no way that a negative biased valve anode could conduct.)

The peak-to-peak voltage swing across L1 is limited mainly by the breakdown voltage of TR1. Very high voltage transistors are available, but not without drawbacks, such as slow switching times, low current gain, and high saturation voltage.

A very good working compromise comes in the form of the ZTX455 device used, which has a breakdown voltage of 150V,

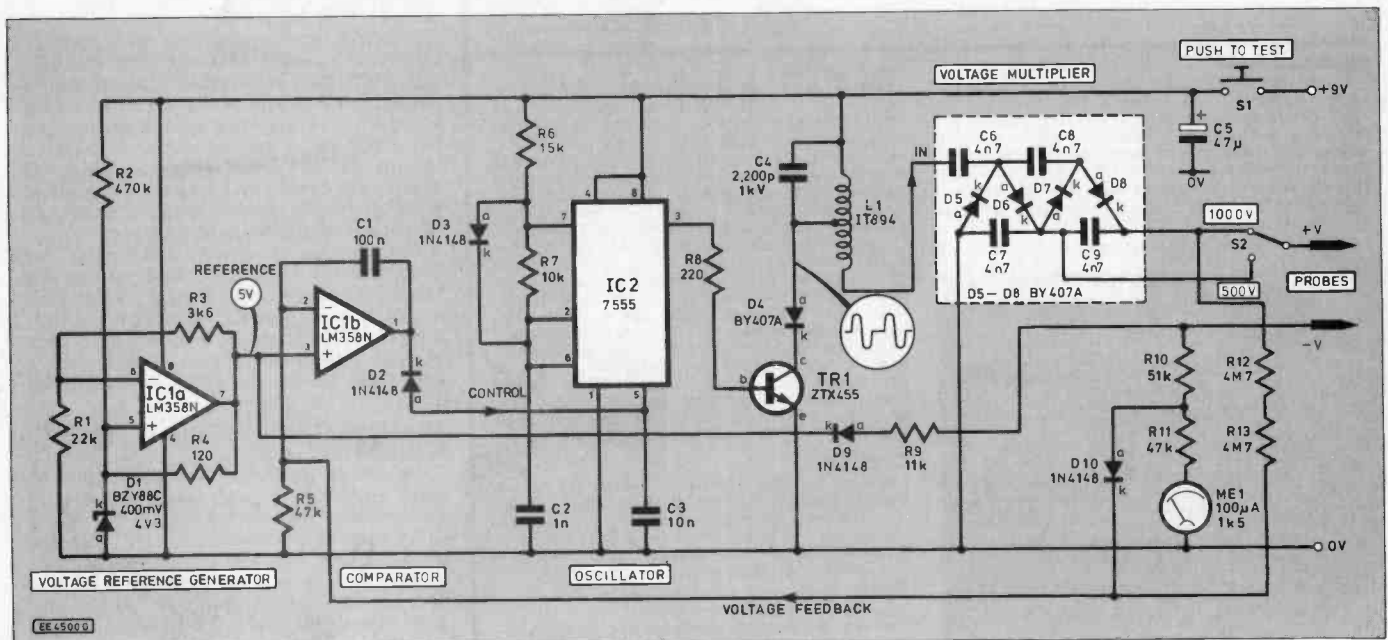


Fig. 1. Complete circuit diagram for the 1000V/500V Insulation Tester.

combined with excellent gain and low saturation voltage. This allows positive and negative swings of 125V giving a total working voltage swing of 250V peak-to-peak. Resonant transformer L1 has additional turns wound on from the tuned part, and so acts as an autotransformer. This steps up the voltage swing even further to give the 500V peak-to-peak required.

For higher voltages, a higher turns ratio could be used, but the increasing self capacitance of the winding results in high frequency ringing superimposed on the main waveform leading to inefficiency. As well as this, the lacquer insulation on the winding wire is more highly stressed, and careful winding techniques are required.

VOLTAGE MULTIPLIER

A simple "standard" voltage multiplier circuit is then used to rectify and raise the voltage to 500V and 1000V d.c. This voltage multiplier consists of two voltage doubler stages. The first stage, C6, C7, D5, and D6, takes the input and produces across capacitor C7 a d.c. output equal to the peak-to-peak a.c. input voltage.

The second identical stage takes the input voltage via C6 and C8 in series, and produces the same output voltage across capacitor C9. As capacitors C9 and C7 are in series their voltages add, giving 1000V.

The beauty of this circuit is that more stages can be cascaded to generate extremely high voltages, and that the components in each stage only need to have the same voltage rating as those in the first stage. In effect the components are in series to the high output d.c. voltage, but in parallel to the lower voltage a.c. input.

Transformer L1 and capacitor C4 need to be chosen very carefully as they must have very low losses and withstand high currents and voltages. The selection of C4 was particularly interesting, as a number of apparently good quality components got hot and absorbed a great deal of energy.

The final choice of a *low loss polypropylene dielectric capacitor must* be used for the circuit to perform well, along with the *specified* transformer L1.

DRIVE CIRCUIT

The base current for transistor TR1 is provided via resistor R8 from the CMOS 555 oscillator IC2. This is configured as a standard oscillator circuit with an additional component diode D3.

Timing capacitor C2 is charged via R6 and diode D3, and discharged via resistor R7. This arrangement allows the charge time to be independent of discharge time.

The values of R6 and C2 determine the charge time which is the time that the output from pin 3 of the IC2 is high, and TR1 is turned ON, whilst the value of R7 determines the discharge time during which TR1 is turned OFF. The turn off time is set to seven microseconds which is three-quarters of the ringing cycle of L1/C4. This is ideal as it means that base drive is applied to TR1 whilst the voltage on the anode and diode D4 is *negative*.

Although TR1 has base drive it cannot turn on until the collector voltage becomes slightly positive, which happens as soon as the negative half cycle of ringing is over. The current in L1 then begins to build up, for as long as TR1 remains turned on. This time is set to 13 microseconds and allows the maximum amount of energy to be stored in L1. In this condition, the circuit is operating at maximum output.

Pin 5 of IC2 allows the switching times to be controlled, and feedback derived from the output voltage via IC1b is used to alter the times to regulate the output so that it remains constant for all loads, and battery voltages from 12V down to 7V.

CONTROL CIRCUIT

To control the output voltage, a proportion is sampled via a 200 : 1 potential divider consisting of resistors R12, R13, and R5. The output of this is applied to the in-

verting input (pin 2) of IC1b and will be 5V if the output is 1000V. The non-inverting input (pin 3) is fed by a 5V reference derived from Zener diode D1 via IC1a. If the output rises beyond 1000V, the voltage at the inverting input of IC1b exceeds the reference, and so the output goes negative. This pulls down the control pin (pin 5) of IC2 via diode D2 which shortens the time that TR1 is turned on, reducing the stored energy and output voltage. This process is self-adjusting, with just the right amount of control voltage applied to IC2 to keep the output at 1000V.

The oscilloscope traces Fig. 2a and Fig. 2b show the effect of the control on the turn on time which is the flat section of the trace between the ringing cycles. In Fig. 2a the output is lightly loaded and the turn on time is short, whilst in Fig. 2b, the output is loaded with a two megohm resistor and the turn on time is much longer. Although the feedback is only taken from the 1000V output, the two sections of the voltage multiplier are identical, and so the 500V output is also controlled.

VOLTAGE REFERENCE

A simple Zener diode and resistor could be used as a voltage reference, but the stability would not be very good as the current would vary with the battery voltage. The circuit around IC1a provides a constant current for the Zener diode D1 via resistor R4 and also allows the reference voltage to be adjusted to any value required by altering the gain of the circuit by R3 and R1.

Resistor R2 provides a small start-up current which is needed when the circuit is very lightly loaded as in this application.

METER CIRCUIT

The current flowing in the circuit being tested is measured by a meter in the negative return lead. Resistors R10 and R11 are

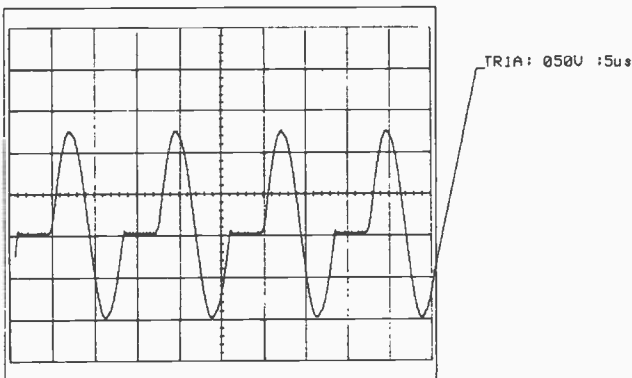


Fig. 2a. Output lightly loaded – turn on time short.

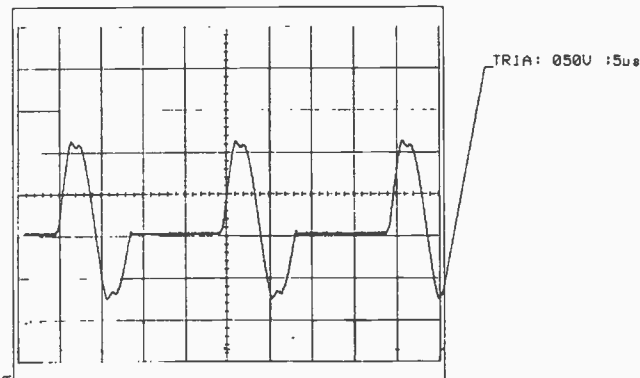
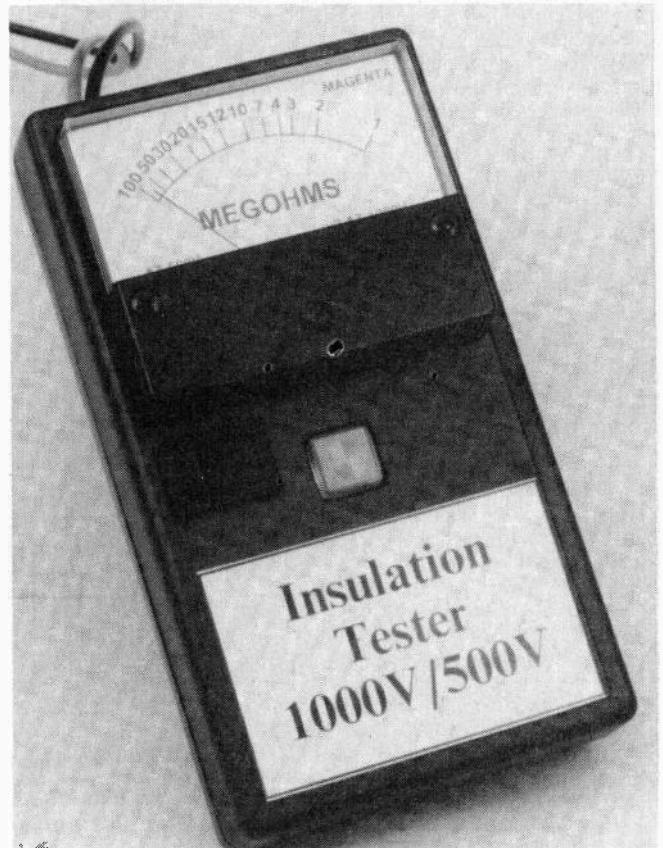


Fig. 2b. Loaded with 2M resistor – turn on time longer.



selected to drop 5V when the meter current is 50 microamps and 10V when the meter is at full scale.

Diode D9 is connected to the voltage reference so that when its anode (a) voltage rises above 5V, it begins to conduct and shunt resistor R9 is connected in parallel with the meter. The effect of this is to give the meter a sensitivity of 0 to 50 microamps for the first half of its scale, and 50 to 500 microamps for the second half of its scale. This allows a wider range of resistance values to be displayed than otherwise possible without a very cramped scale.

METER PROTECTION

When the meter is at full scale, the voltage across the series combination of R10 and R11 is 10V. At the junction of R10 and R11 it is just under 5V.

If the meter is driven any harder, diode D10 conducts and injects current into the control circuit in such a way that the output voltage is reduced. This in turn reduces the meter current so that the meter can never be driven beyond a point slightly over full scale.

CONSTRUCTION

The circuit is built on a small single-sided printed circuit board (p.c.b.) which fits closely into the case specified. (This board is available from the *EPE PCB Service*, code 906.)

The kit (see *Shoptalk*) is supplied with a ready cut-out case, but constructors wishing to use their own hardware will find it useful to use the bare p.c.b. as a template to mark out the positions of the fixing holes and the centre of switch S1. It is also a good idea to fit S1 first so that all of the case cutting can be completed and checked without having to handle the fully assembled board. The cardboard inset with the meter is also very useful as a cutting guide for the large meter hole and its four fixings.

Follow the component layout shown in Fig.3 (and screen printed onto the p.c.b.) and insert the resistors and diodes. Make sure all the diodes are correctly polarised with their cathode marking bands as indicated, and be careful not to mix up diode D1 with the others.

Apart from C5 all of the capacitors can be fitted either way round. C5 has its negative pin identified by a white strip and small minus (-) signs. IC1 and IC2 need to be fitted directly to the board as there is no space for sockets. This is because the board lies in the bottom of the battery compartment.

Transistor TR1 must be fitted the right way round with its slightly curved side as indicated. Resonant transformer L1 has a marker dot which should be nearest to the middle of the board.

The push-to-test switch S1 is fitted on the copper track side of the board. Make sure that it is pressed fully home with its alignment studs engaging with the holes provided.

Wire connections to the board are best made directly by passing the stripped ends of the wires through the board from the component side and soldering on the track side. Fit two wires 100mm long for the meter connections, and two 100mm long with thicker insulation for the output connections to switch S2. Fit the battery clip, and finally the lead from the negative probe.

The meter connections cannot be made using the normal screws if the specified case is used, because it is marginally too shallow. Instead the wires must be soldered directly to the sides of the two connecting posts.

This is easier if the surface is broken by filing, or even better if a small hacksaw is used to cut slots into which the wires can be pushed before soldering. Take care to protect the meter face (masking tape is very useful) and to keep filings from getting inside. The meter housing is made from a bakelite type of plastic and withstands soldering well.

Fit the Voltage selector switch S2 into the case by pushing it through from the outside, and solder the positive probe lead to the centre tag. The 1000V and 500V wires from the board are made to the two outside tags.

Before fitting the board into the case it should be tested. Once operating correctly, fit the three mounting screws, and position a small piece of foam over the board to cushion it from the battery and prevent rattles. A small battery tray made from card gives a tidy finish. The leads for the probes are brought out of the end of the case through small "u-shaped" cut-outs which should just be big enough to grip them.

METER

The meter scale must be changed. Fig.4 shows a full size reproduction of the correct scale which can be photocopied. Kit builders will be supplied with a photographically produced overlay.

In either case, it is necessary to remove the meter cover by taking out the two screws, and to remove the meter scale by taking out two more screws – carefully – without damaging the meter needle. The scale overlay should be cut to size and fitted in position on the original scale using a dry type adhesive such as "spray mount" or a lightweight double-sided tape (Pelican Roll-fix is ideal). Once correctly positioned, trim off any overlapping bits, and refit.

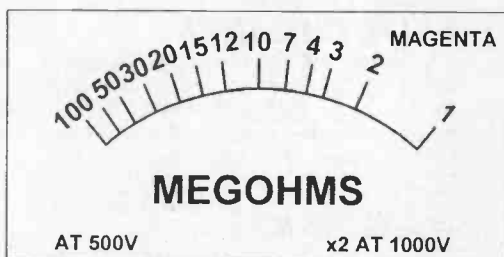


Fig. 4. Full size meter replacement scale.

COMPONENTS

Resistors

R1	22k
R2	470k 5%
R3	3k6
R4	120 5%
R5, R11	47k (2 off)
R6	15k
R7	10k
R8	220 5%
R9	11k
R10	51k
R12, R13	4M7 2% (2 off)

All 0.6W 1% carbon film, except where stated.

See
**SHOP
TALK**
Page

Capacitors

C1	100n disc ceramic, 50V
C2	1n min. polyester, 2%
C3	10n ceramic plate
C4	2200p polypropylene, 1kV
C5	47µ radial elect. 10V
C6 to C9	4n7 ceramic disc, 1kV (4 off)

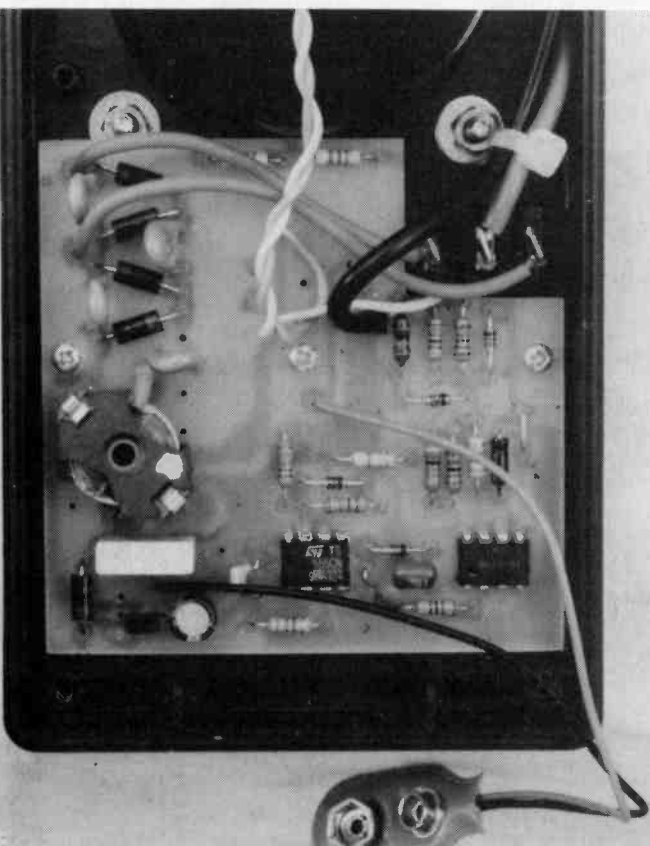
Semiconductors

D1	BZY88C 4.3V 400mW Zener diode, 5%
D2, D3, D9, D10	1N4148 diode (4 off)
D4 to D8	BY407A diode (5 off)
TR1	ZTX455 npn medium power transistor
IC1	LM358N dual op.amp
IC2	TS555CN CMOS timer

Miscellaneous

ME1	100µA 1k5 moving coil meter
L1	IT894 ferrite core transformer – see <i>Shoptalk</i>
S1	Push-to-make p.c.b. mounting switch, non latching
S2	Single-pole changeover rocker switch
B1	9V PP3 battery, with clips

Printed circuit board available from the *EPE PCB Service*, code 906; plastic case, size 80mm x 145mm x 35mm, with cutout see *Shoptalk*; probes and leads; connecting wire; piece of foam sponge; solder etc.



The p.c.b. mounted on the rear of the case lid. Note that switch S1 is mounted on the copper side.

Approx cost
guidance only

£33

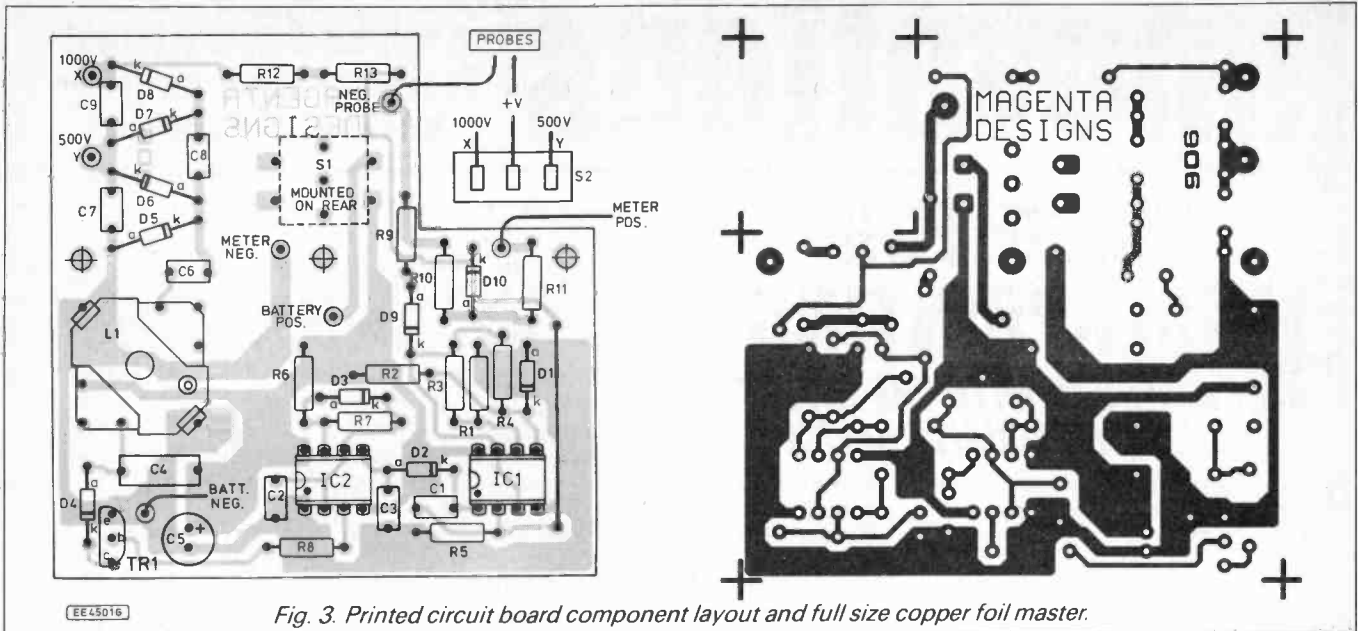


Fig. 3. Printed circuit board component layout and full size copper foil master.

TESTING

Before applying power check and double check everything. If there are any errors, it is odds on that they will be visible and pretty obvious once they have been found. Look especially for solder bridges, dry joints, and correct polarity of components.

Take care! The circuit produces only a small, safe, limited current, but it gives a nasty "nip".

If a current limited supply is available, set the limit to 100mA and gradually increase the voltage from 0V to 9V whilst pressing switch S1. If all is well the circuit will work, and a multimeter on the 500V output should rise and remain stable once the supply is above 7V or so. The current may be more than 100mA but something is wrong if it rises much above 150mA.

In the absence of a current limited supply, a PP3 battery with a 33 ohm resistor in series will provide a suitable supply and should not cause any damage if there are faults.

Check that the reference voltage is 5V, and that the voltage on the output of IC2 (pin 3) reads somewhere around 4V (It is actually pulsing very quickly between 0V and 9V, but a meter will simply read the average).

The output voltage should be close to the correct value, but can be trimmed if required by altering the value of resistor R5 very slightly. First make sure that the regulator is in its operating range by varying the supply voltage or load and checking that the output does not vary.

Resistor R5 can be altered by adding series or parallel resistance until exactly 500V and 1000V are produced but *do not* leave the R5 position open circuited or the full 1000V output will appear on IC3 pin 2! As an alternative a 100 kilohm preset can be fitted.

Once the output voltage is correct, check the meter by putting a range of known resistor values across the probes. A string of 10 megohms is useful for this, as it can be tapped at various intervals. The meter movement accuracy is 3 per cent, and the resistors 5 per cent so do not expect absolutely spot on readings.

Check that anything less than two Megohms simply stops the meter just over full scale, and that shorting the probes has a similar effect. Any insulation resistance of less than two Megohms represents a fault

and so there is little point in reading such values.

The same meter scale is used for 500V and 1000V. It has been calibrated for 500V. Simply double the indicated reading when using 1000V.

OPERATION

The Insulation Tester is used in the same way as a multimeter on the Ohms scale. Take care though in circuits with capacitance which may be charged using the meter. These will usually be obvious as the needle will creep back as the capacitances charge up.

A discharge path does exist in the meter via resistors R12 and R13, so if the probes are held in position for a few seconds after S1 has been released the voltage will decay to a safe value. If circuits with capacitance are to be tested regularly, then reducing the values of R12 and R13 to 2M Ω and R5 to 22k will halve the discharge time. The only

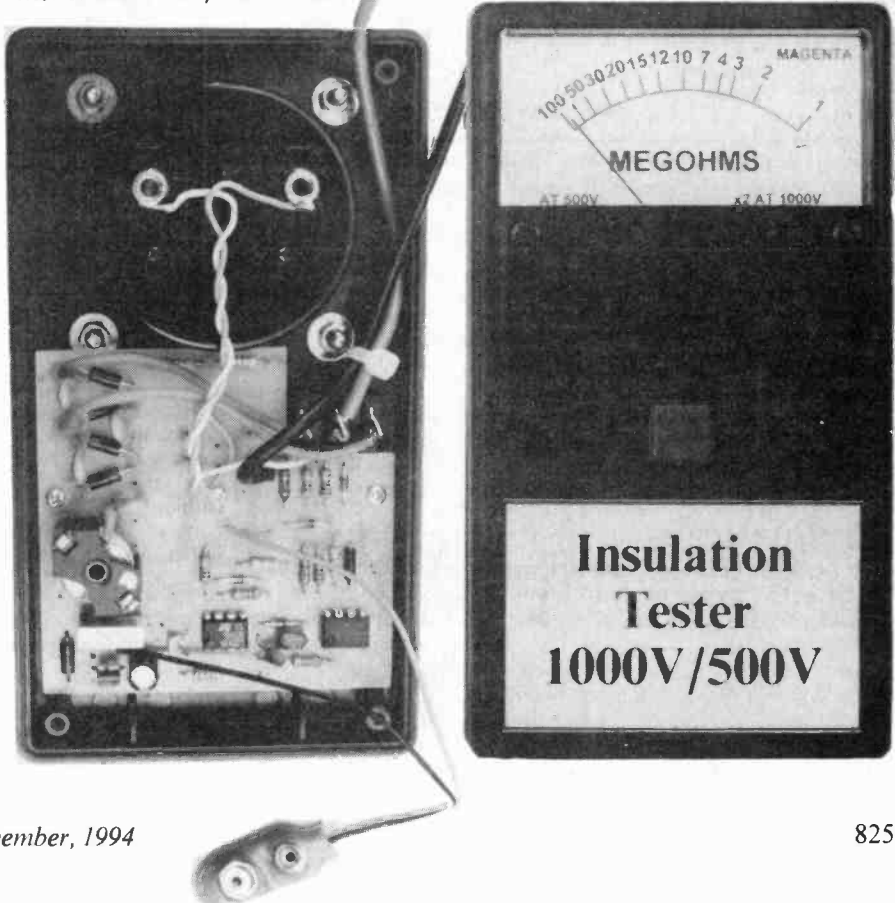
penalty being an increase in battery current drain.

Domestic appliances are the most obvious items to test, especially "white goods" such as washing machines, cookers, and freezers. It is worth checking these regularly even if they appear sound, as increasing leakage can indicate dampness, or the beginning of insulation breakdown.

Take care when checking anything electronic. There is always a danger to sensitive circuits from high voltage discharges, and an insulation tester, by its nature, produces these. The tester is ideal for domestic wiring checks, and will quickly indicate potential problems especially in old wiring, or damp junction boxes.

Although the test voltage is high, the maximum current is limited to under one milliamp. This compares with sensitive RCCB trips which are designed to protect life and need 30 milliamps to operate. \square

Interior of the completed Tester.



A CASE FOR FINGERPRINTING

KEEP IN-TOUCH WITH THE LATEST HIGH-TECH SECURITY DEVICE

ANYONE who's ever watched TV's top cops knows that fingerprints are about the surest form of personal identification around.

With that in mind, a Taiwanese professor, Wen Hsing Hsu, has invented Startek, FingerCheck, a fool-proof fingerprint device which can provide a unique high-tech security system. It is claimed, it can crack down on burglaries, do away with all those PIN numbers and keep sticky fingers out of your bank account.

The Startek fingerprint identification control system, which is now available in the UK, can be used wherever personal identification is needed to gain access into secure areas, such as computer rooms, banks, laboratories, private clubs, private garages and even at hole-in-the-wall cash machines.

The fingerprint verifier makes use of the unique and unchangeable characteristics of

The stand-alone system can be connected to a computer network to perform other functions such as event recording and communications.

For law enforcement applications, the fingerprint verifier can work with card systems, such as smart cards and optical cards, to perform identity verification. It provides social welfare security by using cards such as ID card, drivers license, passport, credit card and so on.

The Startek device has already made its mark abroad and has been awarded the 1994 National Award of Excellence. According to Avalon Technology, the UK's sole distributor, it won't be long before the system is put to test in high street cash till machines.



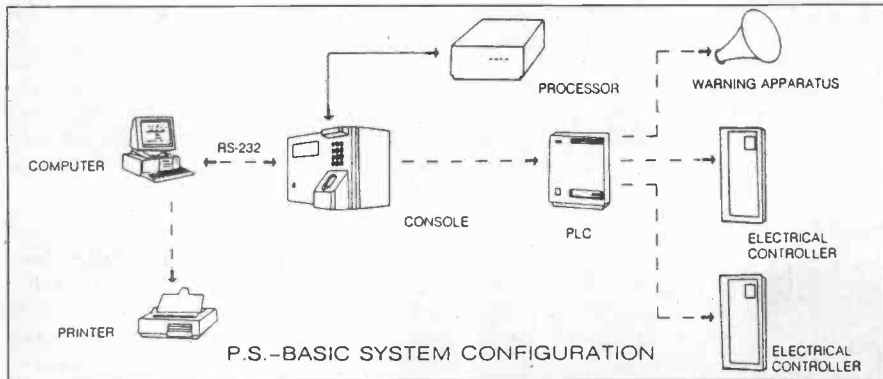
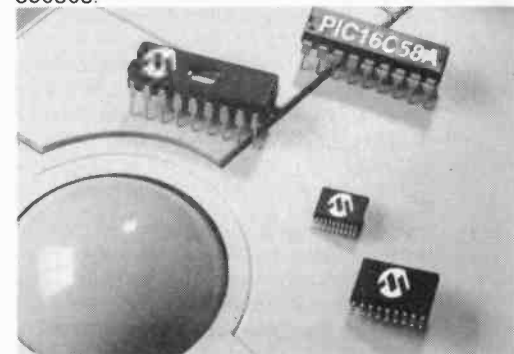
TAKE YOUR PIC

MICROCHIP's new 8-bit EPROM-based microcontroller PIC16C58A is faster than any other in its class. With 2048 12-bit words of one-time programmable memory for program storage and 73 8-bit bytes of static RAM for data memory included on-chip, and up to 2-to-1 code compaction efficiency over non-RISC-based competitors, the new device provides one of the largest effective program storage capacities in the low-cost 8-bit microcontroller market.

All PIC16C5XA devices operate at up to 20MHz with 200ns instruction execution time. The PIC16C58A is the latest family member to be fabricated using the 0.9 micron dual layer metal process. Its on-chip peripherals include an 8-bit real-time clock/counter with programmable prescaler, oscillator, start-up timer, watchdog timer with R/C oscillator and 12 I/O lines with individual directional control. It also provides very low power consumption with 2.5 to 6.0 volt sources and a power down or sleep mode which substantially reduces current drain.

Microchip's new microcontrollers are supported by a complete range of Windows 3.X compatible application development and support tools, including an assembler, C compiler, software simulator, in-circuit emulator and programmer. The PIC16C58A is available in plastic DIP, SOIC and SSOP.

For further information contact: Arizona Microchip Technology Ltd., Unit 3, The Courtyard, Meadowbank, Furlong Road, Bourne End, Bucks. SL8 5AJ. Tel: (0628) 850303.



personal fingerprints to provide highly accurate identity verification. It works by comparing the live-scan fingerprint captured by the fingerprint reader with the one previously enrolled into the computer system. The whole verification process takes just three seconds!

The features of each live scan fingerprint are extracted into a minutia file for matching. By reducing the size of this file to only 256 bytes, database requirements are significantly reduced. The fingerprint template can easily be stored on card systems (e.g. smart cards, optical cards etc).

Applications

By integrating FingerCheck fingerprint verifier into computer or micro controller systems, it can serve in a variety of applications.

These include: Computer access or transaction control, computer database security control and physical access control by connecting it with control circuitry to activate door locks (stand-alone system).

To operate the system you put your card in the machine and put your fingerprint over a small scanning device that takes a "picture" of your fingerprint. Startek's screening software classifies your print patterns, immediately eliminating 90 per cent of the mismatches. The verification process takes no longer than it takes to check a PIN number now.

That's good news in order to thwart thieves who might steal your wallet and figure out your PIN number from a driver's license, birthdate, or telephone number (the most frequent PIN codes that people choose).

In the very near future, our fingers will definitely be doing the walking; we will be able to pay for our supermarket shopping, log into our computers and open doors by placing a finger on an accurate fingerprint verifier.

For more information contact: Startek Engineering Ltd. Dept EPE, 64 Sandback Road South, Alsager, Stoke-on-Trent, Staffs, ST7 2LP. Phone 0270 882 800.

GROUND CONTROL

FOR the new digital *Inmarsat B* satellite system, ABB Nera in Norway has developed a digital terminal, Saturn BT, that is claimed to be ideally suited for use as a local fixed or semi-fixed telecommunication centre. It claims to provide regions with little or no infrastructure with opportunities for international telephone, telefax and data communication, at even a lower cost than before.

The *Inmarsat B* service, being digital, claims several advantages over *Inmarsat A*. It works faster and more reliably, providing noise-free high-quality voice and data communication. It also has much higher transmission capacity, which eliminates the congestion problems experienced in the A system.

The Saturn BT terminal is designed for fixed installations and consists of an antenna r.f. unit

and a control unit that are connected by a single coaxial cable, which can be extended up to 100 metres. The system can be either d.c. or a.c. powered and is built to operate in the most adverse arctic and tropical weather conditions. Installation is simple and can be completed in five to ten minutes.

The unit is equipped with five extra telephone/fax outlets with separate numbers, in addition to hook-ups for modem, PC and a printer that will print out alarms, call logs, telex messages and broadcast messages. All operations are handled from keypads on a handset that is similar to that of a mobile phone.

Voice is digitally coded for transfer at 16Kbps, which provides noise-free speech. The telefax and data rates are 9600bps. Heavy data users could make additional large savings using a high-speed data option at 64,000 bps.



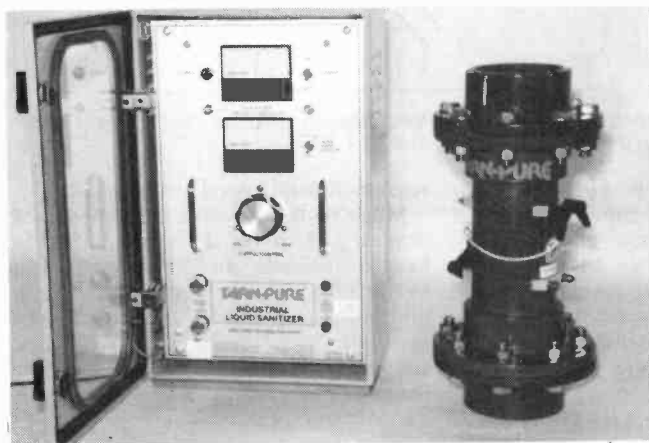
ELECTRONIC WATER PURIFICATION

by Hazel Cavendish

ELECTRONICS have contributed to one of the most valuable discoveries in safeguarding public health in recent years. The ionisation of a nation's water supply has been found to destroy dangerous organisms, and guarantees that these can neither multiply nor reoccur providing the system is maintained.

Millions of pounds have been earned for Britain by the export of the Pan-Ionic Tarn Pure system, transforming the purity of water in many places around the world over the past 12 years.

Englishman John Hayes, who lives in High Wycombe, Bucks, confesses to having been "fanatical about electronics" since he was 12 years old and was aware that the principle of silver in solution acting as a biocide had been known for centuries. The Romans kept water in silver utensils to keep it fresh, and American pioneers travelling west put a silver dollar in their water bottles. Silver salts have been used medically as a disinfectant for many years, but it is comparatively recently that scientists have begun to understand the actions that take place in killing micro-organisms.



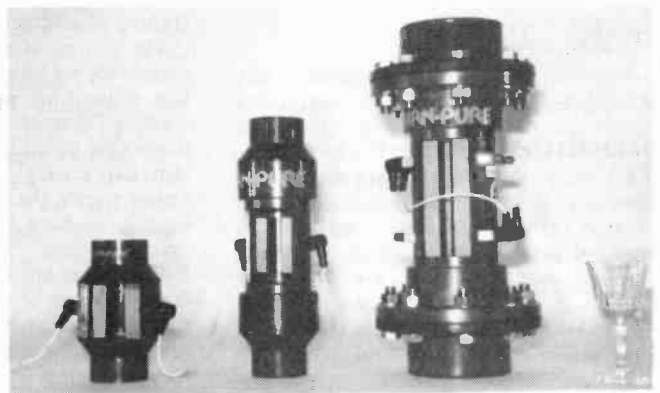
John Hayes formed a company called Pan-Ionic Tarn-Pure which has developed a purification process in which a minute stream of silver and copper ions are released by an electrode cell, powered by a solid state electronic control and monitoring system to permeate all areas of water circuits, including low usage outlets and "dead legs". The system has been developed, tested and installed worldwide over the last 12 years in some 12,000 sites. The treated water meets the criterion of wholesome (potable) water standards and is widely acknowledged to be the most effective "on line" means of controlling legionella and its harbouring biofilm without the necessity of chemical, pasteurisation, flushing and maintenance costs. Moreover it is environmentally friendly, imparts no odours or taste, and does not cause eye or skin irritants.

It is because modern electronics make it relatively simple to control the release of silver and copper into water that the disin-



fecting properties of ions in the solution have been made so effective. Metal ions are released in direct proportion to the current flowing between the electrodes, which are lethal to bacteria, viruses and algae, including legionella, listeria, salmonella, hepatitis, e.coli, coliform, pseudomonas etc., whilst having no ill effect on human beings. The silver level is maintained at no higher than 10 parts per million or 10 micrograms per litre, thereby falling within both EEC and EPA potable water standards.

Usefully, the Tarn Pure system is proving far more economical than other methods. Raising hot water temperatures for pasteurisation has wasted energy, and "blending valves" - introduced to prevent the danger of scalding when very hot water was deemed essential - are costly to fit and instal. Chlorinisation and the subsequent flushing of cold water tanks, pipework and outlets is disruptive and consumes valuable maintenance time, coupled with corrosion caused to both tanks and pipework.



New Technology Update

Ian Poole uncovers more messages about Hi-Tech display developments to meet new demands.

IN view of the enormous demand for numerous varieties of displays, many companies are trying to develop new types that will fill gaps in the market. In fact in previous *New Technology Updates*, we have publicised a few display ideas which are surfacing from development laboratories.

Now news of another new display is beginning to surface. Called an Active Matrix Electroluminescent (a.m.e.l.) display, it has a number of advantages over other displays. It combines the lightweight and low-power consumption of the electroluminescent display with the very much higher definition of an active matrix display.

Active Matrix Electroluminescent Display

Prototypes of the display have been manufactured using a high voltage silicon-on-insulator or s.o.i. process. The circuit for each pixel consists of two transistors. One of these is a low voltage access transistor. The other is a high voltage one used as the final driver, and is an n-channel device and it is made using an NDMOS process.

The display operation cycle is split into two parts: a load period and a display period. During the load period the display is turned off and the logic level on the input data line is transferred through the access transistor onto the gate of the driver. Then, during the display period, the voltage level on the gate of the driver determines whether or not the pixel is illuminated.

Since the operation of the display is essentially digital and circuits are either fully on or fully off, the power dissipation in the circuit is very low. As the display is likely to be used in applications which include portable computers, power dissipation is important.

High Density

For the new display, a process was needed which could give a high pixel density, combined with an ability to withstand high voltages up to about 200V. To achieve this, the development team used thin film s.o.i. technology as the base. A high density CMOS process was used for much of the control and access circuitry. For the drivers, a high voltage DMOS process was employed. This allowed the electroluminescent material to be deposited on the top to complete the display.

Initial samples of the display have pixel sizes of around $24\mu\text{m}$ square, giving a final resolution of just over 1000 lines per inch. Although the display is currently in its prototype stages, it is expected that it should shortly be on line for manufacture. As such, it represents another development which will help to keep display technology up with current demands.

Outdoor Displays

It is never easy to produce large displays for applications such as railway station boards, or even for use outdoors. Often large and expensive arrays of l.e.d.s, or even incandescent bulbs are used. These function satisfactorily, but they are limited in their resolution and lack the flexibility of other displays. Where flexibility is needed, large liquid crystal displays can be used, but their cost is very high.

The shutter consists of two films of piezo-electric material glued together with an epoxy resin to form a structure which is similar to a bi-metallic strip – see Fig. 1. The strip is set up so that the application of a voltage causes one of the piezo-electric strips to expand and the other to contract. In this way it can be made to rise or fall, covering or uncovering the end of the optical fibre.

On Screen

As there is comparatively little mass to the shutter and the movement needed is only 2mm, it can respond in about 3ms. This makes it fast enough to operate as a video display making large outdoor television screens a possibility.

To make up a complete display many modules are needed. The individual pixels are made up to suit a screen size of around 12 metres square. This gives sufficient

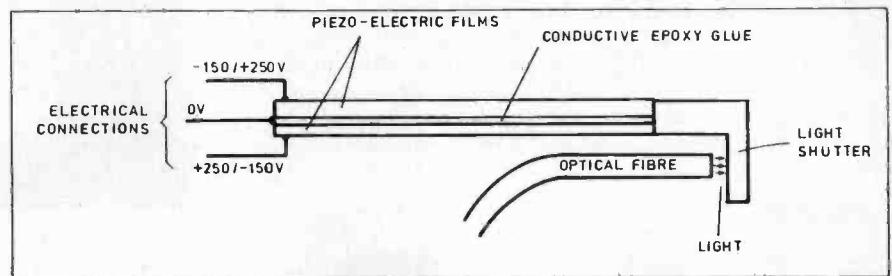


Fig. 1. Basic mechanism for the fibre optic/piezoelectric display. Split into 175mm square modules, each has a total of 900 fibres in a 30×30 matrix.

To overcome some of these problems, a Belgian company called Sunfire Europe has combined fibre-optic and piezo-electric technology in a new and interesting development. The manufacturers claim that they will ultimately be able to generate high brightness and definition levels which so far have been very difficult to achieve.

In essence, the system uses the piezo-electric effect to operate shutters which open and close over fibre-optic cables, turning small pixels of light on and off.

The display is split into modules each measuring 175mm square. Each module has a total of 900 fibres in a 30×30 matrix. These are illuminated by a newly developed metal halide lamp whose light is passed through an optical splitter. The optics enable the fibres to be illuminated equally or have the light split into red, green and blue.

The fibres are used to bring the light from the back of the module to the front where the shutters are located. There is one shutter for each fibre enabling its light to be turned on or off.

resolution to give good picture quality.

Much of the logic which controls the display and drives the shutters can be located remotely and the signals sent to the display over a wide-band telephone link (e.g. ISDN). By adopting this approach it is much easier to set up temporary displays. Even for more permanent installations this may prove to be a convenient solution.

**HAVE YOU
ANY NEW
TECHNOLOGY
YOU WISH TO
HIGHLIGHT HERE!**

Why not drop us a line

At last, a fully functional upgradeable PCB CAD system to suit any budget. Substantial trade-in discounts are available against other "professional" PCB design packages ...

... call now for details.

Board Capture

Schematic Capture Design Tool

£395

- Direct netlist link to BoardMaker2
- Forward annotation with part values
- Full undo/redo facility (50 operations)
- Single-sheet, multi-paged and hierarchical designs
- Smooth scrolling
- Intelligent wires (automatic junctions)
- Dynamic connectivity information
- Automatic on-line annotation
- Integrated on-the-fly library editor
- Context sensitive editing
- Extensive component-based power control
- Back annotation from BoardMaker2

BoardMaker

BoardMaker1 - Entry level

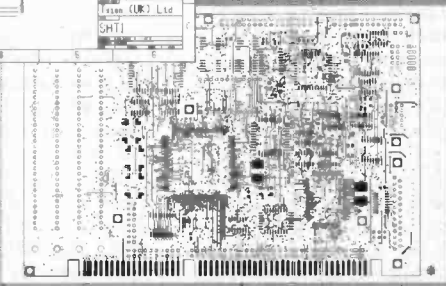
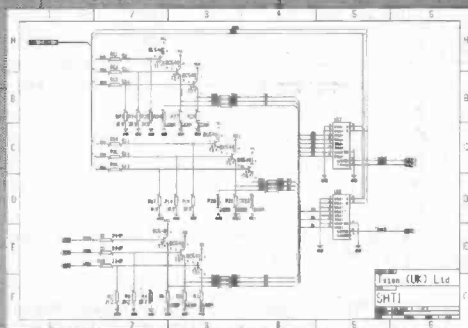
£95

- PCB and schematic drafting
- Easy and intuitive to use
- Surface mount and metric support
- 90, 45 and curved track corners
- Ground plane fill
- Copper highlight and clearance checking

BoardMaker2 - Advanced level

£295

- All the features of BoardMaker1 +
- Full netlist support - BoardCapture, OrCad, Schema, Tango, CadStar and others
- Full Design Rule Checking both mechanical and electrical
- Top down modification from the schematic
- Component renumber with back annotation
- Report generator - Database, ASCII, BOM
- Thermal power plane support with full DRC



NEW

Board Router

Gridless re-entrant autorouter

£200

- Simultaneous multi-layer routing
- SMD and analogue support
- Full interrupt, resume, pan and zoom while routing

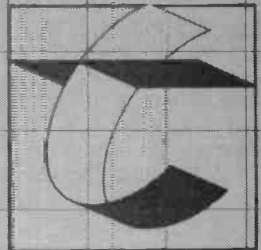
Output drivers - Included as standard

- Printers - 9 & 24 pin Dot matrix, HPLaserjet and PostScript
- Penplotters - HP, Graphics & Houston
- Photoplotters - All Gerber EX00 and 4X00
- Excellon NC Drill and Annotated drill drawings (BM2)

Call, write or fax for more information or a full evaluation kit

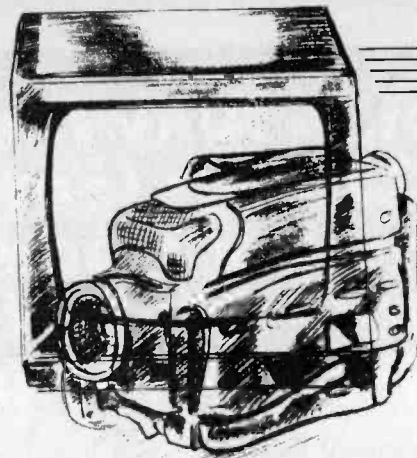
Tsien (UK) Limited
Aylesby House
Wenny Road, Chatteris
Cambridge
PE16 6UT

Tel (0354) 695959
Fax (0354) 695957



tsien

all trademarks acknowledged



VIDEO MODULES

ROBERT PENFOLD Part One

Your home videos will take on a whole new meaning if you build these low cost modules. Professional presentations couldn't be easier! You can tailor the controller to meet your own special needs and budget.

- Simple and Improved Faders • Horizontal and Vertical Wipers
- Video Enhancer • 4-Channel Audio Mixer
- Audio Dynamic Noise Limiter • System PSU

THE RISE in popularity of camcorders and home video productions over the past few years has been phenomenal. Camcorders are now standard consumer items which are available in every high street, and at surprisingly low prices.

Most users probably do not bother with editing of their tapes, but a tape of recorded highlights is much more watchable than one which simply includes all the recorded material. In fact a good video production is generally reckoned to be produced by using about 10 per cent of the recorded footage, and discarding the other 90 per cent.

With most camcorders and an ordinary video recorder it is possible to put together a tape which comprises the best bits of the source tape or tapes. This is basically just a matter of selecting the sections to be included in the final production, and then copying them from the camcorder using the normal video recorder.

With the right camcorder and video recorder this can be accomplished quite well without the need for any accessories other than suitable connecting leads. With practically any camcorder and video recorder combination it is possible to achieve the required editing, but results will not necessarily be particularly polished.

MAGNIFICENT SEVEN

Most video editing is easier if a few accessories are added to the system. Devices such as faders and wipers to process the video sig-

nal, and a mixer in the audio signal path, permit much more professional results to be obtained. In this series of articles seven video modules are covered, as follows:

Simple Video Fader – Improved Video Fader

Horizontal Wiper – Vertical Wiper

Video Enhancer
Four-Channel Audio Mixer
(microphone plus three high level inputs)

Audio Dynamic Noise Limiter (D.N.L.)

Adopting a modular approach makes it easy for each constructor to build a video controller which only provides the functions that he or she really needs. There is actually an eighth module, which is a simple mains power supply unit for the other modules.

Mains operation represents the most economic means of powering the modules, but battery operation is also possible. However, a 12V supply is needed, and the current consumption of a typical video controller based on these modules will be quite high. A fairly high capacity battery is therefore needed (e.g. eight HP7 size cells in a holder), and the running costs are likely to be quite high.

Note that all the video processing modules are designed to operate with a standard PAL composite video signal at 75 ohms impedance. They are not designed to operate with a u.h.f. signal, and will not work at all when used with such a signal. Neither can they be used with any form of RGB signal.

SIMPLE FADER

These days most camcorders have a built-in video fader, but a few models still lack this facility, and it is certainly absent on many older units. Even where a camcorder does have this facility, many prefer to use an external unit that gives full manual control of the "fade-out".

The basic idea of using a fader is that it enables the end of one scene to be gradually faded out, and then the beginning of the next scene is faded up. Compared to the usual alternative of simply cutting straight from one scene to the next, this gives a smooth transition from scene to scene. This more gentle approach is more appropriate to many types of video production, and is certainly an option which most video editors would like to have available to them.

Although a video fader is the video equivalent to a volume control in audio equipment, it is rather more complex than a volume control. A PAL video signal consists of two main parts. First there are the synchronisation signals which are negative pulses and then there is the luminance signal, which is positive.

There are actually two types of synchronisation pulse, the frame type (also known as "field" pulses) and the line pulses. The frame pulses are longer than the line type, and their respective durations are approximately 160µs and 5µs. The pulse duration is the only difference between the two types of synchronisation pulse. In a

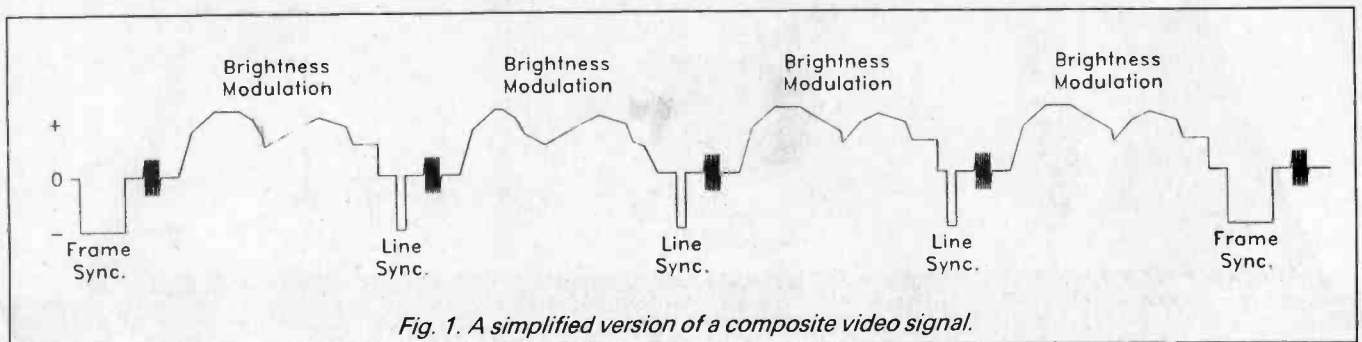
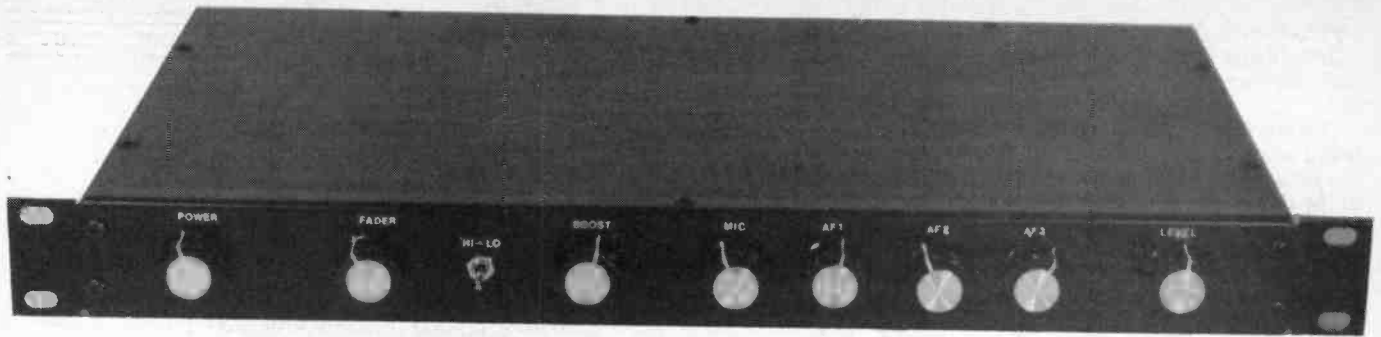


Fig. 1. A simplified version of a composite video signal.



Front panel layout and lettering on the slim-line case.

standard 75 ohm composite signal they both have an amplitude of about $-0.5V$.

The frame pulses are at a frequency of 50Hz, but a system of interlacing is used. This means that during each frame only every other line of the picture is scanned, and two complete scans are needed to produce one complete picture.

Although there are 50 frames per second, there are only 25 complete pictures each second. Interlacing is used in order to reduce picture flicker. There are 625 lines per complete picture, which gives a line synchronisation frequency of 15.625kHz.

ILLUMINATING

The luminance signal (i.e. the black and white picture information) is a positive signal which is between about 0V and +2V. The British PAL system uses a positive luminance signal, so white areas produce a signal at about +2V, and black areas produce a signal at around 0V.

The basic arrangement used for a composite PAL signal is shown in Fig. 1. This is a slightly simplified version of a composite PAL signal incidentally. A real PAL signal includes colour information.

It is only the luminance signal that must be attenuated by a video fader. The synchronisation signal must be left intact. Simply attenuating both signals would result in synchronisation being lost long before the luminance signal was properly faded out.

The most simple method of fading the signal is to use some form of adjustable clipping circuit. Normally the positive clipping level is set just high enough to ensure that the luminance signal can pass unaffected. To fade the signal the clipping level is gradually reduced. This results in the positive peaks of the signal being more and more heavily clipped, until the luminance signal is eventually removed altogether.

The type of fade-out this produces is not quite the same as that obtained by reducing the brightness control of a television set or monitor. The whole signal is not being attenuated as the fader control is operated.

First the brightest parts of the picture are

for the Simple Video Fader unit. This variable clipping circuit is a simple diode type based on D1 and D2.

The clipping level is controlled by the bias voltage fed to diode D1 via resistor R3. This voltage is provided by the potential

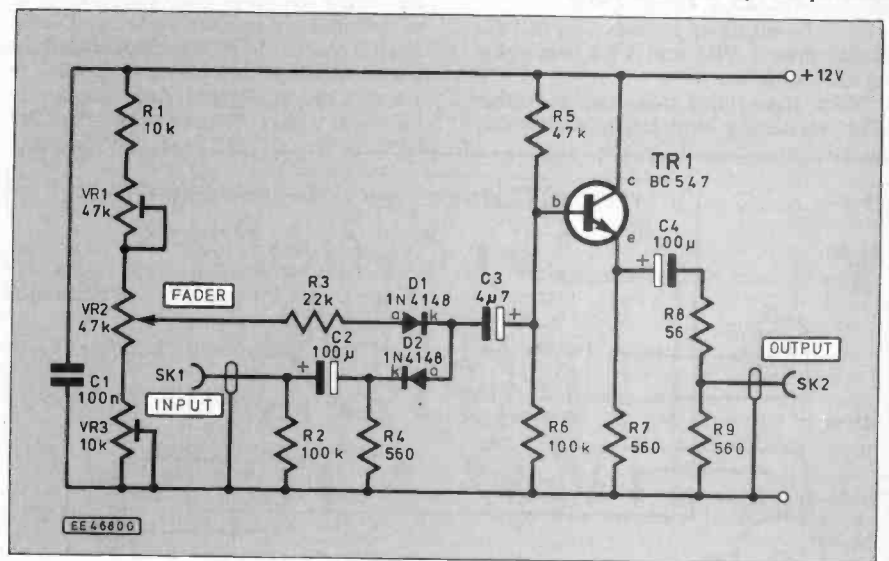


Fig. 2. Circuit diagram for the Simple Video Fader.

affected, then those at intermediate levels of brightness, and finally the darker areas of the picture. Also, the colours in the well faded picture seem to be rather oversaturated. However, the fade-out effect is still quite acceptable, and should satisfy all but the most demanding of home video enthusiasts. The alternative methods are all much more complex.

CIRCUIT OPERATION

The circuit diagram shown in Fig. 2 is

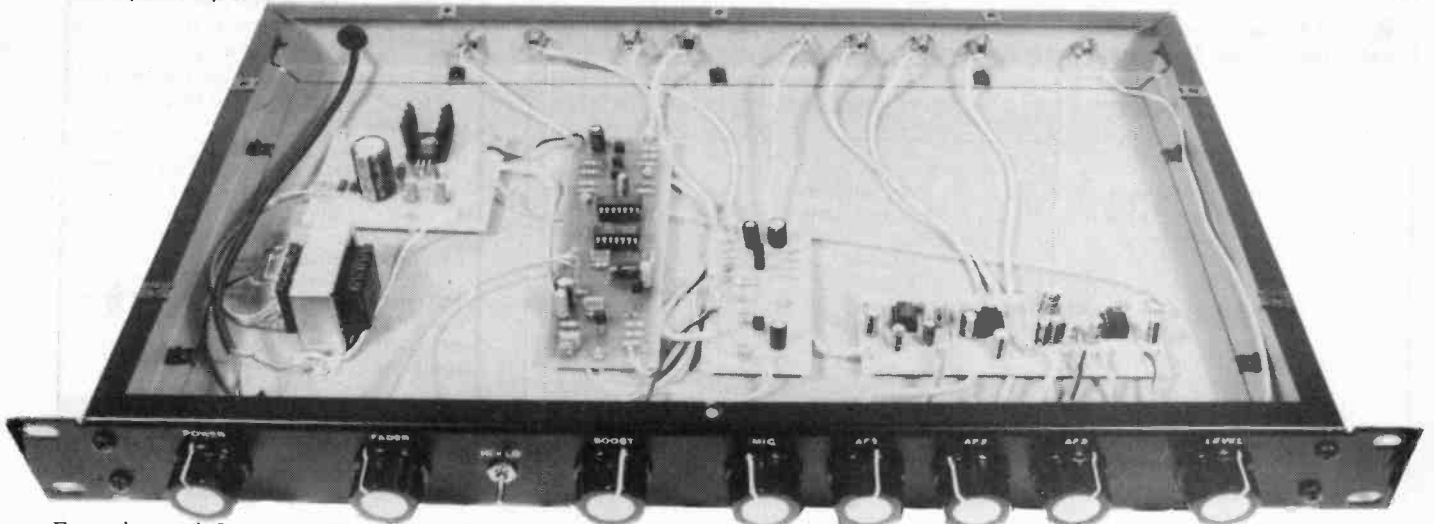
divided circuit comprised of R1 and VR1 to VR3. Potentiometer VR2 is the Fader control. Presets VR1 and VR3 are adjusted to give a good control range from VR2.

Transistor TR1 is used as an emitter follower buffer stage at the output of the circuit. The circuit has a current consumption of approximately 10mA, which is mainly the current drawn by the output stage.

CONSTRUCTION

Details of the printed circuit board top-side component layout and full size un-

Top removed from the case showing the general layout of modules. Note that screened leads should be used between boards and input/output sockets.



derside copper foil master for the Simple Fader are provided in Fig. 3. This board is available from the *EPE PCB Service*, code 910.

This is a very simple and straightforward board to construct and should not provide any real difficulties. However, be careful to fit the three electrolytic capacitors and the two diodes with the right polarity.

Presets VR1 and VR2 must be miniature horizontal mounting types if they are to fit onto the board properly. Fit single-sided solder pins to the board at the supply inputs and the points where connections to off-board components will be made.

The small amount of hard wiring is also shown in Fig. 3. There is no need to use screened leads to carry the connections from sockets SK1 and SK2 to the board, but these leads should be no longer than is really necessary.

ADJUSTMENT

Start the setting-up procedure by first adjusting presets VR1 and VR3 to roughly middle settings.

When testing this unit, and the other video processing modules, it is probably

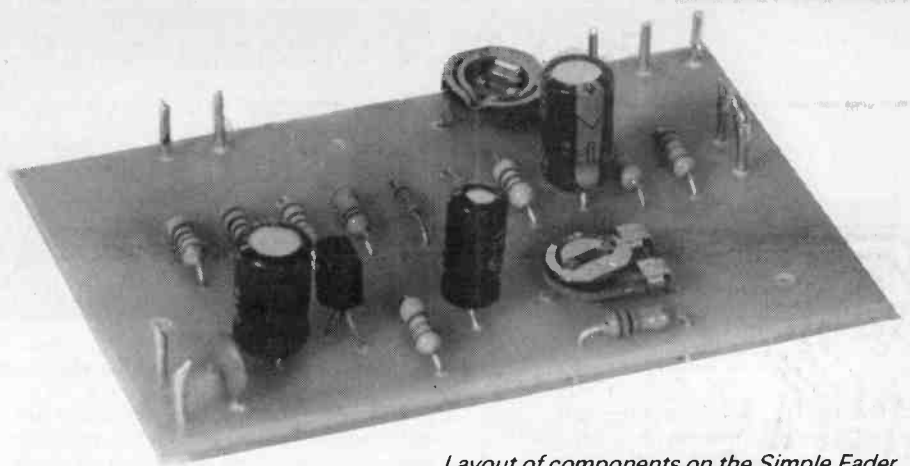
best to connect the output of the camcorder to the input of a monitor via the unit under test. Of course, the monitor can actually be a television set driven via its A/V socket, or via a u.h.f. modulator. Any monitor or television that is compatible with the com-

posite output signal of the camcorder is suitable.

The camcorder can be used to play back a tape, or it can simply be used as a camera. The only requirement is that it should provide a reasonable test signal (i.e. the signal should be a fairly high contrast type).

Adjusting the Fader control VR2, at this stage, should permit the picture to be faded up and down, but not necessarily from black to full brightness. With VR2 fully backed-off, set preset VR3 for the deepest fade that can be achieved. The setting of VR1 is less critical, and it can be given any setting that permits full brightness to be obtained.

For best results it should be given the highest resistance that permits full brightness to be obtained. VR2 should then have a good control characteristic which is free from a large "dead" area at the high brightness end of the range.



Layout of components on the Simple Fader printed circuit board. Solder pins are used for all lead-off wires.

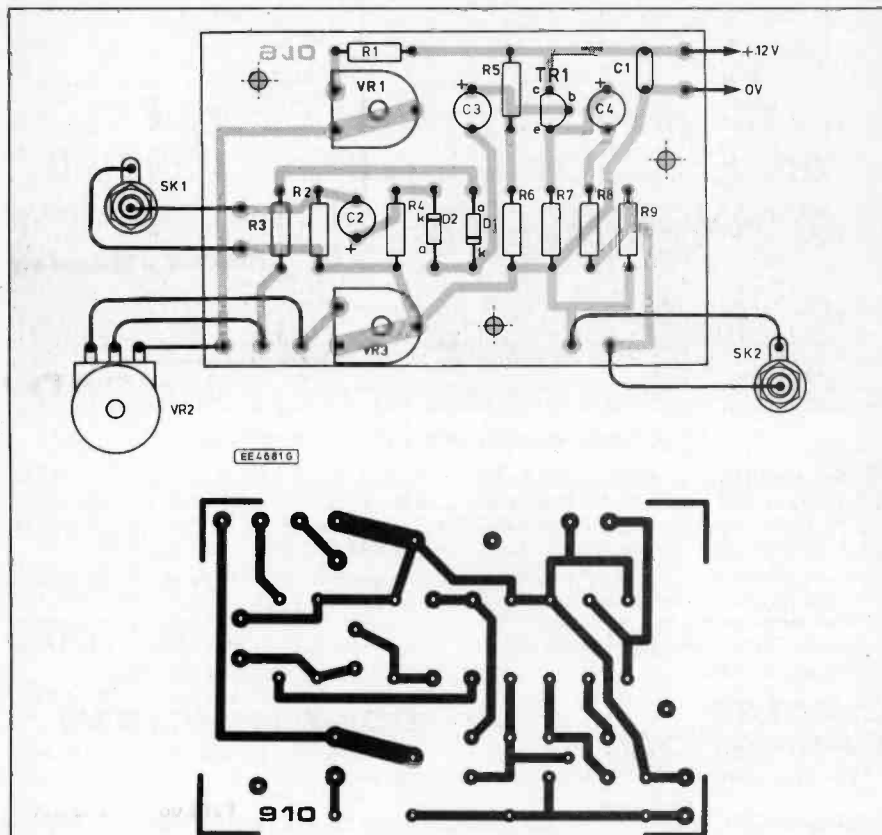
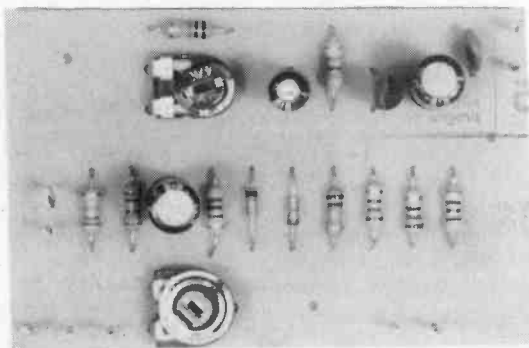


Fig. 3. Printed circuit board component layout and full size copper foil master for the Simple Fader. The completed board is shown below.



COMPONENTS

SIMPLE VIDEO FADER

Resistors

R1	10k
R2, R6	100k (2 off)
R3	22k
R4, R7,	
R9	560 (3 off)
R5	47k
R8	56

All 0.25W 5% carbon film

Potentiometers

VR1	47k min. preset, horizontal
VR2	47k rotary carbon, linear
VR3	10k min. preset, horizontal

Capacitors

C1	100n ceramic
C2, C4	100µ radial elect. 10V (2 off)
C3	4µ7 radial elect. 63V

Semiconductors

D1, D2	1N4148 signal diode (2 off)
TR1	BC547 npn silicon transistor

Miscellaneous

SK1, SK2 Phono socket (2 off)
Printed circuit board available from the *EPE PCB Service*, code 910; control knob; connecting wire; solder pins; solder etc.

See
**SHOP
TALK**
Page

Approx cost
guidance only

£8

IMPROVED VIDEO FADER

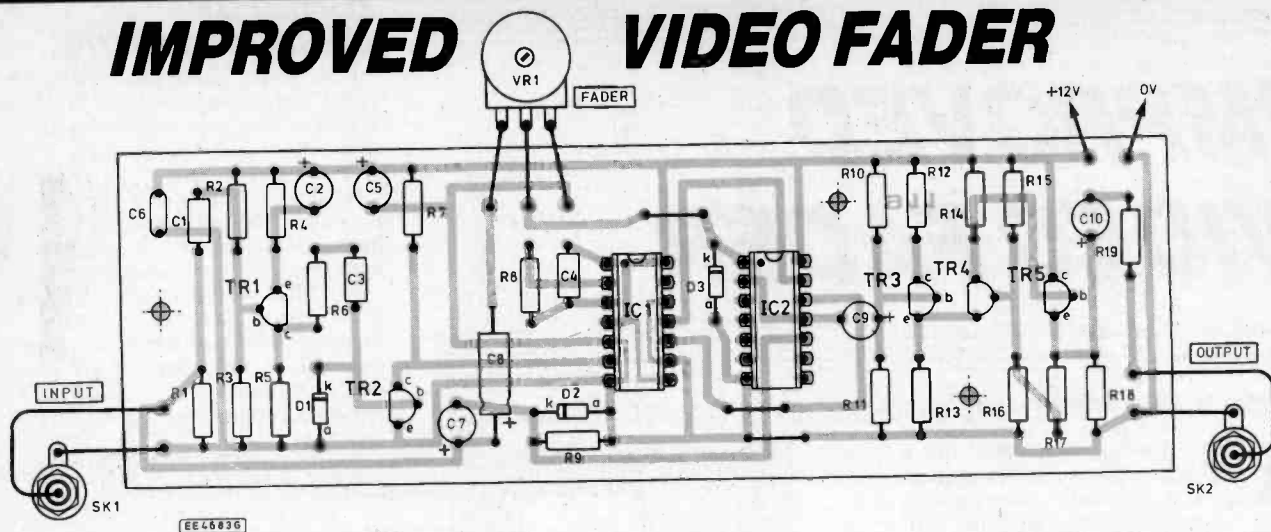


Fig. 6. Improved Fader printed circuit board component layout and (below) full size copper foil master pattern.

COMPONENTS

IMPROVED FADER

Resistors

R1, R18	470 (2 off)
R2, R3	47k (2 off)
R4	18k
R5, R7, R8, R12, R14, R17	4k7 (6 off)
R6	33k
R9, R13	1k (2 off)
R10, R11	22k (2 off)
R15	220k
R16	12k
R19	68

All 0.25W 5% carbon film

Potentiometer

VR1	1k rotary carbon, linear
-----	--------------------------

Capacitors

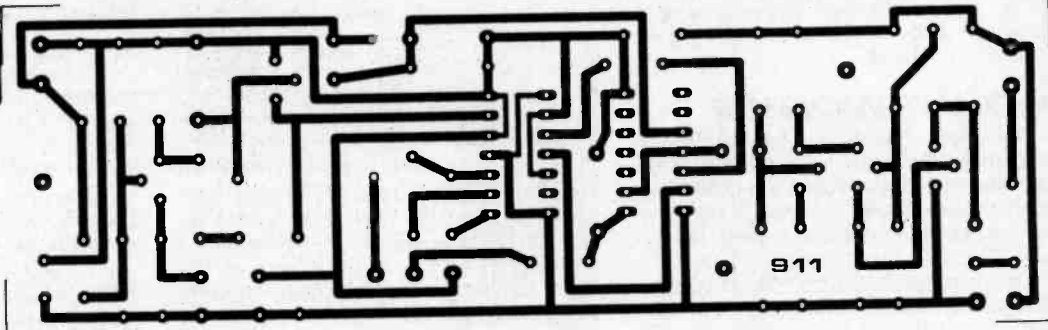
C1	220n polyester
C2, C9	10 μ radial elect. 25V (2 off)
C3	10n polyester
C4	1n polyester
C5	100 μ radial elect. 16V
C6	100n ceramic
C7, C10	100 μ radial elect. 10V (2 off)
C8	100 μ axial elect. 10V

Semiconductors

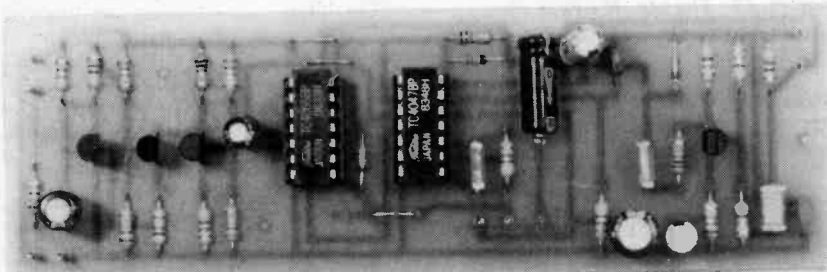
D1, D2, D3	1N4148 signal diode (3 off)
TR1	BC557 <i>pnp</i> silicon transistor
TR2, TR3, TR4, TR5	BC547 <i>nnp</i> silicon transistor (4 off)
IC1	4047BE CMOS timer
IC2	4016BE or 4066BE CMOS analogue switch

Miscellaneous

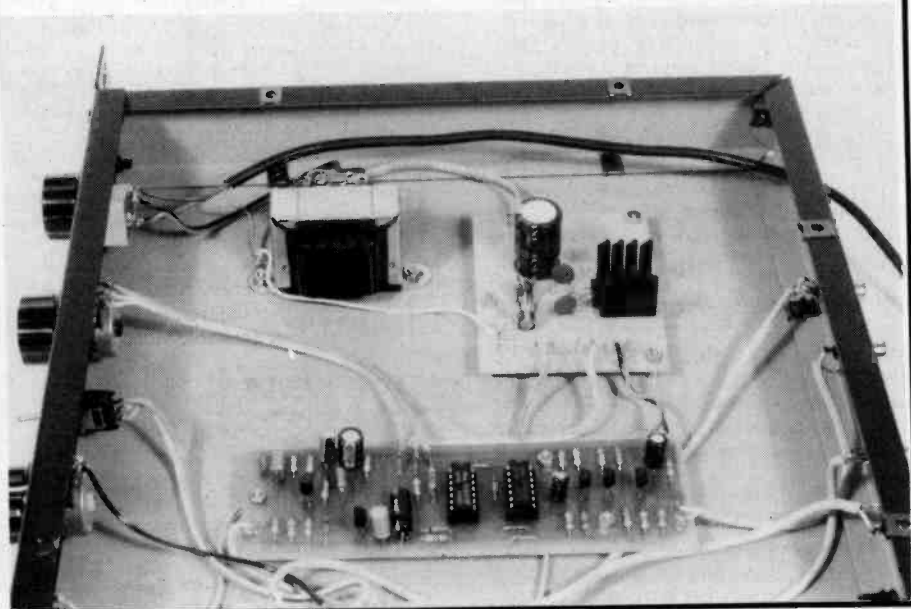
SK1, SK2 Phono socket (2 off)
Printed circuit board available from the EPE PCB Service, code 911; 14-pin i.c. holder (2 off); connecting wire; solder pins; solder etc.



See
**SHOP
TALK**
Page



(Above) Component layout of the completed circuit board and below positioning of the module inside the case. The other board shown is the system power supply.



Approx cost
guidance only

£12

is fed from the input via the Fader potentiometer (VR1). D2 and D3 are d.c. restoration diodes which avoid any tendency for a significant d.c. offset voltage to build up between the faded and non-faded signals.

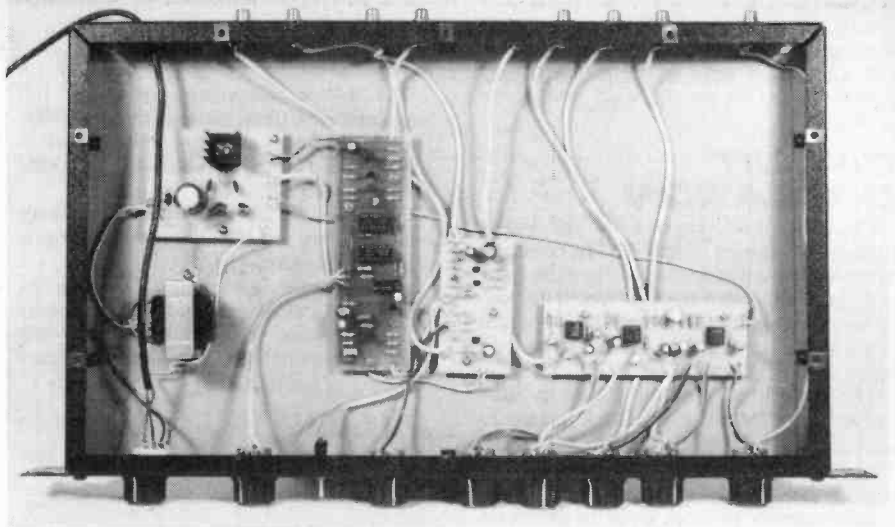
A PAL composite video signal has a bandwidth of a few megahertz. Frequencies as high as this tend to find their way around potentiometers due to stray capacitance, etc. In order to minimise this problem VR1 has been given a low value of one kilohm (1k). A higher value should not be used as this is the lowest value that will give good results.

Transistors TR3 to TR5 form a buffer amplifier which provides the circuit with suitable output characteristics. TR3 and TR4 operate as a so-called "long-tailed pair", and TR5 is an emitter follower stage. The current consumption of the circuit is a little under 25mA, and it is the output amplifier which accounts for the majority of the current drain.

CONSTRUCTION

Details of the printed circuit board component layout and underside copper foil master pattern for the improved Video Fader are shown in Fig. 6. This board is obtainable from the *EPE PCB Service*, code 911.

Construction of the board follows conventional lines, but remember that both the integrated circuits are CMOS types, and that they therefore require the standard anti-static handling precautions. Be careful to fit the diodes with the right polarity,



Layout of modules inside the controller case showing (left to right) power supply, fader, enhancer and audio mixer.

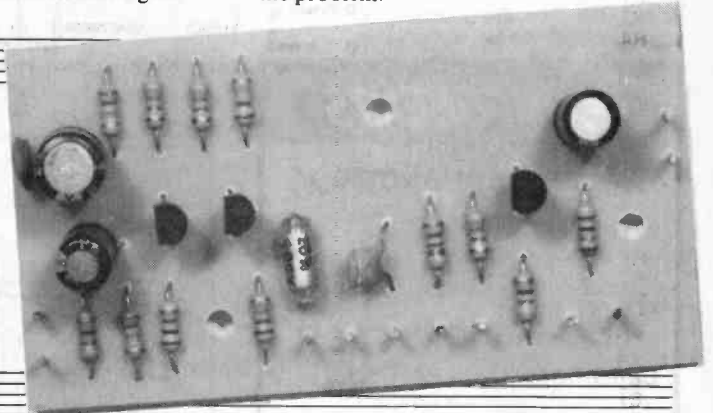
and do not overlook the three link-wires.

The small amount of hard wiring (between the off-board components and the p.c.b.) is also shown in Fig. 6. The only point to note here is that the wiring to VR1 should be reasonably short. The shorter this wiring, the smaller the stray capacitance in the wiring, and the flatter the frequency response that will be produced for the faded luminance signal.

TESTING

Testing the unit is just a matter of wiring it between a camcorder and a monitor, and then checking that the Fader control VR1 provides the correct fader action. It is possible (but unlikely) that a narrow band down the extreme left hand side of the picture will not be faded; reducing resistor R8 to 4k3 should cure the problem.

VIDEO ENHANCER



Boost picture definition with this simple module

MODERN video recorders and camcorders have quite high levels of performance, and are certainly a great improvement on the models produced some years ago. Picture stability in particular, is much improved these days. Due to improvements in the tape formulations, the video heads and the electronics, noise performance is also much improved.

The one respect in which little has changed, is the video bandwidth. Hi-band camcorders and video recorders having wider bandwidths and higher definition pictures are produced, but they remain relatively expensive.

A Video Enhancer (also known as a "crispener") is a device which gives high frequency boost to the video signal. This does not really produce a significant increase in the bandwidth of the signal, but the boost in the response at the highest frequencies produces higher contrast in any fine detail.

This gives an apparent improvement in the picture definition, and a sharper looking picture. This is really just an illusion, and a close inspection of the screen will reveal what is really happening. Of course,

the screen is normally viewed at a great enough distance to preserve the illusion.

Opinions vary regarding the best way to use a Video Enhancer. Some advocate using an enhancer when making an initial copy of a tape. Others prefer to use an enhancer only when playing back a tape. It is probably best to experiment a little to determine which method of operation you find the most acceptable.

It is not a good idea to use an enhancer when making a copy of a tape, and to then use it again when playing back the tape or making a further copy. This double enhancement would almost certainly produce an excessive peak in the frequency response that would give an unusable video signal.

SYSTEM OPERATION

A Video Enhancer can operate by simply applying a constant amount of high frequency boost, or by applying the boost dynamically. With the dynamic approach the signal is left unprocessed at low luminance levels, but high frequency boost is applied at middle and high levels.

This is achieved using a circuit which uses clipping, frequency response tailoring, and a phase cancelling process. This is something which is easily achieved at audio frequencies, but it is more difficult with the much wider bandwidth of a video signal. Getting the finished unit set up correctly, can be quite involved.

Experiments showed that a simple enhancer having a preset amount of high frequency boost can give quite good results. The circuit can be very simple indeed, and no setting up is required once the unit has been built.

The final design featured here is a Video Enhancer which does not use dynamic filtering, but it does permit good control over the boost characteristic. This enables the response to be tailored to suit the signal source in use, and to suit individual tastes. Although the high frequency boost is applied to both the luminance and synchronisation parts of the signal, the amount of boost used is too low to significantly degrade the synchronisation pulses.

This enhancer will work well with most video sources, but it cannot be recommended for use with a source that has a poor signal-to-noise ratio. Using any good

quality modern tape on a correctly adjusted recorder should give good noise performance, but the unit might not work well when used with old recordings, poor quality tapes, or an old and well worn recorder.

CIRCUIT OPERATION

The full circuit diagram for the Video Enhancer is shown in Fig. 7. The circuit is basically just an amplifier of the type used in some of the video circuits described previously. Transistors TR1 and TR2 operate as a long-tailed pair, and TR3 is an emitter follower buffer stage.

The voltage gain of the circuit is controlled by a negative feedback network. Resistor R10 is one arm of the feedback. The other arm is mainly comprised of the parallel resistance of R7 and R8.

This feedback network gives the circuit an overall voltage gain of approximately unity. However, at high frequencies the impedance of capacitor C4 is quite low, and some of the feedback is decoupled. This gives the required high frequency boost, with resistor R9 limiting the boost at very high frequencies to an acceptable level. Boost control VR1 can be used to further reduce the high frequency boost if desired.

The "Hi/Lo" switch S1 can be used to switch capacitor C5 into circuit in place of C4. As C5 has a value which is higher than that of C4, it starts to apply the boost at a lower frequency. This gives a stronger enhancement effect, but as before, VR1 can be used to reduce the amount of boost.

COMPONENTS

VIDEO ENHANCER

Resistors

R1, R11	470 (2 off)
R2, R3	22k (2 off)
R4, R6,	
R10	4k7 (3 off)
R5	1k
R7	120k
R8	12k
R9	2k2
R12	68
All 0.25 5% carbon film	

See
**SHOP
TALK**
Page

Potentiometers

VR1	22k rotary carbon, linear
-----	---------------------------

Capacitors

C1	100n ceramic
C2	10µ radial elect. 16V
C3, C6	100µ radial elect. 10V (2 off)
C4	47p polystyrene or ceramic
C5	100p polystyrene or ceramic

Semiconductors

TR1, TR2,	
TR3	BC547 npn silicon transistor (3 off)

Miscellaneous

S1	s.p.d.t. min. toggle switch
----	-----------------------------

SK1, SK2 Phono socket (2 off)

Printed circuit board available from the *EPE PCB Service*, code 912; control knob; connecting wire; single-sided solder pins; solder etc.

Approx cost
guidance only

£10

The current consumption of the circuit is about 15mA or so.

CONSTRUCTION

The topside component layout and full size underside track pattern for the Video Enhancer printed circuit board is shown in Fig. 8. This board is available from the *EPE PCB Service*, code 912.

Construction of this perfectly ordinary board is very simple. The hard wiring is also very straightforward.

However, the wiring to VR1 and S1 must be reasonably short, so that stray capacitance and inductance in the wiring does not significantly affect the frequency response of the unit.

IN USE

Once again, it is best to test the unit

by connecting it between a camcorder and a television set or monitor. With Boost control VR1 well backed-off in a counter-clockwise direction the Enhancer should have little or no noticeable effect. As VR1 is advanced in a clockwise direction the crisping effect should become apparent.

It will be most obvious on parts of the picture where there is high contrast, particularly if there is also some fairly fine detail. The effect should be noticeably stronger with S1 used to switch capacitor C5 into circuit in place of C4.

Interestingly, the crisping effect seems to work on parts of the picture that are slightly out of focus, giving an apparent increase in the depth of field.

Next Month: We provide details for adding horizontal and vertical "wiping" of the video picture.

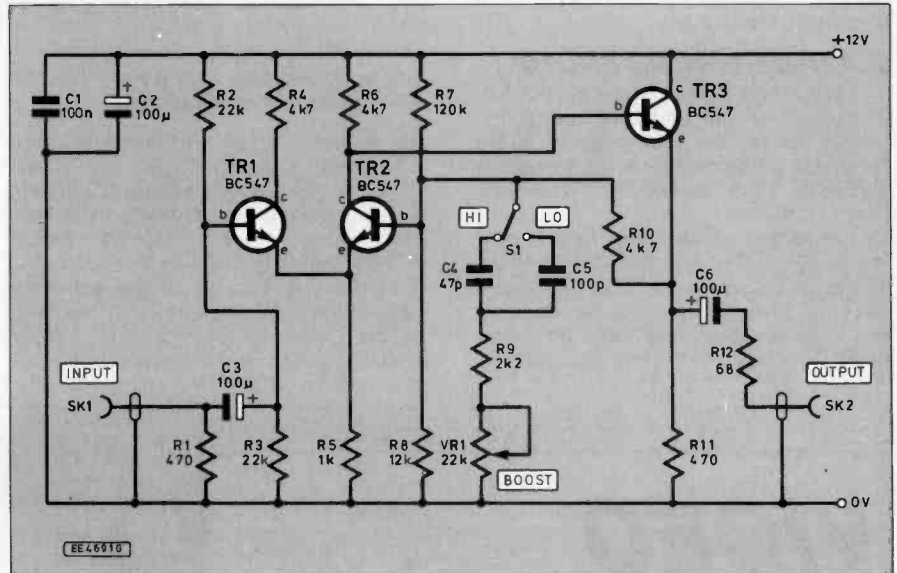


Fig. 7. Full circuit diagram for the Video Enhancer module.

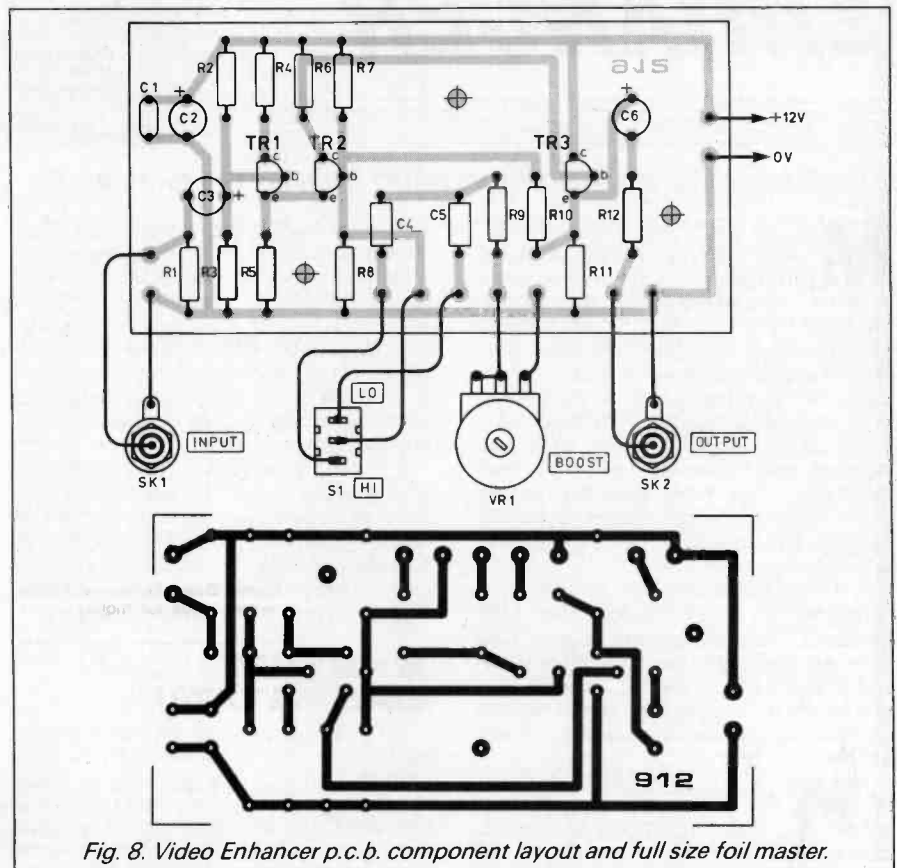


Fig. 8. Video Enhancer p.c.b. component layout and full size foil master.

HART

HART AUDIO KITS – YOUR VALUE FOR MONEY ROUTE TO ULTIMATE HI-FI

HART KITS give you the opportunity to build the very best engineered hifi equipment there is, designed by the leaders in their field, using the best components that are available.

Every HART KIT is not just a new equipment acquisition but a valuable investment in knowledge, giving you guided hands-on experience of modern electronic techniques.

In short HART is your 'friend in the trade' giving you, as a knowledgeable constructor, access to better equipment at lower prices than the man in the street.

You can buy the reprints and construction manual for any kit to see how easy it is to build your own equipment the HART way. The FULL cost can be credited against your subsequent kit purchase.

Our list will give you fuller details of all our Audio Kits, components and special offers.

AUDIO DESIGN 80 WATT POWER AMPLIFIER.



This fantastic John Linsley Hood designed amplifier is the flagship of our range, and the ideal powerhouse for your ultimate hifi system. This kit is your way to get £K performance for a few tenths of the cost! Featured on the front cover of 'Electronics Today International' this complete stereo power amplifier offers World Class performance allied to the famous HART quality and ease of construction. John Linsley Hood's comments on seeing a complete unit were enthusiastic: "The external view is that of a thoroughly professional piece of audio gear, neat elegant and functional. This impression is greatly reinforced by the internal appearance, which is redolent of quality, both in components and in layout." Options include a stereo LED power meter and a versatile passive front end giving switched inputs using ALPS precision, low-noise volume and balance controls. A new relay switched front end option also gives a tape input and output facility so that for use with tuners, tape and CD players, or indeed any other 'flat' inputs the power amplifier may be used on its own, without the need for any external signal handling stages. 'Slave' and 'monobloc' versions without the passive input stage and power meter are also available. All versions fit within our standard 420 x 260 x 75mm case to match our 400 Series Tuner range. ALL six power supply rails are fully stabilised, and the complete power supply, using a toroidal transformer, is contained within a heavy gauge aluminium chassis/heat sink fitted with IEC mains input and output sockets. All the circuitry is on professional grade printed circuit boards with roller tinned finish and green solder resist on the component ident side, the power amplifiers feature an advanced double sided layout for maximum performance. All wiring in this kit is pre-terminated, ready for instant use!

RLH11 Reprints of latest articles..... £1.80
K1100CM HART Construction Manual..... £5.50

LINSLEY HOOD 1400 SERIES ULTRA HIGH-QUALITY PREAMP

Joining our magnificent 80 Watt power amplifier now is the most advanced preamplifier ever offered on the kit, or indeed made-up marketplace. Facilities include separate tape signal selection to enable you to listen to one programme while recording another, up to 7 inputs, cross recording facilities, class A headphone amplifier, cancellable 3-level tone controls and many other useful functions, all selected by high quality relays. For full details see our list.

LINSLEY HOOD 'SHUNT FEEDBACK' R.I.A.A. MOVING COIL & MOVING MAGNET PICKUP PREAMPLIFIERS



Modern, ultimate sound systems are evolving towards built-in preamplifiers within or near the turntable unit. This keeps noise pickup and treble loss to a minimum. We now offer two units, both having the sonically preferred shunt feedback configuration to give an accurate and musical sound, and both having the ability to use both moving magnet and moving coil cartridges.

Kit K1500 uses modern integrated circuits to achieve outstanding sound quality at minimal cost. The very low power requirements enable this unit to be operated from dry batteries and the kit comes with very detailed instructions making it ideal for the beginner. K1500 Complete kit with all components, printed circuit board, full instructions and fully finished case..... £67.99
Instructions only..... £2.80
Kit K1450 is a fully discrete component implementation of the shunt feedback concept and used with the right cartridge offers the discerning user the ultimate in sound quality from vinyl disks. Can be fitted inside our 1400 Preamp, used externally or as a standalone unit. It has a higher power requirement and needs to be powered from our 1400 Series preamplifier or its own dedicated power supply. K1450 Complete Discrete Component RIAA Phono Preamp..... £109.58
Factory Assembled and Tested..... £159.58
K1565 Matching Audio Grade Power Supply with potted toroidal transformer and limited shift earthing system..... £79.42
Factory Assembled and Tested..... £118.42
U1115 Power Interconnect Cable..... £7.29

SPECIAL OFFER PRECISION Triple Purpose TEST CASSETTE TC1D.

Are you sure your tape recorder is set up to give its best? Our latest triple purpose test cassette checks the three most important tape parameters without test equipment. Ideal when fitting new heads.

A professional quality, digitally mastered test tape at a price anyone can afford.
Test Cassette TC1D Our price only £10.99

DISK-COUNT Classical CD's. Many New Titles This Month

Top quality, Full Digital (DDD) Compact Disks of the great classical favourites. Like everyone else we didn't like the idea of paying silly prices for CD's. After a long search we have now located a source of top quality classical recordings at prices that make you suspect the quality – until you try them! Send for our list of titles.

HART PCB SOLDERING PRACTICE KIT

Your chance to learn or try your soldering skills on a real Hart printed circuit board! This kit comes with a range of modern components, a typical Hart quality PCB, a roll of the correct grade of solder and your full learning guide. It enables the enthusiast who is uncertain of his, or indeed her, ability to put together and solder a printed circuit to try their hand first at minimum cost.

The instructions explain the right technique and guide even an absolute beginner through the seemingly daunting, but in fact very simple, art of making a good soldered joint.

The Hart Printed Circuit Board Soldering Practice Kit represents excellent value for money at only £4.99.

TECHNICAL BOOKSHELF

The Following are a Small Selection of the Books we Offer. Full Details are in our Free List.

"THE ART OF LINEAR ELECTRONICS", John Linsley Hood.

Just Out! Hot Off the Press, the definitive electronics and audio book by the renowned John Linsley Hood. This 300+ page book will give you an unparalleled insight into the workings of all types of audio circuits. Learn how to read circuit diagrams and understand amplifiers and how they are designed to give the best sound. The virtues and vices of passive and active components are examined and there are separate sections covering power supplies and the sources of noise and hum. As one would expect from this writer the history and derivation of audio amplifier circuitry have an entire chapter, as does test and measurement equipment.

Copiously illustrated this book is incredible value for the amount of information it contains on the much neglected field of linear, as opposed to digital, electronics. Indeed it must be destined to become the standard reference for all who work, or are interested in, this field.

SPECIAL OFFER. With each book purchased you may request a FREE extended index, written by the Author, exclusively from HART.

0-7806-0868-4 £16.95

Don't forget most of our kits have reprints of articles by John Linsley Hood that you can purchase separately.

"TOWERS' INTERNATIONAL TRANSISTOR SELECTOR"

This will give you the specification, pin connections, case outline, manufacturer, equivalents and substitutes for over 27,000 European, American and Japanese transistors. Latest update 4 offers over 2,000 new entries plus surface mount cross index. 1990 432 Pages. 247 x 173.

0-572-01062-1 £19.95

"DIGITAL AUDIO AND COMPACT DISC TECHNOLOGY"

2nd Edition. Baert, Theunissen and Vergult. (SONY Europe).

A thoroughly well written book covering the whole field of recording media starting with the Phonograph right through to modern professional PCM digital recording systems with particular and extensive coverage on the compact disc. All aspects of the recording and reproduction processes are explained with separate chapters on such things as compact disc encoding and the use of cross interleave Reed-Soloman error correction code (CIRC). This book is of course essential reading for engineers and students involved in the field but its very low prices makes it ideal for the enthusiast of recorded music who wants to know more about the hidden processes going on in his CD player. 1992/94 248 Pages. 247 x 190.

0-7506-0614-2 £17.95

INTRODUCING DIGITAL AUDIO CD, DAT AND SAMPLING

2nd Edition. Ian R. Sinclair.

For enthusiasts, technicians and students. Covers CD and DAT, Philips DCC and Sony Mini Disc, the digital techniques involved are explained non-mathematically.

Digital audio involves methods and circuits that are totally alien to the technician or keen amateur who has previously worked with audio circuits. This book is intended to bridge the gap of understanding for the technician and enthusiast. The principles and methods are explained, but the mathematical background and theory are avoided other than to state the end product. This second edition has been updated to include sections on oversampling methods and bitstream techniques. The opportunity has also been taken to add a glossary of technical terms. 1992 168 Pages. 217 x 138. 64 line drawings. ISBN 1870775 22 8 £7.95

"THE ART OF SOLDERING", R. Brewster.

Absolutely essential reading for anyone who ever picks up a soldering iron. Written from knowledge gained in a lifetime in the field, this is the first book ever solely devoted to this essential and neglected skill for all electronic enthusiasts. Covers everything from the correct choice of soldering iron and solder to the correct procedures to follow with many illustrations and practical exercises.

0-85935-324-3 £3.95

"HOW TO USE OSCILLOSCOPES & OTHER TEST EQUIPMENT"

R.A. Penfold, 112 pages. 178 x 111. Publ. 1989.

BP267 £3.50

Postage on Single Books is £1.50 except for The Art of Linear Electronics, Digital Audio and Compact Disc Technology and The Towers International Transistor Selector which are £3.50. Two, or more, books are only £4.50, any size, any quantity.

Send or phone for your copy of our FREE List of these and many other Kits & Components. Enquiries from Overseas customers are equally welcome, but PLEASE send 2 IRCs if you want a list sent surface post, or 5 for Airmail.

Ordering is easy. Just write or telephone your requirements to sample the friendly and efficient HART service. Payment by cheque, cash or credit card. A telephoned order with your credit card number will get your order on its way to you THAT DAY.

Please add part cost of carriage and insurance as follows:—INLAND Orders up to £20 - £1.50,

Orders over £20 - £3.50. Express Courier, next working day £10.

OVERSEAS - Please see the ordering information with our lists.



QUALITY
AUDIO KITS

24 hr. SALES LINE
(0691) 652894

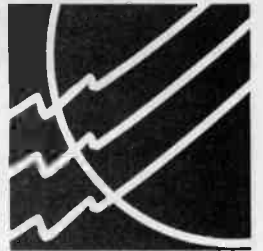
ALL PRICES
INCLUDE
UK/EC VAT

HART

HART ELECTRONIC KITS LTD
6 PENYLAN MILL
OSWESTRY, SHROPSHIRE
SY10 9AF



CHICAGO - CONSUMER ELECTRONICS SHOW



Barry Fox reports on developments from the annual Chicago Exhibition.

THIS year's *Consumer Electronics Show* in Chicago was, as many had predicted after last year's event, the last. Next year the show changes its name to *CES Interactive* and switches site to Philadelphia. The change and move is to accommodate the companies that are now the backbone of the event, the manufacturers of video games, computing and multimedia.

PROMISES PROMISES

In the 25 years of 50 shows (summer in Chicago, winter in Las Vegas) we have seen the launch of products like stereo TV, the VCR, camcorder and CD, which have gone on to become essential household luxuries. We have seen products like DAT (the digital audio tape format), VHD and CED (JVC's and RCA's capacitance video discs) that never succeeded commercially as a domestic product. We have seen promises which could not be kept, like 45 minutes of CD quality stereo on an ordinary floppy disc, and LVR, the linear video recorder which ran tape in a loop at high speed.

We have seen promises kept by those who did not make them, like the revolution in home computing and video games started by Texas Instruments, Commodore and Atari, but now hijacked by Sega, Nintendo and the IBM clone-makers. Most recently we have seen promises by people who may or may not be able to keep them, like the revolution in home digital audio recording promised by Sony with Mini Disc and Philips with the Digital Compact Cassette.

The Las Vegas Winter *CES* will continue, because there will always be some new developments in audio and video, but most of the electronic industry's effort now goes into exploring the new fields of multimedia and interactive gameplay, where there is far more room for genuinely new ideas. The consumer does not need or want a new VCR format, but will buy a new games system if it brings arcade quality into the living room.

NAME OF THE GAME

The video games industry is now worth \$15 billion a year. Nintendo has sold over 30 million SNES (Super Nintendo Entertainment System) games consoles round the world. In the US 40 per cent of all homes now have one. Nintendo has sold 100 million games cartridges featuring its character Mario, the plumber. Nintendo's main rival, Sega of Japan, is fast catching up on Nintendo and has now sold 13 million consoles for its Genesis or Mega system.

Traditionally most games are developed for use in complex consoles installed in amusement arcades, and after a few years are modified for domestic use. But game players now expect



Howard Lincoln, US Chairman of Nintendo, predicting "a golden age of video games" at the opening address of the CES.

more from their home systems, with graphics and game complexity which match arcade quality.

Significantly, the keynote speech which traditionally opens every *CES* was this year given by Howard Lincoln, US Chairman of Japanese games giant Nintendo. Breaking the unwritten rule of not using a keynote speech to plug a product, Lincoln unashamedly plugged Nintendo's new Donkey Kong 16-bit SNES game, before plugging Nintendo's plans for Ultra 64 (previously code named Project Reality). This is a 64-bit cartridge games system which Nintendo developed with computer graphics specialist Silicon Graphics and will launch into arcades this autumn, and homes a year later.

Lincoln compared the current video games market to Hollywood in the 1920s. "We are now in the golden age of video games", he declared, going on to predict that there will eventually be a games awards ceremony comparable to the Oscar Academy Awards for movies.

Lincoln also put up several propositions which he described as "popular technology myths", and proceeded to shoot them down. His main theme centred on the myth that "the first technology to the market does not necessarily win".

He seemed rather surprised to be asked afterwards who had actually said that "the first technology on the market wins" and could only fumble with vague references to Sega and 3DO.

Philips was splashing CD-i at Chicago, both in the consumer electronics hall alongside 3DO and Panasonic, and also in the games hall alongside Sega, Nintendo and Atari. Philips says it is still on track to have sold a million CD-i players by the end of this year. Panasonic's 3DO player is selling well in Japan, but slowly in the USA. 3DO and Panasonic claim they are now ready to launch in Europe, with PAL players, this autumn.

3DO's games software is now catching up with the company's previously over-ambitious promises. 3DO claims faster games play, by running the CD at twice the normal speed. One game under development, *Demolition Man*, blends sequences from the feature film of the same name with computer graphics and close up movie shots of Sylvester Stallone photographed specially for the game.

But CD-i remains well ahead with sales-ready software. In the USA Philips has now launched a second generation CD-i player, the 450, which is around half the size of previous players and costs only \$299, despite being bundled with around \$200 worth of free software.

Korean companies Samsung and Goldstar have already com-



Selection of discs for the 3DO Interactive Multiplayer system.

mitted to CD-i and are now hedging bets with 3DO players as well. Sanyo also promises to sell a 3DO player.

The latest batch of Digital Video CD-i feature movies have been mastered to the new White Book standard, so that as well as playing on a CD-i player, they should also play on any other format player when fitted with an MPEG standard Full Motion Video decoder. Despite using the same data rate (1.4 MBit/s) as an audio CD, FMV CDs now deliver picture quality which matches or betters VHS tape, and digital stereo sound which matches CD.

CD-i game Seventh Guest recently topped the CD-based games chart in the UK. This game, about a haunted house, combines MPEG digital video sequences with computer graphics on the same five inch disc.

Mad Dog McCree, a shooting game originally developed for use in amusement arcades, has now been modified for use on domestic CD-i players. The arcade version uses a 12 inch analogue Laser Disc to display moving video pictures of cowboys, while a games computer superimposes graphic images on the same screen and controls the Laser Disc player. As the user shoots at cowboy villains with an electronic gun, the LD player displays live action motion sequences which show the victims falling over. The CD-i game uses MPEG digital video to put both the live action video and computer graphics on the same five inch CD. MacCree on CD-i now awaits only bulk supplies of the electronic gun controller that will be bundled with the games disc.

PC GAMES

The PC games market remains buoyant, but industry insiders wonder for how long the bubble can go on growing. Incompatibility between different ROM drives, sound cards, PCs and software set-ups is driving more and more consumers to return ROM games in disgust and demand a refund. Both 3DO and Philips are planning to sell plug-in circuit boards which will convert a PC into a 3DO or CD-i player. The aim is to bring plug-and-play simplicity to the PC games world.

When fitted with an MPEG decoder, the same boards will play FMV digital Video CDs. But a compatibility issue could bedevil this plan. The agreed standards for FMV on CD-i or Video CD call for a CD-ROM drive which can read a type of ROM disc known as Mode 2/Form 2, at a sustained data rate of at least 170 kilobytes/second. Most top end ROM drives currently on the market can achieve this transfer speed or higher, but only with Mode 1 or Mode 2/Form 1 ROM discs. This is because Mode 2/Form 2 CDs rely on error correction performed inside the player. This slows the data transfer so the result is juddery pictures and stuttering sound from Video CDs.

So far only one manufacturer, Sony, has modified a ROM drive (the 33a) for discs of 2/2 type. This is why Sigma Designs, manufacturer of the ReelMagic MPEG decoder board for PCs, sells an "upgrade kit" which bundles the board with a Sony drive.

Philips now accepts that most of the millions of ROM drives already sold to PC users will need modifying, and in most places replacing, before they will work with the new PC boards. So Philips may sell its CD-i board only as part of an upgrade kit, bundled with a ROM drive which has been designed to be Video CD compatible.

NO RISC

The first video games, shown at CES nearly two decades ago, relied on an 8-bit computer in the console to work with control code stored in a Read Only Memory cartridge. Both the Sega and Nintendo games now use 16-bit computer chips to resolve more detail in the graphics on screen and manipulate moving objects faster. The ROMs are mass produced like computer chips, by photolithographic masking. This limits their storage capacity and even the most complex games, like Streetfighter, must make do with 24 or 32 Megabits of code, which is equivalent to 3 or 4 Megabytes of computer data or a similar number of floppy discs. The masked ROM cartridge costs up to \$10 to manufacture, and cannot be re-used for another game if it does not sell well. Sega and Nintendo control manufacture and impose a very high royalty, up to \$10 per cartridge. This must be paid at the time of manufacture, and is not refunded if the cartridge remains unsold.

Philips was first to use a standard 12cm CD to store multimedia code for CD-i. One single-sided disc can store over 600 Megabytes of data and costs less than \$1 to press. Philips originally developed CD-i as a tool which blends education and entertainment. But "edutainment" did not sell well and Philips is now promoting CD-i as an advanced games machine which can emulate arcade systems.

Philips charges no extra royalty on CD-i games. All a developer has to do is pay \$5000 for a licence to make any number of discs and games and then pay the same small royalty (three US cents on every disc pressed) that Philips charges for audio CDs. Industry insiders believe Philips could have won more software support for CD-i if the company had done a better job of publicising its no-royalty policy. 3DO promotes the fact that it charges only \$3 per game.

Sega also sells a CD player which connects to its existing 16-bit console, but the system does not exploit the full interactive potential of the disc. Now Sega has demonstrated first prototypes of a new games system, to be called 32X. This uses two 32-bit RISC (reduced instruction set computing) microcomputers made by Hitachi, to give a processing speed of 40 MIPS (40 million instructions per second) and so make the graphic images on screen move more smoothly. The new 32X games can be stored either on cartridge or CD, depending on their content. The new 32X consoles will play old 16-bit games as well as new 32-bit cartridges and discs.

Later this year Sony will launch its own new games system, called Playstation. This also uses CDs as the data store, but will be incompatible with all other systems. Sony has been working with semiconductor manufacturer LSI Logic to integrate all the 32-bit RISC processing, graphics control and compressed video decoding circuitry onto a single chip. Sony claims processing speeds of up to 200 MIPS. Sony will demand a royalty of around \$8.50 on each disc pressed.

SOLID APPROACH

While all others turn to CD as a storage medium, Nintendo is sticking with solid state cartridges. Nintendo's next games system, previously code-named Project Reality and now called Ultra 64, has been jointly developed with Silicon Graphics, the computer company which specialises in industrial virtual reality systems and special effects for the movie industry. SG created the dinosaurs for *Jurassic Park* and made characters metamorphose in *Terminator 2*.

Nintendo says that although CDs can store large quantities of data, very cheaply, they suffer from slow access times which limit the speed of the gameplay. The data on a CD is recorded as a continuous stream so the laser must first find where the required section is stored, then move over it and wait for the spinning disc to bring the start of the data block to the correct position. Even if the player spins the disc at twice normal speed (as in the 3DO system), says Nintendo, access time for solid state storage is still a hundred times faster than for CD.

Ultra 64 will use 64-bit RISC processors running at 80MHz, which is as fast as the best office PC, and transfer bursts of data from the cartridge at 400MBytes/second. Nintendo claims that the vital trick, played by SG's custom chip set, is to store only key graphics images in the cartridge and rely on intelligence in the console to manipulate them. For example the cartridge stores the image of a hand, as a three-dimensional model, and the console then works like a virtual reality station to move the the position and perspective of the hand on the fly to suit the game play. This contrasts with the CD-based systems which store pre-processed animation on the disc and retrieve and display it as needed.

The latest game from Nintendo.



Nintendo will launch Ultra 64 as an arcade system this autumn, and as a consumer console a year later. The company pledges a consumer price of "under \$250", with game play and graphics which are identical to the arcade version.

At private demonstrations given by Nintendo at Chicago, they showed prototype Ultra 64 systems and two games. One lets a driver race at high speed down surprisingly realistic roads, dodging or hitting traffic. The developers drove round San Francisco, with a video camera in a car, and then used the taped images to generate graphics for manipulation. The other game simply introduces more realism and fluidity of motion into yet another combat challenge. Animated characters fight to the death, with much vertical jumping into the air, summersaulting and slashing each other with vicious swords.

Perhaps this is what Howard Lincoln meant by the golden age of video games

ON THE MOVE

As if to reinforce the EIA's decision to scrap the summer CES, only Thomson (with its USA brand RCA) and Philips (with its US brand Magnavox) were showing any traditional consumer audio, video and TV hardware. But Thomson's TV sets and VCRs played second fiddle to the company's main splash on its DSS satellite system, and Philips was majoring on CD-i. Panasonic was present only to show its 3DO player.

Sony did not officially exhibit at the show, hardening industry belief that both Sony and Philips now tacetly acknowledge that the market is not yet ready for a new digital home recording system. CD sales show no signs of flagging as early as previously predicted and the conventional analogue cassette remains the best bet for inexpensive music on the move. Even big name companies, like Sanyo, can now sell a stereo cassette player for under \$15 or £10. And a new generation of CD players, like Sanyo's CDP-67, has a memory buffer which lets them play on the move, without skipping, like Mini Disc.

Although the main thrust of Philips stand at Chicago was on CD-i, the company staged a surprisingly strong show of DCC. Most interesting, the DCC-170 portable both records and plays back, and is reassuringly small, with two hours of recording time and three hours of playback time from its NiCad rechargeable batteries.

Although Sony has understandably played it down, Mini Disc can only provide jog-free playback, not recording. The buffer memory can only work on data which has already been stored. If the MD unit is jogged during recording, it skips. This makes the system useless to broadcasters or anyone wanting to make recordings with a handheld or pocket unit. Because DCC is a tape-based system, it can withstand jogs during recording as well as during playback.

At Chicago I tried shaking the DCC-170 violently, during playback, and it carried on working with no audible effect. This suggests that the 170 would be equally robust during recording. If so broadcasters will be able to use it as a portable tool, instead of their existing Sony Pro-Walkman analogue cassette or DAT units. For dubbing and editing the digital optical socket on the rear of the 170 cleverly doubles as an analogue line output socket.

It is a pity that the Philips' literature does so little to emphasise the benefits of jog free recording; it is also confusing and may mislead people into believing that the DCC-170 only has a digital output.



The Philips DCC-170 passed the Fox treatment with flying colours.



The Sanyo CDP-67 "anti-shock" CD player.

STAR WARS II

In a *déjà vu* re-run of what happened in the UK five years ago, two broadcasting consortia in the US, DirecTV and Primestar, are offering rival digital satellite services. Both claim to be first in the world to transmit digital video direct into consumers' homes. They use different transmission technology, and different satellites, so the two systems are completely incompatible and must now fight to the death for survival of the fittest.

The British struggle ended when BSB collapsed into merger with Sky, and had to abandon its high-priced, high-tech technology in favour of Sky's much cheaper, lower-tech approach. The US rivals are making the same mistakes as their British forerunners, expecting consumers to pay high prices for pioneering technology and promising that it is "easy" for amateurs to install their own satellite aerials.

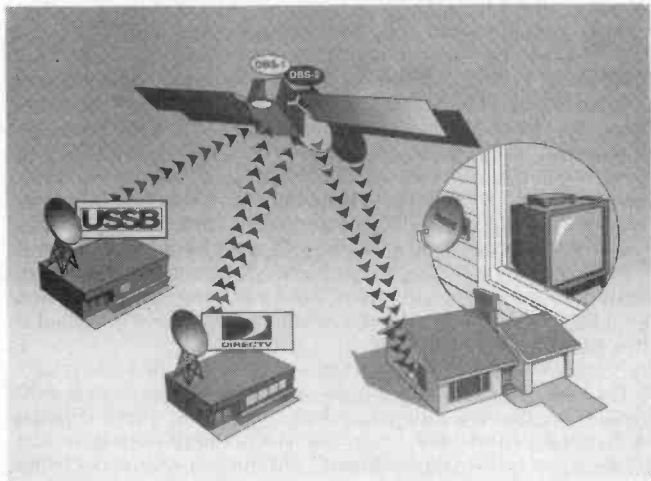
DirecTV is owned by aerospace giant, G M Hughes Electronics, and backed by RCA (the US subsidiary of French company Thomson Consumer Electronics) with extra entertainment programming provided by USSB (United States Satellite Broadcasting). Thomson makes the receivers in the US and labels them DSS, short for Digital Satellite System.

Primestar is backed by six cable stations, including Tele-Communications Inc, Cox Cable Communications and Time Warner. General Instrument makes its receivers.

DirecTV will use two satellites made by Hughes to deliver 150 channels of digitally compressed video entertainment, direct into the home. One satellite is already working, and the second was due for launch in July. Primestar is broadcasting 35 channels from transmitters it has leased on the *Satcom K-1* communications satellite, and will lease more soon to double the number of TV channels.

Although both systems rely on data compression to squeeze at least four digital TV channels into the transmission bandwidth needed for one analogue channel, they use different and incompatible technology.

Primestar uses the DigiCipher system developed by GI in



The Direct TV system uses two satellites to deliver 150 channels of digitally compressed video entertainment.

1990, before the electronics industry's Moving Picture Experts Group had agreed its MPEG compression standards. DSS uses the MPEG-1 standard, which is intended for digital video discs, but at much higher data rates (up to 6MB/s for DSS instead of 1.4MB/s for CD). Both DirecTV and Primestar say they will change to the higher quality MPEG-2 standard next year when the necessary encoding equipment is ready. Although this could build a compatibility bridge between the rival receivers, the two services will still not work together. They use different encryption systems to scramble their programmes.

There can be no compatibility between reception aerials, either. The Hughes and Satcom satellites are at different positions in geostationary orbit, so one dish cannot receive from both at the same time. DirecTV's transmitters run at high power, pumping out 120 watts for each channel. So viewers need use only small dishes with DSS receivers, around 45cm in diameter. Primestar broadcasts from the *Satcom K-1* communications satellite, which has 50 watt transmitters. So viewers need a large dish, around 100 cm, to receive Primestar's weak signals.

Just as happened in the UK, between BSB and Sky, DirecTV and Primestar are now squabbling publicly about dish size and digital technology. Following BSB's high tech role model, RCA published pictures unfavourably comparing the size of Primestar's dish aerial with its own. Under the headline, "DBS without the BS", Primestar responded in Sky's style, "We don't sell technology, we just bring people the television programming they want to see. They don't care about algorithms, data compression or any of the whiz-bang stuff that is the talk of this new industry."

Watching either system is not cheap. In the style of British TV and VCR rental, Primestar leases receivers with free installation (at least initially) and service. But Primestar charges a minimum of \$1 a day depending on how many entertainment channels the viewer wants to watch. When the viewer stops paying, the receiver is taken away.

RCA sells DSS receivers and aerials outright. The basic hardware costs between \$700 and \$900, plus around \$150 for dish installation. Although RCA says DIY installation is "easy", the British experience teaches that most people find it much easier to pay a professional installer, than learn how to secure and align a dish from the top of a ladder. Because Hughes' satellites do not carry terrestrial services, if viewers want to watch the national TV networks they must either install a terrestrial TV aerial or pay another \$10 a month to a cable station.

Depending on what channels viewers want to watch, DSS subscriptions cost between \$6 and \$57 a month, with pay-per-view movies an extra \$3 each. These are broadcast using a technique called NVOD, or Near Video On Demand. The same movie runs simultaneously on four channels, at intervals staggered by 30 minutes. So the viewer is always within half an hour of the start. A smart card in the receiver controls viewing, stores a record of pay-per-view movies watched, and automatically sends data down the viewer's home telephone line to a billing station during the night.

Despite the high cost, Joseph P Clayton, Executive Vice-President of Thomson Consumer Electronics, says DSS is the "dawning of a new era in home entertainment, overshadowing the earlier introductions of colour television and the VCR".

Clayton predicts sales of over 200,000 DSS units by the end of this year, with 10 million household receivers in homes by the year 2000.

Receivers initially went on sale only in two towns, Jackson, Mississippi and Shreveport, Louisiana. The first batch sold out immediately, with many receivers bought by rival electronics companies anxious to pry into the digital technology.

DOWN TO EARTH

Back down to earth, US company Starsight has effectively re-invented the European teletext system, to provide on screen programming and timer control of a VCR. Like teletext, Starsight transmits data in the Vertical Blanking Interval, but unlike teletext it relies on the TV set storing the data in memory. This lets the system provide very rapid access to a week of television programme listings with programmes sorted by time, title or theme.

Enhanced stereo sound systems, such as Q Sound and SRS, work by adding artificial phase shifts between the left and right channels, to widen the stereo effect. The hi fi fraternity has given these systems the thumbs down and they are now being used to trick up the sound of video games.

One exhibitor was offering people the chance to listen to TV sound, without watching the pictures. The trick is to receive the TV sound on a TV tuner, and then re-transmit it on a V.H.F. frequency to a car or portable f.m. radio. Although a neat idea, this is likely to fall foul of the law in the UK.

The Noisebuster, from Noise Cancellation Technologies of



TeleWatch cordless telephone and personal intercom.

Stamford, is a low cost anti-sound unit. The user wears headphones, which connect to a portable unit, rather like a Walkman personal stereo. This unit has a microphone which analyses any continuous background sound, and generates a mirror image which is in exactly the opposite phase, and thus cancels it out. So the user hears less background noise, but conversation through the microphone comes through loud and clear. (*Sounds a bit like Robert Penfold's "Experimental Noise Cancelling Unit" (Aug. '94) - Ed.*)

At around \$150, the Noise Buster is suggested for anyone travelling in a plane, bus, truck, train or boat, operating a weed whacker(?), working in a noisy home or office or using a multimedia computer.

MicroTalk Technologies promises a telephone wrist watch. Actually it is a cordless telephone, that works with a base station. The watch is decidedly bulky, and perhaps wisely the company has not yet fixed even a ballpark price.

The "Sales Appeal" is a new idea for the passive infra-red sensors now widely used in burglar alarms, and to switch on security lights when any hot animal body approaches. The Sales Appeal connects a PIR to a solid state digital recorder, which can store a 20 second message. Supermarkets will put the units alongside special offers. Whenever an unwary customer approaches, the PIR will sense their presence, and chirp out a greeting like, "Did you see our special offer on cornflakes?"

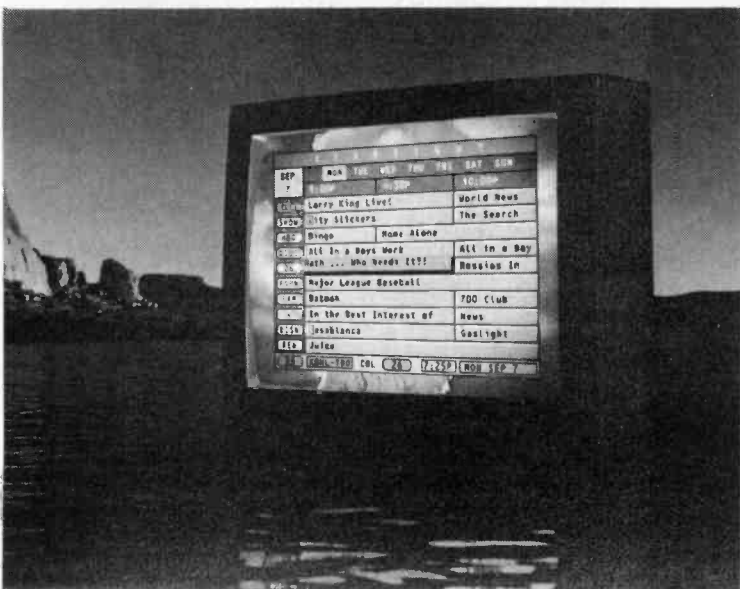
What promised to be the most intriguing event of the show failed to materialise. For the last three years start-up company EMC 2 (now EMC 3) has been promising a new kind of VCR which will work in conjunction with any broadcaster who transmits digitally encoded video programmes at high speed, so that a hundred minute movie is broadcast in just a few minutes. The EMC 3 VCR will tape the high speed transmission, and then replay at slow speed, to recreate the full running time.

Despite many promises, no-one has yet seen an EMC recorder playing this clever trick. The advance notices for the Chicago show listed EMC 3 as staging a press conference. Although the press turned up, EMC 3 did not. Later the EIA organisers confirmed that the booking had been firm. Back in London, I telephoned the "contact person" listed on the advance note of the press conference which never took place.

"We are sorry", said a recorded announcement, "but the number you have called has been disconnected or is no longer in service".

Draw your own conclusions. Back to the drawing board?

On-screen programming of the video is possible using Starsight.



ACTIVE GUITAR TONE CONTROL

JOHN CHATWIN

Be active, set the right image and "turn up the volume" on the quality of sound from your guitar.

MOST guitar tone controls are "passive", which simply means that they filter away parts of a signal. This is fine if what is going into the filter is of a reasonable quality to start off with. However, many cheaper electric guitars and basses have a pretty poor basic sound, and using a tone control that takes away from what little there is, usually just makes for a "muddier" signal.

The tone control circuit described here is "active". Instead of just taking frequencies away, it can be used to "boost" and "cut" areas of sound, allowing for a much wider range of tonal colours.

The circuit is not limited only to electric guitars. It will handle just about any audio input and could be used as an add-on unit to improve the versatility of amplifiers and PAs. On its own, it forms an ideal input stage for driving a power amp and could form the basis of a simple practice amplifier.

CIRCUIT DESCRIPTION

The circuit diagram for the Active Guitar Tone Control is shown in Fig. 1.

The design is based around a TL072 dual low noise op.amp. This type of i.c. being chosen because it gives a good range of performance and is still relatively cheap. An ultra low noise op.amp like the 4227G could have been used, but at this level of design, not a great deal of improvement would be noticed.

Signals enter the circuit via the input capacitor C1 and are amplified by op.amp IC1a. This is wired as an inverting amplifier with potentiometer VR1 controlling the amount of negative feedback, and therefore the gain. Actual gain can be found by dividing the value of VR1 by the value of resistor R1, which in this case gives a maximum gain of 10, which is equal to 20dB.

Potentiometer VR1 can be used to match the circuit to various types of input, from small signal sources such as guitars and microphones, to much higher levels from tape decks or pre-amps.

The amplified signal from IC1a is coupled to the next section of the circuit via capacitor C3. This is the actual tone control, and consists of a standard Baxandall arrangement for bass and treble cut and boost.

It consists basically of two filters connected in parallel, a high pass for the treble, and a low pass for the bass. With both control potentiometers in mid-track position the circuit will have a flat response. The filter section has little gain, and needs the boost given by op.amp IC1a if low level signals are involved.

The output signal is taken from IC1b pin 7 via capacitor C8. Power for the circuit can be from around 6V to 15V, so a PP3 type battery is ideal if you want to build the tone control into a small effects style case.

Resistors R2 and R3 form a voltage divider that provides a mid-point for the non-inverting inputs of the op.amps. Capacitors C2 and C9 are essential even if batteries are to be used. They become even more important if a mains power supply unit is connected since they decouple the power rails and help to reduce ripple and hum.

CONSTRUCTION

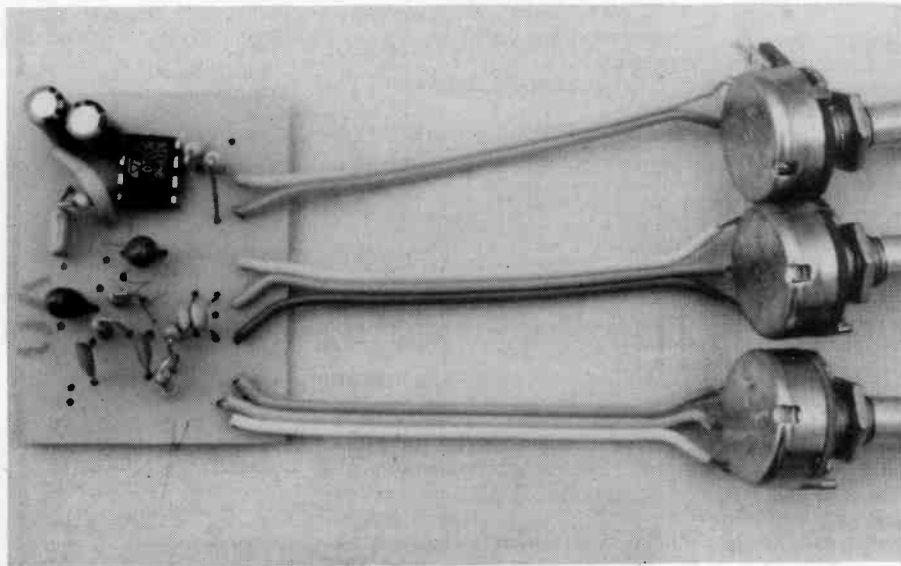
The printed circuit board (p.c.b.) component layout and full size copper foil master pattern are shown in Fig. 2. This board is available from the *EPE PCB Service*, code 907.

There should be no problem assembling the p.c.b. if you take the usual precautions and check everything at least three times! Assemble the components in order of resistors, i.c. socket, and then the capacitors.

You can use the unit either as a stand alone effect in its own case or fitted inside a guitar or bass. The latter, though, may require three extra holes to be drilled for the control pots, and might not be a good idea if your guitar is at all valuable to you. A stereo jack can be used in place of the regular mono one, so that overall on/off switching can be achieved when a mono guitar lead is plugged in, shorting across the first two terminals and connecting the battery to the negative supply rail.

Two pads have been left on the p.c.b. so that the switch and battery clip negative lead can be joined. A d.p.d.t. switch is used to bypass the circuit when in use. See the wiring diagram Fig. 3.

However you may decide to use the circuit, pay attention to screening as this can make a lot of difference to the levels of noise that it produces. It is also worthwhile experimenting with the values of the filter capacitors C4, C5, C6, and C7 as the characteristics of the whole circuit depend on these components. □



The completed printed circuit board wired to the controls.

ACTIVE GUITAR TONE CONTROL

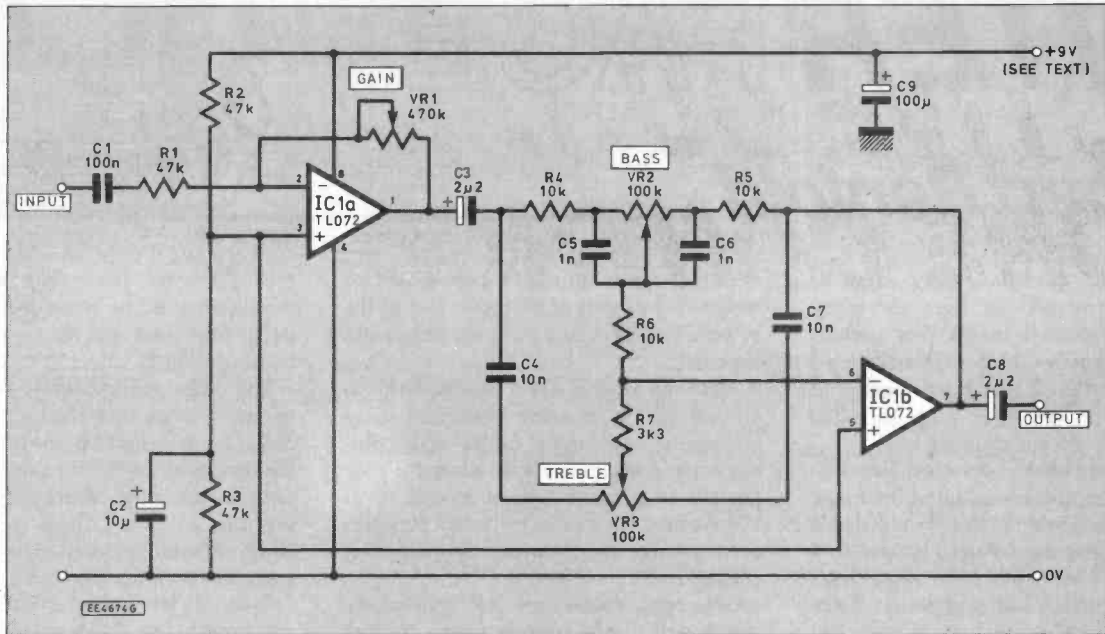


Fig. 1. Complete circuit diagram for the Active Guitar Tone Control.

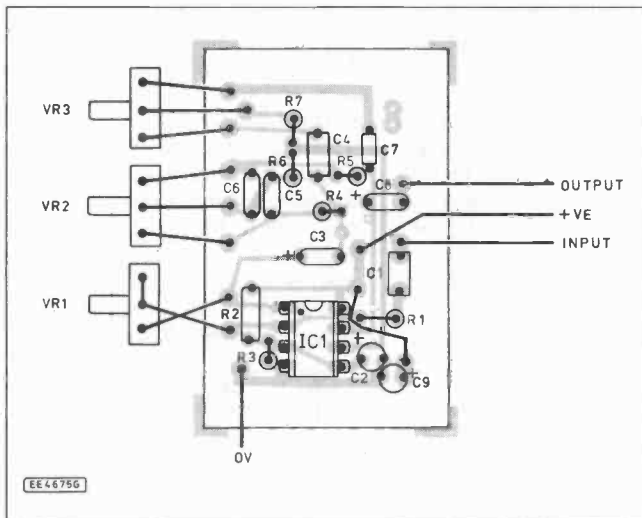


Fig. 2. Printed circuit board component layout and (right) full size copper foil master pattern.

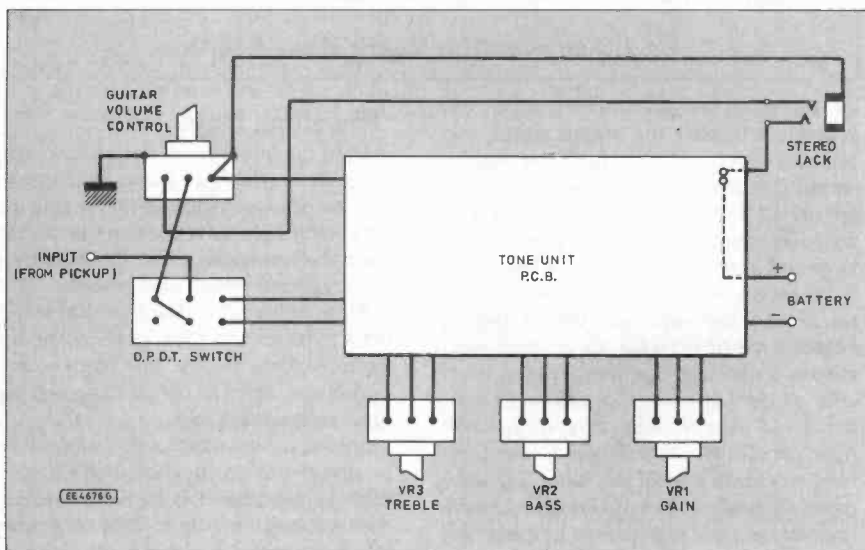
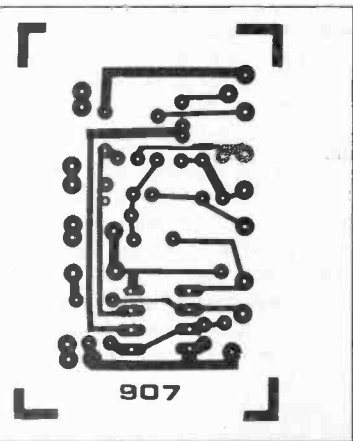


Fig. 3. Typical set-up for the Tone Control using an additional bypass switch and a stereo jack socket for on/off switching. Screened leads should be used for off-board wiring.



COMPONENTS

Resistors

R1, R2, R3 47k (3 off)
R4, R5, R6 10k (3 off)
R7 3k3
All 0.25W 5% carbon film or better.

Potentiometers

VR1 470K rotary carbon, lin
VR2, VR3 100K rotary carbon, lin (2 off)

Capacitors

C1 100n polyester
C2 10µ radial elect. 25V
C3, C8 2µ2 tantalum bead 16V (2 off)
C4, C7 10n polyester (2 off)
C5, C6 1n polyester (2 off)
C9 100µ radial elect. 25V

Semiconductors

IC1 TL072 Dual op.amp

Miscellaneous

Printed circuit board available from the EPE PCB Service, code 907; plastic case, if required; screened cable; stereo jack socket (optional); d.p.t. toggle switch (optional); connecting wire; solder etc.

Approx cost guidance only

£10

See
**SHOP
TALK
Page**

INTERFACE

Robert Penfold



FIBRE-OPTIC cables have been about to revolutionise all our lives for many years now. Now it seems that various technical difficulties, higher than expected costs, etc., have all been sorted out, and the amount of fibre-optic cable threaded around the country is growing fast.

At one time there was much speculation that fibre-optics would find their way into the home in ordinary electronic gadgets, but this has failed to happen to a significant degree. Apart from digital links in some up-market hi-fi equipment, fibre-optics have failed to have much impact in the home.

Opto-Advantages

Even where it is not necessary to transfer gigabits of information over vast distances, fibre-optic cables still have some advantages over simple electrical cables. One of these is complete electrical isolation between the sending and receiving devices. This can avoid potential problems with "hum" and earth loops, digital noise being coupled into audio circuits, and high voltages between equipment having non-earthed chassis.

One important potential advantage is that optical-fibres provide no fire risk. They do not carry an electrical signal which could cause sparking or overheating.

Another advantage of optical cables is that there is no risk of them radiating electrical interference. Even when they are used for something like a high speed serial computer link (which could contain signals having harmonics at frequencies of a few MHz) there is no risk of the non-electrical cable radiating electrical interference. It also works the other way round, and there is clearly no risk of an optical cable picking up electrical interference.

Obviously there could be problems with extraneous light entering a cable, but in practice the opaque sleeving on fibre-optic cables completely eliminates this problem. This sleeving also completely removes any risk of crosstalk, even when two long optical cables are run side-by-side.

A further advantage of optical cables is their relatively small size. Most fibre-optic cables are only about two millimetres in diameter, which is substantially less than most screened cables. This makes it much easier to conceal fibre-optic cables.

Opto-Drawbacks

Fibre-optic cables are not without a few drawbacks, and the most obvious of these is that they are not compatible with normal computer ports, etc. You cannot simply link two computer serial ports using just an optical fibre. Some extra electronics are needed at each end of the system to convert the

electrical signals into light signals, and to reverse the process at the other end of the system. This obviously produces some extra expense.

Although optical fibres can be used to provide links over many kilometres, using inexpensive fibre-optic cables and opto-electronic components it is generally only possible to obtain ranges of around 10 to 100 metres. Of course, for many purposes even a range of 10 metres is more than adequate.

Fibre-optic cables are not particularly cheap, and would typically seem to cost almost one pound per metre. Surplus fibre-optic cable is available from time to time at a somewhat lower cost, but an average coaxial cable is still likely to cost somewhat less.

A point that should be borne in mind when dealing with fibre-optic cables is that they usually have recommended minimum bend radius of about 50mm to 80mm. There are various jokes in the electronics world about tying knots in electrical cables in order to make it harder for the electricity to pass down the cable. Taking an optical fibre cable beyond

plastic sleeving. These days the core is almost certain to be made from a polymer rather than glass, and the core is actually a twin type (Fig.1).

The main (central) core has a higher refractive index than the outer skin of the core. Due to refraction where the core and the skin meet, a light ray entering the cable can pass along the cable by bouncing from one side to other. There is effectively a highly efficient mirrored surface where the inner core and outer skin meet.

Even if the cable is taken through numerous bends, this bouncing process still works, although the transmission efficiency of the cable might suffer slightly. Taking the cable through too tight a bend can produce damage where the inner core and outer skin meet, and it is this factor that imposes a minimum bend radius.

Some cables have a graduated core, which simply means that there is a gradual transition from the higher refractive index of the inner core to the lower refractive index of the outer skin. The light travels down the cable in a more curved fashion than for a normal cable, but in use the two types of cable are much the same.

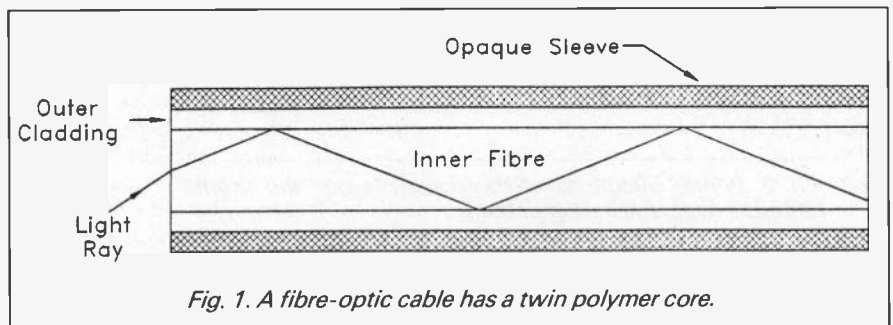


Fig. 1. A fibre-optic cable has a twin polymer core.

its minimum recommended radius can severely attenuate the output signal, and tying a knot in one of these cables would presumably be an effective way of restricting the signal flow! It could also seriously damage the cable, producing a large and permanent loss of efficiency.

Whatever the "pros and cons" of optical fibres, they represent an interesting field of investigation for the amateur electronics enthusiast. For those readers interested in further studies of "Fibre Optics", a new 58 minute video tape is available from our Direct Book Service - see Electronics Videos page in this issue. The video covers the fundamentals of fibre optic technology through cable manufacture to connectors, transmitters and receivers - Ed.

Practical Cables

A fibre-optic cable does not merely consist of a glass filament having an opaque

Travelling Light

Light can travel down the cable in high or low order mode. Fig.1 shows the high order method of propagation. With the low order variety the light travels down the cable at a more shallow angle, and it therefore travels a much greater distance per bounce.

More importantly, the light has less distance to travel, and it therefore travels down the cable more quickly. This tends to smear signals sent down an optical cable, and limits the maximum data rate.

Special cables which only support high or low order propagation ("single mode" cables) are produced, but are not needed for do-it-yourself fibre-optic links. Any smearing of the signal is insignificant with something like a computer serial link operating over a range 20 metres.

Practical fibre-optic cables come in a variety of sizes, but for the amateur user it is

probably best to only buy the type which has a filament diameter of one millimetre, and an overall diameter of 2.2mm. This cable seems to be the nearest thing to a standard optical type, and it is compatible with most fibre-optic l.e.d.s, photodiodes, connector systems, etc.

Losses through long coaxial cables can usually be kept down to quite low levels, but there are usually quite appreciable losses through even short pieces of fibre-optic cable. An inexpensive cable would typically provide a 6dB loss through about five metres of cable (i.e. the light intensity would be reduced by 50 per cent through a five metre length of cable).

Computer Links

Technically it is not particularly difficult to send serial digital data or audio signals down a fibre-optic cable, and a serial link can actually be very simple indeed. With a digital signal there is no linearity problems to contend with.

If only a modest maximum range is required (up to about 10 or 20 metres), a simple d.c. coupled circuit will suffice. The basic setup for a link of this type is illustrated in the block diagram of Fig.2.

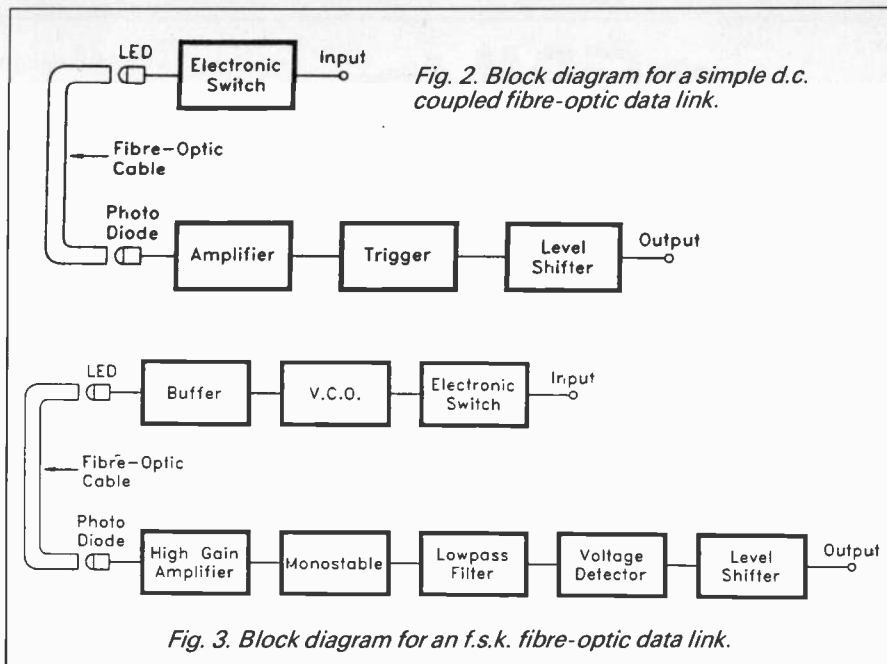
An electronic switch controlling a l.e.d. is basically all that is needed at the transmitting end of the system. When the digital input signal is high the l.e.d. is switched on – when it is low the l.e.d. is switched off.

The photodiode at the receiver feeds into an amplifier. As the circuit is d.c. coupled the amplifier can only offer a modest amount of gain, or there will be problems with drift.

The amplifier must provide an output signal of several volts peak-to-peak in order to drive the next stage properly. This means that the light output from the fibre-optic cable must be quite high in order to provide an adequate output signal from the amplifier, which in turn tends to limit the maximum range of the system.

The output from the amplifier drives a trigger circuit. This provides an output signal that switches cleanly and rapidly from one logic level to the other.

In practice the trigger threshold is normally made adjustable so that the mark-space ratio of the output signal can be



adjusted to precisely match that of the input signal. This is necessary due to the relatively slow switching speed of the photodiode, which can produce significant signal smearing at high baud rates.

An RS232C signal does not operate at normal 5V logic levels, but instead uses nominal signal voltages of plus and minus 12V. The minimum acceptable loaded voltage is plus and minus 3 volts. A level shifter at the output of the unit provides RS232C compatible signal levels.

Two-Tone

Greater range can be obtained using the method outlined in Fig.3, which is basically just a standard f.s.k. (frequency shift keying) system. The high and low logic levels are represented by two different frequencies.

The input signal drives an electronic switch which in turn drives the control input of a v.c.o. (voltage controlled oscillator). With a low input level the v.c.o. operates at its normal frequency, but with a high input level the electronic switch is activated and the v.c.o. is pulled to a higher operating frequency. A buffer stage enables the v.c.o. to drive the l.e.d. at a suitably high current.

The pulsed signal from the photodiode is fed to a high gain amplifier. It is possible to use a very large amount of voltage gain here because the amplifier can be a.c. coupled.

Drift is not a problem, and any distortion of the input signal's mark-space ratio is equally unimportant. It is electrical noise that limits the amount of voltage gain that can be utilized.

The output from the amplifier must be fed to some form of frequency to voltage converter. There is no need to use anything particularly elaborate here, since linearity is of no consequence in a digital application such as this. Something as basic as a monostable and a high slope lowpass filter is perfectly acceptable.

A voltage detector circuit is used to produce an output signal that switches cleanly from one logic level to the other, and this also enables the mark-space ratio of the output signal to be matched to the original signal. A level shifter produces an output signal at RS232C compatible voltages.

Next Month: Some practical circuits for d.c. coupled and f.s.k. fibre-optic data links will be considered.

TEACH-IN No. 7 – Plus Free Software

ANALOGUE AND DIGITAL ELECTRONICS COURSE

(Published by *Everyday with Practical Electronics*)
Alan Winstanley and Keith Dye B.Eng(Tech)AMIEE

The highly acclaimed *Teach-In '92* series, which included the construction and use of the *Mini Lab* and *Micro Lab* test and development units, has been put together in book form. Additionally EPT Educational Software have developed a GCSE Electronics software program to compliment the course and a FREE DISK covering the first two parts of the course is included with the book.

An interesting and thorough tutorial series aimed specifically at the novice or complete beginner in electronics. The series is designed to support those undertaking either GCSE

Electronics or GCE Advanced Levels, and starts with fundamental principles.

If you are taking electronics or technology at school or college, this book is for you. If you just want to learn the basics of electronics then this book is for you. If you are teaching electronics or technology you must make sure you see it. *Teach-In No. 7* will be invaluable if you are considering a career in electronics or even if you are already training in one. The *Mini Lab* and software enable the construction and testing of both demonstration and development circuits. These learning aids bring electronics to life in an enjoyable and interesting way: you will both see and hear the electron in action! The *Micro Lab* microprocessor add-on system will appeal to higher level students and those developing microprocessor projects.

Available at the end of October. Price £3.95 – place an order with your newsagent NOW!

INGENUITY UNLIMITED

WE ARE delighted to welcome back our *Ingenuity Unlimited* column – the circuit showcase of readers' own designs, re-introduced by popular demand from former *Practical Electronics* enthusiasts. Well over twenty years old, no less, this pedigree page invites readers to submit their own circuit ideas for possible publication. We pay between £10-£50 for all material published, depending on length and merit. Note that we're looking for novel applications and circuit tips, *not simply mechanical or "electrical" ideas.*

The circuits shown have *NOT* been proven by us. *Ingenuity Unlimited* is open to *ALL* abilities, but items for consideration in this column should preferably be typed or word processed, with a brief circuit description showing all relevant component values. Please draw all circuit schematics as clearly as possible. If you have a circuit idea to pass on to your fellow constructors, then why not submit it for possible publication in *Ingenuity Unlimited*?

Send your ideas to: Alan Winstanley, *Ingenuity Unlimited*, Wimborne Publishing Ltd., Allen House, East Borough, Wimborne, Dorset, BH21 1PF.

Auto Power Down Circuit

– with many uses

The circuit diagram of Fig. 1 was designed to turn off my multimeter after roughly five minutes operation – the cost in batteries due to my absent-mindedness was horrendous! It switches off a piece of equipment after a preset time to avoid unnecessary drain on the batteries.

IC1 is a 7555 acting as an oscillator running at a frequency of about 15Hz. The frequency of astable operation of the 7555 is given by the formula:

$$f = \frac{1.44}{(R1 + 2R2)C} \text{ Hertz.}$$

This clocks the binary divider IC2 which divides the clock signal by 2^{12} , resulting in a pulse every five minutes or so. Pressing the "on" switch S1 sets the S-R latch IC3 (one half of the dual device being used), and resets the binary divider. The Q output of IC3 will then go high, turning on transistor TR1 which feeds power to the multi-

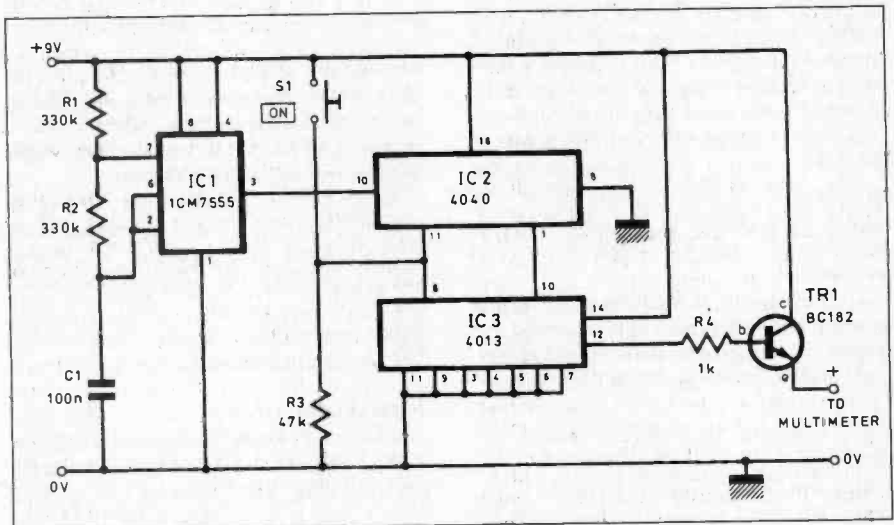


Fig. 1. Circuit diagram for the Auto Power Down.

meter.

After approximately five minutes the output of IC2 will go high, resetting the latch, thus turning the equipment off. The delay time can be adjusted by varying the frequency of the oscillator: the frequency

required for a set period is given by:

$$\text{Period} = \frac{2^{12}}{\text{frequency}}$$

Tom Baldwin,
Romsey, Hants.

Liquid Crystal Display Tester

– helps unscramble pinouts

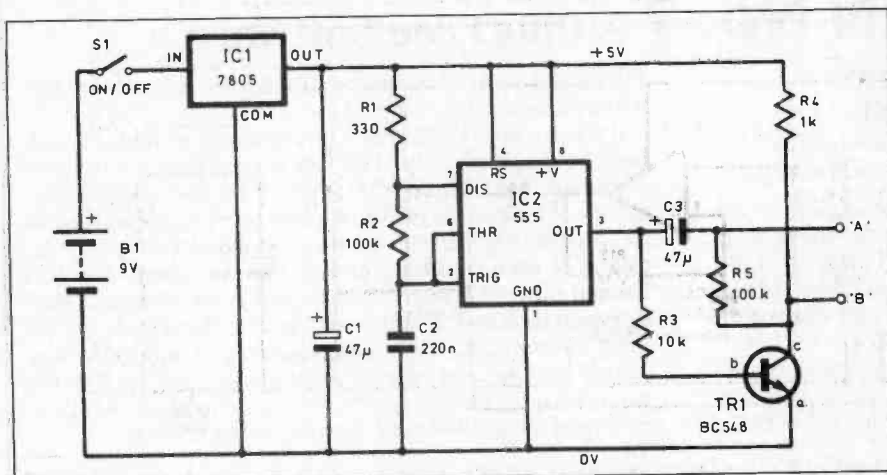


Fig. 2. Liquid Crystal Display Tester circuit diagram. Note that $f_{OUT} = 32.7\text{Hz}$

Liquid Crystal Displays (LCDs) cannot be tested by direct connection to a d.c. supply such as a battery. My circuit, Fig. 2, produces an a.c. output which is suitable for driving l.c.d.s and can be used to determine the pin functions of displays when connection data is not available.

The unit is powered by a 9V d.c. battery and a 7805 voltage regulator, IC1, provides a 5V rail for the display, and is decoupled by capacitor C1. The 555 timer, IC1, is connected as an astable multivibrator running at 32.7Hz. Resistor R1 is a low value which gives approximately a 50 per cent duty cycle.

Transistor TR1, resistors R3 and R4 invert the output square wave whilst capacitor C3 blocks any d.c. content of the output. The resistor R5 provides a current path through C3 which produces a p.d. between points A and B. These terminals are connected to different pins on the l.c.d., the segment connected to the pins turning black so that these pins can be labelled accordingly.

Andrew Hutton,
Pensby, Wirral.

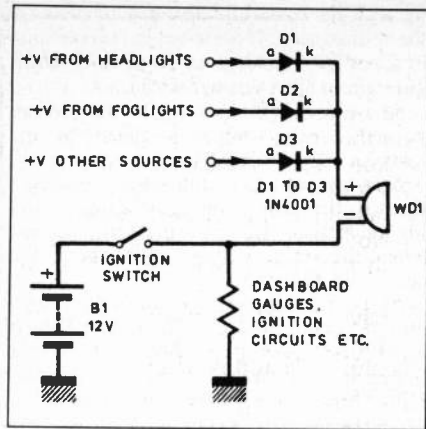


Fig. 3a. Lights-On Alert circuit.

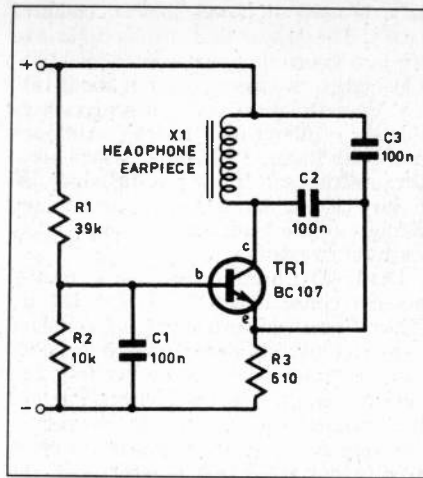


Fig. 3b. Audio tone oscillator.

Voltage Drop Car Alarm

— guards against car crime

The circuit diagram shown in Fig. 4 is a Simple Voltage Drop Car Alarm which will trigger on opening the car doors, provided that a courtesy light is fitted. Exit and entry delays are included to allow the alarm to be armed by a small concealed switch within the car.

On entering the car, a low power sounder operates indicating that the alarm has triggered. The owner then has several seconds to disarm the alarm before a siren sounds. If the alarm is not de-activated then the siren will continue to sound for approximately 45 seconds, after which the alarm is automatically reset.

The circuit of the Voltage Drop Car Alarm is divided into four sections — exit, entry and alarm delays plus volt drop sensing. In Fig. 4, once power has been applied to the alarm circuit via a concealed switch (i.e. +12V to P1) capacitor C2 charges through resistor R2; this generates an exit delay of approximately 12 seconds before the Schmitt inverter IC3a sets the monostable IC1 out of its previous reset condition by taking IC1 pin 4 "high".

The voltage drop created by the door operated courtesy light is amplified by IC2. Two non-inverting cascaded op.amps together with associated components set the voltage gain at a level sufficient to provide consistent alarm triggering.

As the courtesy lamp illuminates, the initial voltage-drop sensed is amplified to the point where pin 2 (trigger) of the monostable IC1 is taken below its trigger threshold of approximately 4V. At this point, the monostable is triggered and the low power sounder WD1 operates. Capacitor C3 now charges through R3 allowing an entry delay of about 10 seconds.

After this time has elapsed, the output of the Schmitt inverters IC3c and IC3d (pins

an OR circuit which detect when any lights or other loads are on.

When the ignition is ON, the battery voltage is applied through the sounder to the cathodes (k) of the diodes, which are reverse biased and therefore do not conduct. If a light or other load is on, then the anode (a) of the corresponding diode is at the positive supply voltage also, so the sounder will still not operate.

However when the ignition is OFF, then the negative lead of the sounder will be shunted to earth via dashboard gauges, ignition circuitry, panel lights etc. If any of the headlamps are on, then its corresponding diode becomes forward biased and so the sounder will now operate.

The resistance of the dashboard and ignition circuits is negligible compared with the sounder's resistance and creates little voltage drop. The circuit can also warn against other loads being left switched on, by adding a diode as necessary.

Plamen Petkov,
London W14.

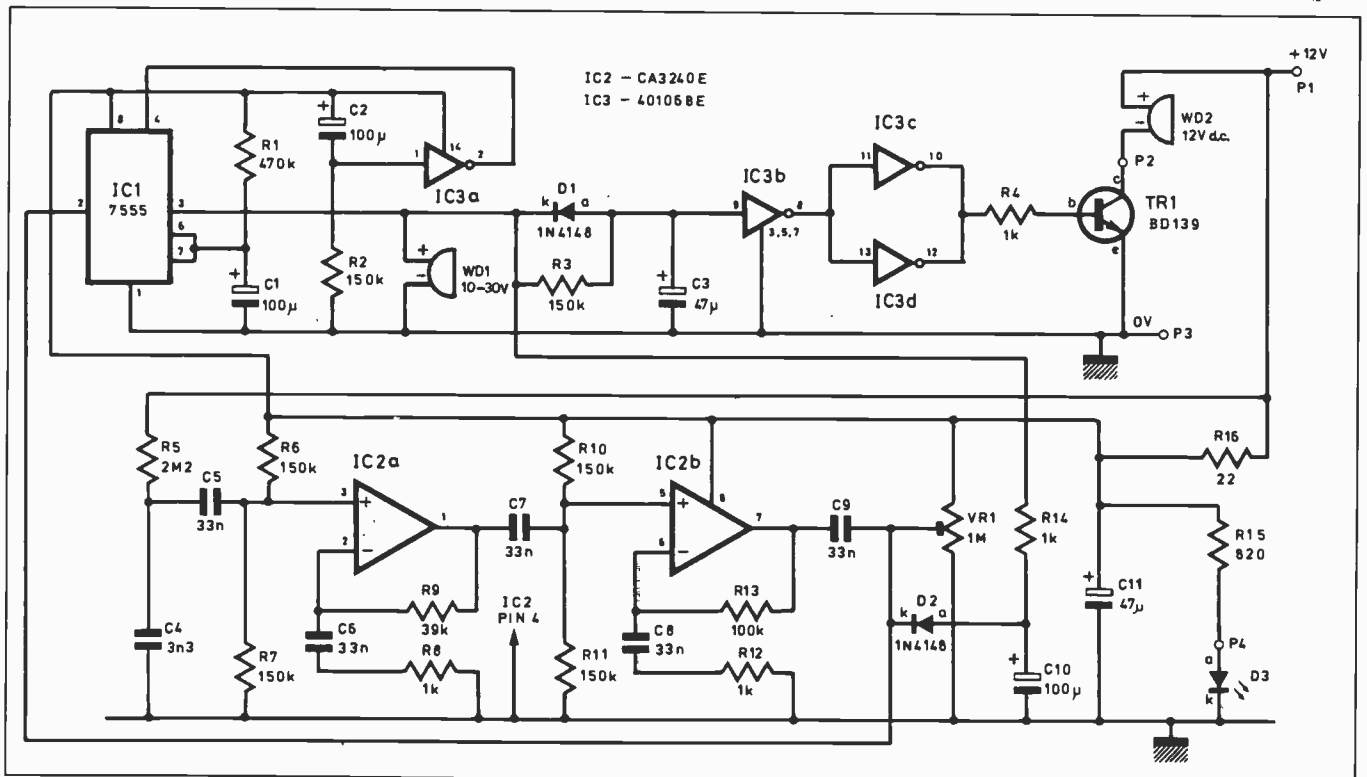


Fig. 4. Circuit diagram for a Voltage Drop Car Alarm. WD1 is a low power p.c.b. mounting piezo sounder operating from 10V to 30V and WD2 is a high power miniature piezo siren capable of 115dB output.

10 and 12 respectively) go high, switching on transistor TR1. This completes the circuit to the high power siren WD2 which sounds. Further alarm triggering is disabled since R14 together with diode D2 hold IC1 pin 2 high until the monostable has timed out – approximately 50 seconds. Then the voltage on IC1 pin 2 falls as C10 discharges. Whilst the alarm is not triggered, the voltage at IC1 pin 2 should settle at 7V (nominally set by VR1), allowing the alarm to trigger again if necessary.

It's probably best to mount siren WD2 in the engine compartment away from hot components, with the alarm circuit fitted into a suitable box placed out of sight in the passenger compartment. Connect to the 12V rail via a 1A in-line fuse connected as close as possible to the origin of the supply. In order to deter opportunists, the l.e.d. D3 should be positioned in clear view and connected by a suitable lead.

*Guy Nicholson,
Harlow, Essex.*

L.E.D. Voltmeter

– for car, caravan or boat

An L.E.D. Voltmeter circuit diagram designed for automotive, caravanning or possibly marine use is shown in Fig. 5. When the electrical supply voltage is between 12V to 14V volts then everything could be considered as “normal” but if the voltage ever falls outside of this range then this circuit will offer an immediate warning.

The warning is effected by a row of ten l.e.d.s which light at different voltages over the required range. The device was primarily designed for a car where I mainly needed to know, at a glance, whether conditions had changed from their normal values.

An LM3914 bar driver integrated circuit,

IC1, is used to power the ten coloured l.e.d.s. The lowest l.e.d. extinguishes and the next lowest illuminates at about 11.5V. The highest two change over at about 15V, and intermediate l.e.d.s light progressively in steps of about 0.4V to 0.5V. Although not quite linear, I find this system ideal because one can quickly learn which arbitrary l.e.d. is normally alight so that any change in the l.e.d. display immediately warns of an event.

Diode D1 protects against a reverse polarity connection. D2, D3 and D4 are Zener diodes which were to hand and gave a correct overall Zener voltage together with a reasonable mix of positive and negative temperature co-efficients. Pin 9 of IC1 connects to pin 11 to provide a “moving dot” display. In practice, I never need to look at the l.e.d. numbers, only the change in the l.e.d. colour pattern.

Resistor R1a/b controls the current

through the l.e.d.s and also has an effect on the voltage span. It consisted of two resistors in series to produce a value of 1k47 which gives about 8mA through each l.e.d.

Resistor R2 also controls the overall voltmeter range which is given by the formula $1.25(1 + R2/R1)$.

Because of the fluctuating current through the Zeners, the span is marginally higher. Resistor R3 limits the Zener current when the input voltage rises above the combined Zener voltage.

All l.e.d.s extinguish at about 10.5 volts and this could be the first sign of engine starting troubles, perhaps poor connections or a failing battery. When in my case increasingly “higher” l.e.d.s consistently came on when the engine was running, I checked the electrical system and cured it by changing a faulty voltage regulator in my alternator.

*David L. Dewey,
Bovingdon, Herts.*

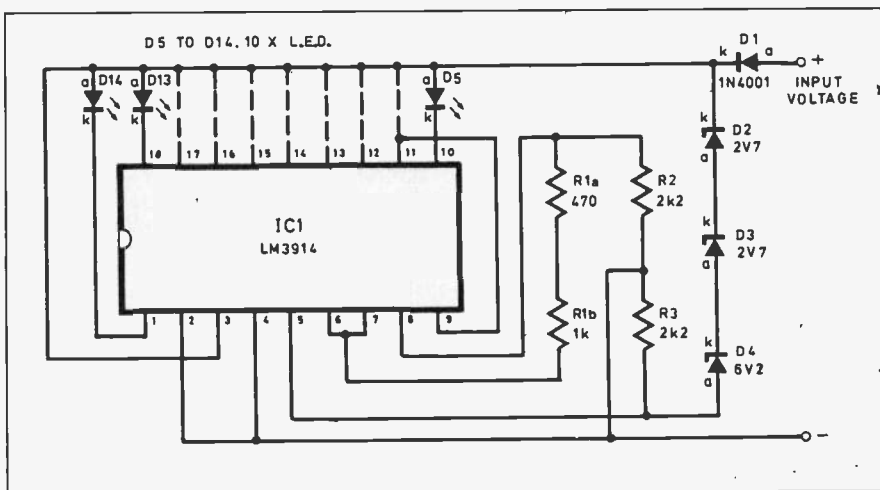


Fig. 5. Circuit diagram for the L.E.D. Voltmeter.

EVERYDAY WITH PRACTICAL ELECTRONICS

SUBSCRIPTION ORDER FORM

Annual subscription rates (1994/5): UK £24.00

Overseas £30 (surface mail) £47.50 (airmail)

To: Everyday with Practical Electronics

Allen House, East Borough, Wimborne, Dorset BH21 1PF

Tel: 01202 881749. Fax: 01202 814692

I enclose payment of £..... (cheque/PO in £ sterling only)

Payable to

Everyday with Practical Electronics

Access or Visa No.

VISA



Please supply name and address of card-holder if different from the subscription address shown below. Subscriptions can only start with the next available issue. For back numbers see the Editorial page.

Signature.....

Card Ex. Date

Name.....

Address.....

Post code.....

11/94

CIRKIT ELECTRONIC CONSTRUCTORS CATALOGUE

NEW WINTER '94/95 EDITION

- ▶ 280 pages packed with over 4000 products and now with news and features
- ▶ New additions to Cirkit's unique range of kits, including: IR Remote Control System, Combustible Gas Detector, Mains Carrier Audio Link, Mains Carrier Remote Control, Electrical Appliance Watt Meter, Breath Tester, TV Tuner
- ▶ Two feature projects, fully detailed articles for Hi-Fi quality Infra-red Cordless Headphones and 'Chiptester' a logic IC tester with full PC software, with full construction kits available for both
- ▶ 100s new products, including; mobile phone batteries and chargers, low cost thermometers, ICs, LEDs and books
- ▶ Available from 20th October at most large newsagents or direct from Cirkit



Cirkit

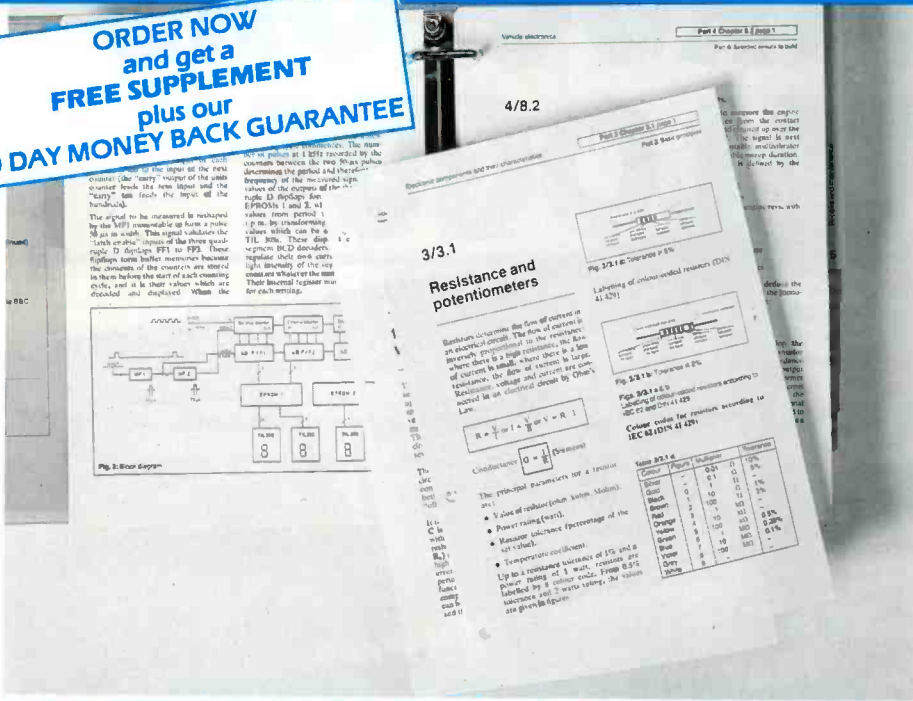
Cirkit Distribution Ltd



Park Lane • Broxbourne • Hertfordshire • EN10 7NQ • Tel: Sales (0992) 448899 • Fax (0992) 471314

WHETHER ELECTRONICS IS YOUR HOBBY OR YOUR LIVELIHOOD . . . YOU NEED THE MODERN ELECTRONICS MANUAL

**ORDER NOW
and get a
FREE SUPPLEMENT
plus our
30 DAY MONEY BACK GUARANTEE**



The essential reference work

- Easy-to-use format
- Clear and simple layout
- Regular Supplements
- Sturdy ring-binder
- News of latest developments
- Full components checklist
- Extensive data tables
- Detailed supply information
- Ready-to-transfer PCBs
- Comprehensive subject range
- Detailed assembly instructions
- Professionally written

EVERYTHING YOU NEED TO KNOW ABOUT ELECTRONICS!

If the fascinating and fast-changing world of electronics is your livelihood, your study subject or simply your passion, the revised edition of **THE MODERN ELECTRONICS MANUAL** is the reference work for you to have at your side.

The Base Manual contains information on the following subjects:

BASIC PRINCIPLES: Symbols, components and their characteristics, passive component circuits, power supplies, acoustics and electroacoustics, the workshop, principles of metrology, measuring instruments, digital electronics, operational amplifiers, timers, physics for electronics.

CIRCUITS TO BUILD: Construction techniques, radio, telephony, microcomputing, measuring instruments, vehicle electronics, security, audio, power supplies, electronic music (over 25 different projects).

REPAIRS AND MAINTENANCE: Basic circuit operation for radio, television, audio/hi-fi, telephones.

DATA: Diodes, transistors, thyristors and triacs, digital and linear i.c.s, microprocessors.

The Manual also covers **Safety, Specialist Vocabulary with Abbreviations and Suppliers.**

OVER 1,000 pages, with over 900 diagrams and photographs, A4 looseleaf format weighing over 3.5kg.

ALL-IN-ONE AND EASY-TO-USE: A sturdy ring-binder allows you to use the Manual on your workbench. The looseleaf format also means you can slot in the regular supplements as they arrive – so all your information is there at a glance.

EXTENSIVE GLOSSARY: Should you come across a technical word, phrase or abbreviation you're not familiar with – simply turn to the glossary included in the Manual and you'll find a comprehensive definition in plain English.

GUARANTEE

Our 30 day money back guarantee gives you **complete peace of mind**. If you are not entirely happy with the Manual, for whatever reason, simply return it to us in good condition within 30 days and we will make **a full refund of your payment** – no small print and no questions asked. (Overseas buyers do have to pay the overseas postage charge).

Now – at last – the most comprehensive reference work ever produced at a price you can afford, the revised edition of **THE MODERN ELECTRONICS MANUAL** provides you with all the essential information you need.

Over 1,000 pages of well-organised and clearly explained information is brought to you by an expert editorial team whose combined experience ensures the widest coverage.

Regular supplements to this unique publication, each around 160 pages, mean that you will always be kept abreast of the latest developments from around the world as they occur

REGULAR SUPPLEMENTS

Unlike a book or encyclopedia, the Manual is a living work – continuously extended with new material. Recent or upcoming supplements include radio, superconductors, electric motors, basic electronic building blocks for beginners which can be joined together to construct elaborate circuits, filters, IBM PC and compatibles (including updating/expanding PCs). Supplements are sent to you approximately every two months. Each supplement contains approximately 160 pages – all for only £23.50 + £2.50 p&p. You can of course return any supplement (within 10 days) which you feel is superfluous to your needs.

RESPONDING TO YOUR NEEDS

We are able to provide you with the most important and popular, up to the minute, articles in our supplements. Our unique system is based on readers

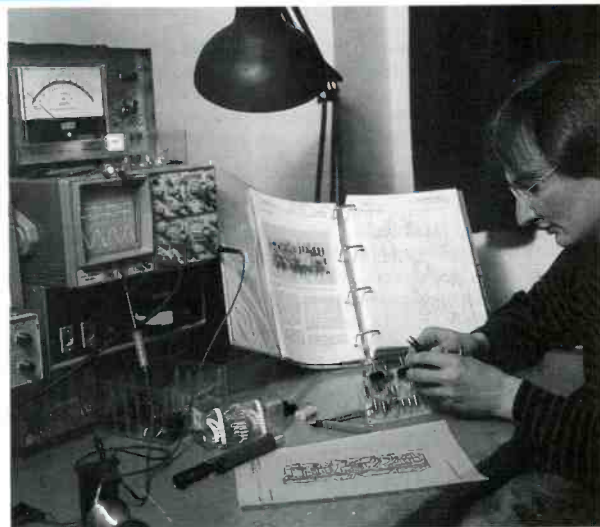
requests for new information. Through this service you are able to let us know exactly what information you require in your Manual. You can also contact the editor directly in writing if you have a specific technical request or query relating to the Manual.

ASSEMBLING ...

There's nothing to beat the satisfaction of creating your own project. From basic principles to circuit-building, the Manual describes clearly, with appropriate diagrams, how to assemble radios, loudspeakers, amplifiers, car projects, measuring instruments etc. The revised edition of The Modern Electronics Manual contains practical, easy-to-follow instructions for building a wide range of projects. It shows you how to make fun gadgets such as a remote control door opener and a digital rev. counter for your car. It also tells you how to construct useful devices like test gear, security and

baby alarms – plus – many more popular devices.

**Wimborne Publishing Ltd.,
Allen House, East Borough,
Wimborne,
Dorset BH21 1PH
Tel: 0202 881749 Fax: 0202 841692**



THE MODERN ELECTRONICS MANUAL

Revised Edition of Basic Work: Now contains over 1,000 pages of information.

Regular Updates: Approximately 160-page supplements of additional information which are forwarded to you immediately on publication. These are billed separately and can be discontinued at any time.

Presentation: Durable looseleaf system in large A4 format (297mm × 210mm)

Price of the Basic Work: £39.95 + £5.50 p&p (to include a recent supplement free).

PLEASE send me **THE MODERN ELECTRONICS MANUAL** plus a **FREE SUPPLEMENT**. I enclose payment of **£45.45** (£39.95 plus £5.50 postage and packing). Should I decide **not** to keep the Manual I will return it to you in good condition within 30 days for a full refund of this payment. I shall also receive the appropriate supplements several times a year. These are billed separately and can be discontinued at any time.

FULL NAME
(PLEASE PRINT)

ADDRESS.....

..... **POSTCODE**

SIGNATURE.....

I enclose cheque/PO payable to Wimborne Publishing Ltd.

Please charge my Visa/Mastercard/Access

Card No. **Card Ex. Date**

ORDER FORM

Simply complete and return the order form with your payment to the following address:

**Wimborne Publishing Ltd, Allen House,
East Borough, Wimborne, Dorset BH21 1PH**

We offer a 30 day MONEY BACK

GUARANTEE – if you are not happy with the Manual simply return it to us in good condition within 30 days for a full refund.

Overseas buyers do have to pay the overseas postage – see below.

OVERSEAS ORDERS: All overseas orders must be prepaid and are supplied under a money-back guarantee of satisfaction. If you are not entirely happy with the Manual return it within a month for a refund of the purchase price (you do have to pay the overseas postage). **SEND £39.95 PLUS THE POSTAGE SHOWN BELOW:**

EIRE	AIR MAIL ONLY £11
EUROPE (E.E.C. Countries)	AIR MAIL ONLY £20
EUROPE (non E.E.C.)	SURFACE MAIL £20, AIR MAIL £26
U.S.A. & CANADA	SURFACE MAIL £25, AIR MAIL £32
FAR EAST & AUSTRALIA	SURFACE MAIL £31, AIR MAIL £33
REST OF WORLD	SURFACE MAIL £25, AIR MAIL £44

Note surface mail can take over 10 weeks to some parts of the world. Each manual weighs about 4.5kg including the free supplement when packed.

All payments must be made in £s Sterling payable to Wimborne Publishing Ltd. We accept Mastercard (Access) and Visa credit cards.

VIDEOS ON ELECTRONICS

A range of videos designed to provide instruction on electronics theory. Each video gives a sound introduction and grounding in a specialised area of the subject. The tapes make learning both easier and more enjoyable than pure textbook or magazine study. They are proving particularly useful in schools, colleges, training departments and electronics clubs as well as to general hobbyists and those following distance learning courses etc.

VT201 to VT206 is a basic electronics course and is designed to be used as a complete series, if required.

VT201 55 minutes. Part One; **D.C. Circuits**. This video is an absolute must for the beginner. Series circuits, parallel circuits, Ohms law, how to use the digital multimeter and much more. **Order Code VT201**

VT202 62 minutes. Part Two; **A.C. Circuits**. This is your next step in understanding the basics of electronics. You will learn about how coils, transformers, capacitors, etc are used in common circuits. **Order Code VT202**

VT203 57 minutes. Part Three; **Semiconductors**. Gives you an exciting look into the world of semiconductors. With basic semiconductor theory. Plus 15 different semiconductor devices explained. **Order Code VT203**

VT204 56 minutes. Part Four; **Power Supplies**. Guides you step by step through different sections of a power supply. **Order Code VT204**

VT205 57 minutes. Part Five; **Amplifiers**. Shows you how amplifiers work as you have never seen them before. Class A, class B, class C, op.amps. etc. **Order Code VT205**

VT206 54 minutes. Part Six; **Oscillators**. Oscillators are found in both linear and digital circuits. Gives a good basic background in oscillate or circuits. **Order Code VT206**

By the time you have completed VT206 you have completed the basic electronics course and should have a good understanding of the operation of basic circuit elements.

VCR MAINTENANCE

VT102 84 minutes: Introduction to VCR Repair. Warning, not for the beginner. Through the use of block diagrams this video will take you through the various circuits found in the NTSC VHS system. You will follow the signal from the input to the audio/video heads then from the heads back to the output. **Order Code VT102**

VT103 32 minutes: A step-by-step easy to follow procedure for professionally cleaning the tape path and replacing many of the belts in most VHS VCR's. The viewer will also become familiar with the various parts found in the tape path. **Order Code VT103**

Each video uses a mixture of animated current flow in circuits plus text, plus cartoon instruction etc., and a very full commentary to get the points across. The tapes are imported by us and originate from VCR Educational Products Co, an American supplier.
(All videos are to the UK PAL standard on VHS tapes)

Now for the digital series of six videos. This series is designed to provide a good grounding in computer technology.

VT301 54 minutes. Digital One; **Gates** begins with the basics as you learn about seven of the most common gates which are used in almost every digital circuit, plus Binary notation. **Order Code VT301**

VT302 55 minutes. Digital Two; **Flip Flops** will further enhance your knowledge of digital basics. You will learn about Octal and Hexadecimal notation groups, flip-flops, counters, etc. **Order Code VT302**

VT303 54 minutes. Digital Three; **Registers and Displays** is your next step in obtaining a solid understanding of the basic circuits found in today's digital design. Gets into multiplexers, registers, display devices, etc. **Order Code VT303**

VT304 59 minutes. Digital Four; **DAC and ADC** shows you how the computer is able to communicate with the real world. You will learn about digital to analogue and analogue to digital converter circuits. **Order Code VT304**

VT305 56 minutes. Digital Five; **Memory Devices** introduces you to the technology used in many of today's memory devices. You will learn all about ROM devices and then proceed into PROM, EPROM, EEPROM, SRAM, DRAM, and MBM devices. **Order Code VT305**

VT306 56 minutes. Digital Six; **The CPU** gives you a thorough understanding in the basics of the central processing unit and the input/output circuits used to make the system work. **Order Code VT306**

By now you should have a good understanding of computer technology and what makes computers work. This series is also invaluable to the computer technician to understand the basics and thus aid troubleshooting.

VT401 61 minutes. **A.M. Radio Theory**. The most complete video ever produced on a.m. radio. Begins with the basics of a.m. transmission and proceeds to the five major stages of a.m. reception. Learn how the signal is detected, converted and reproduced. Also covers the Motorola C-QUAM a.m. stereo system. **Order Code VT401**

NEW VT402 58 minutes. **F.M. Radio 1**. F.M. basics including the functional blocks of a receiver. Plus r.f. amplifier, mixer oscillator, i.f. amplifier; limiter and f.m. decoder stages of a typical f.m. receiver. **Order Code VT402**

NEW VT403 58 minutes. **F.M. Radio Part 2**. A continuation of f.m. technology from Part 1. Begins with the detector stage output, proceeds to the 19kHz amplifier, frequency doubler, stereo demultiplexer and audio amplifier stages. Also covers RDS digital data encoding and decoding. **Order Code VT403**

NEW VT501 58 minutes. **Fibre Optics**. From the fundamentals of fibre optic technology through cable manufacture to connectors, transmitters and receivers. **Order Code VT501**

ORDERING: Add £1 p&p per order for UK orders. **OVERSEAS ORDERS:** Add £2 postage per order for countries in the EEC. Overseas orders outside the EEC countries send £25.99 (price less VAT) plus £3 per tape airmail postage (or £5 per order surface mail postage). All payments in £ sterling only (send cheque or money order drawn on a UK bank).

Orders are normally sent within seven days but please allow a maximum of 28 days - longer for overseas readers.

Visa and Mastercard orders accepted - please give card number, card expiry date and cardholders address if different to the delivery address.

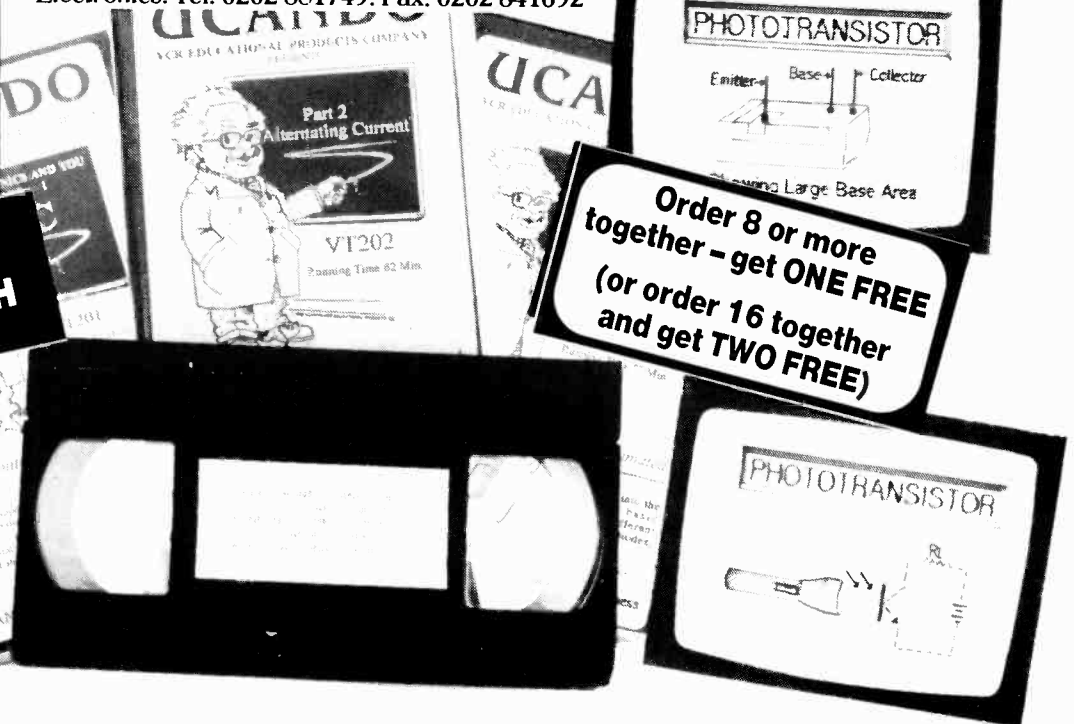
Send your order to: **Direct Book Service, 33 Gravel Hill, Merley, Wimborne, Dorset BH21 1RW (Mail Order Only)**

Direct Book Service is a division of Wimborne Publishing Ltd., publishers of *Everyday with Practical Electronics*. Tel: 0202 881749. Fax: 0202 841692

£29.95
each inc. VAT

THREE NEW VIDEOS THIS MONTH

Order 8 or more together - get ONE FREE (or order 16 together and get TWO FREE)



EXPRESS COMPONENTS

MAINS IONIZER KIT. Very useful kit that increases the flow of negative ions, helps clear cigarette smoke, dust, pollen etc. Helps reduce stress and respiratory problems. £15. kit, £20 built.

COMBINATION LOCK. Electronic 9 key combination lock suitable for alarms, cars, houses etc, easily programmable. Includes mains 2A relay o/p. 9v operation. £10 kit, £14 built.

VARIABLE POWER SUPPLY. Stabilized, short circuit protected. Gives 3-30v DC at 2.5A, ideal for workshop or laboratory. £14 kit, £18 built. 24V AC required.

LEADACID CHARGER. Two automatic charging rates (fast and slow), visual indication of battery state. Ideal for alarm systems, emergency lighting, battery projects etc. £12 kit, £16 built.

PHONE LINE RECORDER. Device that connects to the phone line and activates a cassette recorder when the handset is lifted. Ideal for recording phone conversations etc! £8 kit, £12 built.

ROBOT VOICE. Turns your voice into a robot voice! answer the phone with a different voice! £9 kit, £13 built.

PHONE BUG DETECTOR. This device will warn you if somebody is eavesdropping on your phone line. £6 kit £9 built.

PHONE BUG. Small bug powered by the telephone line. Only transmits when the phone is used. Popular surveillance product. £8 kit, £12 built.

STROBE LIGHT. Bright strobe light with an adjustable frequency of 1-60hz. (a lot faster than conventional strobes!) £16 kit, £20 built.

4W FM TRANSMITTER. 3RF stages, audio preamp. 12-18vDC. Medium powered bug £20 kit, £28 built.

3 CHANNEL LIGHT CHASER. 3x 800w output, speed and direction controls, can be used with 12 led's (supplied) or TRIACS for mains lights (also supplied). 9-15v DC. £17 kit, £23 built.

25W FM TRANSMITTER. 4 stage, a preamp will be required. (Our preamp below is suitable) £79 built. (no kits)

SOUND EFFECTS GENERATOR. Produces any thing from bird chips to sirens! add sounds to all sorts of things £9 kit £13 built

FM/AM SCANNER. Well not quite, you have to turn the knob yourself but you will hear things on this radio (even TV) that you would not hear on an ordinary radio! A receiver that covers 50-160MHZ both AM and FM. Built in 5w amplifier. £15 kit, £20 built.

CAR ALARM SYSTEM. Works on vibration and/or voltage drop from door etc being opened. Entry and exit delays plus adjustable alarm duration. Low cost protection! £12 kit, £16 built.

15W FM TRANSMITTER. 4 stage, high power bug. You will need a preamp for this (see our preamp below which is ok) £69 built. (no kits).

1W FM TRANSMITTER. 2 stage including preamp and mic. Good general purpose bug. 8-30VDC. £12 kit, £16 built.

50 I/C's for £1.50
Nice mix of chips at a bargain price!

CERAMIC CAPACITOR PACK
Good mixed pack of 100 capacitors for just £1.00

ELECTROLYTIC PACK 1
100 small mixed electrolytic capacitors just £1.00

ELECTROLYTIC PACK 2
50 larger electrolytic mixed capacitors

RESISTOR PACK NO 1
250 low wattage resistors, ideal for most projects etc. Just £1.00

RESISTOR PACK NO 2
11i wattage pack, good selection of mixed wattages and values 50 in all, bargain price just £1.00

PRESET PACK
Nice selection of 25 mixed preset pots for just another £1!

RELAY PACK NO 1
6 mixed relays for £1, thats just 17p each.

CONNECTOR PACK
10 different connectors, again for £1

FUSE PACK NO 1
40 mixed 20mm fuses, ideal for repairs etc, or just to stock up the spares box! Just £1.00

FUSE PACK NO 2
30 mixed 1.25" fuses again ideal for spares etc. Just £1.00

WIRE PACK
25 Metres of insulated wire for just £1.00, good for projects etc.

SLEEVING PACK
100 assorted pieces of sleeving for connectors etc. Yours for just £1.00

DIODE PACK
100 assorted diodes for just £1.00

LED PACK
20 light emitting diodes for £1.00

TRANSISTOR PACK
50 mixed transistors, another bargain at £1.00

BUZZER PACK
10 things that make a noise for just £1.00!

POT PACK
10 pots for £1, (5 different types) a snip at £1.00

DISPLAYS
10 seven segment displays for £1.00

ORDER 10 PACKS OR MORE AND CHOOSE ONE FREE PACK!!

FREE COMPONENT CATALOGUE WITH EVERY ORDER!!

BULK PACKS

99p
Post

KITS 'N MODULES

PREAMP MIXER. 3 channel input, independent level and tone controls. Ideal for use with the hi power FM transmitters. £15 kit, £19 built.

TREMBLER ALARM. Designed for bikes etc, adjustable sensitivity, preset alarm time, auto reset. Could be adapted for all sorts of "borrowable" things £12 kit, £16 built.

ULTRASONIC RADAR. A project that can be used as a movement detector in an enclosed space. Range about 10 metres, 12vDC. Good basis for car, shed, caravan alarm etc. £14 kit, £19 built.

PHONE CALL RELAY. Very useful kit that incorporates a relay that operates when the phone rings. Can be used to operate more bells, signalling lights etc. Good for noisy environments or if you have your headphones on! £10 kit, £14 built.

PORTABLE ALARM SYSTEM. Small 9v alarm system based on a mercury switch. The alarm continues to sound until disabled by the owner. Buzzer included. £11 kit £15 built.

800W MUSIC TO LIGHT EFFECT. Add rhythm to your music with this simplesound to light kit. £8 kit, £12 built.

MOSQUITO REPELLER. Modern way to keep the midges away! Runs for

about a month on one 1.5v battery. Frequency is set to drive away mosquitos etc. £7 kit, £11 built.

3 CHANNEL SOUND TO LIGHT. Can be used anywhere as no connection is made to hi fi. Separate sensitivity controls for each channel, 1,200W power handling. Microphone included. £14 kit, £19 built.

MINI METAL DETECTOR. Detects pipes, wires etc up to 20cm deep. Useful before you drill those holes! £8 kit, £12 built.

0-5 MINUTE TIMER. Simple time switch adjustable from 0-5 mins, will switch 2A mains load. 12v op. Ideal for laboratory, photographic projects etc. £7 kit, £11 built.

7 WATT III FI AMPLIFIER. Useful, powerful amplifier 20hz-15hz, 12-18vdc. Good for intercoms, audio systems, car etc. £7 kit £11 built.

INCAR SOUND TO LIGHT. Put some atmosphere in your car with this kit. Each channel has 6 led's that create a beautiful lighting effect! £10 kit, £14 built.

VOX SWITCH. This is a sound activated switch, ideal for use on transmitters, CB's, tape recorders etc. Adjustable sensitivity, built in delay. Mic input. £7 kit, £11 built.

LIQUID LEVEL DETECTOR.

Useful item, can be used to detect fluid levels in watertanks, baths, ponds fishtanks etc. Could also be used as rain alarm with an easily constructed sensor. £5 kit, £9 built.

FM TRANSMITTER. Mini FM transmitter 2 transistor, comes with FET miniature mic and is tuneable from 63 to 130MHZ. £7 kit, £11 built.

FUNCTION GENERATOR. Generates sinusoidal, saw tooth and square waveforms from 20hz up to 20khz. Separate level controls for each waveform. 24vac. £15 kit, £20 built.

5 WATT SIREN. Powerful siren kit with an impressive 5 watts output. Ideal for alarms etc. £6 kit £10 built.

TELEPHONE AMPLIFIER. Very sensitive amplifier which using a phone pickup coil (supplied) will let you col-

low a telephone conversation without holding the handset to your ear! £11 kit £15 built.

SWITCH PACK
10 switches for just £1.00

12v FLOURESCENT. A useful kit that will enable you to light large fluorescent tubes from your car battery etc. 9v mains transformer required. £8 kit, £12 built.

KNOB PACK
10 knobs for just £1.00

REMEMBER! YOUR FREE COPY OF OUR CUT PRICE COMPONENTS CATALOGUE SENT WITH EVERY ORDER!!!

How to place your order.....

By phone.....0273 771156

By FAX.....0273 206875

By Post...PO box 517 Hove Sussex BN3 5QZ

Payment by ACCESS, VISA, CHEQUE OR POSTAL ORDER.

Cheques and postal orders should be payable to Express Components.

ALL PRICES ARE SUBJECT TO 99p POST AND VAT. Some of our products may be unlicensable for use in the UK (particularly the FM transmitters.)

Electronics from the Ground Up

Mike Tooley, BA

Part 2

ELECTRONICS from the Ground Up is designed to provide you with a comprehensive and up-to-date introduction to the world of electronics. The series is based on *Electronics Workbench*, a remarkable new software package that lets you use your PC to build and test a wide range of circuits. A special version of this software (with all the parts and test instruments needed to complete the first two parts of the series) was given away

FREE with last month's *Everyday with Practical Electronics* (see back number ordering details on page nnn).

In this second part we introduce a number of important new concepts including capacitance, inductance, reactance and impedance. We also introduce the use of the function generator and oscilloscope and make use of both of these instruments to investigate the behaviour of wave-shaping and phase-shifting circuits.

CAPACITANCE

A pair of parallel plates is said to exhibit capacitance since a quantity of charge must be placed on the plates in order to produce a potential difference between them. As a consequence, any change in the potential difference between the plates of a capacitor will result in a change in the amount of charge present.

A capacitor is, in effect, a *reservoir* for charge. Typical applications include reservoir and smoothing capacitance for use in power supplies, coupling a.c. signals between the stages of amplifiers, and decoupling supply rails (i.e., effectively grounding the supply rails to residual a.c. signals and noise).

A capacitor need consist of nothing more than two parallel metal plates as shown in Fig. 2.1. The material between the plates (air, mica, polystyrene, etc) is known as the dielectric.

When the capacitor in Fig. 2.1 is connected to a battery (Fig. 2.2) the potential difference (Voltage, V) will cause a positive charge to appear on plate A and an equal, but opposite, negative charge to appear on plate B. In this condition, an electric field will be set up in the space between the plates (i.e., within the dielectric material). The electric field lines show the direction in which a free positive charge would move. If the battery is reversed, the charge and field lines will simply be reversed (as shown in Fig. 2.3).

In order to explain the action of a capacitor, assume that the capacitor shown in Fig. 2.1 is placed in the circuit shown in Fig. 2.4a. If the switch is left open, no charge will appear on the plates and in this condition there will be no electric field in the space between the plates nor any charge stored in the capacitor.

If, however, the switch is closed (as shown in Fig. 2.4b), electrons will be attracted from the positive plate to the positive terminal of the battery. At the same time, a similar number of electrons will move from the negative terminal of the battery to the negative plate. This sudden movement of electrons will manifest itself in a momentary surge of current (current will flow from the positive terminal of the battery into the positive terminal of the capacitor).

Eventually, enough electrons will have

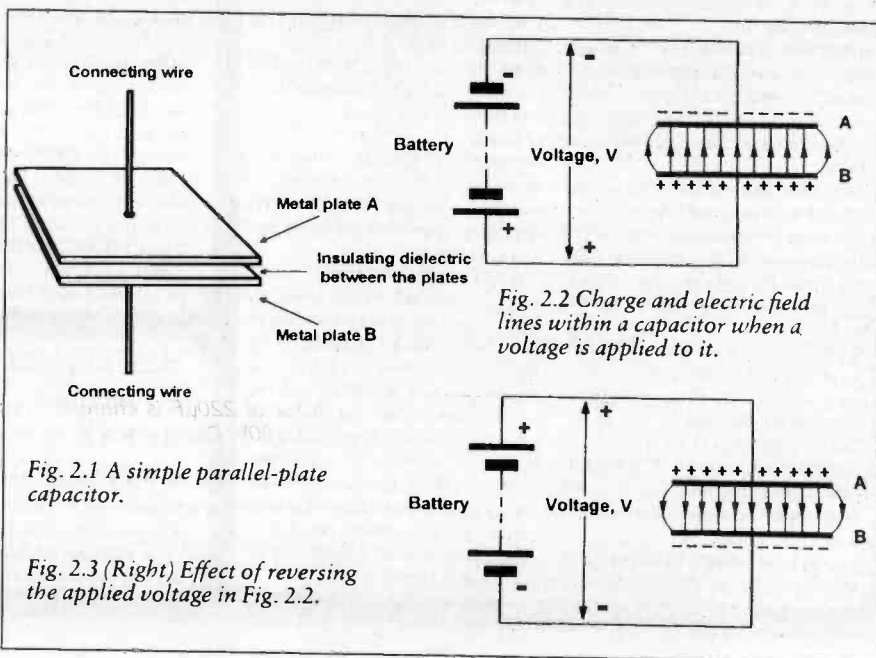
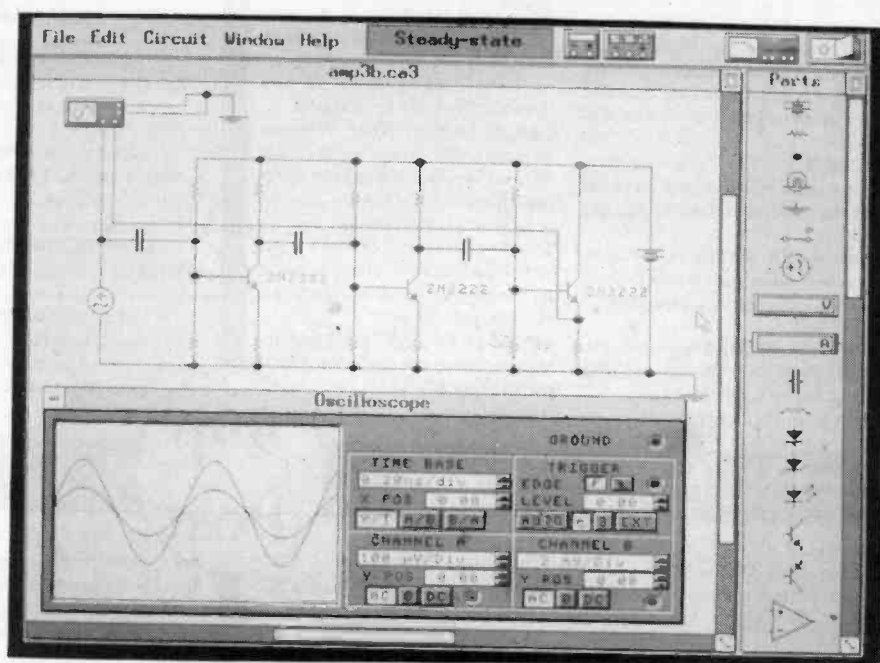


Fig. 2.1 A simple parallel-plate capacitor.

Fig. 2.3 (Right) Effect of reversing the applied voltage in Fig. 2.2.

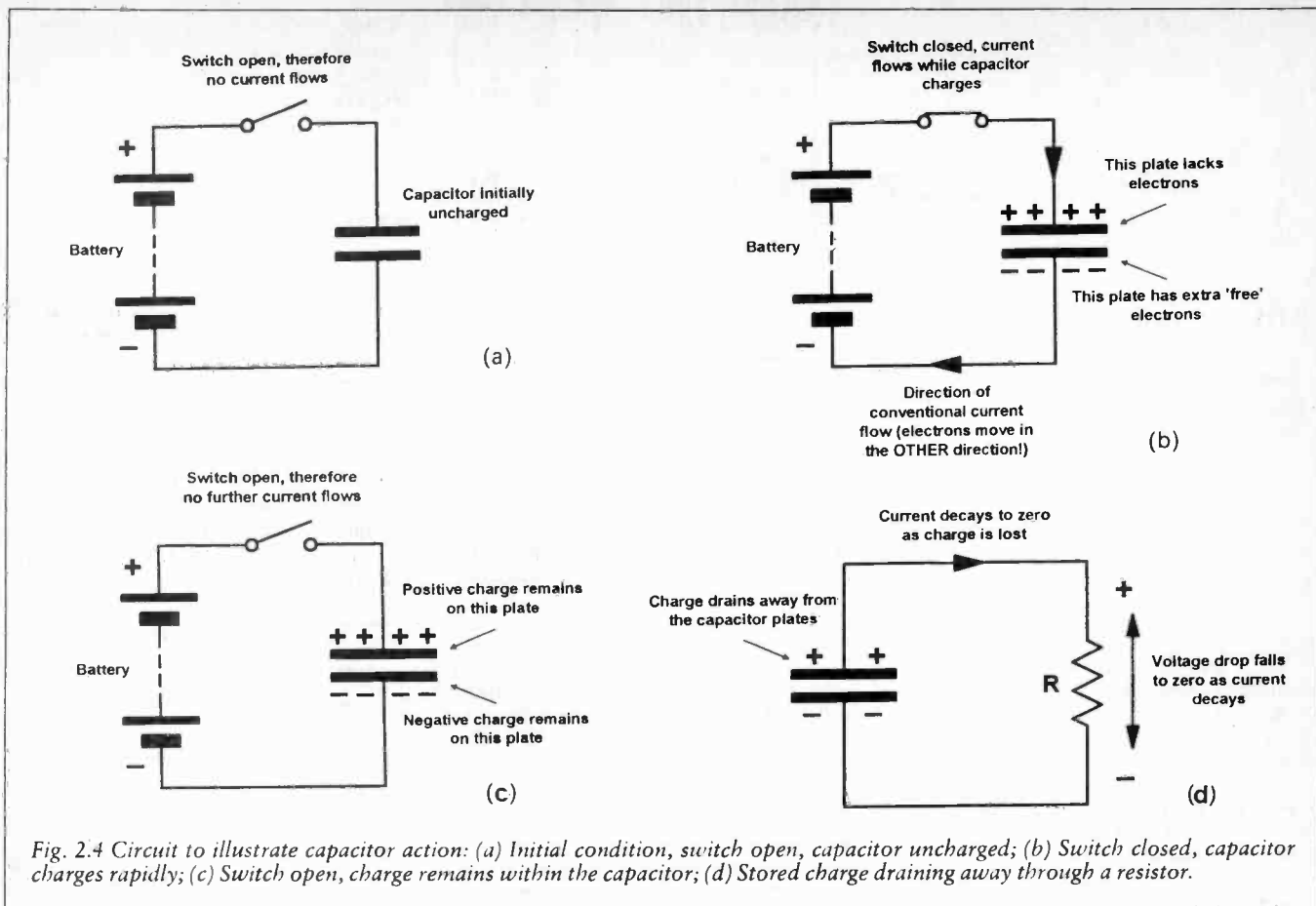


Fig. 2.4 Circuit to illustrate capacitor action: (a) Initial condition, switch open, capacitor uncharged; (b) Switch closed, capacitor charges rapidly; (c) Switch open, charge remains within the capacitor; (d) Stored charge draining away through a resistor.

moved to make the e.m.f. (electromotive force) between the plates the same as that of the battery. In this state, the capacitor is said to be fully charged and an electric field will be present in the space between the two plates. The voltage across the plates increases at a rate which depends upon the product of capacitance (C) and resistance (R) present in the circuit. This quantity (C × R) is known as the *time constant* of the circuit.

If, at some later time the switch is opened (as shown in Fig. 2.4c), the positive plate will be left with a deficiency of electrons whilst the negative plate will be left with a surplus. Furthermore, since there is no path for current to flow between the two plates the capacitor will remain charged and a potential difference will be maintained between the plates.

Now assume that a resistor is connected to the capacitor (as shown in Fig. 2.4d). The excess electrons on the negative plate will flow through the resistor to the positive plate until a neutral state once again exists (i.e., until there is no excess charge on either plate). In this state the capacitor is said to be fully discharged and the electric field between the plates will have disappeared. The movement of electrons during the discharging of the capacitor will again result in a momentary flow of current (current will flow from the positive terminal of the capacitor into the resistor).

THE FARAD

The unit of capacitance is the Farad (F) and a capacitor is said to exhibit a capacitance of 1F if a voltage of 1V would appear across its plates when a charge of 1C is present.

(Note that, conventionally in EPE, the 'F' suffix is omitted from units of capacitance,

though for this series it will be included where appropriate.)

The charge or quantity of electricity that can be stored in the electric field between the capacitor plates is proportional to the applied voltage and the capacitance of the capacitor. Thus:

$$Q = CV$$

where Q is the charge (in Coulombs), C is the capacitance (in Farads), and V is the potential difference (in Volts).

Example

A 10μF capacitor is charged to a potential of 50V. Determine the charge stored.

The charge stored will be given by:

$$Q = C \times V = 10 \times 10^{-6} \times 50 = 500 \mu\text{C} \text{ (microCoulombs)}$$

Energy storage

The energy stored in a capacitor is proportional to the product of the capacitance and the square of the potential difference. Thus:

$$E = \frac{1}{2} CV^2$$

where E is the energy (in Joules), C is the capacitance (in Farads), and V is the potential difference (in Volts).

Example

A capacitor of 220μF is charged from a supply of 100V. Determine the energy stored in the capacitor.

Since $E = \frac{1}{2} CV^2$ the energy stored within the capacitor will be given by:

$$\begin{aligned} E &= \frac{1}{2} \times 220 \times 10^{-6} \times (100)^2 \\ &= 110 \times 10^{-6} \times 10^4 \\ &= 110 \times 10^{-2} = 0.11 \text{ J} \end{aligned}$$

Example

A capacitor of 47μF is required to store

an energy of 4J. Determine the potential difference which must be applied.

The foregoing formula can be rearranged to make V the subject as follows:

$$\begin{aligned} V &= \left(\frac{E}{0.5C} \right)^{0.5} = \left(\frac{2E}{C} \right)^{0.5} = \left(\frac{2 \times 4}{47 \times 10^{-6}} \right)^{0.5} \\ &= 413 \text{ V} \end{aligned}$$

Practical assignment 2.1: Capacitors

In this you will investigate the behaviour of a simple C-R circuit.

Objectives:

- 2.1.1 To investigate the growth of potential difference across the plates of a capacitor whilst it is being charged.
- 2.1.2 To investigate the decay of potential difference across the plates of a capacitor whilst it is being discharged.

Instructions:

1. Connect the circuit shown in Fig. 2.5. The voltmeter is used to indicate the potential difference across the capacitor plates whilst the switch (which can be operated using the 1 key on your keyboard) determines whether the capacitor is being charged via a 100kΩ resistor from the 10V supply or discharged through another 100kΩ resistor.
2. Switch on the power to your circuit. Operate the switch (using the 1 key) and allow the capacitor to charge. Using the built-in clock display at the top of the screen, measure the potential difference across the capacitor plates after each interval of 50s. Record your results in Table 2.1.
3. When the time reaches 600s, the capacitor can be considered to be fully

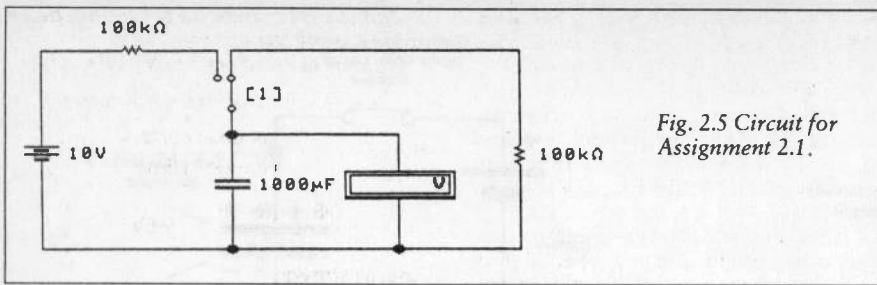


Fig. 2.5 Circuit for Assignment 2.1.

Table 2.1 Measured values for Assignment 2.1.

Time (s)	0	50	100	150	200	250	300	350	400	450	500	550	600
Voltage (V)													

Table 2.2 Measured values for Assignment 2.1.

Time (s)	600	650	700	750	800	850	900	950	1000	1050	1100	1150	1200
Voltage (V)													

charged (the potential difference across the plates should be very close to 10V). Now operate the switch (using the 1 key) to allow the capacitor to discharge. Continue recording the potential difference after each interval of 50s. Show your results in Table 2.2.

- Use the results from Tables 2.1 and 2.2 to plot graphs showing potential difference plotted against time for charge and discharge respectively. Note that the time axis values for the discharge graph are found by subtracting 600 (the point at which you initiated the discharge cycle) from each clock reading. Your graphs should look like those shown in Fig. 2.6 and Fig. 2.7.
- Determine the time constant ($C \times R$) of

the circuit and mark this on the time scale of each graph. Determine the voltage that appears across the plates of the capacitor at this point.

Conclusions:

To what extent have the objectives for this assignment been met? Comment on the shape of the graphs. After what time is it reasonable to consider that the capacitor is fully charged or fully discharged? Relate this to the time constant.

Series and parallel combination of capacitors

In order to obtain a particular value of capacitance, fixed capacitors may be arranged in either series or parallel (Fig. 2.8 and Fig. 2.9).

The reciprocal of the effective capacitance of each of the series circuits shown in Fig. 2.8 is equal to the sum of the reciprocals of the individual capacitances. Hence, for Fig. 2.8a:

$$\frac{1}{C} = \frac{1}{C_1} + \frac{1}{C_2}$$

whilst for Fig. 2.8b:

$$\frac{1}{C} = \frac{1}{C_1} + \frac{1}{C_2} + \frac{1}{C_3}$$

In the former case, the formula can be more conveniently re-arranged as follows:

$$C = \frac{C_1 \times C_2}{C_1 + C_2}$$

(This can be simply remembered as the product of the two capacitor values divided by the sum of the two values.)

For parallel arrangements of capacitors, the effective capacitance of the circuit is simply equal to the sum of the individual capacitances. Hence, for Fig. 2.9a:

$$C = C_1 + C_2$$

Whilst for Fig. 2.9b:

$$C = C_1 + C_2 + C_3$$

Example

What value of capacitance should be connected in parallel with a $1\mu\text{F}$ capacitor to make a total capacitance of $3.2\mu\text{F}$?

Now $C = C_1 + C_2$ where $C = 3.2\mu\text{F}$ and $C_1 = 1\mu\text{F}$

thus $C_2 = C - C_1 = 3.2\mu\text{F} - 1\mu\text{F} = 2.2\mu\text{F}$

Example

Two capacitors, each of 10nF are wired in series. Determine the effective capacitance of this combination.

Now $C = \frac{C_1 \times C_2}{C_1 + C_2}$ where $C_1 = C_2 = 10\text{nF}$

thus $C = \frac{10\text{n} \times 10\text{n}}{10\text{n} + 10\text{n}} = \frac{100\text{n}}{20\text{n}} = 5\text{nF}$

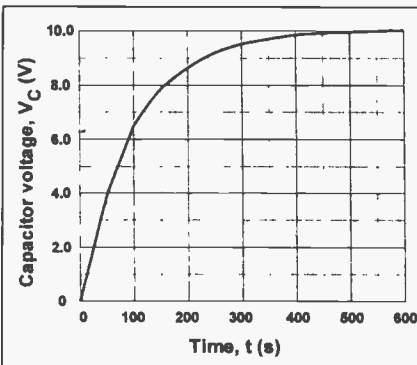


Fig. 2.6 Capacitor voltage plotted against time (charge).

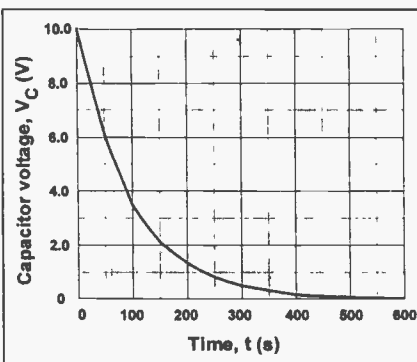


Fig. 2.7 Capacitor voltage plotted against time (discharge).

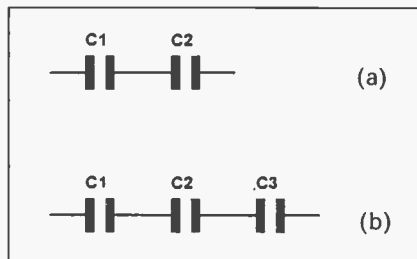


Fig. 2.8 Series connected capacitors: (a) two capacitors in series; (b) three capacitors in series.

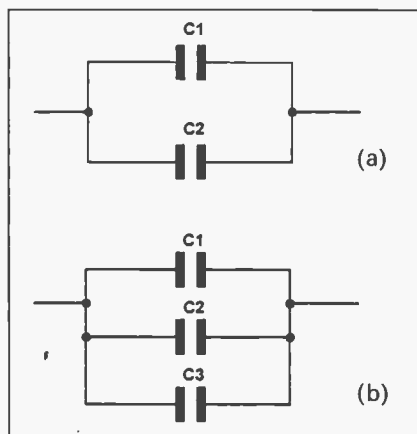


Fig. 2.9 Parallel connected capacitors: (a) two capacitors in parallel; (b) three capacitors in parallel.

INDUCTANCE

Inductance is the property of a coiled conductor that opposes a change in the value of current flowing in it. Any change in the current applied to a coil/inductor will result in an induced voltage appearing across it. An inductor need consist of nothing more than a coiled conductor wound onto an air or ferromagnetic core, as shown in Fig. 2.10.

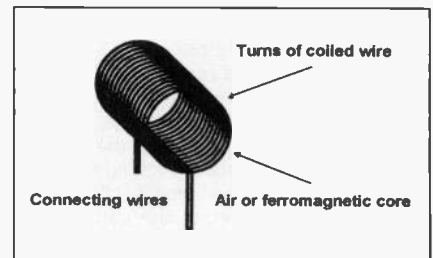


Fig. 2.10 A simple air-cored inductor.

In practice every coil comprises both inductance and resistance and the circuit of Fig. 2.11 shows these as two discrete components. In reality the inductance and resistance are both distributed throughout the component but it is convenient to treat the inductance and resistance as separate components in a detailed analysis of the circuit.

In order to explain the action of an inductor, assume that the inductor shown in Fig. 2.10 is wound on a magnetic core, as

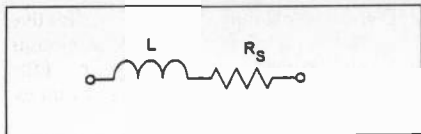


Fig. 2.11 Equivalent circuit of a coil or choke containing inductance and series loss resistance.

shown in Fig. 2.12. When the inductor is connected to a battery, a current will flow in the inductor and a magnetic field will be set up in the core. The magnetic field lines show the direction in which a free north pole would move. If the battery (and current) is reversed, the field lines will simply be reversed (as shown in Fig. 2.13).

Now consider the circuit shown in Fig. 2.14 which shows the inductor together with its d.c. loss resistance connected to a battery via a switch. If the switch is left open (Fig. 2.14a), no current will flow and no magnetic field will appear in the core.

If the switch is now closed (Fig. 2.14b), current will begin to flow as energy is taken from the supply in order to establish the magnetic field. However, the change in magnetic flux resulting from the appearance of current creates a voltage (an induced e.m.f.) across the coil which opposes the applied e.m.f. from the battery.

The induced e.m.f. results from the changing flux and it effectively prevents an instantaneous rise in current in the circuit. Instead, the current increases slowly to a maximum at a rate which depends upon

the ratio of inductance (L) to resistance (R) present in the circuit. This quantity (L/R) is known as the *time constant* of the circuit.

After a while, a steady state condition will be reached in which the voltage across the inductor will have decayed to zero and the current will have reached a maximum value (determined by the ratio of V to R, i.e., Ohm's Law).

If, after this steady state condition has been achieved, the switch is opened (Fig. 2.14c), the magnetic field will suddenly collapse and the energy will be returned to the circuit in the form of a "back e.m.f." which will appear across the coil as the field collapses.

The Henry

The unit of inductance is the Henry (H) and a coil is said to have an inductance of 1H if a voltage of 1V is induced across it when a current changing at the rate of 1A/s is flowing in it.

The voltage induced across the terminals of an inductor will thus be proportional to the product of the inductance (L) and the rate of change of current. Hence:

$$e = -L \times (\text{rate of change of current})$$

(Note that the minus sign indicates the polarity of the voltage, i.e., in opposition to the change.)

Example

A current increases uniformly from 2A to 6A in a period of 250ms. If this current

is applied to an inductor of 600mH, determine the voltage induced.

Now the induced voltage will be given by:

$$e = -L \times (\text{rate of change of current})$$

$$\text{thus } e = -L \times \frac{\text{change in current}}{\text{change in time}}$$

$$= \frac{0.6 \times (6 - 2)}{0.25} = -9.6V$$

Energy storage

The energy stored in an inductor is proportional to the product of the inductance and the square of the current. Thus:

$$E = \frac{1}{2} L I^2$$

where E is the energy (in Joules), L is the inductance (in Henries), and I is the current (in Amps).

Example

An inductor of 20mH is required to store an energy of 2.5J. Determine the current which must be applied.

The foregoing formula can be re-arranged to make I the subject as follows:

$$I = \left(\frac{E}{0.5 L} \right)^{0.5} = \left(\frac{2E}{L} \right)^{0.5}$$

$$= \left(\frac{2 \times 2.5}{20 \times 10^{-3}} \right)^{0.5} = 15.811A$$

Practical assignment 2.2: Inductors

In this assignment you will investigate the behaviour of a simple L-R circuit.

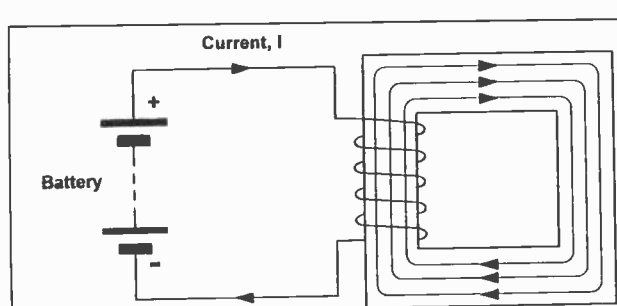


Fig. 2.12 Magnetic field lines within an inductor when current is flowing through it.

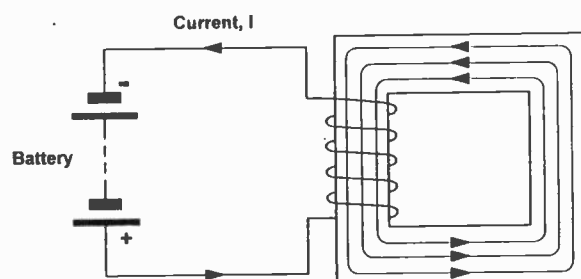


Fig. 2.13 Effect of reversing the current in Fig. 2.2.

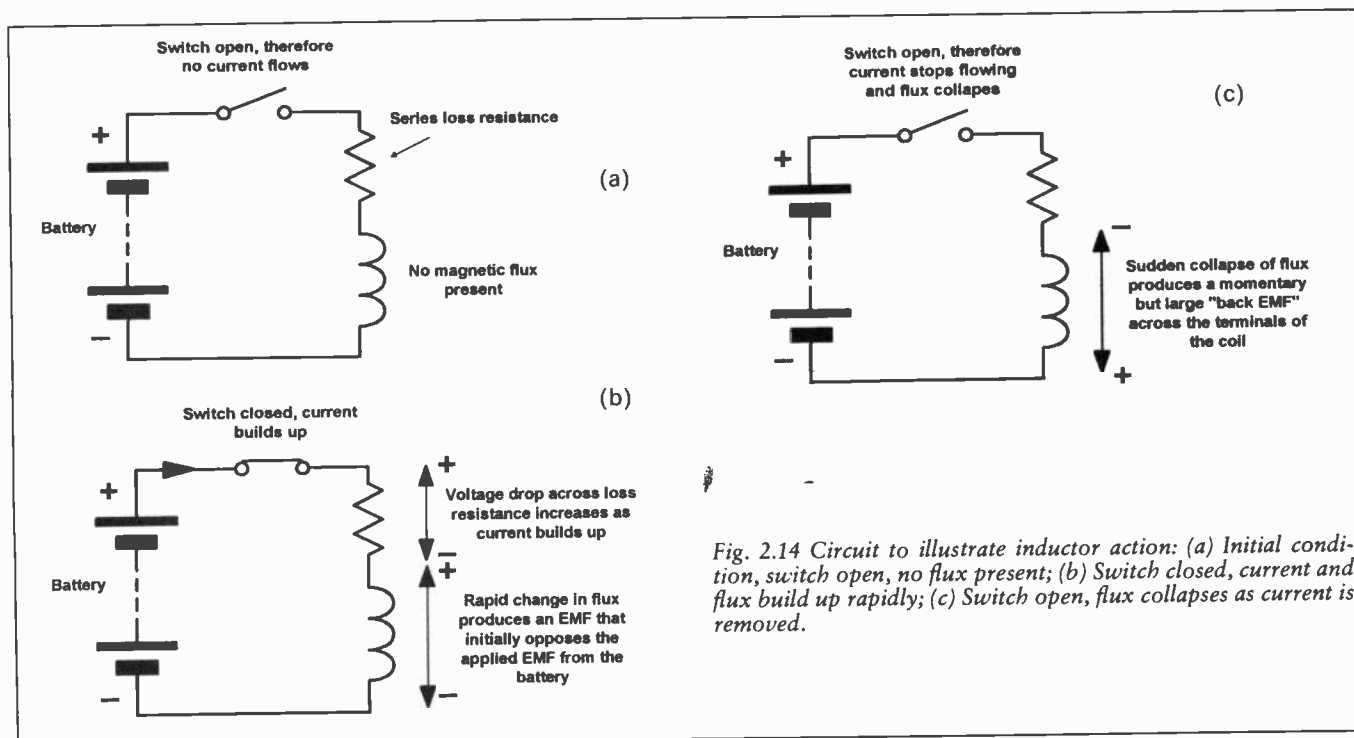


Fig. 2.14 Circuit to illustrate inductor action: (a) Initial condition, switch open, no flux present; (b) Switch closed, current and flux build up rapidly; (c) Switch open, flux collapses as current is removed.

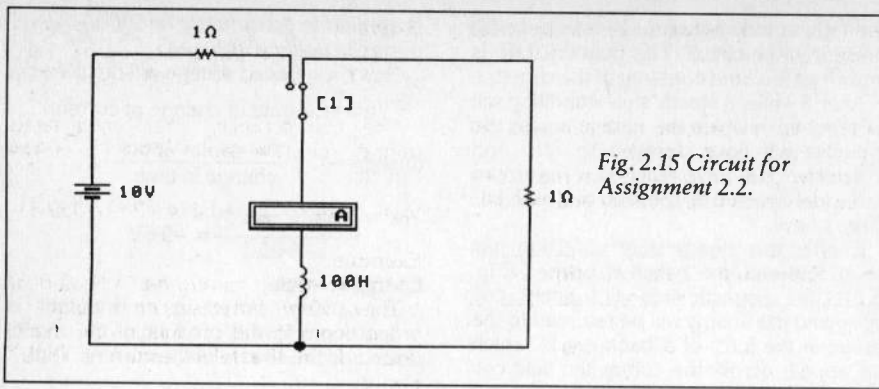


Fig. 2.15 Circuit for Assignment 2.2.

Table 2.3 Measured values for Assignment 2.2.

Time (s)	0	50	100	150	200	250	300	350	400	450	500	550	600
Current (A)													

Table 2.4 Measured values for Assignment 2.2.

Time (s)	600	650	700	750	800	850	900	950	1000	1050	1100	1150	1200
Current (A)													

Objectives:

- 2.2.1 To investigate the growth of current in an inductor when it is connected to a supply.
- 2.2.2 To investigate the decay of current in an inductor when it is disconnected from a supply.

Instructions:

1. Connect the circuit shown in Fig. 2.15. The ammeter is used to indicate the current in the inductor whilst the switch (which can be operated using the 1 key on your keyboard) determines whether the inductor is connected to, or disconnected from, the supply.
2. Switch on the power to your circuit. Operate the switch (using the 1 key) and connect the inductor to the supply. Using the built-in clock display at the top of the screen measure the current flowing in the inductor after each interval of 50s. Record your results in Table 2.3.
3. When the time reaches 600s, (the current flowing should be very close to 10A). Now operate the switch (using the 1 key) to disconnect the inductor from the supply. Continue recording the current flowing after each interval of 50s. Show your results in Table 2.4.
4. Use the results from Tables 2.3 and 2.4 to plot graphs showing current plotted against time in the same way as for Assignment 2.1. respectively. Note that the time axis values for the second graph are found by subtracting 600 (the point at which you operated the switch) from each clock reading. Your graphs should look like those shown in Fig. 2.16 and Fig. 2.17.
5. Determine the time constant (L/R) of the circuit and mark this on the time scale of each graph. Determine the current that flows in the inductor at this point.

Conclusions:

To what extent have the objectives for this assignment been met? Comment on the shape of the graphs. After what time is it reasonable to consider that there is no further change in the inductor current? Relate this to the time constant.

Series and parallel combinations of inductors

In order to obtain a particular value of

inductance, fixed inductors may be arranged in either series or parallel as shown in Fig. 2.18 and Fig. 2.19.

The effective inductance of each of the series circuits shown in Fig. 2.18 are simply equal to the sum of the individual inductances. Hence, for Fig. 2.18a:

$$L = L_1 + L_2$$

Whilst for Fig. 2.18b:

$$L = L_1 + L_2 + L_3$$

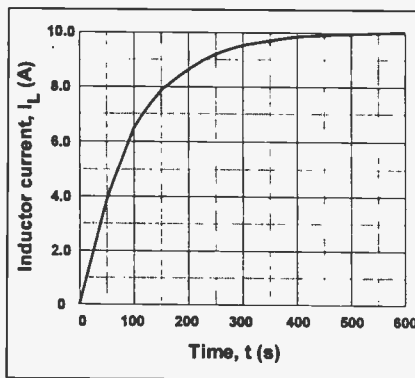


Fig. 2.16 Inductor current plotted against time (current growth).

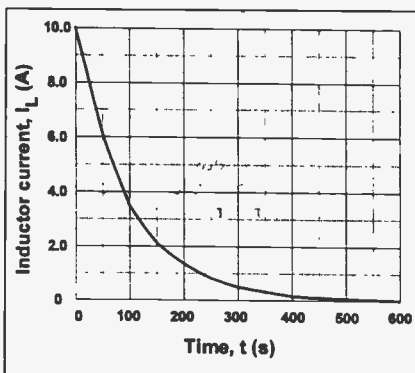


Fig. 2.17 Inductor current plotted against time (current decay).

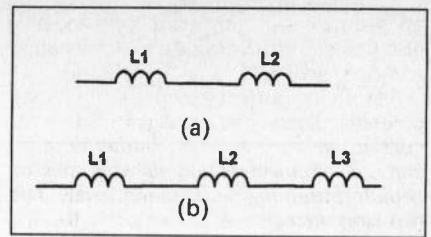


Fig. 2.18 Series connected inductors: (a) two inductors in series; (b) three inductors in series.

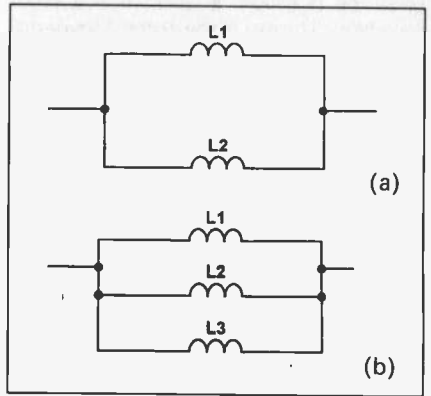


Fig. 2.19 Parallel connected inductors: (a) two inductors in parallel; (b) three inductors in parallel.

Turning to the parallel inductors shown in Fig. 2.19, the reciprocal of the effective inductance of each circuit is equal to the sum of the reciprocals of the individual inductances. Hence, for Fig. 2.19a:

$$\frac{1}{L} = \frac{1}{L_1} + \frac{1}{L_2}$$

whilst for Fig. 2.19b:

$$\frac{1}{L} = \frac{1}{L_1} + \frac{1}{L_2} + \frac{1}{L_3}$$

In the former case, the formula can be more conveniently re-arranged as follows:

$$L = \frac{L_1 \times L_2}{L_1 + L_2}$$

(This can be simply remembered as the product of the two inductance values divided by the sum of the two values.)

Example

A 10mH inductor is connected in parallel with a 47mH inductor. What is the effective inductance of this combination?

$$\begin{aligned} \text{Now } L &= \frac{L_1 \times L_2}{L_1 + L_2} = \frac{10\text{m} \times 47\text{m}}{10\text{m} + 47\text{m}} \\ &= \frac{470\text{m}}{57\text{m}} = 8.25\text{mH} \end{aligned}$$

Example

Three inductors of 27mH are connected in series. Determine the effective inductance of this combination.

$$\begin{aligned} \text{Now } L &= L_1 + L_2 + L_3 \\ &= 27\text{m} + 27\text{m} + 27\text{m} = 81\text{mH} \end{aligned}$$

AC CIRCUITS

So far in *Electronics from the Ground Up* we have dealt with currents that, even though their magnitudes may vary, essentially flow only in one direction. These are direct currents. Alternating currents, on the other hand, are bidirectional and continuously reversing their direction of flow. The polarity of the e.m.f. which produces

an alternating current must consequently also be changing from positive to negative, and vice versa.

Alternating currents produce alternating potential differences (voltages) in the circuits in which they flow. Furthermore, in some circuits, alternating voltages may be superimposed on direct voltage levels. The resulting voltage may be unipolar (i.e., always positive or always negative) or bipolar (i.e., partly positive and partly negative).

Waveforms

A graph showing the variation of voltage or current present in a circuit is known as a waveform. The are many common types of waveform encountered in electrical circuits including sine (or sinusoidal), square, triangle, ramp or sawtooth (which may be either positive or negative going), and pulse. Complex waveforms like speech or music usually comprise many components at different frequencies. Pulse waveforms are often categorized as either repetitive or non-repetitive (the former comprises a pattern of pulses which regularly repeats, whilst the latter comprises pulses which constitute a unique event). Several of the most common waveform types are shown in Fig. 2.20.

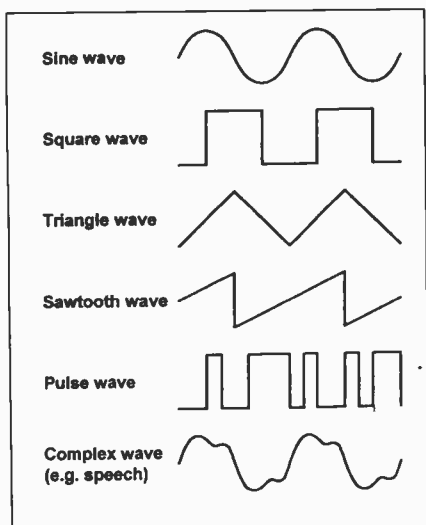


Fig. 2.20 Some common waveforms.

Frequency and periodic time

The frequency of a repetitive waveform is the number of cycles of the waveform which occur in unit time. Frequency is expressed in Hertz (Hz). A frequency of 1Hz is equivalent to one cycle per second. Hence, if a voltage has a frequency of 400Hz, 400 cycles will occur in every second.

The periodic time (or period) of a waveform is the time taken for one complete cycle of the wave (see Fig. 2.21).

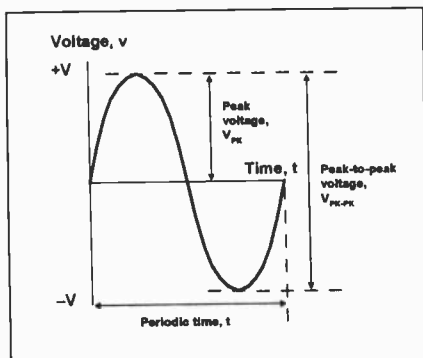


Fig. 2.21 One cycle of a sine wave.

The relationship between periodic time and frequency is thus:

$$t = 1/f \quad \text{or} \quad f = 1/t$$

where t is the periodic time (in seconds) and f is the frequency (in Hz).

The following table gives some representative values of frequency and periodic time:

Frequency	Periodic time
1Hz	1s
10Hz	100ms
50Hz	20ms
100Hz	10ms
400Hz	2.5ms
1kHz	1ms
10kHz	100 μ s
100kHz	10 μ s
1MHz	1 μ s

Example

A waveform has a frequency of 400Hz. What is the periodic time of the waveform?

$$t = 1/f = 1/400 = 0.0025\text{s (or 2.5ms)}$$

Hence the waveform has a periodic time of 2.5ms.

Example

A waveform has a periodic time of 40ms. What is its frequency?

$$f = 1/t = \frac{1}{40 \times 10^{-3}} = \frac{1}{0.04} = 25\text{Hz}$$

Hence the frequency is 25Hz.

Average, peak, peak-peak, and r.m.s. values

The average value of an alternating current which swings symmetrically above and below zero will obviously be zero when measured over a long period of time. Hence average values of currents and voltages are invariably taken over a complete half-cycle (either positive or negative) rather than over on complete full-cycle (which would result in an average value of zero).

The amplitude (or peak value) of a waveform is a measure of the extent of its voltage or current excursion from the resting value (usually zero). The peak-to-peak value for a wave which is symmetrical about its resting value is twice its peak value (see Fig. 2.21).

The root mean square (r.m.s. or effective) value of an alternating voltage or current is the value which would produce the same heat energy in a resistor as a direct voltage or current of the same magnitude. The r.m.s. value of a waveform is very much dependent upon its shape. Thus r.m.s. values are, therefore, only meaningful when dealing with a waveform of known shape. Where the shape of a waveform is not specified, r.m.s. values are normally assumed to refer to sinusoidal conditions.

For a given waveform, a set of fixed relationships exists between average, peak, peak-peak, and r.m.s. values. The required multiplying factors are summarized below for sinusoidal voltages and currents:

Given qty.	Wanted quantity			
	av.	peak	p-p	r.m.s.
average	1	1.57	3.14	1.11
peak	0.636	1	2	0.707
peak-peak	0.318	0.5	1	0.353
r.m.s.	0.9	1.414	2.828	1

Example

A sinusoidal voltage has an r.m.s. value of 240V. What is the peak value of the voltage?

The corresponding multiplying factor (found from the table above) is 1.414. Hence:

$$V_{pk} = 1.414 \times V_{r.m.s.} = 1.414 \times 240 = 339.4\text{V}$$

Example

An alternating current has a peak-peak value of 50mA. What is its r.m.s. value?

The corresponding multiplying factor (found from the table above) is 0.353. Hence:

$$I_{r.m.s.} = 0.353 \times I_{pk-pk} \\ = 0.353 \times 0.05 = 0.0177\text{A (or 17.7mA)}$$

Example

A sinusoidal voltage 10V pk-pk is applied to a resistor of 1k Ω . What value of r.m.s. current will flow in the resistor?

This problem must be solved in two stages. First we will determine the peak-peak current in the resistor and then we shall convert this value into a corresponding r.m.s. quantity.

$$\text{Since: } I = V/R, \quad I_{pk-pk} = V_{pk-pk}/R$$

$$\text{Hence: } I_{pk-pk} = 10V_{pk-pk}/1k\Omega = 10\text{mA}_{pk-pk}$$

The required multiplying factor (peak-peak to r.m.s.) is 0.353. Thus:

$$I_{r.m.s.} = 0.353 \times I_{pk-pk} \\ = 0.353 \times 10\text{mA} = 3.53\text{mA}$$

THE FUNCTION GENERATOR

Electronics Workbench provides a versatile function generator that can be used to generate sine, square and triangle waveforms having a specified frequency, duty cycle, amplitude and d.c. offset. The instrument provides positive and negative (complementary) outputs (this simply means that the voltage at the "-" output is the inverse (opposite) of the voltage at the "+" output). In most applications we only need to use the "+" output and the "com" (common) terminal is taken to ground.

Like ordinary components, you can use the mouse to move the function generator around within the breadboard area. Connections to the function generator are made using the three terminals marked "+", "-", and "com". You can reveal the function generator's front-panel display by simply double clicking on its symbol. Function generator settings can then be very easily adjusted simply by clicking the mouse on the scroll bars or by clicking and entering values in the relevant text box.

THE OSCILLOSCOPE

The oscilloscope in *Electronics Workbench* provides you with a very similar set of controls to those found on a real instrument. The oscilloscope has two channels (A and B) and each channel corresponds to a separate screen trace. The vertical (Y) calibration, in terms of volts per division ("V/Div") can be individually adjusted using the appropriate scroll bars, as can be the vertical offset (using the "Y POS") controls. The input source can be switched between "AC", "0" (ground), and "DC" (you should normally use the "AC" setting when a d.c. voltage is present along with the a.c. signal that you wish to display).

In order to display time related waveforms the "Y/T" button should be selected and the horizontal (X) calibration (in terms of time per division ("ms/div") adjusted to provide

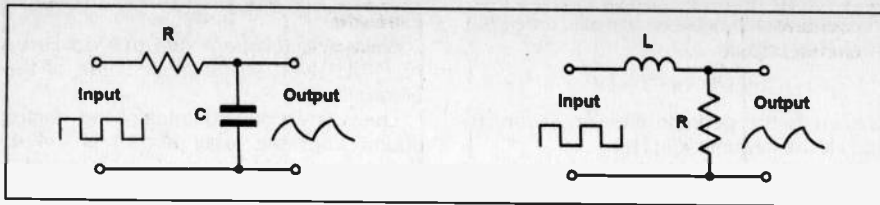


Fig. 2.22 Integrating circuits.



Fig. 2.23 Differentiating circuits.

a suitable time scale. The oscilloscope timebase can be triggered from either channel A or channel B or from an external trigger source. There is also an automatic setting "AUTO" which can cope with most situations. Triggering can also be selected on either the positive or negative edge of an input signal using the "EDGE" selector buttons.

WAVESHAPING CIRCUITS

Simple capacitor-resistor (C-R) and inductor-resistor (L-R) circuits can be used to modify the shape of a square wave or rectangular pulse. A square wave can be converted into a triangle wave approximation by means of the integrating circuits shown in Fig. 2.22. Alternatively, a series of short pulses can be produced by the differentiating circuits shown in Fig. 2.23. The effectiveness of the circuits is determined by the value of time constant ($C \times R$ or L/R , as appropriate) in relation to the periodic time. In the case of the integrating circuits, the time constant should be very much larger than the periodic time of the signal. For the differentiating circuits, the time constant should be very much smaller than the periodic time of the signal.

Practical assignment 2.3:

C-R waveshaping circuit

In this assignment you will investigate the behaviour of a simple C-R integrating circuit using a function generator and an oscilloscope.

Objectives:

- 2.3.1 To investigate the action of a C-R integrating circuit.
- 2.3.2 To use a function generator and oscilloscope to generate and examine waveforms.

Instructions:

1. Connect the circuit shown in Fig. 2.24 using a capacitor of $1\mu\text{F}$. The function generator provides a square wave input voltage whilst the oscilloscope is used to simultaneously display the input and output waveforms. The function generator and oscilloscope should be initially adjusted as shown in Fig. 2.24.
2. Display the waveforms on the screen of the oscilloscope (you should take this opportunity to experiment with the instrument settings until you become familiar with their function). Note the shape of the output waveform (you might like to make a sketch of it) and measure its peak-peak voltage using the vertical scale.

3. Change the value of capacitance to $10\mu\text{F}$ and repeat stage 2 (you may have to make some adjustment to the channel A calibration and Y position in order to obtain a suitable display).
4. Change the value of capacitance to $0.1\mu\text{F}$

and repeat stage 2 (again, you may have to make some adjustment to the channel A calibration and Y position in order to obtain a suitable display).

5. Calculate the time constant for each value of capacitor ($1\mu\text{F}$, $10\mu\text{F}$ and $0.1\mu\text{F}$). Mark the time constant on your waveform sketches.

Conclusions:

To what extent have the objectives for this assignment been met? Can you explain, in your own words, how the circuit works (relate this to Assignment 2.1)? Which value of time constant produces the most effective integration of the waveform? How does this value of time constant relate to the periodic time of the signal?

Practical assignment 2.4: L-R waveshaping circuit

In this assignment you will investigate the behaviour of a simple L-R differentiating circuit using a function generator and an oscilloscope.

Objectives:

- 2.4.1 To investigate the action of an L-R integrating circuit.

Fig. 2.24 Circuit and instrument settings for Assignment 2.3.

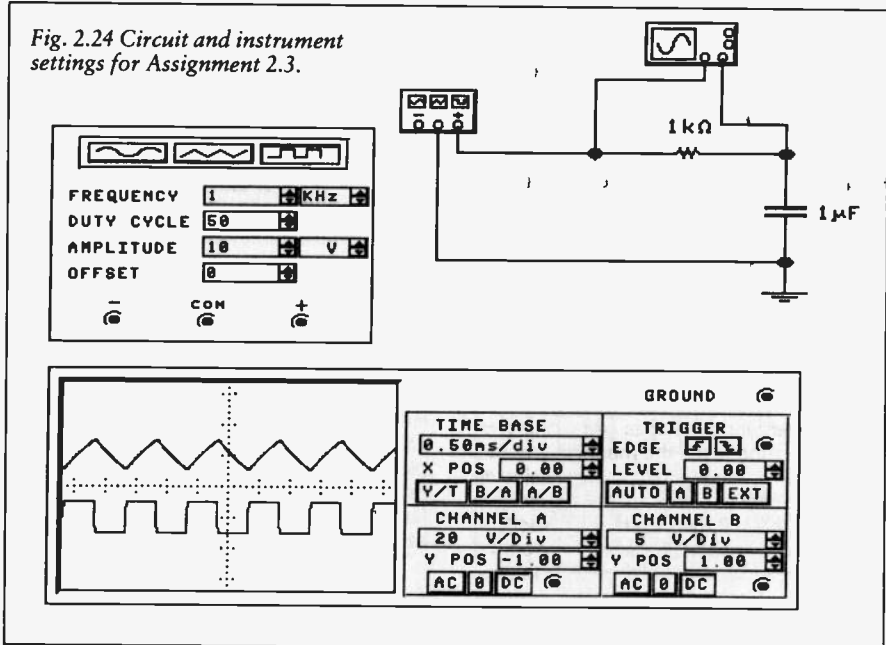
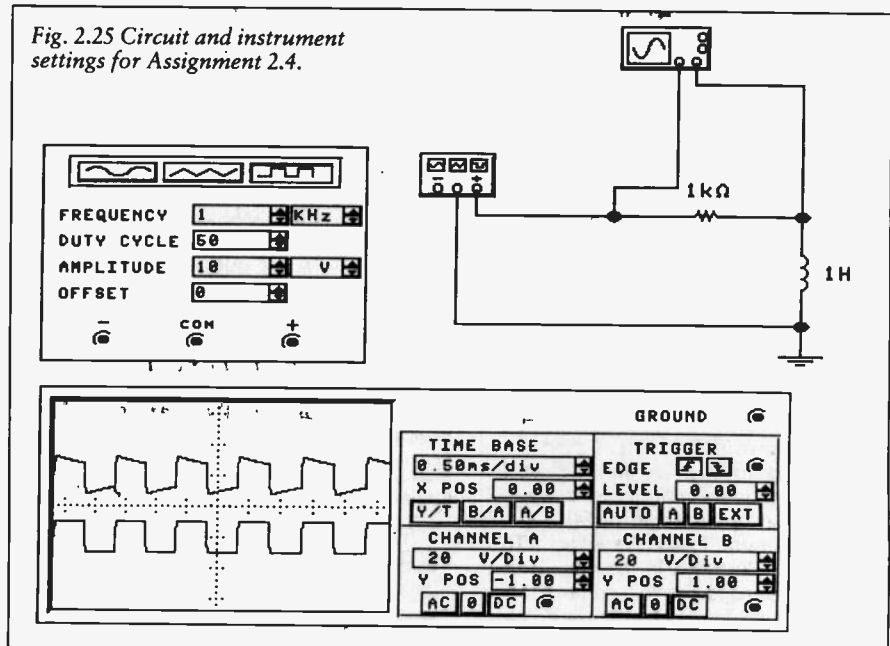


Fig. 2.25 Circuit and instrument settings for Assignment 2.4.



2.4.2 To use a function generator and oscilloscope to generate and examine waveforms.

Instructions:

1. Connect the circuit shown in Fig. 2.25 using an inductor of 1H. The function generator provides a square wave input voltage whilst the oscilloscope is used to simultaneously display the input and output waveforms. The function generator and oscilloscope should be initially adjusted as shown in Fig. 2.25.
2. Display the waveforms on the screen of the oscilloscope (once again, you should take this opportunity to experiment with the instrument settings until you become familiar with their function). Note the shape of the output waveform (you might like to make a sketch of it) and measure its peak-peak voltage using the vertical scale.
3. Change the value of inductance to 10H and repeat stage 2 (you may have to make some adjustment to the channel A calibration and Y position in order to obtain a suitable display).
4. Change the value of inductance to 0.1H and repeat stage 2 (again, you may have to make some adjustment to the channel A calibration and Y position in order to obtain a suitable display).
5. Calculate the time constant for each value of inductor (1H, 10H and 0.1H). Mark the time constant on your waveform sketches.

Conclusions:

To what extent have the objectives for this assignment been met? Can you explain, in your own words, how the circuit works (relate this to Assignment 2.2)? Which value of time constant produces the most effective differentiation of the waveform? How does this value of time constant relate to the periodic time of the signal?

REACTANCE AND IMPEDANCE

When alternating voltages are applied to capacitors or inductors the magnitude of the current flowing will depend upon the value of capacitance or inductance and on the frequency of the voltage. In effect, capacitors and inductors oppose the flow of current in much the same way as a resistor. The important difference being that the effective resistance (or reactance) of the component varies with frequency (unlike the case of a conventional resistor where the magnitude of the current does not change with frequency).

Capacitive reactance

The reactance of a capacitor is defined as the ratio of applied voltage to current and, like resistance, it is measured in Ω . The reactance of a capacitor is inversely proportional to both the value of capacitance and the frequency of the applied voltage. Capacitive reactance can be found by applying the following formula:

$$X_C = \frac{V_C}{I_C} = \frac{1}{2\pi f C}$$

where X_C is the reactance in Ω , f is the frequency in Hz, and C is the capacitance in F.

Capacitive reactance falls as frequency increases, as shown in Fig. 2.26.

The applied voltage, V_C , and current, I_C , flowing in a pure capacitive reactance will differ in phase by an angle of 90° or $\pi/2$ radians (the current "leads" the voltage). This relationship is illustrated in the current and voltage waveforms (drawn to a common time scale) shown in Fig. 2.27 and as a phasor diagram shown in Fig. 2.28.

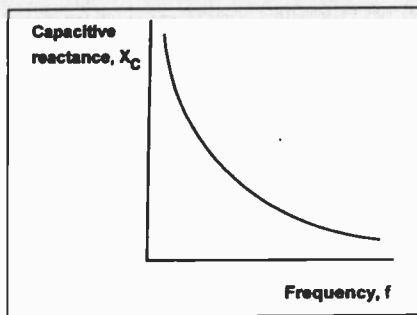


Fig. 2.26 Variation of capacitive reactance with frequency.

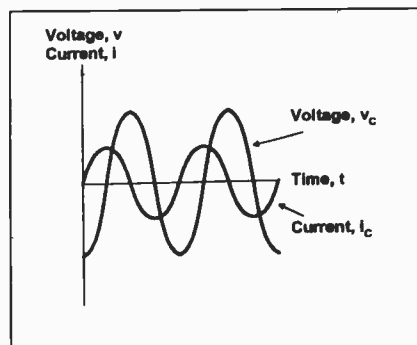


Fig. 2.27 Relationship between voltage and current for a pure capacitive reactance.

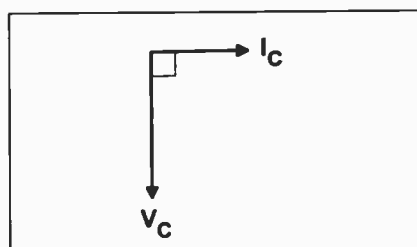


Fig. 2.28 Phasor diagram for Fig. 2.27.

Example

Determine the reactance of a $1\mu\text{F}$ capacitor at (a) 100Hz and (b) 10kHz.

(a) At 100Hz, $X_C = \frac{1}{2 \times \pi \times 100 \times 1 \times 10^{-6}}$

or $X_C = \frac{0.159}{10^{-4}} = 0.159 \times 10^4$

Thus $X_C = 1.59\text{k}\Omega$

(b) At 10kHz, $X_C = \frac{1}{2 \times \pi \times 10000 \times 1 \times 10^{-6}}$

or $X_C = \frac{0.159}{10^{-2}} = 0.159 \times 10^2$

Thus $X_C = 15.9\Omega$

Example

A 100nF capacitor is to form part of a filter connected across a 240V 50Hz mains supply. What current will flow in the capacitor?

First we must find the reactance of the capacitor:

$$X_C = \frac{1}{2 \times \pi \times 50 \times 100 \times 10^{-9}} = 31.8\text{k}\Omega$$

The r.m.s. current flowing in the capacitor will be:

$$I_C = \frac{V_C}{X_C} = \frac{240\text{V}}{31.8\text{k}\Omega} = 7.5\text{mA}$$

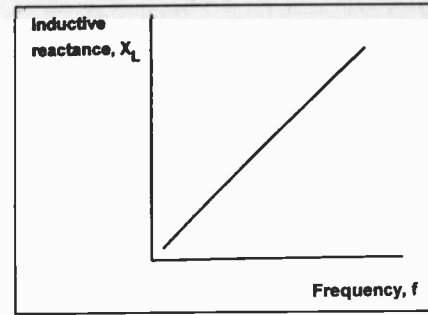


Fig. 2.29 Variation of inductive reactance with frequency.

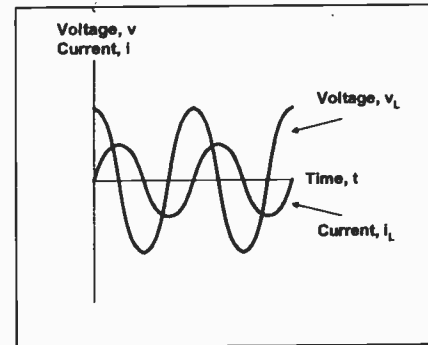


Fig. 2.30 Relationship between voltage and current for a pure inductive reactance.

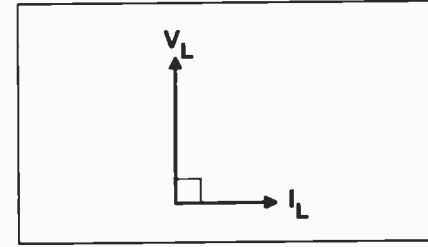


Fig. 2.31 Phasor diagram for Fig. 2.30.

Inductive reactance

The reactance of an inductor is defined as the ratio of applied voltage to current and, like resistance, it is measured in Ω . The reactance of an inductor is directly proportional to both the value of inductance and the frequency of the applied voltage. Inductive reactance can be found by applying the formula:

$$X_L = \frac{V_L}{I_L} = 2\pi f L$$

where X_L is the reactance in Ω , f is the frequency in Hz, and L is the inductance in H.

Inductive reactance increases linearly with frequency as shown in Fig. 2.29.

The applied current, I_L , and voltage, V_L , developed across a pure inductive reactance will differ in phase by an angle of 90° or $\pi/2$ radians (the current lags the voltage). This relationship is illustrated in the current and voltage waveforms (drawn to a common time scale) shown in Fig. 2.30 and as a phasor diagram shown in Fig. 2.31.

Example

Determine the reactance of a 10mH inductor at (a) 100Hz and (b) at 10kHz.

(a) At 100Hz, $X_L = 2\pi \times 100 \times 10 \times 10^{-3}$

Thus $X_L = 6.28\Omega$

(b) At 10kHz, $X_L = 2\pi \times 10000 \times 10 \times 10^{-3}$

Thus $X_L = 628\Omega$

Example

A 100mH inductor is to form part of a

filter which carries a current of 20mA at 400Hz. What voltage drop will be developed across the inductor?

The reactance of the inductor will be given by:

$$X_L = 2\pi \times 400 \times 100 \times 10^{-3} = 251 \Omega$$

The r.m.s. voltage developed across the inductor will be given by:

$$V_L = I_L \times X_L = 20\text{mA} \times 251 \Omega = 5.02\text{V}$$

In this example, it is important to note that we have assumed that the d.c. resistance of the inductor is negligible by comparison with its reactance. Where this is not the case, it is necessary to determine the impedance of the component and use this to determine the voltage drop.

Impedance

Two circuits are shown in Fig. 2.32 which contain both resistance and reactance. These circuits are said to exhibit impedance (a combination of resistance and reactance). Like resistance and reactance, impedance is measured in Ω . In the case of the circuits shown in Fig. 2.32, it is simply the ratio of applied voltage (V_S) to current (I_S).

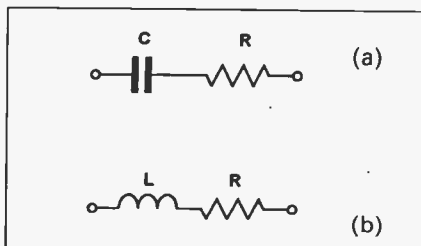


Fig. 2.32 Circuits containing reactance and resistance: (a) a C-R circuit; (b) an L-R circuit.

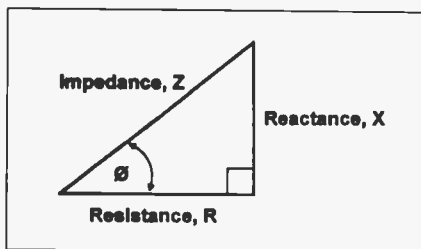


Fig. 2.33 The impedance triangle.

The impedance of the simple C-R and L-R circuits shown in Fig. 2.32 can be found by using the impedance triangle shown in Fig. 2.33.

In either case, the impedance of the circuit is given by:

$$Z = \sqrt{X^2 + R^2}$$

and the phase angle (between V_S and I_S) is given by:

$$\phi = \tan^{-1}(X/R)$$

where Z is the impedance (in Ω), X is the reactance, either capacitive or inductive (expressed in Ω), R is the resistance (in Ω), and ϕ is the phase angle in radians.

Example

A $2\mu\text{F}$ capacitor is connected in series with a 100Ω resistor across a 115V 400Hz a.c. supply. Determine the impedance of the circuit, the current taken from the supply and the voltage dropped across the capacitor.

First we must find the reactance of the capacitor, X_C :

$$X_C = \frac{1}{2\pi f C} = \frac{1}{6.28 \times 400 \times 2 \times 10^{-6}}$$

$$= \frac{10^6}{5024} = 199 \Omega$$

Now we can find the impedance of the C-R series circuit:

$$Z = \sqrt{X_C^2 + R^2} = \sqrt{199^2 + 100^2} = \sqrt{49601} = 223 \Omega$$

The current taken from the supply can now be found:

$$I_S = V_S / Z = 115 / 223 = 0.52 \text{ A}$$

Finally, we can determine the voltage dropped across the capacitor by applying Ohm's Law:

$$V_C = I_S \times X_C = 0.52 \times 199 = 103.480\text{V}$$

Practical assignment 2.5 C-R phase shift circuit

In this assignment you will investigate the behaviour of a simple C-R phase shifting circuit using a function generator and an oscilloscope.

Objectives:

- 2.5.1 To investigate the action of a C-R phase shifting circuit.
- 2.5.2 To use a function generator and oscilloscope to measure voltage and phase shift.

Instructions:

1. Connect the circuit shown in Fig. 2.34. The function generator provides a sine wave input voltage whilst the oscilloscope is used to simultaneously display the input and output waveforms. The function generator and oscilloscope should initially be set as shown in Fig. 2.34.
2. Display the input and output waveforms on the screen. Measure the amplitude of the output voltage and its phase angle relative to the input voltage.
3. Calculate the reactance of the 220nF capacitor at 1kHz , the voltage drop across the capacitor and the phase shift produced by the circuit (see previous example). Compare the calculated values with the measured values.

Conclusions:

To what extent have the objectives for this assignment been met? Do the measured values of output voltage and phase shift agree with those obtained by calculation? If not, why? Over what range of angles can the circuit provide phase shift? Suggest how the phase shift produced by this circuit could be made variable.

Fig. 2.34 Circuit and instrument settings for Assignment 2.5.

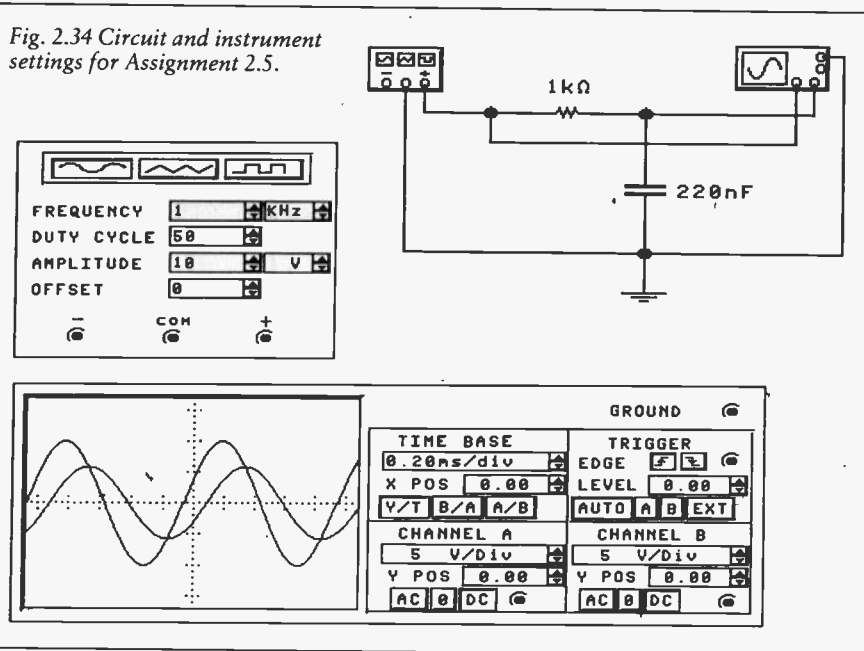
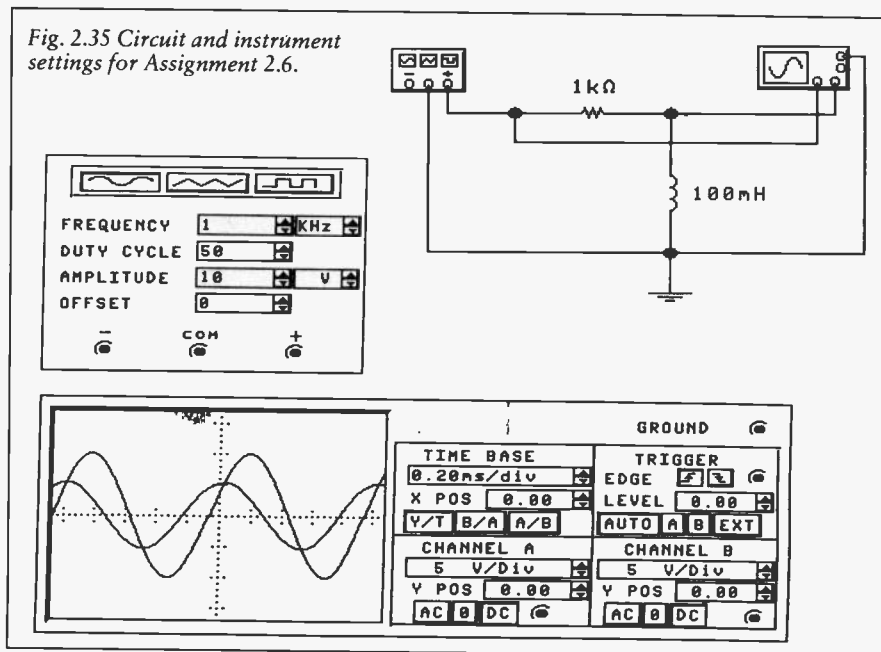


Fig. 2.35 Circuit and instrument settings for Assignment 2.6.



Practical assignment 2.6

L-R phase shift circuit

In this assignment you will investigate the behaviour of a simple L-R phase shifting circuit using a function generator and an oscilloscope.

Objectives:

- 2.6.1 To investigate the action of an L-R phase shifting circuit.
- 2.6.2 To use a function generator and oscilloscope to measure voltage and phase shift.

Instructions:

1. Connect the circuit shown in Fig. 2.35. The function generator provides a sine wave input voltage whilst the oscilloscope is used to simultaneously display the input and output waveforms. The function generator and oscilloscope should initially be set as shown in Fig. 2.35.
2. Display the input and output waveforms on the screen. Measure the amplitude of the output voltage and its phase angle relative to the input voltage.
3. Calculate the reactance of the 100mH inductor at 1kHz, the voltage drop across the inductor and the phase shift produced by the circuit (as for Assignment 2.5). Compare the calculated values with the measured values.

Conclusions:

To what extent have the objectives for this assignment been met? Do the measured values of output voltage and phase shift agree with those obtained by calculation? If not, why? Over what range of angles can the circuit provide phase shift? Suggest how the phase shift produced by this circuit could be made variable.

L-C circuits

Two forms of L-C circuits are illustrated in Fig. 2.36 and Fig. 2.37. Fig. 2.36 is a series resonant circuit whilst Fig. 2.37 constitutes a parallel resonant circuit. The impedance of both circuits varies in a complex manner with frequency.

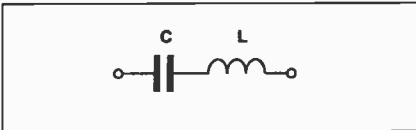


Fig. 2.36 Series resonant L-C circuit.

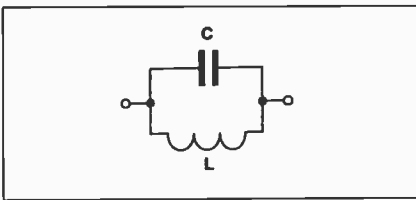


Fig. 2.37 Parallel resonant L-C circuit.

The impedance of the series circuit in Fig. 2.36 is given by:

$$Z = \sqrt{(X_L - X_C)^2}$$

where Z is the impedance of the circuit (in Ω), and X_L and X_C are the reactances of the inductor and capacitor respectively (both expressed in Ω).

The phase angle (between the supply voltage and current) will be $+\pi/2$ rad (i.e. $+90^\circ$) when $X_L > X_C$ (above resonance) or $-\pi/2$ rad (or -90°) when $X_C > X_L$ (below resonance).

At a particular frequency (known as the series resonant frequency) the reactance of

the capacitor (X_C) will be equal in magnitude (but of opposite sign) to that of the inductor (X_L). The impedance of the circuit will thus be zero at resonance. The supply current will have a maximum value at resonance (infinite in the case of a perfect parallel resonant circuit supplied from an ideal voltage source!).

The impedance of the parallel circuit in Fig. 2.37 is given by:

$$Z = \frac{X_L \times X_C}{(X_L - X_C)^2}$$

where Z is the impedance of the circuit (in Ω), and X_L and X_C are the reactances of the inductor and capacitor respectively (both expressed in Ω).

The phase angle (between the supply voltage and current) will be $+\pi/2$ rad (i.e. $+90^\circ$) when $X_L > X_C$ (above resonance) or $-\pi/2$ rad (or -90°) when $X_C > X_L$ (below resonance).

At a particular frequency (known as the parallel resonant frequency) the reactance of the capacitor (X_C) will be equal in magnitude (but of opposite sign) to that of the inductor (X_L). At resonance, the denominator in the formula for impedance becomes zero and thus the circuit has an infinite impedance at resonance. The supply current will have a minimum value at resonance (zero in the case of a perfect parallel resonant circuit).

L-C-R NETWORKS

Two forms of L-C-R network are illustrated in Fig. 2.38 and Fig. 2.39; Fig. 2.38 is series resonant whilst Fig. 2.39 is parallel resonant. As in the case of their simpler L-C counterparts, the impedance of each circuit varies in a complex manner with frequency.

The impedance of the series circuit of Fig. 2.38 is given by:

$$Z = \sqrt{R^2 + (X_L - X_C)^2}$$

where Z is the impedance of the series circuit (in Ω), R is the resistance (in Ω), X_L is

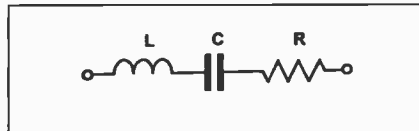


Fig. 2.38 Series resonant L-C-R circuit.

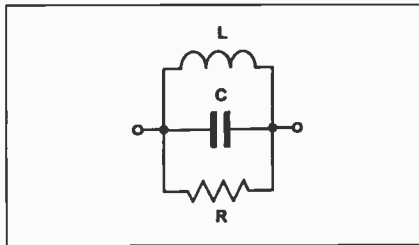


Fig. 2.39 Parallel resonant L-C-R circuit.

the inductive reactance (in Ω) and X_C is the capacitive reactance (also in Ω). At resonance the circuit has a minimum impedance (equal to R).

The phase angle (between the supply voltage and current) will be given by:

$$\phi = \tan^{-1} \frac{(X_L - X_C)}{R}$$

The impedance of the parallel circuit of Fig. 2.39 is given by:

$$Z = \frac{R \times X_L \times X_C}{\sqrt{(X_L^2 \times X_C^2) + R^2 (X_L - X_C)^2}}$$

where Z is the impedance of the parallel circuit (in Ω), R is the resistance (in Ω), X_L is the inductive reactance (in Ω) and X_C is the capacitive reactance (also in Ω). At resonance the circuit has a maximum impedance (equal to R).

The phase angle (between the supply voltage and current) will be given by:

$$\phi = \tan^{-1} \frac{R(X_C - X_L)}{X_L \times X_C}$$

RESONANCE

The frequency at which the impedance is minimum for a series resonant circuit or maximum in the case of a parallel resonant circuit is known as the resonant frequency. The resonant frequency is given by:

$$f_0 = \frac{1}{2\pi\sqrt{LC}} \text{ Hz}$$

where f_0 is the resonant frequency (in Hertz), L is the inductance (in Henries) and C is the capacitance (in Farads).

Typical impedance-frequency characteristics for series and parallel tuned circuits are shown in Fig. 2.40 and Fig. 2.41. The series L-C-R tuned circuit has a minimum impedance at resonance (equal to R) and thus maximum current will flow. The circuit is consequently known as an acceptor circuit. The parallel L-C-R tuned circuit has a maximum impedance at resonance (equal to R) and thus minimum current will flow. The circuit is consequently known as a rejector circuit.

QUALITY FACTOR

The quality of a resonant (or tuned) circuit is measured by its Q-factor (sometimes also known as 'voltage magnification factor'). The higher the Q-factor, the sharper the response (narrower bandwidth), conversely the lower the Q-factor, the flatter the response (wider bandwidth). In the case of the series tuned circuit, the Q-factor will increase as the resistance, R , decreases. In the case of the parallel tuned circuit, the Q-factor will increase as the resistance, R , increases.

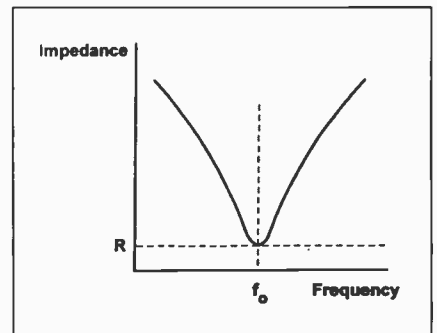


Fig. 2.40 Impedance frequency characteristic for a series resonant circuit.

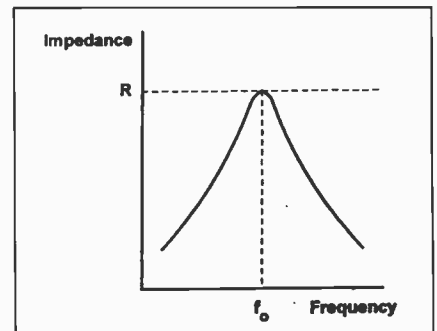


Fig. 2.41 Impedance frequency characteristic for a parallel resonant circuit.

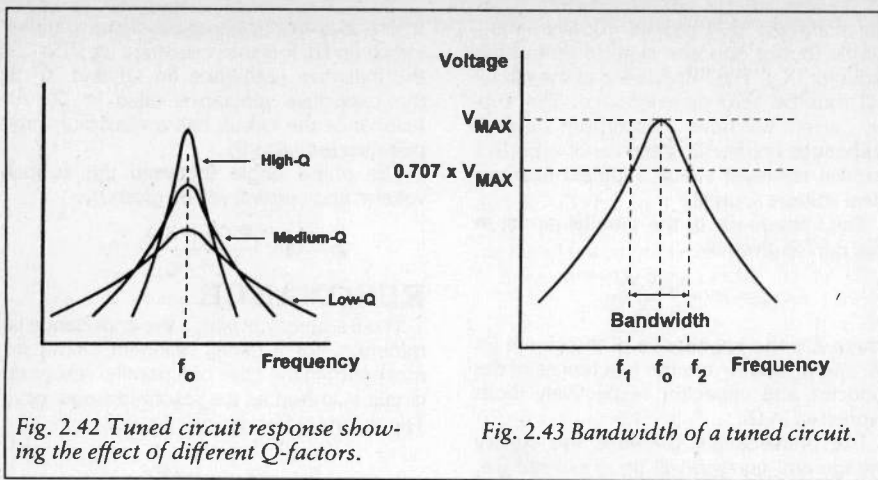


Fig. 2.42 Tuned circuit response showing the effect of different Q-factors.

The response of a tuned circuit can be modified by incorporating a resistance of appropriate value to either "dampen" or "sharpen" the response (see Fig. 2.42).

The relationship between bandwidth and Q-factor (see Fig. 2.43) is:

$$\text{Bandwidth} = f_2 - f_1 = \frac{f_0}{Q} \text{ Hz}$$

For a series L-C-R tuned circuit, the Q-factor is given by:

$$Q = \frac{V_C}{V_R} = \frac{V_L}{V_R} \text{ (note that, at resonance, } V_C = V_L)$$

Now since $V_L = I_S \times X_L$, $V_R = I_S \times R$,
and $X_L = 2\pi f_0 L$

$$Q = \frac{I_S \times 2\pi f_0 L}{I_S \times R} = \frac{2\pi f_0 L}{R}$$

Example

A parallel L-C circuit is to be resonant at a frequency of 400Hz. If a 100mH inductor is available, determine the value of capacitance required.

Re-arranging the formula $f_0 = \frac{1}{2\pi \sqrt{LC}}$

to make C the subject gives:

$$C = \frac{1}{f_0^2 (2\pi)^2 L}$$

Thus $C = \frac{1}{400^2 \times 39.4 \times 100 \times 10^{-3}}$

or $C = \frac{1}{160 \times 10^3 \times 39.4 \times 100 \times 10^{-3}} \text{ F}$

Hence $C = 1.58 \mu\text{F}$

Example

A series L-C-R circuit comprises an inductor of 20mH, a capacitor of 10nF, and a resistor of 100Ω. If the circuit is supplied with a sinusoidal signal of 1.5V at a frequency of 2kHz, determine the current supplied and the voltage developed across the resistor.

First we need to determine the values of inductive reactance (X_L) and capacitive reactance (X_C):

$$X_L = 2\pi fL = 6.28 \times 2 \times 10^3 \times 20 \times 10^{-3}$$

thus $X_L = 251.2 \Omega$

$$X_C = \frac{1}{2\pi fC} = \frac{1}{6.28 \times 2 \times 10^3 \times 100 \times 10^{-9}}$$

thus $X_C = 796.2 \Omega$

The impedance of the series circuit can now be calculated:

$$Z = \sqrt{R^2 + (X_L - X_C)^2} = \sqrt{100^2 + (251.2 - 796.2)^2}$$

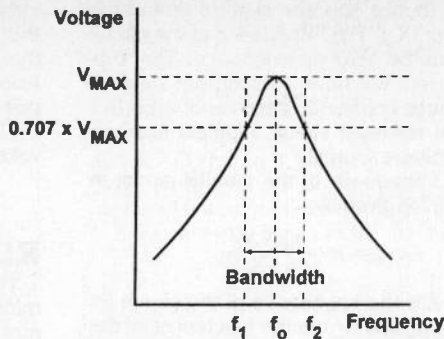


Fig. 2.43 Bandwidth of a tuned circuit.

thus $Z = \sqrt{10000 + 297025}$
 $= \sqrt{307025} = 554 \Omega$

The current flowing in the series circuit will be given by:

$$I = V/Z = 1.5/554 = 2.7 \text{ mA}$$

The voltage developed across the resistor can now be calculated using:

$$V = IR = 2.7 \text{ mA} \times 100 \Omega = 270 \text{ mV}$$

Practical assignment 2.7
L-C-R circuit

In this assignment you will investigate the

behaviour of an L-C-R tuned circuit using a function generator and an oscilloscope.

Objectives:

- 2.7.1 To investigate the action of an L-C-R tuned circuit.
- 2.7.2 To use a function generator and oscilloscope to measure the response, resonant frequency and Q-factor of a tuned circuit.

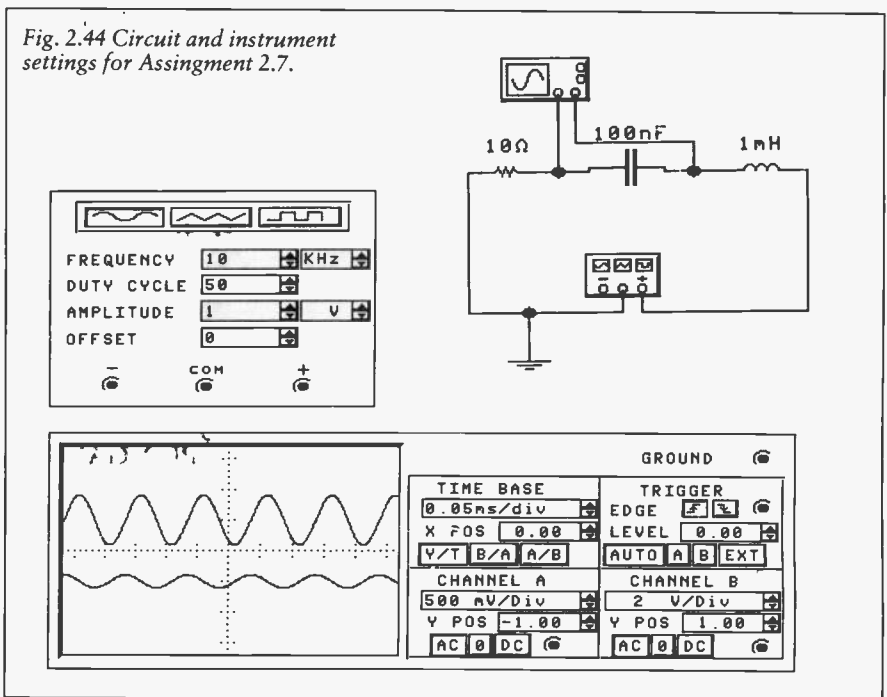
Instructions:

1. Connect the circuit shown in Fig. 2.44. The function generator provides a variable frequency sine wave input voltage whilst the oscilloscope is used to simultaneously display the voltages across the resistor and capacitor (note that the resistor voltage is used to give an indication of the current flowing in the circuit). The function generator and oscilloscope should initially be set as shown in Fig. 2.44.
2. Display the resistor and capacitor waveforms on the screen. Vary the frequency of the function generator's output over the range 10kHz to 24kHz using the values shown in Table 2.5. At each frequency, measure and record the peak-peak value of the resistor and capacitor voltages. Also determine the current flowing in the circuit and record this in Table 2.5.
3. Use the measured values from Table 2.5 to plot graphs showing how the capacitor voltage and supply current vary with frequency over the range 10kHz to 24kHz. Determine the resonant frequency from

Table 2.5 Measured values for Assignment 2.7.

Frequency (kHz)	10k	12k	14k	15k	16k	17k	18k	20k	24k
Capacitor voltage (V _C)									
Resistor voltage (V _R)									
Supply current (I _S = V _R /R)									

Fig. 2.44 Circuit and instrument settings for Assignment 2.7.



- the graph and compare this with the calculated value.
- Use the graph to determine the peak-peak value of capacitor voltage at resonance and the Q-factor of the circuit. Calculate the measured Q-factor for the circuit with the calculated value.

Conclusions:

To what extent have the objectives for this assignment been met? Do the measured values of resonant frequency and Q-factor agree with those obtained by calculation? If not, why? Suggest how the resonant frequency of the circuit could be made variable. Suggest how the Q-factor of the circuit could be increased.

Answers to last month's problems

- 333mA, 9W
- 200Ω
- 30
- 7.48V
- 14.96kΩ, 100kΩ
- 90.9mA

- 10mA, 3.33mA
- 14.1V, 9.9V
- 200mA, 220mA
- 7.5mA, 4.5V

BRAIN TEASER

This month's challenge for those of you who are using the full *Electronics Workbench* package is shown in Fig. 2.45. All you have to do is determine the frequency at which the phase shift between points A and B is precisely 90°.

Answer to last month's Brain Teaser

8.33Ω

This problem is best solved by assuming that a current of 1A flows into the network at one corner. This current will divide into three equal currents of 1/3A. Then each current will divide again into two equal currents of 1/6A. By this means, you can determine the current in each resistor and calculate the corresponding voltage drop.

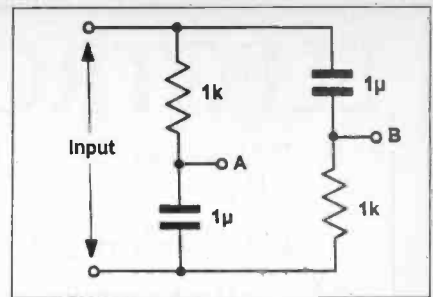


Fig. 2.45 Circuit for this month's Brain Teaser.

The next stage is to apply Kirchhoff's Voltage Law taking any one path through the network. This will provide you with three voltage drops which can be added together to find the total voltage drop across the network. Having done this you can simply apply Ohm's Law to determine the effective resistance of the network between any two opposite corners.

Electronics Workbench – Order/Enquiry Form

Please register me for the Upgrade disk of Assignments for the Entire Course
I am an Overseas reader, please advise me how to order *Electronics Workbench* and/or the Upgrade disk.

Please supply:

Full version of *Electronics Workbench* Model Set 1 (disk)
150 Circuits (book plus disk)
Trouble Shooting (book plus disk)
Practical Teaching Ideas (book plus disk)

Special Offer

(Full *EWB* plus all 4 add-on modules)

Please Tick

Price*

From:

Name

Address

Post Code

CREDIT/DEBIT CARD NUMBER

Expiry Date

Signature

(Please supply name and address of Cardholder if different from address shown)

Payments in £ Sterling only please. Cheque/PO/Visa/Access/Switch

Simply phone, fax or send this form (or photocopy) to:

Robinson Marshall (Europe) PLC

Nadella Building, Proress Close, Leofric Building Park, Coventry CV3 2TF

Tel: 0203 233216 (International 044-203 233216)

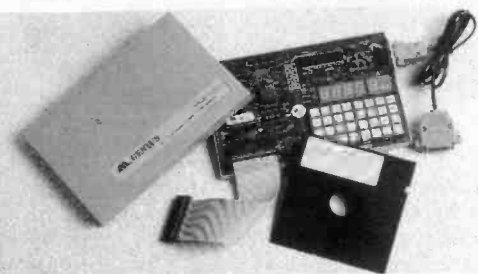
Fax: 0203 233210 (International 044-203 233210)

Total Payment £

*All prices include VAT at 17.5% and UK P&P.

KARE ELECTRONICS

8051 In-Circuit Emulator



Supported Devices:

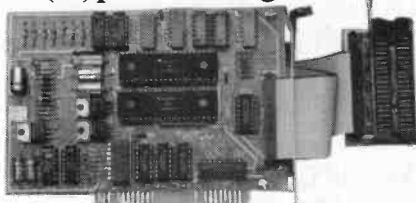
8051/52
80C51/52
8031/32
80C31/32
(EA* = 0)

colour catalogue available

- Adapters for 8751, 8051(EA = 1), 80C451, 80C552, 80C562, 80C652
- Built-in assembler
- Optional EPROM and 8751, 8752, 87C552, 87C752 programmers available from £39
- 10 day money back guarantee.

£264 INC

P.C. E(E)prom Programmer



£145 INC
BEST EVER VALUE

For PC
XT, AT,
386, 486.

- Internal card for greater security
- Reads, verifies & Program's devices to 4 Meg.
- Fast Program's 64A in 10 sec.
- Binary, Intel Hex, Motorola S. Format
- Colour software.
- Adaptors available for Micro's, 16 bit, Epson cards etc.

All prices include V.A.T. Please add £5 p&p and send cheque with order. Allow up to 10 days for delivery.

If you require any further information or demo disk please call.

32, Pear Tree Ave., Ditton, Aylesford, Kent ME20 6EB. Tel/Fax 0732 844633

LATEST PRODUCT

£60.00 INC

Z80 Controller Board (with Basic Interpreter).

- Fully programable in BASIC via RS232 on PC
- CMOS Z80 processor
- Up to 64 I/O Ports
- 8k of User Memory
- Eprom Blowing Facility.

80C552 Embedded Controller/ Development Board MA-012/32

£52.88
INC

- Microcontroller (Installed) 80C552 (MA-012) 80C451 (MA-032)
 - Credit card size PCB 5x7cm
 - 32K SRAM (62256)
 - Ram backup – just connect 3.6V ni-cad
 - Eprom socket to take 2764/27256
 - 96 interface connections
 - Stackable with other modules providing additional facilities.
- Please enquire for further details.

Development kit for above.

£11.75 INC

Monitor Eprom

(Not available separately)

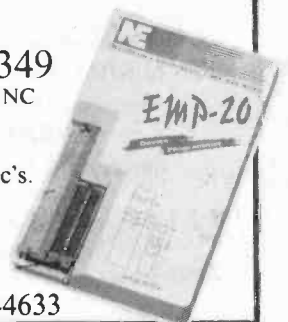
- Ideal for students and enthusiasts
- Download Hex files
- Edit both Data/Prog data and SFR's
- Full Monitor Facilities plus more.

Device Programmer

£349
INC

PLD, GAL, PALCE
As well as E(E)proms, Flash, Micro-controllers inc PIC's & Serial E(E)prom.

Fast programming 27C040 4 meg 90 sec's.
Small enough for briefcase.
Made in U.S.A.



ELECTRONICS PRINCIPLES II SOFTWARE

from E.P.T. Educational Software (Tel: 0376 514008)

If you are looking for a means of improving your knowledge of the basics of electronics then this software is for you.

Electronics Principles II covers:

- ★ Insulators, Conductors, Resistance
- ★ D.C. Circuits
- ★ Capacitance and Inductance
- ★ A.C. Series Circuits
- ★ A.C. Parallel Circuits
- ★ Reactance and Impedance
- ★ A.C. and D.C. Power
- ★ Frequency and Tuned Circuits
- ★ Using Numbers
- ★ Complex Numbers, Phase Angles
- ★ P.N. Junction Diode
- ★ Transistors
- ★ Operational Amplifiers
- ★ Logic Gates
- ★ Digital Number Systems
- ★ Combinational Logic
- ★ Flip Flops
- ★ Counters and Shift Registers
- ★ Memory
- ★ Microcomputer operation

Electronics Principles II is a major revision of the successful original version currently used by electronics hobbyists, schools, colleges, and for training within industry throughout the U.K. and overseas. Some of the modifications are as a result of feedback from teachers, but mostly the changes are due to making greater use of the available improvements in software development technology. Text has been removed from the screen and is now selected by the F1 key. This provides a larger screen area on which to develop the circuit diagrams and calculations, greatly improving the graphics presentation.

The individual sub-menus are changed to selection buttons, this makes all those topics available within a module, clearly visible to the user. The layout of the calculations is considerably enhanced, firstly by providing the formulae used and secondly by showing the calculation steps, exactly as in a textbook; the advantage here being that you can input your own values.

Mouse selection is improved by increasing the screen range over which the button may be clicked. There are several additional screens, developing further previous topics and a new program illustrating microprocessor registers and the operation of a micro-computer.

Having reviewed a dozen, or more, educational software packages designed to "teach" electronics, I was more than a little sceptical when I first heard about Electronics Principles: there seemed to be little that could be done that has not been done elsewhere. When I started to use the package my views changed. Indeed, I was so impressed with it that I quickly came to the conclusion that Everyday with Practical Electronics readers should have an opportunity to try the package out for themselves! - MIKE TOOLEY B.A. Dean of Faculty of Technology, Brooklands Technical College

Over 200 menu driven screens with interactive graphics enabling a learning by doing approach to encourage experimentation.

Complete package **Only £49.95** inc. VAT.

ELECTRONICS P.C. TOOLBOX VERSION 2.0

New extended and improved version of the popular Toolbox software. Presents commonly used formulae in a way that makes calculations easier thus encouraging experimentation in circuit design.

Covers D.C. Calculations from Ohm's Law to Loading a Potential Divider; Further D.C. Calculations from Power Ratio Decibels to Kirchhoff's Laws; A.C. Calculations from Average Peak Current to Filters and Admittance; Capacitance Calculations from values to RC Time Constants; Inductance Calculations from value to Selectivity; Binary Calculations from Addition to 2's Complement; Numbers and Phase Angles from addition to Polar to Rectangular; Operational Amplifiers from Inverting Op-Amp to Op-Amp Differentiator.

Only £19.95 inc. VAT

FREE While stocks last each Toolbox Version 2.0 ordered will be supplied with two different EPE "Calculation Corner" wall charts covering D.C. and A.C. Electricity.

These programs require a PC (or fully compatible system) running DOS with an 80286 or better processor and VGA (ideally colour) graphics. In addition you must have a hard disk, a high density (1.44Mb) floppy drive and at least 640K of RAM. We also recommend the use of a mouse. Site licences are available - please enquire.

Distributed by Direct Book Service, 33 Gravel Hill, Merley, Wimborne, Dorset BH21 1RW. (Mail Order Only).

Add £1 per order for UK post and packing. Make cheques payable to Direct Book Service.

Direct Book Service is a division of Wimborne Publishing Ltd. publishers of *Everyday with Practical Electronics*.

Tel: 0202 881749. Fax: 0202 841692.

Visa and Mastercard orders accepted (minimum credit card order £5) - please give card number, card expiry date and cardholders address if different to the delivery address. Orders are normally sent within seven days but please allow a maximum of 28 days - longer for overseas orders.

OVERSEAS ORDERS: Add £2 postage for countries in the E.E.C. Overseas readers, outside the E.E.C. countries add £3 for airmail postage.

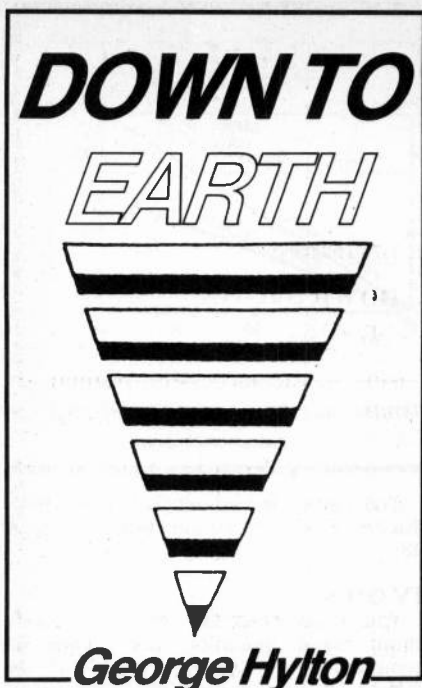
Demonstration disk available
Electronic Principles II, GCSE Maths
or Mathematics Principles (state which)
send £2 (Overseas orders send £3)
- includes P&P

GCSE MATHS

A series of programs covering *all the major topics* required by the school syllabus. Designed to be user friendly enabling you to study or revise in what we believe is an interesting and enjoyable way. There are nearly one hundred and fifty menu driven screens with interactive graphics, enabling a 'learning through doing' approach to encourage experimentation. Now being used in many schools throughout the U.K.

Overseas customers or for those with a general interest in maths order **Mathematics Principles**

Only £49.95 inc. VAT for either package



DIODE RATINGS

Signal diodes such as the ubiquitous 1N4148 can handle fairly substantial voltages and currents. It's sometimes tempting to use them in mains power units where the current output needed is modest. Published designs do occasionally specify them.

Let's see how to find out whether a signal diode can safely be used in such an application.

PEAK VOLTAGE

In a conventional push-pull rectifier circuit (Fig. 1) capacitor C1 is charged by current from diodes D1 and D2 alternately to something approaching the peak value of the a.c. voltage across each half of the centre-tapped secondary winding of the transformer T1. If the rated voltage is 10V-0V-10V r.m.s. then the peak is a bit more than 14V.

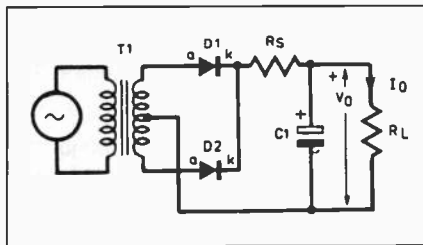


Fig. 1. Transformer-rectifier power unit. R_s represents the resistance of the transformer windings, R_L the d.c. load.

A diode can withstand only a certain amount of reverse voltage. How much does it get in this circuit?

Assume the circuit to have been working long enough for C1 to be fully charged. Then there is (with 10V r.m.s. input) some +14V at the cathodes (k).

This is a reverse voltage – but not the only one. Whichever diode happens to be non-conducting has, at its anode (a), the negative half cycle of the 10V r.m.s. input. This, at its peak, is also about 14V.

So the diode has -14V on its anode and +14V on its cathode. This makes a total of 28V trying to force a reverse current.

For safe working the peak inverse voltage (p.i.v.) rating must be comfortably

in excess of 28V. Diode data varies, but mine gives 75 p.i.v. for the 1N148. This implies possible inputs up to (75/2)V peak, which is 26.5V r.m.s.

But don't push your luck! That 75V is an absolute maximum rating which leaves no room for accidents such as mains surges. If you prudently downrate it by a third you can still use the diode for d.c. outputs up to about 18V, which covers most needs.

CURRENT RATINGS

My data gives two current ratings: 75mA average d.c. and 200mA peak a.c. In a push-pull circuit each rectifier supplies half the current so two at 75mA average should be able to supply 150mA. The peak current rating, however, makes this difficult.

In Fig. 1 the only limit on current flowing via a diode into capacitor C1 is resistor R_s . This is a fictitious resistance which I've put in to represent the resistance of the transformer windings.

This consists of the d.c. resistance of a half-secondary plus the transformed resistance of the primary, seen from a half-secondary. The transformed resistance is the d.c. primary resistance divided by the turns ratio squared.

Complicated? Not really. Let's take a particular case. I have a miniature mains transformer rated at 240V input, 18V centre-tapped output (otherwise known as 9V-0V-9V). Makers often "up" the secondary voltage a bit to allow for loading losses. My transformer, off load, measures 10V-0V-10V.

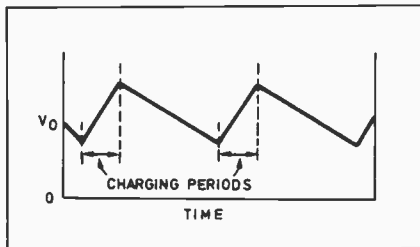


Fig. 2. Output voltage with ripple. During the sharp rises the rectifiers must deliver large pulses of current.

This gives a turns ratio of primary to half-secondary of 24. The primary resistance is 2200 ohms. Dividing this by 24×24 gives 3.8 ohms.

The resistance of one half-primary is 19.5 ohms and the other, 19.8 ohms. (This may seem odd, since each must have the same number of turns, but one is wound on top of the other, so the length of a turn is greater. More wire, more resistance.) Either way the resistance totals about 24 ohms, and this is effectively in series with each diode.

If capacitor C1 is discharged and the circuit switched on at a peak of the mains voltage (giving a peak of 14V at the half-secondary), the current is momentarily $14V/24 \text{ ohms} = 583\text{mA}$. In practice, a bit less, because the diode drops about a volt. Clearly, this peak current is in excess of the peak rating.

Proper rectifier diodes have a special rating for switch-on current – usually with a time limit of half a mains period, or some similar brief interval. The only figure found for a 1N4148 was a rather vague "non-repetitive peak forward current" of 500mA, with no quoted time limit. This shows that 583mA is outside the rating and that caution is advisable.

STEADY STATE

When the circuit is working away steadily the output V_0 is not constant but carries a sawtooth ripple (Fig. 2). During the brief "ups", C1 charges. During the much longer "downs" it discharges through the load R_L .

To maintain the average voltage the quantity of charge must equal the quantity of discharge. It follows that the average charging current must equal the load current.

Common sense suggests that if charging has to be done (during an "up") in a fifth of the time of discharging (in a "down") then the charging current must be five times the average discharge current, in other words five times the load current.

For a load current of 100mA the peak would then be 500mA. This applies to one combination of load and C1. If the load current is increased, or C1 increased to reduce ripple then the peak current must increase. Clearly, the current rating could be exceeded during steady operation as well as at switch-on.

LIMITING CURRENT

This limits the usefulness of signal diodes as rectifiers to cases where the load current is modest, say a few tens of milliamps. You could, of course, add resistance to reduce peak current but then output voltage would fall and ripple rise.

In the old days when iron-cored inductors were used liberally, a better solution was available (Fig. 3). The inductance of the input choke L1 limited the peak current but the resistance was low and didn't cause much d.c. loss. The on-load output voltage was low, because C1 never had time to charge fully.

Suitable chokes are heavy and expensive. Better to spend more on the rectifiers. All the same, Fig. 3 does hint at a way of dealing with the problem.

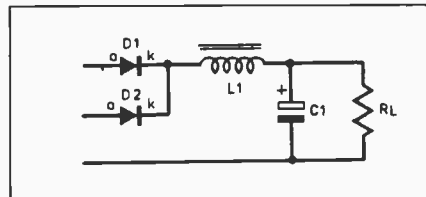


Fig. 3. Choke-input smoothing filter. L1 limits the peak current.

The inductance, in opposing any sudden increase in current, extends the charging periods. It also spreads out the charging current in time. You can, as mentioned earlier, do this with added resistance, but at a price.

When R_s was increased to 75 ohms the output fell from 14V off load to 7V at 50mA load. This would be all right if your load needed only 7V and drew an unvarying current, but many real-life loads draw a varying current but need a steady voltage.

TRANSISTOR LIMITER

If there is voltage to spare and you have plenty of components in stock the circuit in Fig. 4 may help. This uses a transistor, TR1, to limit the peak current and a Zener diode, D3, to stabilize the voltage.

The circuit is fed by the unsmoothed output of the push-pull diodes D1 and D2. This is a train of half-sine-waves, positive-going. These drive base current

of transistor TR1, via resistor R1, and the resulting pulses of emitter current charge capacitor C1.

However, once the base voltage is enough to turn on Zener D3 it is clamped at the Zener voltage. Output voltage cannot exceed the Zener voltage minus the base-emitter voltage of TR1. The base current is limited by resistor R1, which can be chosen to limit the emitter current pulses to a safe value.

In tests, the peak currents in D1 and D2 were about twice the d.c. output current. So TR1 must be able to handle the average load current while taking peaks of twice the load current. The shaded parts of the waveform in Fig. 4 show how the Zener limits the base voltage.

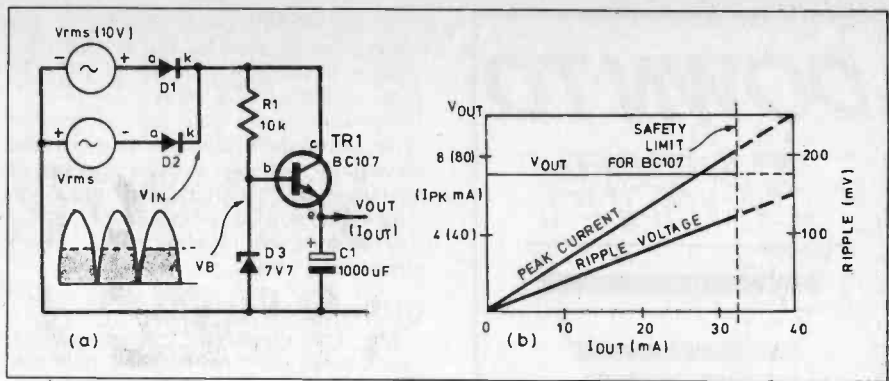


Fig. 4. (a) Circuit diagram for a transistor limiter-stabiliser and (b) performance curves.

SHOP TALK

with David Barrington

Video Modules

The case shown housing the *Video Modules* in the photographs, and on the front cover, has not been specified in the components list because readers may choose to select their own according to the number of modules constructed. Another factor is the cost. The case is a "19 inch rack instrument enclosure" and usually sells for £30 plus.

The one shown, and used by the author, is known as a "1U" type and measures 432mm (W) x 45mm (H) x 254mm (D), the front plate is, of course, 19 inch (482mm) wide. This was originally purchased many months ago from **Rackz Products** (☎ 0749 840102). Most of our advertisers will be able to offer something similar.

All the components listed for the *Simple Fader*, *Improved Fader* and *Video Enhancer* appear to be standard "off-the-shelf" items and should be easily obtainable from your regular component supplier/advertiser. The printed circuit boards are available from the *EPE PCB Service*, codes 910 (Simple Fader), 911 (Improved Fader) and 912 (Video Enhancer).

Power Controller

Although relatively straightforward in construction, the *Power Controller* was not designed with the absolute beginner in mind and is aimed more at those constructors who possess some experience of *mains-operated* projects. See the Specification panel regarding its suitability for use with particular electrical appliances.

The design utilises a couple of "specials" which are available from the larger mail order suppliers. In particular the SL443A zero voltage switch i.c. is supplied by **Electromail** (☎ 0536 204555), Stock No. 307-985, also **Farnell** (☎ 0532 636311) list the SL443ADP. The author advises that the similar-sounding SL441CD from **Maplin** (DB53H) would appear to be identical, judging by the published specification.

Most important is the triac specification. This **MUST** be an "isolated tab" type such as the BTA16-600 16A 600V which is available from all the sources mentioned earlier. To avoid a shock hazard, under no circumstances substitute an alternative without determining whether a TO220 insulating kit is necessary or not.

The **Maplin's '94 Catalogue** misleadingly implies that the BTA16-600B triac does *not* have an isolated tab (Page 481, 1994 catalogue). This is not the case: it *does* have a fully insulated tab for better in-

sulation, so no mounting/insulating kit is needed with this type. For further confirmation, see the Electromail specification (Stock No. 658-738) in their catalogue.

Also worth mentioning is the unusual 16A screw terminal block with built-in fuseholder used by the author, an excellent idea which saves some mains interwiring, from **Electromail** (452-619, supplied in 10's) or **Farnell** (151-999, available singly). It is possible that the 6W rating, vitreous enamelled cased wire wound power resistor may be difficult to find locally. However, most of our mail order component advertisers may stock them or may offer a *higher* rating (7W) ceramic encased type. Check you can fit them on the p.c.b.

The small printed circuit board is available from the *EPE PCB Service*, code 905.

1000V/500V Insulation Tester

A couple of components needed to construct the *1000V/500V Insulation Tester* are special items and only available from one source. Also the "high voltage" capacitors must be used where indicated.

The special ferrite-core resonant transformer is only available from **Magenta Electronics** (☎ 0283 565435). They also stock the meter and high voltage capacitors.

A complete kit of parts to build the Tester, including transformer, cut-out case, meter (with replacement scale) and screen-printed p.c.b., is obtainable from **Magenta Electronics**, Dept EPE, 135 Hunter Street, Burton-on-Trent, Staffs, DE14 2ST, for the sum of £32.95 plus £3 post and packing. Quote kit code 848 when ordering.

Looking for a Christmas Gift

Why not an EPE Binder.

This ring binder uses a special system to allow the issues to be easily removed and reinserted without any damage. A nylon strip slips over each issue and this passes over the four rings, thus holding the magazine in place.

The binders are finished in hard wearing royal blue p.v.c. with the magazine logo in gold on the spine. They will keep your issues neat and tidy but allow you to remove them for use easily.

The price is £5.95 plus £3.50 post and packing. If you order more than one binder add £1 postage for each binder after the initial £3.50 postage charge, (for overseas readers the postage is £6.00 each to everywhere except Australia and Papua New Guinea which costs £10.50 each).

Send your payment in £'s sterling cheque or PO (Overseas readers send £'s sterling bank draft, or cheque drawn on a UK bank or pay by credit card), to **Everyday with Practical Electronics**, Allen House, East Borough, Wimborne, Dorset BH21 1PF. Tel: 01202 881749. Fax: 01202 841692 (We cannot reply to overseas queries by fax due to the high costs).

We also accept credit card payments. Mastercard (Access) or Visa (minimum credit card order £5). Send your card number and card expiry date plus cardholders address (if different to the delivery address).

The printed circuit board is available from the *EPE PCB Service*, code 906 - see page 887.

TV Off-er

You must heed the warnings given about mains operation and ratings of components highlighted in the *TV Off-er* project. If you do not the unit could become hazardous and breakdown with dire consequences.

We have been unable to locate readily available rotary switches capable of switching more than 150mA, whereas many TVs require more than 250mA, some even 500mA. This is the reason for adding the additional mains on/off switch not included on the prototype model.

The 12V relay used is rated at 15A. The coil resistance will be about 200 ohms. Most advertisers stock a p.c.b. mounting relay rated at 16A which should handle this application quite comfortably. Check that the relay will fit on the p.c.b. correctly.

The two printed circuit boards are available as a pair from the *EPE PCB Service*, codes 908/909.

Active Guitar Tone Control

We cannot foresee any component buying problems when ordering parts for the *Active Guitar Tone Control* circuit. No details are given for a suitable case as most constructors will, no doubt, mount the circuit board in or on the electric guitar body itself.

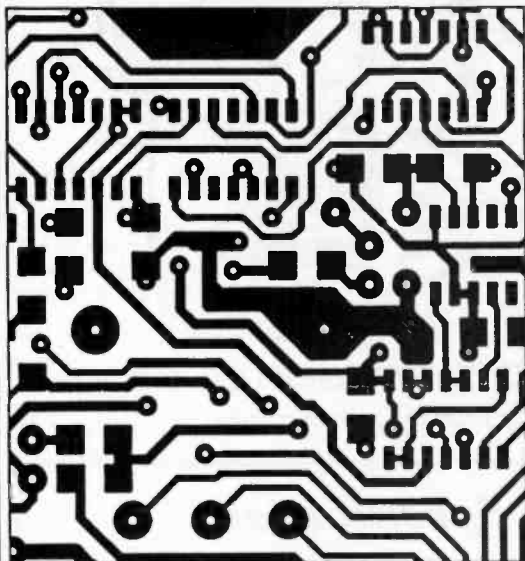
The small printed circuit board is available from the *EPE PCB Service*, code 907.

Ingenuity Unlimited

The *Voltage Drop Car Alarm*, one of this month's *Ingenuity Unlimited* circuits, calls for two different piezoelectric sounders. The low power "entry" sounder is the p.c.b. mounting disc type similar to one supplied by **Maplin**, code JH24B. The loud "alarm" siren is the miniature piezo siren also from the same source, code JK43W.

EASY-PC, Schematic and PCB CAD

Over 18,000 Installations
in 80 Countries World-wide!

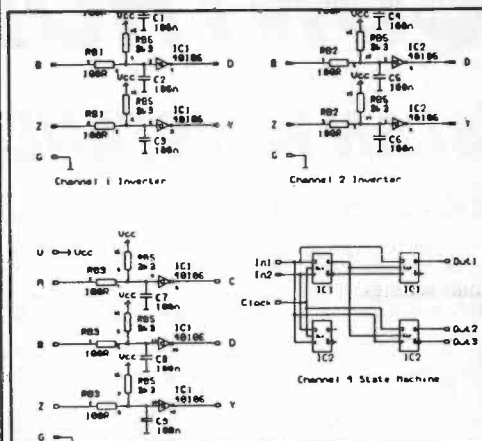


- Runs on:- PC/XT/AT/286/386/486 with Hercules, CGA, EGA or VGA display and many DOS emulations.
- Design:- Single sided, Double sided and Multi-layer (8) boards.
- Provides full Surface Mount support.
- Standard output includes Dot Matrix / Laser / Ink-jet Printer, Pen Plotter, Photo-plotter and N.C. Drill.
- Tech Support - free.
- Superbly easy to use.

**Still
Only
£98.00!**

Plus P&P+VAT

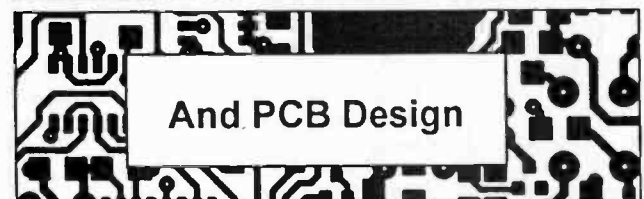
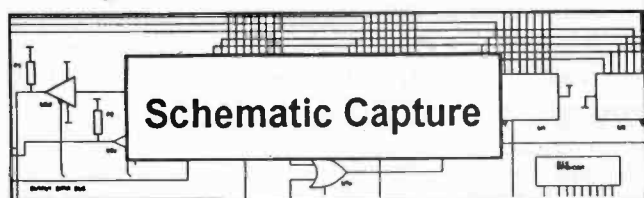
**BRITISH
DESIGN
AWARD
1989**



Options:-500 piece Surface Mount Symbol Library £48,
1000 piece Symbol Library £38, Gerber Import facility £98.

Electronic Designs Right First Time?

Integrated Electronics CAD



Prices from UK£195 / US\$375

Affordable Electronics CAD

EASY-PC: Entry level PCB and Schematic CAD.	\$195.00	£98.00
EASY-PC Professional: Schematic Capture and PCB CAD. Links directly to ANALYSER III and PULSAR.	\$375.00	£195.00
EASY-PC Pro' XM: Extended Memory Version - Greatly increased capacity	\$475.00	£245.00
PULSAR: Digital Circuit Simulator ~ 1500 gate capacity.	\$195.00	£98.00
PULSAR Professional: Digital Circuit Simulator ~ 50,000 gate capacity.	\$375.00	£195.00
ANALYSER III: Linear Analogue Circuit Simulator ~ 130 node capability	\$195.00	£98.00
ANALYSER III Professional: Linear Analogue Circuit Simulator ~ 750 node capability.	\$375.00	£195.00
Z-MATCH for Windows: NEW Windows based Smith-Chart program for RF Engineers.	\$475.00	£245.00
FILTECH: Active and Passive Filter Design program	\$275.00	£145.00
We operate a no penalty upgrade policy. You can upgrade at any time to the professional version of a program just for the difference in price.		
	US\$ prices include Post and Packing.	UK£ prices exclude P&P and VAT

For full information, please write, phone or fax:-

Number One Systems

UK/EEC: Ref. EVD, HARDING WAY, ST.IVES, CAMBS., ENGLAND, PE17 4WR.

Telephone UK: 0480 461778 (7 lines) Fax: 0480 494042 International +44 480 461778

USA: Ref. EVD, 1795 Granger Avenue, Los Altos, CA 94024

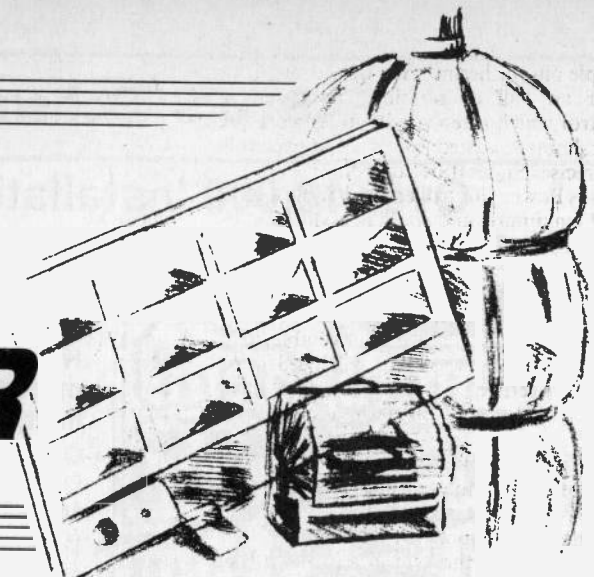
Telephone/Fax: (415) 968 9306

- TECHNICAL SUPPORT FREE FOR LIFE
- PROGRAMS NOT COPY PROTECTED.
- SPECIAL PRICES FOR EDUCATION.

MASTERCARD, VISA Welcome.

POWER CONTROLLER

ALAN WINSTANLEY



Build a 13A cost-cutting controller for immersion heaters, electric fire elements and large heaters. Zero crossing ensures freedom from r.f. interference.

HAVE you got an electric fire blazing away, racking up a large fuel bill? The Chancellor of the Exchequer will be delighted! For the benefit of our many overseas readers, Her Majesty's Government has now taken a shine to our fuel bills, so much so that it has added Value Added Tax to them, much to the chagrin of your scribe. Hence any device which helps to cut those electricity bills will be welcomed, by everyone apart from the Chancellor that is!

Power control techniques can be used in certain circumstances to adjust the power consumption of particular electrical appliances. An ordinary lamp "dimmer switch" uses the *phase control* system to interrupt the mains sine wave, thereby dimming and reducing the power consumption of the lamp.

In a similar way, a basic two-speed electric drill might use a rectifier to chop one half of the sinewave, to reduce the speed of the drill. Even vacuum cleaners occasionally have an in-built power controller, to offer some marginal "boost" when the going gets tough, or to cut the speed when needed.

A typical phase control device will be

described in a future constructional article. Amongst other things, such designs are suitable for electric fires with or without coal effects (not fan heaters) and their main advantage is that they are straightforward in operation and construction; however such circuits are notorious for generating r.f.i. (Radio Frequency Interference) on an unacceptable scale unless suitable suppression is incorporated, which can add considerably to the construction cost.

BURST FIRING

There is, however, another method of controlling power with a technique which is inherently interference-free. The system of **burst firing** is often used to control larger heating elements such as those found in

Specification ...

Type:	Burst Firing
Features:	Zero crossing: Interference free
Ideal for:	Resistive heating elements 0.5-3kW (e.g. Electric Bar Fires; Immersion Heater Elements; Oil-filled Electric Radiators; Convector Heaters, Electric Irons)
Not suitable for:	Coal-effect Electric Fires, Fan Heaters, Motors, Lighting, Low Loads (e.g. Soldering Irons).

kilns, ovens or certain types of machinery. Instead of modifying or chopping the mains sine wave, the burst firing technique sends a train of sine waves to the load, at regular intervals. Fig. 1(a) shows how short bursts of sine waves are transmitted to a load which operates at a low power level. By increasing the length of the bursts, the power delivered to the load is increased.

In the case of a simple resistive heating element, it is feasible to deliver such bursts once every few seconds, or even just a few times every minute, since the thermal inertia of the load averages out the bursts. The user will then observe a simple rise or fall in heater power dissipation depending on the frequency of the bursts.

The device to be described here is a burst firing power controller which includes a **zero crossing** system. This synchronises the a.c. sine wave output, to ensure that only *complete* sine waves are allowed to reach the control element (a triac).

By avoiding chopping the sine wave as in the phase control system, no r.f.i. is generated and absolutely no suppression is needed. The system is completely interference free, making it ideal for use in the domestic environment. It is however *not suitable* for certain types of load, see the separate Specification panel.

APPLICATIONS

Many appliances based on resistive heating elements (e.g. an oil-filled radiator, convector, or immersion heater) incorporate a bi-metallic strip which provides

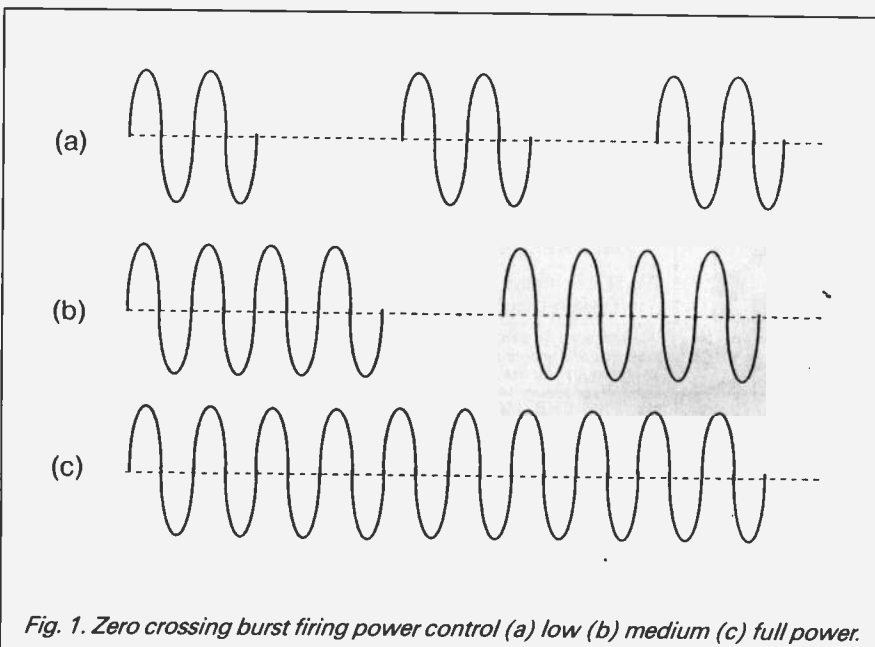


Fig. 1. Zero crossing burst firing power control (a) low (b) medium (c) full power.

simple on-off thermostatic operation. They offer an "all or nothing" approach to control which often results in temperature overshoots – wasted power – and generally imprecise temperature control.

This Power Controller will handle a 3kW load maximum, and could actually complement a thermostat if fitted to a domestic appliance. By burst-firing the appliance in the first place, the average power delivered to the heater is controlled more precisely which provides a more controllable temperature, as the appliance will be delivering an "average" power rather than all or nothing when controlled by a bi-metallic strip.

Apart from offering a finer degree of control, rather than using a heater continuously at full setting, this design will also help save money by enabling the user to "turn down" the heat to a lower setting – especially if the heater doesn't even have a bi-metallic thermostat.

HOW IT WORKS

The circuit diagram of the Power Controller is shown in Fig. 2. Operation is centred around IC1, an SL443 zero-crossing burst firing chip. It provides all the necessary timing signals to a control device – a suitably-rated triac in this case – to provide totally interference-free control of a suitable resistive load.

The i.c. has a built-in power supply section. 240V a.c. mains is supplied by two dropper resistors R2 and R3, to pin 2. Two power resistors are used because a total of nearly 350V peak is dropped across them under worst case conditions, therefore each is conservatively rated to withstand 200V at 6W.

The resultant low a.c. voltage is rectified and regulated within the i.c. to produce about 14V d.c. which is smoothed by the external capacitor C3, and is in turn passed to an internal 7V stabiliser. This is fed via

short circuits. As will be described later, the triac needs to be fitted to a heatsink to aid heat dissipation when operating under peak conditions.

It is the d.c. voltage on the wiper of potentiometer VR1 which ultimately determines the time period of the "bursts". The SL443 internal logic generates a sawtooth-like ramp voltage and compares this against the d.c. voltage set up by VR1. By adjusting the voltage at pin 8, the overall length of the bursts sent to the triac is varied accordingly, see Fig. 3. The SL443 compares the d.c. signal voltage at pin 8 against the ramp

COMPONENTS

Resistors

R1	47k 0.25W 5% carbon film
R2	5k6 6W 200V wirewound (W22 type)
R3	6k8 6W 200V wirewound (W22 type)

Potentiometer

VR1	47k 0.4W rotary carbon, linear
-----	--------------------------------

Capacitors

C1	22nF polyester 5mm
C2	1n2 polyester or polystyrene
C3	470µF radial axial elect. 25V

Semiconductors

IC1	SL443A zero crossing burst firing i.c.
CSR1	BTA16-600B 600V triac <i>isolated tab</i> ABSOLUTELY VITAL!!!

Miscellaneous

SK1	Panel mounting 13A socket
LP1	240V neon mains panel indicator (see text)
FS1	chassis mounting fuseholder with 13A fuse – see text
TB1	3-way p.c.b. terminal block Printed circuit board available from <i>EPE PCB Service</i> , code 905; plastic case with sloped aluminium panel, 215mm x 130mm x 78/47mm; 3-way 13A mains screw terminal block; 8-pin d.i.l. socket; control knob; P-clip; grommet; M3 x 6mm fastener; fully insulated p.c.b. mounting hardware; tie wrap with adhesive base; 13A cable; wire; solder etc.

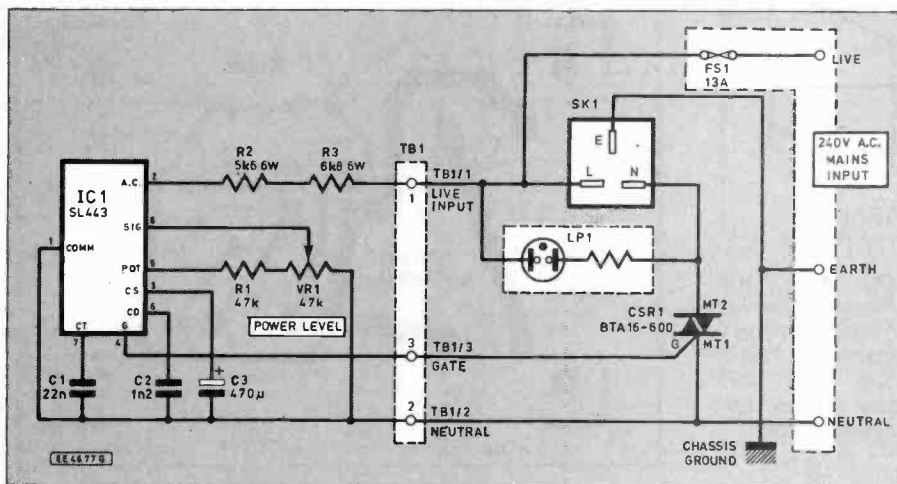


Fig. 2. Full circuit diagram for the Power Controller.

It does have one drawback in that because of its mode of operation – sending pulses to the load at regular intervals – it is not really suited to electric fires which have flickering coal effect lamps; it would cause the lamps to flash on and off repetitively, although the unit controls the heater elements perfectly. Nor must the unit be used with anything incorporating a synchronous motor such as a fan heater.

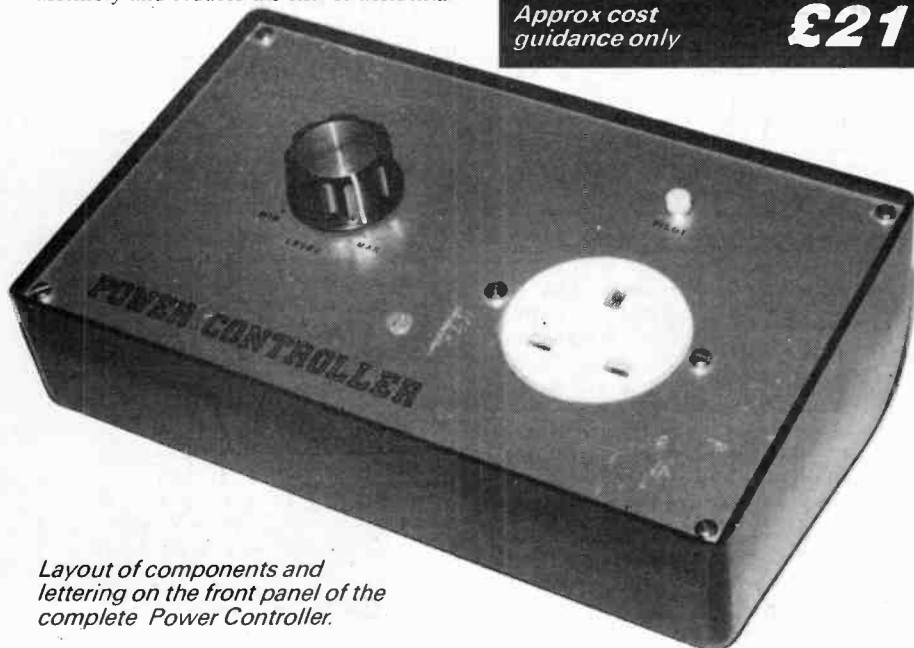
Additionally, trials showed that the unit does require a minimum load for correct operation, of roughly 500W or more. This design is not suitable for controlling a low-power soldering iron or similar small loads for example. It is designed for larger resistive loads such as ordinary electric bar fires or immersion heater elements rated up to 3kW, especially where r.f.i. could otherwise be a problem. The unit has a simple visual indication showing the burst firing system in actual operation, to help gauge the level of power being delivered.

BE AWARE

The circuit operates directly from the mains and has a built-in transformerless power supply, and is quite straightforward to assemble, but some skill with a soldering iron is required to make neat solder joints, some of which are at mains voltage, and care is needed when assembling to allow for certain parts which become hot in operation. Therefore, it is not really recommended for the absolute beginner due to the hazards associated with the mixture of mains and low voltages.

pin 5 and resistor R1 to the power control potentiometer VR1 which taps the voltage at its wiper, connecting the output signal to pin 8.

The i.c. drives the gate terminal triac CSR1 directly from pin 4 which delivers a series of suitably-timed trigger pulses. A conservatively-rated 16A device was used for CSR1 which also has an isolated tab. This improves the insulation of the final assembly and reduces the risk of accidental



Layout of components and lettering on the front panel of the complete Power Controller.

Approx cost guidance only

£21

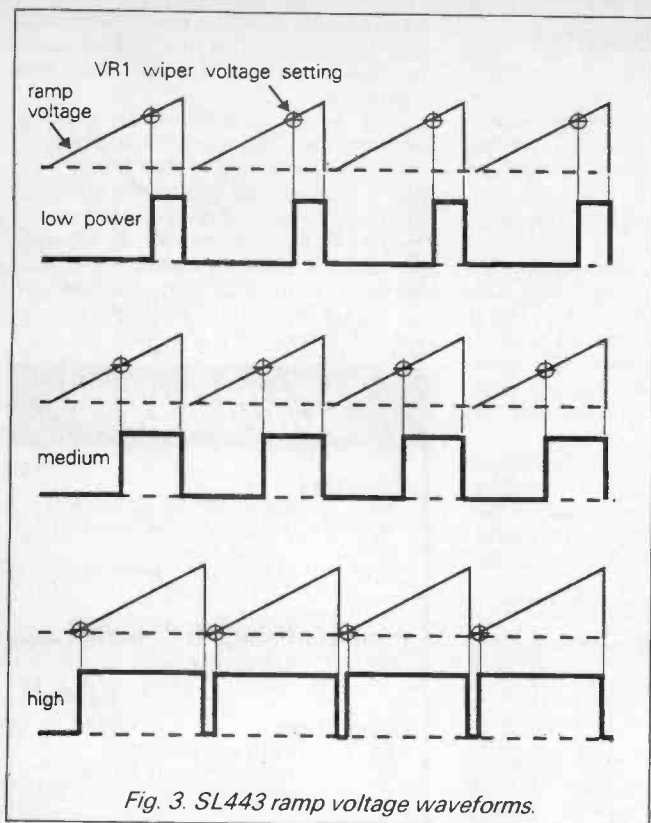


Fig. 3. SL443 ramp voltage waveforms.

voltage, and the power output of the unit is set by that fraction of the sawtooth during which the triac is conducting – as denoted by the square wave, which represents bursts of complete sine waves driving the load.

It was felt it would be safer to include a certain degree of “offset” by adding resistor R1. This means that there is always a minimum voltage at VR1 wiper so that the Power Controller is never turned fully off.

In the case of electric fire elements, they can still dissipate heat even though they may not be glowing brightly. Under these circumstances the user could mistakenly think that the fire was turned off altogether, although in reality it may be partially on. In order to prevent a fire hazard, the offset resistor ensures that the load is always switched on to some extent, which should then be apparent to the user.

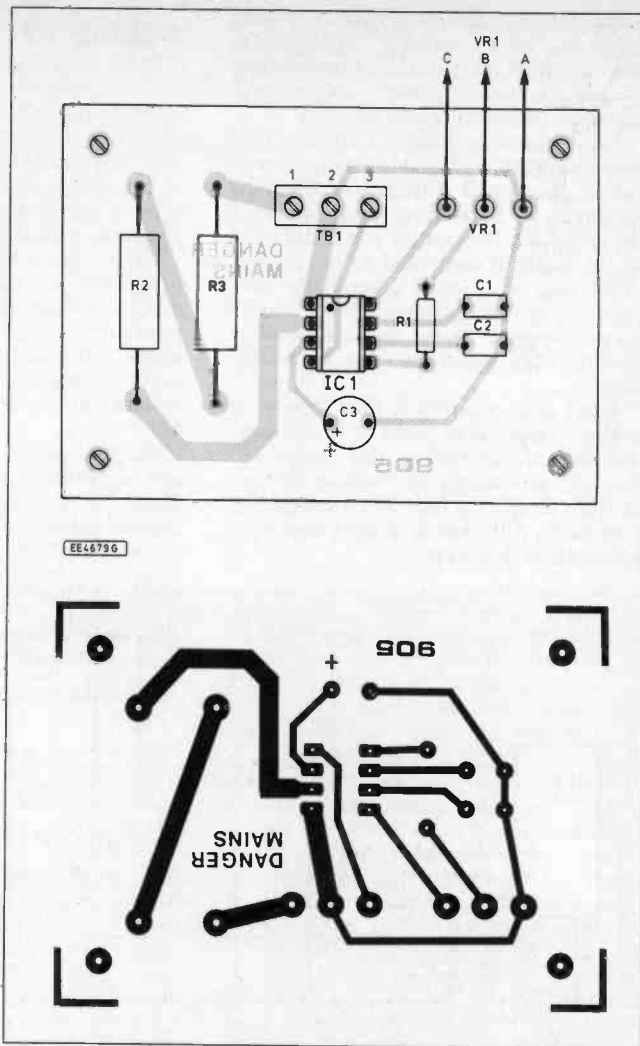
BURST FIRING

A zero-crossing detector is also incorporated in the SL443. The triac firing pulse from pin 4 is synchronised to ensure that triac CSR1 conducts at the start of a sine wave half cycle without chopping it. The value of capacitor C2 is calculated to ensure that the triac receives a triggering pulse of an adequate length, whilst capacitor C1 determines the ramp period or repetition rate of the bursts.

The value of C1 was calculated for a one second period, which as a result of tests enables the project to be used with visible heater elements such as electric fires. A longer period (several seconds or more) would result in electric fires alternately glowing red hot and then dimming.

The burst rate is probably of less consequence with hidden heating elements used in kilns or immersion heaters, but is clearly relevant if the electric element is also supposed to give a comforting glow: it shouldn't be pulsating in a menacing manner! (Though the author's does anyway, courtesy of Yorkshire Electricity.) For this reason, it is not feasible to use the Power Controller with electric coal-effect fires, because the “fireglow” bulbs will indeed

Fig. 4. (right) Printed circuit board component layout and full size copper foil master pattern.



flash on and off. (There is probably no finer demonstration of burst firing, with the coal effect flashing disco-like whilst the heater bars average out the bursts. Impress your friends!)

The Power Controller will deliver bursts of sine waves to the load based on a fixed cycle time of one second. By adjusting potentiometer VR1, the length of the bursts is determined, i.e. it controls the duty cycle. At minimum power, shorter bursts of a.c. mains are delivered every second (under 50% duty cycle), whilst at maximum output the circuit delivers a continuous sine wave (100% duty cycle).

Neon indicator LPI is in parallel with the load and this clearly reflects the burst firing repetition rate, and acts as a monitor.

It will flash according to the setting of VR1, and could be omitted if necessary. If nothing else, it's useful when first testing the completed design. Finally, as mentioned earlier, the circuit requires a minimum load of, say, 500W to operate successfully, otherwise CSR1 may fail to trigger properly or hold its conduction.

CONSTRUCTION

Construction starts with printed circuit board (p.c.b.) assembly, then front panel details and finally, interwiring and finishing off. The circuit itself has a low component count and is straightforward to build. However, some parts are at mains voltage and therefore the ability to solder neatly is



essential, in order to prevent accidental short circuits or unreliable operation.

A printed circuit board simplifies assembly and is probably *essential* these days for this type of project. The p.c.b. component layout and full size copper foil master pattern for the Power Controller are shown in Fig. 4. This board is available from the *EPE PCB Service*, code 905.

The prototype p.c.b. is housed in a plastic case which has a sloping aluminium front panel, and measures 215mm x 130mm x 78/47mm. An alternative choice might be a diecast aluminium box or other all-metal housing, since the metal front panel is used as a heatsink for triac CSR1.

The triac will become quite hot when the Power Controller is set for maximum output. Under these circumstances, the triac is passing peak continuous current and dissipates an appreciable amount of heat (which is negligible compared with the power dissipation of the load, though).

The specified case has proven acceptable in this application, however a golden rule with this project is that when selecting your own housing, allow plenty of room inside for air circulation around the components and do not be tempted to opt for too small a box. In fact ventilation slots, though not compulsory, would do no harm provided that tiny fingers cannot poke objects into the box and make contact with live terminals.

Continue construction by using the empty p.c.b. as a template on the box to mark the drilling centres for the insulated mounting hardware (see later). Then proceed with the assembly of the circuit board in accordance with Fig. 4. Power resistors R2 and R3 *must* be mounted proud of the board to permit air circulation around them, so stand them off by about 10mm – do not solder them flush to the p.c.b.

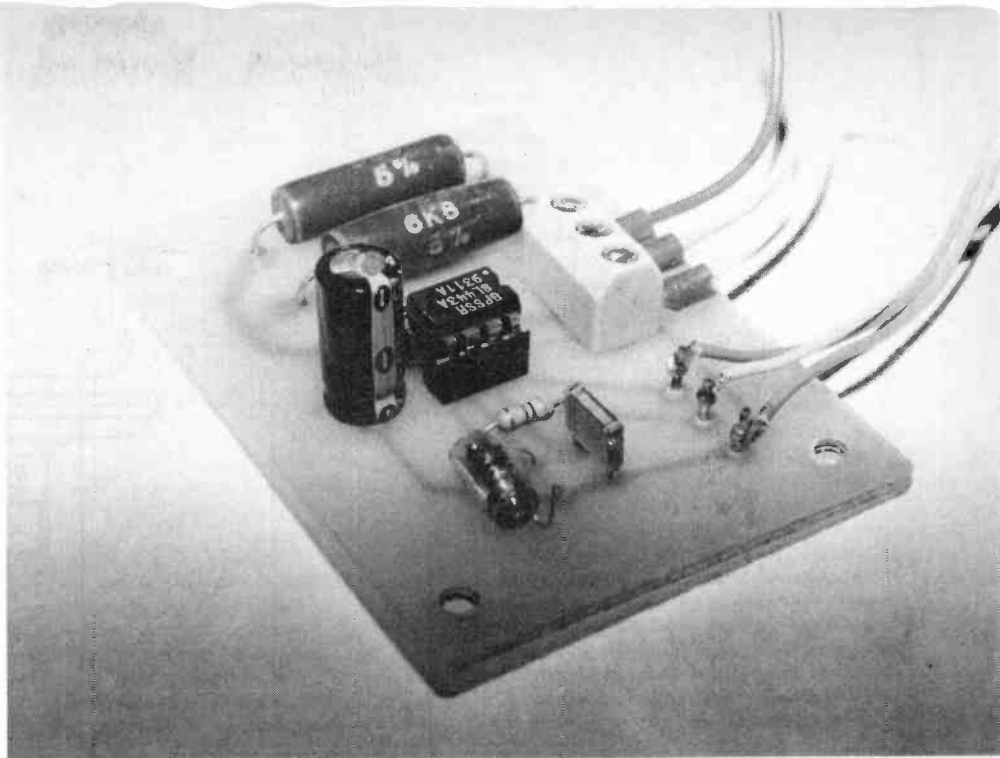
The i.c. should be fitted using an 8-pin d.i.l. socket and the electrolytic capacitor C3 must be correctly polarised. A three-way screw terminal block is used for TBI, this being safer and more reliable in the long term than soldering mains wires directly to the board.

CASE PREPARATION

Case preparation can start with the front panel which carries the panel-mounting 13A mains socket, together with neon LP1 and potentiometer VR1. It is necessary to mount the triac on the aluminium panel too, to act as a heatsink. Note that the triac *must* have an *insulated* tab. The front panel must be laid out in such a way that when the box is closed together, nothing fitted on the front panel interferes with any parts within the box.

Start off with preparation for the mains socket SK1. If a socket similar to that of the prototype is used, a 50mm diameter hole is needed in the panel. Do this with a Q-Max punch if available – a two minute job. Otherwise drill a series of small holes inside the circumference of the hole, then join them together to form a rough cut-out which can then be gradually smoothed to shape, using a half-round file – hard work!

Once the large cut-out has been prepared, drill the two adjacent mounting holes for the socket such that it will align correctly when finally fitted into position. Alternatively, use a surface-mounting 13A socket which mounts on the front of the panel, although they tend to look quite cumbersome.



Completed p.c.b. The power resistors must be mounted proud of the board.

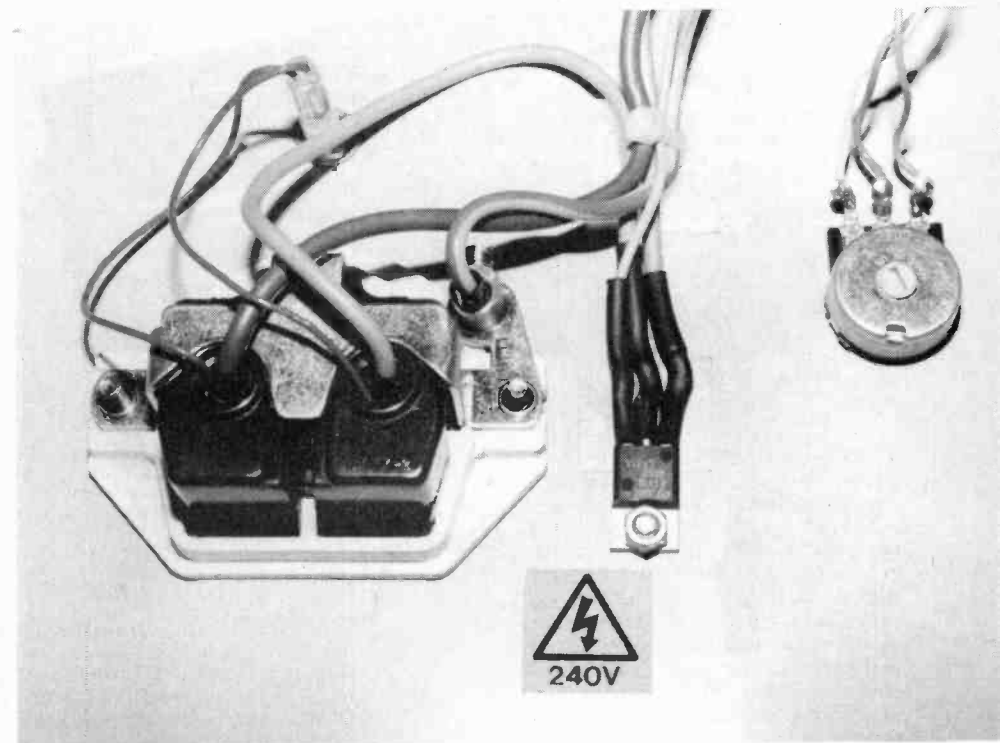
Also drill or punch the holes for potentiometer VR1 and the neon, followed by a 3mm hole centrally in the panel which will permit mounting of the triac directly using a countersunk or panel-head M3 x 6mm fastener. Although no insulation kit is needed it may be worth placing some insulation tape on the panel under the triac leads, just as a precaution to prevent against any errant strands of copper wire etc. shorting to the (earthed) panel.

Finally, once the panel has been prepared, it can be labelled with rub-down lettering as required, followed by a coat of protective spray-on lacquer to enhance the finish. Then fit all the panel-mounting parts and move onto the case.

The casing used with the prototype was made of plastic which eases any work. It needs to be prepared to accept the p.c.b., mains cable inlet and cable restraint. The



The metal front panel acts as the triac heatsink. Insulating tape under the sleeved pins provides extra protection.



Layout of components on the rear of the metal front panel.

layout of the interior is crucial, since adequate clearance must be allowed for the rear projection of the mains socket, potentiometer etc. once the front panel is secured.

The p.c.b. *must* be mounted with *fully-insulated* hardware for safety, e.g. nylon stand-offs or p.v.c. pillars using short self tapping screws at each end. Once again, organise the internal layout so that the unit will fit together without any obstructions being encountered. Also do ensure that the p.v.c. insulation of any wiring is kept away from the power resistors, whose *surface* temperature is just about adequate to melt ordinary insulation.

Still on the theme of safety, the prototype used a unique three-way 16A terminal block which incorporates a fuseholder within the Live feed. This entirely dispensed with the need to fit a separate fuseholder, also it automatically earths its own mounting bolt. If a separate fuseholder is used, it must be adequately rated (13A or more) and a 1 inch or 1.25 inch fuse type will therefore be called for.

The hole made in the box for the mains cable inlet is best fitted with a 10mm (internal diameter) grommet, to help prevent chafing or wearing of the cable insulation: it also helps to seal the hole. The three-core mains cable is rated at 13A and must of course be held in place with a cable restraint such as a nylon "P-clip" to prevent the cable from being pulled out or working loose.

INTERWIRING

Having located the main parts of the Power Controller into position, the final aspect of assembly is the interwiring. All wiring which might potentially carry a full load (up to 13A) must be adequately rated with this in mind, see Fig. 5. In actual fact,

The completed Power Controller with the front panel removed to show components mounted in the base of the case. The "well" to the right side of the p.c.b. accommodates the mains socket SK1.

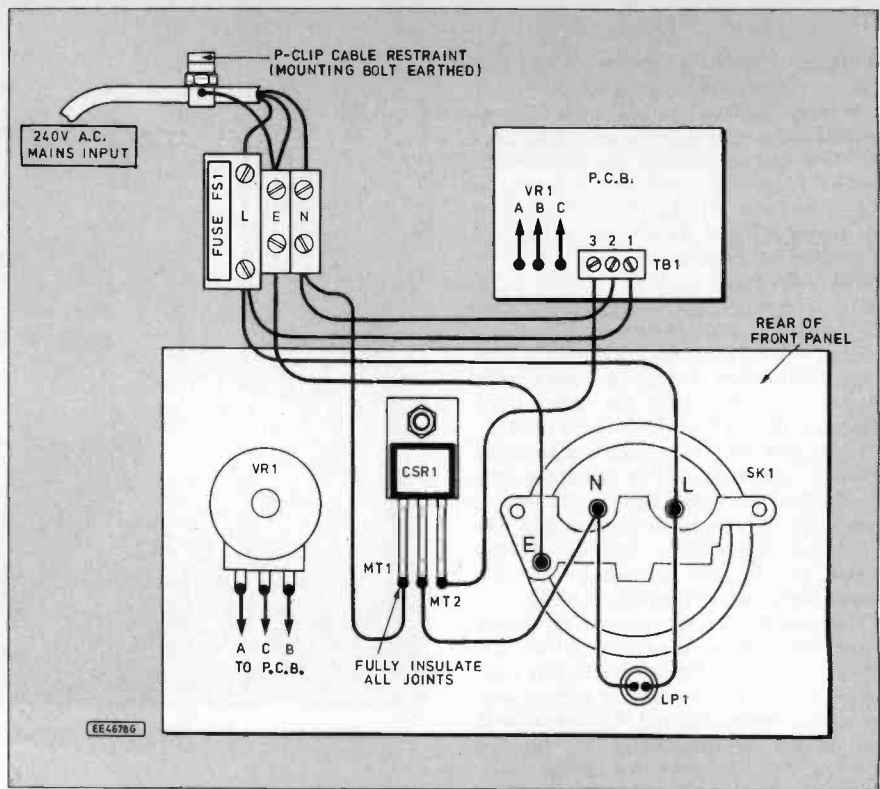
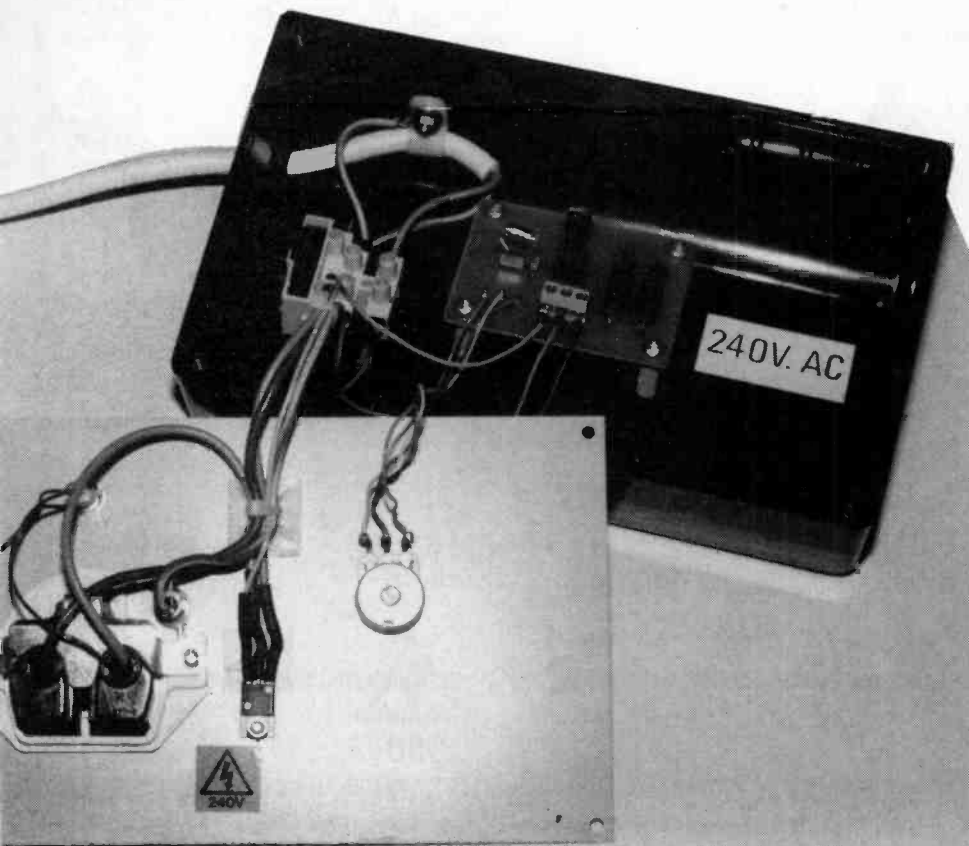


Fig. 5. Interwiring between components and p.c.b. Mains rated cable must be used between the mains terminal block, 13A socket and pins MT1, MT2 of the triac.

only the wiring to and from the mains inlet terminal block, the 13A socket and the triac (MT1, MT2 pins) require 13A cable.

The potentiometer can be connected to the printed circuit board with ordinary insulated hook-up wire (7/0.2mm). All other connections can be effected with 3A wire (16/0.2mm) chosen more for its insulation strength since the mains connections to the p.c.b. itself only carry a few milliamps.

The triac wiring requires special mention:

it is straightforward enough to solder the 13A wires to the appropriate leads, however because of the relative mass of the wires, precautions are needed to prevent these wires from straining the triac leads, which would undoubtedly break away if repeatedly flexed (metal fatigue). Hence, use generous lengths of p.v.c. or heatshrink sleeving on the triac wiring and leads to fully insulate them, and also provide a *strain relief* using a stick-on tie wrap base nearby. This will prevent unnecessary strain being applied to the leads.

Note also that the front panel will automatically be earthed through the Earth connection to the socket, which it will be seen is connected to the mounting screws. The P-clip mounting screw should be earthed with a separate wire, connected to a solder tag under the mounting bolt as shown.

Finally, fit a fused 13A plug and check all wiring for errors or omissions, inspecting mains joints very closely to ensure that they are adequately insulated. Having confirmed that all wiring is secured out of the way of the two power resistors, close up the case, ready for testing.

POWER UP

For maximum protection it is recommended that initial testing is performed through an ELCB/RCD Powerbreaker device, to protect against electric shock. The unit will not operate properly unless a reasonable load is connected, because the triac will not be able to conduct.

However, without a load, applying the mains will power the SL443 i.c. through the mains dropper resistors, which will become hot after a short period. Although various voltage measurements could be taken on the p.c.b. to confirm correct operation (e.g. the 7V d.c. across the potentiometer track), it is probably best to discourage any such testing because of the mixture of low voltage and full mains potential which exists on the board.

Testing is therefore restricted to ensuring the power resistors become hot – after a short period, unplug the Power

Controller completely from the mains and then check their temperature cautiously. Finally a suitable mains load can be attached, such as an electric fire (*not* a fan heater) or even an ordinary iron.

The neon indicator LPI should flash at a rate determined by the setting of VRI – at “maximum” output, the neon should be continuously alight. At “minimum” setting, the neon will be blinking, indicating that short bursts of mains voltage are being applied to the load.

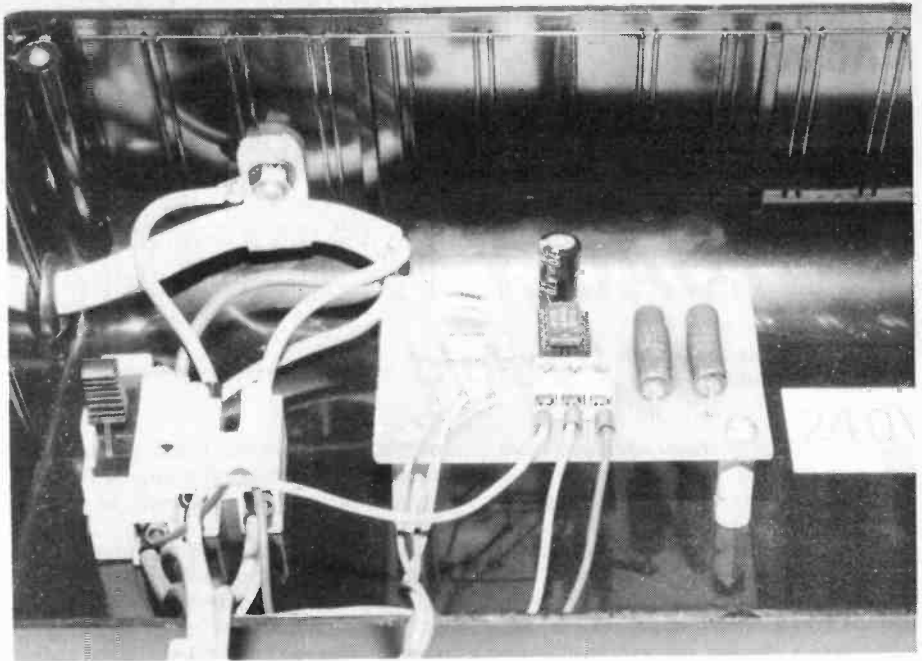
If everything is satisfactory so far, then apply a full load such as a two or three-bar electric fire, double checking that the burst-firing is fully variable using potentiometer VRI. As another check, the temperature of the triac mounting screw will rise when the Controller is on its maximum setting.

Monitor the prototype under full load test conditions for a good hour or more. Then unplug from the mains, inspect the interior to ensure that no insulation had caught on the power resistors and that there are no other visible problems, after which the Power Controller is ready for use.

Use the Power Controller directly on immersion heater elements or other resistive elements such as certain greenhouse heaters, oil-filled electric radiators or traditional electric bar fires. Bear in mind that a certain minimum load of say 500W is necessary for the triac to conduct properly. Below this, the burst firing may seem a little erratic.

FURTHER NOTES

If readers wish to install the Power Controller as a permanently-sited unit – perhaps adjacent to an immersion heater – then bear in mind the heat generated by the power resistors. The p.c.b. should be



The one-piece 16A terminal block, incorporating a fuseholder, and the p.c.b. mounted on plastic stand-off pillars

placed such that this heat will flow away from the i.c., not over it.

Also, in general terms, do ensure that adequate heatsinking is provided for the triac, and the size of the aluminium panel suggested by the prototype (212mm × 127mm) should be considered the *minimum* dimensions to enable the unit to handle maximum output conditions. The use of a metal box or panel as a heatsink has proven adequate for general purpose use

but a ready-made heatsink would enable the design to cope more readily with extreme operating levels.

If it is likely that the Power Controller will be operated at peak output for several hours or more, the triac will dissipate maximum heat under these circumstances and it may be preferable to use a commercial heatsink rated at say 7.5°C/Watt or so, and the size of the case will need revising to accommodate this. □

Pocket sized Logic Analyser for your PC



NEW SLA-16 Logic Analyser

- Low cost, High Performance 16 Channel Logic Analyser
- Connects to PC serial port, ideal for desktops or notebooks
- Supplied with easy to use software, power supply and cables
- High Speed -up to 50 MHz sampling
- Internal & external clock modes
- 8K Trace Buffer

Special Introductory Price
SLA-16 £ 189.00
for limited period only

Normal List Price £ 219.00

PICO TECHNOLOGY



Pico Technology Ltd. Broadway House, 149-151 St Neots Road, Hardwick, Cambridge. CB3 7QJ
TEL: 0954 - 211716 FAX: 0954 - 211880



Phone or FAX for sales, ordering information, data sheets, technical support. All prices exclusive of VAT

Techniques

ACTUALLY DOING IT!

by Robert Penfold

A NUMBER of major changes have occurred over the twenty five years or so that I have been designing electronic circuits. One of the more obvious of these is the rise in popularity of integrated circuits.

Twenty five years ago there were plenty of integrated circuits on sale, but nothing like the vast range currently on offer. Most of the devices in those days were quite simple by today's standards.

For the home constructor integrated circuits had a very strong novelty value at that time. Times change, and integrated circuits now form the basis of practically every electronic project. These days projects based on valves seem to have more novelty value than projects using the latest thing in VLSI technology!

Charged Up

Using integrated circuits is largely straightforward, but there are a few pitfalls awaiting lackadaisical constructors. A minor problem with many modern integrated circuits is that they are vulnerable to damage from static electricity. Any semiconductor device can be "zapped" by a large static charge, but charges of this magnitude are not likely to be found in the average house.

The components that are most vulnerable to static charges are any semiconductors that are based on some

form of MOS (metal oxide silicon, or metal oxide semiconductor) technology. These can be "zapped" by relatively small charges.

In fact they can be destroyed by such minor charges, that having just "zapped" one it is unlikely that you would be aware anything had happened. You would simply find that the device had mysteriously ceased to function.

Early MOS devices were very vulnerable to damage from static charges, but most modern MOS devices have built-in protection circuits. With a few exceptions these are not 100 per cent effective, but they do significantly reduce the risk of static damage.

The reason that MOS integrated circuits are vulnerable to static charges is that they have very high input impedances. In most cases the input impedance to a MOS device is over one million megohms. This enables high voltage charges to build up across pins of the device, with the voltage possibly building up to the point where the input breaks down, there is a discharge into the input, and the device is "zapped".

This does not occur with integrated circuits that are based on bipolar transistors, because components of this type have quite low input resistances. Apparently, this results in static charges being rapidly leaked away, and

never having a chance to build up to dangerous levels.

Sensitive Types

So which are the integrated circuits that use MOS technology and are vulnerable to static charges? If a project utilizes one or more static sensitive devices, suitable warnings should be given in the text. These general guidelines should also help you to identify vulnerable components.

All CMOS logic integrated circuits are static sensitive. This includes the 4000 series, plus 74HC, 74HCT, 74AC and 74ACT series TTL logic chips. However, the standard 74 and 74LS series of TTL chips are not based on MOS technology.

Virtually all microprocessors are MOS devices, as are the vast majority of computer support chips. This includes 68**, 65**, and 82** series support chips, plus the 6402 UART and similar devices.

Most analogue-to-digital and digital-to-analogue converters are MOS devices, but the popular Ferranti devices (ZN427E, etc.) are exceptions. Apart from the non-MOS devices mentioned here, virtually all current digital integrated circuits seem to be based on some form of MOS technology.

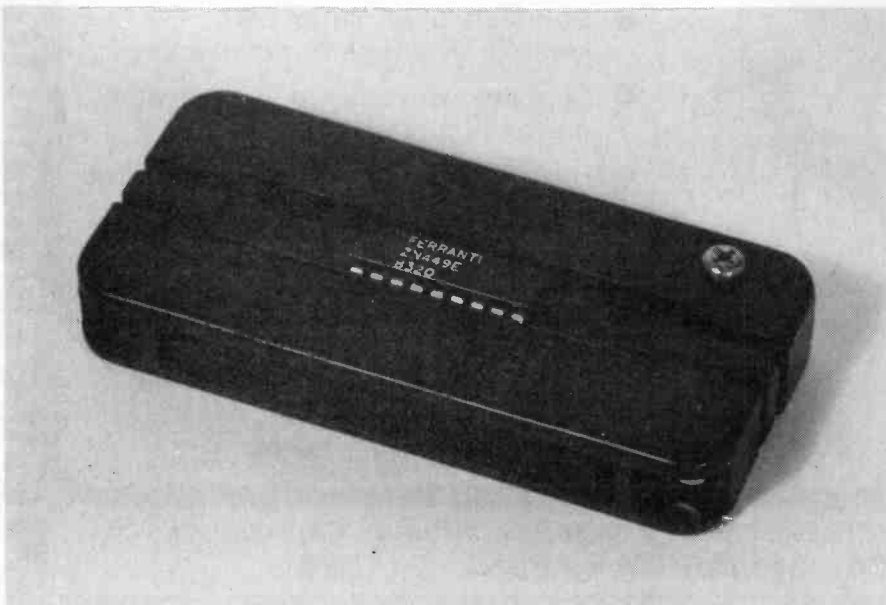
The situation is very different for analogue integrated circuits. These are mainly based on bipolar transistors, and MOS devices are relatively rare. There are a few exceptions, such as the CA3130E, CA3140E, CA3240E, and CA3160E operational amplifiers.

The MN30** series of "bucket brigade" delay-line chips and matching clock generator devices are also MOS devices. Obviously all forms of MOSFET transistor are static-sensitive, but junction gate field effect devices (Jfets) and ordinary bipolar transistors are not.

It seems to be increasingly common for non-MOS devices to be supplied in some form of anti-static packaging. I had always presumed that this was due to manufacturers finding it easier to use a standard method of packing for all devices, rather than using different types for MOS and non-MOS components. To some extent this would certainly seem to be the case, but the data sheets for some non-MOS semiconductors do contain warnings about the possibility of damage due to static charges.

In particular, many of the more up-market opto-isolators (6N138, 6N139, etc.) are supplied in anti-static packing, and the manufacturers recommend that the normal anti-static precautions should be observed when handling devices such as these. Apparently these components contain small-junction bipolar transistors that are vulnerable to static charges.

I think that I am correct in saying that the potential problem is not a gradual build-up of a static charge, as with MOS components. It is more a problem of sudden static discharges. Due to the small physical size of the transistors, they are vulnerable to damage from



A simple but effective device for straightening the pins of d.i.l. i.c.s.

small discharges that would not have any effect on normal bipolar semiconductors.

Protection Racket

If any device is supplied in some form of anti-static packing it is probably best to treat it as a static-sensitive component. There are four standard forms of anti-static packing, and conductive plastic foam is probably the most common of these.

Normal plastics have extremely high resistances indeed, but an additive in this black plastic foam material produces a fairly low resistance. In fact it is low enough to be measured using an ordinary multimeter set to a middle resistance range. On testing a few small pieces of this material readings of about 20 kilohms were obtained.

The more expensive integrated circuits are often supplied in simple four-sided plastic holders. Like the foam packing, these are made from a black conductive plastic. Again, the resistance through the plastic is low enough to be measured using an ordinary multimeter, and is low enough to ensure that there is no build-up of static charges.

In both cases the purpose of the plastic is to provide a low resistance path which prevents high voltages from building up across the pins of any component within the packing. Bear in mind that it is a high voltage between two pins that causes damage, not a high static charge *per se*.

Presumably conductive packing also diverts any sudden static discharges away from the device within the packing. In addition to protection against high static voltages, the plastic holders also provide good protection against physical damage.

It is increasingly common for integrated circuits and some other semiconductors to be supplied in a small blister pack. The clear plastic front of the pack probably helps to insulate the device inside from high static voltages, but the main protection is in the form of metal foil over the backing card. This effectively provides a short circuit across the pins of the component within the blister pack, and prevents any damage.

The fourth type of anti-static packing is a plastic tube, which is often quite long and used to store a dozen or more integrated circuits. The plastic is not conductive, and this type of packing is apparently designed to insulate the integrated circuits from any high voltages in the outside world.

Precautions

Whatever type of packing devices are supplied in, the most important thing is to leave them in the packing until it is time to fit them onto the circuit board. This is not until *all* the wiring has been completed and the project is otherwise complete. *Handle static-sensitive devices as little as possible.*

Although constructors are sometimes advised not to touch the pins of static-sensitive integrated circuits at all, I am

not sure that this is really a practical piece of advice.

The pins of d.i.l. integrated circuits are usually splayed outwards slightly. I assume that this is done in order to aid certain types of automated construction, but it makes life more difficult for the home constructor. The two rows of pins must be pinched inwards slightly before the components will fit into holders or on a circuit board.

The pins can simply be bent inwards using your fingers, but it is difficult to keep each row neatly aligned using this method. Many constructors find that neat results can be obtained by pressing each row of pins against a tabletop, and gently bending them into place.

There is actually an inexpensive gadget that will do the job almost instantly. It is double-sided, taking 0.3 inch pitch devices on one side, and 0.6 inch types on the other.

You simply drop the device into place, squeeze the gadget, and remove the integrated circuit. It will then drop into place with no difficulty. I am not generally keen on clever little gadgets, but I have to admit that this one is well worth having.

Down to Earth

Whichever method you use, try to handle the pins as little as possible. Always use a holder for static-sensitive components unless the instructions in the article state that the device must be connected directly to the board. This is only necessary with some of the more exotic MOS devices, such as certain high frequency MOSFETs and most power MOSFETs.

If you do have to make connections direct to a MOS device, always use a soldering iron having an "earthed" bit. Most modern electric soldering irons are of this type, and if an iron's mains lead has an Earth wire the bit is almost certain to be earthed to this lead. However, if in doubt you can use a continuity tester to check that the

earth pin of the mains plug is connected to the bit.

As supplied, some MOSFETs have a small wire clip which short circuits all the leads to the metal body. This is a very simple but effective method of static protection, but do not forget to remove the clip once the device has been fitted to the circuit board.

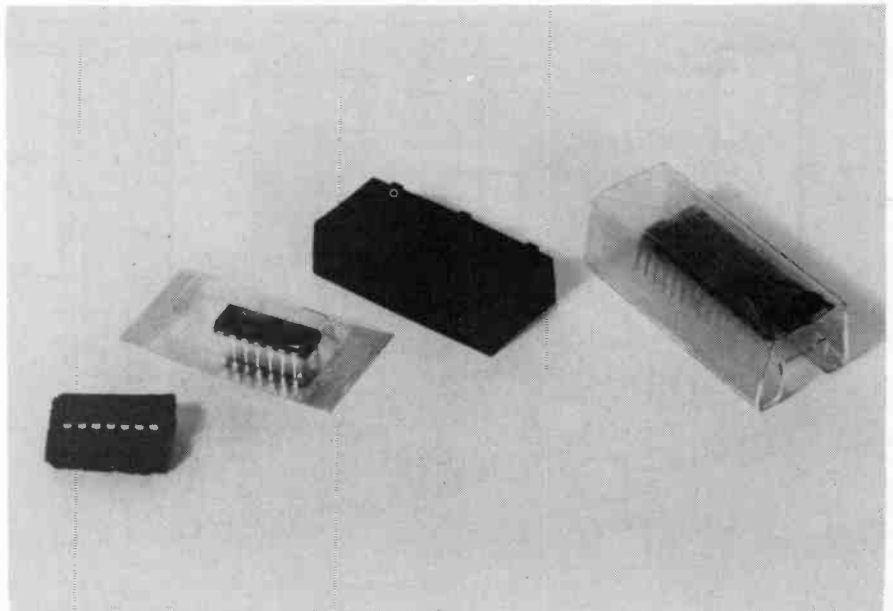
There will inevitably be a short time between a device being removed from its packing and plugged into its holder, and it is vulnerable to static charges during this time. It makes sense to keep the work area free from any obvious sources of high static voltages, especially during this in-between period.

Do not wear clothes that are known to be good static generators. Clothes manufactured from 100 per cent man-made fibres are the most likely cause of problems, but these seem to be something of a rarity these days.

Fabrics which contain at least a reasonable percentage of natural fibres are not likely to generate significant static charges. Definitely do not set up your home workshop in a room which has a carpet that is apt to produce static charges, and keep the work area free from anything that is known to produce the familiar "clicks" and sparks of static discharges. (*Keep the cat away! - Ed.*)

There is an enormous range of anti-static goods on sale, and you will find a fair selection in the tools section of practically any electronic component catalogues. The items on offer include earthed anti-static mats and wrist bands, special furniture, and cleaning sprays. These are mainly aimed at professional users, and are probably not a worthwhile proposition for the hobbyist.

The cost of some basic anti-static equipment is likely to be far greater than the value of any components it saves from being "zapped". Provided you take a few basic precautions there should not really be any need for anti-static mats, etc.



Four types of anti-static packing. From left to right these are: conductive foam, a blister pack, a conductive plastic holder and a plastic insulating tube.

TV OFF-ER

CHRIS BROWN



Put your TV safely to sleep when you nod off for the night.

MOST modern TVs have infra-red remote controls to operate virtually every feature, from increasing the volume to lowering the brightness, from changing channels to turning the whole thing off.

The latter is, in most cases, a compromise in that it still leaves part of the electronics functioning; you simply press a channel key and it all springs to life again. Some people may use this feature to switch off their bedroom TV once they wish to settle down for the night, but this could present a potential fire risk due to internal circuitry still being active.

The circuit described here allows you to pre-select a time limit between 15 minutes and 60 minutes, after which the whole TV is turned off by a relay which switches off the mains power. The unit will still contain live mains voltage inside, but it is only used to drive a neon indicator.

In operation, having "dialled in" a 60 minute delay period, four light emitting diodes (l.e.d.s) are turned on, each representing 15 minutes delay. These l.e.d.s are turned off in sequence at 15 minute intervals.

When less than five minutes delay remains, another set of five l.e.d.s is turned on. These are then turned off individually in sequence at one minute intervals. When the final l.e.d. is turned off, both the TV and this control unit are turned off as well.

The idea is that if, for example, you see the last five minutes indicator turned on, and your TV program still has 10 minutes more to run before ending, you can select a further 15 minutes delay time.

HOW IT WORKS

The circuit diagram for the main timing oscillator is shown in Fig. 1. In the drawing, a 555 timer, IC2, is wired in astable mode in which it generates a square wave output of about 1Hz, as set by resistor R1, preset potentiometer VR1 and capacitor C4. The clock frequency output from IC2

pin 3 is sent to the clock input pin 10 of IC3, as shown in Fig. 2.

IC3 is a 14-stage ripple counter of which only seven outputs are used. Output Q4 goes high every 0.8 seconds, and output Q14 produces the 15 minutes timing clock pulse. Either of these outputs can be routed via switch S1c to the clock input pin 15 of the presettable up/down counter IC5. The role of the other used outputs of IC3 will be described shortly.

When rotary switch S1 is in position one (as shown in Fig. 2) the up/down control input of IC5, pin 10, is taken high via S1b, and S1c routes the 0.8 seconds pulse to the clock input of IC5 pin 15. In this mode, IC5 counts upwards, incrementing its total count by one for each clock pulse received.

At each fourth clock pulse, IC5 output Q3 resets this counter via its reset pin 1. This means that the counter will be repeatedly cycled through a count sequence of zero to three, with each output count value remaining "selectable" for 0.8 seconds for as long as switch S1 in position one.

When a new timing sequence is initiated (by switch S1 being switched from position two to position one), a pulse is generated across the network consisting of capacitor C5 and resistors R2 and R3. This resets counter IC3 back to zero. Resistors R4 and R5 hold IC5 pin 10 and pin 15 at 0V during the change over between switch positions one and two.

The Q1 and Q2 binary outputs of IC5 are connected to the A and B control inputs of

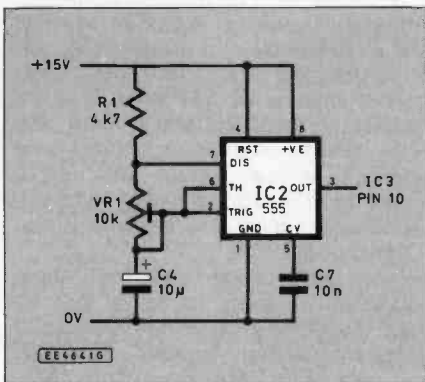


Fig. 1. Timing oscillator stage.

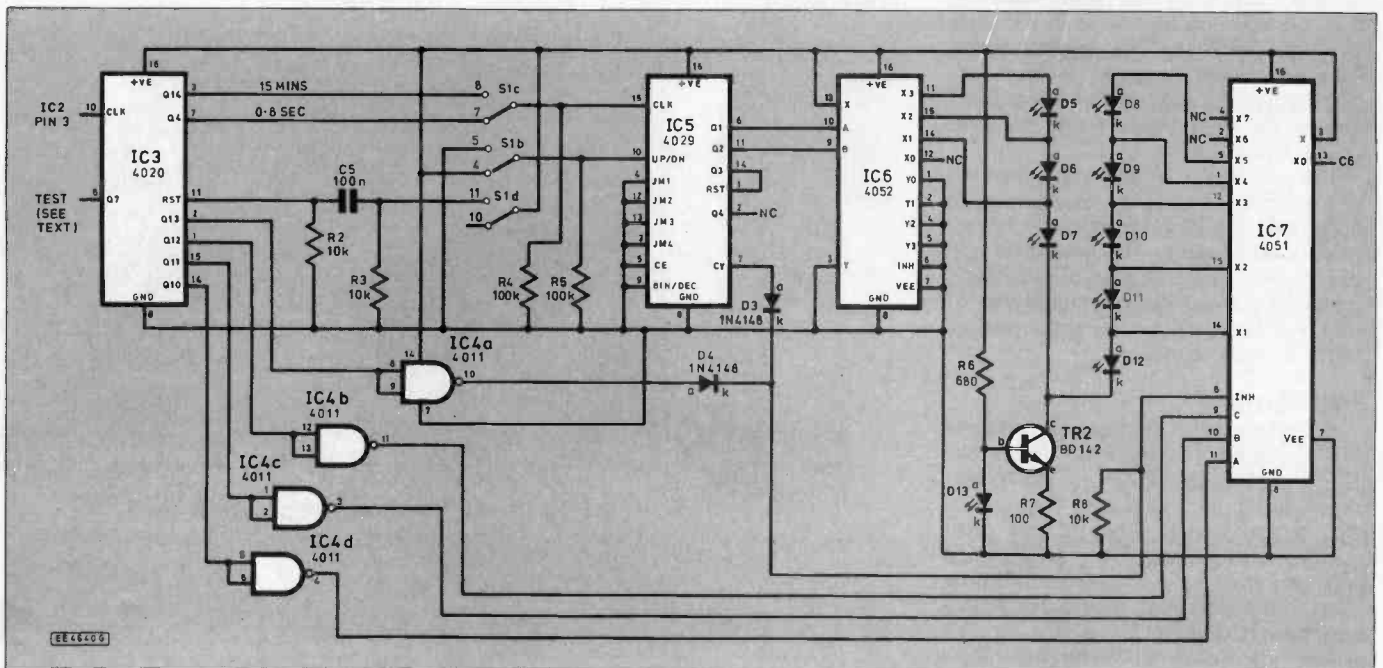


Fig. 2. Circuit diagram for the control stage of the TV Off-er.

a dual 4-way analogue multiplexer, IC6. In this circuit, only one half of the chip is used, and the controls route the positive voltage on the X input to one of the X0 to X3 outputs, as selected by the code on control inputs A and B. The Y paths of IC6 are not used and so are connected to the 0V power line.

COUNT DOWN

Outputs X1, X2 and X3 of IC6 are connected to three l.e.d.s, D5, D6 and D7. These l.e.d.s are wired in series and indicate delay-time multiples of 15 minutes, plus a further 15 minutes, during which the counters will continue to "tick" away. For example, when all three l.e.d.s are on, the display represents a delay of one hour ($3 \times 15 + 15$ minutes). The source of the extra 15 minutes will be explained shortly.

When rotary switch S1 is moved to its second position, it connects the 15 minute signal to IC5 pin 15, the clock input, and takes low IC5 pin 10, the up/down input. Each clock pulse now decrements IC5's count value and successively each of the l.e.d.s D5 to D7 is turned off in sequence.

Note that IC6, being an analogue multiplexer, can only have one output "active" at any one time. Its other outputs are simply held open circuit. Thus, the only route that the l.e.d. current can take is through transistor TR2. The latter, in conjunction with resistors R6 and R7, and l.e.d. D13, is connected as a constant current sink for all l.e.d.s D5 to D12.

Consequently, however many of these l.e.d.s are turned on, they will all be at the same brightness. The l.e.d. D13 is additionally used as the "five minutes remaining" indicator.

As soon as counter IC5 reaches its terminal (zero) count, or the 15 minutes period has been selected (which also sets the counter to zero), its carry-out pin 7 goes low. This is connected via diode D3 to IC7's inhibit pin 6. IC7 is an 8-way analogue multiplexer which is wired with its X input pin 3 connected to the positive line. Its outputs X1 to X5 control the series of five l.e.d.s, D8 to D12, in response to binary codes applied to its control inputs A, B and C.

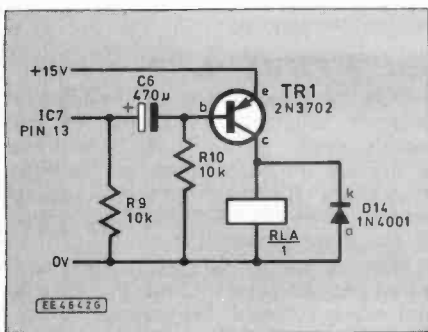


Fig. 3. Relay driver stage circuit diagram.

The latter binary control codes, and an additional inhibit signal, are supplied by outputs Q10 to Q13 of counter IC3, and inverted by the four NAND gates IC4a to IC4d. The least significant bit (output Q10 via IC4d) of this output group is clocked at a rate of one pulse per minute.

When output Q13 is low, the inverted signal from IC4a via diode D4 holds IC7 in an inhibited condition. During this time, l.e.d.s D8 to D12 are turned off as no power is supplied to them. IC7 remains

inhibited until IC3 output Q13 goes high, at which time IC3 outputs Q10 to Q12 will go low, thus applying binary code 7 to the control inputs of IC7 via gates IC4b to IC4d.

Two minutes later, the control code on IC7 changes to binary 5, so switching power through to l.e.d. D8, and on through l.e.d.s D9 to D12 as well. Consequently, all five of these l.e.d.s are turned on. As the count progresses through IC3, the control code applied to IC7 changes at one minute intervals. Thus IC7 switches the power line routing to successive outputs and the l.e.d.s are turned off in sequence.

Eventually, when the control code applied to IC7 reaches zero, IC7 output X0 (pin 13) goes high, causing a positive-going pulse to be generated across capacitor C6 in Fig. 3. The negative side of C6 is connected to the base of transistor TR1.

the TV and the unit's mains power. Resistor R9 simply allows capacitor C6 to discharge when the circuit is turned off. Diode D14 protects TR1 from the back e.m.f. voltage generated when the relay coil is switched off.

The purpose of diodes D3 and D4 together with resistor R8 in Fig.2 is to act as a wired-AND gate which allows the inhibit pin of IC7 to be controlled by positive level signals from IC4a and IC5. When neither diode has a positive voltage across it, the inhibit pin of IC7 is held low by resistor R8.

Referring to the power supply circuit of Fig. 4, mains power is brought into transformer T1, which produces an output from its twin secondary windings of about 15V a.c. Diodes D1 and D2 rectify the a.c. voltage, which is then smoothed by capacitors C1 and C2. The peak off-

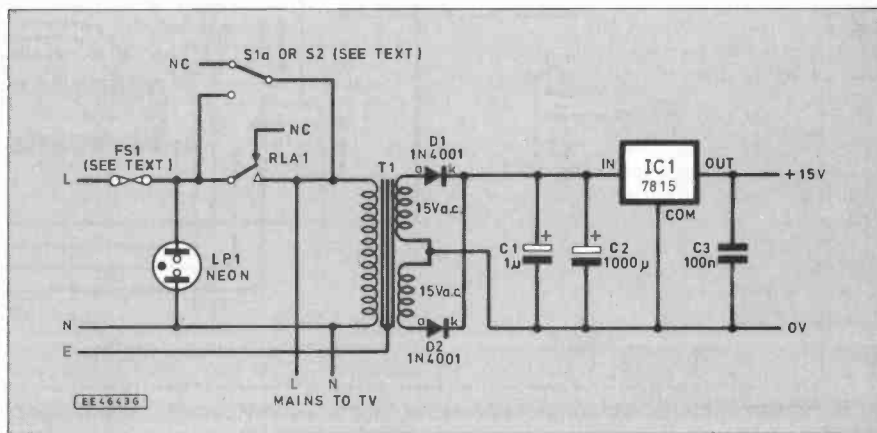


Fig. 4. Circuit diagram for the power supply stage and arrangement of the relay "by-pass" switch S1a or S2.

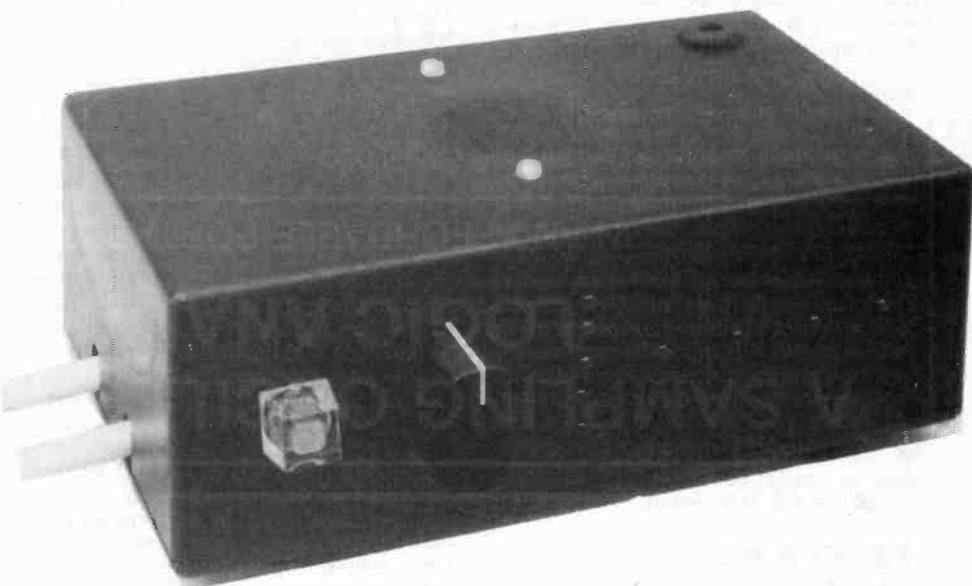
RELAYING POWER

Transistor TR1 is a pnp type which has its base biased via resistor R10. Normally, TR1 is held in a conducting state by its base bias, and current flows through the coil of relay RLA and the relay contacts RLA1 switch mains power to the TV and to the unit's transformer T1.

On receipt of the brief pulse via capacitor C6, TR1 ceases to conduct and the relay contacts open (see Fig.4), so switching off

load rectified voltage at the input to regulator chip IC1 will be approximately $15V \times 1.41 = 21.2V$ d.c., although this may vary depending on the transformer's manufacturing tolerance. IC1 regulates the rectified voltage down to 15V d.c.

The contacts of RLA1 are operated when the relay coil in Fig. 3 is energised. Choice of which relay by-passing switch is used, S1a or S2 in Fig. 4, is discussed at the end of the article.



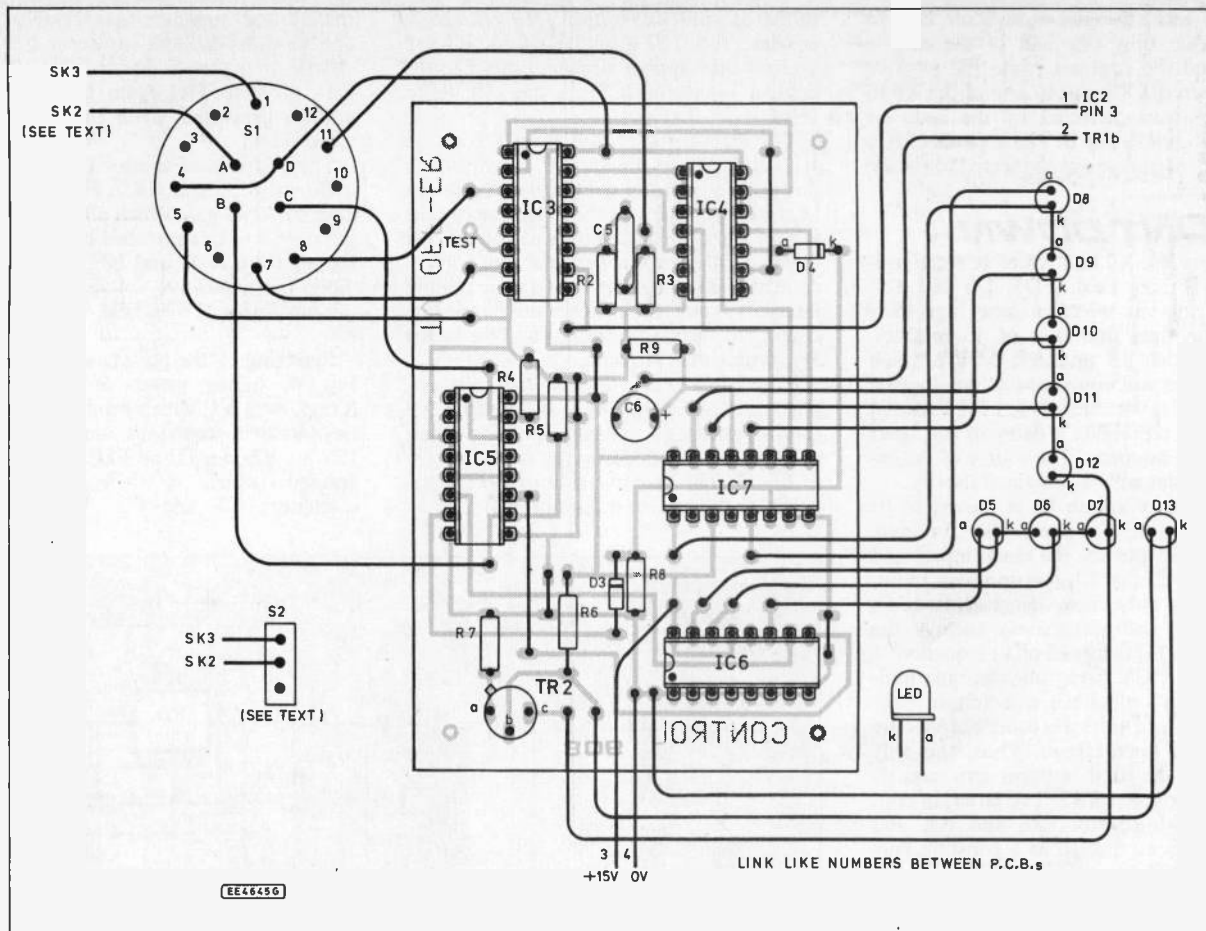


Fig. 5. Printed circuit board component layout for the Control circuit. The full size copper foil master pattern is shown opposite, top left.

CONSTRUCTION

The printed circuit board (p.c.b.) top-side component layouts and full size copper foil master patterns for the TV Off-er are shown in Fig. 5 and Fig. 6. The boards are available as a combined set from the *EPE PCB Service*, code 908/909.

It is preferable to use sockets for all the d.i.l. i.c.s. Remember to include the link wires, and to correctly orientate the electrolytic capacitors and all the semiconductors as shown. It is best to omit all i.c.s except IC1 until the unit has been initially tested. The lugged locating washer of switch S1 should be adjusted so that only positions one and two can be selected. Position three of the switch is not used.

Warning

Once the boards are assembled, it is essential they are tested. When working on the unit, beware that mains voltages can be lethal and that extreme care must always be taken. Ensure that no mains voltages can come into contact with any part of the low-voltage circuits or components.

Although a separate fuse was not used in the mains power line at the entry point to the prototype unit, it is strongly recommended that one should be included, as shown in Fig. 4 and Fig. 6. The fuseholder should be mounted through a hole drilled in the side of the case and the fuse rating selected to suit the TV being controlled. If in any doubt about any aspect of the mains connections, consult a qualified electrician.

TESTING

In view of the potential hazards caused by incautiously working with a mains powered unit, it is best during the initial testing stages to use, if possible, a bench

power supply delivering about 20V d.c. Connect the d.c. supply to the input and common pins of regulator IC1, observing the correct polarity. Verify that the regulator is working properly by connecting a voltmeter across the common and output pins of IC1. A voltage of close to +15V d.c. should be present.

Insert the remaining i.c.s. Set the wiper of preset potentiometer VR1 to about its mid-way position, and with the voltmeter monitor the output of IC2, at pin 3. The meter reading should fluctuate quite rapidly indicating that IC2 is generating pulses. With the meter, monitor IC3 pin 7. This time the meter should show a series of high/low readings, each cycle taking approximately one second.

Switch S1 to position one and monitor IC5 pin 6 and then IC5 pin 11. It should be apparent that the outputs are toggling up and down and that the output rate for IC5 pin 11 is half the rate of IC5 pin 6. If these tests are satisfactory, it is likely that the remaining circuitry is functioning correctly.

If you are feeling patient, you could similarly use the meter to monitor the control inputs to IC7 at its pins 9, 10 and 11. Even more patient observation of all the l.e.d.s should verify that they are being correctly controlled.

The mains power cables can now be connected via the terminal blocks on the p.c.b. The mains cable used with the unit must have a current carrying capability greater than the current drawn by the TV set. It is advisable to remove all i.c.s except for IC1 until it has been verified that the complete power supply is functioning correctly.

For safety reasons, the unit should now be mounted into its case. The case chosen for the prototype was not, perhaps, the best choice as it had p.c.b. guides on the internal

walls. These had to be filed out before the l.e.d.s would protrude through far enough, and to enable rotary switch S1 to be sited correctly. You may find that a different style of case, but having similar dimensions, may suit your needs better.

Once the unit has been housed, and observing the mains-safety warning given earlier, switch on the mains power and check that the voltage regulator IC1 still delivers an output of 15V d.c. If not, immediately switch off and recheck your connections. If satisfied, switch off and re-insert the removed i.c.s.

SETTING UP

Only one minor setting-up procedure is required: adjusting the output of the master clock generator IC2 so that it delivers 0.109375 pulses per second! Thankfully, that amounts to a readily readable pulse rate of about 14 seconds at IC3 pin 6, the Q7 output.

With the meter, monitor this pin and adjust potentiometer VR1 (see Fig. 1) until this rate is achieved. Alternatively, if you are especially patient, you could monitor IC3 pin 3 (output Q14) and adjust VR1 until it delivers a 15 minute rate!

IN USE

When plugged into the mains, no power will reach the circuit or TV when the relay contacts are open. This situation is changed by turning rotary switch S1 to position one, which bridges the relay contacts. When this is done, the 30 to 60 minute l.e.d.s come on one by one, changing at intervals of 0.8 seconds. The 15 minute indicator remains on all the time but may dim slightly when it is the only l.e.d. turned on, due to the fact that the collector of TR2 has no load at this time.

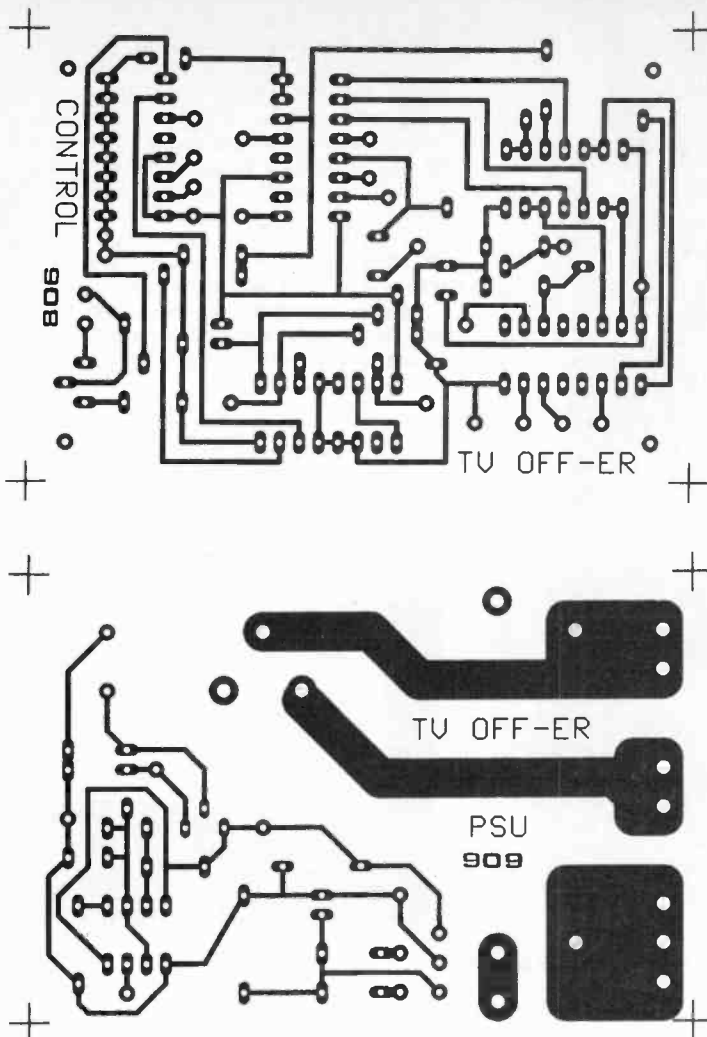


Fig. 6. (above left) Full size power supply board foil master and, above right, the topside component layout.

Once the chosen time is reached, switching S1 to position two will start the timing count-down sequence. The switch can be set back to position one at any time to select a new timing range. Should the unit be plugged in with switch S1 set to position two, nothing will happen. In which case, simply set S1 back to position one and proceed as above.

Obviously, while the unit is running in a real-life situation, switch S1 should not be moved to position one as this would simply bridge the relay contacts, so preventing the unit from switching off the TV when the allotted time has run.

SWITCH RATING

It should be noted that the use of rotary switch S1 for switching mains voltages is subject to its voltage and current switching capabilities. The standard midget wafer switches commonly available are rated at 250V a.c. at a maximum switching current of 150mA. Often a secondary current is quoted for the switches, typically of 4A or 5A. This secondary rating is the maximum current carrying load that the switch will withstand across its *motionless* contacts. It is not the maximum current than can actually be switched.

It is likely that many TV sets will draw more than 150mA and therefore, in this instance, the standard midget wafer switches must not be used to switch the TV mains power supply on and off. The current rating of your TV will be quoted

either on a label on the back, or in its operating manual. If the set draws less than 150mA then the TV Off-er circuit may be used fully as described above.

If the TV current drawn is greater than

150mA then a high-current mains rated second switch, S2 as shown in Fig. 4 and Fig. 6, must be used as the by-pass on/off switch across relay RLA1. In this event, the live mains leads are connected to switch S2

COMPONENTS

Resistors

R1 4k7
R2, R3, R8, R9, R10 10k (5 off)
R4, R5 100k (2 off)
R6 680
R7 100
All 0.25W 5% carbon film or better

Potentiometer

VR1 10k sub-min round preset

Capacitors

C1 1µ radial elect. 63V
C2 1000µ radial elect. 25V
C3, C5 100n polyester (2 off)
C4 10µ radial elect. 25V
C6 470µ radial elect. 25V
C7 10n polyester

Semiconductors

D1, D2, D14 1N4001 rectifier diode (3 off)
D3, D4 1N4148 signal diode (2 off)
D5 to D13 sub-min. red l.e.d. (9 off)
TR1 2N3702 *pnp* transistor
TR2 BC142 *nnp* transistor
IC1 7815 1A 15V regulator
IC2 555 timer
IC3 4020 14-stage binary counter

See
**SHOP
TALK**
Page

IC4 4011 quad 2-input NAND gate
IC5 4029 4-stage up/down counter
IC6 4052 dual 4-way analogue multiplexer
IC7 4051 8-way analogue multiplexer

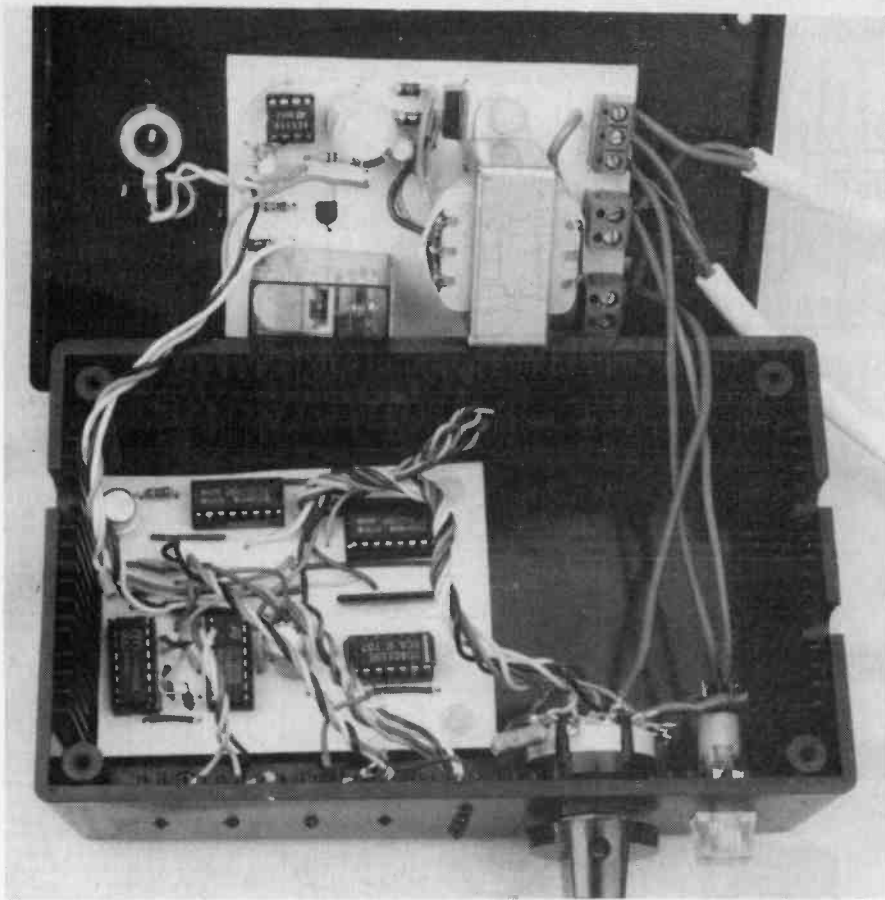
Miscellaneous

S1 4-pole 3-way mains-rated rotary switch (see text)
S2 mains rated on/off switch (see text)
RLA 12V p.c.b. mounting relay, with s.p.c.o. 15A 250V a.c. contacts

Printed circuit boards available from EPE PCB Service, code 908/909 (pair); mains transformer with 15V-0V-15V 100mA secondary winding; mains neon; panel mounting fuseholder, fuse to suit; 2-way p.c.b. mounting mains connector block (2 off); 3-way p.c.b. mounting mains connector block; 2BA nylon nuts and bolts (6 off); knob; 8-pin d.i.l. socket; 14-pin d.i.l. socket; 16-pin d.i.l. socket (4 off); plastic case 138mm x 96mm x 55mm (L x W x H); stick-on rubber feet (4 off); cable; connecting wire; solder etc.

Approx cost
guidance only

£30



Layout of components inside the prototype model. The preset potentiometer has now been incorporated on the p.c.b.

and not to switch section S1a. The low voltage connections to S1 remain as shown (switch sections S1b, S1c and S1d).

Operation of the *TV Off-er* is still basically as described above, except that switch S2 has to be used to apply power to the TV before relay RLA1 contacts have been closed by the timing circuit. Once the relay is active, then switch S2 should be switched off, allowing the circuit to switch off the TV via the relay at the end of the timed period.

Readers are advised to check with their supplier the mains voltage and current rating of any rotary wafer switch bought for use with the *TV Off-er*. □



A SAMPLING OSCILLOSCOPE AND LOGIC ANALYSER!

IN AN AFFORDABLE PORTABLE PACKAGE

- 10 Mega samples per second single channel DSO
- 1MHz analogue bandwidth
- 0.2V-50V input range
- Various Triggering options
- 10 Mega samples per second 8 channel logic analyser
- 5V TTL/4.5-15V CMOS logic level inputs
- Crisp, clear LCD screen
- Zoom and Scroll facilities (selected ranges only)
- Battery or mains adapter powered
- 12 Months Warranty (Built version only)
- "Get you working" service (kits only)

The Miniscope



Write or phone for a free Information Pack to

AUDON

AUDON ELECTRONICS

36 Attenborough Lane, Chilwell, Nottingham NG9 5JW 0602 259737

MINISCOPE KIT £139

MINISCOPE BUILT £179

MAINS PSU £3 P&P £3

PLEASE ADD VAT AT 17.5%



**ELECTRONICS TEACH-IN 88/89-
INTRODUCING MICROPROCESSORS**
Mike Tooley BA (published by *Everyday Electronics*)

A complete course that can lead successful readers to the award of a City and Guilds Certificate in Introductory Microprocessors (726/303). The book contains everything you need to know including full details on registering for assessment, etc.

Sections cover Microcomputer Systems, Micro-processors, Memories, Input/Output, Interfacing and Programming. There are various practical assignments and eight Data Pages covering the most popular microprocessors.

An excellent introduction to the subject even for those who do not wish to take the City and Guilds assessment.
80 pages (A4 size) **Order code T1 88/89** **£2.45**

**ELECTRONICS TEACH-IN No. 3-
EXPLORING ELECTRONICS**
(published by *Everyday Electronics*) Own your own copy. Another EE value for money publication.

The course is designed for students of electronics. The course is designed to help students in the workings of electronic components and circuits by involving the reader in experimental work. The book does not contain masses of theory and formulae but straightforward explanations and diagrams to build and experiment with.

Exploring electronics contains more than 25 useful projects and experiments. No previous knowledge of electronics and no need for expensive test equipment.
160 pages (A4 size) **Order code T3** **£2.95**

**ELECTRONICS TEACH-IN No.5 GUIDE
TO BUILDING ELECTRONIC PROJECTS**
Published by *Everyday Electronics*

Due to the demand from students, teachers and hobbyists we have put together a range of articles from past issues of

Everyday Electronics that will assist those involved with the construction of electronic projects.

The book contains the complete *Project Development for GCSE* series.

Contents: Features - First Steps in Project Building; Building with Vero; Project Development for GCSE; Getting your Projects Working; Guide to Printed Circuit Boards; Choosing and Using Test Equipment - The Multimeter, The Oscilloscope, P.S.U.s, Logic Probes, Digital Frequency Meters, Signal Generators, etc; Data - Circuit Symbols; Component Codes; Resistors; Identifying Components; Capacitors; Actually Doing It - Understanding the Circuit Diagram, Component Codes, Mounting circuit boards and controls, Understanding Capacitors; **Projects -** Lie Detector, Personal Stereo Amplifier, Digital Experimenters Unit, Quizmaster, Siren Effects Unit, UV Exposure Unit; Low-cost Capacitance Meter, Personal Radio.
88 pages (A4 size) **Order code T5** **£2.95**

**ELECTRONICS TEACH-IN No. 6
DESIGN YOUR OWN CIRCUITS**
(Published by *Everyday with Practical Electronics*) Mike Tooley B.A.

This book is designed for the beginner and experienced reader alike, and aims to dispel some of the mystique associated with the design of electronic circuits. It shows how even the relative newcomer to electronics can, with the right approach, design and realise quite complex circuits.

Forty-nine individual p.c.b. modules are described which, with various detailed modifications, should allow anyone to design and construct a very wide range of different projects. Nine "hands-on" complete DIY projects have also been included so readers can follow the thinking behind design, assembly, construction, testing and evaluation, together with suggested "mods" to meet individual needs.

The subjects covered in each chapter of the book are: Introduction and Power Supplies; Small Signal Amplifiers; Power Amplifiers; Oscillators; Logic Circuits; Timers; Radio; Power Control; Optoelectronics.

The nine complete constructional projects are: Versatile Bench Power Supply; Simple Intercom; Bench Amplifier/Signal Tracer; Waveform Generator; Electronic Die; Pulse Generator; Radio Receiver; Disco Lights Controller; Optical Communications Link.
136 pages **Order code T16** **£3.45**

**TEACH-IN No. 7. Plus Free Software
ANALOGUE AND DIGITAL
ELECTRONICS COURSE** **NEW**

(Published by *Everyday with Practical Electronics*) Alan Winstanley and Keith Dye B.Eng(Tech)AMIEE The highly acclaimed *Teach-In '92* series, which included the construction and use of the *Mini Lab* and *Micro Lab* test and development units, has been put together in book form. Additionally EPT Educational Software have developed a GCSE Electronics software program to complement the course and a FREE DISC covering the first two parts of the course is included with the book.

An interesting and thorough tutorial series aimed specifically at the novice or complete beginner in electronics. The series is designed to support those undertaking either GCSE Electronics or GCE Advanced Levels, and starts with fundamental principles.

If you are taking electronics or technology at school or college, this book is for you. If you just want to learn the basics of electronics then this book is for you. If you are teaching electronics or technology you must make sure you see it. *Teach-In No. 7* will be invaluable if you are considering a career in electronics or even if you are already training in one. The *Mini Lab* and software enable the construction and testing of both demonstration and development circuits. These learning aids bring electronics to life in an enjoyable and interesting way; you will both see and hear the electron in action! The *Micro Lab* microprocessor add-on system will appeal to higher level students and those developing microprocessor projects.

Available at the end of October '94.
160 pages (A4 size) **Order code T17** **£3.95**

ELECTRONIC PROJECTS BOOK 1
Published by *Everyday Electronics* in association with Magenta Electronics.

Contains twenty of the best projects from previous issues of EE each backed with a kit of components. The projects are: Seashell Sea Synthesiser, EE Treasure Hunter, Mini Strobe, Digital Capacitance Meter, Three Channel Sound to Light, BBC 16K sideways Ram, Simple Short Wave Radio, Insulation Tester, Stapper Motor interface, Eprom Eraser, 200MHz Digital Frequency Meter, Infra Red Alarm EE Equaliser Isoliser, Bat Detector, Acoustic Probe, Mastermeter and Fuse Finder, Light Rider - (Lapel Badge, Disco Lights, Chaser Light), Musical Doorbell, Function Generator, Tilt Alarm, 10W Audio Amplifier, EE Buccaneer Induction Balance Metal Detector, BBC Midi Interface, Variable Bench Power Supply, Pet Scarer, Audio Signal Generator.
128 pages (A4 size) **Order code EP1** **£2.45**

DIRECT BOOK SERVICE

The books listed have been selected by *Everyday with Practical Electronics* editorial staff as being of special interest to everyone involved in electronics and computing. They are supplied by mail order direct to your door. Full ordering details are given on the last book page. For another selection of books see next month's issue

TESTING, THEORY AND REFERENCE

**PRACTICAL ELECTRONICS HANDBOOK -
Third Edition**
Ian Sinclair

A completely updated and revised third edition of this popular title. It still contains a carefully selected collection of standard circuits, rules-of-thumb, and design data for professional engineers, students and enthusiasts involved in radio and electronics, but is now over one hundred pages bigger.

The book covers many areas not available elsewhere in such a handy volume, and this new edition now includes chapters on: **Microprocessors and microprocessor systems:** The instruction register, Clocking, Memory, Read-write memory, The buses, Reading and writing actions, Three-state control, The control bus, Timing and bus control, The PC register and addressing, Addressing methods, Interrupts, Inputs and outputs, Port, Keyboard interfacing, Video interfacing, **Digital-analogue conversions:** Analogue-to-digital conversion, Sampling and conversion, Digital-to-analogue conversion, Current addition methods, Conversion problems, Bitstream methods, Computer plug-in boards, **Computer aids in electronics:** The computer, Linear circuit analysis by computer, The menus, Circuits and nodes, PCB layouts, Circuit diagrams, The Public Domain Software Library, **Hardware components and practical work:** Hardware, Video connectors, Control knobs and switches, Switches, Cabinets and cases, Packages for semiconductors, Integrated circuit packages, Constructing circuits, Surface mounting, testing and trouble-shooting, Practical work on microprocessing equipment, Instruments for digital servicing work, Logic analysers.

Other chapters cover Passive Components, Active Discrete Components, Discrete Component Circuits, Linear ICs, Digital ICs, Transferring Digital Data and Computer Aids in Electronics
338 pages **Order code NE19** **£14.95**

MORE ADVANCED USES OF THE MULTIMETER
R. A. Penfold

This book is primarily intended as a follow-up to BP239, (see above), and should also be of value to anyone who already understands the basics of voltage testing and simple component testing. By using the techniques described in chapter 1 you can test and analyse the performance of a range of components with just a multimeter (plus a very few inexpensive components in some cases). Some useful quick check methods are also covered.

While a multimeter is supremely versatile, it does have its limitations. The simple add-ons described in chapter 2 extended the capabilities of a multimeter to make it even more useful.
84 pages **Order code BP265** **£2.95**

ELECTRONIC TEST EQUIPMENT HANDBOOK
Steve Monev

The principles of operation of the various types of test instrument are explained in simple terms with a minimum of mathematical analysis. The book covers analogue and digital meters, bridges, oscilloscopes, signal generators, counters, timers and frequency measurement. The practical uses of the instruments are also examined.

Everything from Audio oscillators, through R, C & L measurements (and a whole lot more) to Waveform Generators and testing Zeners.
206 pages **Order code PCT09** **£8.95**

A REFERENCE GUIDE TO BASIC ELECTRONICS TERMS
F. A. Wilson

The wonders of electronics multiply unceasingly and electronic devices are creeping relentlessly into all walks of modern life. As with most professions, ours too has a language of its own, ever expanding and now encompassing several thousands of terms. This book picks out and explains some of the more important fundamental terms (over 700), making the explanations as easy to understand as can be expected of a complicated subject and avoiding high-level mathematics.

Through its system of references, each term is backed up by a list of other relevant or more fundamental terms so that a chosen subject can be studied to any depth required.
472 pages **Order code BP286** **£5.95**

GETTING THE MOST FROM YOUR MULTIMETER
R. A. Penfold

This book is primarily aimed at beginners and those of limited experience of electronics. Chapter 1 covers the basics of analogue and digital multimeters, discussing the relative merits and the limitations of the two types. In Chapter 2 various methods of component checking are described, including tests for transistors, thyristors, resistors, capacitors and diodes. Circuit testing is covered in Chapter 3, with subjects such as voltage, current and continuity checks being discussed.

In the main little or no previous knowledge or experience is

assumed. Using these simple component and circuit testing techniques the reader should be able to confidently tackle servicing of most electronic projects.
96 pages **Order code BP239** **£2.95**

ELECTRONICS-BUILD AND LEARN
R. A. Penfold

The first chapter gives full constructional details of a circuit demonstrator unit that is used in subsequent chapters to introduce common electronic components - resistors, capacitors, transformers, diodes, transistors, thyristors, fets and op amps. Later chapters go on to describe how these components are built up into useful circuits, oscillators, multivibrators, bistables and logic circuits.

At every stage in the book there are practical tests and experiments that you can carry out on the demonstrator unit to investigate the points described and to help you understand the principles involved. You will soon be able to go on to more complex circuits and tackle fault finding logically in other circuits you build.
120 pages **Order code PCT13** **£6.95**

PRACTICAL ELECTRONICS CALCULATIONS AND FORMULAE
F. A. Wilson, C.G.I.A., C.Eng., F.I.E.E., F.I.E.R.E., F.B.I.M.

Bridges the gap between complicated technical theory, and "cut-and-try" methods which may bring success in design but leave the experimenter unfulfilled. A strong practical bias - tedious and higher mathematics have been avoided where possible and many tables have been included.

The book is divided into six basic sections: Units and Constants, Direct-current Circuits, Passive Components, Alternating-current Circuits, Networks and Theorems, Measurements.
256 pages **Order code BP53** **£3.95**

NEWNES ELECTRONICS TOOLKIT
Geoff Phillips

The author has used his 30 years experience in industry to draw together the basic information that is constantly demanded. Facts, formulae, data and charts are presented to help the engineer when designing, developing, evaluating, fault finding and repairing electronic circuits. The result is this handy workmate volume: a memory aid, tutor and reference source which is recommended to all electronics engineers, students and technicians.

Have you ever wished for a concise and comprehensive guide to electronics concepts and rules of thumb? Have you ever been unable to source a component, or choose between two alternatives for a particular application? How much time do you spend searching for basic facts or manufacturer's specifications? This book is the answer, it covers resistors, capacitors inductors, semiconductors, logic circuits, EMC, audio, electronics and music, telephone, electronics in lighting, thermal considerations, connections, reference data.
158 pages **Order code NE20** **£12.95**

COMPUTING

INTERFACING PCs AND COMPATIBLES

R. A. Penfold

Once you know how, PC interfacing is less involved than interfacing many eight-bit machines, which have tended to use some unusual interfacing methods.

This book gives you: A detailed description of the lines present on the PC expansion bus. A detailed discussion of the physical characteristics of PC expansion cards. The I/O map and details of the areas where your add-on card can be fitted. A discussion of address decoding techniques. Practical address decoder circuits. Simple TTL 8-bit input and output ports. Details of using the 8255 parallel interface adaptor. Digital to analogue converter circuits. Analogue to digital converter circuits. In fact everything you need to know in order to produce successful PC add-ons.

80 pages

Order code B272 £3.95

HOW TO CHOOSE A SMALL BUSINESS COMPUTER SYSTEM

D. Weale

This book is for anyone intending to buy an IBM compatible computer system, whether it is their first system or a replacement. There are sections on hardware, application and systems programs, and how to actually make your choice as well as sections on the law, ergonomics and a glossary or common terms. The text contains many useful tips and some warnings (which could save much effort and expense). After having read this book you should have a better idea of what is suitable for your needs, how to obtain it and how to ensure that the system is operated with the minimum of difficulty.

144 pages

Order code BP323 £4.95

HOW TO EXPAND, MODERNISE AND REPAIR PCs AND COMPATIBLES (Revised Edition)

R. A. Penfold

Not only are PC and compatible computers very expandable, but before long most users actually wish to take advantage of that expandability and start upgrading their PC systems. Some aspects of PC upgrading can be a bit confusing, but this book provides advice and guidance on the popular forms of internal PC expansion, and should help to make things reasonably straightforward and painless. Little knowledge of computing is assumed. The only assumption is that you can operate a standard PC of some kind (PC, PC XT, PC AT, or a 80386 based PC).

The subjects covered include: PC overview; Memory upgrades; Adding a hard disk drive; Adding a floppy disk drive; Display adaptors and monitors; Fitting a maths co-processor; Keyboards; Ports; Mice and digitisers;

Maintenance (including preventative maintenance) and Repairs, and the increasingly popular subject of d.i.y. PCs.

156 pages

Order code 5P271 £5.95

The PRE-BASIC BOOK

F. A. Wilson, C.G.I.A., C.ENG., F.I.E.E., F.I.E.R.E., F.B.I.M.

Another book on BASIC but with a difference. This one does not skip through the whole of the subject and thereby leave many would-be programmers floundering but instead concentrates on introducing the technique by looking in depth at the most frequently used and more easily understood computer instructions. For all new and potential micro users.

192 pages

Order code BPT46 £2.95

AN INTRODUCTION TO 6502 MACHINE CODE

R. A. & J. W. Penfold

No previous knowledge of microprocessors or machine code is assumed. Topics covered are: assembly language and assemblers, the register set and memory, binary and hexadecimal numbering systems, addressing modes and the instruction set, and also mixing machine code with BASIC. Some simple programming examples are given for 6502-based home computers like the VIC-20, ORIC-1/Atmos, Electron, BBC and also the Commodore 64.

112 pages

Order code BPT47 £2.95

A CONCISE USER'S GUIDE TO WINDOWS 3.1

N. Kantonis

If you are a PC user and want to get to grips with Microsoft's Windows 3.1, then this book will teach you how to do just that in the shortest and most effective way.

The book is written with the non-expert, busy person in mind, and as such, it has an underlying structure based on "what you need to know first, appears first". However, the more experienced user can start from any section, as the sections are self contained.

The book explains: what hardware requirements you need in order to run Windows 3.1 successfully, and how to install, customise and fine-tune the program, and how to optimise your system resources. How to manipulate Windows screens and how to run Windows and DOS applications under the Windows Graphical User Interface (GUI) environment. How to use the Windows triple Management system; Program Manager, File Manager and Print Manager to

advantage. How to use the word processor accessory Write to type, edit, format, print and save documents.

How to use Paintbrush and its tools to draw and edit drawings, and how to set up, sort and search a Cardfile database and exploit its autodial feature. How to use the Windows Calendar to enter appointments, add special times and alarms. How to use the Terminal accessory to connect to remote systems, specify terminal emulation preferences, communications setting, telephone number and prepare files for transfer. How to use the Notepad, Macro Recorder, PIF Editor and Calculator.

138 pages

Order code BP325 £4.95

SERVICING PERSONAL COMPUTERS - 3rd EDITION

Mike Tooley BA

The revised and enlarged third edition contains a new chapter on servicing 68,000 based microcomputers. It has been updated throughout and includes many new photos and diagrams. It is essential for anyone concerned with the maintenance of personal computer equipment or peripherals, whether professional service technician, student or enthusiast.

240 pages

Order code NE15 £25

A CONCISE USER'S GUIDE TO MS-DOS 5

N. Kantonis

If you are a PC user and want to get the most out of your computer in terms of efficiency and productivity, then you must learn the intricacies of its MS-DOS operating system. With this book you will learn to do just that in the shortest and most effective way.

The book explains: The enhancements to be found in MS-DOS version 5, over previous versions of the operating system. How the DOS operating system is structured so that you can understand what happens when you first switch on your computer. How directories and subdirectories can be employed to structure your hard disc for maximum efficiency. How to use the DOS Shell program (a menu-driven graphical interface) to perform various house-keeping operations on your disc. How to manage disc files, and how to use the MS-DOS Editor to fully configure your system by writing your own CONFIG.SYS and AUTOEXEC.BAT files. How to optimise your system by either increasing its conventional memory or increasing its speed. How to write batch files to automate the operation of your system.

A summary of all DOS commands, illustrated with examples, is given in the penultimate chapter, which turns it into a useful reference guide.

124 pages

Order code B2713 £4.95

CIRCUITS AND DESIGN

REMOTE CONTROL HANDBOOK (Revised Edition)

Owen Bishop

Remote control systems lend themselves to a modular approach. This makes it possible for a wide range of systems, from the simplest to the most complex, to be built up from a number of relatively simple modules. The author has tried to ensure that, as far as possible, the circuit modules in this book are compatible with one another. They can be linked together in many different configurations to produce remote control systems tailored to switch a table lamp on and off, or to operate an industrial robot, this book should provide the circuit you require.

240 pages

Order code B2240 £4.95

COIL DESIGN AND CONSTRUCTION MANUAL

B. B. Babani

A complete book for the home constructor on "how to make" RF, IF, audio and power coils, chokes and transformers. Practically every possible type is discussed and calculations necessary are given and explained in detail. Although this book is now rather old, with the exception of torroids and pulse transformers little has changed in coil design since it was written.

96 pages

Order code 160 £2.50

30 SOLDERLESS BREADBOARD PROJECTS - BOOK 1

R. A. Penfold

Each project, which is designed to be built on a "Verobloc" breadboard, is presented in a similar fashion with a brief circuit description, circuit diagram, component layout diagram, components list and notes on construction and use where necessary. Whenever possible, the components used are common to several projects, hence with only a modest number of reasonably inexpensive components, it is possible to build in turn, every project shown. Recommended by BICC-Verobloc.

160 pages

Order code 6P107 £2.95

AUDIO IC CIRCUITS MANUAL

R. M. Marston

A vast range of audio and audio-associated i.c.s. are readily available for use by amateur and professional design engineers and technicians. This manual is a guide to the most popular and useful of these devices, with over 240 diagrams. It deals with i.c.s. such as low frequency linear amplifiers, dual pre-amplifiers, audio power amplifiers, charge coupled device delay lines, bar-graph display drivers, and power supply regulators, and shows how to use these devices in circuits ranging from simple signal conditioners and filters to complex graphic equalizers, stereo amplifier systems, and echo/reverb delay line systems etc.

168 pages

Order code NE13 £13.95

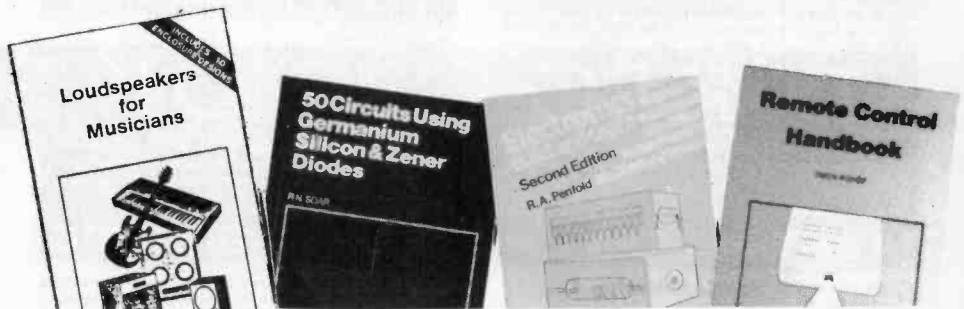
50 CIRCUITS USING GERMANIUM SILICON AND ZENER DIODES

R. N. Soar

Contains 50 interesting and useful circuits and applications, covering many different branches of electronics, using one of the most simple and inexpensive of components - the diode. Includes the use of germanium and silicon signal diodes, silicon rectifier diodes and Zener diodes, etc.

64 pages

Order code BP36 £1.95



A BEGINNERS GUIDE TO CMOS DIGITAL ICs

R. A. Penfold

Getting started with logic circuits can be difficult, since many of the fundamental concepts of digital design tend to seem rather abstract, and remote from obviously useful applications. This book covers the basic theory of digital electronics and the use of CMOS integrated circuits, but does not lose sight of the fact that digital electronics has numerous "real world" applications.

The topics covered in this book include: the basic concepts of logic circuits; the functions of gates, inverters and other logic "building blocks"; CMOS logic i.c. characteristics, and their advantages in practical circuit design; oscillators and monostables (timers); flip/flops, binary dividers and binary counters; decade counters and display drivers.

The emphasis is on a practical treatment of the subject, and all the circuits are based on "real" CMOS devices. A number of the circuits demonstrate the use of CMOS logic i.c.s in practical applications.

119 pages

Order code 6P333 £4.95

OPTOELECTRONICS CIRCUITS MANUAL

R. M. Marston

A useful single-volume guide to the optoelectronics device user, specifically aimed at the practical design engineer, technician, and the experimenter, as well as the electronics student and amateur. It deals with the subject in an easy-to-read, down-to-earth, and non-mathematical yet comprehensive manner, explaining the basic principles and characteristics of the best known devices, and presenting the reader with many practical applications and over 200 circuits. Most of the i.c.s. and other devices used are inexpensive and readily available types, with universally recognised type numbers.

182 pages

Order code NE14 £13.95

OPERATIONAL AMPLIFIER USER'S HANDBOOK

R. A. Penfold

The first part of this book covers standard operational amplifier based "building blocks" (integrator, precision rectifier, function generator, amplifiers, etc), and considers the ways in which modern devices can be used to give superior performance in each one. The second part describes a number of practical circuits that exploit

modern operational amplifiers, such as high slew-rate, ultra low noise, and low input offset devices. The projects include: Low noise tape preamplifier, low noise RIAA preamplifier, audio power amplifiers, d.c. power controllers, opto-isolator audio link, audio millivolt meter, temperature monitor, low distortion audio signal generator, simple video fader, and many more.

120 pages

Order code B2335 £4.95

CMOS CIRCUITS MANUAL

R. M. Marston

Written for the professional engineer, student or enthusiast. It describes the basic principles and characteristics of these devices and includes over 200 circuits.

All the circuits have been designed, built and fully evaluated by the author; all use inexpensive and internationally available devices.

187 pages

Order code NE12 £13.95

TIMER/GENERATOR CIRCUITS MANUAL

R. M. Marston

This manual is concerned mainly with waveform generator techniques and circuits. Waveform generators are used somewhere or other in most types of electronic equipment, and thus form one of the most widely used classes of circuit. They may be designed to produce outputs with sine, square, triangle, ramp, pulse, staircase, or a variety of other forms. The generators may produce modulated or unmodulated outputs, and the outputs may be of single or multiple form.

Waveform generator circuits may be built using transistors, op-amps, standard digital ICs, or dedicated waveform or "function" generator ICs.

The manual is divided into eleven chapters, and presents over 300 practical circuits, diagrams and tables. The subjects covered include: Basic principles; Sine wave generators; Square wave generators; Pulse generator circuits; "Timer IC" generator circuits; Triangle and sawtooth generators; Multi-waveform generation; Waveform synthesizer ICs; Special waveform generators; Phaselocked loop circuits; Miscellaneous "555" circuits.

267 pages

Order code NE18 £13.95

PROJECT CONSTRUCTION

POPULAR ELECTRONIC PROJECTS

R. A. Penfold

Included in this book are a collection of the most popular types of projects which, we feel sure, will provide many designs to interest all electronics enthusiasts. All the circuits utilise modern, inexpensive and freely available components. The 27 projects selected cover a very wide range and are divided into four basic areas: Radio Projects, Audio Projects, Household Projects and Test Instruments. An interesting addition to the library of both the beginner and more advanced constructor.

135 pages

Order code BP49

£2.50

TEST EQUIPMENT CONSTRUCTION

R. A. Penfold

This book describes in detail how to construct some simple and inexpensive but extremely useful, pieces of test equipment. Stripboard layouts are provided for all designs, together with wiring diagrams where appropriate, plus notes on construction and use.

The following designs are included:- AF Generator, Capacitance Meter, Test Bench Amplifier, AF Frequency Meter, Audio Millivoltmeter, Analogue Probe, High Resistance Voltmeter, CMOS Probe, Transistor Tester, TTL Probe.

The designs are suitable for both newcomers and more experienced hobbyists.

104 pages

Order code BP248

£2.95

HOW TO DESIGN AND MAKE YOUR OWN P.C.B.s

R. A. Penfold

Deals with the simple methods of copying printed circuit board designs from magazines and books and covers all aspects of simple p.c.b. construction including photographic methods and designing your own p.c.b.s.

80 pages

Order code BP121

£2.50

HOW TO GET YOUR ELECTRONIC PROJECTS WORKING

R. A. Penfold

We have all built projects only to find that they did not work correctly, or at all, when first switched on. The aim of this

book is to help the reader overcome just these problems by indicating how and where to start looking for many of the common faults that can occur when building up projects.

96 pages

Order code BP110

£2.95

AUDIO AMPLIFIER CONSTRUCTION

R. A. Penfold

The purpose of this book is to provide the reader with a wide range of preamplifier and power amplifier designs that will, it is hoped, cover most normal requirements.

The preamplifier circuits include low noise microphone and RIAA types, a tape head preamplifier, a guitar preamplifier and various tone controls. The power amplifier designs range from low power battery operation to 100W MOSFET types and also include a 12 volt bridge amplifier capable of giving up to 18W output.

All the circuits are relatively easy to construct using the p.c.b. or stripboard designs given. Where necessary any setting-up procedures are described, but in most cases no setting-up or test gear is required in order to successfully complete the project.

100 pages

Order code BP122

£2.95

BEGINNER'S GUIDE TO BUILDING ELECTRONICS PROJECTS

R. A. Penfold

Shows the complete beginner how to tackle the practical side of electronics, so that he or she can confidently build the electronic projects that are regularly featured in magazines and books. Also includes examples in the form of simple projects.

112 pages

Order code 227

£1.95

AUDIO AND MUSIC

LOUDSPEAKERS FOR MUSICIANS

Vivian Capel

This book contains all that a working musician needs to know about loudspeakers: the different types, how they work, the most suitable for different instruments, for cabaret work, and for vocals. It gives tips on constructing cabinets, wiring up, when and where to use wadding, and when not to, what fittings are available, finishing, how to ensure they travel well, how to connect multi-speaker arrays and much more.

Ten practical enclosure designs with plans and comments are given in the last chapter, but by the time you've read that far you should be able to design your own!

164 pages

Order code BP297

£3.95

MAKE MONEY FROM HOME RECORDING

Clive Brooks

Now that you've spent a fortune on all that recording gear, MIDI and all, wouldn't it be nice to get some of it back? Well here's the book to show you how.

It's packed with money making ideas, any one of which will recoup the price of the book many times over. Whether you have a fully fledged recording studio at home, or just a couple of stereo cassette recorders and a microphone, you'll be able to put the ideas in this book into practice and make money.

105 pages

Order code PC104

£6.95

INTRODUCTION TO DIGITAL AUDIO

(Second Edition)

Ian Sinclair

Digital recording methods have existed for many years and have become familiar to the professional recording engineer, but the compact disc (CD) was the first device to bring digital audio methods into the home. The next step is the appearance of digital audio tape (DAT) equipment.

All this development has involved methods and circuits that are totally alien to the technician or keen amateur who has previously worked with audio circuits. The principles and practices of digital audio owe little or nothing to the traditional linear circuits of the past, and are much more comprehensible to today's computer engineer than the older generation of audio engineers.

This book is intended to bridge the gap of understanding for the technician and enthusiast. The principles and methods are explained, but the mathematical background and theory is avoided, other than to state the end product.

128 pages

Order code PC102

£7.95

MIDI SURVIVAL GUIDE

Vic Lennard

Whether you're a beginner or a seasoned pro, the MIDI Survival Guide shows you the way. No maths, no MIDI theory, just practical advice on starting up, setting up and ending up with a working MIDI system.

Over 40 cabling diagrams. Connect synths, sound modules, sequencers, drum machines and multitracks. How to budget and buy secondhand. Using switch, thru and merger boxes. Transfer songs between different sequencers. Get the best out of General MIDI. Understand MIDI implementation charts. No MIDI theory

104 pages

Order code PC111

£6.95

AUDIO

F. A. Wilson, C. G. I. A., C. Eng., F.I.E.E., F.I.E.R.E., F.B.I.M.

Analysis of the sound wave and an explanation of acoustic quantities prepare the way. These are followed by a study of the mechanism of hearing and examination of the various sounds we hear. A look at room acoustics with a subsequent chapter on microphones and loudspeakers then sets the scene for the main chapter on audio systems - amplifiers, oscillators, disc and magnetic recording and electronic music.

320 pages

Order code BP111

£3.95

PRACTICAL ELECTRONIC MUSICAL EFFECTS UNITS

R. A. Penfold

This book provides practical circuits for a number of electronic musical effects units. All can be built at relatively low cost, and use standard, readily available components. The projects covered include: Waa-Waa Units Distortion Units; Phaser; Guitar Envelope Shaper; Compressor; Tremolo Unit; Metal Effects Unit; Bass and Treble Boosters; Graphic Equaliser; Parametric Equaliser. The projects cover a range of complexities, but most are well within the capabilities of the average electronics hobbyist. None of them require the use of test equipment and several are suitable for near beginners.

102 pages

Order code BP368

£4.95

DATA

PRACTICAL ELECTRONIC DESIGN DATA

Owen Bishop

This book is a comprehensive ready-reference manual for electronics enthusiasts of all levels, be they hobbyists, students or professionals. A helpful major section covers the main kinds of component, including surface-mounted devices. For each sort, it lists the most useful and readily available types, complete with details of their electronic characteristics, pin-outs and other essential information.

Basic electronic units are defined, backed up by a compendium of the most often required formulae, fully explained. There are five more extensive sections devoted to circuit design, covering analogue, digital, radio, display, and power supply circuits. Over 150 practical circuit diagrams cover a broad range of functions. The reader is shown how to adapt these basic designs to a variety of applications. Many of the circuit descriptions include step-by-step instructions for using most of the standard types of integrated circuit such as operational amplifiers, comparators, filters, voltage converters and switched-mode power supply devices, as well as the principal logic circuits.

328 pages

Order code BP275

£4.95

INTERNATIONAL TRANSISTOR EQUIVALENTS GUIDE

A. Michaëls

Helps the reader to find possible substitutes for a popular selection of European, American and Japanese transistors. Also shows material type, polarity, manufacturer and use.

320 pages

Order code BP85

£3.95

RADIO/TV

SETTING UP AN AMATEUR RADIO STATION

I. D. Poole

The aim of this book is to give guidance on the decisions which have to be made when setting up any amateur radio or short wave listening station. Often the experience which is needed is learned by one's mistakes, however, this can be expensive. To help overcome this, guidance is given on many aspects of setting up and running an efficient station. It then proceeds to the steps that need to be taken in gaining a full transmitting licence.

Topics covered include: The equipment that is needed; Setting up the shack; Which aerials to use; Methods of construction; Preparing for the licence.

An essential addition to the library of all those taking their first steps in amateur radio

86 pages

Order code BP300

£3.95

EXPERIMENTAL ANTENNA TOPICS

H. C. Wright

Although nearly a century has passed since Marconi's first demonstration of radio communication, there is still research and experiment to be carried out in the field of antenna design and behaviour.

The aim of the experimenter will be to make a measurement or confirm a principle, and this can be done with relatively fragile, short-life apparatus. Because of this, devices described in this book make liberal use of cardboard, cooking foil, plastic bottles, cat food tins, etc. These materials are, in general, cheap to obtain and easily worked with simple tools, encouraging the trial-and-error philosophy which leads to innovation and discovery.

Although primarily a practical book with text closely supported by diagrams, some formulae which can be used by straightforward substitution and some simple graphs have also been included.

72 pages

Order code BP275

£3.50

NEWNES SHORTWAVE LISTENING HANDBOOK

Joe Pritchard G1UWQ

Part One covers the "science" side of the subject, going from a few simple electrical "first principles", through a brief treatment of radio transmission methods to simple receivers. The emphasis is on practical receiver designs and how to build and modify them, with several circuits in the book.

Part Two covers the use of sets, what can be heard, the various bands, propagation, identification of stations, sources of information, QSLing of stations and listening to amateurs. Some computer techniques, such as computer Morse decoding and radio teletype decoding are also covered.

224 pages

Order code NP16

£15.95

DIRECT BOOK SERVICE ORDERING DETAILS

Please state the title and order code clearly, print your name and address and add the required postage to the total order.

Add £1 to your total order for postage and packing (overseas readers add £2 for countries in Europe, or add £5 for all countries outside Europe, surface mail postage) and send a PO, cheque, international money order (£ sterling only) made payable to Direct Book Service or credit card details (including card expiry date), Visa or Mastercard (Access) - minimum credit card order is

£5 - quoting your name and address, the order code and quantities required to DIRECT BOOK SERVICE, 33 GRAVEL HILL, WIMBORNE, DORSET BH21 1RW (mail order only).

Although books are normally sent within seven days of receipt of your order, please allow a maximum of 28 days for delivery. Overseas readers allow extra time for surface mail post.

Please check price and availability (see latest issue of *Everyday with Practical Electronics*) before ordering from old lists.

For a further selection of books see next month's issue

DIRECT BOOK SERVICE IS A DIVISION OF WIMBORNE PUBLISHING LTD.

BABANI BOOKS

We now supply *all* the books published by Bernard Babani (Publishing) Ltd. We have always supplied a selected list of Babani books and you will find many of them described on the previous pages or in next months issue of *Everyday with Practical Electronics* (the books with a BP prefix to the order code are Babani books).

Many readers have asked us to also supply various other Babani books, which have a reputation for value for money. Our customers tell us they appreciate our speedy service and low postage charge and they

would like to be able to purchase all the books from us and thus keep the postage charge to an absolute minimum (£1 for UK p&p no matter how many books you buy). We are pleased to be able to respond; with the aid of Michael Babani (M.D.) we are now able to meet all your requirements for their books. *If it's Babani and in print we can supply it.* Babani presently list over 160 different technical titles those *not* described in detail on the previous *Direct Book Service* pages or in next months issue are listed below:

Code	Title	Price	Code	Title	Price	Code	Title	Price
BP37	50 Projects using Relays, SCRs and TRIACS	£2.95	BP246	Musical Applications of the Atari ST's	£5.95	BP301	Antennas for VHF and UHF	£4.95
BP39	50 (FET) Field Effect Transistor Projects	£2.95	BP247	More Advanced MIDI Projects	£3.95	BP303	Understanding PC Software	£4.95
BP44	IC 555 Projects	£2.95	BP249	More Advanced Test Equipment Construction	£3.50	BP305	Learning CAD with AutoSketch for Windows	£5.95
BP48	Electronic Projects for Beginners	£1.95	BP250	Programming in FORTRAN 77	£4.95	BP306	A Concise Introduction to AmiPro 3	£4.95
BP49	Popular Electronic Projects	£2.50	BP251	Computer Hobbyists Handbook	£5.95	BP307	A Concise Introduction to QuarkXPress	£4.95
BP56	Electronic Security Devices	£2.95	BP258	Learning to Program in C (revised edition)	£4.95	BP308	A Concise Introduction to Word 5.1 on the Macintosh	£5.95
BP74	Electronic Music Projects	£2.95	BP259	A Concise Introduction to UNIX	£2.95	BP311	An Introduction to Scanners and Scanning	£4.95
BP76	Power Supply Projects	£2.50	BP260	A Concise Introduction to OS/2	£2.95	BP312	An Introduction to Microwaves	£3.95
BP78	Practical Computer Experiments	£1.75	BP261	A Concise Introduction to Lotus 1-2-3 (Revised Edition)	£3.95	BP313	A Concise Introduction to Sage	£3.95
BP84	Digital IC Projects	£1.95	BP262	A Concise Introduction to Wordperfect (Revised Edition)	£3.95	BP314	A Concise Introduction to Quattro Pro 3.0	£4.95
BP90	Audio Projects	£2.50	BP264	A Concise Advanced User's Guide to MS-DOS (revised edition - covers Version 6.2)	£4.95	BP315	An Introduction to the Electromagnetic Wave	£4.95
BP94	Electronic Projects for Cars and Boats	£1.95	BP269	An Introduction to Desktop Publishing	£5.95	BP320	Electronic Projects for Your PC	£3.95
BP95	Model Railway Projects	£2.95	BP272	Interfacing PC's & Compatibles	£3.95	BP322	Circuits Source Book 2	£4.95
BP122	Audio Amplifier Construction	£2.95	BP273	Practical Electronic Sensors	£4.95	BP324	The Art of Soldering	£3.95
BP125	25 Simple Amateur Band Aerials	£1.95	BP274	A Concise Introduction to SuperCalc5	£4.95	BP326	An Introduction to Satellite Communications	£5.95
BP126	BASIC & PASCAL in Parallel	£1.50	BP276	Short Wave Superhet Receiver Construction	£2.95	BP327	DOS One Step at a Time (covers Version 6.2)	£3.95
BP132	25 Simple SW Broadcast Band Aerials	£1.95	BP280	Getting the Most From Your PC's Hard Disc	£3.95	BP328	Sage Explained	£5.95
BP136	25 Simple Indoor and Window Aerials	£1.75	BP283	A Concise Introduction to SmartWare II	£4.95	BP330	A Concise user's Guide to Lotus 1-2-3 Release 2.4	£4.95
BP144	Further Practical Electronics Calculations & Formulae	£4.95	BP284	Programming in QuickBASIC	£4.95	BP331	A Beginners Guide to MIDI	£4.95
BP145	25 Simple Tropical and MW Band Aerials	£1.75	BP287	A Reference Guide to Practical Electronics Terms	£5.95	BP334	Magic Electronics Projects	£4.95
BP148	Computer Terminology Explained	£1.95	BP291	A Concise Introduction to Ventura	£3.95	BP336	A Concise Users Guide to Lotus 1-2-3 Release 3.4	£5.95
BP171	Easy Add-on Projects for Amstrad CPC 464, 664, 6128 and MSX Computers	£2.95	BP292	Public Address Loudspeaker Systems	£3.95	BP337	A Concise Users Guide to Lotus 1-2-3 for Windows	£5.95
BP176	A TV-DXers handbook (revised edition)	£2.95	BP293	An Introduction to Radio Wave Propagation	£3.95	BP338	A Concise Introduction to Word for Windows	£5.95
BP182	MIDI Projects	£2.95	BP294	A Concise Introduction to Microsoft Works (revised edition)	£4.95	BP339	A Concise Introduction to WordPerfect 5.2 for Windows	£5.95
BP190	More Advanced Electronic Security Projects	£2.95	BP298	A Concise Introduction to the Mac System & Finder	£3.95	BP343	A Concise Introduction to Microsoft Works for Windows	£5.95
BP192	More Advanced Power Supply Projects	£2.95	<p>IF NO PRICE IS SHOWN THE BOOK IS OUT OF PRINT (O.O.P.) SEE PREVIOUS PAGE FOR FULL ORDERING DETAILS</p>					
BP193	LOGO for Beginners	£2.95						
BP196	BASIC & LOGO in Parallel	£2.95						
BP198	An Introduction to Antenna Theory	£2.95						
BP230	A Concise Introduction to GEM	£2.95						
BP243	BBC BASIC86 on the Amstrad PC's and IBM Compatibles - Book 1: Language	£3.95						
BP244	BBC BASIC86 on the Amstrad PC's and IBM Compatibles - Book 2: Graphics and Disk Files	£3.95						
BP245	Digital Audio Projects	£2.95						

PCB SERVICE

Printed circuit boards for certain EPE constructional projects are available from the PCB Service, see list. These are fabricated in glass fibre, and are fully drilled and roller tinned. All prices include VAT and postage and packing. Add £1 per board for airmail outside of Europe. Remittances should be sent to The PCB Service, *Everyday with Practical Electronics*, Allen House, East Borough, Wimborne, Dorset BH21 1PF. Cheques should be crossed and made payable to *Everyday with Practical Electronics* (Payment in £ sterling only).

NOTE: While 95% of our boards are now held in stock and are dispatched within seven days of receipt of order, please allow a maximum of 28 days for delivery - overseas readers allow extra if ordered by surface mail.

Back numbers or photostats of articles are available if required - see the Editorial page for details.

Please check price and availability in the latest issue.

Boards can only be supplied on a payment with order basis.

SALE! All p.c.b.s on THIS page reduced to **1/2 PRICE**

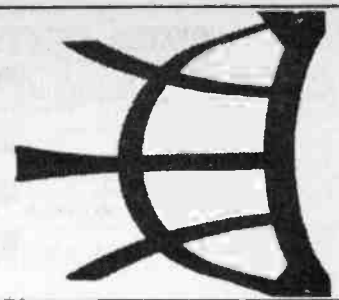
(Just send half the price shown, while stocks last.)
PCBS ON OPPOSITE PAGE PRICES AS SHOWN

PROJECT TITLE	Order Code	Cost
Suntan Timer	610	£3.07
Car Alarm	615	£3.12
Eprom Eraser	620	£4.07
Doorbell Delay	616	£3.56
Sound-to-Light Interface	637	£6.24
Midi Pedal	639	£7.00
Midi Merge	640	£3.00
Audio Lead Tester	641	£5.77
Light Sentinel: Main Board	632	£9.20
4-Channel Auto-Fader Interface	642	£6.80
Electronic Spirit Level	649	£3.85
Distance Recorder	651	£5.23
Music on Hold	646	£3.85
Power Supplies - 25V 700mA	656	£4.35
Wash Pro	643	£3.83
Logo/lego & Sepctrum Interface	664	£5.60

PROJECT TITLE	Order Code	Cost
Quick Cap Tester	FEB'90 668	£3.92
Superhet Receiver/Tuner/Amp	MAR'90 679/680	£4.22
Stereo Noise Generator	APR'90 681	£4.24
Amstrad Speech Synthesiser	MAY'90 689	£4.68
The Tester	JUL'90 696	£4.15
Mains Appliance Remote Control Mains ON/OFF Decoder	AUG'90 697	£4.55
Hand Tally: Main Bd and Display Bd	SEP'90 699, 700	£10.95
Ghost Waker	OCT'90 703	£4.32
Frequency Meter	704	£5.25
Freq. Meter/Tachometer	NOV'90 705	£3.98
Microcontroller Light Sequencer	DEC'90 708/709	£10.90
Spatial Power Display	JAN'91 714	£5.33
Amstrad PCW Sound Generator	715	£5.03
Pocket Tone Dialler	MAR'91 729	£4.36
Simple Basic Alarm	731	£4.50
Humidity Tester	APR'91 716	£4.97
Model Train Controller (double-sided)	736	£9.75
Digital LCD Thermostat	MAY'91 740	£4.05
- Control Board	741	£3.76
- Power Relay Board		£5.00
Control and Power Relay Boards together		
Digilogue Car Tachometer	JUN'91 744	£5.63
Modular Disco Lights - Simple Chaser	745	£5.00
Sweeper Module	746	£5.17
Automatic Light Control - PSU Board	747	£4.88
Logic Board	748	£5.17
Mod. Disco Lights	NOV'91 771	£6.91
Superchaser (Double-sided)	772	£8.26
Supersweep (Double-sided)	773	£5.01
Bicycle Alarm		
Knockerbox	DEC'91 775	£5.35
Signal Generator - Main Board	776	£7.46
Mind Machine - Main Board	778	£7.00
Auto Nightlight	779	£5.03
Mind Machine - Programmer Board	JAN'92 780	£7.39
Transistor Checker	781	£4.63
Stepping Motor Driver/Interface	78	£10.39
Micro-Sense Alarm	783	£5.42
Telesound	FEB'92 784	£4.66
Programmable Timer	785	£4.63

REPORTING

AMATEUR RADIO



Tony Smith G4FAI

AMATEUR LICENCE CHANGES

On 18 July 1994, a number of changes were made to the terms and conditions of the Amateur Radio and Amateur Radio (Novice) licences, as follows:

The maximum power level permitted in the whole of the 1.8MHz band (top band) is now the same as that in most other amateur bands, i.e., 26dBW (400W peak envelope power). Until a few years ago, power in this band was limited to 15dBW (32W p.e.p.).

Power levels were then increased but restrictions remained on 1.810MHz to 1.850MHz pending the removal of other services from this sub-band which might otherwise have suffered interference from more powerful amateur transmissions. These services have now been removed and the full amateur power limit is permitted in all parts of the band.

Power restrictions also applied to the 50MHz band, where there were restrictions on the height of antennas and maritime mobile operation was not permitted. The last two restrictions have now been lifted for the whole band, 50MHz to 52MHz, and the full 26dBW may now be used in the frequencies 50MHz to 51MHz.

The list of countries belonging to the CEPT, the European Conference of Postal and Telecommunications Administrations, has been updated to include several Eastern European countries that have now joined CEPT. Not all members take part in the CEPT Amateur Radio Common Licence agreement, but it is hoped that the newcomers will soon adopt the agreement thus extending the opportunities for temporary operation by amateurs in foreign countries with the minimum of formality.

NEW RESTRICTIONS

Although the changes mainly represent improvements for radio amateurs, there are also some newly imposed restrictions. It is now necessary for unattended digital operation to be notified to the local office of the Radio Investigation Service. This follows a number of problems experienced with unattended packet operation, and licensees now have to agree emergency close-down arrangements with the RIS.

A further new requirement relates to the production of information when stations are inspected and the station log is kept on computer. A "hard copy" of the log must be produced on request or a copy of the magnetic media on which the log is kept must be supplied to take away, to be followed by a hard copy as soon as is reasonably practicable thereafter.

SATELLITE PROGRESS REPORT

Last March I wrote about the projected *Phase 3D* amateur satellite. This will provide much better operating facilities for radio amateurs than have been available previously, including longer access

periods, higher power transmitters and higher gain receivers. With an expected life of around 10 to 15 years, the project is designed to bring satellite operation within the reach of many more amateurs, worldwide, who will be able to use relatively simple equipment.

A progress report, in the July 1994 issue of *IARU Region 1 News*, reports that eleven countries around the world are participating in the construction of the satellite and additionally logistical support and assistance for fuel tanks has come from Russia.

The satellite is being built under the leadership of Dr Karl Meinzer, DJ4ZC, of Germany's amateur satellite organisation, AMSAT-DL. As at the date of the report, March 16, 1994, all hardware was under construction and some flight hardware was already finished.

The cost of the satellite is expected to be 3.5M US dollars and \$2.5M has been raised so far, including a contribution of \$50,000 from AMSAT-UK.

There is an urgent need to raise the balance. Fund-raising continues to this end and the International Amateur Radio Union Region 1 has invited all member societies to help finance the project by directly sponsoring parts of the satellite.

The frequencies to be used by the new satellite are 21MHz uplink and 29MHz downlink; 145MHz uplink and downlink; 435MHz uplink and downlink; 1.2GHz uplink; 2.4GHz uplink and downlink; 5.7GHz uplink and downlink; 10.4GHz downlink; and 24GHz downlink.

Several experiments in the field of digital communications are to be included at the same time as the analogue communications modes, CW and SSB. Camera experiments will provide colour pictures of outstanding views and high quality communications are expected due to the 3-axis stabilised spacecraft.

A special control system (LEILA) will provide protection for low power users and keep the satellite receiver as sensitive as possible. The 16-hour specially selected orbit will give radio amateurs all over the world communication possibilities during evening and early morning hours for at least two thirds of the time says the report.

MORSE 2000 CONFERENCE

The University of Wisconsin-Eau Claire, is tentatively planning an intriguing conference to take place in the Spring of 1996. A draft summary of the scope of the conference states (in part):

"Individuals of all ages who have severe motoric and/or sensory disabilities are using newly-developed adapted-access software programs, hardware peripherals, and learning methods that allow them full use of microprocessor devices via Morse input from switches external to the computer. . .

"This alternative computer access method can help bestow the power of

speech output, writing, typing, dialing, graphics, music, and other modes of expression. Also, Morse code input to activate mobility and environmental control devices may open worlds of educational, vocational, and recreational opportunities to many persons previously shut out of these pursuits. . .

"More than 30 manufacturers/-developers of Morse-input hardware or software (for these applications) have been identified to date. However, beyond standard Morse encoding patterns for letters, numbers, and basic punctuation, each manufacturer appears to be developing their own non-standard 'Morse-type' patterns for keyboard functions not addressed in the original code. Some examples of these functions include Shift, Alt, Delete, Enter, and other non-alphanumeric commands/functions found on computers as well as cursor control via mouse or keyboard arrow inputs."

It is felt by the organizers that "a unified, global effort to promote use of, research in, and standardization of Morse code in rehabilitation contexts, as well as in other specialized communication settings appears essential at this time. *Morse 2000* will begin to address these needs."

FURTHER IDEAS SOUGHT

The conference goals therefore, are to: "Develop and maintain an international repository world centre for, and database of research in, Morse code applications in rehabilitation.

"Apply research and clinical findings to establish and promote use of standardized Morse-type entry patterns for all currently-used keyboard functions and mouse emulation.

"Promulgate a standardized methodology of Morse Pattern creation for representing new keyboard functions as they are developed by manufacturers.

"Influence the computer industry to include Morse code access as a standard transparent access alternative built in to all new computers. (Access could be from space bar, shift keys, or from external switches via serial port, etc.)

"Expand Morse literacy and awareness for potential users and the general public globally.

"Continue to research and develop enhanced, efficient methods of learning Morse code for various expressive and receptive communication applications.

"Publish a regular scholarly journal focusing on Morse code research. . ."

At this early stage, the University is looking for additional suggestions and ideas for matters to be considered. Undoubtedly many handicapped radio amateurs who use computers to control their radio activities, or those who have helped in setting up such systems for them, will be interested in the scope of this conference and may be able to contribute further ideas for consideration.

BTEC
Certificated



TUTOR
Supported

NATIONAL
COLLEGE OF
TECHNOLOGY

DISTANCE LEARNING COURSES

The National College of Technology offer a range of packaged learning short courses for study at home or in an industrial training environment which carry national BTEC awards. Study can commence at any time and at any level enabling you to create a study routine to fit around existing commitments. Courses on offer include:

Analogue Electronics
Digital Electronics
Fibre/Optoelectronics
Programmable Logic Controllers
Electronic Testing & Fault Diagnosis

Tutor support and BTEC certification are available as options with no travelling or college attendance required. These very popular courses which are ideal for vocational training contain workbooks, audio cassette lectures, PCB's, instruments, tools, components and leads as necessary to support the theoretical and practical training. Whether you are a newcomer to electronics or have some experience and simply need an update or certification, there is probably a distance learning course ready for you. Write or telephone for details to:

National College of Technology
NCT Ltd., PO Box 11
Wendover, Bucks
Tel: (0296) 624270



TRANSMITTERS

AT LAST. A comprehensive, easy to follow guide to building short range transmitters and surveillance devices. Packed with useful information and circuits.

★ Only **£3.95** inc p&p.

(Some of the circuits included cannot be used legally in the UK)



KITS

All kits come with pre-drilled PCBs and high spec. components. For built and tested units please add £3.50.

MICRO FM TRANSMITTER (a). 1 mile range, 80-100MHz preset inc. mic., very small (2"3cm) **£6.95**

MICRO FM TRANSMITTER (b). Variable mic. sens., tunable 90-110MHz. 1 mile range **£7.95**

FM TRACKER. Transmits an audio tone for direction finding, tracking etc. 80-110MHz **£8.50**

FM RECEIVER (a). Tiny high quality FM radio. Will drive headphones direct (not inc) **£10.90**

FM RECEIVER (b). As (a) but with 3 watt audio output and tuning LED **£12.60**

CRYSTAL RADIO. Includes tuner, earphone, ferrite aerial, etc. **£6.90**

AM RADIO. Single chip radio for headphones (not inc.) **£8.90**

AUDIO POWER AMPS 3 WATT low cost for intercoms etc **£4.95**

15 WATT General purpose upgrade **£8.95**

40 WATT High quality, HD 0-003%, switch on mute Ideal for compact disc **£15.50**

150 WATT Rugged and powerful MOSFET design. PA/sound systems **£22.95**

PREAMPS ETC

GENERAL PURPOSE PREAMP. Variable gain 9-25V 40mV max inc **£4.00**

ULTRA LOW NOISE. For high quality mixers, mics etc 9-25V **£4.50**

SMALL SIGNAL. Sensitive FET preamp for piezo transducers **£3.90**

ACTIVE TONE. 12dB c/b bass and treble with variable gain **£8.95**

7 BAND EQ. 150Hz-18KHz for EQ units and tone control, includes on-board preamp and pots. Variable gain **£12.95**

NOISE GATE. Dynamic noise reduction system. Variable input and cut off level. Will accept instruments, tape decks etc **£15.95**

MUSIC KITS. Full range of on-board units for guitars and other instruments. Tone boosters, active circuitry, transducers. Send for list.

Prices include P&P. **Mail Order Only.** Make cheques and postal orders payable to:

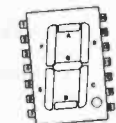


PO Box HP79, Woodhouse Street, Leeds LS6 3XN

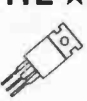
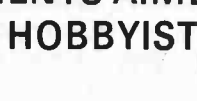
OMNI ELECTRONICS

174 Dalkeith Road, Edinburgh EH16 5DX ★ 031 667 2611

The supplier to use if you're looking for:-



A WIDE RANGE OF
★ COMPONENTS AIMED AT THE ★
HOBBYIST



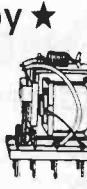
★ COMPETITIVE VAT INCLUSIVE ★
PRICES



★ MAIL ORDER - generally by ★
RETURN OF POST



★ FRIENDLY SERVICE ★



OPEN:

Monday-Thursday 9.15 - 6.00

Friday 9.15-5.00

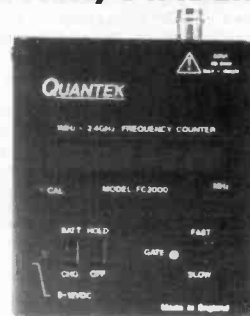
Saturday 9.30-5.00



QUANTEK FC2000

ULTRA HIGH SENSITIVITY FREQUENCY COUNTER/FINDER

- ★ 1MHz - 2.4GHz
- ★ Sensitivity less than 1mV from 10MHz to 800MHz
- ★ 2 Gate/measurement periods
- ★ Display hold switch
- ★ Bright 8 digit LED display
- ★ Charge & Gate LEDs
- ★ Aluminium case - 100 x 87 x 28mm
- ★ 700mAh Ni-cad batteries
- ★ Maximised sensitivity for measuring transmitted radio signals at a distance
- ★ Supplied with mains adaptor/charger & telescopic antenna



ONLY **£119**

+ £5 P&P

MADE IN UK

12 Months Guarantee

TO ORDER CALL

021 457 7994

FAX ORDERS 021 457 9745

QUANTEK ELECTRONICS

1678 BRISTOL ROAD SOUTH, BIRMINGHAM B45 9TZ



EVERYDAY WITH PRACTICAL ELECTRONICS

CLASSIFIED

Everyday with Practical Electronics reaches twice as many UK readers as any other independent monthly hobby electronics magazine, our audited sales figures prove it. We have been the leading independent monthly magazine in this market for the last nine years

If you want your advertisements to be seen by the largest readership at the most economical price our classified and semi-display pages offer the best value. The prepaid rate for semi-display space is £8 (+VAT) per single column centimetre (minimum 2.5cm). The prepaid rate for classified adverts is 30p (+VAT) per word (minimum 12 words).

All cheques, postal orders, etc., to be made payable to Everyday with Practical Electronics. VAT must be added. Advertisements, together with remittance, should be sent to Advertisements, Everyday with Practical Electronics, Holland Wood House, Church Lane, Great Holland, Essex CO13 0JS. Phone/Fax (01255) 850596.

For rates and information on display and classified advertising please contact our Advertisement Manager, Peter Mew as above.

*** SURVEILLANCE KITS ***

MRT1 MICRO TRANSMITTER. 26mm x 20mm including sensitive electret microphone, tuneable 80-115MHz, 500M range. Kit £4.95, Assembled £8.95.

MTT1 TELEPHONE TRANSMITTER. 35mm x 10mm, powered from line, transmits all conversations, 500M range, 80-120MHz. Kit £5.95, Assembled £10.95.

All prices include p&p. Send 2x2nd class stamps for Catalogue. Cheques/P.O.s payable to:

EXCEL PRODUCTS (Dept. EPE)
Unit 14, Sunningdale, Bishop's Stortford, Herts CM23 2PA

ASTRA Desk Top Accounting™

Overture - Invoicing, Sales, Nominal, VAT, etc
Premier - plus Stock, Jobs, EPOS, etc
Professional - plus Multi-Currency/Depts, etc

S&S Systems Ltd, Bretton Court, Manor Road, Wales
Sheffield, S31 8PD, UK. (Software distributors and Apple dealers)
Tel: (01909) 773399 • Fax: (01909) 773645 • Int Code: +44 1909

BTEC ELECTRONICS TECHNICIAN FULL-TIME TRAINING

THOSE ELIGIBLE CAN APPLY FOR E.T. GRANT SUPPORT AN EQUAL OPPORTUNITIES PROGRAMME

O.N.C., O.N.D. and H.N.C.

Next course commences
Monday 9th January 1995
FULL PROSPECTUS FROM

LONDON ELECTRONICS COLLEGE
(Dept EPE) 20 PENYWERN ROAD
EARLS COURT, LONDON SW5 9SU
TEL: 071-373 8721

SMITH ELECTRONICS
Maplin Frequency Counter £50.
Video Circuits c.r.t. tube tester £50.
10MHz Scope, dual trace £60.
(14) 37,000µF, 75V d.c. capacitors
£100 the lot.

Other components, heat sinks, toroidal transformers - large etc.
Phone 081-902 5447

The Amazing CLEANFIT wirefree Alarm System

- Protects homes, cars and outbuilding.
- Advanced radio technology linked detectors
- DTI Approval type MPT 1340
- Fitted in under 2 hours
- Full remote control operation

LOWEST PRICES IN UK
Free Info Pack. Tel: 0246 240800 or Fax 0246 240400

BEGINNERS ELECTRONIC KITS

1. Fuse/Bulb Tester. 2. Flashing Red/Green Car Theft Deterrent/Battery Indicator. 3. Car Voltage Probe. 4. Multi-colour Led Battery Monitor.

★ Quality Components ★ Full Instructions
★ Original Designs ★ Money Back Guarantee.

Send SAE (A4 size) for Brochure,
to: P. Clark, 4 Comroston Crt., Brocket Rd., Hoddesdon, Herts. EN11 8PQ.

ELECTRONIC SERVICE ENGINEER REQUIRED, LONDON W11

Can you mend a wide range of musical instruments and equipment, computers, TVs, videos and hi-fi without the service manuals? Would you like a varied, challenging and responsible job in a relaxed environment?

Telephone 071-727 3538

MINI C.C.D. CAMERA

Mini C.C.D. camera only
32x32mm complete with
3.8mm wide view lens and 9v
power supply. Plugs directly
into most types of video
recorders using the video
input. Min. Illumination 0.3 Lux.
Standard mini board camera
(uncased) only
£195 including carriage.

ALSCO
Astley House,
Johnson St Tyldesley,
Manchester,
M29 8AB.
Tel. 0942 893573

RCS VARIABLE VOLTAGE D.C. BENCH POWER SUPPLY
1 to 24 volts up to 1/2 amp. 1 to 20 volts up to 1 amp. 1 to 16 volts up to 1 1/2 amps d.c. Fully stabilised. Twin panel meters for instant voltage and current readings. Overload protection
Fully variable.
Operates from
240V a.c.
Compact unit.
Size 9 x 5 1/2 x 3in.
NEW MODEL. Up to 38volts d.c. at 6 amps. 10 amps peak. Fully variable
Twin panel meters. Size 14 1/2 x 11 x 4 1/2in. £95 inc VAT. Carr £6.

RADIO COMPONENT SPECIALISTS
337 WHITEHORSE ROAD, CROYDON
SURREY, U.K. Tel: 081-684 1665

List. Large SAE. Delivery 7 days. Callers welcome. Closed Wednesday

NEWMARKET TRANSFORMERS LTD
Mail Order Transformer Specialists.
Toroidal and Laminated Transformers,
3VA to 1kVA.
Fast delivery. Competitive prices.
Quality guaranteed.

Phone: Michael Dornan
on 0638 662989 for Immediate Quote

THE BRITISH AMATEUR ELECTRONICS CLUB

exists to help electronics enthusiasts by personal contact and through a quarterly Newsletter.

For membership details, write to the Secretary:
Mr. J. F. Davies, 70 Ash Road, Cuddington, Northwich, Cheshire CW8 2PB.

Space donated by Everyday with Practical Electronics

Miscellaneous

PROTOTYPE PRINTED CIRCUIT BOARDS
one offs and quantities, for circuits send s.a.e. to
B. M. Ansbro, 38 Poynings Drive, Hove, Sussex
BN3 8GR, or phone Brighton 883871.

G.C.S.E. ELECTRONICS KITS, at pocket
money prices. S.A.E. for FREE catalogue.
SIR-KIT Electronics, 70 Oxford Road, Clacton,
CO15 3TE.

PLDs AND EPROMS copied or programmed.
We supply logic devices/convert discrete logic to
PLDs. Also PCBs designed. Send for details to
PO Box 1561 Bath (0225 444467).

VALVE ENTHUSIASTS. Capacitors and other
parts at attractive prices! Ring for free list. Geoff
Davies (Radio). Tel: 0788 574774.

**PROTECT YOURSELF AGAINST
COMPUTER/T.V. EMANATIONS**. Fix our
Harmonisers to your instruments/sets. Small,
innovative, different. Future Concepts, 19
Wellfield Avenue, London, N10 2EA. 081-883
0767.

AUDIO COMPRESSOR/EXPANDER KIT. All
components supplied. Input 10mV-1V. Output
90mV r.m.s. (nominal). Power requirements 6
volts d.c. 10mA (typical). £12.95 inc. postage. Star
Designs, 67 Medoc Close, Cheltenham GL50 4SP.

SOLAR TECHNOLOGY CATALOGUE. New,
3rd edition, 50 pages with wide range of security
lights, portable lamps, battery chargers, in-
dividual solar cells, small motors and many other
components. Send £5 (£3 refund on order) to:
SPI Ltd/EPE, 21a Broadwalk, Pinner Road,
North Harrow, Middlesex HA2 6ED. Tel:
081-424 0262 (Fax: 424 0824).

**TELECOMMUNICATIONS, TELEWORK-
ING AND REMOTE CONTROL** software for
IBM compatible PCs, off the shelf or specifically
written. For details send SAE to B K Walker, 25
Larkfield Road, Sunderland SR2 9BE.

**This 2 1/2cm space in
Everyday with
Practical Electronics
Would ONLY cost you
£20 + VAT**

EVERYDAY WITH PRACTICAL ELECTRONICS

Name

Address

SUBSCRIPTION ORDER FORM

Annual subscription rates (1994/5):
UK £24.00.
Overseas £30.00 surface mail,
£47.50 airmail.

To:
Everyday with Practical Electronics,
Allen House, East Borough, Wimborne,
Dorset BH21 1PF

I enclose payment of £.....
(cheque/PO in £ sterling only, payable to
Everyday with Practical Electronics). Alternatively
send Access or Visa number and card expiry date.

Signature

Please supply name and address of card-holder if different
from the subscription address shown above. Subscrip-
tions can only start with the next available issue.
For back numbers see the Editorial page.

Tel: 01202 881749 Fax: 01202 841692

M11/94

MAKE YOUR INTERESTS PAY!

Over the past 100 years more than 10 million students throughout the world have found it worth their while! An ICS home-study course can help you get a better job, make more money and have more fun out of life! ICS has over 100 years experience in home-study courses, and is the largest correspondence school in the world. You learn at your own pace, when and where you want under the guidance of expert 'personal' tutors. Find out how we can help YOU. Post or phone today for FREE INFORMATION on the course of your choice. (Tick one box only)

GCSE/A' LEVEL over 20 examination subjects to choose from. Ask for details.

Electronics <input type="checkbox"/>	TV, Video & Hi-Fi Servicing <input type="checkbox"/>
C & G Basic Electronic Engineering <input type="checkbox"/>	Refrigeration & Air Conditioning <input type="checkbox"/>
Electrical Engineering <input type="checkbox"/>	PC Repair <input type="checkbox"/>
Electrical Contracting/Installation <input type="checkbox"/>	Computer Programming <input type="checkbox"/>

Mr/Mrs/Miss/Ms

Address

P Code

ICS International Correspondence Schools, Dept. ECS B4, 312/314 High Street, Sutton, Surrey SM1 1PR. Tel: 041-221 7373 (24 hours). Fax: 041-221 8151

VISA



Cooke International

SUPPLIER OF QUALITY USED TEST INSTRUMENTS

ANALYSERS, BRIDGES, CALIBRATORS, VOLTMETERS, GENERATORS, OSCILLOSCOPES, POWER METERS, ETC. ALWAYS AVAILABLE

ORIGINAL SERVICE MANUALS FOR SALE
COPY SERVICE ALSO AVAILABLE

EXPORT, TRADE AND U.K. ENQUIRIES WELCOME
SEND LARGE S.A.E. (50p POSTAGE) FOR LISTS OF EQUIPMENT & MANUALS
ALL PRICES EXCLUDE VAT AND CARRIAGE
DISCOUNT FOR BULK ORDERS SHIPPING ARRANGED

OPEN MONDAY TO FRIDAY 9AM-5PM

Unit Four, Fordingbridge Site, Main Road, Barnham, Bognor Regis,
West Sussex, PO22 0EB

Tel (+ 44) 0243 545111/2 Fax (+ 44) 0243 542457

EQUIPMENT & ACCESSORIES PURCHASED

MARAPET ELECTRONIC COMPONENTS

Tel: 0452 526883

Spares for TV ★ Video ★ Audio ★ Computer Equipment

VIDEO SPARES
We can supply Pinch Rollers, Idlers, Bell Kifs, Heads + many other Service & Specific parts for over 160 makes.

TV - SATELLITE AUDIO SPARES
Switches, Transformers, Semiconductors, etc. etc. Large range available.

EQUIPMENT MANUALS
Large selection of Manufacturers Service & User Information available. Original manuals supplied if possible.

SEMICONDUCTORS
We can supply thousands of different Custom & Industry Standard devices.

REMOTE CONTROL HANDSETS
Very large range available from...£10.99

PHONE for a 'PRICE & AVAILABILITY' on your requirements, or send S.A.E. for more information on our service.

COMPUTER SPARES

PHILIPS MONITORS	EQUIPMENT MANUALS
CM8833 Line O/P Tx.....£21.27	"NO VAT ON MANUALS"
CM11342 Line O/P Tx.....£24.49	Philips CM11342 Service...£9.99
CM9073 Power Switch.....£8.63	Philips CM8833 Service...£8.55
AMSTRAD	
CPC464 Keyboard.....£25.52	Ams PCW9512 Service...£14.53
40054 ROM (+2).....£11.69	Ams PC12HROD Service...£5.00
AY38912 IC.....£6.58	Ams PC14CD/O Service...£5.00
SED9420CAC.....£14.93	CBM C64/C64C Service...£14.99
COMMODORE CHIPS	
6569 VIC (C64).....£13.49	CBM 64 User.....£5.49
6565 VIC (C64C).....£15.03	CBM C64C User.....£4.99
8372B (A3000).....£29.91	CBM C + 4 User.....£5.49
MB81416-12 (C16).....£3.75	SELECTED CHIPS
27C256-200NS.....£3.50	
Alert ST-DMA.....£27.99	
FLYBACK TRANSFORMERS	
Spectrum ZX8401.....£5.44	
QL ZX8302.....£6.49	
Spectrum TMS4532N4.....£0.99	

We only show a small sample of our stock. Many Batteries, Leads and Printer Spares also available. Please enquire. All items subject to availability. Prices can change without notice.

How to order: By Phone or Post. We accept Credit Cards with pleasure, also DELTA & SWITCH. Please add: £1.20 (UK) P&P (+50p for LOPTx's) then add 17.5% VAT. (NB: VAT is due on P&P - Manuals are zero rated).



Mail Order to: - MEC
1 HORNBEAM MEWS
GLOUCESTER GL2 0UE

Most advertisements are legal, decent, honest and truthful. A few are not, and, like you, we want them stopped.

If you would like to know more about how to make complaints, please send for our booklet: 'The Do's and Don'ts of Complaining'. It's free.

The Advertising Standards Authority.

We're here to put it right. ✓

ASA Ltd., Dept. Z., Brook House, Torrington Place, London WC1E 7HN.
This space is donated in the interests of high standards of advertising.

SERVICE MANUALS

We have what is probably the largest range of Service Information available anywhere. From the Earliest Valve Wireless to the Latest Video Recorders. Colour Televisions, Test Gear, Audio, Computers, Amateur Radio in fact practically anything. Write, Fax or Phone for immediate Quote. Originals or Photostats as available.

Also available. Our FREE catalogue detailing Hundreds of Technical Books and Repair Guides available.

STOP PRESS

Now Available. Our Service Manuals Index on P.C. Disc for use on your Computer. Just £3.50 with FREE everlasting Updates.

MAURITRON TECHNICAL SERVICES (EPE),

47A High Street, Chinnor, Oxon. OX9 4DJ.

Tel: 0844-351694. Fax: 0844 352554.

Please forward your latest catalogue for which I enclose 2 x 1st Class Stamps, or £3.50 for the Technical Books Catalogue plus Manuals Index on PC Disc(s). Discs are 3.5" (720k/1.4Mb) or 5.25" (360k/1.2Mb). Please indicate size required

NAME _____

ADDRESS _____

POSTCODE _____

If you do not want to cut your magazine photocopy this form or use a separate sheet.

VALVES	100 off phono plugs.....£2.95*
30L15, £4; ECC804, £3;	50 off mixed terminal blocks.....£2.50*
ECH84/EF85/EH90/EY86/	25 off buzzers & sounders...£3.50*
PCF801/PCF806/PCL88/	25 off mixed relays.....£4.95*
PL81/PL83/PY82.....All £1 ea*	50 off mixed switches.....£7.50*
5 1/4" to 3 1/2" floppy converter	250 off i.c. sockets.....£3.95*
leads.....£1.50 ea*	1000 off Ceramic caps.....£7.50*
STC p.s.u. 240V Input; 5V 6A	5 off 3V Lithium memory
Output, (converts to 12V 3A,	back-up batteries.....£2.00*
details supplied).....£5.95	100 off 2200µF 25V caps.....£6.00*
Temperature probes, with	100 off 4-7µF 25V caps.....£2.50*
data.....£3.95*	3lb mixed component pack...£4.95
Universal Timer (10 min.	Jumbo component pack.....£10
delay and 20 min. cut-off	Crystal oscillators
functions).....£3.95*	10/12Mhz.....£1 ea
TRANSISTORS	5V DPCO D.I.L. relay.....60p ea*
BDX42/BDY91/BD237/	5V SPCO S.I.L. reed relay...40p ea*
BUX85/BSS52.....All 50p ea*	12V Piezoelectric Sounders.50p ea
12V 400mW Zeners.....£1 - 100*	DIL Switches 3/4/6 and
MOSFETS, 10A 450V,	12-way.....35p ea*
10A 500V.....£2.50 ea*	3-5mm jack plugs.....10 for £1*
UM1287 sound and video	100 off Zener diodes, mixed...£2*
modulator.....£2.50 ea*	21-piece mini screwdriver
3AMP mains filters.....£1.00 ea*	set.....£3.95*
12V counters.....£1.00 ea*	Universal test lead kit.....£3.95*
40 Character x 1-line dot	10 crocodile clip leads.....£3.50*
matrix display.....£4.95 ea*	20 off mixed R.F. Filters,
Car Dashboard Display (shows	Crystals, etc.....£4.95*
lights, indicators, doors,	100m P.V.C. sleeving.....£4.50*
on picture of car).....£4.95*	QUANTITY DISCOUNTS
4-digit clock display.....£2.50*	AVAILABLE PLEASE RING.
4-digit l.c.d. with 7211	We also buy all forms of electronic
driver.....£3.50*	components, p.s.u.'s, disk drives etc.
17-digit v.f. display.....£2.95*	Lists to below address.
Giant 2 digit v.f. display.....£2.95*	ALL PRICES INCLUDE V.A.T.
12V stepper motors, 48 steps	PLEASE ADD £2.00 p&p EXCEPT
per rev., 7-3° step angle...£3.95*	ITEMS MARKED* WHICH ARE 50P.
250 off mixed electrolytic	SAE FOR BULK BUYING LIST
caps.....£4.95*	PAYMENT WITH ORDER TO:
250 off polyester caps.....£4.95*	Dept EE, COMPELEC,
1000 off mixed resistors	14 Constable Road,
1/4W.....£4.95*	St. Ives, Huntingdon,
	Cambs PE17 6EQ
	Tel/Fax: 0480 300819

Inverter toroidal transformers 225VA 10.5-0-10.5V primary 0-250-285V secondary..... £29.95
 LEDs 3mm or 5mm red or green 8p each..... £1.95
 11p each. High intensity red, green or yellow, 5mm 30p each
 Cable Ties 1p each, £5.95 per 1000, £49.50 per 10,000.

High quality photo resist copper clad epoxy glass boards

Dimensions	single-sided	double-sided
3x4 inches	£1.09	£1.23
4x8 inches	£2.75	£2.99
6x12 inches	£6.20	-
12x12 inches	£12.25	-

RECHARGEABLE BATTERIES

AA (HP7) 500mAh..... £0.99
 AA 700mAh..... £1.75
 C 2AH with solder tags..... £3.60
 D 4AH with solder tags..... £4.95
 1/2AA with solder tags..... £1.55
 AAA (HP16) 150mAh..... £1.95
 AA 500mAh with solder tags..... £1.55
 C (HP11) 1.8AH..... £2.20
 D (HP2) 1.2AH..... £2.60
 PP3 8 4V 1100mAh..... £4.95
 Sub C with solder tags..... £2.50
 1/3 AA with tags (Phillips CTV)..... £1.95

Stender charger, charges 4 AA cells in 5 hours or 4Cs or Ds in 12 to 14 hours + 1xPP3 (1, 2, 3 or 4 cells may be charged at a time)..... £5.95
 High power charger, as above but charges the Cs and Ds in 5 hours; AAs, Cs and Ds must be charged in twos or fours..... £10.95
 Nickel Metal Hydride AA cells, high capacity with no memory, 1000mAh £3.85; 1200mAh..... £4.40

SPECIAL OFFERS - PLEASE CHECK FOR AVAILABILITY

42mm x 16mm dia. 1 2V..... £1.45
 Stick of 4 171mm x 16mm dia., with red and black leads 4-8V..... £5.95
 Computer grade capacitors with screw terminals, 38000µF 20V £2.50; 87000µF 10V £1.95; 68000µF 15V £2.95; 10000µF 16V £1.50; 58000µF 60V £4.95
 7-segment common anode I.e.d. display, 12mm..... £0.45
 LM2931 AT 5.0 low drop out 5V regulator TO220 package..... £0.85
 7812 and 7912 12V 1A regulators..... £26.00 per 100
 LM337K TO3 case variable regulator..... £1.95
 100 + £1.44 each
 GaAs F.E.T. low leakage current S8873 £12.95 each, £9.95 10+; £7.95 100+
 BS250 p-channel MOSFET..... 45p
 BC559 transistor..... £3.95 per 100
 74LS05 Hex inverter..... £10.00 per 100
 Used 8748 Microcontroller..... £3.50
 SL952 UHF Limiting amplifier, LC 16 surface mounting package with data sheet..... £1.95
 AM27502..... £1.25 each; 90p 100+
 CD4007UB..... 10p 100+; 6p 1000+
 Sinclair light gun terminated with a jack plug and PP3 clip gives a signal when pointed at 50Hz flickering light, we output waveform chart..... £9.95
 DC-DC converter, Reliability model, V12P5, 12V in 5V 200mA out, 300V input to output isolation, with data..... £4.95 each or pack of 10..... £39.50
 Hour counter used 7 digit 240V a.c. 50Hz..... £1.45

QWERTY keyboard, 58 key good quality switches, new..... £5.00
 Airpax A82903-C large stepping motor 14V 7.5' step, 27 ohm, 68mm dia. body, 6.3mm shaft..... £8.95 or £200.00 for a box of 30
 Polyester capacitors, box type, 22.5mm lead pitch 0.9µF 250V d.c. 18p each 14p 100+; 3p 1000+ 1µF 250V d.c. 20p each 15p 100+; 10p 1500+ 2.2µF 250V d.c. 30p each 20p 100+; 15p 1000+ 3.3µF 100V d.c. 30p each 20p 100+; 15p 1000+ 1µF 50V bipolar electrolytic axial leads, 15p each, 7.5p 1000+
 0.22µF 250V polyester axial leads, 15p each, 100+ 7.5p each
 Polypropylene 1µf 400V d.c. (Wima MKP10) 27.5mm pitch, 32 x 29 x 17mm case, 75p each, 60p 100+
 Philips 123 series solid aluminium axial leads, 33µF 10V & 2.2µF 40V 40p each, 25p 100+
 Philips 108 series 22µF 63V axial..... 30p each, 15p 1000+
 Multilayer AVX ceramic capacitors, all 5mm pitch, 100V 100pF, 150pF, 220pF, 10,000pF (10n) 10p each, 5p 100+; 3.5p 1000+
 500pF compression trimmer..... 60p
 40µF 370V a.c. motor start capacitor (di electrolytic type containing no p.b.s.)..... £5.95 or £48.50 for 10
 Welwyn W23 9W 120 ohm 35p each, 20p 100+ 680 ohm 2W metal film resistor..... 4p 100+; 2p 1000+
 Solid carbon resistors, very low inductance, ideal for r.f. circuits, 270hm 2W, 680hm 2W 25p each, 15p each 100+
 We have a range of 0.25W, 0.5W, 1W and 2W solid carbon resistors - please send SAE for list
 P.C. 400W PSU (Intel part 201035-001) with standard motherboard and 5 disk drive connectors, fan and mains inlet/output connectors on back and switch on the side (top for tower case) dims, 212 x 143 x 149mm excluding switch, £26.00 each, £138.00 for 6
 MX180 Digital multimeter 17 ranges, 1000V d.c. 750V a.c. 2Mohm 200mA transistor Hfe 9V and 1.5V battery test..... £12.95
 AMD 27256-3 EPROMS £2.00 each, £1.25 100+
 DIL switch 3PCD 12 pin (ERG SDC-3-023) 60p each, 40p 100+
 Disk Drive Boxes for a 5.25 disk drive, with room for a power supply, light-grey plastic 67mm x 268mm x 247mm..... £7.95 or £49.50 for 10
 Handheld Ultrasonic remote control..... £3.95
 CV2488 gas relay 30mm x 10mm dia. with 3 wire terminals, will also work as a neon light..... 20p each, £7.50 per 100
 A23 12V battery for car alarms or lighters..... 75p each, £50 100+
 All products advertised are new and unused unless otherwise stated.
 Wide range of CMOS TTL 74HC 74F Linear Transistors kits, rechargeable batteries, capacitors, tools etc. always in stock
 Please add £1.95 towards P&P
 VAT included in all prices

JPG ELECTRONICS
 276-278 Chatsworth Road
 Chesterfield S40 2BH
 Access/Visa Orders: (0246) 211202
 Callers welcome

Millions of quality components at lowest ever prices!

Plus Tools, Watches, Fancy Goods, Toys. Mail order UK only.

All inclusive prices - **NO VAT** to add on.

Send 43p stamped self addressed label or envelope for catalogue/clearance list.

At least 2,100 offers to amaze you.

Brian J Reed
6 Queensmead Avenue, East Ewell
Epsom, Surrey KT17 3EQ
Tel: 081-393 9055

ADVERTISERS INDEX

AUDON ELECTRONICS.....	882
N. R. BARDWELL.....	814
B.K. ELECTRONICS.....	Cover (iii)
BRIAN J. REED.....	892
BULL ELECTRICAL.....	Cover (ii)
CHATWIN GUITARS (JCG).....	889
CIRKIT DISTRIBUTION.....	849
COMPELEC.....	891
COOKE INTERNATIONAL.....	891
CRICKLEWOOD ELECTRONICS.....	814
CR SUPPLY COMPANY.....	892
DISPLAY ELECTRONICS.....	810
ESR ELECTRONIC COMPONENTS.....	820
EXPRESS COMPONENTS.....	853
HART ELECTRONIC KITS.....	837
ICS.....	891
JPG ELECTRONICS.....	892
KARE ELECTRONICS.....	865
LABCENTER.....	817
MAGENTA ELECTRONICS.....	818/819
MAPLIN ELECTRONICS.....	Cover (iv)
MARAPET.....	891
MAURITRON.....	891
M&B ELECTRICAL SUPPLIES.....	812
MQP ELECTRONICS.....	814
NATIONAL COLLEGE OF TECHNOLOGY.....	889
NICHE SOFTWARE.....	814
NUMBER ONE SYSTEMS.....	869
OMNI ELECTRONICS.....	889
PICO TECHNOLOGY.....	815, 875
POWERWARE.....	813
QUANTEK ELECTRONICS.....	889
SEETRAX CAE.....	815
SHERWOOD ELECTRONICS.....	814
SUMA DESIGNS.....	816
TSIEN.....	829

ADVERTISEMENT MANAGER:
PETER J. MEW
ADVERTISEMENT OFFICES:
 EVERYDAY with PRACTICAL ELECTRONICS, ADVERTISEMENTS,
 HOLLAND WOOD HOUSE, CHURCH LANE, GREAT HOLLAND, ESSEX CO13 0JS.
 Phone/Fax: (0255) 850596
 For Editorial address and phone numbers see page 821.

Mixed metal/carbon film resistors 1/4W E12 series 10 ohms to 1 Megohm..... 2p
 Carbon Film resistors 1/4W 5% E24 series 0.51 R to 10MΩ..... 1p
 100 off per value - 75p, even hundreds per value totalling 1000..... £6.00p
 Metal Film resistors 1/4W 10R to 1 MΩ 5% E12 series - 1/2p, 1% E24 series..... 2p
 Mixed metal/carbon film resistors 1/4W E24 series 1R0 to 10MΩ..... 1 1/2p
 1 watt mixed metal/carbon film resistors 5% E12 series 4R7 to 10 Megohms..... 5p
 Linear Carbon pre-sets 100mW and 1/4W 100R to 2MΩ E6 series..... 7p

Miniature polyester capacitors 250V working for vertical mounting
 015, 022, 033, 047, 068-4p, 0.1, 5p, 0.12, 0.15, 0.22 - 6p, 0.47 - 8p, 0.68 - 8p, 1.0 - 12p
 Mylar (polyester) capacitors 100V working E12 series vertical mounting 1000pF to 8200pF - 3p, 0.1 to 0.68 - 4p, 0.1, 5p, 0.12, 0.15, 0.22 - 6p, 0.47/50V - 8p

Subminiature ceramic plate capacitors 100V wkg vertical mountings. E12 series
 2% 1.8pF to 47pF - 3p, 2% 56pF to 330pF - 4p, 10% 390p-4700p..... 4p
 Disc/plate ceramics 50V E12 series 1P0 to 1000P, E6 Series 1500P to 47000P..... 2p

Polystyrene capacitors 63V working E12 series long axial wires
 10pF to 820pF - 5p, 1000pF to 10,000pF - 6p, 12,000pF..... 7p
 741 Op Amp - 20p, 555 Timer - 20p, LM3900..... 80p
 CMOS 4001 - 20p, 4011 - 22p, 4017 - 40p, 4069UB unbuffered..... 20p
 DIL holders, 8-pin 9p; 14-, 16-, 18-pin 12p; 24-pin 18p; 28-pin 20p; 40-pin 25p.

ALUMINIUM ELECTROLYTICS (Mfds/Volts)
 1/50, 2.2/50, 4.7/50, 10/25, 10/50..... 5p
 22/16, 22/25, 22/50, 33/16, 47/16, 47/25, 47/50..... 6p
 100/16, 100/25 7p, 100/50..... 12p
 220/16 8p, 220/25, 220/50 10p; 470/16, 470/25..... 11p
 1000/25 25p; 1000/35, 2200/25 35p; 4700/25..... 70p

Subminiature tantalum bead electrolytics (Mfds/Volts)
 0.1, 0.22, 0.47, 1.0, 2.2, 3.3 @ 35V - 4.7/16, 6.8/10, 10/6, 10p; 6.8/35, 12p, 4.7/25, 6.8/16, 10/6, 11p; 15/16, 22/6, 33/10, 15p; 10/25, 16p; 10/35, 22/16, 20p, 47/10, 20p; 47/16, 25p; 47/20, 30p; 47/35, 32p; 100/3, 18p; 100/6, 220/6, 20p.

VOLTAGE REGULATORS
 1A + or - 5V, 8V, 12V, 15V, 18V & 24V - 55p, 100mA, 5.8, 12, 15, V +..... 30p

DIODES (piv/amps)
 75/25mA 1N4148 2p, 800/1A 1N4006 4 1/2p, 400/3A 1N5404 14p, 115/15mA OA91..... 8p
 100/1A 1N4002 3 1/2p, 1000/1A 1N4007 5p, 60/1.5A S1M1 5p, 100/1A bridge..... 25p
 400/1A 1N4004 4p, 1250/1A BY 127 10p, 30/150mA OA47 gold bonded..... 18p
 Zener diodes E24 series 3V3 to 33V 400mW - 6p, 1 watt..... 10p
 Battery snaps for PP3 - 7p for PP9..... 12p
 L.E.D.'s 3mm & 5mm, Red, Green, Yellow - 10p, Grommets 3mm - 2p, 5mm..... 2p
 Red flashing L.E.D.'s require 9-12V supply only, 5mm..... 50p
 Mains indicator neons with 220k resistor..... 10p
 20mm fuses 100mA to 5A, 0. blow 6p, A/surge 10p, Holders, chassis, mounting..... 6p
 High speed pc drill 0.8, 1.0, 1.3, 1.5, 2.0mm - 40p, Machines 12V dc..... £15.50
 HELPING HANDS 6 ball joints and 2 croc clips to hold awkward jobs..... £4.50
 AA/HP7 Nicad rechargeable cells 90p each. Universal charger unit..... £6.50
 AA/HP7 zinc/carbon batteries in packs of 4..... £1.10 per pack
 Glass reed switches with single pole make contacts - 8p, Magnets..... 20p
 0.1" Stripboard 2 1/2" x 1" 9 rows 25 holes - 25p, 3 3/4" x 2 1/2" 24 rows 37 holes..... 70p
 Jack plugs 2.5 & 3.5mm - 14p; Sockets Panel Mtg. 2.5 & 3.5mm..... 10p
 Ear pieces 2.5 & 3.5mm, dynamic - 20p, 3.5mm crystal..... £1.50
 Multi cored solder, 22G - 8p yard, 18G - 14p yard.

TRANSISTORS
 BC107/8/9 - 12p, BC547/8/9 - 8p, BC557/8/9 - 8p, BC182, 182L, BC183, 183L, BC184, 184L, BC212, 212L - 10p,
 BC327, 337, 337L - 12p, BC727, 737 - 12p, BD135/6/7/8/9 - 25p, BCY70 - 18p,
 BFY50/51/52 - 20p,
 8FX88 - 15p, 2N3055 - 55p, TIP31, 32 - 30p, TIP41, 42 - 40p, BU208A - £1.50, 8F195, 197 - 12p
 Ionisers with seven year guarantee, 240V AC, list price £16.95 or more..... £12.50
 Do not add VAT. Postage 30p (free over £5). Stamp for list.

THE CR SUPPLY CO
 127 Chesterfield Rd., Sheffield S8 0RN Tel: 0742 557771 Return posting

Published on approximately the first Friday of each month by Wimborne Publishing Ltd., Allen House, East Borough, Wimborne, Dorset BH21 1PF. Printed in England by Benham & Co. Ltd, Colchester, Essex. Distributed by Seymour, Windsor House, 1270 London Road, Norbury, London SW16 4DH. Sole Agents for Australia and New Zealand-Gordon & Gotch (Asia) Ltd., South Africa-Central News Agency Ltd. Subscriptions INLAND £24 and OVERSEAS £30 (£47.50 airmail) payable to "Everyday with Practical Electronics" Subs Dept, Allen House, East Borough, Wimborne, Dorset BH21 1PF. EVERYDAY with PRACTICAL ELECTRONICS is sold subject to the following conditions, namely that it shall not, without the written consent of the Publishers first having been given, be lent, resold, hired out or otherwise disposed of by way of Trade at more than the recommended selling price shown on the cover, and that it shall not be lent, resold, hired out or otherwise disposed of in a mutilated condition or in any unauthorised cover by way of Trade or affixed to or as part of any publication or advertising, literary or pictorial matter whatsoever.

OMP MOS-FET POWER AMPLIFIERS HIGH POWER, TWO CHANNEL 19 INCH RACK

THOUSANDS PURCHASED BY PROFESSIONAL USERS



THE RENOWNED MXF SERIES OF POWER AMPLIFIERS FOUR MODELS:- MXF200 (100W + 100W) MXF400 (200W + 200W)

MXF600 (300W + 300W) MXF900 (450W + 450W) ALL POWER RATINGS R.M.S. INTO 4 OHMS, BOTH CHANNELS DRIVEN

FEATURES: *Independent power supplies with two toroidal transformers * Twin L.E.D. Vu meters * Level controls * Illuminated on/off switch * XLR connectors * Standard 775mV inputs * Open and short circuit proof * Latest Mos-Fets for stress free power delivery into virtually any load * High slew rate * Very low distortion * Aluminium cases * MXF600 & MXF900 fan cooled with D.C. loudspeaker and thermal protection.

USED THE WORLD OVER IN CLUBS, PUBS, CINEMAS, DISCOS ETC.

SIZES:- MXF200 W19" xH3 1/2" (2U)xD11"
MXF400 W19" xH5 1/4" (3U)xD12"
MXF600 W19" xH5 1/4" (3U)xD13"
MXF900 W19" xH5 1/4" (3U)xD14 1/2"

PRICES:- MXF200 £175.00 MXF400 £233.85
MXF600 £329.00 MXF900 £449.15
SPECIALIST CARRIER DEL. £12.50 EACH



OMP XO3 STEREO 3-WAY ACTIVE CROSS-OVER



Advanced 3-Way Stereo Active Cross-over, housed in a 19" x 1U case. Each channel has three level controls: bass, mid & top. The removable front fascia allows access to the programmable DIL switches to adjust the cross-over frequency: Bass-Mid 250/500/800Hz, Mid-Top 1.8/3/5KHz, all at 24dB per octave. Bass invert switches on each bass channel. Nominal 775mV input/output. Fully compatible with OMP rack amplifier and modules.

Price £117.44 + £5.00 P&P

STEREO DISCO MIXER SDJ3400SE * ECHO & SOUND EFFECTS *

STEREO DISCO MIXER with 2 x 7 band L & R graphic equalisers with bar graph LED Vu meters. **MANY OUTSTANDING FEATURES:-** including Echo with repeat & speed control, DJ Mic with talk-over switch, 6 Channels with individual faders plus cross fade, Cue Headphone Monitor, 8 Sound Effects. Useful combination of the following inputs:- 3 turntables (mag), 3 mics, 5 Line for CD, Tape, Video etc.



Price £144.99 + £5.00 P&P

SIZE: 482 x 240 x 120mm

PIEZO ELECTRIC TWEETERS - MOTOROLA

Join the Piezo revolution! The low dynamic mass (no voice coil) of a Piezo tweeter produces an improved transient response with a lower distortion level than ordinary dynamic tweeters. As a crossover is not required these units can be added to existing speaker systems of up to 100 watts (more if two are put in series). **FREE EXPLANATORY LEAFLETS ARE SUPPLIED WITH EACH TWEETER.**

TYPE 'A' (KSN1036A) 3" round with protective wire mesh. Ideal for bookshelf and medium sized Hi-Fi speakers. Price £4.90 + 50p P&P.
TYPE 'B' (KSN1005A) 3 1/2" super horn for general purpose speakers, disco and P.A. systems etc. Price £5.99 + 50p P&P.
TYPE 'C' (KSN1016A) 2" x 5" wide dispersion horn for quality Hi-Fi systems and quality discos etc. Price £6.99 + 50p P&P.
TYPE 'D' (KSN1025A) 2" x 6" wide dispersion horn. Upper frequency response retained extending down to mid-range (2KHz). Suitable for high quality Hi-Fi systems and quality discos. Price £9.99 + 50p P&P.
TYPE 'E' (KSN1038A) 3 3/4" horn tweeter with attractive silver finish trim. Suitable for Hi-Fi monitor systems etc. Price £5.99 + 50p P&P.
LEVEL CONTROL Combines, on a recessed mounting plate, level control and cabinet input jack socket. 85x85mm. Price £4.10 + 50p P&P.



IBI FLIGHT CASED LOUDSPEAKERS

A new range of quality loudspeakers, designed to take advantage of the latest speaker technology and enclosure designs. Both models utilize studio quality 12" cast aluminium loudspeakers with factory fitted grilles, wide dispersion constant directivity horns, extruded aluminium corner protection and steel ball corners, complemented with heavy duty black covering. The enclosures are fitted as standard with top hats for optional loudspeaker stands.



POWER RATINGS QUOTED IN WATTS RMS FOR EACH CABINET FREQUENCY RESPONSE FULL RANGE 45Hz - 20KHz

IBI FC 12-100WATTS (100dB) PRICE £159.00 PER PAIR

IBI FC 12-200WATTS (100dB) PRICE £175.00 PER PAIR

SPECIALIST CARRIER DEL. £12.50 PER PAIR

OPTIONAL STANDS PRICE PER PAIR £49.00

Delivery £6.00 per pair

IN-CAR STEREO BOOSTER AMPS



PRICES: 150W £49.99 250W £99.99 400W £109.95 P&P £2.00 EACH

THREE SUPERB HIGH POWER CAR STEREO BOOSTER AMPLIFIERS

150 WATTS (75 + 75) Stereo, 150W Bridged Mono
250 WATTS (125 + 125) Stereo, 250W Bridged Mono
400 WATTS (200 + 200) Stereo, 400W Bridged Mono
ALL POWERS INTO 4 OHMS
Features:
* Stereo, bridgable mono * Choice of high & low level inputs * L & R level controls * Remote on-off * Speaker & thermal protection.

OMP MOS-FET POWER AMPLIFIER MODULES SUPPLIED READY BUILT AND TESTED.

These modules now enjoy a world-wide reputation for quality, reliability and performance at a realistic price. Four models are available to suit the needs of the professional and hobby market i.e. Industry, Leisure, Instrumental and Hi-Fi etc. When comparing prices, NOTE that all models include toroidal power supply, integral heat sink, glass fibre P.C.B. and drive circuits to power a compatible Vu meter. All models are open and short circuit proof.

THOUSANDS OF MODULES PURCHASED BY PROFESSIONAL USERS



OMP/MF 100 Mos-Fet Output power 110 watts R.M.S. into 4 ohms, frequency response 1Hz - 100KHz -3dB, Damping Factor >300, Slew Rate 45V/uS, T.H.D. typical 0.002%, Input Sensitivity 500mV, S.N.R. -110 dB, Size 300 x 123 x 60mm.
PRICE £40.85 + £3.50 P&P



OMP/MF 200 Mos-Fet Output power 200 watts R.M.S. into 4 ohms, frequency response 1Hz - 100KHz -3dB, Damping Factor >300, Slew Rate 50V/uS, T.H.D. typical 0.001%, Input Sensitivity 500mV, S.N.R. -110 dB, Size 300 x 155 x 100mm.
PRICE £64.35 + £4.00 P&P



OMP/MF 300 Mos-Fet Output power 300 watts R.M.S. into 4 ohms, frequency response 1Hz - 100KHz -3dB, Damping Factor >300, Slew Rate 60V/uS, T.H.D. typical 0.001%, Input Sensitivity 500mV, S.N.R. -110 dB, Size 330 x 175 x 100mm.
PRICE £81.75 + £5.00 P&P



OMP/MF 450 Mos-Fet Output power 450 watts R.M.S. into 4 ohms, frequency response 1Hz - 100KHz -3dB, Damping Factor >300, Slew Rate 75V/uS, T.H.D. typical 0.001%, Input Sensitivity 500mV, S.N.R. -110 dB, Fan Cooled, D.C. Loudspeaker Protection, 2 Second Anti-Thump Delay. Size 385 x 210 x 105mm.
PRICE £132.85 + £5.00 P&P



OMP/MF 1000 Mos-Fet Output power 1000 watts R.M.S. into 2 ohms, 725 watts R.M.S. into 4 ohms, frequency response 1Hz - 100KHz -3dB, Damping Factor >300, Slew Rate 75V/uS, T.H.D. typical 0.002%, Input Sensitivity 500mV, S.N.R. -110 dB, Fan Cooled, D.C. Loudspeaker Protection, 2 Second Anti-Thump Delay. Size 422 x 300 x 125mm.
PRICE £259.00 + £12.00 P&P

NOTE: MOS-FET MODULES ARE AVAILABLE IN TWO VERSIONS: STANDARD - INPUT SENS 500mV, BAND WIDTH 100KHz. PEC (PROFESSIONAL EQUIPMENT COMPATIBLE) - INPUT SENS 775mV, BAND WIDTH 50KHz. ORDER STANDARD OR PEC.

LOUDSPEAKERS

LARGE SELECTION OF SPECIALIST LOUDSPEAKERS AVAILABLE, INCLUDING CABINET FITTINGS, SPEAKER GRILLES, CROSS-OVERS AND HIGH POWER, HIGH FREQUENCY BULLETS AND HORNS, LARGE (A4) S.A.E. (60p STAMPED) FOR COMPLETE LIST.



McKenzie and Fane Loudspeakers are also available.

EMINENCE:- INSTRUMENTS, P.A., DISCO, ETC

ALL EMINENCE UNITS 8 OHMS IMPEDANCE
8" 100 WATT R.M.S. ME8-100 GEN. PURPOSE, LEAD GUITAR, EXCELLENT MID, DISCO. PRICE £32.71 + £2.00 P&P
RES. FREQ. 72Hz, FREQ. RESP. TO 4KHz, SENS 97dB.
10" 100 WATT R.M.S. ME10-100 GUITAR, VOCAL, KEYBOARD, DISCO, EXCELLENT MID. PRICE £33.74 + £2.50 P&P
RES. FREQ. 71Hz, FREQ. RESP. TO 7KHz, SENS 97dB.
10" 200 WATT R.M.S. ME10-200 GUITAR, KEYB'D, DISCO, VOCAL, EXCELLENT HIGH POWER MID. PRICE £43.47 + £2.50 P&P
RES. FREQ. 65Hz, FREQ. RESP. TO 3.5KHz, SENS 99dB.
12" 100 WATT R.M.S. ME12-100LE GEN. PURPOSE, LEAD GUITAR, DISCO, STAGE MONITOR. PRICE £35.64 + £3.50 P&P
RES. FREQ. 49Hz, FREQ. RESP. TO 6KHz, SENS 100dB.
12" 100 WATT R.M.S. ME12-100LT (TWIN CONE) WIDE RESPONSE, P.A., VOCAL, STAGE MONITOR. PRICE £36.67 + £3.50 P&P
RES. FREQ. 42Hz, FREQ. RESP. TO 10KHz, SENS 98dB.
12" 200 WATT R.M.S. ME12-200 GEN. PURPOSE, GUITAR, DISCO, VOCAL, EXCELLENT MID. PRICE £46.71 + £3.50 P&P
RES. FREQ. 58Hz, FREQ. RESP. TO 6KHz, SENS 98dB.
12" 300 WATT R.M.S. ME12-300GP HIGH POWER BASS, LEAD GUITAR, KEYBOARD, DISCO ETC. PRICE £70.19 + £3.50 P&P
RES. FREQ. 47Hz, FREQ. RESP. TO 5KHz, SENS 103dB.
15" 200 WATT R.M.S. ME15-200 GEN. PURPOSE BASS, INCLUDING BASS GUITAR. PRICE £50.72 + £4.00 P&P
RES. FREQ. 46Hz, FREQ. RESP. TO 5KHz, SENS 99dB.
15" 300 WATT R.M.S. ME15-300 HIGH POWER BASS, INCLUDING BASS GUITAR. PRICE £73.34 + £4.00 P&P
RES. FREQ. 39Hz, FREQ. RESP. TO 3KHz, SENS 103dB.

EARBENDERS:- HI-FI, STUDIO, IN-CAR, ETC

ALL EARBENDER UNITS 8 OHMS (Except EB8-50 & EB10-50 which are dual impedance tapped @ 4 & 8 ohms)
BASS, SINGLE CONE, HIGH COMPLIANCE, ROLLED SURROUND
8" 50watt EB8-50 DUAL IMPEDANCE, TAPPED 4/8 OHM BASS, HI-FI, IN-CAR. PRICE £8.90 + £2.00 P&P
RES. FREQ. 40Hz, FREQ. RESP. TO 7KHz SENS 97dB.
10" 50WATT EB10-50 DUAL IMPEDANCE, TAPPED 4/8 OHM BASS, HI-FI, IN-CAR. PRICE £13.65 + £2.50 P&P
RES. FREQ. 40Hz, FREQ. RESP. TO 5KHz, SENS 99dB.
10" 100WATT EB10-100 BASS, HI-FI, STUDIO. PRICE £30.39 + £3.50 P&P
RES. FREQ. 35Hz, FREQ. RESP. TO 3KHz, SENS 96dB.
12" 100WATT EB12-100 BASS, STUDIO, HI-FI, EXCELLENT DISCO. PRICE £42.12 + £3.50 P&P
RES. FREQ. 26Hz, FREQ. RESP. TO 3KHz, SENS 93dB.
FULL RANGE TWIN CONE, HIGH COMPLIANCE, ROLLED SURROUND
5 1/2" 60WATT EB5-60TC (TWIN CONE) HI-FI, MULTI-ARRAY DISCO ETC. PRICE £9.99 + £1.50 P&P
RES. FREQ. 63Hz, FREQ. RESP. TO 20KHz, SENS 92dB.
6 1/2" 60WATT EB6-60TC (TWIN CONE) HI-FI, MULTI-ARRAY DISCO ETC. PRICE £10.99 + 1.50 P&P
RES. FREQ. 38Hz, FREQ. RESP. TO 20KHz, SENS 94dB.
6" 60WATT EB8-60TC (TWIN CONE) HI-FI, MULTI-ARRAY DISCO ETC. PRICE £12.99 + £1.50 P&P
RES. FREQ. 40Hz, FREQ. RESP. TO 18KHz, SENS 89dB.
10" 60WATT EB10-60TC (TWIN CONE) HI-FI, MULTI ARRAY DISCO ETC. PRICE £16.49 + £2.00 P&P
RES. FREQ. 35Hz, FREQ. RESP. TO 12KHz, SENS 98dB.

TRANSMITTER HOBBY KITS

PROVEN TRANSMITTER DESIGNS INCLUDING GLASS FIBRE PRINTED CIRCUIT BOARD AND HIGH QUALITY COMPONENTS COMPLETE WITH CIRCUIT AND INSTRUCTIONS
3W TRANSMITTER 80-108MHz, VARICAP CONTROLLED PROFESSIONAL PERFORMANCE, RANGE UP TO 3 MILES, SIZE 38 x 123mm, SUPPLY 12V @ 0.5AMP. PRICE £14.85 + £1.00 P&P
FM MICRD TRANSMITTER 100-108MHz, VARICAP TUNED, COMPLETE WITH VERY SENS FET MIC, RANGE 100-300m, SIZE 56 x 46mm, SUPPLY 9V BATTERY. PRICE £8.80 + £1.00 P&P

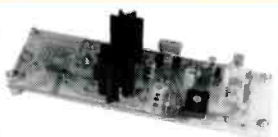


PHOTO: 3W FM TRANSMITTER

B.K. ELECTRONICS

UNITS 1 & 5 COMET WAY, SOUTHEND-ON-SEA, ESSEX, SS2 6TR. Tel.: 0702 - 527572 Fax.: 0702 - 420243



POSTAL CHARGES PER ORDER £1.00 MINIMUM. OFFICIAL ORDERS FROM SCHOOLS, COLLEGES, GOVT. BODIES, P.L.Cs ETC. PRICES INCLUSIVE OF V.A.T. SALES COUNTER VISA AND ACCESS ACCEPTED BY PDST, PHONE OR FAX.



NEW

FULL COLOUR GUIDE TO ELECTRONIC PRODUCTS

Sept 1994–Aug 1995

Maplin



BS 5750
Part 2 1987
Level B:
Quality Assurance
RS12750

Order your copy of the New MAPLIN Catalogue on sale NOW!
Pick up a copy from any branch of WHSMITH, branches of John Menzies in Scotland ONLY, Eason & Son in N. Ireland ONLY, and Maplin stores nationwide for just £3.45 or post this coupon now to receive your copy for just £3.95 inc. p&p. If you live outside the U.K. send £7.30 or 18 IRCs for Airmail, in Europe (including Republic of Ireland); £6.50 or 16 IRCs for surface mail outside Europe; or £12.30 or 30 IRCs for Airmail outside Europe. I enclose £3.95/£7.30/£6.50/£12.30 (delete as applicable).

Name
Address
Post Code
Send to Maplin Electronics,
P.O. Box 3, Royleigh,
Essex, England
SS6 8LR

Over 800 colour packed pages
with hundreds of Brand New
Products at Super Low Prices.

**OUT OF THIS WORLD
ON SALE NOW
ONLY
£3.45**

Available from all branches of WHSMITH, John Menzies in Scotland ONLY, Eason & Son in N. Ireland ONLY, and Maplin stores nationwide. The Maplin Electronics 1995 Catalogue – **OUT OF THIS WORLD!**