

EVERYDAY

MARCH 1997

PRACTICAL

ELECTRONICS

<http://www.epemag.wimborne.co.uk>

£2.45

**SIMPLE
DUAL OUTPUT
TENS UNIT**
Electronic Pain Relief



**VIDEO NEGATIVE
VIEWER**
*View colour negatives
with a camcorder*

**OIL CHECK
REMINDER**
*Don't run out of
heating oil*

**How To Use
INTELLIGENT
L.C.D.S – PART 2**
Driving the display with a PIC



THE No. 1
MAGAZINE FOR
ELECTRONICS TECHNOLOGY
& COMPUTER PROJECTS



RUSSIAN BORDER GUARD BINOCULARS £1799

Probably the best binoculars in the world! ring for brochure

VEGA RUSSIAN MULTIBAND World communications receiver, 9 wave bands, (5 short, 1 LW, 1 FM, 1 MW) internal ferrite and external telescopic aerials, mains or battery. Large, typically Russian radio £45 ref VEGA

NEW LASER POINTERS <5mw, 75 metre range, hand held unit runs on two AA batteries (supplied) 670nm. £29 ref DEC49

MULTIBAND RADIO Compact general purpose radio receiver covering air, pb, tv, cb etc. Squelch vol and tuning £24 ref MB1

DIVING RODS £3.99 a pair! ref EF114

MOONSHINE BIBLE 270 page book covering the production of alcohol from potatoes, rice, grains etc Drawings of simple home made stills right through to commercial systems. £12 ref MS3

NEW HIGH POWER MINI BUG With a range of 800 metres or more and up to 100 hours use from a PP3 this will be popular! Bug measures less than 1" square! £28 ref LOT102

BUILD YOUR OWN WINDFARM FROM SCRAP New publication gives step by step guide to building wind generators. Armed with this publication and a good local scrap yard could make you self sufficient in electricity! £12 ref LOT81

PC KEYBOARDS PS2 connector, top quality suitable for all 286/386/486 etc £10 ref PCKB. 10 for £65

TRACKING TRANSMITTER range 1.5-5 miles, 5,000 hours on AA batteries, also transmits info on car direction and motion/Works with any FM radio. 1.5" square. £65 ref LOT101

ELECTRIC DOOR LOCKS Complete lock with both Yale lock and 12v operated deadlock (keys included) £10 ref LOT99

SURVEILLANCE TELESCOPE Superb Russian zoom telescope adjustable from 15x to 60x! complete with metal tripod (impossible to use without this on the higher settings) 66mm lens, leather carrying case £149 ref BAR69

WIRELESS VIDEO BUG KIT Transmits video and audio signals from a miniature CCTV camera (included) to any standard television! All the components including a PP3 battery will fit into a cigarette packet with the lens requiring a hole about 3mm diameter. Supplied with telescopic aerial but a piece of wire about 4" long will still give a range of up to 100 metres. A single PP3 will probably give less than 1 hours use. £99 ref EP79 (probably not licensable!)

GPS SATELLITE NAVIGATION SYSTEM Made by Garmin, the GPS38 is hand held, pocket sized, 255g, position, altitude, graphic compass, map builder etc £179 ref GPS1.

CCTV CAMERA MODULES 46X70X29mm, 30 grams, 12v 100mA auto electronic shutter, 3.6mm F2 lens, CCIR, 512x492 pixels, video output is 1v p-p (75 ohm). Works directly into a scart or video input on a tv or video. IR sensitive. £79.95 ref EF137

IR LAMP KIT Suitable for the above camera, enables the camera to be used in total darkness! £6 ref EF138

INFRA RED POWERBEAM Handheld battery powered lamp, 4 inch reflector, krypton bulb, gives out powerful infrared light! 4 D cells required £29 ref PB1

MONO VGA MONITORS, Perfect condition, Compaq, 14", 3 months warranty £29 ref MVGA

SUPER WIDEBAND RADAR DETECTOR Detects both radar and laser, X K and KA bands, 360 degree coverage, front and rear wave guides, may be illegal to use! 1.1"x2.7"x4.6" £149 ref RD2

9 WATT CHIEFTAN TANK LASERS

Double beam units designed to fit in the gun barrel of a tank, each unit has two semi conductor lasers and motor drive units for alignment 7 mile range, no circuit diagrams due to MOD, new price £50,000? us? £199. Each unit has two gallium Arsenide injection lasers, 1 x 9 watt, 1 x 3 watt, 900nm wavelength, 28vdc, 600hz pulse frequency. The units also contain an electronic receiver to detect reflected signals from targets. £199 for one. Ref LOT4

TWO WAY MIRROR KIT Includes special adhesive film to make two way mirror(s) up to 60"x20". (glass not included) includes full instructions. £12 ref TW1

NEW LOW PRICED COMPUTER/WORKSHOP/HI-FI RCB UNITS Complete protection from faulty equipment for everybody! Inline unit fits in standard IEC lead (extends it by 750mm), fitted in less than 10 seconds, reset/test button, 10A rating. £6.99 each ref LOT5. Or a pack of 10 at £49.90 ref LOT6. If you want a box of 100 you can have one for £250!

WIND UP FLYING PARROT! Genuine parrot that flaps its wings and flies for up to 50 meters £6 ref EF2

RADIO CONTROLLED CARS FROM £6 EACH!!!! All returns from famous manufacturer, single channel (left, right, forwards, backwards) £6 ref LOT1. Two channel with more features £12 ref LOT2.

THOUSANDS AVAILABLE RING/FAX FOR DETAILS!
MAGNETIC CARD READERS (Swipes) £9.95 Cased with filelays, designed to read standard credit cards! they have 3 wires coming out of the head so they may write as well? complete with control electronics PCB, just £9.95 ref BAR31

WANT TO MAKE SOME MONEY? STUCK FOR AN IDEA? We have collated 140 business manuals that give you information on setting up different businesses, you perse these at your leisure using the text editor on your PC. Also included is the certificate enabling you to reproduce (and sell) the manuals as much as you like! £14 ref EP74

COIN OPERATED TIMER KIT Complete with coin slot mechanism, adjustable time delay, relay output, put a coin slot on anything you like! TV's, videos, fridges, drinks cupboards, HiFi, takes 50p's and £1 coins. DC operated, price just £7.99 ref BAR27.
ZENITH 900 X MAGNIFICATION MICROSCOPE Zoom, metal construction, built in light, shrimp farm, group viewing screen, lots of accessories. £29 ref ANAYLT.

AA NICAD PACK Pack of 4 tagged AA nicads £2.99 ref BAR34
NIGHTSIGHTS Model TZS4 with infra red illuminator, views up to 75 metres in full darkness in infrared mode, 150m range, 45mm lens, 13 deg angle of view, focussing range 1.5m to infinity. 2 AA batteries required 950g weight. £199 ref BAR61. 1 years warranty
LIQUID CRYSTAL DISPLAYS Bargain prices,
16 character 2 line, 99x24mm £2.99 ref SM1623A
20 character 2 line, 83x19mm £3.99 ref SM2020A
16 character 4 line, 62x25mm £5.99 ref SMC1640A

TAL-1, 110MM NEWTONIAN REFLECTOR TELESCOPE

Russian Superb astronomical 'scope, everything you need for some serious star gazing! up to 169x magnification. Send or fax for further information ref TAL-1, £249

SOLAR ENERGY/GENERATOR PLANS For your home, loads of info on designing systems etc £7 ref PV1

SOLAR COOKERS Comprehensive guide to building solar powered cookers, includes plans, recipes, cooking times etc £7 ref SBC1

WOLVERHAMPTON ELECTRONICS STORE

NOW OPEN IN WORCESTER ST

TEL 01902 22039

CENTRAL POINT PC TOOLS Award winning software, 1,300 virus checker, memory optimiser, disc optimiser, file compression, low level formatting, backup scheduler, disk defragmenter, undelete, 4 calculators, Dbase, disc editor, over 40 viewers, remote computing, password protection, encryption, comprehensive manual supplied etc £8 ref lot 97 3.5" disks

COLOUR CCTV VIDEO CAMERAS, BRAND NEW AND, CASED, £119.

PERFECT FOR SURVEILLANCE, INTERNET, VIDEOCONFERENCING, SECURITY, DOMESTIC VIDEO

Works with most modern video's, TV's, Composite monitors, video grabber cards etc Pal, 1v P-P, composite, 75ohm, 1/3" CCD, 4mm F2.8, 500x582, 12vdc, mounting bracket, auto shutter, 100x50x180mm, 3 months warranty, 10 or more £99 ea
MICRO RADIO It's tiny, just 3/8" thick, auto tuning, complete with headphones. FM £9.99 ref EP35

HANDHELD SCANNERS 10 channel, built in charger, LCD display £119 ref B110B, 100 channel model £229 ref B110E

SMOKE MACHINE 42.3 cubic metres a min from this mains operated machine £299 ref G002B, smoke fluid £25 (5 litres) gives about 2.5 hours use. ref G002AA

Check out our WEB SITE

full colour interactive 1997 catalogue
<http://www.pavilion.co.uk/bull-electrical>

IBM PS2 MODEL 150Z CASE AND POWER SUPPLY

Complete with fan etc and 200 watt power supply. £9.95 ref EP67

1.44 DISC DRIVES Standard PC 3.5" drives but returns so they will need attention **SALE PRICE £4.99** ref EP68

1.2 DISC DRIVES Standard 5.25" drives but returns so they will need attention **SALE PRICE NOW ONLY £3.50** ref EP69

PP3 NICADS Unused but some storage marks. £4.99 ref EP52

GAS HOBS AND OVENS Brand new gas appliances, perfect for small flats etc. Basic 3 burner hob £19 ref BAR316. Basic small built in oven **SALE PRICE £59** ref EP73

ENERGY BANK KIT 100 6"x6" 6v 100mA panels, 100 diodes, connection details etc. £99 ref EF112

PASTEL ACCOUNTS SOFTWARE, does everything for all sizes of businesses, includes wordprocessor, report writer, windowing, networkable up to 10 stations, multiple cash books etc. 200 page comprehensive manual. 90 days free technical support (01342-326009 try before you buy!) **SALE PRICE £9.95** ref SA12. **SAVE £120!!!**

PC PAL VGA TO TV CONVERTER Converts a colour TV into a basic VGA screen. Complete with built in psu, lead and s/ware. Ideal for laptops or a cheap upgrade. Supplied in kit form for home assembly. **SALE PRICE £25** ref SA34

YUASHA SEALED LEAD ACID BATTERIES Two sizes currently available this month. 12v 15AH at £18 ref LOT8 and 6v 10AH at just £6 ref LOT7

ELECTRIC CAR WINDOW DE-ICERS Complete with cable, plug etc **SALE PRICE JUST £4.99** ref SA28

AUTO SUNCHARGER 155x300mm solar panel with diode and 3

BULL ELECTRICAL

250 PORTLAND ROAD, HOVE, SUSSEX.
BN3 5QT. (ESTABLISHED 50 YEARS).

MAIL ORDER TERMS: CASH, PO OR CHEQUE
WITH ORDER PLUS £3.50 P&P PLUS VAT.
24 HOUR SERVICE £4.50 PLUS VAT.
OVERSEAS ORDERS AT COST PLUS £3.50

PLEASE ALLOW 7-10 DAYS FOR DELIVERY PHONE ORDERS WELCOME (ACCESS, VISA, SWITCH, AMERICAN EXPRESS)

TEL: 01273 203500
FAX 01273 323077
E-mail bull@pavilion.co.uk

metre lead fitted with a cigar plug. 12v 2watt. £12.99 REF AUG10P3

PROJECT STRIPPERS Small cased UNITS ideal for stripping, lots of useful goodies including a smart case 120X150X50mm with feet etc., and lots of components. **SALE PRICE JUST £10 FOR FIVE** REF MD1 or a pack of 20 for £19.95 ref MD2

SOLAR POWER LAB SPECIAL You get TWO 6"x6" 6v 130mA solar cells, 4 LEDs, wire, buzzer, switch plus 1 relay or motor. Superb value kit **SALE PRICE JUST £4.99** REF SA27

13.8V 1.9A PSU cased with leads Just £9.99 REF MAG10P3

UNIVERSAL SPEED CONTROLLER KIT Designed by us for the C5 motor but ok for any 12v motor up to 30A. Complete with PCB etc. A heat sink may be required. £17.00 REF: MAG17

SOLAR NICAD CHARGERS 4 x AA size £9.99 ref 6P476, 2 x C size £9.99 ref 6P477

VIEWDATA SYSTEMS made by Phillips, complete with internal 1200/75 modem, keyboard, psu etc RGB and composite outputs, menu driven, autodialler etc. **SALE PRICE £12.99** REF SA18

MEGA POWER BINOCULARS Made by Helios, 20 x magnification, precision ground fully coated optics, 60mm objectives, shock resistant caged prisms, case and neck strap. £89 ref HPH1

GIANT HOT AIR BALLOON KIT Build a 4.5m circumference, 1.8m high fully functioning balloon, can be launched with home made burner etc. Reusable (until you loose it!) £12.50 ref HA1

AIR RIFLES .22 As used by the Chinese army for training purposes, so there is a lot about! £39.95 Ref EF78. 500 pellets £4.50 ref EF80.

VIDEO SENDER UNIT. Transmits both audio and video signals from either a video camera, video recorder, TV or Computer etc to any standard TV set in a 100' range! (tune TV to a spare channel) 12V DC op. Price is £25 REF: MAG15. 12v psu is £5 extra REF: MAG5P2

***MINIATURE RADIO TRANSCIVERS** A pair of walkie talkies with a range up to 2km in open country. Units measure 22x52x155mm. Including cases and earpieces. 2xPP3 req'd. £37.00 pr. REF: MAG30

***FM TRANSMITTER KIT** housed in a standard working 13A adapter! the bug runs directly off the mains so lasts forever! why pay £700? or price is £18 REF: EF62 (kit) Transmits to any FM radio. Built and tested version now available of the above unit at £45 ref EXM34

***FM BUG BUILT AND TESTED** superior design to kit. Supplied to detective agencies. 9v battery req'd. £14 REF: MAG14

GAT AIR PISTOL PACK Complete with pistol, darts and pellets £14.95 Ref EF82B extra pellets (500) £4.50 ref EF80.

6"X12" AMORPHOUS SOLAR PANEL 12v 155x310mm 130mA. **SALE PRICE £4.99** REF SA24.

FIBRE OPTIC CABLE BUMPER PACK 10 metres for £4.99 ref MAG5P13 ideal for experimenters! 30 m for £12.99 ref MAG13P1

MIXED GOODIES BOX OF MIXED COMPONENTS WEIGHING 2 KILOS YOURS FOR JUST £5.99

4X28 TELESCOPIC SIGHTS Suitable for all air rifles, ground lenses, good light gathering properties. £24.95 ref R/7

GYROSCOPES Remember these? well we have found a company that still manufactures these popular scientific toys, perfect gift or for educational use etc. £6 ref EP70

HYPOTHERMIA SPACE BLANKET 215x150cm aluminised foil blanket, reflects more than 90% of body heat. Also suitable for the construction of two way mirrors! £3.99 each ref O/L041.

NICAD CHARGERS AND BATTERIES Standard universal mains operated charger, takes 4 batts + 1 PP3, £10 ref PO11D. Nicads- AA size (4 pack) £4 ref 4P44, C size (2 pack) £4 ref 4P73, D size (4 pack) £9 ref 9P12.

LENSTAC RANGER COMPASS Oil filled capsule, strong metal case, large luminous points. Sight line with magnifying viewer. 50mm dia, 86gm. £10.99 ref O/K604

RECHARGE ORDINARY BATTERIES UP TO 10 TIMES! With the Battery Wizard! Uses the latest pulse wave charge system to charge all popular brands of ordinary batteries AAA, AA, C, D, four at a time! Led system shows when batteries are charged, automatically rejects unsuitable cells, complete with mains adapter. BS approved. Price is £21.95 ref EP31.

TALKING WATCH Yes, it actually tells you the time at the press of a button. Also features a voice alarm that wakes you up and tells you what the time is! Lithium cell included. £7.99 ref EP26

RUBBER COATED HELIOS Binoculars, 10 x 25, fully coated optics. £45 ref RP1, same spec but nitrogen filled and waterproof £75 ref RP2

PHOTOGRAPHIC RADAR TRAPS CAN COST YOU YOUR LICENCE! The new multiband 2000 radar detector can prevent even the most responsible of drivers from losing their licence! Adjustable audible alarm with 8 flashing leds gives instant warning of radar zones. Detects X, K, and Ka bands, 3 mile range, 'over the hill' 'around bends' and 'rear trap' facilities. micro size just 4.25"x2.5"x.75". Can pay for itself in just one day! £89 ref EP3

3" DISCS As used on older Amstrad machines, Spectrum plus3's etc £3 each ref BAR400

STEREO MICROSCOPES BACK IN STOCK Russian, 200x complete with lenses, lights, filters etc etc very comprehensive microscope that would normally be around the £700 mark, our price is just £299 (full money back guarantee) full details in catalogue

SECOND GENERATION NIGHT SIGHTS FROM £748

RETRON Russian night sight, 1.8x, infra red lamp, 10m-Inf, standard M42 lens, 1.1kg. £349 ref RET1

LOW COST CORDESS MIC 500' range, 90 - 105mhz, 115g, 193 x 26 x 39mm, 9v PP3 battery required. £17 ref MAG15P1

SAE FOR FREE COLOUR CATALOGUE

*SOME OF OUR PRODUCTS MAY BE UNLICENSABLE IN THE UK

WE BUY SURPLUS STOCK FOR CASH

SURPLUS STOCK LINE 0802 660377



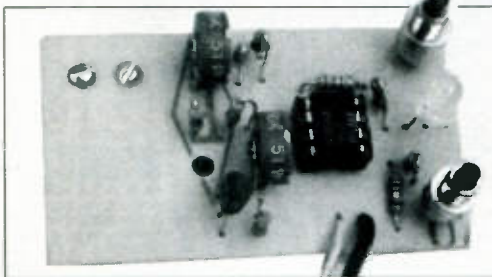
Projects and Circuits

- SIMPLE DUAL-OUTPUT TENS UNIT** by Andy Flind 156
Pain can be relieved for 70 per cent of TENS unit users, so research figures suggest. This low-cost unit might help you
- VIDEO NEGATIVE VIEWER** by Robert Penfold 168
Use your camcorder to view those negative slides as positive images
- TRI-COLOUR NiCad CHECKER** by Terry de Vaux-Balbirnie 180
A quick and easy method of checking NiCad battery condition
- HOW TO USE INTELLIGENT L.C.D.S - 2** by Julyan Ilett 192
How to easily put your l.c.d. under PIC microcontroller command
- OIL CHECK REMINDER** by David Smith 198
Do you know when you need central heating oil delivered? Here's a timely reminder you can't ignore.
- INTERFACE** by Robert Penfold 204
PC-control of digital signal generation frequencies
- INGENUITY UNLIMITED** hosted by Alan Winstanley 208
CMOS Audio Selector Circuit; 3-Input Stereo Selector; Motor Output Stage



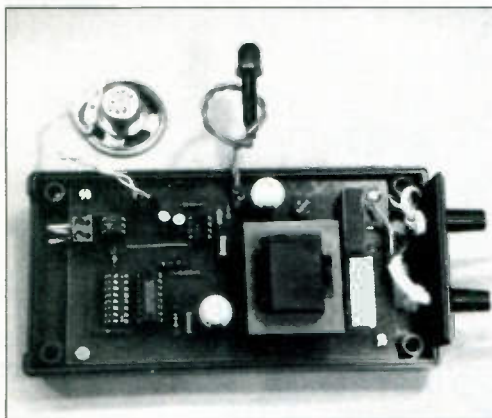
Series and Features

- NEW TECHNOLOGY UPDATE** by Ian Poole 165
Alternative materials offer tougher and "plastic" semiconductors
- BUILD YOUR OWN PROJECTS** by Alan Winstanley 174
Part 5: The final check-out: appearances; interconnections; wire types and ratings; hardware miscellany; and footing your feet!
- DIGITAL TV - THE REALITY** by Barry Fox 186
Power, politics and market forces are controlling Digital TV's future as much as the technicalities
- CIRCUIT SURGERY** by Alan Winstanley 190
Dubious Darlingtons; Counter Intelligence; Heavy Metal (Batteries)
- NET WORK - THE INTERNET PAGE** surfed by Alan Winstanley 212
What's New on the EPE Web Site; Internet Strangulation; Looking Ahead; Latest Links



Regulars and Services

- EDITORIAL** 155
- FOX REPORT** by Barry Fox 162
Intel, the world's largest manufacturer of microprocessors, remains secretive about its techniques
- INNOVATIONS** 166
Everyday news from the world of electronics
- SHOPTALK** with David Barrington 183
Component buying for EPE projects
- BACK ISSUES** Did you miss these? 184
- FAX ON DEMAND** 185
Need a recent EPE article now? Dial our "instant" response Service!
- DIRECT BOOK SERVICE** 206
A wide range of technical books available by mail order
- PRINTED CIRCUIT BOARD SERVICE** 210
PCBs for EPE projects - some at "knockdown" prices! Plus EPE software
- ELECTRONICS VIDEOS** 213
Our range of educational videos
- ADVERTISERS INDEX** 216



© Wimborne Publishing Ltd 1997. Copyright in all drawings, photographs and articles published in EVERYDAY PRACTICAL ELECTRONICS is fully protected, and reproduction or imitations in whole or in part are expressly forbidden.

Our April '97 Issue will be published on Friday, 7 March 1997. See page 185 for details.

Everyday Practical Electronics, March 1997

Readers Services • Editorial and Advertisement Departments 155

Surplus always wanted for cash!

THE ORIGINAL SURPLUS WONDERLAND!

THIS MONTH'S SELECTION FROM OUR VAST EVER CHANGING STOCKS

Surplus always wanted for cash!

LOW COST PC's -

SPECIAL BUY 'AT 286'

40Mb HD + 3Mb Ram



LIMITED QUANTITY only of these 12MHz HI GRADE 286 systems Made in the USA to an industrial specification, the system was designed for total reliability. The compact case houses the motherboard, PSU and EGA video card with single 5 1/4" 1.2 Mb floppy disk drive + Integral 40Mb hard disk drive to the front. Real time clock with battery backup is provided as standard. Supplied in good used condition complete with enhanced keyboard, 640K + 2Mb RAM, DOS 4.01 and 90 DAY Full Guarantee. Ready to Run!
Order as HIGRADE 286 **ONLY £129.00 (E)**

Optional Fitted extras: VGA graphics card	£29.00
1.44Mb 3 1/2" floppy disk drive (instead of 1.2 Mb)	£19.95
Wordperfect 6.0 for Dos - when 3 1/2" FDD option ordered	£22.50
NE2000 Ethernet (thick, thin or twisted) network card	£29.00

LOW COST 486DX-33 SYSTEM

Limited quantity of this 2nd year, superb small size desktop unit. Fully featured with standard simm connectors 30 & 72 pin. Supplied with keyboard, 4 Mb of RAM, SVGA monitor output, 256k cache and integral 120 Mb IDE drive with single 1.44 Mb 3.5" floppy disk drive. Fully tested and guaranteed. **Only £399.00 (E)**
Many other options available - call for details.

FLOPPY DISK DRIVES 3 1/2" - 8"

5 1/4" or 3 1/2" from only £18.95!

Massive purchases of standard 5 1/4" and 3 1/2" drives enables us to present prime product at industry beating low prices! All units (unless stated) are BRAND NEW or removed from often brand new equipment and are fully tested, aligned and shipped to you with a 90 day guarantee and operate from standard voltages and are of standard size. All are IBM PC compatible (if 3 1/2" supported on your PC).

3 1/2" Panasonic JU3834 720K or equivalent RFE	£24.95 (B)
3 1/2" Mitsubishi MF355C-L 1.4 Meg. Laptops only	£25.95 (B)
3 1/2" Mitsubishi MF355C-D 1.4 Meg. Non laptop	£18.95 (B)
5 1/4" Teac FD-55GFR 1.2 Meg (for IBM pc's) RFE	£18.95 (B)
5 1/4" Teac FD-55F-03-U 720K 40/80 (for BBC's etc) RFE	£29.95 (B)
5 1/4" BRAND NEW Mitsubishi MF501B 360K	£22.95 (B)
Table top case with integral PSU for HI 5 1/4" Flopp or HD	£29.95 (B)
8" Shugart 800/801 8" SS refurbished & tested	£195.00 (E)
8" Shugart 810 8" SS HI Brand New	£195.00 (E)
8" Shugart 851 8" double sided refurbished & tested	£250.00 (E)
Mitsubishi M2894-63 8" double sided NEW	£275.00 (E)
Mitsubishi M2896-63-02U 8" DS slimline NEW	£285.00 (E)
Dual 8" cased drives with integral power supply 2 Mb	£499.00 (E)

HARD DISK DRIVES

End of line purchase scoop! Brand new NEC D2246 8" 85 Mbyte drive with industry standard SMD Interface, replaces Fujitsu equivalent model. Full manual. Only £299.00 or 2 for £525.00 (E)

3 1/2" FUJI FK-309-26 20mb MFM I/F RFE	£59.95 (C)
3 1/2" CONNER CP3024 20mb IDE I/F (or equiv.) RFE	£59.95 (C)
3 1/2" CONNER CP3044 40mb IDE I/F (or equiv.) RFE	£69.00 (C)
3 1/2" RODIME R03057S 45mb SCSI I/F (Mac & Acorn)	£69.00 (C)
3 1/2" WESTERN DIGITAL 850mb IDE I/F Brand New	£185.00 (C)
5 1/4" MESSERIE 3425 20mb MFM I/F (or equiv.) RFE	£49.95 (C)
5 1/4" SEAGATE ST-238R 30 mb RLL I/F Refurb	£69.95 (C)
5 1/4" CDC 94205-51 40mb HH MFM I/F RFE tested	£69.95 (C)
5 1/4" HP 9754B 850 Mb SCSI RFE tested	£89.00 (C)
5 1/4" HP C3010 2 Gbyte SCSI differential RFE tested	£195.00 (C)
8" FUJITSU W322K 160Mb SMD I/F RFE tested	£195.00 (E)

Hard disc controllers for MFM, IDE, SCSI, RLL etc. from £16.95

THE AMAZING TELEBOX

Converts your colour monitor into a QUALITY COLOUR TV!!



TV SOUND & VIDEO TUNER
CABLE COMPATIBLE

The TELEBOX is an attractive fully cased mains powered unit, containing all electronics ready to plug into a host of video monitors made by makers such as MICROVITEC, ATARI, SANYO, SONY, COMMODORE, PHILIPS, TATUNG, AMSTRAD etc. The composite video output will also plug directly into most video recorders, allowing reception of TV channels not normally receivable on most television receivers* (TELEBOX MB). Push button controls on the front panel allow reception of 8 fully tunable 'off air' UHF colour television channels. TELEBOX MB covers virtually all television frequencies VHF and UHF including the HYPERBAND as used by most cable TV operators. A composite video output is located on the rear panel for direct connection to most makes of monitor or desktop computer video systems. For complete compatibility - even for monitors without sound - an integral 4 watt audio amplifier and low level Hi Fi audio output are provided as standard.

TELEBOX ST for composite video input type monitors	£36.95
TELEBOX STL as ST but fitted with integral speaker	£39.50
TELEBOX MB Multiband VHF/UHF/Cable/Hyperband tuner	£69.95

For overseas PAL versions state 5.5 or 6 mHz sound specification. *For cable / hyperband reception Telebox MB should be connected to a cable type service. Shipping code on all Teleboxes is (B)

DC POWER SUPPLIES

Virtually every type of power supply you can imagine. Over 10,000 Power Supplies Ex Stock
Call for info / list.

IC's - TRANSISTORS - DIODES

OBSOLETE - SHORT SUPPLY - BULK

6,000,000 items EX STOCK

For MAJOR SAVINGS - CALL FOR SEMICONDUCTOR HOTLIST

VIDEO MONITOR SPECIALS

One of the highest specification monitors you will ever see - At this price - Don't miss it!!

Mitsubishi FA3415ETKL 14" SVGA Multisync colour monitor with fine 0.28 dot pitch tube and resolution of 1024 x 768. A variety of inputs allows connection to a host of computers including IBM PC's in CGA, EGA, VGA & SVGA modes, BBC, COMMODORE (including Amiga 1200), ARCHIMEDES and APPLE. Many features: Etched facplate, test switching and LOW RADIATION MPPR specification. Fully guaranteed, supplied in EXCEL-

LENT little used condition. Tilt & Swivel Base £4.75
VGA cable for IBM PC Included.
External cables for other types of computers CALL

As New - Used on film set for 1 week only!!
15" 0.28 SVGA 1024 x 768 res. colour monitors.
Swivel & tilt etc. Full 90 day guarantee. £145.00 (E)

Just In - Microvitec 20" VGA (800 x 600 res.) colour monitors. Good SH condition - from £299 - CALL for info

PHILIPS HCS35 (same style as CM8833) attractively styled 14" colour monitor with both RGB and standard composite 15.825 KHz video inputs via SCART socket and separate phono jacks. Integral audio power amp and speaker for all audio visual uses. Will connect direct to Amiga and Atari BBC computers. Ideal for all video monitoring / security applications with direct connection to most colour cameras. High quality with many features such as front concealed flt controls, VCR correction button etc. Good used condition - fully tested - guaranteed
Dimensions: W14" x H12 1/4" x 15 1/2" D
Only £95 (E)

PHILIPS HCS31 Ultra compact 9" colour video monitor with standard composite 15.825 KHz video input via SCART socket. Ideal for all monitoring / security applications. High quality, ex-equipment fully tested & guaranteed (possible minor screen burns). In attractive square black plastic case measuring W10" x H10" x 1 3/4" D. 240 V AC mains powered.
Only £79.00 (D)

KME 10" 15M10009 defn colour monitors with 0.28" dot pitch. Superb clarity and modern styling. Operates from any 15.625 kHz sync RGB video source, with RGB analog and composite sync such as Atari, Commodore Amiga, Acorn Archimedes & BBC. Measures only 13 1/2" x 12" x 1 1/2". Good used condition.
Only £125 (E)

20" 22" and 26" AV SPECIALS

Superbly made UK manufacture. PIL all solid state colour monitors, complete with composite video & optional sound input. Attractive teak style case. Perfect for Schools, Shops, Disco, Clubs, etc. In EXCELLENT little used condition with full 90 day guarantee.

20"....£135 22"....£155 26"....£185 (F)

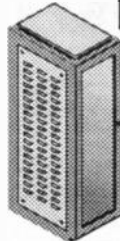
SPECIAL INTEREST ITEMS

MITS. FA3445ETKL 14" Industrial spec SVGA monitors 2Kw to 400 kw - 400 Hz 3 phase power sources - ex stock	£245 EPOA
IBM 8230 Token 1, Token ring base unit driver	£950
IBM 53F5501 Type Ring ICS 20 port lobe modules	£750
IBM MAU Token ring distribution panel 8228-23-5050N	£95
AM 501 Low distortion Oscillator 9Hz to 330KHz, IEEE	£350
Trend DSA 274 Data Analyser with G703(ZM) 64 bit	£6500
Marconi 6310 Programmable 2 to 22 GHz sweep generator	£3750
HP1650B Logic Analyser	£950
HP3781A Pattern generator & HP3782A Error Detector	£950
HP APOLLO RX700 system units	£1800
HP6621A Dual Programmable GPIB PSU 0-7 V 160 watts	£175
HP3081A Industria workstation ch Barcode swipe reader	£675
HP6264 Rack mount variable 0-20V @ 20A metered PSU	£1850
HP54121A DC to 22 GHz four channel test set	£650
HP7580A A 18 pen HPGL high speed drum plotter	£1850
EG-G Brookdale 95035C Precision lock in amp	£650
Veng Eng. Mod 1200 computerised inspection system	£1425
Ling Dynamics 2Kw programmable vibration test system	£3750
Computer controlled 1056 x 500 mm to Y table & controller	£9500
Keithley 616 CV capacitor / voltage analyser	£2200
Recal ICR40 dual 40 channel video recorder system	£1200
Fiskara 45KVA 3 ph On Line UPS - New batts Dec. 1995	£1150
ICI RS030UV34 Cleanline ultrasonic cleaning system	£1450
Mann Tally MT645 High speed line printer	£550
Intel SBC 486/133SE Multibus 486 system, 8Mb Ram	£1250
Zeta 3220-05 A0 4 hp HPGL fast drum plotters	£2200
Nikon HFX-11 (Ephiphot) exposure control unit	£1200
Motorola VME Bus Boards & Components List. SAE / CALL	£1150
Trío 0-18 vdc linear, metered 30 amp bench PSU. New	£550
Fujitsu M3041D 600 LPM band printer	£1950
Fujitsu M3041D 600 LPM printer with network interface	£1250
Perkin Elmer 2998 infrared spectrophotometer	£3750
VG Electronics 1095 TELETEXT Decoding Margin Meter	£950
Andrews LARG 3.1 m Satellite Dish + mount (For Voyager)	£1995
Sekonic SD 150H 18 channel digital Hybrid chart recorder	£750
TAYLOR HOBSON Tallysur amplifier / recorder	£485
System Video 1152 PAL waveform monitor	£300
Test Lab - 2 mir space quietised acoustic test cabinets	£850
Kenwood 9601 PAL Vectorscope - NEW	

Please call for further details on the above items

19" RACK CABINETS

Superb quality 6 foot 40U
Virtually New, Ultra Smart
Less than Half Price!

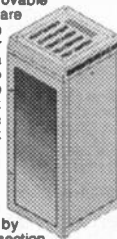


Top quality 19" rack cabinets made in UK by Optima Enclosures Ltd. Units feature designer, smoked acrylic lockable front door, full height lockable half louvered back door and louvered removable side panels. Fully adjustable internal fixing struts, ready punched for any configuration of equipment mounting plus ready mounted integral 12 way 13 pin socket switched mains distribution strip make these racks some of the most versatile we have ever sold. Racks may be stacked side by side and therefore require only two side panels to stand singly or in multiple bays. Overall dimensions are: 77 1/2" H x 32 1/2" D x 22" W. Order as:

OPT Rack 1 Complete with removable side panels.	£335.00 (G)
OPT Rack 2 Rack, Less side panels	£225.00 (G)

32U - High Quality - All steel RakCab

Made by Eurocraft Enclosures Ltd to the highest possible spec, rack features all steel construction with removable side, front and back doors. Front and back doors are hinged for easy access and all are lockable with five secure 5 lever barrel locks. The front door is constructed of double walled steel with a 'designer style' smoked acrylic front panel to enable status indicators to be seen through the panel, yet remain unobtrusive. Internally the rack features fully slotted reinforced vertical fixing members to take the heaviest of 19" rack equipment. The two movable vertical fixing struts (extras available) are pre punched for standard 'cage nuts'. A mains distribution panel internally mounted to the bottom rear, provides 8 IEC 3 pin Euro sockets and 1 x 13 amp 3 pin switched utility socket. Overall ventilation is provided by fully louvered back door and double skinned top section with top and side louvers. The top panel may be removed for fitting of integral fans to the sub plate etc. Other features include: fitted castors and floor levelers, prepunched utility panel at lower rear for cable / connector access etc. Supplied in excellent, slightly used condition with keys. Colour Royal blue. External dimensions mm=1625H x 635D x 603 W. (64" H x 25" D x 23 3/4" W)



Sold at LESS than a third of makers price !!

A superb buy at only £195.00 (G)

Over 1000 racks - 19" 22" & 24" wide
3 to 44 U high. Available from stock !!
Call with your requirements.

TOUCH SCREEN SYSTEM

The ultimate in 'Touch Screen Technology' made by the experts - MicroTouch - but sold at a price below cost !! System consists of a flat translucent glass laminated panel measuring 23.5 x 23.5 cm connected to an electric controller PCB. The controller produces a standard serial RS232 or TTL output which continuously gives simple serial data representing positional X & Y co-ordinates as to where a finger is touching the panel - as the finger moves, the data instantly changes. The X & Y information is given at an incredible matrix resolution of 1024 x 1024 positions over the entire screen size !! A host of available translation software enables direct connection to a PC for a myriad of applications including: control panels, pointing devices, POS systems, controllers for the disabled or computer un-trained etc. (Imagine using your finger with 'Windows', instead of a mouse !! (a driver is indeed available !!) The applications for this amazing product are only limited by your imagination!! Complete system including Controller, Power Supply and Data supplied at an incredible price of only **£145.00 (B)**
Full MicroTouch software support pack and manual for IBM compatible PC's £28.95 RFE - Tested

LOW COST RAM & CPU'S

INTEL 'ABOVE' Memory Expansion Board. Full length PC-XT and PC-AT compatible card with 2 Mbytes of memory on board. Card is fully selectable for Expanded or Extended (288 processor and above) memory. Full data and driver disks supplied. RFE. £39.95(A1)
Half length 8 bit memory upgrade cards for PC AT XT expanded memory either 256k or 512k in 64k steps. May also be used to fill in RAM above 640k DOS limit. Complete with data.
Order as: XT RAM UG 256K. £34.95 or 512K £39.95 (A1)

SIMM SPECIALS

1 MB x 9 SIMM 9 chip 120ns	Only £16.50 (A1)
1 MB x 9 SIMM 3 chip 80 ns	£19.50 or 70ns £22.95 (A1)
1 MB x 9 SIMM 9 chip 80 ns	£21.50 or 70ns £23.75 (A1)
4 MB 70 ns 72 pin SIMM - with parity	Only £95.00 (A1)
INTEL 486-DX33 CPU £55.00 INTEL 486-DX66 CPU £69.00 (A1)	

FULL RANGE OF CO-PROCESSOR'S EX STOCK - CALL FOR LIST

FANS & BLOWERS

EPSON D0412 40x40x20 mm 12V DC	£7.95 10 / £65
PAPST TYPE 812 60x60x25 mm 12V DC	£8.95 10 / £75
MITSUBISHI MMF-D6D12D 60x60x25 mm 12V DC	£4.95 10 / £42
MITSUBISHI MMF-08C12D 80x80x25 mm 12V DC	£5.25 10 / £49
MITSUBISHI MMF-09B12D 92x92x25 mm 12V DC	£5.95 10 / £53
PANCAKE 12-3.5 92x92x18 mm 12V DC	£7.95 10 / £69
EX-EQUIP AC fans. ALL TESTED 120 x 120 x 38 mm specify 110 or 240 v £6.95. 80 x 80 x 38 mm - specify 110 or 240 v £5.95	
IMHOF B26 1900 rack mnt 3U x 19" Blower 110/240v NEW	£79.95

Shipping on all fans (A). Blowers (B). 50,000 Fans Ex Stock CALL

Issue 13 of Display News now available - send large SAE - PACKED with bargains!

display
-ELECTRONICS-

ALL MAIL & OFFICES
Open Mon-Fri 9.00-5.30
Dept PE. 32 Biggin Way
Upper Norwood
LONDON SE18 3XF

LONDON SHOP
Open Mon - Sat 9:00 - 5:30
215 Whitehorse Lane
South Norwood
On 68A Bus Route
N. Thornton Heath &
Selhurst Park SR Rail Stations

NEW DISTEL
The Original
FREE On line Database
Info on 20,000 + stock items!
RETURNING SOON!

ALL ENQUIRIES
0181 679 4414
FAX 0181 679 1927

All prices for UK Mainland. UK customers add 17.5% VAT to TOTAL order amount. Minimum order £10. Bona Fide account orders accepted from Government, Schools, Universities and Local Authorities - minimum account order £50. Cheques over £100 are subject to 10 working days clearance. Carriage charges (A)=£3.00, (B)=£4.00, (C)=£5.50, (D)=£12.00, (E)=£15.00, (F)=£18.00, (G)=CALL. Allow approx 8 days for shipping - lesser CALL. Scotland surcharge CALL. All goods supplied to our Standard Conditions of Sale and unless stated guaranteed for 90 days. All guarantees on a return to base basis. All rights reserved to change prices / specifications without prior notice. Orders subject to stock. Discounts for volume. Top CASH prices paid for surplus goods. All trademarks etc acknowledged. © Display Electronics 1988. E & O E 086



Transform your PC

into a digital oscilloscope, spectrum analyser, frequency meter, voltmeter, data logger .. for as little as £49.00

Pico's Virtual Instrumentation enable you to use your computer as a variety of useful test and measurement instruments or as an advanced data logger.

Hardware and software are supplied together as a package - no more worries about incompatibility and no programming required.

Pico Technology specialises only in the development of PC based data acquisition instrumentation. We have the product range and experience to help solve your test and measurement problem.

**Call for your guide on 'Virtual Instrumentation'.
We are here to help you.**



The ADC-10 supplied with PicoScope gives your computer a single channel of analog input.

ADC-10 £49
with PicoLog £59

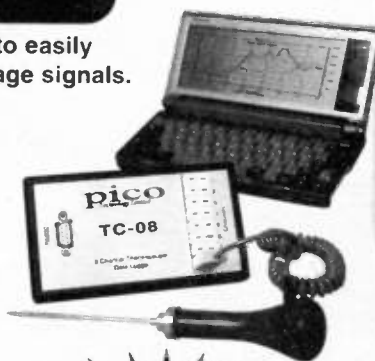
Data Logging

Pico's range of PC based data logging products enable you to easily measure, display and record temperature, pressure and voltage signals.

TC-08 Thermocouple to PC Converter

- Supplied with PicoLog data logging software for advanced temperature processing, min/max detection and alarm.
- 8 Thermocouple inputs
- No power supply required.

TC-08 £199 TC-08 £224 with cal. Cert.
complete with serial cable & adaptor. Thermocouple probes available.



Virtual Instrumentation

Pico's PC based oscilloscopes simply plug into the parallel port turning your PC into a fully featured oscilloscope, spectrum analyser and meter. Windows and DOS software supplied.

ADC-100 Dual Channel 12 bit resolution

The ADC-100 offers both a high sampling rate 100kHz and a high resolution. Flexible input ranges ($\pm 50\text{mV}$ to $\pm 20\text{V}$) make the unit ideal for audio, automotive and education use.

ADC-100 £199 ADC-100 with PicoLog £219

ADC-200 Digital Storage Oscilloscope

- 50 MSPS Dual Channel Digital Storage Scope
- 25 MHz Spectrum Analyser
- Windows or DOS environment
- $\pm 50\text{mV}$ to $\pm 20\text{V}$
- Multimeter
- 20 MSPS also available

ADC 200-20 £359.00
ADC 200-50 £499.00

Both units are supplied with cables, power supply and manuals.



Call for free demo disk and product range catalogue

Post & Packing UK £3.50, Export customers add £9 for carriage & insurance.

Pico Technology Ltd. Broadway House, 149-151 St Neots Rd, Hardwick, Cambridge. CB3 7QJ UK Tel: + 44 (0)1954 211716 Fax: + 44 (0)1954 211880
E-mail: post@picotech.co.uk Web site: <http://www.picotech.co.uk/>

Phone or FAX for sales, ordering information, data sheets, technical support. All prices exclusive of VAT

releasing PC potential

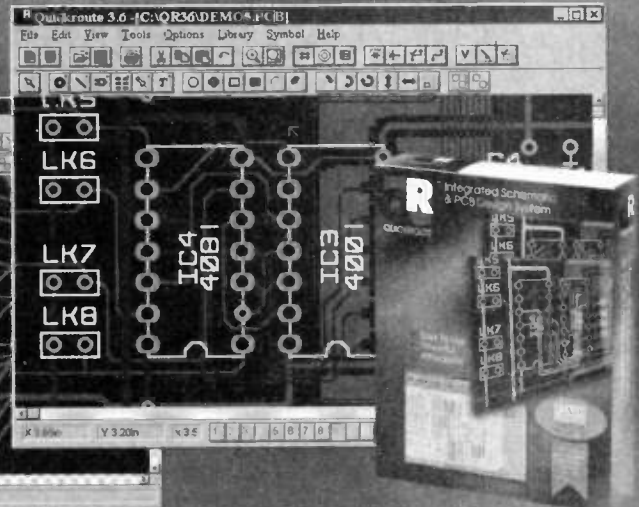
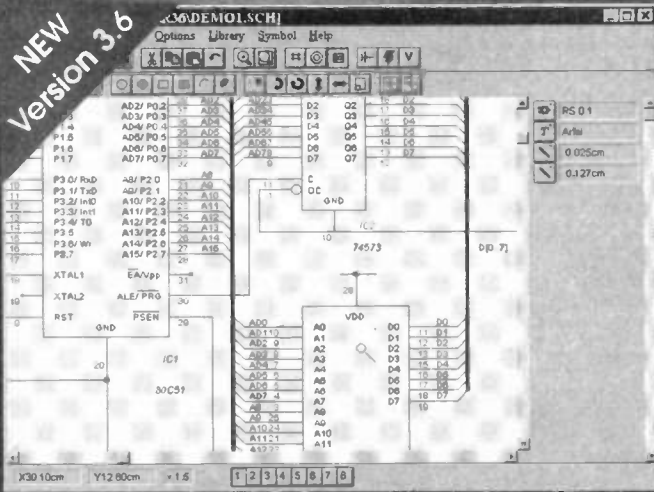
releasing PC potential

PICO Technology Limited



"extremely good value for money for such a comprehensive package"

Practical Wireless July 96



Schematic capture, Autorouting & Design Checking for just £149*

NEW Quickroute 3.6 Designer £149*

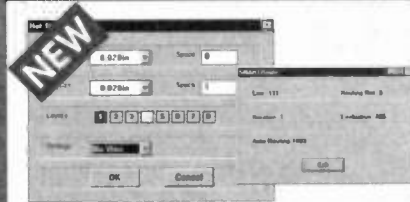
Take a look at Quickroute 3.6 Designer and you might be surprised! For just £149* you get easy to use schematic design (automatic junction placement, parts-bin, etc), "one click" schematic capture, autorouting on 1 or 2 layers, design rule & connectivity checking and a starter pack of over 260 symbols.

NEW Quickroute 3.6 PRO+ £399*

For those needing more power & more features there is Quickroute 3.6 PRO+. For just £399 you get multi-sheet schematic capture, 1 to 8 layer autorouting, net-list import/export, links to simulators, CAD/CAM file export, Gerber Import/viewing, DXF WMF & SPICE file export, copper fill, advanced connectivity checking with automatic updating of a PCB from a schematic, the basic set of over 260 symbols and library pack 1 which includes a further 184 symbols. More symbols are available in additional library packs available separately

Prices are Quickroute 3.6 Designer £149, Quickroute 3.6 PRO+ £399, SMARTRoute 1.0 £149.00, Library Packs £39 each. *Post & Packing per item is £6 (UK), £8 (Europe) and £12 (World). V.A.T must be added to the total.

NEW PLUG IN AUTOROUTER



SMARTRoute is a new 32-bit autorouter from Quickroute Systems rated in 'category A' by Electronics World (Nov 96). SMARTRoute plugs straight into Quickroute 3.6, automatically updating Quickroute's menus with new features and tools.

SMARTRoute 1.0 uses an iterative goal seeking algorithm which works hard to find the best route even on single sided PCB's. SMARTRoute allows you to assign different algorithms, design rules, track & via sizes, layers used, etc to groups of nets for total flexibility. SMARTRoute 1.0 costs just £149*.



Tel 0161 476 0202 Fax 0161 476 0505

Quickroute Systems Ltd. Regent House Heaton Lane Stockport SK4 1BS U.K.

WWW: www.quickroute.co.uk EMail: info@quicksys.demon.co.uk

QUICKROUTE SYSTEMS

Prices and specifications subject to change without notice. All trade marks are acknowledged & respected. All products sold subject to our standard terms & conditions (available on request)

SURVEILLANCE PROFESSIONAL QUALITY KITS

No. 1 for Kits

Whether your requirement for surveillance equipment is amateur, professional or you are just fascinated by this unique area of electronics SUMA DESIGNS has a kit to fit the bill. We have been designing electronic surveillance equipment for over 12 years and you can be sure that all our kits are very well tried, tested and proven and come complete with full instructions, circuit diagrams, assembly details and all high quality components including fibreglass PCB. Unless otherwise stated all transmitters are tuneable and can be received on an ordinary VHF FM radio.

Genuine SUMA kits available only direct from Suma Designs. Beware inferior imitations!

UTX Ultra-miniature Room Transmitter

Smallest room transmitter kit in the world! Incredible 10mm x 20mm including mic. 3V-12V operation. 1000m range..... £16.45

MTX Micro-miniature Room Transmitter

Best-selling micro-miniature Room Transmitter. Just 17mm x 17mm including mic. 3V-12V operation. 1000m range..... £13.45

STX High-performance Room Transmitter

High performance transmitter with a buffered output stage for greater stability and range. Measures 22mm x 22mm, including mic. 6V-12V operation, 1500m range. £15.45

VT500 High-power Room Transmitter

Powerful 250mW output providing excellent range and performance. Size 20mm x 40mm. 9V-12V operation. 3000m range..... £16.45

VXT Voice-Activated Transmitter

Triggers only when sounds are detected. Very low standby current. Variable sensitivity and delay with LED indicator. Size 20mm x 67mm. 9V operation. 1000m range. £19.45

HVX400 Mains Powered Room Transmitter

Connects directly to 240V A.C. supply for long-term monitoring. Size 30mm x 35mm. 500m range..... £19.45

SCRX Subcarrier Scrambled Room Transmitter

Scrambled output from this transmitter cannot be monitored without the SCDM decoder connected to the receiver. Size 20mm x 67mm. 9V operation. 1000m range..... £22.95

SCLX Subcarrier Telephone Transmitter

Connects to telephone line anywhere, requires no batteries. Output scrambled so requires SCDM connected to receiver. Size 32mm x 37mm. 1000m range..... £23.95

SCDM Subcarrier Decoder Unit for SCRX

Connects to receiver earphone socket and provides decoded audio output to headphones. Size 32mm x 70mm. 9V-12V operation..... £22.95

ATR2 Micro-Size Telephone Recording Interface

Connects between telephone line (anywhere) and cassette recorder. Switches tape automatically as phone is used. All conversations recorded. Size 16mm x 32mm. Powered from line..... £13.45

UTLX Ultra-miniature Telephone Transmitter

Smallest telephone transmitter kit available. Incredible size of 10mm x 20mm! Connects to line (anywhere) and switches on and off with phone use. All conversation transmitted. Powered from line. 500m range..... £15.95

TLX 700 Micro-miniature Telephone Transmitter

Best-selling telephone transmitter. Being 20mm x 20mm it is easier to assemble than UTLX. Connects to line (anywhere) and switches on and off with phone use. All conversations transmitted. Powered from line. 1000m range..... £13.45

STLX High-performance Telephone Transmitter

High performance transmitter with buffered output stage providing excellent stability and performance. Connects to line (anywhere) and switches on and off with phone use. All conversations transmitted. Powered from line. Size 22mm x 22mm. 1500m range..... £16.45

TKX900 Signalling/Tracking Transmitter

Transmits a continuous stream of audio pulses with variable tone and rate. Ideal for signalling or tracking purposes. High power output giving range up to 3000m. Size 25mm x 63mm. 9V operation..... £22.95

CD400 Pocket Bug Detector/Locator

Transmits a continuous stream of audio pulses with variable tone and pitch of tone increase as you approach signal. Gain control allows pinpointing of source. Size 45mm x 54mm. 9V operation..... £30.95

CD600 Professional Bug Detector/Locator

Multicolour readout of signal strength with variable rate bleeper and variable sensitivity used to detect and locate hidden transmitters. Switch to AUDIO CONFORM mode to distinguish between localised bug transmission and normal legitimate signals such as pagers, cellular, taxis etc. Size 70mm x 100mm. 9V operation..... £50.95

QTX180 Crystal Controlled Room Transmitter

LED and piezo bleeper pulse slowly, rate of pulse and pitch of tone increase as you approach signal. Narrow band FM transmitter for the ultimate in privacy. Operates on 180MHz and requires the use of a scanner receiver or our QRX180 kit (see catalogue). Size 20mm x 67mm. 9V operation. 1000m range..... £40.95

QLX180 Crystal Controlled Telephone Transmitter

As per QTX180 but connects to telephone line to monitor both sides of conversations. 20mm x 67mm. 9V operation. 1000m range..... £40.95

QSX180 Line Powered Crystal Controlled Phone Transmitter

As per QLX180 but draws power requirements from line. No batteries required. Size 32mm x 37mm. Range 500m..... £35.95

QRX 180 Crystal Controlled FM Receiver

For monitoring any of the 'Q' range transmitters. High sensitivity unit. All RF section supplied as pre-built and aligned module ready to connect on board so no difficulty setting up. Output to headphones. 60mm x 75mm. 9V operation..... £60.95

A build-up service is available on all our kits if required.

UK customers please send cheques, POs or registered cash. Please add £1.50 per order for P&P. Goods despatched ASAP allowing for cheque clearance. Overseas customers send Sterling Bank Draft and add £5.00 per order for shipment. Credit card orders welcomed on 01827 714476.

OUR LATEST CATALOGUE CONTAINING MANY MORE NEW SURVEILLANCE KITS NOW AVAILABLE. SEND TWO FIRST CLASS STAMPS OR OVERSEAS SEND TWO IRCS.

★★★ Specials ★★★

DLTX/DLRX Radio Control Switch

Remote control anything around your home or garden, outside lights, alarms, paging system etc. System consists of a small VHF transmitter with digital encoder and receiver unit with decoder and relay output, momentary or alternate, 8-way d.I.I. switches on both boards set your own unique security code. TX size 45mm x 45mm. RX size 35mm x 90mm. Both 9V operation. Range up to 200m.

Complete System (2 kits)..... £50.95

Individual Transmitter DLTX..... £19.95

Individual Receiver DLRX..... £37.95

MRX-1 Hi-Fi Micro Broadcaster

Not technically a surveillance device but a great idea! Connects to the headphone output of your Hi-Fi, tape or CD and transmits Hi-Fi quality to a nearby radio. Listen to your favourite music anywhere around the house, garden, in the bath or in the garage and you don't have to put up with the DJ's choice and boring waffle.

Size 27mm x 60mm. 9V operation. 250m range..... £20.95

**SUMA
DESIGNS**

DEPT. EE
THE WORKSHOPS, 95 MAIN ROAD,
BAXTERLEY, NEAR ATHERSTONE,
WARWICKSHIRE CV9 2LE
VISITORS STRICTLY BY APPOINTMENT ONLY



**Tel/Fax:
01827 714476**

£1 BARGAIN PACKS - List 5

If you would like to receive the other four £1 lists and a lot of other lists, request these when you order or send SAE.

TEST PRODS FOR MULTIMETERS with 4mm sockets. Good length very flexible lead, Ref: D86.
8 OHM PM SPEAKERS, size 8" x 4", pack of two. These may be lightly rusty and that is why they are so cheap but are electrically OK, Ref: D102.
PAXOLIN PANELS, size 8" x 6", approximately 1/16" thick, pack of two, Ref: D103.
13A SOCKET, virtually unbreakable, ideal for trailing lead, Ref: D95.
PIEZO BUZZER with electronic sounder circuit, 3V to 9V D.C. operated, Ref: D76.
DITTO but without internal electronics, pack of two, Ref: D75.
LUMINOUS ROCKER SWITCH, approximately 30mm sq, pack of two, Ref: D64.
ROTARY SWITCH, 9-pole 6-way, small size and 1/4" spindle, pack of two, Ref: D54.
FERRITE RODS, 7" with coils for Long and Medium waves, pack of two, Ref: D52.
DITTO but without the coils, pack of three, Ref: D52.
SLIDE SWITCHES, SPDT, pack of 20, Ref: D50.
MAINS DP ROTARY SWITCH with 1/4" control spindle, pack of five, Ref: D49.
ELECTROLYTIC CAP, 800µF at 6.4V, pack of 20, Ref: D48.
ELECTROLYTIC CAP, 1000µF + 100µF 12V, pack of 10, Ref: D47.
MINI RELAY with 5V coil, size only 26mm x 19mm x 1mm, has two sets of changeover contacts, Ref: D42.
MAINS SUPPRESSOR CAPS 0.1µF 250V A.C., pack of 10, Ref: 1050.
TELESCOPIC AERIAL, chrome plated, extendable and folds over for improved F.M. reception, Ref: 1051.
MES LAMP HOLDERS, slide on to 1/4" tag, pack of 10, Ref: 1054.
PAXOLIN TUBING, 3/16" internal diameter, pack of two, 12" lengths, Ref: 1056.
ULTRA THIN DRILLS, 0.4mm, pack of 10, Ref: 1042.
20A TOGGLE SWITCHES, centre off, part spring controlled, will stay on when pushed up but will spring back when pushed down, pack of two, Ref: 1043.
HALL EFFECT DEVICES, mounted on small heatsink, pack of two, Ref: 1022.
12V POLARISED RELAY, two changeover contacts, Ref: 1032.
PAXOLIN PANEL, 12" x 12" 1/16" thick, Ref: 1033.
MINI POTTED TRANSFORMER, only 1.5VA 15V-0V-15V or 30V, Ref: 964.
ELECTROLYTIC CAP, 32µF at 350V and 50µF section at 25V, in aluminium can for upright mounting, pack of two, Ref: 995.
PRE-SET POTS, one megohm, pack of five, Ref: 998.
WHITE PROJECT BOX with rocker switch in top left-hand side, size 78mm x 115mm x 35mm, unprinted, Ref: 1006.
6V SOLENOID, good strong pull but quite small, pack of two, Ref: 1012.
FIGURE-8 MAINS FLEX, also makes good speaker lead, 15m, Ref: 1014.
HIGH CURRENT RELAY, 24V A.C. or 12V D.C., three changeover contacts, Ref: 1016.
LOUDSPEAKER, 8 Ohm 5W, 3-7" round, Ref: 962.
NEON PILOT LIGHTS, oblong for front panel mounting, with internal resistor for normal mains operation, pack of four, Ref: 970.
3.5MM JACK PLUGS, pack of 10, Ref: 975.
WANDER PLUGS, pack of 10, Ref: 986.
PSU, mains operated, two outputs, one 9.5V at 550mA and the other 15V at 150mA, Ref: 988.
ANOTHER PSU, mains operated, output 15V A.C. at 320mA, Ref: 989.
PHOTOCELLS, silicon chip type, pack of four, Ref: 939.
LOUDSPEAKER, 5" 4 Ohm 5W rating, Ref: 946.
LOUDSPEAKER, 7" x 5" 4 Ohm 5W, Ref: 949.
LOUDSPEAKER, 4" circular 6 Ohm 3W, pack of 2, Ref: 951.
FERRITE POT CORES, 30mm x 15mm x 25mm, matching pair, Ref: 901.
PAXOLIN PANEL, 8 1/2" x 3 1/2" with electrolytics 250µF and 100µF, Ref: 905.
CAR SOCKET PLUG with P.C.B. compartment, Ref: 917.
FOUR-CORE FLEX suitable for telephone extensions, 10m, Ref: 918.
VERO OFF-CUTS, approximately 30 square inches of useful sizes, Ref: 927.
PROJECT CASE, 95mm x 66mm x 23mm with removable lid, held by four screws, pack of two, Ref: 876.
SOLENOIDS, 12V to 24V, will push or pull, pack of two, Ref: 877.
2M MAINS LEAD, 3-core with instrument plug moulded on, Ref: 879.
TELESCOPIC AERIAL, chrome plated, extendable, pack of two, Ref: 884.
MICROPHONE, dynamic with normal body for hand holding, Ref: 885.
CROCODILE CLIPS, superior quality flex, can be attached without soldering, five each red and black, Ref: 886.
BATTERY CONNECTOR FOR PP3, superior quality, pack of four, Ref: 887.
LIGHTWEIGHT STEREO HEADPHONES, Ref: 898.
PRESETS, 470 Ohm and 220 kilohm, mounted on single panel, pack of 10, Ref: 849.
THERMOSTAT for ovens with 1/4" spindle to take control knob, Ref: 857.
12V-0V-12V 10W MAINS TRANSFORMER, Ref: 811.
18V-0V-18V 10W MAINS TRANSFORMER, Ref: 813.
AIR-SPACED TRIMMER CAPS, 2pF to 20pF, pack of two, Ref: 818.
AMPLIFIER, 9V or 12V operated Mullard 1153, Ref: 823.
2 CIRCUIT MICROSWITCHES, icon, pack of 4, Ref: 825.
LARGE SIZE MICROSWITCHES changeover contacts, pack of two, Ref: 826.
MAINS VOLTAGE PUSH SWITCH with white dot, through panel mounting by hexagonal nut, Ref: 829.
POINTER KNOB for spindle which is just under 1/4", like most thermostats, pack of four, Ref: 833.

SUPER WOOFERS. Two have just arrived. The first is a 10" 4ohm with a power rating of 250W music and normal 150W. Has a very heavy magnet and is beautifully made and finished by Challenger. Normal selling price for this is £55 + VAT, you can buy at £29 including VAT and carriage, Order Ref: 29P7. The second one is a 8" 4ohm, 200W music, 100W normal. Again by Challenger, price £18, Order Ref: 18P9. Incidentally, as these are so heavy, if you collect then you will make a saving of £2 on the 10" and £1.50 on the 8".



THESE SPEAKERS ARE ALL BRAND NEW.

CROUZET 3W MINI MOTORS. These are for normal mains operation as fitted to their gearboxes. Price is £2.50, Order Ref: 2.5P22.

CROUZET MOTORISED GEARBOXES. For normal mains operation we have 3 types just arrived.

The fastest has a final speed of 1/10rpm with a good length of 1/16" diameter spindle, price £3, Order Ref: 3P217.

The second is similar but has a final speed of 8rpm, price £3, Order Ref: 3P218.

The third has a very slow speed of 10rpm, has attached to its spindle a toothed gearwheel so should be ideal for alternative speeds, again £3, Order Ref: 3P219.

DYNAMIC MICROPHONE. Plastic body with black mesh 600Ω head, on/off switch, good length lead and terminated with audio plug, price £3, Order Ref: 3P220.

PROJECT BOX. Conventional plastic construction, 250mm x 130mm wide x 50mm deep. Divides into 2 halves with internal pillars for mounting components. The box itself is not drilled, has ventilators in the corners but these are quite a decoration and give the box a pleasing look. Price £1, Order Ref: D201.

MINI AM/FM TUNING CAPACITOR. Only 1" square but has a good length of 1/4" diameter spindle, with 4 variable preset caps for fine tuning. Price £1, Order Ref: D202.

ANOTHER 7" FERRITE ROD AERIAL. This is an extra special 1/2" diameter with long and medium wave coils. Price £1 each, Order Ref: D203.

TWO MORE TOROIDAL TRANSFORMER Order Ref: 4P100 is 120W and will give you 27V at 4.5A or 54V at 2.25A, price £4. An interesting thing about this transformer is that it is very easy to add turns, 4 turns will give you 1V.

ORDER REF 1.5P47 is 25W and will give you 24V at 1A or 48V at .5A, price £1.50.

FOR YOU A FREE GIFT

an its not the same one as sent out during November/December. We think, however, that you will be quite pleased with it.

INSULATION TESTER WITH MULTIMETER. Internally generates voltages which enables you to read insulation directly in Megohms. The multi-meter has four ranges: AC/DC volts; 3 ranges resistance and 5 amp range. Ex-British telecom, tested and guaranteed OK, yours for only £7.50 with leads, carrying case £2 extra, Order Ref: 7-5P4. We have some of the above testers not working on all ranges, should be repairable, we supply diagram, £3, Order Ref: 3P176.

£1.50 BARGAIN PACKS

NiCad BATTERY 3.6V with P.C.B. mounting prongs, Order Ref: 1.5P2.
6-DIGIT COUNTER 12V, Order Ref: 1.5P3.
PAIR OF ULTRASONIC MODULES, one sender, one receiver, Order Ref: 1.5P4.
100-CORE CABLE, any length, Order Ref: 1.5P6 per metre.
KEY SWITCH, two-position, complete with two Yale type keys, Order Ref: 1.5P12.
CASSETTE MOTOR, 9V brushless, Order Ref: 1.5P14.
80 OHM COAX TV CABLE, extra thin, 10m, Order Ref: 1.5P14.
WATERPROOF SPEAKER, 3/2" round, 8 Ohm 11W, Order Ref: 1.5P27.
6V 1A ENCASED POWER SUPPLY with input and output leads, Order Ref: 1.5P22.
FLUORESCENT CHOKE for 60W or 80W tube, Order Ref: 1.5P23.
3" TWEETER 8 Ohms 15W, Order Ref: 1.5P28.
13A SWITCH SOCKET, white, Order Ref: 1.5P29.
RELAY, flash-proof, 12V coil, SPDO, Order Ref: 1.5P31.
ENCASED PSU, twin outputs, 15V 850mA and 9V 550mA, both A.C. output, Order Ref: 1.5P32.
12V MOTOR, mini but quite powerful, 32mm diameter, 25mm long, Order Ref: 1.5P33.

£2 BARGAIN PACKS

20W TWEETER 4" x 4" 8 Ohm by Goodmans, Order Ref: 2P403.
MOVING COIL CHARGE METER, 0-3A, Order Ref: 2P366.
W-SHAPED 30W FLUORESCENT TUBE by Philips. Ideal name plate illuminator, Order Ref: 2P372.
DIMMER SWITCH, standard size plate, colours - red, yellow, green, blue, Order Ref: 2P380.
TOROIDAL TRANSFORMER 7V 5A, Order Ref: 2P390.
TELEPHONE EXTENSION LEAD, flat plug one end, socket the other, 12m, Order Ref: 2P338.
INTERNAL TELEPHONE EXTENSION, 4-core cable, 25m, Order Ref: 2P339.
FIGURE-8 FLEX, mains voltage, 50m, Order Ref: 2P345.
INFRA-RED RECEIVER, has fitted TV receiver, Order Ref: 2P304.
LCD CLOCK MODULE with details on other uses, Order Ref: 2P307.
AM/FM RADIO RECEIVER with speaker and dial but not cased, Order Ref: 2P308.
12V 200mA PSU on 13A base, Order Ref: 2P313.
2A MAINS FILTER AND PEAK SUPPRESSOR, Order Ref: 2P315.
45A DP 250V SWITCH on 6" x 3" gold plate, Order Ref: 2P316.
D.C. VOLT REDUCER, 12V-6V, fits into car lighter socket, Order Ref: 2P318.
SOLAR CELL 3V, five of these in series would make you a 12V battery charger, £1 each, Order Ref: 2P374.
PERMANENT MAGNET SOLENOID, opposite action, core is released when voltage is applied, Order Ref: 2P327.
HEATER PAD, not waterproof, Order Ref: 2P329.
DISK DRIVE, complete less stepper motor, has all the electronics to control stepper motor, Order Ref: 2P280.
15V 320mA A.C. POWER SUPPLY, in case with 13A base, ideal for bell or chime controller, Order Ref: 2P281.
POWERFUL MAINS MOTOR with 4" spindle, Order Ref: 2P262.
20M 80 OHM TV COAX, Order Ref: 2P270.
LOCTITE METAL ADHESIVE, tube and some accessories, Order Ref: 2P215.
6-DIGIT COUNTER, mains operated, Order Ref: 2P235.
13A ADAPTORS, takes two 13A plugs, pack of 5 - £2, Order Ref: 2P187.
3-CORE 5A PVC FLEX, 15m, Order Ref: 2P189.
MAINS TRANSFORMER, 15V 1 A, Order Ref: 2P198.
FLIP-OVER CLOCK, mains operated, only requires a simple case, Order Ref: 2P205.
THERMOSTAT with calibrated knob, oven temperatures, Order Ref: 2P158.
7-SEGMENT NEON DISPLAYS, pack of 8, Order Ref: 2P126.
MODERN TELEPHONE HANSET, ideal office extension, Order Ref: 2P94.
500 STAPLES, hardened pin, suit burglar alarm or telephone wire, Order Ref: 2P99.
PAD SWITCH for under carpets, Order Ref: 2P119.
6 1/2" FAN AND MAINS MOTOR, Order Ref: 2P64.
24V STEREO POWER SUPPLY, Mullard, Order Ref: 2P80.
UP TO 90 MIN 25A SWITCH, clockwork, Order Ref: 2P90.
POWERFUL MAINS MOTOR, 1 1/2" stack, double spindle, Order Ref: 2P55.
POWER SUPPLY FOR MODELS, 6V to 12V variable and reversible, Order Ref: 2P3.
MAINS TIME AND SET SWITCH 25A, up to nine hours delay, Order Ref: 2P9.
MOTORISED SIX MICROSWITCHES but motor 50V A.C., Order Ref: 2P19.
TWIN EXTENSION LEAD, ideal lead lamp, Black & Decker tools, etc, 20m, Order Ref: 2P20.
MAINS COUNTER, resettable, 3 digit, Order Ref: 2P26.

Prices include VAT and carriage cost if order over £25 otherwise add £3. Send cash, uncrossed postal orders, cheque or quote credit card number.

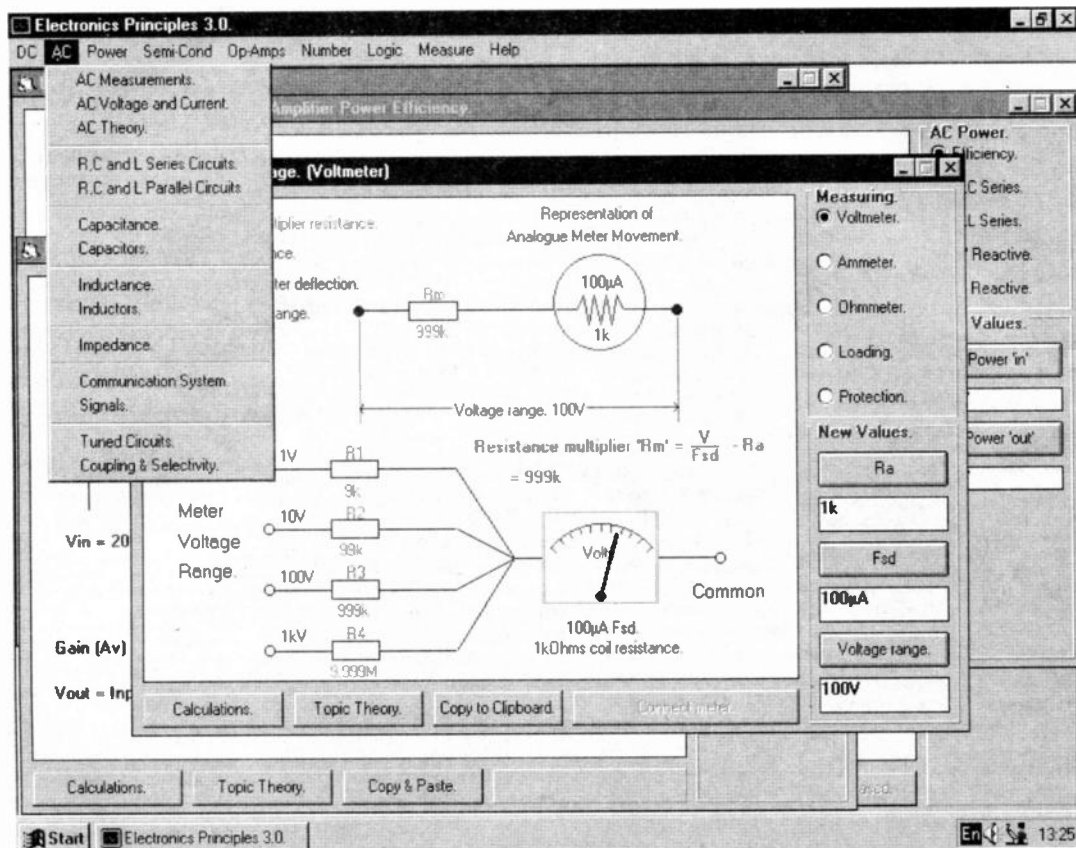
J & N FACTORS
Pilgrim Works (Dept. E.E.)
Stairbridge Lane, Bolney,
Sussex RH17 5PA
Telephone: 01444 881965
(Also fax but phone first)

Electronics Principles 3.0

For Windows 3.1, '95 & NT.

If you are looking for an easy and enjoyable way of studying or improving your knowledge of electronics then this is the software for you.

Electronics Principles 3.0 now contains fifty-eight Windows and an extended range of nearly 300 fully interactive analogue and digital electronics topics and is currently used in hundreds of UK and overseas schools & colleges to support GCSE, A-level, BTEC, City & Guilds and university foundation courses. Also NVQ's and GNVQ's where students are required to have an understanding of electronics principles.



Other titles available.

Electronics Toolbox 3.0 £19.95*

Presents commonly used electronics formulae and routines in a way that makes calculations easy. Just select the topic, 'pop' in your values and find the result.

Mathematics Principles 3.0 £49.95*

Study or revise mathematics in what we believe is an interesting and enjoyable way. Nearly two hundred topics, including the GCSE syllabus with interactive, full colour graphics to enable 'learning through doing'.

Electronics Principles 4.0 £99.95*

Contains all of the extended version 3 and many more digital and analogue topics. Plus: Microprocessor & microcomputer operation, registers, arithmetic and logic unit, ROM, RAM etc. Addressing modes and full instruction set can be executed on the screen.

Inputs & outputs use electronics symbols.

Scientific notation avoided where possible to make numbers & calculations meaningful.

Experiment with standard textbook examples, even check your homework!

Hundreds of electronics formulae available for circuit investigation.

Multi-user site licence for schools & colleges.

Produce OHP slides & student handouts.

Complete Package just £49.95*

For more information, upgrades or software by return.

Telephone (01376) 514008.

EPT Educational Software. Pump House, Lockram Lane, Witham, Essex. UK. CM8 2BJ. Tel/Fax: 01376 514008.

E-Mail sales@eptsoft.demon.co.uk Web pages <http://www.octacon.co.uk/ext/ept/software.htm>

* UK Please Add £2 per order for post & packing + VAT. Make cheques payable to EPT Educational Software. Switch, Delta, Visa and Mastercard orders accepted - please give card number and expiry date.

OVERSEAS ORDERS: Add £2.50 postage for countries in the EEC. Outside EEC add £3.50 for airmail postage.



MAIL ORDER ONLY ● CALLERS BY APPOINTMENT

EPE MICROCONTROLLER P.I. TREASURE HUNTER

The latest MAGENTA DESIGN - highly stable & sensitive - with MC control of all timing functions and advanced pulse separation techniques.

- New circuit design 1994
- High stability drift cancelling
- Easy to build & use
- No ground effect, works in seawater



● Detects gold, silver, ferrous & non-ferrous metals

- Efficient quartz controlled microcontroller pulse generation.
- Full kit with headphones & all hardware

KIT 847.....£63.95

DIGITAL LCD THERMOSTAT

A versatile thermostat using a thermistor probe and having an I.C.d. display, MIN/MAX memories, -10 to 110 degrees Celsius, or can be set to read in Fahrenheit. Individually settable upper and lower switching temperatures allow close control, or alternatively allow a wide 'dead band' to be set which can result in substantial energy savings when used with domestic hot water systems. Ideal for greenhouse ventilation or heating control, aquaria, home brewing, etc. Mains powered, 10A SPCO Relay output. Punched and printed case.

KIT 841.....£29.95

PORTABLE ULTRASONIC PEst SCARER

A powerful 23kHz ultrasound generator in a compact hand-held case. MOSFET output drives a special sealed transducer with intense pulses via a special tuned transformer. Sweeping frequency output is designed to give maximum output without any special setting up.

KIT 842.....£22.56

DIGITAL CAPACITANCE METER

A really professional looking project. Kit is supplied with a punched and printed front panel, case, p.c.b. and all components. Quartz controlled accuracy of 1%. Large clear 5-digit display and high speed operation. Ideal for beginners - as the μF , nF and pF ranges give clear unambiguous read out of marked and unmarked capacitors from a few pF up to thousands of μF .

KIT 493.....£39.95

SUPER ACOUSTIC PROBE

Our very popular project - now with ready built probe assembly and diecast box. Picks up vibrations amplifies, and drives headphones. Sounds from engines, watches, and speech through walls can be heard clearly. Useful for mechanics, instrument engineers and nosey parkers! A very useful piece of kit.

KIT 865.....£29.95

WINDICATOR

A novel wind speed indicator with LED readout. Kit comes complete with sensor cups, and weatherproof sensing head. Mainspower unit £5.99 extra.

KIT 856.....£28.00

★ TENS UNIT ★

DUAL OUTPUT TENS UNIT

As featured in this issue.

Magenta have prepared a FULL KIT for this excellent new project. All components, PCB and hardware are included. Designed for simple assembly and testing and providing high level dual output drive.

KIT 866.....Phone for price

1000V & 500V INSULATION TESTER



Superb new design. Regulated output, efficient circuit. Dual-scale meter, compact case. Reads up to 200 Megohms. Kit includes wound coil, cut-out case, meter scale, PCB & ALL components.

KIT 848.....£32.95

MOSFET MkII VARIABLE BENCH POWER SUPPLY 0-25V 2.5A.

Based on our Mk1 design and preserving all the features, but now with switching pre-regulator for much higher efficiency. Panel meters indicate Volts and Amps. Fully variable down to zero. Toroidal mains transformer. Kit includes punched and printed case and all parts. As featured in April 1994 EPE. An essential piece of equipment.

KIT 845.....£64.95



ULTRASONIC PESt SCARER

Keep pets/pests away from newly sown areas, fruit, vegetable and flower beds, children's play areas, patios etc. This project produces intense pulses of ultrasound which deter visiting animals.

- KIT INCLUDES ALL COMPONENTS, PCB & CASE
- EFFICIENT 100V TRANSDUCER OUTPUT
- COMPLETELY INAUDIBLE TO HUMANS



- UP TO 4 METRES RANGE
- LOW CURRENT DRAIN

KIT 812.....£14.81

SPACEWRITER

An innovative and exciting project. Wave the wand through the air and your message appears. Programmable to hold any message up to 16 digits long. Comes pre-loaded with "MERRY XMAS". Kit includes PCB, all components & tube plus instructions for message loading.

KIT 849.....£16.99

12V EPROM ERASER

A safe low cost eraser for up to 4 EPROMS at a time in less than 20 minutes. Operates from a 12V supply (400mA). Used extensively for mobile work - updating equipment in the field etc. Also in educational situations where mains supplies are not allowed. Safety interlock prevents contact with UV.

KIT 790.....£28.51

INSULATION TESTER

A reliable and neat electronic tester which checks insulation resistance of wiring and appliances etc., at 500 Volts. The unit is battery powered, simple and safe to operate. Leakage resistance of up to 100 Megohms can be read easily. A very popular college project.

KIT 444.....£22.37

SUPER BAT DETECTOR

1 WATT O/P
BUILT IN SPEAKER
COMPACT CASE
20kHz-140kHz
NEW DESIGN WITH 40kHz MIC.

A new circuit using a 'full bridge' audio amplifier i.c., internal speaker, and headphone/tape socket. The latest sensitive transducer, and 'double balanced mixer' give a stable, high performance superheterodyne design.

KIT 861.....£24.99

E.E. TREASURE HUNTER P.I. METAL DETECTOR MK1

Magenta's highly developed & acclaimed design. Quartz crystal controlled circuit MOSFET coil drive. D.C. coupled amplification. Full kit includes PCB, handle, case & search coil.

- KIT INC. HEADPHONES
- EFFICIENT CMOS DESIGN
- POWERFUL COIL DRIVE
- DETECTS FERROUS AND NON-FERROUS METAL - GOLD, SILVER, COPPER ETC.
- 190mm SEARCH COIL
- NO 'GROUND EFFECT'

KIT 815.....£45.95

DOLBY PRO-LOGIC DECODER

Experience the delight of SURROUND SOUND in your own home. This project brings full Genuine PRO-LOGIC surround sound to you at a fantastic price. The circuit meets all Dolby specifications, with "Stereo", "3-Stereo" and "Surround Sound" selections.



For minimum cost the "Short Form Kit" is ideal. This is complete except for the case and power transformer. It includes the switches, sockets, and pots, and is ideal for building into a custom set-up with pre-amp and power-amp modules, where power is available.

The alternative "Full Kit" gives the best value option. With a printed front panel, punched rear panel, power transformer and mains lead and black brushed aluminium knobs. This kit produces a complete stand-alone decoder that can be used with any audio.

Short Form KIT, Kit Ref: 858 £99.00

*DOLBY and the double-D symbol are trademarks. Kit with case and transformer, Kit Ref: 869 £124.99

DC Motor/Gearboxes

Our Popular and Versatile DC motor/Gearbox sets. Ideal for Models, Robots, Buggies etc. 1.5 to 4.5V Multi ratio gearbox gives wide range of speeds.

LARGE TYPE - MGL £6.95
SMALL - MGS - £4.77



Stepping Motors

MD38...Mini 48 step...£8.65
MD35...Std 48 step...£12.98
MD200...200 step...£16.80
MD24...Large 200 step...£22.95



SIMPLE PIC PROGRAMMER

INCREDIBLE LOW
PRICE!

Kit 857 **£12.99**

INCLUDES 1-PIC16C84 CHIP SOFTWARE DISK, LEAD CONNECTOR, PROFESSIONAL PC BOARD & INSTRUCTIONS

Power Supply £3.99

EXTRA CHIPS:
PIC 16C84 £7.36

Based on the design in February '96 EPE article, Magenta have made a proper PCB and kit for this project. PCB has 'reset' switch, Program switch, 5V regulator and test L.E.D.s. There are also extra connection points for access to all A and B port pins.

PIC16C84 LCD DISPLAY DRIVER

INCLUDES 1-PIC16C84 WITH DEMO PROGRAM SOFTWARE DISK, PCB, INSTRUCTIONS AND 16-CHARACTER 2-LINE LCD DISPLAY

Kit 860 **£17.99**

Power Supply £3.99

FULL PROGRAM SOURCE CODE SUPPLIED - DEVELOP YOUR OWN APPLICATION!

Another super PIC project from Magenta. Supplied with PCB, industry standard 2-LINE x 16-character display, data, all components, and software to include in your own programs. Ideal development base for meters, terminals, calculators, counters, timers - Just waiting for your application!

★ Chip is pre-programmed with demo display ★

SUPER PIC PROGRAMMER

- READS, PROGRAMS, AND VERIFIES
- WINDOWS™ SOFTWARE
- PIC16C6X, 7X, AND 8X
- USES ANY PC PARALLEL PORT
- USES STANDARD MICROCHIP • HEX FILES
- OPTIONAL DISASSEMBLER SOFTWARE (EXTRA)
- PCB, LEAD, ALL COMPONENTS, TURNED PIN SOCKETS FOR 18, 28, AND 40 PIN ICs.

NEW!

- SEND FOR DETAILED INFORMATION - A SUPERB PRODUCT AT AN UNBEATABLE LOW PRICE.

Kit 862 **£29.99**

Power Supply £3.99

PIC STEPPING MOTOR DRIVER

INCLUDES: PCB, PIC16C84 WITH DEMO PROGRAM, SOFTWARE DISK, INSTRUCTIONS AND MOTOR.

Kit 863 **£18.99**

FULL SOURCE CODE SUPPLIED. ALSO USE FOR DRIVING OTHER POWER DEVICES e.g. SOLENOIDS.

NEW!

Another NEW Magenta PIC project. Drives any 4-phase unipolar motor - up to 24V and 1A. Kit includes all components and 48 step motor. Chip is pre-programmed with demo software, then write your own, and re-program the same chip! Circuit accepts inputs from switches etc and drives motor in response. Also runs standard demo sequence from memory.

PIC16C84 MAINS POWER 4-CHANNEL CONTROLLER & LIGHT CHASER

- WITH PROGRAMMED 16C84 AND DISK WITH SOURCE CODE IN MPASM
- ZERO VOLT SWITCHING - 10 CHASE PATTERNS
- OPTO ISOLATED
- 4 X 3 KEYPAD CONTROL
- SPEED CONTROL POT.
- HARD FIRED TRIACS
- 4 CHANNELS @5 AMPS

Now features full 4-channel chaser software on DISK and pre-programmed PIC16C84 chip. Easily re-programmed for your own applications. Software source code is fully 'commented' so that it can be followed easily.

Kit 855 **£39.95** LOTS OF OTHER APPLICATIONS

PIC16C5X

IN CIRCUIT EMULATOR - WITH ON-LINE MONITOR.

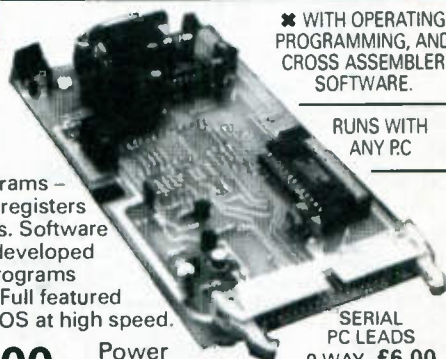
The easiest way to get started. Allows single stepping through programs - displaying the internal registers and driving the I/O pins. Software and hardware can be developed and tested together. Programs 16C54, 5, 6, & 7 chips. Full featured software runs under DOS at high speed.

Kit 853 **£99.00**

Power Supply £8.99

★ WITH OPERATING PROGRAMMING, AND CROSS ASSEMBLER SOFTWARE.

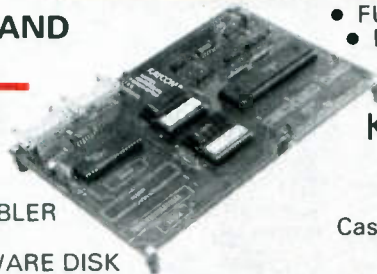
RUNS WITH ANY PC



SERIAL PC LEADS
9-WAY £6.00
25-WAY £7.00

68000 DEVELOPMENT AND TRAINING KIT

- USED WORLDWIDE IN SCHOOLS COLLEGES & UNIVERSITIES
- DOUBLE EUROCARD, 2 SERIAL PORTS
- NOW WITH EXPANDED RAM & ROM
- FULL FEATURED MONITOR & LINE ASSEMBLER IN ROM
- CROSS-ASSEMBLER AND COMMS SOFTWARE DISK



- FULL 8MHz 68000 16-BIT DATA BUS
- EXPANDABLE - PIT OPTION 68230
- FULL MANUAL PLUS DATA
- SUPER LOW PRICE:

KIT 601.....**£69.95**

EXTRAS: 9-way P.C. lead **£6.99**

25-way P.C. lead **£6.99**

Case - black bottom, clear lid - **£5.99**

PSU +5V, +12V, -12V **£12.99**

Mini-Lab & Micro Lab Electronics Teach-In 7

As featured in EPE and now published as Teach-In 7. All parts are supplied by Magenta. Teach-In 7 is £3.95 from us or EPE Full Mini Lab Kit - £119.95 - Power supply extra - £22.55 Full Micro Lab Kit - £155.95 Built Micro Lab - £189.95

MAGENTA

All prices include VAT.
Add £3.00 p&p.

Tel: 01283 565435 Fax: 01283 546932 E-mail: 106363,2245@compuserve.com



Tel
(0191) 251 4363
Fax
(0191) 252 2296

ESR
ELECTRONIC COMPONENTS
Station Road, Cullercoats,
Tyne & Wear
NE30 4PQ
U.K.

See Next / Last Months Ad. for ELECTRONIC COMPONENTS

DIL Sockets

8 Pin DIL 0.3"	£0.06
14 Pin DIL 0.3"	£0.11
16 Pin DIL 0.3"	£0.11
18 Pin DIL 0.3"	£0.12
20 Pin DIL 0.3"	£0.13
24 Pin DIL 0.6"	£0.12
28 Pin DIL 0.6"	£0.13
40 Pin DIL 0.6"	£0.19
8 Pin DIL 0.3"	£0.11
14 Pin DIL 0.3"	£0.27
16 Pin DIL 0.3"	£0.31
18 Pin DIL 0.3"	£0.35
20 Pin DIL 0.3"	£0.39
24 Pin DIL 0.6"	£0.46
28 Pin DIL 0.6"	£0.41
40 Pin DIL 0.6"	£0.78

Turned Pin

1 x 36 Way Straight	£0.38
2 x 36 Way Straight	£0.72
1 x 36 Way 90°	£0.55
2 x 36 Way 90°	£0.78
20 Way Socket Strip	£0.54

Transistor Sockets

T018-4 Base Socket	£0.24
T05 Base Socket	£0.24

IDC Cable Sockets

10 Way Socket	£0.23
14 Way Socket	£0.34
16 Way Socket	£0.31
20 Way Socket	£0.26
26 Way Socket	£0.30
34 Way Socket	£0.42
40 Way Socket	£0.66
50 Way Socket	£0.75

PCB Box Headers

10 Way Straight	£0.27
14 Way Straight	£0.36
16 Way Straight	£0.36
20 Way Straight	£0.41
26 Way Straight	£0.49
34 Way Straight	£0.52
40 Way Straight	£0.63
50 Way Straight	£0.96
10 Way 90°	£0.36
16 Way 90°	£0.47
20 Way 90°	£0.53
26 Way 90°	£0.58
34 Way 90°	£0.72
40 Way 90°	£0.83
50 Way 90°	£0.99

PCB 1-atch Headers

10 Way Straight	£0.50
16 Way Straight	£0.70
20 Way Straight	£0.78
26 Way Straight	£1.00
34 Way Straight	£0.86
40 Way Straight	£1.56
50 Way Straight	£1.29
10 Way 90°	£0.58
16 Way 90°	£0.78
20 Way 90°	£0.82
26 Way 90°	£1.06
34 Way 90°	£1.14
40 Way 90°	£1.64
50 Way 90°	£1.74

DIL Headers

14 Way DIL	£0.54
16 Way DIL	£0.59
24 Way DIL	£0.90
40 Way DIL	£1.02

Transition Headers

10 Way Transition	£0.49
14 Way Transition	£0.47
16 Way Transition	£0.47
20 Way Transition	£0.54
26 Way Transition	£0.62
34 Way Transition	£0.67
40 Way Transition	£0.90
50 Way Transition	£1.02

D Type Connectors

9 Way Male Plug	£0.29
9 Way Female Socket	£0.30
15 Way Male Plug	£0.39
15 Way Female Socket	£0.39
15 Way H.D. Plug	£0.49
15 Way H.D. Socket	£0.78
23 Way Male Plug	£0.49
23 Way Female Socket	£0.49
25 Way Male Plug	£0.48
25 Way Female Socket	£0.50

DC Ribbon Mounting

9 Way Male Plug	£1.20
9 Way Female Socket	£1.20
25 Way Male Plug	£1.26
25 Way Female Socket	£1.26

Right Angled PCB

9 Way Male Plug	£0.37
9 Way Female Socket	£0.35
15 Way H.D. Socket	£0.77
25 Way Male Plug	£0.53
25 Way Female Socket	£0.51

Audio Connectors

2.5mm Jack Plug	£0.21
2.5mm Line Socket	£0.16
2.5mm Chassis Socket	£0.09
3.5mm Mono Plug	£0.24
3.5mm Mono Line Skt	£0.30
3.5mm Mono Chassis Skt	£0.44
3.5mm Stereo Plug	£0.33
3.5mm Stereo Line Skt	£0.37
3.5mm Stereo Chassis Skt	£0.34
1/2" Mono Plug	£0.30
1/2" Mono Line Socket	£0.35
1/2" Mono Chassis Socket	£0.40
1/2" Stereo Plug	£0.40
1/2" Stereo Line Socket	£0.38
1/2" Stereo Chassis Skt	£0.44

DIN Series

2 Pin Line Plug	£0.21
3 Pin Chassis Socket	£0.15
3 Pin Line Plug	£0.27
3 Pin Chassis Socket	£0.28
4 Pin Line Plug	£0.24
4 Pin Chassis Socket	£0.26
5 Pin Line Plug 180°	£0.30
5 Pin Chassis Skt 180°	£0.32
5 Pin Line Plug 240°	£0.24
5 Pin Chassis Skt 240°	£0.32
5 Pin Line Plug 360°	£0.24
5 Pin Chassis Skt 360°	£0.32
6 Pin Line Plug	£0.27
6 Pin Chassis Socket	£0.32
7 Pin Line Plug	£0.34
7 Pin Chassis Socket	£0.34
8 Pin Line Plug	£0.45
8 Pin Chassis Socket	£0.36

Phono Series

Red Line Plug	£0.20
Black Line Plug	£0.20
Yellow Line Plug	£0.20
White Line Plug	£0.20
Red Line Socket	£0.20
Black Line Socket	£0.20
Yellow Line Socket	£0.20
White Line Socket	£0.20
Red Chassis Socket	£0.20
Black Chassis Socket	£0.20
Gold Plated Plug - Red	£0.76
Gold Plated Plug - Black	£0.76

XLR Series - metal

3 Pin Line Plug	£1.50
3 Pin Line Socket	£1.82
3 Pin Chassis Plug	£1.36
3 Pin Chassis Socket	£1.70

RF Connectors

BNC Plug 50Ω Solder	£0.93
BNC Plug 50Ω Crimp	£0.56
BNC Plug 75Ω Solder	£0.96
BNC Plug 75Ω Crimp	£0.70
BNC Chassis Socket	£0.80
F Plug - Twist	£0.27
F Plug - Crimp	£0.30
TNC Plug Solder	£0.78
TNC Plug Crimp	£0.78
UHF Plug 5mm Cable	£0.72
UHF Plug 11mm Cable	£0.66
UHF Chassis Skt - Srd	£0.45
UHF Chassis Skt - Srd	£0.58

Terminals

All Available in - Red, Black, Green, Blue, White or Yellow	
2mm Solder Plugs	£0.18
2mm Chassis Sockets	£0.20
4mm Solder Plugs	£0.30
4mm Stackable Plugs	£0.40
4mm Chassis Sockets	£0.23
4mm Binding Posts	£0.54
33mm Crocodile Clips	£0.13

Power Connectors

DC Plug 0.71D, 2.35OD	£0.46
DC Plug 1.31D, 3.40D	£0.32
DC Plug 1.71D, 4.00D	£0.46
DC Plug 1.71D, 4.75OD	£0.46
DC Plug 2.11D, 5.00D	£0.24
DC Plug 2.51D, 5.00D	£0.24
DC Plug 3.11D, 6.30D	£0.46
DC Line Socket 2.1mm	£0.56
DC Line Socket 2.5mm	£0.50
DC Chassis Skt 2.1mm	£0.46
DC Chassis Skt 2.5mm	£0.46

IEC Mains 6A 250Vac

3 Pin IEC Line Socket	£0.96
3 Pin IEC Line Plug	£1.83
3 Pin Chassis Socket	£0.56
3 Pin Chassis Plug	£0.72

8 Way Bulgin

8 Pin Line Plug P551	£3.93
8 Pin Chassis Skt P552	£1.25

Toggle Switches

Sub-Miniature	
3A 125V 1A 250V	
5mm Ø Mounting Hole	
SPST 5 x 10mm	£0.58
SPDT 5 x 10mm	£0.60
SPDT C/Oif 5 x 10mm	£0.86
DPDT 9.2 x 10mm	£0.66

Miniature	
6A 125V 3A 250V	
6.2mm Ø Mounting Hole	
SPST 8 x 13mm	£0.66
SPDT 8 x 13mm	£0.60
SPDT C/Oif 8 x 13mm	£0.64
SPDT C/O Biased 2 way	£1.04
SPDT C/O Biased 1 way	£1.04
DPDT 12 x 13mm	£0.72
DPDT C/Oif 12 x 13mm	£0.76
DPDT C/O Biased 2 way	£1.28
DPDT C/O Biased 1 way	£1.28

Standard	
10A 250V Push on terminals	
11mm Ø Mounting Hole	
SPST 18 x 30mm	£1.14
SPDT 18 x 30mm	£1.28
SPDT C/Oif 18 x 30mm	£1.52
DPDT 21 x 30mm	£1.78
DPDT C/Oif 21 x 30mm	£1.78

Slide Switches

Miniature	
300mA 125V	
7 x 15mm Mounting Hole	
DPDT 7 x 23mm	£0.15

Rotary Switches

150mA 250V	
Make before Break 22mm Ø	
9.8mm Ø Mounting Hole	
1 Pole 12 Way	£0.84
2 Pole 6 Way	£0.84
3 Pole 4 Way	£0.84
4 Pole 3 Way	£0.84

Push Switches

Miniature Round	
250mA 125V 28 x 10mm	
7mm Ø Mounting Hole	
Non Latching Push to Make	
Black PTM	£0.25
Red PTM	£0.25
Yellow PTM	£0.25
Green PTM	£0.25
Blue PTM	£0.25
White PTM	£0.25
Non Latching Push to Break	
Black PTB	£0.25

Standard Square

1A 250V	
39 x 15MM	
12mm Ø Mounting Hole	
Non Latching Push to Make	
Black PTM	£0.60
Red PTM	£0.60
Blue PTM	£0.60
White PTM	£0.60
Latching	
Black	£0.63
Red	£0.63
Blue	£0.63
White	£0.63

Rocker Switches

Miniature	
6A 250V Solder Tags	
SPST 21 x 14 x 16mm	£0.63
DPDT 21 x 24 x 22mm	£0.96

Standard

15A 250V Push on Tags	
SPST 30 x 11 x 22mm	£0.62
DPDT 30 x 25 x 22mm	£1.12

Illuminated

15A 250V Push on Tags	
SPST 30x14mm Red	£0.84
DPDT 30x25mm Red	£1.40
DPDT 30x25mm Amber	£1.40
DPDT 30x25mm Green	£1.40

Relays

PCB Mounting	
1A 24Vdc DPDT 5V	£1.44
1A 24Vdc DPDT 12V	£1.44
3A 110V SPDT 6V	£0.58
3A 110V SPDT 12V	£0.58
5A 110V SPDT 6V	£0.72
5A 110V SPDT 12V	£0.93
5A 110V DPDT 6V	£0.93
5A 240V DPDT 6V	£1.76
5A 240V DPDT 12V	£1.76
10A 240V SPDT 6V	£1.25
10A 240V SPDT 12V	£1.44
10A 240V SPDT 24V	£1.44

Computer Accessories

Adaptors	
9M Gender Changer	£2.33
9F Gender Changer	£2.33
25M Gender Changer	£2.66
25F Gender Changer	£2.80
9 Male - 25 Female	£2.51
9 Female - 25 Male	£2.67
9M - 6 Mini Din Male	£2.55
9F - 6 Mini Din Female	£2.26
5M Din - 6M Mini Din	£3.02
5F Din - 6M Mini Din	£2.28

Testers / Patch Boxes

Mini Tester 7 LEDs	£6.68
Check Tester 18 LEDs	£7.11
Enhanced LED/Switches	£15.25
25D Jumper Box M-F	£2.90
25D Patch Box M-F	£7.32
Anti-Static Wrist Strap	£5.30
RS232 Surge Protector	£5.43
Mains Surge Protector	£11.99

Leads & Cables

1.5m Printer Lead	£3.40
5m Printer Lead	£9.38
10m Printer Lead	£12.38
Serial Printer 25M-9F	£4.20
Serial Printer 25M-25F	£4.45
Null Modem 9F-9F	£3.45
Null Modem 25F-25F	£4.63
Null Modem 9x25-9x25	£5.54
Modem Lead 25M-9F	£4.08
Modem Lead 25M-25F	£4.75
Interlink Lead 25F-9F	£6.50
Interlink Lead 25F-25F	£6.50
Interlink Lead 25M-25M	£6.50
Patch Lead 25M-25M	£4.66
Patch Lead 36M-36M	£5.90
Floppy Drive Cable A/B	£4.50
Hard Disk Cable 2x18E	£2.90
Power Cable 3/2-2 x 3/2	£1.88
Power Cable 3/2-2 x 5/2	£2.24
Power Cable 3/2-2 x 3/2	£2.24
Power Cable 5/2-3/2	£2.24

Networking

BNC T Piece FFF	£2.40
BNC T Piece FFF	£2.40
BNC Coupler F	£1.02
BNC Coupler M	£1.65
BNC Ratchet Crimper	£17.44
RJ45 IDC Plug	£0.39
Thinnet Cable per m	£0.48

Boxes & Cases

Many more sizes available	
---------------------------	--

General Purpose Plastic

75 x 50 x 25mm	£0.88
75 x 51 x 22mm	£0.88
111 x 57 x 22mm	£0.99
79 x 61 x 40mm	£1.47
100 x 76 x 41mm	£1.58
118 x 98 x 45mm	£1.83
150 x 100 x 60mm	£2.51
150 x 80 x 50mm	£2.36

Diecast Aluminium

50 x 50 x 31mm	£2.24
100 x 50 x 25mm	£2.98
120 x 62 x 31mm	£3.55
5mm IR Emitter	£0.25
150 x 80 x 50mm	£5.36
121 x 95 x 61mm	£5.99

Two Piece Aluminium

133 x 70 x 37mm	£2.08
102 x 102 x 37mm	£1.94
102 x 70 x 37mm	£1.76
133 x 102 x 37mm	£2.19
102 x 63 x	

EVERYDAY PRACTICAL ELECTRONICS

VOL. 26 No. 3

MARCH '97

Editorial Offices:
EVERYDAY PRACTICAL ELECTRONICS EDITORIAL
ALLEN HOUSE, EAST BOROUGH, WIMBORNE
DORSET BH21 1PF
Phone: Wimborne (01202) 881749
Fax: (01202) 841692. Due to the cost we cannot reply to orders
or queries by Fax.

E-mail: editorial@epemag.wimborne.co.uk
Web Site: http://www.epemag.wimborne.co.uk

See notes on Readers' Enquiries below - we regret lengthy
technical enquiries cannot be answered over the telephone.

Advertisement Offices:
EVERYDAY PRACTICAL ELECTRONICS
ADVERTISEMENTS
HOLLAND WOOD HOUSE, CHURCH LANE
GREAT HOLLAND, ESSEX CO13 0JS
Phone/Fax: (01255) 850596

NO PAIN - NO PROBLEM!

Electronics can be applied to almost any problem and, even where the subject is far removed from technology as we know it, electronics often comes to the rescue. An outstanding example of this is our new *Simple Dual-Output TENS Unit*.

The Victorians thought that electric shock treatment could help with some medical problems but the refinement of a unit which can be built reasonably cheaply to block pain has been a major breakthrough. Although TENS machines have been around for many years now, their acceptance in the medical profession has taken some time. Nowadays, however, many people have experienced the relief that these items can provide, without the potentially harmful side effects of drugs.

For those who want to know a little more about how to use TENS machines - the do's and don'ts plus the how and why - we are pleased to be able to make some information available. The "Home Help" box in the TENS article gives details on how you can obtain this information. Our thanks to Julia Kidson and Dr. H. Thiel of the Anglo-European College of Chiropractic for their help with this.

NEGATIVE VIEW

On a similar, but not such a spectacular, theme the *Video Negative Viewer* is also a problem solving gadget. It's a bit like reverse engineering - using electronics to solve a problem caused by older technology. Photography is rapidly becoming digitised, although we are still some way from inexpensive quality digital cameras. However, most of us have colour negatives going back many years and our simple project allows these to be put onto videotape or fed, via a video card, into a computer, etc. The unit can also provide some extra special effects for those film makers who like to experiment. Perhaps it's the versatility of modern technology that helps to make our hobby so fascinating to people from all walks of life?



SUBSCRIPTIONS

Annual subscriptions for delivery direct to any address in the UK: £24. Overseas: £30 standard air service (£47.50 express airmail). Cheques or bank drafts (in £ sterling only) payable to *Everyday Practical Electronics* and sent to EPE Subscriptions Dept., Allen House,

East Borough, Wimborne, Dorset BH21 1PF. Tel: 01202 881749. Subscriptions start with the next available issue. We accept MasterCard or Visa. (For past issues see the *Back Issues* page.)

BINDERS

Binders to hold one volume (12 issues) are available from the above address. These are finished in blue p.v.c., printed with the magazine logo in gold on the spine. Price £5.95 plus £3.50 post and packing (for overseas readers the postage is £6.00 to everywhere except Australia and Papua New Guinea which cost £10.50). *Normally sent within seven days but please allow 28 days for delivery - more for overseas orders.*

Payment in £ sterling only please. Visa and MasterCard accepted, minimum credit card order £5. Send or phone your card number and card expiry date with your name, address etc.



Editor: MIKE KENWARD

Secretary: PAM BROWN

Deputy Editor: DAVID BARRINGTON

Technical Editor: JOHN BECKER

Business Manager: DAVID J. LEAVER

Subscriptions: MARILYN GOLDBERG

Editorial: Wimborne (01202) 881749

Advertisement Manager:

PETER J. MEW, Frinton (01255) 850596

Advertisement Copy Controller:

DEREK NEW, Wimborne (01202) 882299

READERS' ENQUIRIES

We are unable to offer any advice on the use, purchase, repair or modification of commercial equipment or the incorporation or modification of designs published in the magazine. We regret that we cannot provide data or answer queries on articles or projects that are more than five years old. Letters requiring a personal reply *must* be accompanied by a **stamped self-addressed envelope or a self-addressed envelope and international reply coupons. Due to the cost we cannot reply to queries by Fax.**

All reasonable precautions are taken to ensure that the advice and data given to readers is reliable. We cannot, however, guarantee it and we cannot accept legal responsibility for it.

COMPONENT SUPPLIES

We do not supply electronic components or kits for building the projects featured, these can be supplied by advertisers.

We advise readers to check that all parts are still available before commencing any project in a back-dated issue.

We regret that we cannot provide data, or answer queries, on projects that are more than five years old.

ADVERTISEMENTS

Although the proprietors and staff of EVERYDAY PRACTICAL ELECTRONICS take reasonable precautions to protect the interests of readers by ensuring as far as practicable that advertisements are *bona fide*, the magazine and its Publishers cannot give any undertakings in respect of statements or claims made by advertisers, whether these advertisements are printed as part of the magazine, or in inserts.

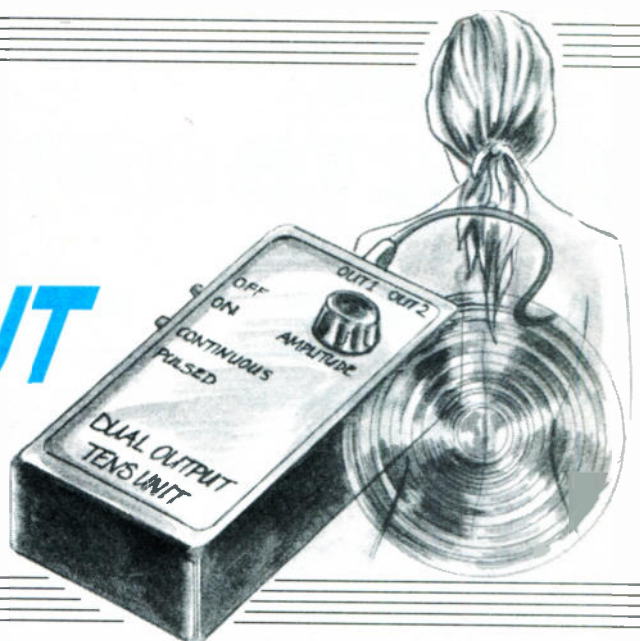
The Publishers regret that under no circumstances will the magazine accept liability for non-receipt of goods ordered, or for late delivery, or for faults in manufacture. Legal remedies are available in respect of some of these circumstances, and readers who have complaints should first address them to the advertiser.

TRANSMITTERS/BUGS/TELEPHONE EQUIPMENT

We advise readers that certain items of radio transmitting and telephone equipment which may be advertised in our pages cannot be legally used in the UK. Readers should check the law before buying any transmitting or telephone equipment as a fine, confiscation of equipment and/or imprisonment can result from illegal use or ownership. The laws vary from country to country; overseas readers should check local laws.

SIMPLE DUAL-OUTPUT TENS UNIT

ANDY FLIND



It is claimed that up to 70 per cent of the "millions" of "pain" victims get some relief by using a TENS Unit.

Our unit will cost you a lot less than similar units used by the NHS! It also features dual output, useful for treating larger or more deep-seated sources of pain.

ATENS device is an electronic painkiller. The name is an acronym for *Transcutaneous Electrical Neural Stimulation*, which means that it passes brief pulses of current through the skin to stimulate underlying nerves. This can *alleviate* pain, in many cases as effectively as powerful painkilling drugs but without the harmful and unpleasant side effects often associated with these.

Opinions differ as to why it works, but the generally accepted theory is that it shuts "gates" in the major pain transmitting nerve systems which block transmission of the pain signals to the brain. Another theory is that it stimulates the production of "endorphins" which are natural painkilling substances similar to opiates but again without harmful side effects.

Once considered to be "alternative" therapy, TENS is now widely used in orthodox medicine and advertisements for TENS units regularly appear in the national press. These are expensive though, so home construction is a very worthwhile proposition.

EFFECTIVE RELIEF

Two TENS projects (*Simple and Advanced TENS Unit*) featured in the May and June 1994 issues of *EPE* proved very popular and letters from constructors left no doubt about their effectiveness. These two designs were not without problems for constructors, though. A fairly high voltage is

required to ensure an adequate current through the impedance of the skin and the electrodes used, so where the unit is powered by a small battery, a voltage-raising circuit is needed.

Commercially supplied TENS often have a very simple circuit with a transformer to boost the output voltage to the required level. To date the author has not found a suitable transformer available "off-the-shelf", so an alternative approach is used, generating the high voltage to begin with and using suitable high voltage output circuitry.

The generator in the two earlier designs was of the "charge pump" diode and capacitor type, using many diodes and capacitors. To accommodate these in a

small case, the diodes were mounted vertically, making construction tedious.

The two designs were a "Simple" one and an "Advanced" circuit with variable output pulse frequency and width. Subsequent experience suggests these facilities are probably unnecessary, the only control really necessary is for output voltage amplitude and a "pulsed" mode, which is useful for longer treatments or where the relief obtained diminishes because the user's body becomes accustomed to continuous stimulation.

The version twice loaned out by the author to friends awaiting major back surgery was the Simple one, and in both cases excellent results were reported.

NEW DESIGN

This new design once again uses the principle of generating a high voltage to start with, but the converter is a "switch-mode" type which is much simpler to construct. The output is controlled by simple astable and monostable circuits which are easier to understand and troubleshoot than the counter and decoder circuits of the previous designs. It also lends itself more easily to modification and experiment if constructors are unable to resist this!

Another new feature is dual output, useful for treating larger or more deep-seated sources of pain. This is simply a pair of outputs in parallel from a common driver stage, made possible by the ample power available from the switch-mode converter.

PLEASE NOTE

A TENS unit should NOT be used by anyone with a Heart Pacemaker, especially where the pacemaker is of the "Demand" type which might interpret pulses from the TENS as signals from the heart.

TENS should NOT be connected in a way that would cause signals to pass across the heart, such as one on each arm. Care should be taken to avoid this when using both outputs.

Electrodes should NOT be placed in the area of the Carotid arteries in the neck, as this may affect nerves controlling breathing and blood pressure.

TENS current should never be allowed to flow across the head - Do NOT use TENS for Headaches!

Medical advice should be sought for any persistent source of pain. TENS only relieves symptoms, it does NOT cure. If in any doubt YOU MUST consult YOUR doctor.

HOME HELP

Readers with Internet access will be interested to hear of a new EPE World Wide Web resource which offers more background and specific information on the correct use of TENS units, to help counter back pain and other ailments in an appropriate manner.

This material has been researched and specially written for us by Julia Kidson, a chiropractor working in association with the Anglo-European College of Chiropractic (AECC), in Bournemouth, Dorset, the largest college of its type in Europe. *Everyday Practical Electronics* is extremely grateful for the assistance and co-operation offered to EPE by all concerned, especially Julia and Dr. H. Thiel of AECC.

Please check our Web Site Home Page for the latest details, plus links to the new AECC Home Page and EPE TENS Page, on <http://www.epemag.wimborne.co.uk/index.htm>.

A printed version is available for non-Internet users from the Editorial Offices for the sum of £2.50 UK, £3.10 overseas surface mail or £4.10 airmail. This is to cover admin costs and postage. The information is Free with all p.c.b. orders (see *EPE PCB Service* page).

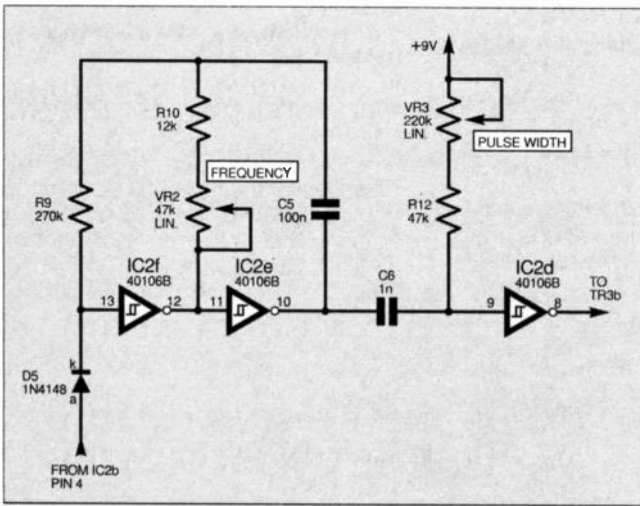


Fig. 2. Circuit modifications for pulse width and frequency experiments.

of about 130µs appear at the output pin 8. This is the "Continuous" output mode.

If switch S2 is opened, the second astable built from IC2a and IC2b runs at about 2Hz. Whilst the output from IC2b is positive, D5 conducts and stops the first oscillator. The two resistors R7 and R8 with diode D4 give this second astable an uneven mark-space ratio, so that the output is present for about a third of the time on average - "Pulse" mode.

When S2 is closed the output from IC2b is permanently low, reverse-biasing D5 for continuous output. The gate IC2c drives l.e.d. D6, which is illuminated continuously during continuous output and flashes in the "Pulsed" mode.

PULSE WIDTH/ FREQUENCY CONTROL

The action of this part of the circuit should be much easier to follow than that of the two previous circuits. This will make it simpler for constructors who wish to experiment with pulse width and frequency using the circuit modifications as shown in Fig. 2.

Resistor R10 controls the frequency, so replacing it with a 12k component in series with a 47kilohm variable resistor (potentiometer) VR2 should give a frequency range of about 50Hz to 270Hz. R12 controls pulse width, so replacing it with 47k resistor in series with a 220k potentiometer (wired as a variable resistor) VR3 should give a pulse width of about 40µs to 230µs.

Control of the pulse width should be fairly linear but, being the reciprocal of the period, the frequency control implemented in this way will be non-linear, although still useable. These are calculated values, in practice some experiment will be needed.

OUTPUT CIRCUIT

The output stage is similar to that of the previous designs with 2N5551 and 2N5401 transistors to control current from the high voltage supply. When the output of IC2d is "high", it applies the supply voltage of 9V to the base (b) of transistor TR3. Most of this voltage appears at TR3 emitter (e), causing a current of about 0.5mA to flow through this resistor into the emitter and out through the collector (c) of TR3 into the base (b) of TR4.

This turns on TR4 so that the 80V supply appears across Amplitude control VR1. An adjustable proportion of this is taken from VR1's wiper to drive the emitter-follower pair of transistors TR5 and TR6, which provide power for the output pulse.

Capacitor C7 ensures that the average d.c. current from the output is always zero to prevent electrode polarisation problems. It also prevents a continuous d.c. voltage appearing across the electrodes if a fault should occur.

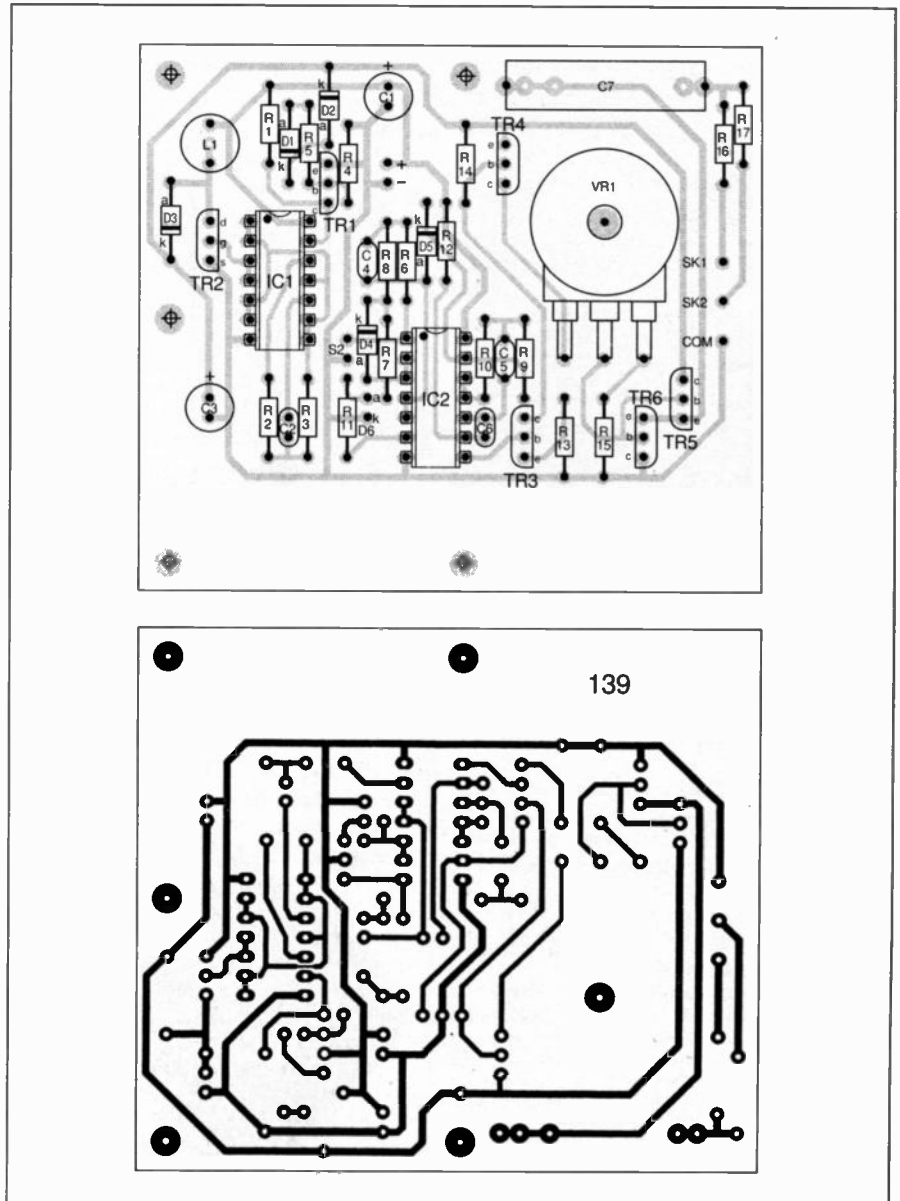


Fig. 3. Printed circuit board component layout and full size underside copper foil master pattern for the Dual-Output TENS Unit.

The output is capable of driving two pairs of electrodes simultaneously, so two sockets, SK1 and SK2, are provided, wired in parallel. The two series resistors R16 and R17 prevent damage if the electrode leads are accidentally short-circuited, and also encourage current sharing when two pairs of electrodes are in use.

COMPONENTS

Resistors

R1	100k
R2	33k
R3, R14	10k (2 off)
R4, R5	470k (2 off)
R6	1M
R7, R8	220k (2 off)
R9	270k
R10	27k
R11	2k7
R12	150k
R13	18k
R15	470Ω
R16, R17	390Ω (2 off)

All 0.6W 1% metal film

Potentiometer

VR1	10k rotary carbon, linear
-----	---------------------------

Capacitors

C1	220μ radial elect. 16V
C2	470p resin-dipped ceramic
C3	10μ radial elect. 100V
C4	470n resin-dipped ceramic
C5	100n resin-dipped ceramic
C6	1n resin-dipped ceramic
C7	1μ polypropylene 160V or 1μ polyester 250V

Semiconductors

D1	BZX61C33 33V Zener diode
D2	BZX61C47 47V Zener diode
D3, D4	
D5	1N4148 signal diode (3 off)
D6	3mm low-current type l.e.d.
TR1	ZTX108 npn silicon transistor
TR2	ZVN4310A n-channel MOSFET transistor
TR3, TR5	2N5551 npn silicon transistor (2 off)
TR4, TR6	2N5401 pnp silicon transistor (2 off)
IC1	4093B CMOS quad 2-input Schmitt NAND gate
IC2	40106B CMOS Hex Schmitt inverting buffer

Miscellaneous

L1	470μH ferrite-cored miniature choke
S1, S2	d.p.d.t. sub-min. slide switch (2 off)
SK1, SK2	3.5mm mono jack socket (2 off)
PL1, PL2	3.5mm mono jack plug (2 off)
B1	9V battery (PP3), with connector clip

Printed circuit board available from EPE PCB Service, code 139; plastic ABS case, size 145mm x 80mm x 34mm with battery compartment; 14-pin d.i.l. socket (2 off); 2mm test plugs, to fit sockets on most electrodes (4 off); electrodes - see text and *Shoptalk* page; plastic, low-profile, knob; multi-strand connecting wire; solder etc.

Approx Cost
Guidance Only £24.50
excl. Batt. & Electrodes

CONSTRUCTION

Assuming the recommended case is to be used, construction should start with a check to see that the printed circuit board (p.c.b.) fits on the five moulded pillars provided for mounting it. It sits on these with the copper side facing them, of course.

The hole for the shaft of VR1 can be marked on the case lid using the p.c.b. as a template before drilling. The holes for the two output sockets and the l.e.d., in the lid top edge, can be marked. The two slide

switches S1 and S2, mounted in one side panel of the case lower half, can also be drilled and filed out at this time.

Although dimensions are not critical the p.c.b. has been designed to leave space for these components above and to the right, as viewed from the rear. The general layout can be seen in the photographs.

The printed circuit board component layout and full size underside copper master pattern are shown in Fig. 3. This board is available from the EPE PCB Service, code 139.

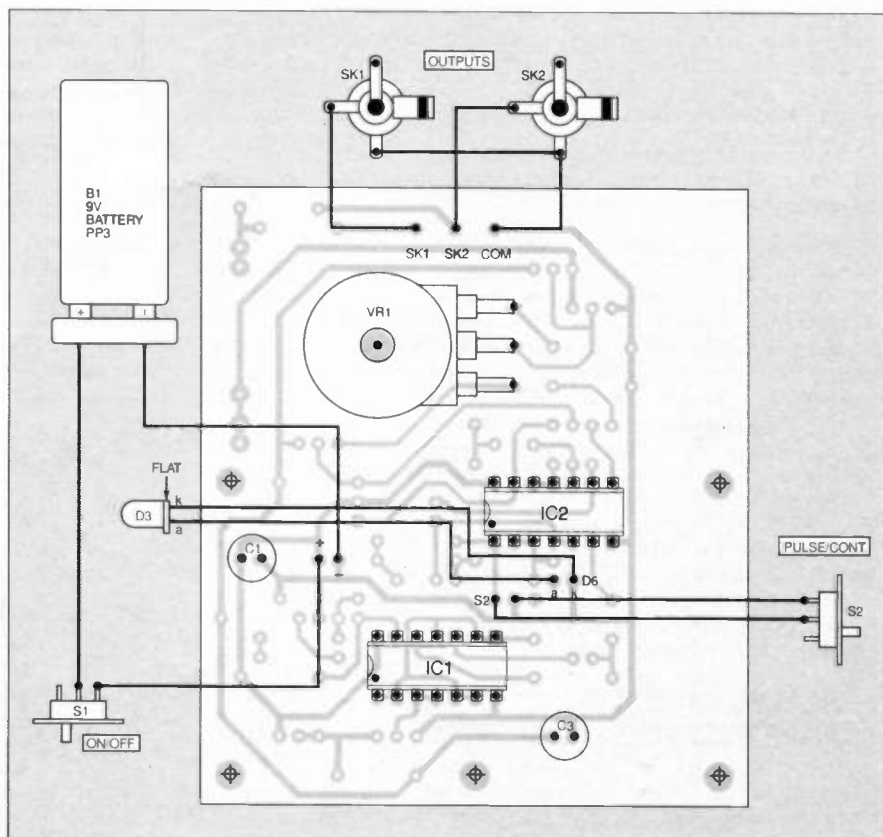
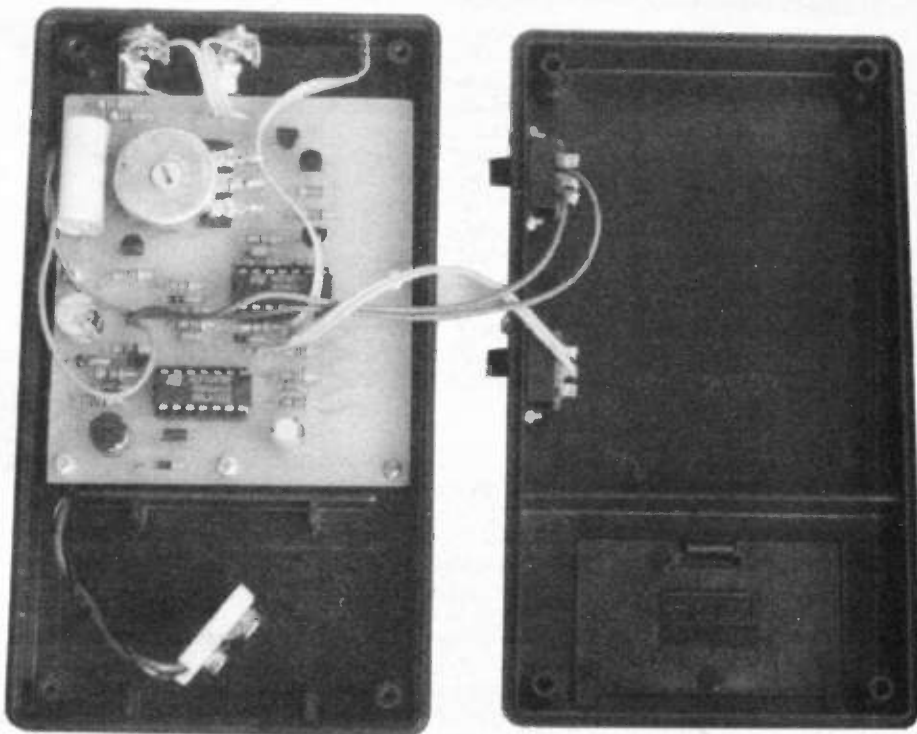


Fig. 4. Interwiring from the p.c.b. to off-board components. The general layout of components inside the case is shown below.



The components can all be fitted to the board next, with the exception of IC1, IC2 and the MOSFET TR2, as shown in Fig. 3. Assembly should be in the usual priority order of physical height, starting with the resistors and diodes, followed by the d.i.l. sockets for the two i.c.s, then the small ceramic capacitors and the remaining components.

Extra care should be taken when fitting components for the voltage converter section around IC1, ensuring that Zener diodes D1 and D2 and transistor TR1 are the correct way round etc. Switch-mode supplies have an unpleasant tendency to self-destruct if not operating correctly, which makes trouble-shooting difficult! Although this is a simple one, it is preferable by far to have it operate properly first time.

sisters having different lead connections to those used in the prototypes. This applied mainly to the BC327/337 types which are not used in this project, but at least one reader reported difficulties with the 2N5401/5551 transistors.

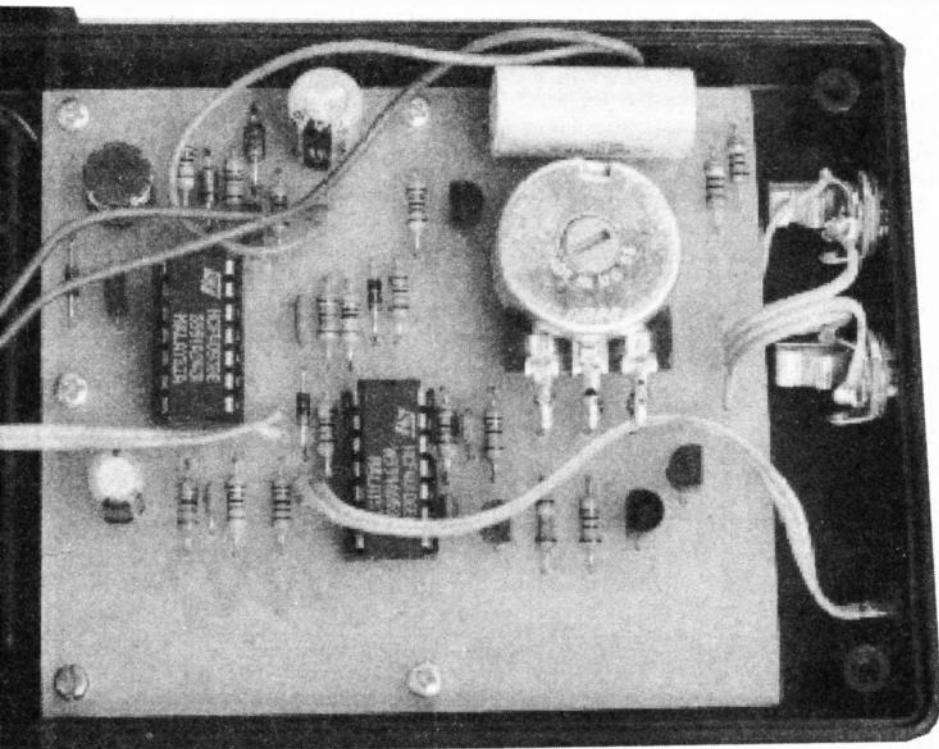
If there is any doubt about these they should be checked before insertion. A simple test is to use a meter to see if they look like two diodes connected back-to-back, with both anodes at the base for an *npn* type and cathodes to the base for a *pnp*.

One of the specified coils should be used for L1 (see *Shoptalk*). Both types were tried in the prototype and gave virtually identical results in terms of efficiency. Copper pads are provided to suit the lead spacing of either.

Although the supply is only 9V,* it should be remembered whilst testing that



Positioning of the output sockets, i.e.d. and slide switches on the finished unit.



Layout of components on the completed printed circuit board.

The Amplitude control VR1 is fitted to the board with the minimum length of mounting bush projecting above the board, just sufficient for the nut and a shakeproof washer. This requires spacing washers or another nut on the other side.

It is best to solder short lengths of wire to VR1's connections before fitting it and pass these through their holes as it is fitted, soldering them to the board after the nut has been tightened. Mounting VR1 on the board in this way allows a small, low profile knob to be used as there is no nut on the outside of the case.

TAKE CARE

For safety, the output capacitor C7 should have the recommended 160V or higher rating. The prototype uses a polypropylene component readily available from a major supplier, but there are also polyester types of adequate voltage rating which could be used instead. Various pad spacings are provided to suit different lead spacings for this component.

Some constructors of the two previous designs encountered problems with tran-

sistors having different lead connections to those used in the prototypes. This applied mainly to the BC327/337 types which are not used in this project, but at least one reader reported difficulties with the 2N5401/5551 transistors.

when the converter is operating 80V will be present. The danger of shock is not very great, it's more likely to tickle, but the charge in electrolytic capacitor C3 can easily damage other components through accidental short circuits so precautions should be taken to prevent this occurring. The usual care should be taken to prevent static damage to the CMOS components IC1 and IC2 and the MOSFET TR2.

BOARD TESTING

Following p.c.b. assembly, leads should be connected to the board for power, output, switch S2 and the i.e.d. The i.e.d. can be connected, IC2 fitted and the circuit powered. The i.e.d. should flash, indicating operation of the pulsing astable.

The supply current will pulse in time with it but should be no more than 2.5mA. If the leads for switch S2 are shorted together the i.e.d. should remain on continuously, and the current drawn from the supply should be a steady 2.5mA.

Voltages measured with a meter on IC2 pins 10 and 12 should be around half the supply in this condition, although they

are actually oscillating between the supply rails at about 120Hz. It may be possible to see a voltage indication from pin 8, but due to the narrow pulse width at this point it will be small, a tiny fraction of a volt.

Next, IC1 should be inserted in its socket, see Fig. 3. Without TR2, there will be insufficient voltage for current to flow through Zener diodes D1 and D2 so transistor TR1 will remain "off" and the oscillator will run. Pins 3, 4, 10 and 11 should therefore all give a measured voltage of about half the supply, although actually oscillating at 65kHz.

If this is the case, TR2 can now be fitted, taking care to place it the right way round. It has a small heatsink tab and also a "flat" which should face IC1. The p.c.b. can be powered-up again whilst monitoring the output voltage, a good place to measure this is the cathode (top) of D2, where the 80V supply should be present.

Hopefully, the warnings about this part of the circuit won't discourage potential constructors as the components used, including TR2, are actually quite robust. They took a lot of punishment during circuit development and testing and there have been no failures to date.

FINAL ASSEMBLY

Following this it remains only to fit the board into the case and connect it to the switches, output sockets and i.e.d. as shown in Fig. 4. Any suitable case can be used of course, but the one specified is quite compact and has a battery compartment to make replacement quick and easy.

With the layout used it would also be easy to fashion a belt clip from sheet metal and bolt it to the rear half. The control knob used on the prototype was chosen for the lowest possible profile, as inadvertent movement of this during use can prove rather disconcerting to the user.

ELECTRODES

Electrodes can be home-made, using cotton wool pads and a salt solution or "K-Y" gel for the contact. *Metal contact with the skin should be avoided as it can cause electrode burns, even with tiny currents.*

This procedure is likely to be messy however, so it is much better to obtain some self-adhesive electrodes from a commercial supplier. These are very easy to apply and are re-useable so they last

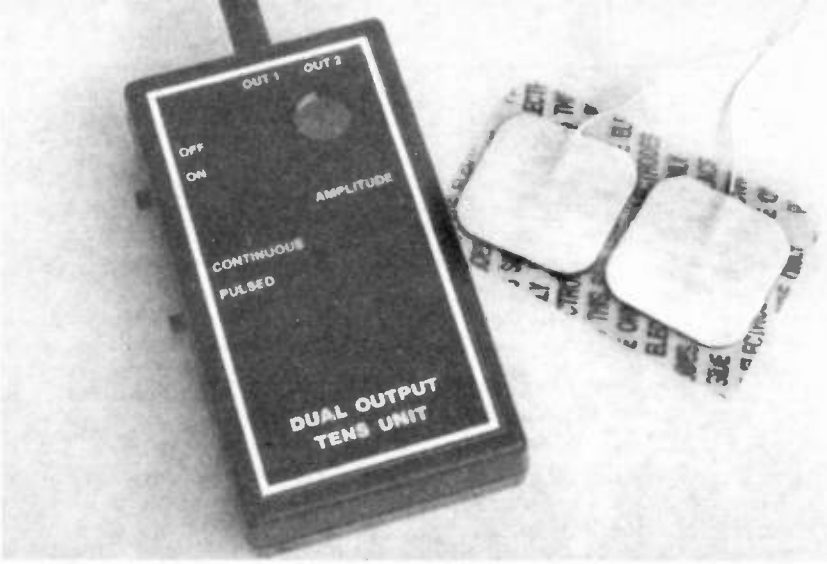
for many sessions before having to be replaced. Types measuring about 45mm × 45mm square are suitable for most treatments, and they come with wires terminated with 2mm sockets ready to attach directly to the plugs specified in the Component List. See *Shoptalk* for details of a supplier.

Either or both outputs may be used, two being better for treating large areas or two areas simultaneously. Users intending to use both regularly might like to colour-code the leads for "output" and "common", to assist in positioning experiments.

The *warnings* about siting electrodes (see "Please Note" panel) should be read carefully before placing them. In general they are placed either side of the source of pain. For lower back pain and sciatica, one either side of the base of the spine is recommended.

Although for obvious reasons they SHOULD NOT normally be placed on the head, TENS is recommended for trigeminal neuralgia, where they are placed on the same side of the head, one at the back of the jaw and one just in front of the ear.

The electrodes should NOT be sited where current might pass across the heart, and as the two outputs of this project are connected in parallel this point should be remembered where two pain sites are being treated simultaneously. Users of *Pacemakers SHOULD NOT* use TENS, especially where the pacemaker is of the "demand" type as this might interpret a TENS pulse as a signal from the heart. *Where there is any doubt a Doctor MUST be consulted.*



Completed TENS unit with commercial electrodes plugged in ready for the "patient".

TREATMENT

Treatment usually lasts for 20 to 30 minutes, though a lady of the author's acquaintance used one almost continuously whilst awaiting surgery for a very painful back condition without any apparent ill-effects.

The electrodes are set in place, and the Amplitude control turned right down before switching on. Then it is increased until a pleasant tingling is felt, which indicates the correct setting.

After a while the body usually becomes accustomed to the current so the tingling diminishes, and the amplitude should then be increased until it can be felt again. If the relief obtained lessens, or a long session is required, it may be

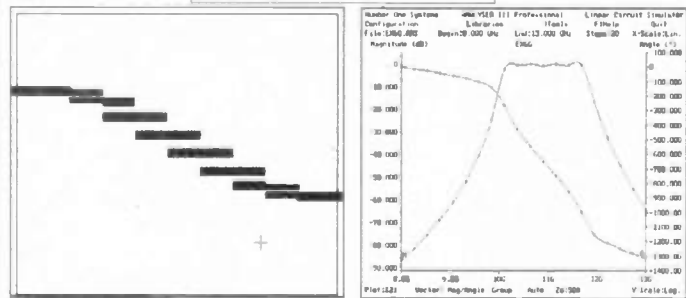
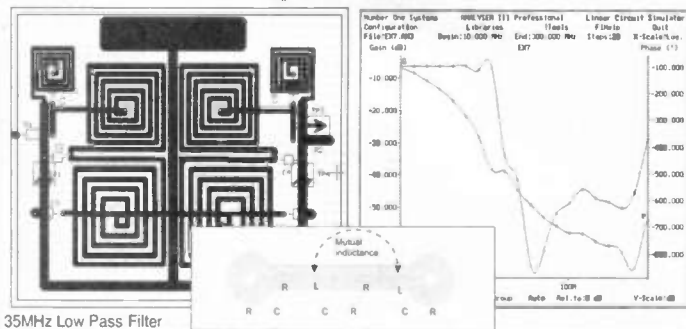
advisable to try the Pulsed mode instead of the Continuous one.

Average current consumption during use depends on the amplitude setting, but will normally be about 10mA to 20mA. For long-term use NiCad batteries or an external battery pack could be used, but for safety *this unit must NEVER be used with any kind of mains adapter.*

Current research states that about 70 per cent of TENS users obtain worthwhile relief, though feedback concerning the two previous designs suggests it may be even higher than this. One final important point to note is that TENS only *relieves* symptoms. It does NOT cure anything. *Anyone suffering persistent pain for no apparent reason should consult a doctor.* □

Analogue Design? Simulate the effect of the Layout!

LAYAN - Affordable Electromagnetic Simulation



10.7GHz Parallel Coupled Stripline Filter

For less than £1000!



Affordable Electronics CAD

EASY-PC Professional XM : Schematic Capture and PCB CAD. Links directly to ANALYSER III, LAYAN and PULSAR.	\$475.00	£245.00
MultiRouter: Multi-pass, Shape Based, 32 bit, shove aside, and rip up and re-try Autorouter for EASY-PC Professional XM	\$575.00	£295.00
PULSAR: Digital Circuit Simulator	\$195.00	£98.00
ANALYSER III: Linear Analogue Circuit Simulator	\$195.00	£98.00
LAYAN: Electro-Magnetic PCB Layout Simulator. Include Board Parasitics in your Analogue Simulations.	\$950.00	£495.00
FILTECH: Active and Passive Filter Design	\$275.00	£145.00

We operate a no penalty upgrade policy. Technical support is FREE FOR LIFE. Special prices for Education

US\$ prices include Post and Packing
Sterling Prices exclude P&P and VAT.

Number One Systems

Ref: EVD, Harding Way, St. Ives, Cambridgeshire, PE17 4WR, UK.

For Demo Disk Please Write, Phone or Fax.

Tel: +44 (0) 1480 461778

Fax: +44 (0) 1480 494042

<http://www.numberone.com>

FOX REPORT

by Barry Fox



FAB INTEL PIPS APPLE

Sobering thought. If Apple had licenced the Mac Operating System, Motorola would now be where Intel is today.

Apple's refusal to licence let Microsoft make a success of DOS and Windows, which in turn made Intel the world's largest manufacturer of microprocessors; 75 per cent of the world's PCs using Intel CPUs. Last year Intel's revenue was \$16.2 billion, with a profit of \$3.6 billion of which \$3.5 billion was invested back into research and building new chip factories or "fabs".

Intel lays claim to the world's first microprocessor, the 4004, released a quarter of a century ago on November 1st 1971. It replaced 2,300 transistors with a single silicon slice, processed 60,000 instructions a second, and came from a wafer fabrication plant that cost \$1 million to build. The 4004 was designed for Japanese company Busicom to use in a calculator. Intel company founders Gordon Moore and Bob Noyce bought back all rights on the 4004, paying an ailing Busicom the \$60,000 development cost.

The 4004 took two engineers nine months to develop. First they built a breadboard model and used an oscilloscope to check performance. The fab workers used tweezers to load the silicon wafers onto quartz boats, which they then pushed into red hot furnaces.

The latest Pentium Pro processor replaces 5.5 million transistors, performs 300 million instructions per second and is made in fabs which cost £1.5 billion to build.

The 4004 cost \$200 (much the same as a Pentium today) and worked with 4-bit words. Then came the 8008, the first 8-bit chip; the 16-bit 8086 followed in 1981. The big break came when IBM chose the 8-bit 8088 as the heart of its first PC.

BIT OF HISTORY

In 1982 IBM used the 16-bit 286 (equivalent to 134,000 transistors) for the PC-AT. The 32-bit 386 (equivalent to 275,000 transistors) followed in 1985, with the 486 (1.2 million transistors) in 1989 and the first Pentium (3.1 million transistors) launched in 1993.

Intel now has 17 fabs round the world (numbered up to 18 because there was no fab 13). There is one in Ireland (fab 10) which makes all the Pentium processors for Europe, with another (fab 14) already under construction. A workforce of 3,500 works

24 hours a day, seven days a week in two twelve hour shifts to keep the furnaces running.

Intel is understandably reluctant to release too much inside information. But on some occasions the company's secrecy just makes it look foolish.

Like all modern microprocessors the Pentium is built by depositing layers of oxide and metal doping layers on the silicon surface. How many layers? The factory tour guide in Ireland will not say. But Intel's own publicity literature talks of 20 layers and 300 deposition and ion implant processes.

Intel uses 8-inch silicon wafers, with 0.6 micron line ruling. The wafer area is divided into a mosaic of Pentium chips, which are then diced and packaged, after the attachment of connecting pins. How many Pentiums per wafer? Again the factory guide will not say. But in the entrance hall to the factory there is a decorative plate made from a wafer of Pentium chips. It takes only a moment for a visitor to do a rough count and find that each wafer can generate 150 Pentiums.

YIELDING INFO

What is the yield? How many good chips can you get from each wafer? Just as CD pressing plants refused to talk of yields in the early days, Intel refuses even to hint at yield.

CD yield in the early days was less than 10 per cent, with nine CDs thrown away for every good one pressed. The manufacturers only admitted this when they had reversed the ratio, to 90 per cent yield. Today's CD yield is in the high 90s.

Pentium yield is likely still to be much lower than CD yield. One speck of dust can "kill" a chip. Air in the sensitive areas of the fab is purified to class 1, which means that there is only one particle of one micron size per 30 litres of air. The air flows from the ceiling down to ducts in the floor, with higher pressure inside the fabs than outside to prevent any leakage in from the dirty outside. Air flow is fast enough to create a complete change once every ten seconds. Workers must wear full protective clothing, with mouth masks to catch any moisture droplets from a cough or sneeze.

This level of air purity is a thousand times that of a hospital operating theatre. But it is still not clean enough to prevent some foreign particles falling by random on some parts of the wafer.

DUSTING OFF THE CRYSTAL

How do we know? Because of this it is still near impossible to make a large LCD screen without any faulty pixels. Sometimes they are painfully visible, especially if the fault is near the centre. Look closely at any fine pitch LCD screen and there is a good chance you will spot at least one pixel that does not switch its colour. Other faults are disguised by gang-switching neighbouring pixels.

Bear in mind that there are only 100,000 or so pixels on an LCD screen and they are large enough to be clearly visible to the naked eye. Now compare that to the five million transistors on each of the 150 Pentium chips on a single 8 inch wafer, with vital connecting parts measuring only 0.6 microns, which is around one-hundredth the width of a human hair. Now you get an idea of how difficult it is to make a perfect chip.

PRE-CHIP FAULT CHECKS

This is why chip manufacturers like Intel have now developed techniques to identify faulty chips before they are diced from the wafer. This saves the cost of attaching connecting wires and packaging a chip that will later have to be thrown away.

Reference transistors are formed between the Pentium chip areas. Applying a test probe to these transistor areas gives a broad indication of whether the overall wafer is good or bad. At the end of the wafer process further probes are used on the areas of the chips which will later be attached to connecting wires.

Texas Instruments claims that it can now work at 0.18 micron line spacing. All the manufacturers are hoping to move from 8 inch to 12 inch wafers. A smaller line spacing means more chips from a given area and a larger wafer means more chips per process.

The trade-off is that smaller line spacing means reduced yield. Larger wafers are more difficult to handle because they bow out of absolute flatness and this destroys the focus of the UV optics used to expose an image of the chip architecture on the photoresist coatings.

Intel claims that it has not yet decided what line spacing and wafer size it will use for fab 14 when it opens in two years time. By then the Pentium will be old hat. It is already scheduled for replacement by a new series of chips.

**TEACHERS - STUDENTS -
HOME USERS, ETC.**

attention

Your opportunity to save £££££'s

With this non commercial version of our software produced for single users, this is your dream come true!

Software as you are probably aware has no real material value, but is priced to recover the enormous costs of development. The software house tries to evaluate how many units will sell at a specific price to generate the amount needed and produce a healthy profit.

As the electronics marketplace shrinks, due to expanding competition, it means that, in reality, powerful user friendly software, such as EDWin, must be very highly priced and therefore remains inaccessible to the individual and small businesses.

Until today Norlinvest, one of the biggest software houses in the electronics sector, has decided to put onto the market a "Non Commercial" version of their EDWin software, which is known worldwide.

This is the first truly seamlessly integrated suite of software running in all Windows formats simulation, schematics and PCB design. At last allowing amateurs, teachers, students, in a word any "individual" to take advantage of *current technology, without any restriction.*

To avoid misunderstanding – there is no difference between the industrial software at £3,515.25 VAT inc. and the "NC Deluxe 3" at £114.00 VAT inc. – the difference rests solely in the licence. In other words, industry is subsidising the development costs and the individual can now take full advantage of this.

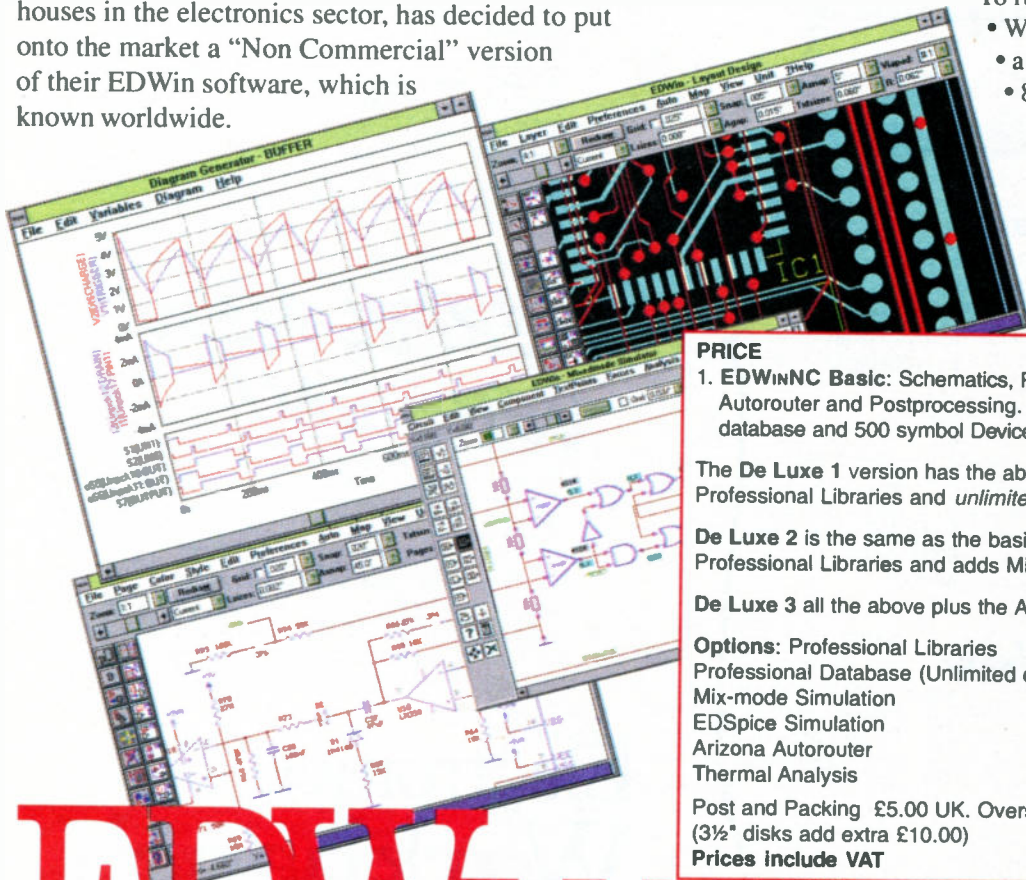
Computer Compatibility

To run the program you will need:

- Windows 3.x, Win95 or Win NT,
- a min. 386 processor
- 8mb of RAM • CD-ROM Drive



**All Major Credit
Cards Accepted**



PRICE

- | | |
|---|----------|
| 1. EDWinNC Basic: Schematics, PCB Layout with Basic Autorouter and Postprocessing. Max. 100 component database and 500 symbol Device Library. | £49.00. |
| The De Luxe 1 version has the above, but also includes Professional Libraries and <i>unlimited</i> database components. | £79.00. |
| De Luxe 2 is the same as the basic version, but with Professional Libraries and adds Mix-mode Simulation. | £79.00. |
| De Luxe 3 all the above plus the Arizona Autorouter. | £114.00. |
| Options: Professional Libraries | £24.00. |
| Professional Database (Unlimited components) | £24.00. |
| Mix-mode Simulation | £24.00. |
| EDSpice Simulation | £49.00. |
| Arizona Autorouter | £24.00. |
| Thermal Analysis | £19.00. |
| Post and Packing £5.00 UK. Overseas £10.00 for CD-ROM version (3½" disks add extra £10.00) | |
| Prices include VAT | |

EDWIN NC

ELECTRONIC DESIGN FOR WINDOWS NON COMMERCIAL

*This offer also applies to all
academic institutions –
minimum order two systems.*

Swift Designs Ltd., Business & Technology Centre, Bessemer Drive, Stevenage, Herts. SG1 2DX.

To order or for more information telephone: 01438 310133 fax: 01438 722751 or Email: designs@swiftdesigns.co.uk

New Technology Update

Semiconductor technology has come a long way since the first transistors were invented in the late 1940s – reports Ian Poole.

DESPITE the time for which semiconductor technology has been available, there are still only three semiconductor materials which are in common use: silicon, germanium, and gallium arsenide. Of these silicon is by far the most widely used.

Although only three materials are in common use this does not mean that they are the only ones which can be employed. There are many other materials which exhibit semiconductor properties, and some are now beginning to be used.

The first of these, silicon carbide has been under investigation for some time. However, its development has been restricted by the difficulties found in manufacturing substrates with sufficient quality.

TOUGH GOING

One of the main advantages of silicon carbide as a material is its extreme toughness. It will enable semiconductors to run at much higher temperatures allowing them to operate in areas where current devices cannot.

Apart from its temperature resilience, silicon carbide has a voltage breakdown which is about ten times that of silicon as well as having a much greater thermal conductivity. It has also been shown that it has a greater theoretical power density handling capacity. These properties make it a candidate for use in a number of applications.

One area of particular interest is that of sensors. Here silicon carbide semiconductors will allow sensors to operate in environments where temperatures rise as high as 600°C, which is well in excess of that for silicon.

In another application, silicon carbide is ideal for high power devices. In particular, a number of the devices to be used in the next generation television transmitters may well be silicon carbide. Again their reliability and heat resilience means that they are ideal for these applications.

To allow silicon carbide to be used, the processing techniques have been improved. The main defects which have been encountered in the material are called micropipes. These are minute discontinuities in the crystal structure that result in very small pin holes appearing in the wafers. Now the crystal growth techniques required to produce the bulk semiconductor have been improved to a sufficient degree to enable them to be used more successfully and cut right down on the "pin hole" effect.

To prove the success of the improvements, one example of a silicon carbide device is a static induction transistor. This was demonstrated giving an output of 450W at 60MHz. Further developments of this material are likely to produce devices capable of giving higher powers at higher frequencies.

GOING ORGANIC

One of the ways in which major advances are made is to take a completely new look at the way processes are undertaken. In one new development it may be possible to print semiconductors onto either rigid or flexible substrates. To achieve this a new generation of plastic semiconductors is being developed. These are intended to be cheap, and able to be used in a very wide variety of low cost applications.

Another aspect of the technology which will bring a host of new applications is the fact that they are plastic or polymer based, and as such they can withstand bending, a feature which is totally new to semicon-

ductors before any circuits could be made. Now it is possible to make practical transistors which are capable of giving some gain, although their performance is such that they will not be able to compete with the performance of most silicon transistors.

Work has also been undertaken in using these transistors as part of larger integrated circuits. They have been used in simple inverters and NOR gates for logic circuits and in a ring oscillator.

EARLY TRIALS

These early circuits have been built up on a silicon substrate with a 0.5 micron oxide coating. Polysilicon gate contacts which are heavily doped with phosphorus are then deposited. This is followed by laying down a silicon nitride gate insulation layer and then depositing gold for the drain and source contacts. The final stages in the process involve depositing a 30nm film of the organic semiconductor to make the channels as shown in Fig. 1.

Although these prototype circuits have been manufactured using a silicon substrate for convenience, there is no reason why other substrates could not be used. This is just one of the areas in which progress is being made. Other development areas for the future are to improve and refine the printing techniques which can be used to deposit the organic semiconductor in the required areas. The aim is to enable very low cost circuits to be made by using techniques which do not require the high levels of technology required for normal semiconductors.

In terms of the performance of the circuits the main holding point at the moment is the fact that carrier mobility levels are still relatively low. However, it is anticipated that switching speeds of around 50kHz may soon be achievable with further increases and improvements attainable in the more distant future.

Plastic transistors represent a totally new and interesting departure from the more usual line of semiconductor developments. They are likely to find uses in a wide variety of areas, many of which have still to be conceived.

However, their low cost and variety of materials which can be used for substrates mean that they are likely to be seen in increasing numbers in the coming years. Development is still in its early stages, and this means that it will be a few years before they can gain wide acceptance, but despite this they represent a development which could have far reaching effects.

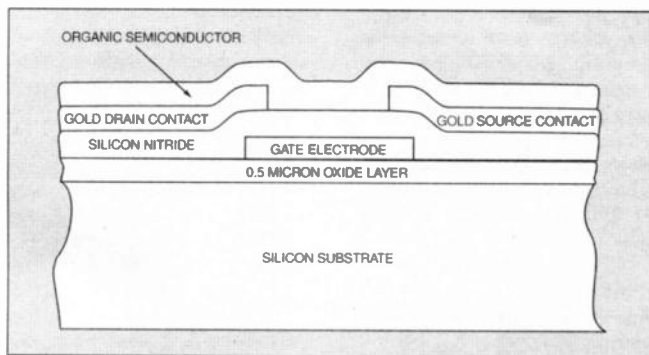


Fig. 1. A "plastic" field effect transistor.

ductors. Whilst this feature may not always be used in a direct fashion, it will add a considerable degree of reliability to any devices.

The technology is based around some organic semiconductors. The polymers exhibit semiconducting properties, but until recently the difficulty has been that current would only flow along the polymer chains, but not from one chain to the next. Recent developments have succeeded in overcoming this by the use of molecules which allow the transfer of current more easily, thereby improving the overall electron mobility.

The fact that organic materials can exhibit semiconducting properties has been recognised since the 1980s, but they have not been able to be used until recently. Early attempts at producing plastic or polymer transistors did not give any voltage gain – a prime requirement

EXHIBITIONISTS

We visit two London exhibitions and report on some interesting finds

TWO exhibitions in London recently demonstrated very different faces of electronics. The Boat Show at Earls Court provided a window on the high tech world of satellite navigation, communication and management systems used on modern leisure craft. Everything from battery charge indicators to fully integrated instruments and even a hand-held global satellite communicator – almost the stuff of *Star Trek*.



Magellan GSC100 anywhere to anywhere communication and navigation.

We have picked out just a handful of items – interesting for various reasons – from the hundreds of products available; we could have filled the whole magazine.

Starting with the very latest; from Magellan comes the GSC100 the world's first hand-held global satellite communicator. Using the ORBCOMM low-earth-orbit personal satellite system this unit allows you to communicate by E-mail from anywhere on earth. Almost as a sideline the GSC100 also provides an integrated GPS receiver to identify your position, chart your course or follow your progress on the track plotter etc. It's not particularly cheap at £995 but

for the man who has everything it's the ultimate.

If you can't wait to buy one contact Next Destination Ltd. (we like that!) Dept EPE, 25 The Clarendon Centre, Salisbury Business Park, Salisbury, Wilts SP1 2TJ. Tel. 01722 410800 Fax. 01722 410777.

Also employing those useful satellites is a whole raft of safety beacons or EPIRBs – Emergency Position Indicating Radio Beacon. Small enough to wear around the neck the PLB7 from Sea-Marshall Rescue Systems costs around £100 and could automatically (it goes off when immersed in sea water) save your life. The usefulness of EPIRBs has been amply demonstrated by the recent Southern Ocean rescues.

Sea-Marshall Rescue Systems, Dept EPE, Louis Pearlman Centre, Goulton Street, Hull HU3 4DL. Tel. 01482 586137 Fax. 01482 585161.



The PLB7 EPIRB.

For shore based sailors, or those who just want to keep an eye on the weather from home, the neat Weather Wizard III gives a readout of inside and outside temperature (including high and low, with alarms), 12 or 24 hour clock with date and alarm, wind direction, wind speed (including high wind speed with alarm) plus wind chill (with low chill and alarm). You can link into a PC or Mac to record the readings with an optional interface and also add a rain-



Weather Wizard III.

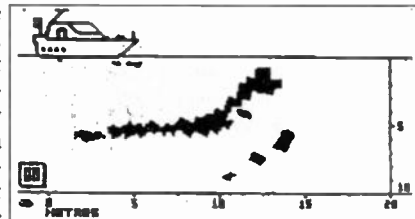


Weather Wizard sensors.

fall meter. Cost of the Weather Wizard III is about £200 but lower specification units are available from £150.

Made by Davis Instruments in the USA the units are available from ICS Electronics Ltd, Dept EPE, Unit V, Rudford Industrial Estate, Ford, Arundel, W. Sussex BN18 0BD. Tel. 01903 731101 Fax 01903 731105.

Echo sounders are pretty standard items on any craft over about 18 feet these days and one that can look up to 100 metres or more in front of the vessel has obvious advantages. The EchoPilot FLS (Forward Looking Echo Sounder) is microprocessor controlled and provides an l.c.d. display of the sea bed ahead, plus digital depth readout and shallow water alarm. It is even possible to add a log transducer to provide speed and log on the same instrument. FLS sends out a beam of ultrasound covering an area 15 degrees on either side

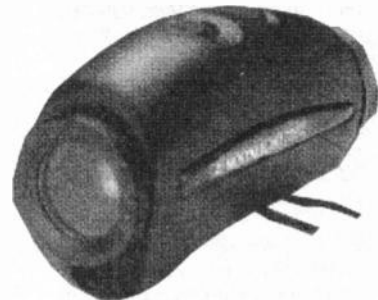


of the boat's course and scanning from sea level to straight down. Reflected signals are processed by the unit to provide a two dimensional display of the sea bed at three to five times the depth ahead when on a flat muddy bottom. This ratio increases up to eight or nine times if the seabed shoals upwards, and items such as rocks can be seen at 100 to 150 metres.

EchoPilot FLS display showing rocks ahead. Digital depth reading is in the bottom left corner.

Echopilot Ltd are at Dept EPE, 75/77 Christchurch Road, Ringwood, Hants BH24 1DH. Tel. 01425 476211/2 Fax. 01425 474300.

This years "must have" gadget is undoubtedly the palm size monocular type night viewer. Development of these "see in the dark" miracles from complex armed forces equipment to neat, easy to use viewers has been spectacular. There were plenty of different types on display for £250 to £350 but we spotted one in the latest Bull Electrical catalogue (see opposite), it's the Moonlight Mini Night Sight and costs £249.



Moonlight Night Sight.

GOOD BETT

The BETT '97 exhibition at Olympia – it overlapped with the Boat Show in early January – proved fascinating for those from outside of the world of education. BETT stands for British Education Training Technology. Those readers who left

school more than a few years ago, or who never received any education in what is now called technology, would be fascinated by the hundreds of products available to educationalists to help train students for virtually any engineering discipline. Again we have picked just a few items from the hundreds on display.

If you thought LEGO was just for fun and building toy houses, think again, the LEGO Dacta range, sold directly to schools and colleges, is an eye-opener with a complete Control Lab linked to PC, Mac or Acorn with mouse controlled



The Dacta Control Lab.

software and full project material. There is an Intelligent House for the 9 to 13 age group where a computer can be used to control a satellite dish, room fan, security lights or garage door. The house has a fire alarm and intruder detector.

Dacta Pneumatics packs introduce air power and can be used to simulate real-world industrial equipment under computer control. The introductory pack costs about £20 and the range goes up to the Air Power Total Simulation Class Pack at nearly £800.

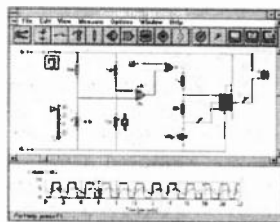
The Dacta range covers a whole lot more besides – contact LEGO Dacta (UK), Dept EPE, Ruthin Road, Wrexham LL13 7TQ. Tel 01978 296293. E-mail LEGODACTUK@AOL.COM.

Talking Technologies can supply the answer to the one finger typists dream – VoicePad Pro turns a PC with Soundblaster 16 into a voice operated system. Once the

microphone is plugged in and the CD software is installed your 486/75 can recognise speech. It looks just like the word processor with Windows 95 but you can forget the keyboard or the mouse, everything is voice operated, all you do is talk – or so the sales pitch goes. At only £79 plus VAT it's got to be worth a try. You can also have Kurzweil VOICE for £299 plus VAT. VOICE prioritises 30,000 words you want to use from its list of 200,000 and listens to the way you say them to recognize them easier as you use it – I wonder if the EPE editorial staff know 30,000 words?

Talking Technologies Ltd are at Dept EPE, 34A Glazbury Road, London W14 9AS. Tel 0171 602 4107 Fax. 0171 603 2109. E-mail talk@easynet.co.uk. Web site www.talk-systems.com.

Finally some more software that caught our eye – there was plenty of it at BETT '97. Crocodile clips looks like a simple package to teach electronics, you can draw on screen circuits and test them. The sales blurb says "Drag and drop components from any of the 11 toolbars. Connect them up with the Reel-of-Wire. See your circuits spring into life as you draw them!"



Crocodile Clips screen display.

The Windows version is available in English, French and German (it is also available for Mac) and, from the basic information we have, it looks capable of fairly complex circuit simulation, up to a few basic ICs at least.

Free demonstration software can be downloaded from www.crocodile-clips.com/education/ or contact Crocodile Clips, Dept EPE, 11 Randolph Place, Edinburgh EH3 7TA, Scotland. Tel. 0131 226 1511 Fax. 0131 226 1522. E-mail sales@crocodile-clips.com.

DUAL THERMOSTAT

NO DOUBT many of you will be familiar with the much-loved LM35 series of temperature sensor i.c.s. They have come to be the standard heart of many temperature orientated projects.

Warmly received, then, could be the newest member of National Semiconductor's growing family of integrated temperature sensors, the LM56.

This device is a low-power dual thermostat with digital outputs. The LM56 combines an integrated temperature sensor, two comparators and a voltage reference in the same i.c. With the addition of three external resistors, you can set up a thermostat-type function that is fully programmable over the operating temperature range (-40°C to +125°C). An additional analogue temperature output offers 6.25mA/°C with excellent voltage linearity.

Capable of operating from a 2-7V power supply, the LM56CIM requires 230mA (max) quiescent current. A slight drawback for home constructors is that it appears to be available only in the SO package, which is the surface mount style.

For data sheets and user information, please call National Semiconductor European Customer Support Centre on 00 49 180 5327 832, or visit their World Web Site at <http://www.national.com>.

Cat and Bull Story

BULL Electricals' catalogue may look slender, but it's packed with fascinating products, such as bugs and kits, nightlights and nightlights, magnets and microscopes, telescopes and torches, magic balloons, hot-air balloons, satellite navigation and much



more as well – there's even a Moonshine Bible for sale – how to distill alcohol from vegetables etc!

Established for more than 50 years, Bull obviously know what's what when finding things that will interest all sorts of tastes, as this 32-page booklet proves. Get a copy, don't just take our word for it!

Ring or write Bull Electrical, 250 Portland Road, Hove, Sussex, BN3 5QT. Tel: 01273 203500. Or you can "net" them via

<http://www.pavilion.co.uk/bull-electrical>.

Patent It!

THERE'S a new book that will be of great interest to all you budding and practising inventors – Laurence Shaw's *Practical Guide to Patents, Trademarks, Copyright and Designs*, ISBN 0 9508556 2 8.

This matter-of-fact revised third edition of Shaw's easy-to-read work guides the uninitiated through the legal minefield of patent and copyright law. In simple language, it explains how to go about exploiting a new idea and how to put the necessary steps in place to get it protected. Browsing through, it appears to be written in a most readable style and seems highly informative.

Recommended by the Patent Office, the book is a loose-leaf reference work, with 224 pages and 28 tables. Supplements to update the information are to be published twice a year. It is available by mail order only from Bilgrey Samson Ltd., 5th Floor, Metropolitan House, 1 Hagley Road, Edgbaston, Birmingham B16 8TG and is priced at £19.95 plus £2.00 p&cp per copy, which will include the two 1996 supplements.

DIGITAL TV REGS

COINCIDENT to our look at Digital TV, both in this issue and in next month's, the DTI have announced new safeguards to prevent anti-competitive behaviour in the digital TV market. The regulations came into force on 7th January 1997.

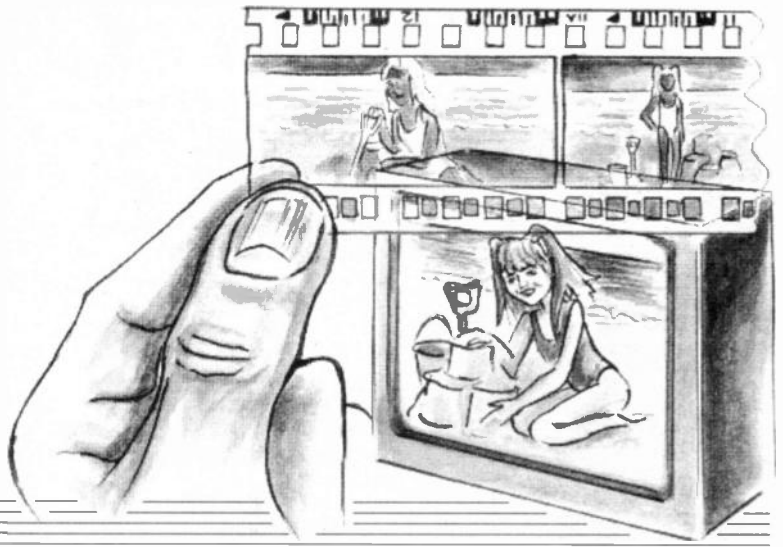
Says Science and Technology Minister Ian Taylor, "The new provision requires information and co-operation to be provided to broadcasters before services are offered by any entrant to the digital conditional access market, so that those broadcasters can take up this service as soon as it is available".

National Heritage Secretary Virginia Bottomley went on to comment: "The way is now clear for broadcasters to put together imaginative and diverse proposals for digital service to the benefit of viewers".

But is the "gatekeeper" problem yet resolved? (See Barry Fox's *Digital TV*, elsewhere in these pages.) Perhaps the answer will be revealed when copies of the Regulations are made available from HMSO, which will be "in due course".

VIDEO NEGATIVE VIEWER

ROBERT PENFOLD



View those negatives in a new light with this video inverter. Create your own simple "Sci-Fi" special effects.

VIRTUALLY all modern camcorders seem to have a macro facility which enables them to focus down to just a few millimetres in front of the lens. Indeed, with some models it is actually possible to focus on any dust on the front of the lens!

This close focusing ability makes it possible to view slides via a camcorder, a television set, and a simple adaptor that fits onto the front of the camcorder. It is also possible to record "stills" using a VCR, editing them into your home videos if desired.

The adaptor is basically just a diffusor and a holder to carry the slide, although a few include some optics. Any reasonably bright light source can be used to illuminate the slide, with the diffusor helping to eliminate any light or dark patches caused by unevenness in the light source.

Most of these adaptors can also take 35 millimetre film strips, including negatives. The vast majority of amateur photographs are now taken on negative film, and it would obviously be very useful if negatives could be viewed on a television screen via a camcorder.

POSITIVE EFFECTS

However, there is an obvious problem in that the image on the screen would be a negative one, with light areas produced as dark areas, and vice versa. Also, the colours would be the complements of the correct ones (red instead of green, etc.).

The purpose of this unit is to provide an inversion of the video signal, so that negatives can be viewed as positive images having the correct colours. Apart from its intended use of viewing negatives, it could probably be used as a simple special effects unit by those who are into do-it-yourself sci-fi videos.

The Video Negative Viewer is intended for connection between the standard composite PAL output

of the camcorder, and the composite video input of a television set or monitor. It will also work properly with the u.h.f. input of a television set via a suitable modulator unit (as supplied with most camcorders).

The unit *cannot* be used directly with a u.h.f. television signal, and it will not work with any form of RGB video signal, or a type which has a separate synchronisation signal.

SYSTEM OPERATION

After experimenting with various systems, the one outlined in the block diagram of Fig. 1 proved to be the simplest that worked well. The waveform diagram of Fig. 2 helps to explain the way in which the unit functions.

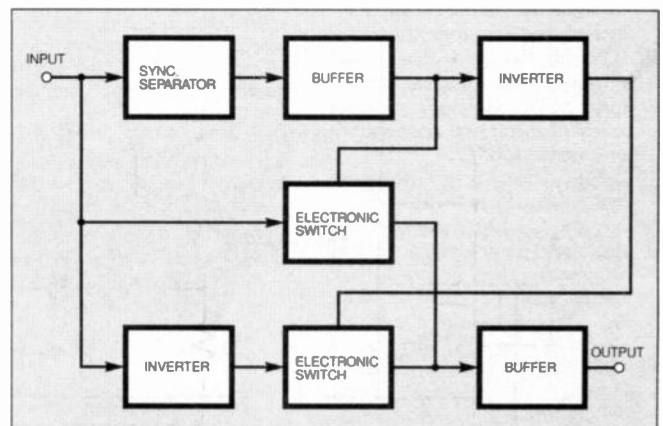


Fig. 1. Block diagram for the Video Negative Viewer.

The top waveform (a) represents two and a bit lines of a video frame. Each line consists of a negative synchronisation pulse first, followed by the high frequency colour burst signal. Then comes the picture signal, which is a positive type with the UK PAL system. In other words, the more positive the voltage, the brighter the corresponding part of the line is made.

Simply inverting the whole signal will not give the desired effect, because the synchronisation signals will also be inverted. The television set or monitor would not be able to lock onto the inverted pulses, and there would be severe break-up of the picture. Satisfactory results are



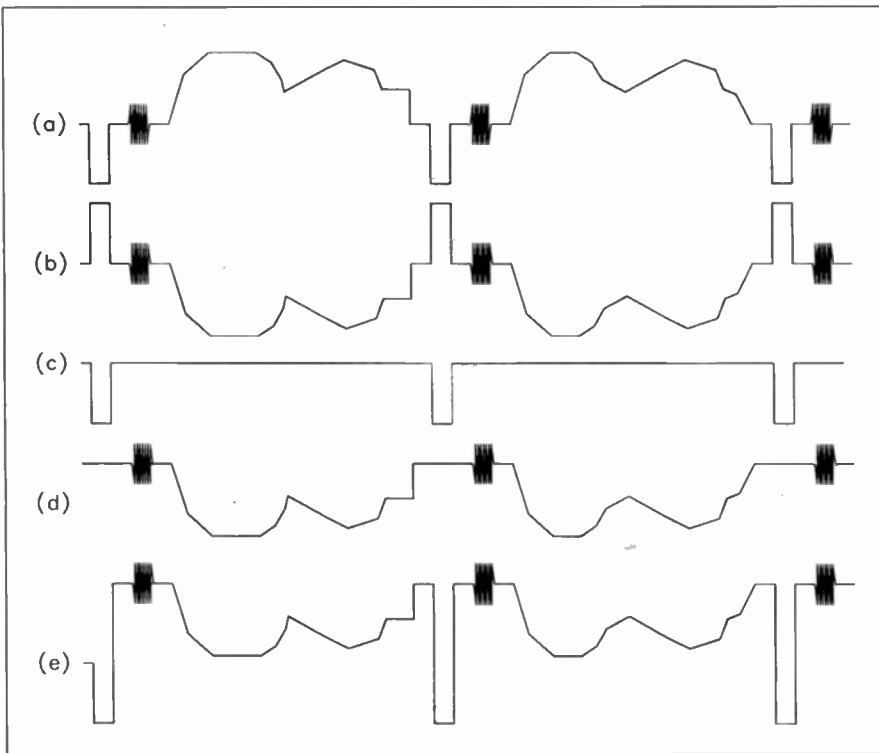


Fig. 2. Typical waveforms at various points in the circuit.

obtained if the synchronisation pulses are left intact, but the rest of the signal, including the burst signal, is inverted.

There are two electronic switches at the heart of the unit. One of these is fed with the unprocessed input signal, and the other is fed with an inverted version of the input signal, see Fig. 2b. This gives the waveform of Fig. 2c from the upper switch, and the waveform of Fig. 2d from the lower switch.

The output signals from the electronic switches are simply mixed together and fed to the output via a buffer amplifier. The latter ensures that the unit has a suitably low output impedance. This gives the output waveform of Fig. 2e, with negative synchronisation pulses and an inverted picture signal.

In order to obtain the required output signal it is necessary to have the upper switch activated during the synchronisa-

tion pulses, so that non-inverted pulses are fed through to the output. For the rest of the time the lower switch must be turned on, so that an inverted version of the picture modulation is fed through to the output.

The control signal for the electronic switches is generated using a synchronisation separator. This is basically just a high gain clipping amplifier which removes the picture and colour burst signals, and gives strong output pulses during the synchronisation pulse periods.

A buffer amplifier at the output of the separator stage ensures that the pulses switch cleanly at levels which are suitable to drive the upper switch. The lower switch is driven via an inverter which gives the required anti-phase operation of the switches.

CIRCUIT DESCRIPTION

The full circuit diagram for the Video Negative Viewer is shown in Fig. 3. The synchronisation separator uses transistors TR1 and TR2 as two common emitter amplifiers. The biasing of TR1, and the lack of it for TR2, gives the required clipping action, with the positive picture and colour burst signals being stripped off.

Only two gates, IC1a and IC1b, of a 4001 CMOS quad 2-input NOR gate are used in this circuit. The two gates have their inputs (pins 1/2 and pins 5/6) wired together so that they act as simple inverters. The two unused gates have their inputs connected to the positive supply rail so that spurious operations are avoided.

Signals from the synchronisation separator are processed by IC1a to give pulses that provide "clean" switching from IC2a, which is one section of a

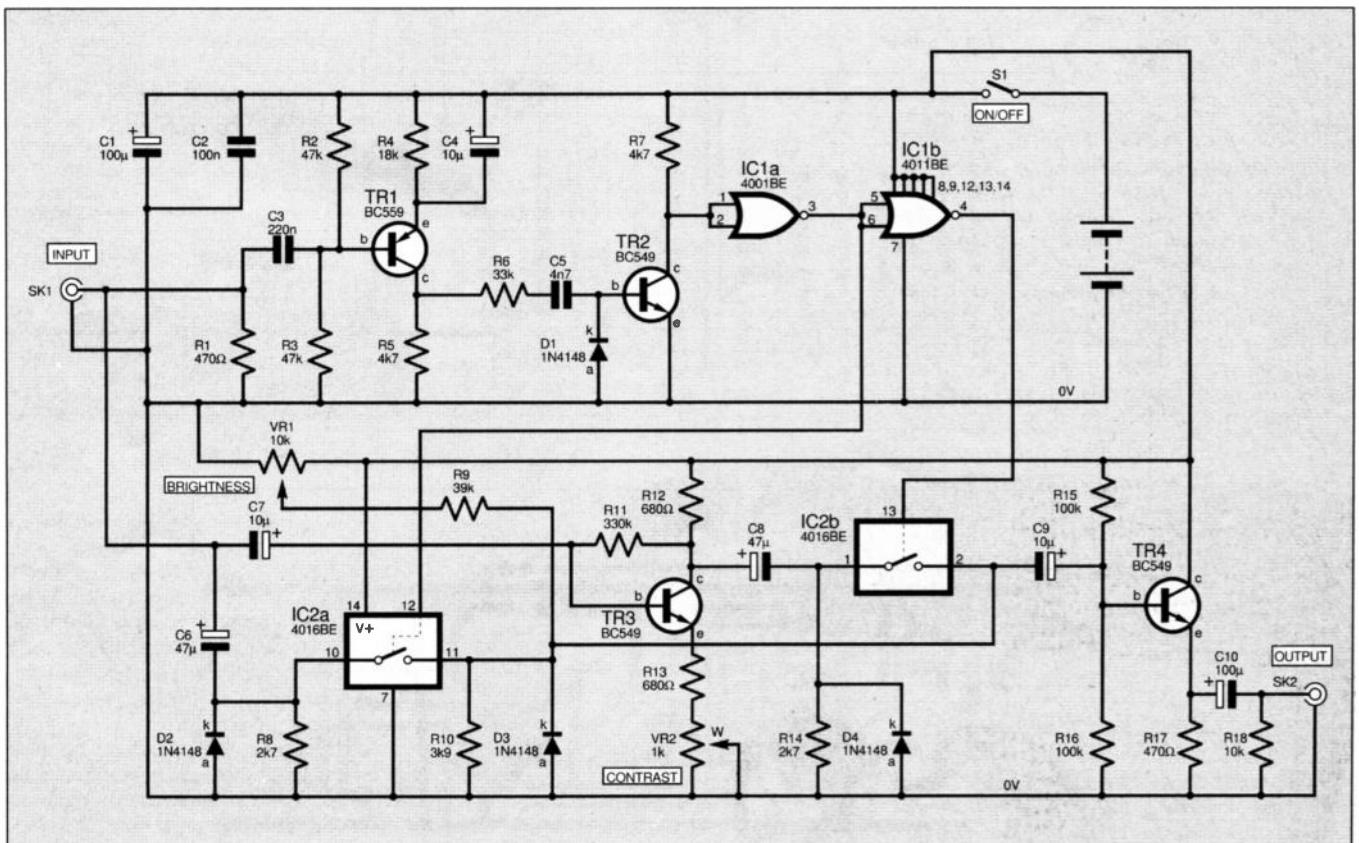


Fig. 3. Circuit diagram for the Video Negative Viewer.

CMOS quad analogue switch. IC1a also provides an inversion which gives the required positive pulses to IC2a.

The anti-phase signal is provided by IC1b for the second electronic switch, which is IC2b. The other two switches in IC2 are not used in this circuit, and no connections are made to them.

Transistor TR3 operates as a common emitter amplifier, and normally a stage of this type provides a high level of voltage gain together with a phase inversion. In this instance it is only the phase inversion through the amplifier that is needed, as it is this stage that inverts the picture modulation.

No voltage gain at all is required. Resistor R13 and potentiometer VR2 are therefore used to provide a large amount of negative feedback which reduces the gain of TR3 to a suitable level. VR2 provides some control over the gain of TR3, and acts as a simple Contrast control.

There is no need for a mixer stage to combine the outputs of the electronic switches, IC2a and IC2b, as they effectively provide their own mixing action. The two outputs, pin 11 and pin 2, are simply wired together.

Diode D2 and resistor R8 form a simple d.c. restoration circuit at the input of IC2a, and similar components are used at the input of IC2b and the outputs of the electronic switches. Their purpose is to prevent unwanted d.c. shifts occurring, which would affect the picture brightness.

Control potentiometer VR1 can be used to deliberately introduce a positive offset to the picture signal, and therefore acts as a Brightness control.

Transistor TR4 is used as an emitter follower, and it acts as the output buffer stage. Electrolytic capacitor C10 provides d.c. blocking at the output.

The current consumption of the circuit is approximately 15 milliamps, and this is provided by eight HP7 size cells in a plastic holder.

CONSTRUCTION

Most of the components for the Video Negative Viewer are mounted on a small printed circuit board (p.c.b.). The topside component overlay for the p.c.b. and the actual size copper pattern are shown in Fig. 4. This board is available from the *EPE PCB Service*, code 135.

Both the integrated circuits are CMOS types, and as such they are vulnerable to damage from high static voltages. Accordingly, both devices should be fitted in holders, but they should not be plugged into place until the unit is otherwise complete. Until then, leave both components in their anti-static packing, and handle them as little as possible when they are being fitted into their holders.

In theory there is some advantage in using a 4066BE for IC2, as this is a faster version of the 4016BE. The 4066BE also has a lower "on" resistance. In practice results seem to be much the same

whichever of these two devices is used, so it is a matter of using whichever you can obtain the cheapest.

The order in which the other components are fitted is not too important, but it is advisable to fit the resistors and capacitors first, and then the semiconductors. Make sure that the diodes and electrolytic capacitors are fitted the right way round. Fit single-sided solder pins at the points where connections to the controls and sockets will be made.

CASE AND ASSEMBLY

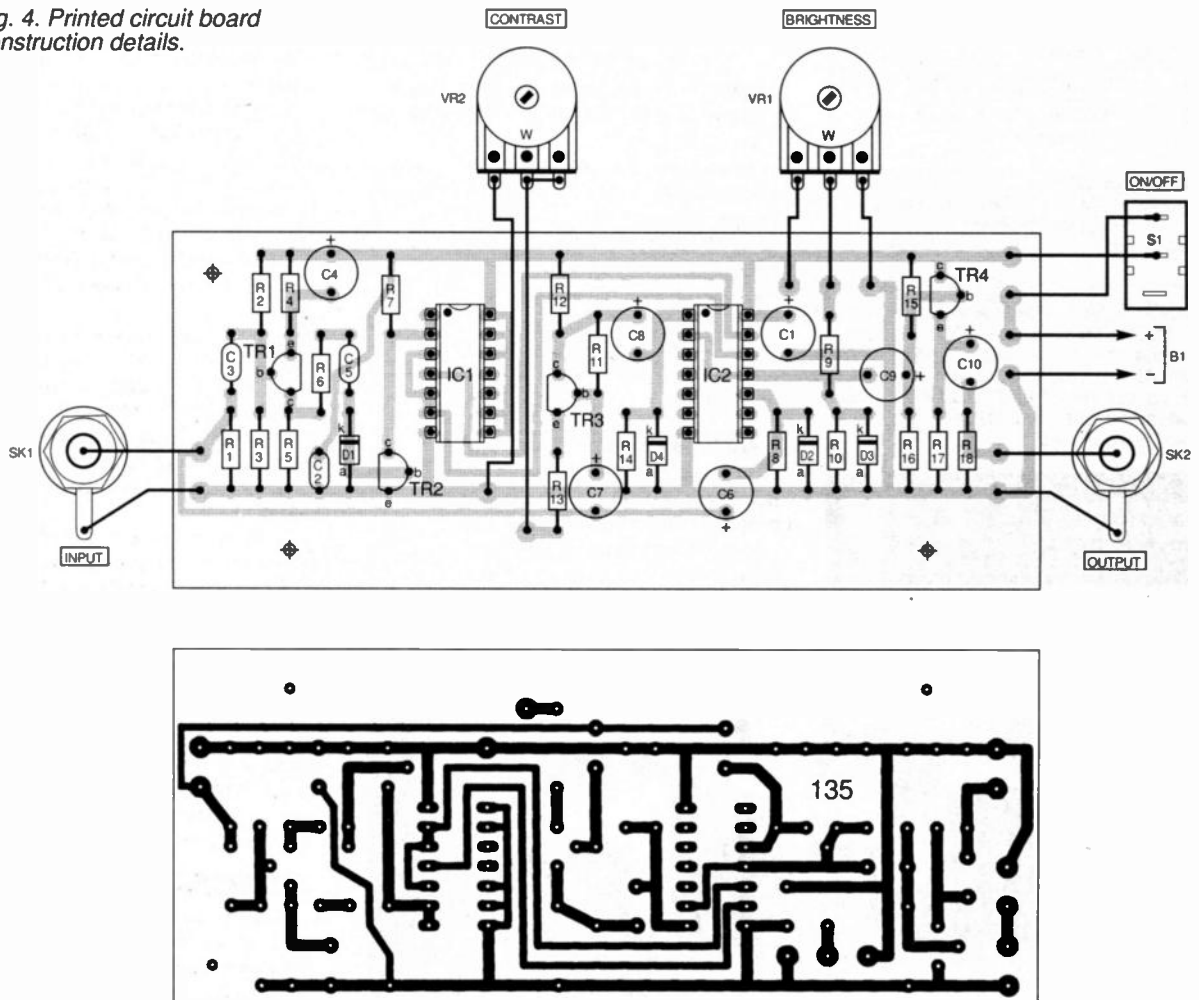
Practically any medium size plastic or metal box should accommodate this project. However, the battery pack is quite large, and this precludes the use of the more "low-profile" cases.

Sockets SK1 and SK2 are fitted on the front panel of the prototype, but they can obviously be fitted on the rear panel if you would rather keep the input and output leads tucked away out of sight at the back of the unit. Both sockets are of the phono variety, which is the standard type of connector for amateur video gear.

The printed circuit board is mounted using 6BA screws or plastic stand-offs. If you use screws, include spacers about six to 12 millimetres long to keep the underside of the board well clear of the base panel.

The hard wiring is quite straightforward, and is also illustrated in Fig. 4. Ordinary

Fig. 4. Printed circuit board construction details.



multistrand connecting wire or bits of the appropriate type of ribbon cable are used for this wiring. It is not necessary to use any screened leads, but try to keep all the wiring reasonably short.

COMPONENTS

Resistors

R1, R17	470Ω (2 off)
R2, R3	47k (2 off)
R4	18k
R5, R7	4k7 (2 off)
R6	33k
R8, R14	2k7 (2 off)
R9	39k
R10	3k9
R11	330k
R12, R13	680Ω (2 off)
R15, R16	100k (2 off)
R18	10k

All 0.25W 5% carbon film

Potentiometers

VR1	10k rotary carbon, lin.
VR2	1k rotary carbon, lin.

Capacitors

C1, C10	100μ radial elect. 16V (2 off)
C2	100n disc ceramic
C3	220n polyester layer
C4, C7, C9	10μ radial elect. 25V (3 off)
C5	4n7 metallised polyester
C6, C8	47μ radial elect. 16V (2 off)

Semiconductors

D1, D2	
D3, D4	1N4148 signal diode (4 off)
TR1	BC559 <i>npn</i> silicon transistor
TR2, TR3	
TR4	BC549 <i>npn</i> silicon transistor (3 off)
IC1	4001BE CMOS quad 2-input NOR gate
IC2	4016BE CMOS quad analogue switch

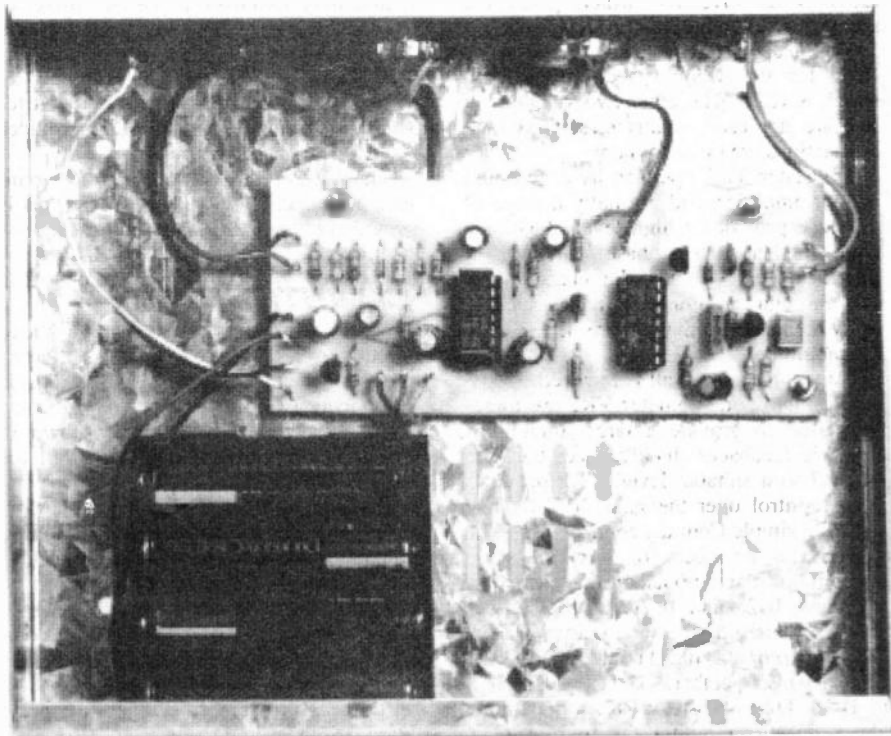
Miscellaneous

B1	12V (8 x HP7 size cells in plastic holder)
S1	s.p.s.t. min. toggle switch
SK1, SK2	phono socket (2 off)

Printed circuit board available from *EPE PCB Service*, code 135; medium size metal or plastic case; 14-pin d.i.l. socket (2 off); battery connector (PP3 type); control knob (2 off); 6BA fixings or plastic stand-offs; multistrand connecting wire; solder, etc.

Approx Cost
Guidance Only **£16**
excluding case & batts.

See
SHOP
TALK
Page



IN USE

Connect the video output of the camcorder to the video input of the Video Negative Viewer using an ordinary screened video lead. A lead of the same type is used to connect the output of the Viewer to the video input of the television set, monitor, or u.h.f. modulator. Obviously the audio output of the camcorder serves no useful purpose in this case, and it should be left unconnected.

Switch on the camcorder and set it to effectively operate as a closed-circuit television camera. The effect of the unit should be very obvious, with both a light/dark inversion, and a colour inversion apparent on the reproduced picture. Apart from this, results should be much as normal, with a sharp and stable picture being displayed on the television or monitor.

NEGATIVE VIEWING

In order to view negatives properly it is necessary to fit the camcorder with the appropriate attachment. These usually screw into the filter thread around the front of the lens. It may be necessary to use a stepping

ring in order to fit an adaptor onto your recorder, as there are several standard sizes for this thread.

Check the instruction book for your camcorder to determine the size of its filter thread. The size of the filter thread is sometimes marked around the front of the lens, but this seems to be rare with video equipment.

It is possible to improvise a home-made negative holder and diffusor, and it is potentially a lot cheaper than using ready-made adaptors. However, great care must be exercised if you adopt the do-it-yourself approach. It would be very easy to come up with something that gives good results, but which also damages all your precious negatives!

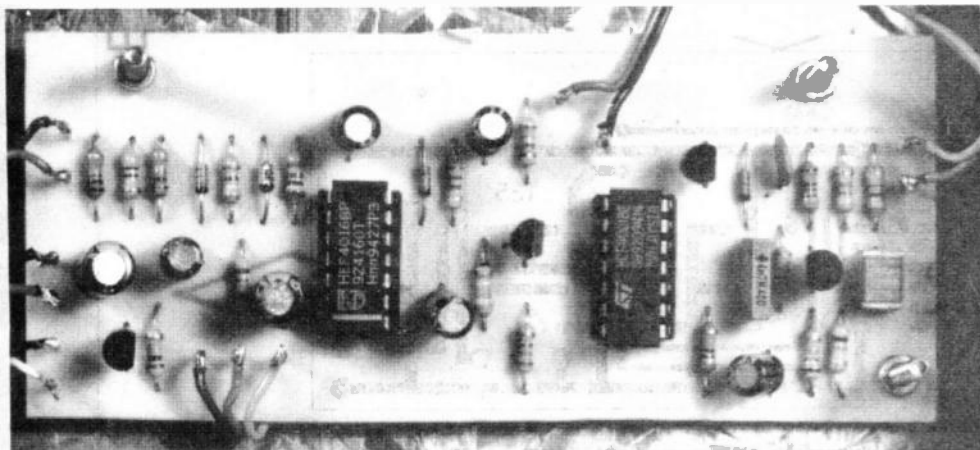
Even when using a ready-made adaptor it is essential to handle the negatives with great care, as the emulsion is easily scratched. Most of the ready-made adaptors are only intended for use with mounted slides, but provided due care is taken they seem to be usable with strips of negative.

In most cases the camcorder will have to be set to its macro mode in order to get it to focus close enough, but this depends on the type of adaptor used. With most camcorders the focusing must be carried out manually.

If you are going to use a simple adaptor that has no built-in optics it is clearly essential to check that you can focus close enough to give a reasonably large image, and to only proceed with the construction of this project if your camcorder will give worthwhile results.

STRONG COLOURS

Results seem to vary substantially from one set of negatives to another. Some negatives give quite good colours with reasonably strong colour saturation, but with most negatives there seems to be a problem with rather weak colours.

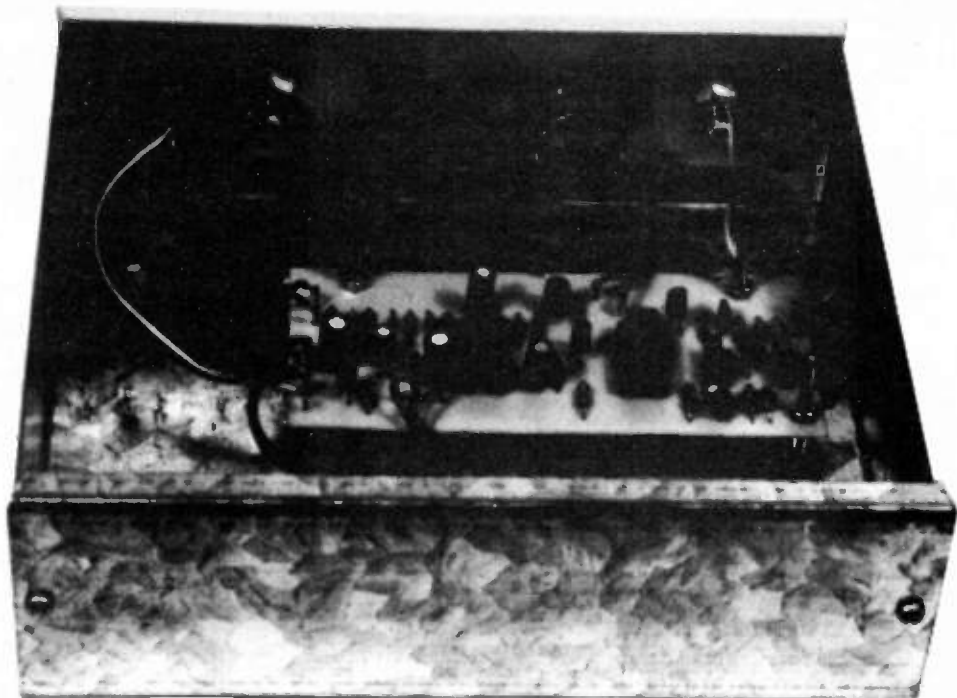


Adjustment of the Contrast and Brightness controls can help, and it seems to be best if really strong light sources are avoided. With the majority of films though, it is necessary to set either the camcorder or the television/monitor for stronger colours. Of course, the system can be used to display black and white negatives if desired, and it gives excellent results when used in this way.

When making recordings of slides or negatives it is better if the camcorder is used as a camera to make the recording via the VCR, rather than making a recording using the camcorder, and then copying it to the VCR. Most camcorders can be used in this way when switched on but not set to record. Recording direct to the VCR avoids an extra copying stage, and the loss of quality that this would inevitably involve.

Bear in mind that this system can only give good results if it is used with negatives that have reasonably accurate exposures. With most modern print films it is possible to obtain satisfactory prints from negatives that are under or over exposed by up to about two stops or so.

This system will also give reasonable results with negatives that are within this exposure range. Very "thin" or dark negatives simply lack the information needed to give good results, and will not give satisfactory pictures with this, or any other system.



A simple adaptor and stepping rings can be obtained from SRB Film Services, 286 Leagrave Road, Luton, Beds., LU3 1RB (Tel. 0582 572471, Fax 0582 572535). More advanced copying devices and adaptor rings can be obtained from

the chain of Jessop stores, or by mail order from The Jessop Group Ltd., Jessop House, 98 Scudamore Road, Leicester, LE3 1TZ (Tel. 0116 232 0432, Fax 0116 232 0060).

GREENWELD
ELECTRONIC
COMPONENTS

Greenweld has been established for 23 years specialising in buying surplus job lots of Electronic Components and Finished Goods

We also keep a wide range of new stock regular lines. Why not request our 1997 Catalogue and latest Supplement - both absolutely FREE!

BECOME A BARGAIN LIST SUBSCRIBER TO SEE WHAT'S ON OFFER BEFORE IT'S ADVERTISED GENERALLY

Standard Bargain List Subscription

For just £6.00 a year UK/BFPO (£10.00 overseas), we'll send you **The Greenweld Guardian** every month. With this newsletter comes our latest **Bargain List** giving details of new surplus products available and details of new lines being stocked. Each issue is supplied with a personalised **Order Form** and details of exclusive offers available to Subscribers only.

Gold Bargain List Subscription

For just £12.00 a year (£20.00 overseas) the **GOLD** Subscriber category offers the following advantages:

- The Greenweld Guardian** and latest **Bargain List** every month, together with any brochures or fliers from our suppliers
- A REDUCED POSTAGE RATE** of £1.50 (normally £3.00) for all orders (UK only) and a reply paid envelope
- 5% DISCOUNT** on all regular Catalogue and Bargain List items

So Don't Miss Out - Subscribe Today!



1997 CATALOGUE OUT NOW!

**Greenweld · 27D Park Road
Southampton · SO15 3UQ
TELEPHONE: 01703 236363
FAX: 01703 236307
INTERNET: <http://www.herald.co.uk/clients/G/Greenweld/greenweld.html>**

Our stores (over 10,000 sq. ft.) have enormous stocks. We are open 8.00 am - 5.30 pm Monday to Saturday. Come and see us!

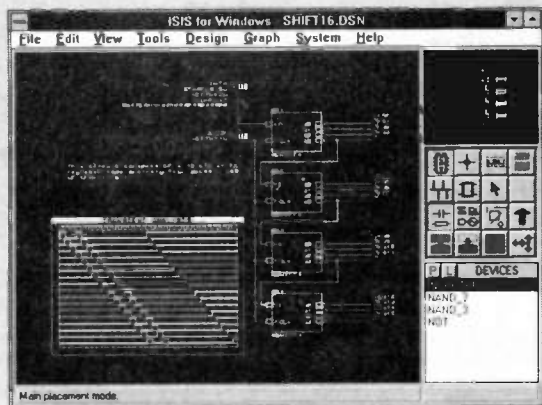


PROTEUS

For DOS and Windows 3.1, 95 & NT

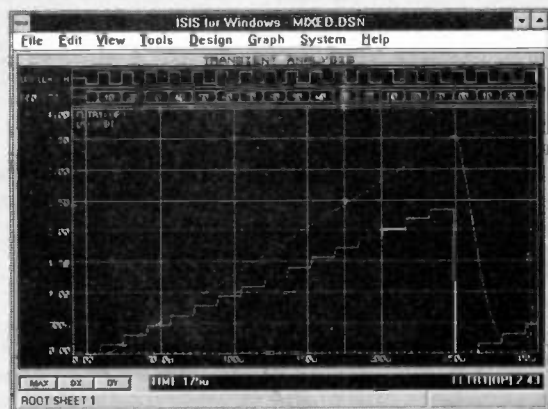
NEW LOW PRICE OPTIONS AVAILABLE
Level 1 (500 pins) from £250
Level 2 (1000 pins) from £495
Level 3 (unlimited) from £995

The Complete Electronics Design System - Now With RIP-UP & RETRY!



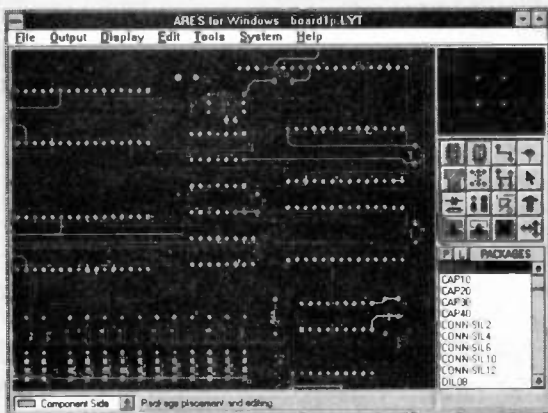
Schematic Capture

- Easy to Use Graphical Interface under both DOS and Windows.
- Netlist, Parts List & ERC reports.
- Hierarchical Design.
- Extensive component/model libraries.
- Advanced Property Management.
- Seamless integration with simulation and PCB design.



Simulation

- Non-Linear & Linear Analogue Simulation.
- Event driven Digital Simulation with modelling language.
- Partitioned simulation of large designs with multiple analogue & digital sections.
- Graphs displayed directly on the schematic.



PCB Design

- 32 bit high resolution database.
- Multi-Layer and SMT support.
- Full DRC and Connectivity Checking.
- RIP-UP & RETRY Autorouter.
- Shape based gridless power planes.
- Output to printers, plotters, Postscript, Gerber, DXF and clipboard.
- Gerber and DXF Import capability.

labcenter
Electronics

Call now for your free demo disk
or ask about the full evaluation kit.
Tel: 01756 753440. Fax: 01756 752857.
53-55 Main St, Grassington. BD23 5AA.

Fully interactive demo versions available for download from our WWW site.
Call for educational, multi-user and dealer pricing - new dealers always wanted.
Prices exclude VAT and delivery. All manufacturer's trademarks acknowledged.

EMAIL: info@labcenter.co.uk
WWW: <http://www.labcenter.co.uk>

BUILD YOUR OWN PROJECTS

Alan Winstanley

Part 5



IN THIS short series of articles we have been discussing modern methods for constructing your electronic projects. We have also suggested the tools and equipment needed and how to use them, described how to fabricate your own printed circuit boards, how to solder, and talked about various ways of preparing various

types of instrument cases in the workshop.

Now, in this final part of the series, we check out methods of interconnecting your circuits, wire types and ratings, hardware and other aspects of completing the assembly of your project – in other words, finally putting it all together!

TO KICK-OFF our concluding part, let's look at the fixing of panel or chassis-mounted parts first. *Light-emitting diodes* (l.e.d.s) can be fitted into place using a moulded clip, though I prefer to use "lens clips" for a more attractive finish. If you want to do something a little different, you can, incidentally, file l.e.d.s to shape easily.

Perhaps experiment by filing a standard-size l.e.d. to form a wedge or a "flat" on the end, rather than the usual dome-shape. Simply ensure you don't damage the l.e.d. chip itself, embedded within the resin, and use metal polish to produce a smooth finish on the plastic, if desired.

An unusual finish can be achieved by using *flat-top* light-emitting diodes (e.g. 3mm diameter types), and inserting them through a precise 3mm hole in the panel for a tight push-fit (an "interference fit") – this produces an invisible fixing which is appealing to look at. A dab of hot-melt glue behind the l.e.d., will secure it in place if needed.

Toggle switches and *potentiometers* should readily fit into place, especially if you used a Q-Max chassis cutter where appropriate (see last month). For years I have used nothing more sophisticated than a bicycle dumb-bell spanner (or "box spanner"), for dealing with most panel

mounting parts! The spanners have ten different socket sizes and are very convenient for this work, given that not a tremendous amount of leverage is needed in this application.

KEEPING UP APPEARANCES

It would be a pity to scratch a newly-prepared panel accidentally, especially if it's a handsome anodised type which has been freshly lettered and lacquered, so due care should be taken to avoid this. Small toggle switches usually have a spare lock nut and washer which should be twirled up the shaft of the switch to a suitable point, to act as a "back stop" before tightening the front nut using a spanner. Personally, I throw away the anti-rotation washer which may be supplied with some switches, and with certain types (e.g. single-pole on-off toggles) you may need to remember not to install the switch upside down!

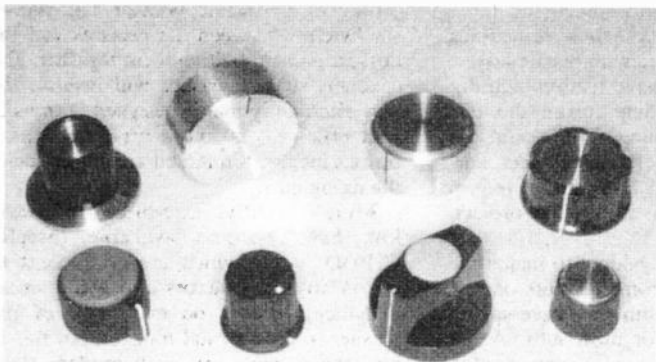
Rotary controls will require an instrument knob: catalogues have a selection of attractive plastic and aluminium types, and it's worth gradually building up a small stock of common sizes. The cheapest types simply push onto the shaft, in which case you may have to align the switch body properly to enable the knob to "point" at any markings on the panel.

Other alternative styles have a grub screw fixing for a more secure fixing. More expensive still, "collet" instrument knobs are often seen on professional equipment; they push over the shaft and are then tightened using a spanner (or large screwdriver, for some types) located into the end of the knob. This forces the brass collet within the knob to close up – like the jaws of a vice – around the shaft.

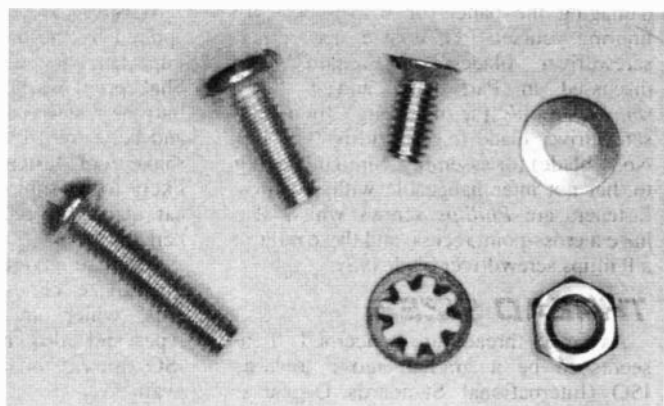
COLOUR-CODED

A coloured plastic cap is fitted over the end, which is extremely useful for complex equipment (e.g. mixer desks), since they allow the controls to be colour-coded in a logical manner. Other accessories are available for collet knobs, including skirts which fit around the base, pointers and numbered dials. Thus they offer a "hidden" fixing along with very secure and precise control.

Many instrument knobs have a recessed base to cover the ugly mounting nut of the component itself. The shafts of potentiometers (and rotary switches) will usually need to be hacksawed to length beforehand. Quite how *short* you cut the shaft will depend on the design of instrument knob you've decided to use. Consider cutting the shaft gradually until a desired fit is achieved, and take your time! Finally, ensure that the pointer



Assortment of control knobs enhance the final appearance and function of your project.



Typical fasteners – roundhead, panhead and countersunk machine screws, shakeproof and plain washers, full nut.

aligns properly with any panel marking, if relevant, prior to fitting the knob onto the switch or potentiometer shaft.

FASTENERS

Assembly of your project could continue by fitting any other peripheral parts – sockets, terminals etc. into their allotted places. Certain items, perhaps mains transformers, may be bulky and will need to be bolted down securely into place (but they may need an earth connection, see later).

A variety of fasteners – nuts, screws, washers, spacers, etc. – is available and most catalogues carry a representative range. It's worth building up a stock of fastener hardware, one good way being to just order one or two different sizes or types of fastener every time you write out an order for parts. You can gradually build a comprehensive range this way, and they can be stored in convenient selector boxes (e.g. Raaco Assorter Boxes, available from several DIY super stores).

It may be the case that you're not fussy about using precisely the right fastener, since you may have plenty of nuts and screws in the junk box, but here's the low-down on handy hardware for those just arriving:

Bolts have a hexagonal head which requires a spanner, and are seldom used in routine electronics assembly work. **Screws** (or more correctly, "machine screws") are used almost universally, and are categorised by their **head**, **thread** and **length**.

HEAD FIRST

The **head** will be one of several shapes: **countersink**, which lies flush with the panel; **round-head**, having a dome-shaped head; **cheese-head**, ugly-looking things which resemble a large round "cheese"; **pan-head**, which seems to be the type favoured for general work. One may also see **raised countersunk** heads – countersunk screws with a slightly raised surface – which I sometimes use for a neat finish.

You may read of "BZP" (bright zinc plate) finish, a sort of blue-silver industrial coating which prevents the fasteners from corroding, or alternatively a nickel-plated finish, which is a bright and chrome-shiny finish which looks attractive on panels. It depends how fussy you are!

You have a further choice of **slotted** screw heads which accept a traditional flat screwdriver blade, or much better, **Pozidriv™** screws which greatly reduce the risk of the blade slipping out and damaging the panel (or worse, possibly injuring yourself). Of course, appropriate screwdriver blades are required, as discussed in Part One, and Pozidriv screws require the matching "number" screwdriver blade (e.g. Pozidriv No. 0 or No. 1 blade) for assembly. Similar-looking to, but not interchangeable with, Pozidriv fasteners are **Phillips** screws which also have a cross-point recess, and these require a Phillips screwdriver blade *only*.

THREAD SIZES

As far as threads are concerned, there seems to be a gradual move towards ISO (International Standards Organisation) thread types, and ISO Metric sizes are increasingly used rather than traditional Imperial types of fastener. You'll

see metric threads expressed in terms of M3 or M4, for instance, to indicate that they are metric screws of 3mm and 4mm thread *diameter*, respectively. Generally speaking, M3 or possibly M4 sizes are used for most regular assembly work, perhaps M2.5 for small-scale work, and M6 (6mm dia.) for larger, heavier items including, perhaps, mains transformers and similar parts.

As an alternative to metric dimensions, the older BA (British Association) sizes are still very common: I appear to own a lifetime's stock of them! BA fasteners merely have a BA number, such as 2BA, 4BA or 8BA to identify their size – the larger the BA number, the *smaller* the bolt's diameter. Sizes 4BA and 6BA are those used for most constructional tasks, with 2BA for larger parts, and very occasionally, 8BA as the smallest size.

You may also occasionally see BSW (British Standard Whitworth) or UNC/UNF (Unified National Coarse/Fine thread) standards mentioned from time to time: you'll see that power semiconductor devices such as stud-mounted diodes or triacs will have either a UNF or metric thread, if you check the data closely.

The final aspect of a screw size is its **length**. This catches out many constructors, for the simple reason that if a machine screw length is specified, this does *not* mean the total length of the fastener! The "length" starts from the *underside of the head*. This is worth remembering, especially when buying short fasteners of just a few millimetres: the head is not included in the length (or at least, if it is, then the catalogue is wrong).

Hence a machine screw might typically be specified as "M4 × 25" – 4mm diameter thread, having a thread length of 25mm. Incidentally, after measuring a few which I had in stock, it appears, however, that the specified length of a *countersunk* screw does indeed include the head!

MISCELLANY

Washers are used to spread the force applied by the head, which is sometimes important when dealing with plastic boxes. Shakeproof washers have teeth which dig into the material and help prevent the nuts and bolts from loosening. You would use shakeproof fasteners if the project was likely to be subjected to vibration (e.g. a car alarm project, or a portable project, perhaps).

Nuts are obviously bought to match the thread size: choose from full nuts or half nuts, which are slimmer, space-saving types and adequate for most jobs. Again ISO metric or BA sizes are readily available.

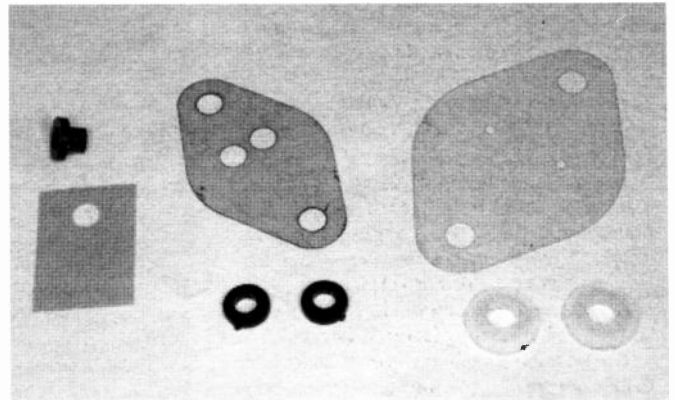
To mention a few alternatives briefly, a small range of fasteners is available which is moulded in *nylon*, which you

may need to use if electrical insulation is important, providing the parts concerned don't become excessively hot. It's useful to keep just a small range in stock for such occasions, but they are not particularly strong and should not be over-tightened. For particularly demanding applications, you might select *stainless steel* fasteners for longevity and total weather-resistance.

Self-tapping screws cut their own thread when screwed into place. They're used mostly for screwing sheet metal together or for grounding wires to a chassis (look at any car) or for securing items into a "blind" hole (a hole drilled into a material, rather than all the way through it). Generally, though, prototypes tend to be assembled using good old machine screws and nuts!

HEATSINKS

Some projects will require the use of a heatsink – a heat-dissipating radiator usually made of aluminium onto which a semiconductor power device is bolted. A connection is sometimes made via one of the component's mounting bolts (usually for the collector of a power transistor, or the output of a regulator) using a solder tag



Transistor mounting kits – TO-126, TO-66 and TO-3, with insulating bushes.

placed either under the screw head, or under the *nut* if the device is mounted on the outside of the project housing. This means that the case of the semiconductor device is "live".

It might often be necessary to insulate the semiconductor entirely from the heatsink, and special "mounting kits" are available which contain all the necessary insulating components. A specially-shaped washer is used, which matches the profile of the semiconductor can, and is sandwiched between the heatsink and the device, prior to bolting them together. The specially-shaped washer will insulate the part electrically, but is designed to transfer heat efficiently at the same time. Plastic bushes included in the kit are placed under the fixing nuts.

More recently, one-piece insulating kits have become available (Maplin CH03D *et al*) which are convenient to use. Many constructors also add a smear of silicon grease on each side of the washer to aid thermal transfer, but this is no longer necessary with modern thermally-conducting materials. It's a good idea to keep one or two insulating kits in stock to accommodate various semiconductor outlines.

P.C.B. STAND-OFFS

By this stage, your project will hopefully be taking on its final form. The printed circuit board now requires fitting into place after which the interwiring can be carried out to complete the project. It's best to ensure that the board (usually a glass-fibre printed circuit board) is secured solidly into place and can't move, especially if it's operating at mains voltages. This can be accomplished effectively using a variety of "mounting hardware" so that the board is stood off a short distance from the chassis floor or panel.

Moulded one-piece nylon "stand-offs" (or pillars) are convenient and are readily available in different lengths by mail-order, and these simply push-fit into place. Because they have a finger-tip release latch, they enable the p.c.b. to be removed without the need for tools – useful if you intend to remove the board to modify it during prototyping. You simply need to ensure that you follow the drilling dimensions specified in the supplier's data. Such nylon stand-offs have the added benefit of ensuring that the p.c.b. is completely insulated from the chassis, which is reassuring (and important, if the board is operating at mains voltages).

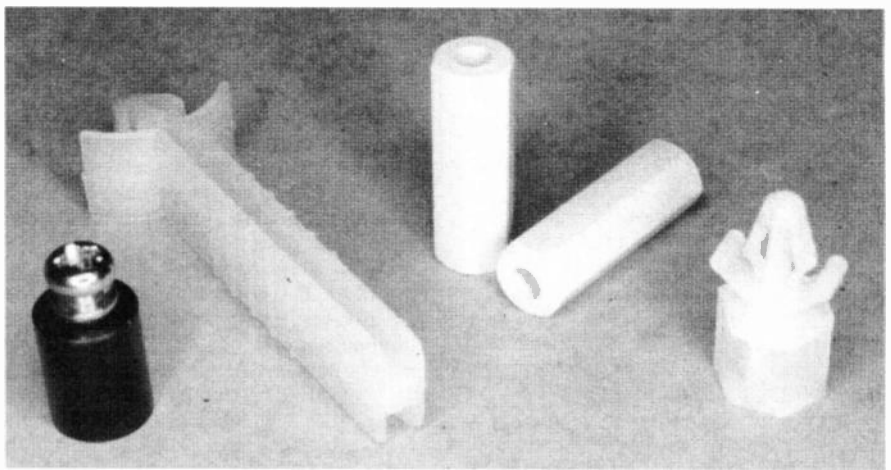
Alternatives to moulded pillars include hollow plastic or metal spacers which are used in conjunction with a machine screw of appropriate length, plus nuts and washers. I prefer to use these as they hold the board very solidly in place, but they are fiddly compared with one-piece moulded parts. Usually, M3 fittings are used. Once again, if mains voltages are present then it is wise to ensure that *fully insulating* fittings are utilised so that the fixing screws cannot possibly become live and cause a shock hazard, in the event of an internal wiring failure.

FLYING LEADS

If there are any flying leads to be soldered to the board then you might decide to leave the board loosely in position so that you can still access the solder-side of the board. Alternatively, if you have used "solder pin" connections on the p.c.b., then these will be prominent on the component side, so the board can now be fixed into place and conveniently interwired *in-situ*, because you don't need access to the copper-foil side of the board.

It is customary to employ multi-stranded-core p.v.c. insulated wire for most interwiring tasks. The multiple strands give the wire a flexibility which also helps ensure that the wire won't fracture internally through vibration. Solid-core single strand wire can be used in assemblies where such damage isn't likely to be a problem, and this type of wire has the added bonus of being able to be bent to shape with pliers, to form the wire into neat looms ("plate wiring").

Multi-stranded wire is normally specified by the number of copper strands together with their diameter. This determines the total cross-sectional area (CSA) of the wire and therefore the current-carrying capacity of the wire – the larger the CSA, the lower its electrical resistance will be, and so the greater the current it may carry safely. (The current value also depends on the wire's temperature.) Table 1 shows a listing of common cable current ratings and specifications.



Selection of p.c.b. mounting pillars, both screw and clip-on fixing.

Ordinary "hook-up" wire is 7/0.2mm (seven strands, each 0.2mm diameter). A quick calculation using $Area\ of\ a\ circle = \pi r^2$ where r is the radius, produces a CSA of 0.03mm² per strand. Hence the overall CSA of the wire is seven times this, i.e. 0.22mm² in total. It's best to buy a quantity of 7/0.2 hook-up wire of a few different colours, to help identify the interwiring and aid tracing and fault-finding. A modest 10 metre pack, e.g. as retailed by Maplin, will easily get you off the ground with minimal cost. Rapid Electronics (Tel. 01206-751166) sell a kit of 11 reels, each 100m, in different colours, for heavier users.

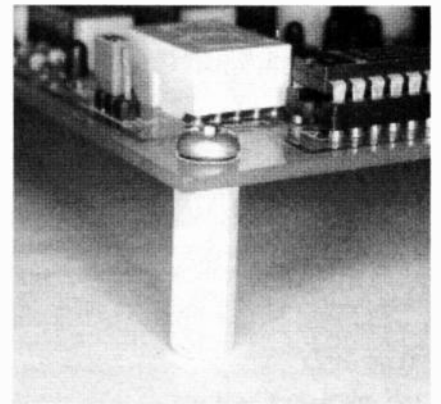
From experience, a flying lead which is soldered to, say, the tag of a switch, is likely to be a weak point in the future, especially if the project is subject to vibration. The wire flexes at the solder joint, and due to metal fatigue in the solder, it may ultimately break off in extreme instances. A dab of hot-melt glue to cover the joint, will help prevent this by acting as a strain relief.

HEAVY-DUTY

For heavier-duty connections, notably those at mains or EHT (extra high tension) voltages, then you must take especial care to ensure that the wire used is of an adequate voltage and current capacity: observe the specifications carefully. Although 7/0.2mm wire is rated at up to 1.4A, 1kV

(at 70°C), personally, I would seldom use it to connect anything at mains voltages except perhaps mains neon indicators. Otherwise I reserve it purely for most low voltage general-purpose connections.

The mains input side (where applicable) of a project will usually require 3-core mains flex or cord, (live, neutral and earth/ground). Regardless of how low the current consumption of a project may be, it is best to use 6A mains flex at a minimum, since this is physically a stronger cable which will withstand more rough treatment than, say, a 3A cable, and the overall difference in cost is negligible.



Insulated mounting pillar holding the p.c.b. clear of the case floor.

Table 1: Ratings for hook-up wire. Typical values only are shown, and suppliers' specifications should be consulted where necessary.

No. of Cores/Dia. (mm)	Total CSA (mm ²)	Maximum Current	Maximum Voltage (RMS)	Overall Diameter (mm)	Suggested uses
1/0.25	0.049	0.4A	300V	0.5	specialist wire wrapping
10/0.1	0.078	0.5A	1kV	0.9	miniature, signal, low power
1/0.6	0.28	1.8A	1kV	1.2	rigid interwiring
7/0.2	0.22	1.4A	1kV	1.2	general low-duty hook-up
16/0.2	0.5	3A	1kV	1.6	general hook up, mains
24/0.2	0.75	4.5-6A	1kV	2.3	general hook up, mains
32/0.2	1.00	6A	1.5kV	2.6	general hook up, heavy duty
30/0.1	0.23	1.5A	500V a.c.	2.0	miniature test leads
55/0.1	0.43	2.5A	500V a.c.	2.8	extra flexible test leads
260/0.07	1.00	20A	1kV	3.6	high quality test leads

STRIP JOINTS

If you're like me, you'll think that stripping the insulation from any form of cable is a chore, and so I always use a "Toggle" mains cable stripper, a small disposable tool which bares multi-core mains cable ends deftly, and with almost surgical precision, and my trusty and indispensable Ideal Tools "Stripmaster" makes short work of all other wire-stripping (see Part One).

To form mains connections actually within a prototype, 16/0.2 is suitable for lighter-duty usage up to 3A, whilst a heavier-grade 24/0.2mm is good for 6A. You may sometimes find it very difficult to solder 6A wire to the small tags of toggle switches or other sub-miniature parts, though, and one work-around is to use 6A mains flex for the mains supply input, and take this to a terminal block from which a narrower-gauge (e.g. 16/0.2) cable can be hooked to the mains switches, neon indicators and similar parts. Certain projects (e.g. a mains-operated heater thermostat) may require a fully-rated 13A cable connection (40/0.2mm).

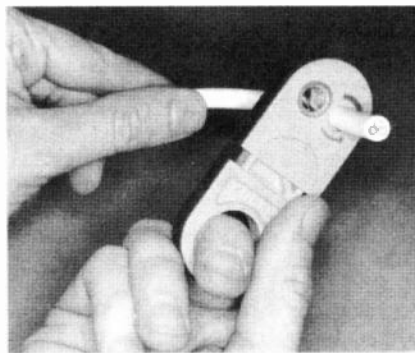
It is critical that the mains cord is secured into place using a cable-retention device. It is potentially very dangerous to overlook this since, in the event of an accident, if the cable is pulled out then the miscreant will be left holding a live mains cable. It is very bad practice to simply knot the cable, something you do at your peril, given that there are plenty of cheap ready-made solutions available which ensure that the flex will be held firmly and safely in place. A humble nylon "P" clip of the correct size will provide a very strong grip, for example.

Furthermore, the cable must be protected from chaffing at the point of entry – especially when using metal panels – so use a PVC grommet at the very least to cushion the cable. Alternatively, select a "cable gland" which acts as a grommet and cable grip, all in one. Possibly keep a few cable retention clips for 6A and 13A cable – noting the diameters of the cable so that you select the right size of clip (Table 2 may help).

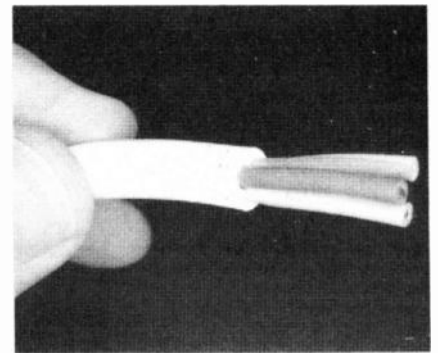
BLOCKS AND FERRULES

Screw-terminal blocks can be a source of potential disaster if the cables themselves are inadequately prepared. It's not uncommon, when stripping the insulation off a wire, to cut into the copper strands, thereby weakening that part of the cable. The use of correctly-adjusted wirestrippers will help avoid this. Also, any errant strands which are *not* trapped under the terminal screw can protrude outwards and short to adjacent terminals, or, worse, to the chassis itself.

An excellent means of tidying up any multi-stranded cable connections prior to inserting them into a terminal block is to use a "ferrule", which will appeal to more discerning constructors and will provide probably the most reliable connection possible. Constructors sometimes tin the bared end with solder before inserting it into a terminal block, but the screw can actually create a weak spot in the wire, and also the wire can ultimately fracture through vibration. Hence, it's arguably better not to tin the wire end at all.



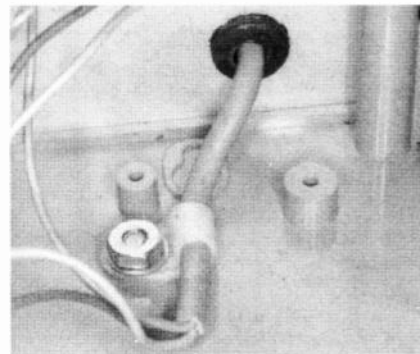
Using a Toggle wire stripper makes a neat job of mains cable.



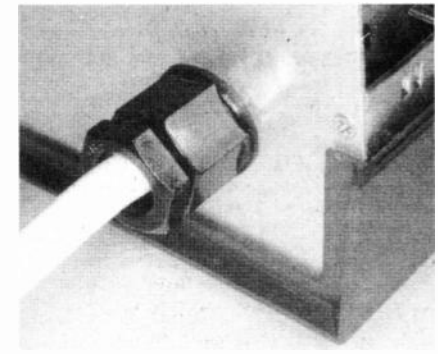
Results of using wire stripper to remove the outer covering of mains cable.

Table 2 Ratings and dimensions for multi-core mains cable. The nominal diameter shown, will help when choosing grommets and cable retention clips.

Multicore Mains Cable	CSA per core (mm ²)	Maximum Current	Maximum Voltage	Nominal Diameter (mm)	Notes
3 × 16/0.2	0.5	3A	300V	5.6	low load equipment
3 × 24/0.2	0.75	6A	300V	6.9	mains power leads
3 × 40/0.2	1.25	13A	300V	8.5	H.D. mains leads



Using a P-clip as a strain relief for mains cable.



Using a "cable gland" provides protection from chaffing.

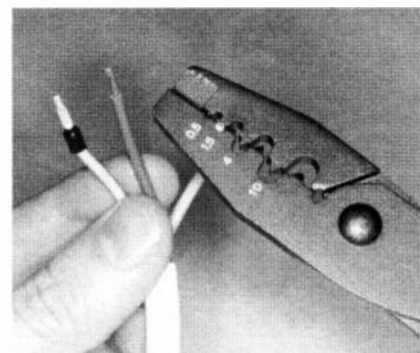
Ferrules avoid all of these problems and they ensure that all copper strands are held together neatly. Either a special crimping tool can be used to crimp them tightly onto the cable end, or to save money, simply slide a ferrule over the bared cable end, then insert it fully into the terminal block and tighten down the screw. The terminal block screw will crimp the ferrule onto the cable, and helps to guarantee that all of the copper wire is fully caught underneath the screw.

Still on the subject of mains interwiring, a fuseholder is usually compulsory and one particular type of mains terminal block has a built-in cartridge fuseholder in series with the live feed – an excellent labour-saving

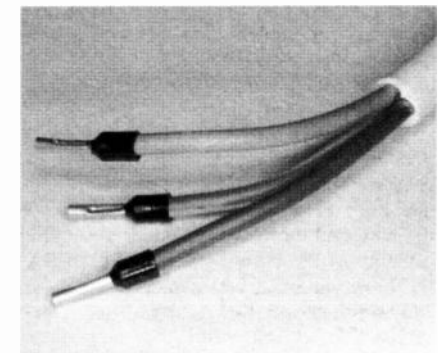
idea (stocked by Maplin, RS, Premier Farnell Components). Otherwise choose from a range of chassis-mounting or panel-mounting 20mm or 1/4" types.

EARTHING IT

Unless a mains-powered project has been designed to be "double insulated" – which is rarely possible in the home-construction market – then the designer will give instructions concerning the *earthing* of the prototype. Usually, this means that the mains earth will be brought in and electrically connected to the box, if it is made entirely of metal. Otherwise, the front/rear panels will need to be earthed



A metal ferrule being crimped onto a bare cable.



Using ferrules on the ends of mains leads prevents stray strands.

individually if the box is of the combination type which has metal panels retained within a plastic moulding.

Earthing can be effected by soldering the earth wire (green/yellow) to a solder tag, which is then held captive under a transformer mounting screw, for example, or use a large 10mm diameter crimp tag which can be placed under a rotary switch nut or similar, behind the control panel. Usually, the transformer mounting frame is earthed via one of its mounting bolts, and you can use further solder tags placed under the same bolt, to take earth connections to other areas of the project if needed (e.g. a mains outlet socket).

Whilst all earth connections can generally remain uninsulated, it's of considerable importance that any mains-voltage joints are adequately insulated, to protect both yourself or anyone else who might use or work on the project, both now or in the future. *PVC insulation* tape is crude and unreliable, but is better than nothing (just) for insulating awkwardly-shaped joints. Try to do as neat and thorough an insulation job as possible: if you can afford it, you might think about using *heat-shrinkable tubing* which is probably the most effective way of insulating many types of joint.

HEAT-SHRINK TUBING

Various diameters and colours (including transparent) of heat-shrink sleeving are available, which shrink to half of their original diameter when heated and form a good-quality insulated joint. Ordinary DIY-type hot-air guns aren't really suitable for this application, as they are far too imprecise (or just plain too hot!).

It is difficult to produce consistent results unless a hot-air gun is used which has specially-shaped heat reducer adaptors made for this type of delicate work. In my view, the best type is the lightweight, precision USA-made model by Ungar, as sold by RS and Maplin, but unfortunately at some £120 this gun is now very expensive indeed, and will only be of interest to serious constructors. It is worth considering an economically-priced gas-powered pencil torch for heat-shrinking. Antex produce a compact gas-catalyst torch kit (about £36), but other models are available under the "Flame Master" brand, including a pencil gas torch and hot air blower head. Maybe buy the torch and hot air tip as separate items, to save money.

Large-diameter heat-shrinkable tubing is also useful for insulating entire components such as fuseholders or small battery stacks. *Heat-resistant sleeving* made with Teflon or fibre-glass has occasional uses too (e.g. the piezo spark ignitor of my barbecue!), and a short length may be handy in the spares box.

Ordinary (non-shrinking) PVC sleeving could be used if you don't wish to utilise heat-shrinkable tubing; simply cut a piece to length, slide it over the wire, then solder the joint before sliding the sleeving back over to insulate the joint. A dab of hot melt glue may help secure the tubing in place if necessary.

WIRE ROUTING

You will also enhance your project by keeping all wiring neat and tidy, and nylon cable ties can be used to form bundles of

wires into looms, remembering to colour-code individual wires to help with tracing and checking.

You may need to ensure that sensitive signal wires (e.g. audio leads) are routed away from mains supplies, transformers or other potential sources of "noise". Certain classes of project, notably audio amplifiers and heavy-duty power supplies, may have special requirements for connecting power rails or earths at *one point* only. This is generally to avoid introducing an unnecessary electrical resistance into a circuit which could cause a voltage drop which would introduce hum and noise.

You will also improve the access to the circuit boards and components themselves by wiring neatly, and wires should be routed away from any parts which may require ventilation – power devices which run hot, for example. Catalogues are full of cable accessories, and wire looms can be secured by using a nylon tie, fitted to a self-adhesive tie-wrap base, which can be stuck down onto the chassis. (The same technique can be used for securing other components, including larger can-type electrolytic capacitors.)

FOOT NOTE

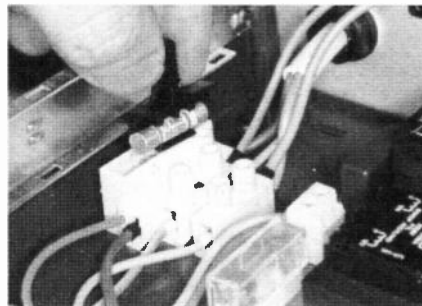
By this stage, the constructional aspects of your project will be completed. Only a few finishing touches remain – perhaps use self-adhesive cabinet feet to protect

surfaces from scratching, and ensure that all fasteners are tight. Blow out any residual metal swarf (if any) which might be lurking within the box, and perform any final double-checks. Then power up the project and proceed to ensure that it operates in accordance with expectations.

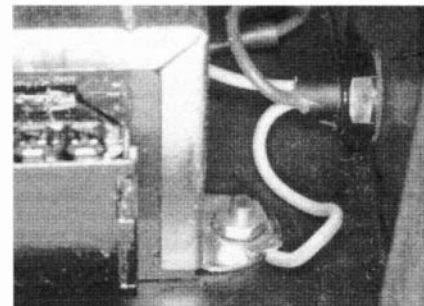
What if your project doesn't quite function properly? The black art of trouble-shooting and fault-finding is beyond the scope of this *Build Your Own Projects* series, unfortunately, but you can check some obvious aspects first: completely incorrect components (especially colour-coded parts), reverse-connected parts (diodes and transistors), missing or incorrect wiring, even a missing fuse!

Remember that many *EPE* contributors will be willing to lend a hand if you experience a problem with one of their projects. You can write to them (*no models*) via the Editorial address, explaining any symptoms fully, and including any test readings if available.

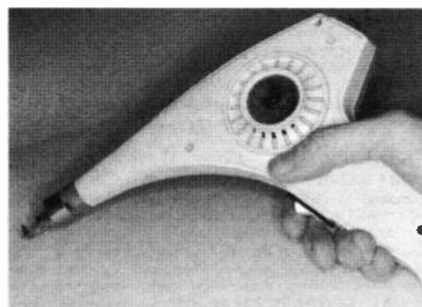
Having come all this way, assembling your prototype from scratch using your own skills, and then witnessing the finished product for the first time is a tremendously rewarding experience. Working with modern micro-electronics and mastering it in your own home or workshop, takes some beating. We wish you many a successful project. □



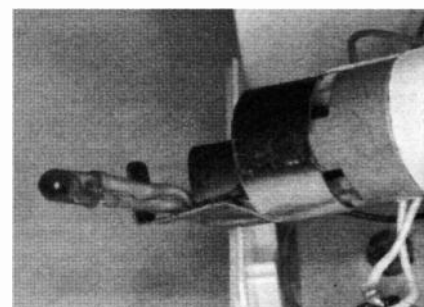
Mains cable, with ferrule terminations, inserted into a screw-terminal block incorporating a built-in fuseholder.



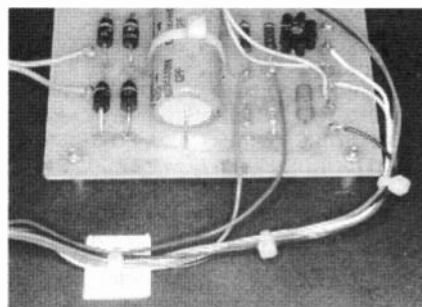
Using a solder tag underneath a transformer mounting bolt – a good "Earth" point for mains earth leads.



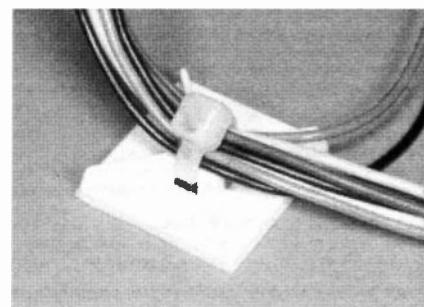
Hot air gun for heat-shrinking sleeving over bare solder joints.



Applying heat-shrink to an off-board l.e.d. (light-emitting diode).



Using nylon tie-wraps forms wires into neat looms.



A self-adhesive tie-wrap, together with a nylon tie.

DIFFERENTIAL THERMOSTAT KIT Perfect for heat recovery solar systems boiler efficiency etc. Two sensors will operate a relay when a temp difference (adjustable) is detected. All components and pcb £29 ref L0793

MAGNETIC RUBBER TAPE Selfadhesive 10 metre reel 8mm wide perfect for all sorts of applications! £15 ref L0787

RADIO METERS - REMEMBER THESE? Glass bulb on a display stand that contains four vanes that rotate when exposed to sunlight, scientific novelty for £8 99 ref SC120

MAINS POWER SAVER UK made plug in unit fitted in seconds, can reduce your energy consumption by 15%. Works with fridges soldering irons conventional bulbs etc. Max 2A rating £9 each ref L0771. pack of 10 £69 ref L0772

YUASHA SEALED LEAD ACID BATTERIES ex equipment but ok bargain price just £5 99 each ref YA1 100 or more £3 50 each

DC TO DC CONVERTERS
 DRM58 input 10-40vdc output 5v 8A £15 DRM128 input 17-40vdc output 12v 8A £18 DRM158 input 20-40vdc output 15v 8A £18 DRM248 input 29-40vdc output 24v 8A £12 DRS123 input 17-40vdc output 12v 3A £10 DRS153 input 20-40vdc output 15v 3A £20 DRS243 input 29-40vdc output 24v 3A £8

INSTALL A CONBOX FOR LESS THAN £20 Convert any standard phone into a conbox with this kit some mods required plus hinges and a lock £19 ref CB1

HITACHI LM225X LCD SCREENS 270x150mm standard 12 way connector 640x200 dots, tec spec sheet £15 each ref LM2

VARIABLE CAPACITORS Dual gang 60x33x45mm reduction gearing, unknown capacity but probably good quality (military spec) general purpose radio tuner £9 ref VC1

ELECTRONIC FLASH PCB Small pcb fitted with components including a flash tube. Just connect 12vdc and it flashes. variable speed potentiometer £6 ref FLS1

THIEF PROOF PEN! Amazing new ball point pen fitted with a combination lock on the end that only you know! £2 49 ref TP2

JUMBO BI COLOUR LEDS PCB with 15 fitted also 5 giant seven segment displays (55mm) £8 ref JUM1

HOME DECK CLEARANCE These units must be cleared! leads a infra red remote qwerty keyboard and receiver. a standard UHF modulator. a standard 1200/75 BT approved modem and loads of chips, capacitors, diodes, resistors etc all for just £10 ref BAR33

6.8MW HELIUM NEON LASERS New units, £65 ref L0733

COINSLOT TOKENS You may have a use for these? mixed bag of 100 tokens £5 ref L0720

PORTABLE X RAY MACHINE PLANS Easy to construct plans on a simple and cheap way to build a home X-ray machine! Effective device X-ray sealed assemblies can be used for experimental purposes. Not a toy or for minors! £8/set Ref FXP1

TELEKINETIC ENHANCER PLANS Mysterify and amaze your friends by creating motion with no known apparent means or cause. Uses no electrical or mechanical connections, no special gimmicks yet produces positive motion and effect. Excellent for science projects, magic shows, party demonstrations or serious research & development of this strange and amazing psychic phenomenon £4/set Ref FTK1

ELECTRONIC HYPNOSIS PLANS & DATA This data shows several ways to put subjects under your control. Included is a full volume reference text and several construction plans that when assembled can produce highly effective stimuli. This material must be used cautiously it is for use as entertainment at parties etc only by those experienced in its use £15/set Ref FHE2

GRAVITY GENERATOR PLANS This unique plan demonstrates a simple electrical phenomena that produces an anti-gravity effect. You can actually build a small mock spaceship out of simple materials and without any visible means - cause it to levitate £10/set Ref FIGRA1

WORLDS SMALLEST TESLA COIL/LIGHTENING DISPLAY GLOBE PLANS Produces up to 750 000 volts of discharge experiment with extraordinary HV effects. 'Plasma in a jar' St Elmo's fire Corona excellent science project or conversation piece £5/set Ref FBTC1/LG5

COPPER VAPOUR LASER PLANS Produces 100mw of visible green light. High coherence and spectral quality similar to Argon laser but easier and less costly to build yet far more efficient. This particular design was developed at the Atomic Energy Commission of NEGEV in Israel £10/set Ref FJCVL1

VOICE SCRAMBLER PLANS Miniature solid state system turns speech sound into indecipherable noise that cannot be understood without a second matching unit. Use on telephone to prevent third party listening and bugging £6/set Ref FVSS

PULSED TV JOKER PLANS Little hand held device utilises pulse techniques that will completely disrupt TV picture and sound! works on FM too! DISCRETION ADVISED £8/set Ref FTTJ5

BODYHEAT TELESCOPE PLANS Highly directional long range device uses recent technology to detect the presence of living beings. warm and hot spots, heat leaks etc. Intended for security, law enforcement, research and development, etc. Excellent security device or very interesting science project £8/set Ref FBHT1

BURNING, CUTTING CO2 LASER PLANS Projects an invisible beam of heat capable of burning and melting materials over a considerable distance. This laser is one of the most efficient, converting 10% input power into useful output. Not only is this device a workhorse in welding, cutting and heat processing materials but it is also a likely candidate as an effective directed energy beam weapon against missiles, aircraft ground-to-ground etc. Particle beams may very well utilize a laser of this type to blast a channel in the atmosphere for a high energy stream of neutrons or other particles. The device is easily applicable to burning and etching wood, cutting plastics, textiles etc £12/set Ref FLCT7

MYSTERY ANTI GRAVITY DEVICE PLANS Simple concept. Objects float in air and move to the touch. Defies gravity amazing gift, conversation piece, magic trick or science project £6/set Ref FJANT1K

ULTRASONIC BLASTER PLANS Laboratory source of sonic shock waves. Blow holes in metal produce 'cold' steam atomize liquids. Many cleaning uses for PCB boards, jewelry, coins, small parts etc. £6/set Ref FULB1

ULTRA HIGH GAIN AMP/STETHOSCOPIC MIKE/SOUND

AND VIBRATION DETECTOR PLANS Ultrasensitive device enables one to hear a whole new world of sounds. Listen through walls windows floors etc. Many applications shown from law enforcement, nature listening, medical heartbeat to mechanical devices. £6/set Ref F/HGA7

**WOLVERHAMPTON ELECTRONICS
STORE NOW OPEN IN
WORCESTER ST TEL 01902 22039**

ANTI DOG FORCE FIELD PLANS Highly effective circuit produces time variable pulses of acoustical energy that dogs cannot tolerate £6/set Ref F/DG2

LASER BOUNCE LISTENER SYSTEM PLANS Allows you to hear sounds from a premises without gaining access. £12/set Ref F/LLIST1

LASER LIGHT SHOW PLANS Do 4 yourself plans show three methods £6 Ref F/LLS1

PHASOR BLAST WAVE PISTOL SERIES PLANS Handheld has large transducer and battery capacity with external controls £6/set Ref F/SP4

INFINITY TRANSMITTER PLANS Telephone line grabber/monitor. The ultimate in home/office security and safety! simple to use! Call your home or office phone push a secret tone on your telephone to access either A) On premises sound and voices or B) Existing conversation with break-in capability for emergency messages £7 Ref F/TELEGRAB

BUG DETECTOR PLANS Is that someone getting the goods on you? Easy to construct device locates any hidden source of radio energy! Sniffs out and finds bugs and other sources of bothersome interference. Detects low high and UHF frequencies £5/set Ref F/BD1

ELECTROMAGNETIC GUN PLANS Projects a metal object a considerable distance - requires adult supervision £5 ref F/EML2

ELECTRIC MAN PLANS, SHOCK PEOPLE WITH THE TOUCH OF YOUR HAND! £5/set Ref F/EM1

PARABOLIC DISH MICROPHONE PLANS Listen to distant sounds and voices, open windows, sound sources in 'hard to get' or hostile premises. Uses satellite technology to gather distant sounds and focus them to our ultra sensitive electronics. Plans also show an optional wireless link system £8/set Ref F/PM5

2 FOR 1 MULTIFUNCTIONAL HIGH FREQUENCY AND HIGH DC VOLTAGE, SOLID STATE TESLA COIL AND VARIABLE 100,000 VDC OUTPUT GENERATOR PLANS Operates on 9-12vdc. many possible experiments. £10 Ref F/HVM7/TCL4

MEGA LED DISPLAYS PCB fitted with 5 seven segment displays each measuring 55 x 38mm £5 ref LED5

MOD TRANSMITTING VALVES 5J180E £80 ref L07112

SWITCHED MODE PSU'S 244 watt +5 32A +12 6A -5 0 2A -12 0 2A There is also an optional 3.3v 25A rail available 120/240v U/P Cased 175x90x145mm IEC inlet Suitable for PC use (6 d/drive connectors 1 m/board) £15 ref L07135

**Check out our
WEB SITE**

**full colour interactive
1997 catalogue**

<http://www.pavilion.co.uk/bull-electrical>

VIDEO PROCESSOR UNITS? 76v 10AH BATT/24V 8A
 TX Not too sure what the function of these units is but they certainly make good strippers! Measures 380X320X120mm, on the front are controls for scan speed scan delay scan mode loads of connections on the rear. Inside 2 x 6v 10AH sealed lead acid batts pcb's and a 8A? 24v toroidal transformer (mains in) sold as seen, may have one or two broken knobs etc due to poor storage £15 99 ref VF2

RETRO NIGHT SIGHT Recognition of a standing man at 300m in 1/4 moonlight, hermetically sealed runs on 2 AA batteries 80mm F1.5 lens, 20mw infrared laser included £325 ref RETRON

MAKE YOUR OWN CHEWING GUM KIT Everything you need to make real chewing gum, even the bowl and tree sap from the Sapodilla tree £7 99 ref SC190

MINI FM TRANSMITTER KIT Very high gain preamp supplied complete with FET electret microphone. Designed to cover 88-108 Mhz but easily changed to cover 63-130 Mhz. Works with a common 9v (PP3) battery 0.2W RF £9 Ref 1001

3-30V POWER SUPPLY KIT Variable stabilized power supply for lab use. Short circuit protected, suitable for professional or amateur use 24v 3A transformer is needed to complete the kit £14 Ref 1007

1 WATT FM TRANSMITTER KIT Supplied with piezo electric mic. 8-30vdc. At 25-30v you will get nearly 2 watts! £15 ref 1009

FM/AM SCANNER KIT Well not quite you have to turn the knob your self but you will hear things on this radio that you would not hear on an ordinary radio (even TV). Covers 50-160mhz on both AM and FM

BULL ELECTRICAL

250 PORTLAND ROAD, HOVE, SUSSEX.
 BN3 5QT. (ESTABLISHED 50 YEARS).
 MAIL ORDER TERMS: CASH, PO OR CHEQUE
 WITH ORDER PLUS £3.50 P&P PLUS VAT.
 24 HOUR SERVICE £4.50 PLUS VAT.
 OVERSEAS ORDERS AT COST PLUS £3.50

PLEASE ALLOW 7-10 DAYS FOR DELIVERY PHONE ORDERS
 WELCOME (ACCESS, VISA, SWITCH, AMERICAN EXPRESS)
 TEL: 01273 203500
 FAX 01273 323077
 E-mail bull@pavilion.co.uk

Built in 5 watt amplifier inc speaker £18 ref 1013

3 CHANNEL SOUND TO LIGHT KIT Wireless system, mains operated separate sensitivity adjustment for each channel 1,200 w power handling, microphone included £17 Ref 1014

4 WATT FM TRANSMITTER KIT Small but powerful FM transmitter 3RF stages microphone and audio preamp included £24 Ref 1028

STROBE LIGHT KIT Adjustable from 1-60 hz (a lot faster than conventional strobes) Mains operated £17 Ref 1037

COMBINATION LOCK KIT 9 key programmable complete with keypad, will switch 2A mains 9v dc operation £13 ref 1114

PHONE BUG DETECTOR KIT This device will warn you if somebody is eavesdropping on your line £9 ref 1130

ROBOT VOICE KIT Interesting circuit that distorts your voice! adjustable across the phone with a different voice! 12vdc £9 ref 1131

TELEPHONE BUG KIT Small bug powered by the phone line, starts transmitting as soon as the phone is picked up! £12 Ref 1135

3 CHANNEL LIGHT CHASER KIT 800 watts per channel speed and direction controlled supplied with 12 LEDs (you can fit inco instead to make kit mains not supplied) 9-12vdc £17 ref 1026

12V FLOURESCENT LAMP DRIVER KIT Light up 4 foot tubes from your car battery! 9v 2A transformer also required £8 ref 1069

HELPING HANDS Perfect for those fiddly jobs that need six hands 6 ball and socket joints magnifier £7 99 ref YO57A

VOX SWITCH KIT Sound activated switch ideal for making bugging tape recorders etc. adjustable sensitivity £10 ref 1073

PREAMP MIXER KIT 3 input mono mixer, sep. bass and treble controls plus individual level controls, 18vdc, input sens 100mA £15 ref 1052

SOUND EFFECTS GENERATOR KIT Produces sounds ranging from bird chips to sirens. Complete with speaker add sound effects to your projects for just £9 ref 1045

16 WATT FM TRANSMITTER (BUILT) 4 stage high power, preamp required 12-18vdc can use ground plane, yagi or open dipole £89 ref 1021

HUMIDITY METER KIT Builds into a precision LCD humidity meter 9 ic design pcb lcd display and all components included £29

PC TIMER KIT Four channel output controlled by your PC will switch high current mains with relays (supplied). Software supplied so you can program the channels to do what you want whenever you want. Minimum system configuration is 286 VGA 4 1.640k serial port hard drive with min 100k free £24 99

MAGNETIC MARBLES They have been around for a number of years but still give rise to curiosity and amazement. A pack of 12 is just £3 99 ref GWR20

NICKEL PLATING KIT Professional electroplating kit that will transform rusting parts into showpieces in 3 hours! Will plate onto steel iron bronze gunmetal copper welded, silver soldered or brazed joints. Kit includes enough to plate 1,000 sq inches. You will also need a 12v supply a container and 2 12v light bulbs. £45 ref NIK39

Miniature adjustable timers, 4 pole c/o output 3A 240v, HY1230S, 12vdc adjustable from 0-30 secs. £4.99
 HY1260M, 12vdc adjustable from 0-60 mins. £4.99
 HY2405S, 240v adjustable from 0-5 secs. £4.99
 HY24060m, 240v adjustable from 0-60 mins. £6.99

BUGGING TAPE RECORDER Small voice activated recorder, uses micro cassette complete with headphones £28 99 ref MAR29P1

POWER SUPPLY fully cased with mains and o/p leads 17v DC 900mA output. Bargain price £5 99 ref MAG6P9

COMPOSITE VIDEO KIT. Converts composite video into separate H sync, V sync and video 12v DC £12 00 REF: MAG8P2

FUTURE PC POWER SUPPLIES These are 295x135x60mm, 4 drive connectors 1 mother board connector 150watt 12v fan iec inlet and on/off switch £12 Ref EF6

VENUS FLY TRAP KIT Grow your own carnivorous plant with this simple kit £3 ref EF34

6"X12" AMORPHOUS SOLAR PANEL 12v 155x310mm 130mA. Bargain price just £5 99 as REF MAG6P12

FIBRE OPTIC CABLE BUMPER PACK 10 metres for £4 99 ref MAG5P13 ideal for experimenters! 30 m for £12 99 ref MAG13P1

ROCK LIGHTS Unusual things these, two pieces of rock that glow when rubbed together! believed to cause rain! £3 a pair Ref EF29

3' by 1' AMORPHOUS SOLAR PANELS 14.5v 700mA 10 watts, aluminum frame, screw terminals, £55 ref MAG45

ELECTRONIC ACCUPUNCTURE KIT Builds into an electronic version instead of needles! good to experiment with £9 ref 7P30

SHOCKING COIL KIT Build this little battery operated device into all sorts of things, also gets worms out of the ground! £9 ref 7P36

HIGH POWER CATAPULTS Hinged arm brace for stability tempered steel yoke super strength latex power bands. Departure speed of ammunition is in excess of 200 miles per hour! Range of over 200 metres! £8 99 ref R9

COMPAQ POWER SUPPLIES WITH 12V DC FANS Ex equipment psu's, some ok some not but worth it for the fan alone! probably about 300 watt PC unit with IEC input £3 50 each ref CQ1

BALLON MANUFACTURING KIT British made, small blob blows into a large, longlasting balloon, hours of fun! £3 99 ref GVE99R

9-0-9V 4A TRANSFORMERS chassis mount £7 ref L0719A

MEGA LED DISPLAYS Build your self a clock or something with these mega 7 seg displays 5mm high 38mm wide 5 on a pcb for just £4 99 ref L0716 or a bumper pack of 50 displays for just £29 ref L0717

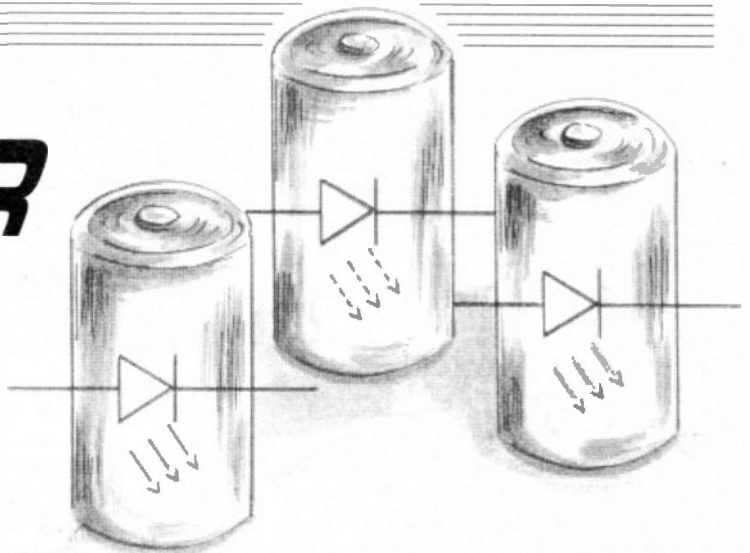
SOLID STATE RELAYS
 SMP-DC-200P 3-32vdc operation, 0-200vdc 1A, £2 50
 SMT20000/3 3-24vdc operation 28-280vdc 3A £4 50

**SAE FOR FREE
COLOUR CATALOGUE**

**WE BUY SURPLUS STOCK
FOR CASH
SURPLUS STOCK LINE 0802 660377**

TRI-COLOUR NiCad CHECKER

TERRY de VAUX-BALBIRNIE



A quick and easy method of checking-out the condition of your NiCads.

THIS device will determine the approximate charge state of most nickel-cadmium batteries found around the house. The display is in the form of a tri-colour light-emitting diode (l.e.d.) which will light up Red for Recharge, Yellow for Serviceable and Green for Good.

This provides a simple way of finding the amount of use a battery is likely to give before the need to recharge. The simplicity of testing will make the circuit popular with non-technically minded people, the elderly and children.

MAKING CONTACT

The tester is housed in a small plastic box which contains the circuit panel and a long-life battery (see photographs). There is a probe on a short lead which is held on the top (positive) contact of the cell to be checked. The bottom of the cell (negative contact) is then touched on a metal stud – this is a one-handed operation. A push-button switch is operated and the l.e.d. observed.

Note that the circuit is *only* suitable for checking *nickel-cadmium* (rechargeable) cells – not throw-away types. Also, it will only test *single cells* – not a battery pack containing more than one cell such as the 9V PP3 variety. Examples of single cells are the “AA”, “C” and “D” type but, in practice, it is the “AA” size which is most commonly found in the home.

LET DOWN

It is important to keep a careful eye on the state of charge of nickel-cadmium cells. The chief reason is because the amount of energy contained in them is much less than in the alkaline (throw-away) variety.

A NiCad cell therefore gives much less service from one charge and can let you down unexpectedly. Also, the performance of a throw-away cell falls off gradually

and gives ample warning that it needs to be replaced. By contrast, a NiCad cell maintains a fairly steady output until near the end whereupon it fails suddenly.

The Tri-Colour NiCad Checker works by responding to the voltage of the cell being checked. This falls slightly as energy is drawn from it. When freshly-charged, the on-load voltage of a NiCad cell (that is, the voltage measured while current is being drawn) approaches 1.5V.

However, this quickly falls and any voltage above 1.4V may be regarded as indicating “fully charged”. When about one-half of the charge remains, the voltage will have fallen to around 1.28V and when one-quarter is left it will be some 1.2V. The useful end-point voltage is about 1V.

The Checker applies a suitable load during the test and this may be increased by operating a pushbutton boost switch.

This could be appropriate for a larger cell or for a smaller one in a high-current application. For simplicity, this latter part could be omitted.

CIRCUIT DESCRIPTION

The full circuit diagram for the Tri-Colour NiCad Checker is shown in Fig. 1. The key components are the 2.5V voltage reference device, D1, and dual operational amplifier IC1. The op.amp is an inexpensive bipolar type. This is robust and will not be harmed if the cell under test were to be connected the wrong way round.

This is likely to happen every now and again – especially where children are involved. When this is done, the display goes off – i.e. no colour shows.

Battery B1 provides a nominal 6V supply for the circuit. Current is only drawn while Test switch S2 is operated so it will have a very long life – probably several years. It is important, therefore, that it has a long shelf life to match. The battery used in this circuit consists of *two* 3V lithium “coin” cells connected in series and these serve the purpose well.

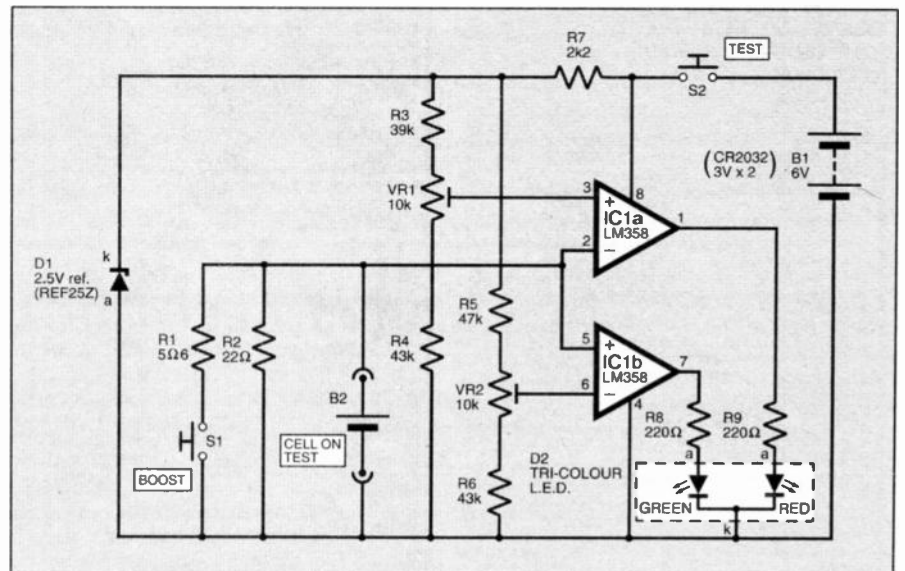


Fig. 1. Complete circuit diagram for the Tri-Colour NiCad Checker.

REFERENCE VOLTAGE

When switch S2 is pressed, a supply is established to the op.amp, IC1. Current also flows through resistor R7 and voltage reference device, D1. This is shown as a Zener diode but, although it serves the same purpose, it is a much more precise device. Whatever the voltage of the supply (subject to a minimum of about 3.5V), exactly 2.5V will exist across D1.

The reference voltage is connected across two potential dividers – R3, VR1 and R4 on one hand and R5, VR2 and R6 on the other. The fixed resistor values have been chosen to narrow the range of adjustment of the preset potentiometers to about 0.2V. In the case of VR1 this is 1.2V to 1.4V and for VR2, 1.1V to 1.3V approximately. Narrowing the range in this way allows for more accurate adjustment than would otherwise be possible.

Dual op.amp IC1 contains two identical units, IC1a and IC1b in the same package. Both sections are connected as voltage comparators.

The principle is this: If the non-inverting (+) input voltage exceeds the corresponding inverting (-) one, the output will be *high*. In other cases it will be *low*. With the particular device used, high is actually some 2V lower than positive supply voltage (nominally 4V).

The positive terminal of the cell under test, B2, is applied to the inverting input of IC1a (pin 2) and the non-inverting input (pin 5) of IC1b. Resistor R2 imposes a load of about 60mA on the cell (although this varies somewhat with the voltage). This is appropriate for a small cell ("AA" or "AAA" size). When Boost switch S1 is pressed, the load is increased to 300mA approximately by allowing additional current to flow through resistor R1.

GOOD BEHAVIOUR

To illustrate the behaviour of the circuit, suppose presets VR1 and VR2 are adjusted so that 1.35V and 1.25V respectively appear at their sliding contacts. This will result in 1.35V appearing at IC1a non-inverting input, pin 3, and 1.25V at IC1b inverting input, pin 6.

Completed printed circuit board. The lithium battery cells are clamped to the underside.

Suppose also that battery B2 under test has a terminal voltage of 1.4V (that is, it is well charged). Considering the comparator action of IC1a, the voltage at pin 2 exceeds that at pin 3 so it is *off* with the output, pin 1, *low*. The Red l.e.d. (D2) will therefore be off. In the case of IC1b, the voltage at pin 5 exceeds that at pin 6 so it is on with the output, pin 7 *high*. This will result in the Green l.e.d. (D2) being on.

COMPONENTS

Resistors

R1	5 Ω 6 (if needed, see text)
R2	22 Ω
R3	39k
R4, R6	43k (2 off)
R5	47k
R7	2k2
R8, R9	220 Ω (2 off)

All fixed resistors 0.6W 1% metal film.

Potentiometers

VR1, VR2	10k min enclosed carbon preset, vertical
----------	--

Semiconductors

D1	REF25Z 2.5V precision voltage reference
D2	5mm tri-colour l.e.d.
IC1	LM358N dual op.amp.

Miscellaneous

B1	CR2032 3V lithium coin cell, 20mm diameter 3.2mm thick (2 off – see text).
S1, S2	Sub min. push-to-make switch (2 off) – possibly only one needed see text.

Printed circuit board available from EPE PCB Service, code 138; 8-pin d.i.l. socket; plastic box, size 75mm x 50mm x 25mm; plastic stand-off insulator; small plug for test probe; solder tag; material for bracket; small fixings; M3 nylon nut and bolt, solder, etc.

Approx Cost
Guidance Only **£12**
excluding lithium cells

See
SHOP
TALK
Page

Suppose B2 has a voltage of 1.1V (i.e. it is practically "flat"). The conditions for the two comparators are now reversed. With IC1a, the voltage at pin 3 now exceeds that at pin 2 so the Red l.e.d. will be on. With IC1b, the voltage at pin 6 exceeds that at pin 5 so the Green one will be off.

TWO-IN-ONE

Now, consider the cell "on test" to have some intermediate voltage – say, 1.3V (medium charge). The voltage at pin 3 exceeds that at pin 2 so the Red l.e.d. is on. The voltage at pin 5 is greater than that at pin 6 so the Green one is also on. The l.e.d.s are not separate units but share the same package. When either Red or Green colours show, the appearance will be similar to that of a *single-colour* device.

However, when both red and green are on, the display will be *Yellow*. This is because the primary colours, red and green, mix in the milky white translucent plastic to produce the secondary colour, *yellow*.

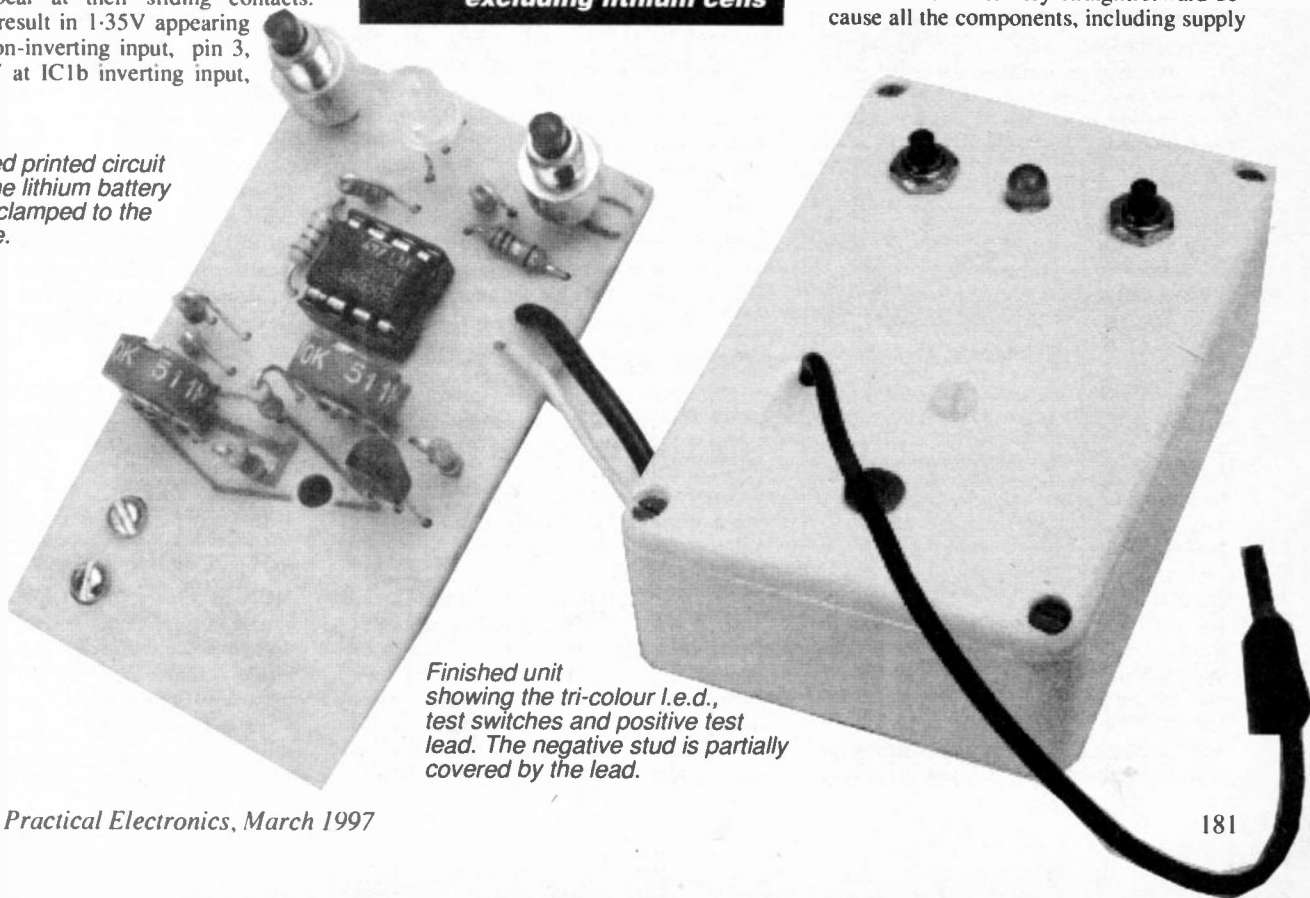
Both l.e.d. sections share a common cathode (k) connection but the two anode (a) leads are separate and need their own current-limiting resistor. These are R8 for the Green section and R9 for the Red one.

Taking account of the 2V approximately which exists across an operating l.e.d., and the fact that a *high* output from an op.amp output is actually about 4V, there will be about 2V available to drive current through it. The specified values of R8 and R9, will allow about 10mA to flow and this provides sufficient brightness without there being an excessive drain on the supply battery.

CONSTRUCTION

Details of the printed circuit board (p.c.b.) are shown in Fig. 2. This shows the topside component layout and underside (copper track) view. This board is available from the EPE PCB Service, code 138.

Construction is very straightforward because all the components, including supply



Finished unit showing the tri-colour l.e.d., test switches and positive test lead. The negative stud is partially covered by the lead.

battery, B1, are mounted on the p.c.b. If the Boost facility is not needed, resistor R1 and switch S1 are simply omitted.

Drill the single fixing hole and two small ones for battery B1 bracket in the positions indicated. "Solder-tin" (that is, apply a thin layer of solder) the large copper pad which will form the negative battery connection.

Solder the 8-pin d.i.l. socket in place and follow with all fixed resistors. Press the preset potentiometers firmly into their holes before soldering so that they occupy *minimum* height.

Mount the pushbutton switches with the *minimum* pin length needed to provide good soldered joints. This will allow the switches to stand above the panel by the greatest amount and will help when the p.c.b. is attached in position later.

Solder a 5cm piece of stranded connecting wire to the point labelled "B2-" and a 20cm piece to the point labelled "B2+". It will be best if the positive test wire is of a thin extra flexible type but any multistrand wire will give good service.

TRI-COLOUR L.E.D.

Solder the l.e.d. (D2) in position so that its top stands 15mm above the p.c.b. The centre lead is the common cathode (k). The two outer ones are bent differently near the body to signify the red and green sections - the right-angled bend denotes the red one. The pinout details are shown in Fig. 2.

Add the voltage reference device, D1, taking care over its orientation. Note that although this has three leads soldered to the p.c.b. only two of them are connected underneath - see Fig. 2. Adjust both presets fully clockwise (as viewed from IC1 position).

CELL DETAILS

Prepare the lithium cells which together form battery B1. These should be handled using a paper tissue to prevent grease from the fingers remaining on the surface. If they are touched, any fingermarks should be polished off using a paper tissue. The larger face of each cell is the *positive* (+) one and is so marked.

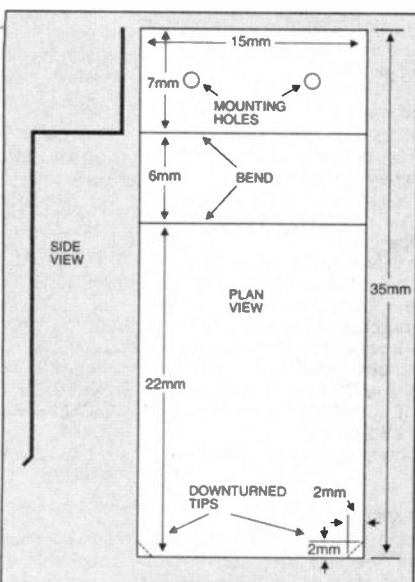


Fig. 3. Battery bracket dimensions and bending details.

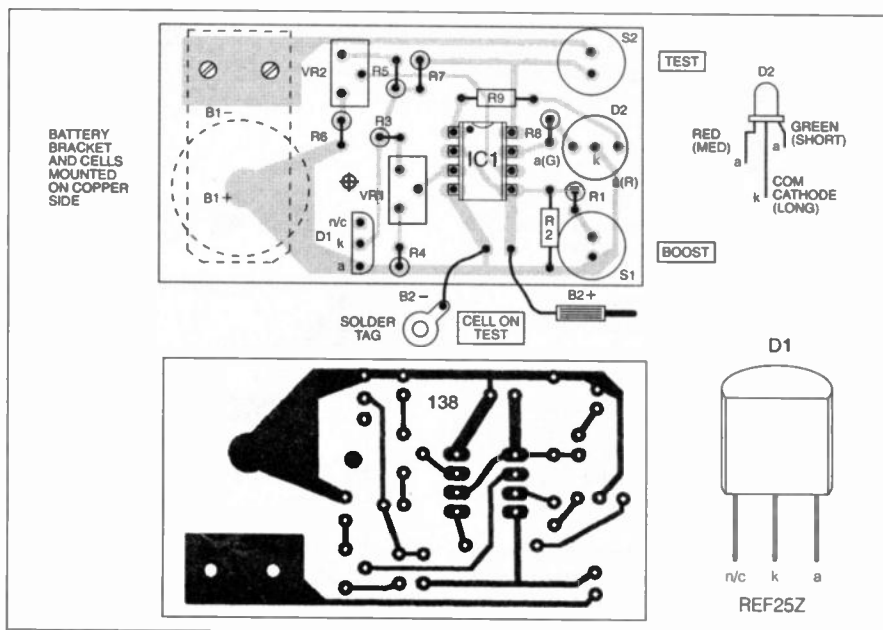
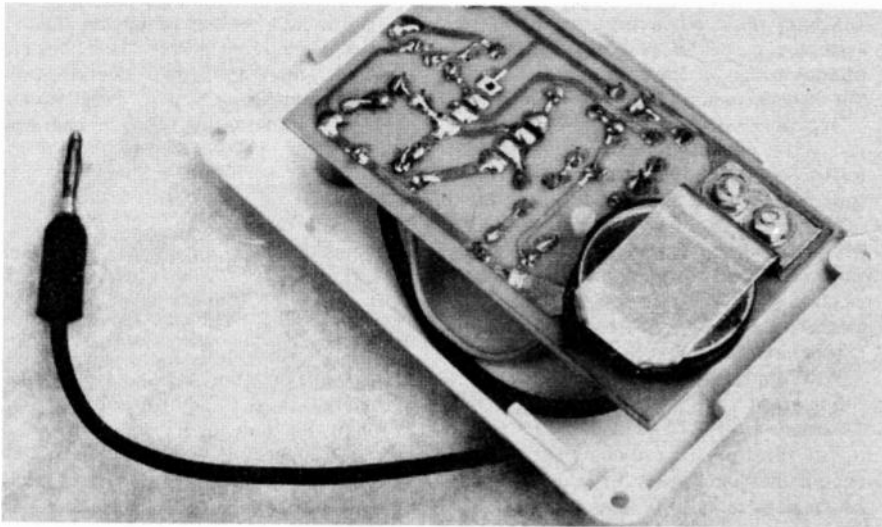


Fig. 2. Printed circuit board component layout, full size underside copper foil master and pinout details for the voltage reference "diode" and tri-colour l.e.d.



The "button" cells clamped in position on the copper side of the p.c.b.

Stack the cells with the positive face of each *upwards*. This will connect them in series. Press them together tightly and apply some p.v.c. insulating tape tightly around the rim. Trim off any excess so that the top and bottom faces are almost fully exposed. Apart from securing the cells as a unit, this also serves as insulation to prevent possible short-circuits being caused with the bracket which will form the positive connection.

CELL BRACKET

The bracket used in the prototype was made to the pattern shown in Fig. 3. A strip of brass size 35mm x 15mm was cut from a mains earthing strap. This material is easily cut and bent yet is springy and rigid enough for the purpose. However, other materials would probably be equally suitable.

Make the bends cleanly using a small vice or pliers. Measure the positions of the holes on the p.c.b. and drill those in the bracket to correspond. Make the downturned tips using a pair of pliers. These will help to locate the cell pack. Note that they must be small so that they only hold the top cell.

Place the cells in position, negative face down, and secure the bracket over them. Make any adjustments, as necessary, so that the cells are held securely and the lower one makes good contact with the tinned pad on the p.c.b. Check that the bracket makes a good connection with the positive face. Insert IC1 into its socket observing the orientation.

Measure the position of the switches, l.e.d. and fixing hole in the p.c.b. Mark these on the lid of the case and drill holes to correspond. Make the hole for the test stud in the position shown in the photographs and a small one for the positive test lead to pass through.

TEST STUD

Make the test stud by filing down the head of a small cheese-headed bolt until the slot is removed. Although this is not really necessary, it will improve the final appearance. Secure the stud in position with a solder tag under the nut on the inside. Solder the "B2-" wire leading from the p.c.b. to it.

Tie a knot in the "B2+" wire leaving some slack and pass it through the hole from the inside of the lid. Check that the

knot provides strain relief so that the wire cannot be pulled from the p.c.b. pad in use. Attach the 2mm plug (or similar small plug) to the free end of the lead to act as the test probe.

Pass the threaded switch barrels through the holes drilled in the lid. The l.e.d. should locate in its hole and protrude by a small amount. Attach the nuts to the switches so that the p.c.b. is secured. The presets VR1 and VR2 may prevent it taking up a horizontal position but if it tilts slightly this does not matter.

Measure the length of plastic stand-off insulator needed for the nylon bolt which will be used through the single p.c.b. fixing hole. Cut it to size. Remove the p.c.b. again since it will be much more convenient to test and adjust it this way.

TESTING

It will be convenient to use a rubber band or adhesive tape to hold pushbutton switch S2 down while making adjustments. With no cell connected, the red l.e.d. should be on.

It is possible to set up the NiCad Checker using a digital voltmeter only. However, some adjustment may still be needed over a trial period to make the unit respond exactly as required.

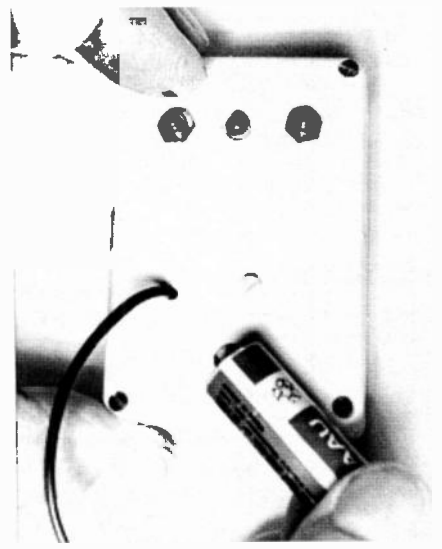
If the voltmeter method is used, hold its negative probe on the stud. Touch the positive one on the sliding contact connection of VR1 and adjust it so that the meter reads 1.28V.

Note that the front of the preset will probably have a metal ring and the plastic body will have a small cut-out at the top. The ring is connected to the centre (sliding contact) pin and the cut-out gives a convenient place on which to touch the meter probe.

Next, apply the positive probe to VR2 sliding contact in the same way and adjust it so that the meter reads 1.20V. These figures correspond to about one-half and one-quarter charge respectively.



Close-up of the negative lead terminating at the solder tag beneath the "negative" test stud mounted in the lid of the case.



In use the Checker probe lead is held on the positive connection and the negative end of the "test cell" is then placed on the test stud.

A BIT DIM

An alternative setting-up method involves discharging a cell in a controlled manner. The best way is to connect it to a 1.25V 250mA torch bulb in a suitable holder. Start with a fully-charged battery and measure the time taken for the bulb to go dim. For example, a standard (500mAh) "AA" cell would provide about two hours of service.

Now decide on the boundary times between *good/serviceable* and *serviceable/recharge*. It is suggested that up to half the total time be regarded as *good*, between half and three-quarters, *serviceable* and more than that, *recharge*.

Charge the cell again and discharge it through the bulb to the end of the *good* period. Connect it to the Checker – the green l.e.d. should be on. Adjust preset

VR1 so that the red l.e.d. just begins to operate giving a *yellow* effect. Now run the cell down until the *satisfactory* time has elapsed. Adjust preset VR2 until the green l.e.d. goes off leaving a red display.

With these adjustments now complete, re-attach the circuit panel using the stand-off insulator on the bolt shank. Assemble the two sections of the case and put the unit into service.

Note that this NiCad Checker circuit is not effective at indicating the state of a cell when it has just been taken off charge. It works best when the cell has stood for a while or has just been removed from a piece of equipment.

Experience will soon help the user to decide whether to press the Boost switch S1. For ordinary small cells this will probably not be necessary. □

SHOP TALK

with David Barrington

Dual-Output TENS Unit

A couple of devices for the *Dual-Output TENS Unit* have been found to be special and not generally available. The *n*-channel MOSFET transistor type ZVN4310A appears to be only available from **Electromail** (☎ 01536 204555), code 814-306.

For safety, the output capacitor C7 *MUST* be rated for at least 160V working or higher. The prototype used a polypropylene type (**Maplin** JY78K), but there are also polyester types with adequate voltage rating. The p.c.b. has pads to suit different lead spacing.

Two miniature 470µH chokes have been successfully tried for the inductor L1. These came from **Electromail** (228-539) and **Maplin** (AH36P). It is also likely that **Cirkit** (☎ 01992 448899) can supply one from their large range of inductors.

Other cases can be used here, but the p.c.b. has been specially designed to screw directly onto the internal mounting bosses. The case is the **Maplin** ZB16S, with battery compartment.

Two sources of commercial electrodes have been found: **Spembley Medical Ltd** (☎ 01264 365741) pack of four £8.53 inclusive; and **N.H. Eastwood** (☎ 0181 4419641) ring for prices.

The TENS printed circuit board is available, together with some information about TENS Units, from the **EPE PCB Service**, code 139 (see page 211).

Finally, we understand that **Magenta Electronics** (☎ 01283 565435) are putting together a complete kit of parts for this project – give them a ring for details.

Tri-Colour NiCad Checker

Key components for the *Tri-Colour NiCad Checker* are the 2.5V precision voltage reference type REF25Z and the LM358N dual op.amp. As far as the op.amp goes, this should be stocked by most of our

component advertisers and should not be a problem to find. The same situation should apply to the 5mm tri-colour l.e.d.

However, the 2.5V REF25Z voltage reference may not be so readily available through readers' usual channels and could be difficult to track down. The one in the model came from **Maplin**, code DB58N.

We are not quite sure of the general availability of the 3V lithium "button" cells, type CR2032, that make up the supply source. They are certainly listed by the above company as code ZB74R.

The small printed circuit board is available from the **EPE PCB Service**, code 138 (see page 211).

Oil Check Reminder

One or two items called for in the *Oil Check Reminder* project will have to be selected with care if they are to fit accurately on the circuit board. This applies particularly to the mains transformer.

The 6VA transformer, with two 500mA secondaries, came from **Maplin**, code YJ52G. Other similarly rated transformers can be used provided they will fit on the p.c.b.

A similar situation exists regarding the remotely mounted Reset switch. This can be any type, but it *MUST* be a "waterproof" type. The one used in the model is a "splashproof" pushswitch, with waterproof cap and bezel, and was purchased from **Maplin**, code RD20W.

The following components were all ordered from the above supplier (other advertisers may offer the same or similar parts): 10mm Super-bright l.e.d., code UK53H; 4N25 opto-isolator, code AY44X; 8Ω 38mm dia. speaker, code WB04E; µA2240CN timer/counter, code CP99H; and main case (D-009), code ZB02C.

The printed circuit board is available from the **EPE PCB Service**, code 125 (see page 211).

Video Negative Viewer

Apart from the possible requirement of a stepping ring and negative holder accessory, all the "electronic" parts needed to construct the *Video Negative Viewer* are standard "off-the-shelf" devices that most component advertisers should be able to supply. Detail of suppliers for the camcorder adaptors are contained at the end of the article.

The p.c.b. is available from the **EPE PCB Service**, code 135.

EVERYDAY

PRACTICAL ELECTRONICS

BACK ISSUES

We can supply back issues of *EPE* by post, many issues from the past five years are available. An index for each year is also available – see order form. Alternatively, indexes are published in the December issue for that year. Where we are unable to provide a back issue a photostat of any *one article* (or *one part* of a series) can be purchased for the same price.

DID YOU MISS THESE?

SEPT '95 Photostats Only (see below)

PROJECTS ● Simple Theremin ● Low Range Ohmmeter Adaptor ● Comprehensive Security System ● Vandata ● Hum-Free Battery Eliminator.
FEATURES ● Cave Radio ● Ingenuity Unlimited.

OCT '95

PROJECTS ● Ginormous VU Meter ● Sound Switch ● Audio Sinewave Generator ● Treble Booster ● Infra-Red Controller/Alarm ● Capacitor Check ● Experimenter's Bargraph Test Board.
FEATURES ● Circuit Surgery ● Security Tagging ● Using Bargraph Displays.
FREE ● Multi-Project PCB with this issue.

NOV '95 Photostats Only (see below)

PROJECTS ● Digital Delay Line ● Video Enhancer ● 50Hz Field Meter ● Temperature Warning Alarm ● Current Tracer ● Distortion Effects Unit.
FEATURES ● Teach-In '96 Part 1 ● Developments in Radio Broadcasting Technology ● Turnpike for Windows Review ● Ingenuity Unlimited.

DEC '95 Photostats Only (see below)

PROJECTS ● Light Operated Switch ● Stereo "Cordless" Headphones ● EPE Met Office - 1 ● Modular Alarm System ● Audio Meter and Amplifier.
FEATURES ● Teach-In '96 Part 2 ● Circuit Surgery ● Index for Volume 24.

JAN '96

PROJECTS ● Printer Sharer ● Mains Signalling Unit ● Automatic Camera Panning System ● Audio Signal Generator ● EPE Met Office - 2.
FEATURES ● Teach-In '96 Part 3 ● Ingenuity Unlimited ● European Consumer Electronics Show ● Techniques - Actually Doing It ● Maths Plus Review ● Decibels and dBm Scale.

FEB '96 Photostats Only (see below)

PROJECTS ● Simple PIC16C84 Programmer ● Mains Signalling Unit - 2 ● PIC Electric Meter - 1 ● Vari-Speed Dice ● Analogue Frequency Meter.
FEATURES ● Teach-In '96 Part 4 ● Circuit Surgery ● Making Your Own P.C.B.s ● Techniques - Actually Doing It.

MARCH '96

PROJECTS ● Mind Machine Mk III Part 1 ● High Current Stabilized Power Supply ● Multi-Purpose Mini Amplifier ● Infra-Zapper ● PIC-Electric Meter - 2.
FEATURES ● Teach-In '96 Part 5 ● Ingenuity Unlimited ● Flight PAL Trainer Review.
FREE ● Headphones (UK copies only).

APRIL '96

PROJECTS ● Dolby Pro-Logic Decoder (*Free* Booklet) ● Bat-Band Converter ● Event Counter ● Mind Machine Mk III Part 2 - Programmer ● Hearing Tester.
FEATURES ● Teach-In '96 Part 6 ● Circuit Surgery ● Thermionic Valves Part 1.

MAY '96

PROJECTS ● Midi Analyser ● Mind Machine Mk III Part 3 - Tape Controller ● Versatile PIR Detector Alarm ● Countdown Timer ● Bat Band Converter B.F.O.
FEATURES ● Teach-In '96 Part 7 ● Ingenuity Unlimited ● Thermionic Valves Part 2 - The C.R.T.

JUNE '96

PROJECTS ● Sarah's Light ● Ultra-Fast Frequency Generator and Counter Part 1 ● VU Display and Alarm ● Pulstar ● Home Telephone Link.
FEATURES ● Teach-In '96 Part 8 ● More Scope for Good Measurements Part 1 ● Circuit Surgery ● Miniscope Review.

JULY '96 Photostats Only (see below)

PROJECTS ● Advanced NiCad Chargers ● Single-Station Radio 4 Tuner ● Games Compendium ● Twin-Beam Infra-Red Alarm ● Ultra-Fast Frequency Generator and Counter - 2.
FEATURES ● Teach-In '96 Part 9 ● More Scope for Good Measurements Part 2 ● Circuit Surgery ● The Internet ● Ingenuity Unlimited.



AUG '96 Photostats Only (see below)

PROJECTS ● Component Analyser ● Garden Mole-Ester ● Mono "Cordless" Headphones ● Bike-Speedo ● Mobile Miser.
FEATURES ● Teach-In '96 Part 10 ● Circuit Surgery ● Ingenuity Unlimited ● Spies, Lies and Electronics ● EPT 3.0 Review.

SEPT '96

PROJECTS ● Analogue Delay and Flanger ● Simple Exposure Timer ● PIC-Tock Pendulum Clock ● Draught Detector ● Power Check.
FEATURES ● Circuit Surgery ● Ingenuity Unlimited ● Net Work - The Internet ● MAX038 Waveform Generator.

URGENT?
NEED AN ARTICLE TODAY? TRY OUR FAX ON DEMAND SERVICE
- see opposite for details

OCT '96

PROJECTS ● Video Fade-To-White ● Direct Conversion Topband and 80m Receiver ● Vehicle Alert ● 10MHz Function Generator.
FEATURES ● Introduction to Satellite Television ● Ingenuity Unlimited ● Circuit Surgery ● Net Work - The Internet.

NOV '96

PROJECTS ● D.C.-to-D.C. Converters ● Central Heating Controller ● EPE Elysian Theremin, Part 1 ● Tuneable Scratch Filter.
FEATURES ● Build Your Own Projects, Part 1 ● Ingenuity Unlimited ● Circuit Surgery ● Net Work ● Interface.

DEC '96

PROJECTS ● Vari-Colour Christmas Tree Lights ● PIC Digital/Analogue Tachometer ● Stereo Cassette Recorder ● EPE Elysian Theremin, Part 2.
FEATURES ● Build Your Own Projects, Part 2 ● Interface ● Circuit Surgery ● Ingenuity Unlimited ● Net Work - Internet News.

JAN '97

PROJECTS ● Earth Resistivity Meter, Part 1 ● Psycho Rat ● Theremin MIDI/CV Interface, Part 1 ● Mains-Failure Warning.
FEATURES ● Ingenuity Unlimited ● Build Your Own Projects, Part 3 ● Circuit Surgery ● Interface ● Net Work - Internet News ● PCS32 Storage 'Scope Interface Review.

FEB '97

PROJECTS ● Pacific Waves ● How To Use Intelligent L.C.D.s, Part 1 ● PsiCom Experimental Controller ● Earth Resistivity Meter, Part 2 ● Theremin MIDI/CV Interface, Part 2.
FEATURES ● Ingenuity Unlimited ● Build Your Own Projects, Part 4 ● Circuit Surgery ● Interface ● Net Work - Internet News.

BACK ISSUES ONLY £2.50 each inc. UK p&p.

Overseas prices £3.10 each surface mail, £4.10 each airmail.

We can also supply issues from earlier years: 1990 (except Jan., March and Dec.), 1991 (except May, June, Aug., Sept. and Nov.), 1992 (except April and Dec.), 1993 (except Jan., Feb., March, April and May), 1994 (except April, May, June and Nov.), 1995 (except Jan., May, June, Sept., Nov. and Dec.), 1996 (except Feb., July, Aug.).
Please note we are not able to supply copies (or 'stats of articles) of *Practical Electronics* prior to the merger of the two magazines in November 1992.

Where we do not have an issue a photostat of any *one article* or *one part* of a series can be provided at the same price.



ORDER FORM - BACK ISSUES - PHOTOSTATS - INDEXES

Send back issues dated

Send photostats of (article title and issue date)

Send copies of last five years indexes (£2.50 for five inc. p&p - Overseas £3.10 surface, £4.10 airmail)

Name

Address

I enclose cheque/PO./bank draft to the value of £.....

Please charge my Visa/Mastercard £.....

Card No. Card Expiry Date

Note: Minimum order for credit cards £5. Please supply name and address of cardholder if different from that shown above.

SEND TO: **Everyday Practical Electronics, Allen House, East Borough, Wimborne, Dorset BH21 1PF.**
Tel: 01202 881749. Fax: 01202 841692. (Due to the cost we cannot reply to overseas queries or orders by Fax.)
E-mail: editorial@epemag.wimborne.co.uk

Payments must be in £ sterling - cheque or bank draft drawn on a UK bank. Normally supplied within seven days of receipt of order.
Send a copy of this form, or order by letter if you do not wish to cut your issue.

M3/97

FAX ON DEMAND EVERYDAY PRACTICAL ELECTRONICS ON FAX

WHY WAIT?

We Give You The Fax!
Projects and Series
From Past Issues of *EPE*
AVAILABLE INSTANTLY!
24 HOURS A DAY!

HAVE you ever wanted to get hold of a past project or part of a Teach-In series fast? *EPE ON FAX* is a service aimed at providing you with the article you need, on-demand, seven days a week, 365 days a year, 24 hours a day.

All the projects and major series from the the April '95 issue onwards have been stored on computer and linked to a sophisticated selection system that uses the latest voice and Fax technology. You can select the article you require from a menu and have it downloaded to any UK Fax machine on demand.

The service will be constantly updated with new material as each issue is published, thus providing a live, instantly available, resource.

HOW TO USE *EPE ON FAX*

- From your tone telephone or Fax machine call 0897 124 125, making sure that your handset is switched to "tone". You will then hear a series of messages, which will help to guide you through the system.
- For one of the available indexes, which contain the document numbers and the number of pages of each article, press "1" when prompted.
- To obtain a particular document, press "2" when prompted and, when requested, enter the document number you want from the keypad on your phone or Fax machine. The system will then confirm your selection.
- When you have selected the document that you require, you will then be prompted to enter the phone number of the Fax machine you want the article sent to, including the dialing code, finishing with the # key; the system will then confirm the phone number. Ring off when prompted and the Fax will automatically be sent to the given number.

HOW MUCH WILL IT COST?

EPE ON FAX service is a higher rate premium line phone service. Calls cost £1.50 a minute. First time use should cost no more than £3 per index or article. Subsequent use should only be £1.50 per article.

NOTE: Articles over six pages long are split in two, requiring two calls.

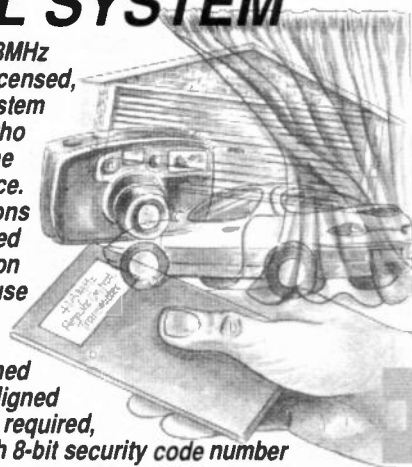
FURTHER INFORMATION

If you would like further information about how this project was put together, ring Starcomm Limited on (0113) 294 0600.

TRY IT NOW!
CALL 0897 124 125

FREE GREENWELD '97 CATALOGUE NEXT MONTH 418MHz REMOTE CONTROL SYSTEM

Transmissions on the 418MHz Band do not need to be licensed, so this remote control system can be used by anyone who has the need to control the world from a simple source. There are many applications for this easy-to-build coded transmission and reception system, though its main use is probably radio-linked control and monitoring of intruder alarms. Designed around commercial pre-aligned modules, no setting-up is required, except for selecting which 8-bit security code number you want to use.



PIC-AGORAS

Who do think of when geometry-angles, dangles, triangles, diameters and circumferences – is mentioned? Pythagoras, probably. What chip do you think of when microcontrollers – data inputting, data calculating, data outputting – are mentioned? PICs, probably. Combine the two thoughts and what do you get? PIC-agoras, of course!

So what does a PIC-agoras do? Quite naturally, it monitors the angular rotations of wheels, almost any conceivable wheel (as long as it's round), calculates the circumferential distance travelled over periods of time, and shows the results alphanumerically on a 16-character intelligent liquid crystal display screen – of course!

And how do you use a PIC-agoras? Well, the author mounted his on his push-bike, and now pedals off in the satisfying knowledge that he can keep track of the miles and kilometres travelled, the time taken to cover them, the average speed that he's done them, and so on; AND PIC-agoras has a non-volatile memory that doesn't get lost on switch-off (unlike the author's), so it remembers various totals for the next time.

But, PIC-agoras can be used on other vehicles as well, irrespective of wheel-size (within reason!): golf carts, shopping trolleys, penny-farthings, indeed probably most wheelies that can travel at up to about 100 m.p.h.! Enough of the teaser intro – read all about PIC-agoras next month

MIDI MATRIX

If you've got a MIDI set-up, we'll lay odds that you're probably fed up with messing around constantly changing and re-changing all those cables that connect up the variety of instruments in the system. Breathe a sigh of relief, now it's MIDI Matrix to the rescue!

Using the 'telephone exchange' principle, MIDI Matrix allows lots of signals to come in but uses few switches to select their output routing. Any electronic musician, amateur or professional, can reap benefits from this superbly designed tool.

EVERYDAY

PRACTICAL

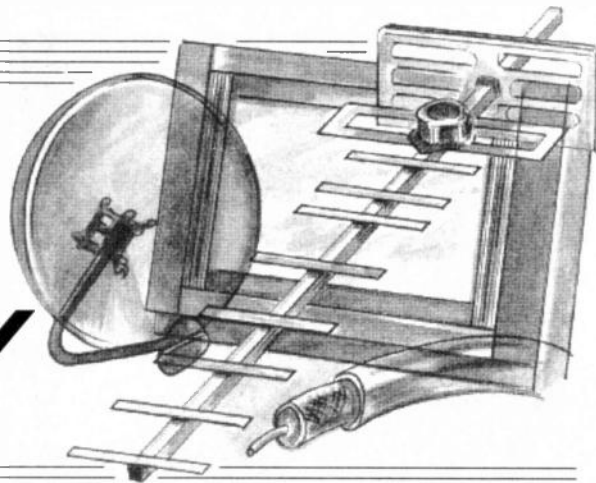
ELECTRONICS

DON'T MISS THIS ISSUE

**APRIL ISSUE ON SALE
FRIDAY, MARCH 7**

DIGITAL TV - THE REALITY

BARRY FOX



Power, politics and market forces are controlling Digital TV's future as much as the technicalities.

EVERYONE is talking about digital TV, and warning that Rupert Murdoch is poised to become the technology gatekeeper for the new age. Often the media reports are long on opinion and short on technical fact. So we look at the underlying questions. What is digital TV, why do we need it, do we want it, when will we get it and who can call the shots?

Digital transmission technology already exists and is used by broadcasters to relay their programmes between studios and transmitters. Digital signals are more robust and take up less space in the airwaves than their analogue equivalents. The electronics industry is now working to drive down the cost so that viewers can have their own digital receivers.

The target for the UK is a launch in late 1997, or more likely some time in 1998, with services arriving from satellites in space and from the same terrestrial transmitters that currently deliver analogue TV. The first receivers will be set-top decoder boxes that plug into an existing TV set. But unless subsidised they will cost at least £500.

On top of that, viewers will have to pay to view most programmes. Also, to get the full benefits from digital TV, viewers will have to invest in a new TV set, with large 16:9 widescreen CRT (cathode ray tube) and built-in decoder. This pushes the startup cost up towards £2000.

AERIAL CONVERSION

Although it is not yet widely recognised, satellite viewers will need to modify or replace their dish aerials to receive the new signals.

So there will be no overnight conversion to digital TV. The broadcasters will have to find ways of enticing viewers, with subsidies, special offers and irresistible programmes. If anyone yet has any clear game plans they are not letting on.

The more honest broadcasters and manufacturers admit they do not yet have a clue what they are going to do to make us spend whatever it costs to convert from analogue to digital TV. Rupert Murdoch's BSkyB has consistently ducked the issue of who will pay for the labour-intensive job of modifying the four million or more dish aerials currently in analogue use.

PROMOTING DIGITAL

Britain is not alone in promoting the digital transition. The US already has a direct-to-home digital satellite TV service. Aerospace giant Hughes launched DirecTV two years ago, as part of a push to replace income previously earned from the military. The US government is now close to setting a standard for digital terrestrial TV, but commercialisation has been bogged down because the national plan was to use digital technology to carry high definition TV (HDTV) programmes, not a wider choice of conventional quality TV. Few viewers want high definition pictures and even fewer will pay the high price of the new screens needed to do them justice. The Federal Communications Commission is now rethinking its strategy.

Japan is handicapped because state broadcaster NHK made an early pioneering commitment to Hi Vision, an analogue HDTV

system. The Japanese government dares not repay viewers' support for Hi Vision by telling them that their receivers are now obsolete. So digital TV is coming to Japan from commercial satellite services.

On the mainland of Europe, there is a bewildering tangle of alliances and competition between French pay-TV service Canal+, German media giants Bertelsmann and Kirch, and BSkyB. The situation changes almost daily, from country to country.

The most vigorous and coordinated digital push is coming from the UK, thanks to a race which is developing between satellite and terrestrial broadcasters. It is not yet clear whether the race will become a commercial battle or an uneasy commercial alliance. But pieces of the jigsaw are now starting to fall into place.

Rupert Murdoch's News International empire won control of key digital transmission technology when he bought the digital research laboratories and patent folio which were originally state-owned by the Independent Broadcasting Authority, then privatised as NTL and now renamed Digi-Media Vision (DMV).

Murdoch's BSkyB satellite service has run out of analogue space on the transmitters which it currently leases from Luxembourg company Astra. So BSkyB has leased 14 transmitters on the new, second, series of satellites which Astra will start launching in August 1997. These 14 transmitters will carry several hundred digital TV programme channels. BSkyB has let its investors know – or encouraged them to believe – that transmissions will begin soon after the satellite is operational in Autumn 1997.

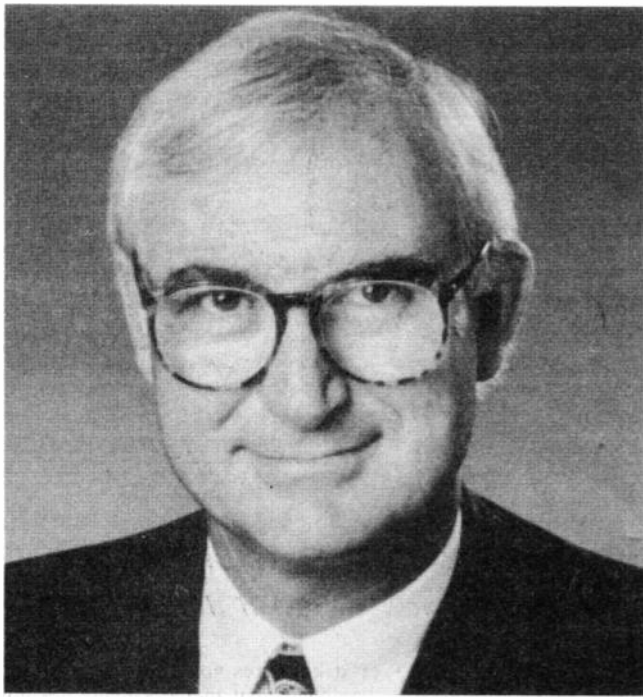
BBC'S ROLE

The British government has now awarded the BBC a new ten year charter as state broadcaster. This guarantees the BBC an annual income of £1.8bn from viewers' licence fees. Immediately the charter was secure, Director General John Birt announced his plans for the Digital Dividend. The BBC wanted to start digital TV broadcasting in late 1997.

Although the BBC needs no special licence to start a digital service, its commercial rivals do. So the Independent Television Commission has now opened the bidding for licences to be granted in 1997 for services to begin no later than July 1998.

John Birt predicts that the next ten years will see the BBC sending programmes into homes by whatever means is appropriate; digital satellite, terrestrial, cable and telephone wires. This opens the door to interactivity, with viewers sending digital commands back to the broadcaster by telephone line or cable link. Astra has now announced that within two years its new satellites will have the facility to receive control signals beamed back by the viewer from a home dish. Interaction lets viewers vote in a quiz or referendum, gamble on a games show or select from a choice of programmes.

The BBC's push on digital broadcasting parallels the situation in 1936 when the young Corporation made the UK a world leader with the inauguration of a highly ambitious all-electronic TV service from Alexandra Palace in North London. The BBC



"Either we make the digital transition or we just let our beards grow and do nothing", comments John Birt, Director General of the BBC.

worked with Marconi-EMI to deliver 405 line pictures, which were then regarded as "high definition" in comparison with the much coarser images delivered by John Logie Baird's neo-mechanical technology.

Says John Birt: "Either we make the digital transition or we just let our beards grow and do nothing. That's not a sustainable option".

The analogue option is not sustainable because analogue technology is very inefficient at delivering TV programmes. Each station needs around 8MHz of frequency space. Two terrestrial transmitters cannot use the same frequency within several hundred kilometres of each other because even weak signals from one will interfere with strong signals from the other, causing "herringbone" patterns on the screen. So the frequency bands allocated for analogue terrestrial broadcasting can support only a few TV programmes in each country.

A satellite can transmit more programmes, but its transmitters cover a wide geographical area. So the satellite usually delivers a handful of channels in different languages to several adjacent countries.

Converting a transmission system from analogue to digital, multiplies the number of programme channels it can deliver by a factor of up to ten. The exact number varies with the system, and the wishes of the operator. Satellite channels are wider than terrestrial; in each case the bitstream can be used to carry a few programmes with higher picture quality or a lot of programmes which either match the picture quality of today's analogue programmes, or make compromises, for instance on news footage.

EXISTING AERIALS

The ITC's strategy is to license digital frequencies which viewers can receive with existing TV aerials. In many homes, set-top wire aerials will work as well as a rooftop array. So, as long as they are content with 4:3 pictures, viewers will only need a set-top box which converts the new digital transmissions into analogue signals which a conventional TV set can display.

The UK government has told the ITC to licence six multiplexes (each 8MHz wide) and capable of carrying between three and eight programmes depending on picture quality. The BBC, ITV, Channel 4, C5 and Welsh C4 will take space equivalent to two multiplexes. The other four, with capacity for up to 30 programmes, will be awarded to commercial bidders.

The digital multiplexes will slot into today's "taboo" channels, the UHF frequencies which are spare in an area but cannot be used for analogue broadcasting because the signals may interfere with programmes in other areas. Digital TV needs only one hundredth the transmission power of analogue TV, so digits in taboos cause no interference to existing services.

SIMULCASTING

The BBC has promised to "simulcast" its existing analogue programmes, "free to air". So, for no extra fee, viewers with new equipment will be able to watch BBC1 and BBC2 digitally in high quality 16:9 widescreen aspect ratio, while viewers with analogue sets continue to see conventional 4:3 aspect ratio pictures. In practice, the BBC will use a widescreen aspect ratio of 14:9, so that by slightly trimming the picture sides, 4:3 sets will show only a slight letterboxing effect.

In addition to simulcasting, the BBC and the commercial stations will broadcast digital bouquets of new programmes, available only with new receivers and on payment of subscription fees.

NTL, the privatised company which currently provides the transmitters for Britain's analogue commercial stations, is hoping soon to buy the BBC's transmitter network and win multiplex licences. NTL recently used a spare channel on London's TV transmitters to demonstrate what Jeremy Thorp, the company's director for digital and interactive services, claims is "the first fully operational end-to-end digital terrestrial system".

GATEKEEPER THREAT

NTL took the opportunity to warn that BSkyB may launch a satellite service which uses proprietary encryption technology developed by DMV, the company which Rupert Murdoch bought last year from NTL. If BSkyB's set-top box only works with satellite signals, viewers will not want to buy a second box for terrestrial viewing. If terrestrial broadcasters have to ask BSkyB for a licence to make a dual-purpose box, Rupert Murdoch becomes a digital "gatekeeper", effectively controlling the BBC.

The gatekeeper issues arise despite the fact that there is an agreed and open standard for digital TV in Europe. This standard emerged at lightning speed. The impetus came from the failure of an analogue project and the lessons learned from the mistakes made.

In the '80s manufacturers and broadcasters got together under an official European research project, *Eureka 95*, to develop native European high definition TV technology. HD-MAC (High Definition Multiplexed Analogue Components) was a hybrid system; the transmitted pictures were analogue but they travelled with digitally coded "helper" signals which a suitable TV set could use to make the images much wider and clearer than for conventional TV. MAC was heavily patented to try and protect the European electronics industry from low cost competition from the Far East.

The European Commission in Brussels tried to force European satellite and cable broadcasters to use MAC, but they rebelled and used conventional PAL instead. Even the major European manufactures, Philips of the Netherlands, Thomson of France and Nokia of Finland hedged their bets by secretly developing digital TV systems. So the Far Eastern manufacturers had no interest in making MAC sets anyway.



NTL hope to buy the BBC's transmitter network to provide, according to their Director Jeremy Thorp, "the first fully operational end-to-end digital terrestrial system."

SENSIBLE STANDARDS

In September 1993, with MAC dead, the manufacturers and broadcasters got together again and created the voluntary Digital Video Broadcasting group. Their object was to set standards for a system driven by commercial market need, not political whimsy. The DVB group was fiercely independent. It got no EC funding, and its members quickly voted to reject a grant which Brussels offered. The DVB group agrees standards which it passes to ETSI, the European Telecommunications Standards Institute, for rubber-stamping.

There are three main standards, for cable, satellite and terrestrial broadcasting. All are based on MPEG2 coding, the digital compression standard set by the Motion Picture Experts Group of the IEC, International Electrotechnical Commission and ISO, International Standards Organisation. The prime differences are in the way the compressed signal is packaged for transmission.

The satellite and cable systems build on the techniques used to send the digital pulses which convey electronic mail by ordinary analogue telephone line. The shape of an analogue wave is rapidly switched to convey a rapid series of pulses. This quite simple system only works if the waves can travel freely, without interference or distortion. TV cables act like an electronic pipe which shields the signals from ill effects. Satellite signals arrive at a dish aerial direct from space, in a narrow, unobstructed beam, that behaves like a pipe.

Terrestrial TV signals have a much more difficult journey from the broadcaster's transmitter to the viewer's aerial. They are blocked by buildings and hills and reflect off them so that the same signal arrives several times over at the receiver, with varying delays. On an analogue TV set this causes snow and ghost images spread across the screen. On a digital system the echoes so confuse the decoder that it stops working altogether, and the set displays no pictures at all.

COFDM SOLUTION

The solution is to use a system called COFDM (Coded Orthogonal Frequency Division Multiplex), previously developed for digital radio. Instead of transmitting one wide radio channel, the broadcaster puts out several thousand narrow channels, packed tightly together like the teeth of a comb. The digital code is split into a similar number of streams and one stream sent on each channel. So each channel carries fewer bits of code each second, and the bits in each channel are widely spaced apart in time. Unwanted reflections arrive in the wide gaps and the receiver rejects them.

The BBC believed that 8000 channels would be needed to make digital terrestrial signals robust in cities and valleys. Electronics companies argued that 2000 channels would be enough and that the microchips needed for "8k" reception would be as complex as a Pentium computer, cost far too much and not be ready until the year 2000. NTL argued that 8k transmission was "doomed to failure".

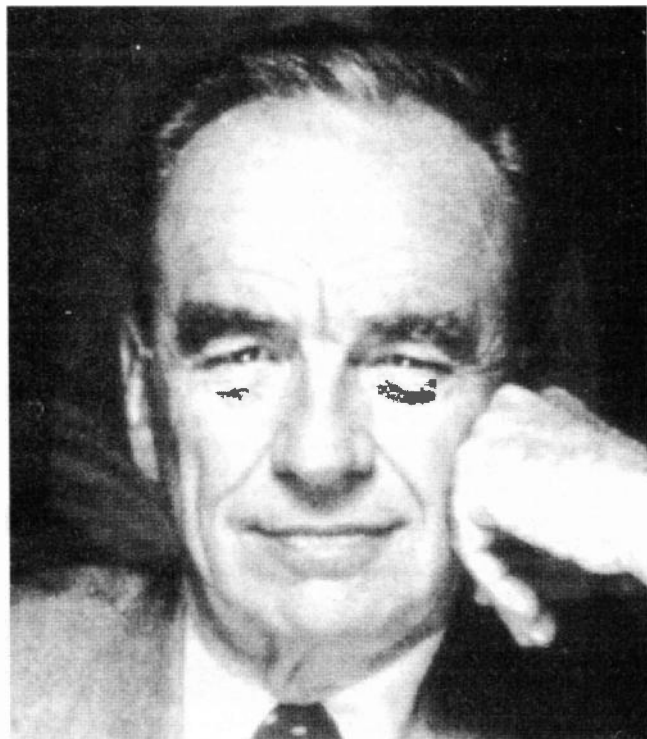
The DVB group finally compromised by leaving the choice up to individual countries. To avoid delays to its service launch plans, the BBC has agreed to use a 2k system. Some other countries, such as Spain and Sweden, may delay their service launch plans until 8k chips are a cost-effective option.

The UK's decision is far-reaching. Although 8k chips will be able to receive 2k transmissions, 2k receivers will never be able to pick up 8k transmissions. So once the UK starts digital broadcasting with a 2k system, the die is cast and there will be no turning back. The BBC, however, now seems confident that it can make 2k work.

The DVB group also set a standard for encrypting or scrambling the MPEG2 signal, so that programmes can only be seen by viewers who have paid to view. But there was no agreed standard for a "conditional access" system which accepts the payments made and instructs the receiver to unscramble the signals. No-one wanted any one company to become the gatekeeper for conditional access technology because it would give them too much power and revenue.

Instead, the DVB group recommended a "common interface" which will work like a plug and socket on the receiver to connect the DVB standard unscrambler with a module which contains whatever non-standard electronics are needed for the access system chosen by the broadcaster.

In practice, the module will probably be a second generation "fat" smart card which plugs into a slot in the receiver. A receiver with several slots can be used to unscramble a wide range



If BSkyB wins a "critical mass" of digital satellite viewers, Rupert Murdoch would become the "Digital Gatekeeper", effectively controlling the BBC.

of programmes broadcast with completely different conditional access requirements. If an encryption system is compromised by piracy, the broadcaster can simply provide all subscribers with new modules which incorporate new codes.

CRITICAL MASS

The fear that Rupert Murdoch becomes the digital gatekeeper flows from this scenario. If BSkyB starts its digital satellite service ahead of the terrestrials, and wins a critical mass of viewers, the company can use a proprietary conditional access system and make it a *de facto* standard for all digital broadcasting – just as Sky has made VideoCrypt the *de facto* standard for analogue encryption and access.

But this only happens if BSkyB does get in first and here things are not quite as they seem, or as BSkyB's publicity machine would like them to seem. In reality, BSkyB faces significant technical and commercial problems.

All existing dishes in the UK are sighted on Astra's analogue satellites at 19 degrees East. The dishes each have an electronic system, called a low noise block (LNB), which is tuned to receive the relatively low frequencies used by analogue satellites and convert them to an even lower frequency which can survive the cable run to the TV set.

Despite Astra's recommendations, only a few dish makers and aerial installers yet fit the Universal LNBs needed to receive the higher frequencies used for digital TV. This is not surprising. Universal LNBs are more expensive and the public expects to get a satellite system for under £50, or now even for free, in return for paying BSkyB a subscription to view.

Also, Astra's new digital satellite will be at 28 degrees East, not 19 East. So if viewers want to pay to receive the new digital programmes they will first have to pay an engineer to re-sight their dish, and fit a new LNB at the same time. This is in addition to paying several hundred pounds for the set-top box needed to decode any digital TV service.

BSkyB will not say how it hopes to persuade viewers to pay up. "It's all speculation at the moment", says a spokeswoman.

This is why it is so significant that the ITC is licensing frequencies for digital terrestrial transmission which will allow viewers to use existing, or even set-top, aerials.

DUAL PURPOSE DECODERS

Consumers certainly will not want two boxes, one for satellite and one for terrestrial reception. The difficulty and cost of changing satellite viewers' dish aerials makes it impractical, and probably impossible, for BSkyB to win its critical mass ahead of

the terrestrial launch. So the market screams for a dual-purpose set-top box which uses standard MPEG decoder chips along with front ends for either satellite or terrestrial reception.

Because of the high price of even 2k COFDM circuitry, it costs only an extra £5 to make a terrestrial receiver receive satellite programmes, but it costs an extra £50 to make a satellite box receive terrestrial programmes. Leading manufacturer Pace puts the real (unsubsidised) selling price of a dual standard box at between £500 and £600 at the end of 1997 or early 1998, falling to £150 or £200 by the year 2000.

In practice, consumers look most likely to buy into digital TV if the terrestrial and satellite broadcasters cooperate rather than compete.

In mid June 1996 John Birt called on the UK government to compel manufacturers to sell only equipment which will receive both terrestrial and satellite broadcasts. The government's DTI, along with OfTel, the UK's telecommunications watchdog, have pledged to prevent any one broadcaster obstructing the manufacture of dual standard boxes. Whatever conditional access technology becomes the *de facto* standard, it must be available for licence, to all manufacturers, at reasonable rates. OfTel has now published a consultation document on this.

There is another good reason why a dual standard box and policy of cooperation makes sense. The British broadcasters cover 90 per cent of the population with 50 main analogue transmitters. Another 1000 are needed to serve the remaining 10 per cent. Of these, 500 are very small stations which transmit to just 2 per cent of the population.

This leads logically to a digital TV launch which sees the digital terrestrial broadcasters simulcasting by satellite, with viewers in the more densely populated areas using a dual standard box for terrestrial reception, and those in more remote areas using the same boxes to pull in the same programmes direct from satellite. Nine out of ten homes will be able to install or modify

dishes to receive a wider choice of digital TV from satellite as well as from terrestrial transmitters.

TACTICAL ALLIANCE

But this scenario leads logically to an alliance of necessity between Rupert Murdoch, News International, John Birt and the BBC.

The alternative is a straight fight between the BBC and BSkyB, with the terrestrial broadcaster offering less programme choice but the obvious convenience of using existing or set-top aerials. In such a fight, BSkyB would be forced to subsidise the mass modification of aerials, at a cost to its shareholders of many hundreds of millions of pounds.

As 1997 rolls by we shall get a better idea of whether the terrestrials will work together or try and fight it out. Only one thing is certain. With an election looming, the British government will remain at arm's length and do nothing to obstruct BSkyB and risk the wrath of the Murdoch press.

NEWS FLASH

The BBC has been characteristically cagey about its DTTV launch schedule. But a letter written to employees by John Birt now reveals the BBC's plans. Says John Birt, after welcoming the government's decision to increase licence fees, "We are now in a confident position to launch our new digital services in October".

This is earlier than expected and only a couple of months after the launch promised by BSkyB.

DIGITAL TV AND MPEG2

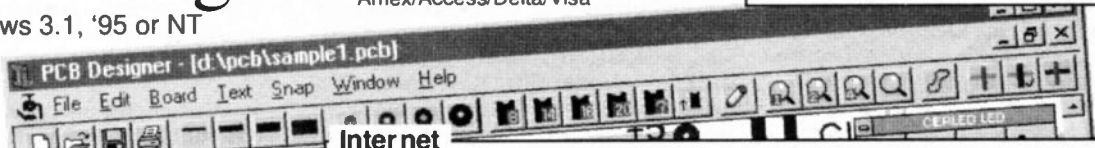
Next month, in a separate feature, Mike Rutherford unravels the technicalities of digital TV and the digital compression standard MPEG2 which has been internationally adopted for cable, satellite and terrestrial broadcasting. □

PCB Designer

For Windows 3.1, '95 or NT



Runs on any PC running Windows 3.1, Windows 95 or Windows NT with a minimum 2MB RAM
Will work with any Windows supported printer and monitor



Internet

Visit our WWW site at www.niche.co.uk for more information and a working demo. The demo is also available via anonymous FTP from [ftp.demon.co.uk](ftp://ftp.demon.co.uk) in the dir /pub/ibmpc/win3/apps/pcbdemo/ as [pcbdemo.zip](#). Internet e-mail pcb@niche.demon.co.uk.

Looking for the price?

It's just **£49.00** all inclusive!

...no VAT...no postage...
...no additional charges for overseas orders.

Dealers and distributors wanted.

- ✓ Produce Single or Double sided PCBs.
- ✓ Print out to *any* Windows supported printer.
- ✓ Toolbar for rapid access to commonly used components.
- ✓ Helpful prompts on screen as you work.
- ✓ Pad, track & IC sizes fully customisable.
- ✓ No charges for technical support.
- ✓ Snap-to grid sizes 0.1", 0.05" 0.025" and unrestricted.
- ✓ SMT pads and other pad shapes.
- ✓ Prints at the resolution of your printer, much higher than the screen shot shown here.

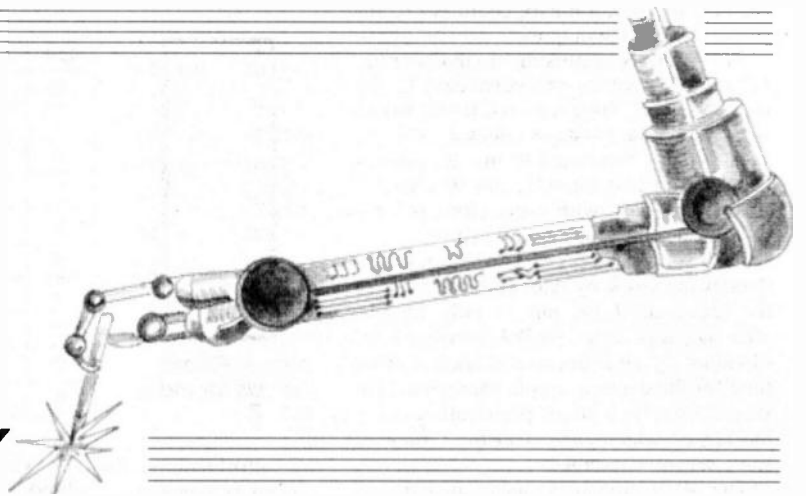
Niche Software (UK)

12 Short Hedges Close, Northleach, Cheltenham, GL54 3PD Phone (01432) 355 414

Available in South Africa from JANCA Enterprises, PO Box 32131, 9317 Fichardtspark at R299,00

CIRCUIT SURGERY

ALAN WINSTANLEY



A selection of readers' letters and queries this month deals with a puzzling Darlington pinout, binary and decade counters, and environmental issues concerning NiCad batteries.

MUCH of the *Surgery's* work never makes it to print in this column, but a lot of background support is given to readers during the month, both by mail and E-mail. For example, sometimes I'm asked to help identify a particular chip or other semiconductor device, and I have been known to scan and send pinouts of elusive chips by E-mail – not something I can always guarantee to do but, time permitting, I try to help readers to fathom out any puzzling pinouts when possible.

Dubious Darlingtonons

Mr David Jones of Llanelli, Wales posed a problem which had me rustling through my Data Library for quite some time! David writes:

I was recently given some very "meaty" transistors, type ESM 6045DV. They're listed as npn Darlingtonons but I cannot find out why, as a normal bipolar transistor, they should have two base terminals!

None of the terminals correspond to the resistance measurements that I would expect from a normal npn transistor. Maybe you could point me in the right direction?

Well, this device took quite some tracking down, but eventually this information was found in the SGS Thomson

Microelectronics Data Book. They describe it as a bipolar power module in an "isotop" casing.

Its specification is pretty scary – a collector current (I_c) of 84 amps and a total power dissipation (P_{tot}) of 250 watts! The pinout drawing is shown in Fig. 1. It appears to have two base terminals, all right, but why?

All connections are made via screw terminals, and the base/emitter terminals of both internal transistors are brought out to their own pins. As things stand, you could ignore pin 4 if you wanted to, but it's not uncommon to add a small resistor (R) as shown. Sometimes this is already built into the Darlington and may be shown in manufacturer's Data Sheets.

The resistor speeds up the turn-off time, and prevents any leakage current which will flow through TR1, from driving TR2 and sending it into conduction. Instead, the resistor shunts this leakage current away and is selected such that the current leaked through TR1 produces a voltage drop of only a few hundred millivolts across resistor R : not enough to turn on TR2. It would have a value in the region of under one kilohm, say. In the case of the ESM 6045DV you can access the individual transistors within the Darlington, via the extra pin provided by the manufacturer.

Counter Intelligence

By E-mail came the following query from Simon N. Atkin who asks:

I just need a little help choosing a CMOS ripple counter. I'm wanting an output whereby each bit goes high in sequence, one after the other.

The counters type 4060 or 4020 could be suitable, I think, but not having used ripple counters for a long time, I'd appreciate any help.

The CMOS counters which you mention are actually *binary* counters, what you appear to need is a *decimal* counter. What's the difference? Whilst it's true that most logic devices are either *on* or *off* (Logic 1 or Logic 0), and are therefore working in *binary* in this respect, you need to check the *output sequence* to determine whether you actually want a true binary counter or a decimal (or decade) counter. Hence

Table 1.
A 4-bit binary sequence, counting from decimal 0 to 9.

8	4	2	1	
Q4	Q3	Q2	Q1	Decimal
0	0	0	0	0
0	0	0	1	1
0	0	1	0	2
0	0	1	1	3
0	1	0	0	4
0	1	0	1	5
0	1	1	0	6
0	1	1	1	7
1	0	0	0	8
1	0	0	1	9

we dip our toes into *sequential logic*, because the logic operation depends on what happened earlier in the sequence.

A binary counting sequence is shown in Table 1 – and because I've only drawn the first four binary digits (bits) labelled Q1 to Q4, this is a *4-bit binary counter*. The decimal equivalent of the binary count is shown alongside. The full 4-bit binary count, of course, actually runs from decimal 0 to 15. (Incidentally you might see the stages labelled as Q0 to Q3, sometimes.)

Pinouts for both the 4020 and 4060 ripple counters are shown in Fig. 2. The output pins change state in a binary sequence with each successive clock pulse received. Because one bit is used to clock

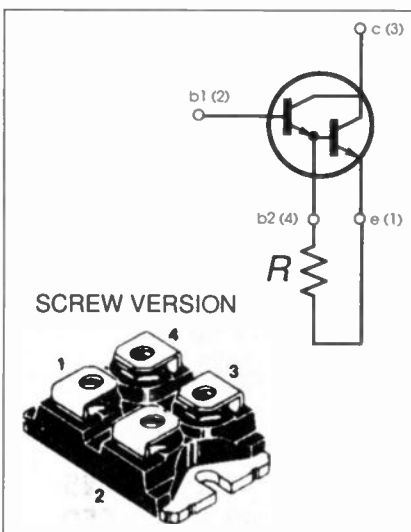


Fig. 1. Darlington transistor circuit symbol, plus "isotop" transistor graphic.

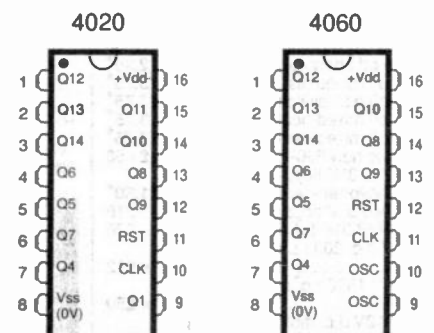


Fig. 2. Pinout details for the 4020 and 4060 counters.

the next register, a binary count is seen to ripple through the outputs.

The 4020 is confusing in that neither Q2 nor Q3 outputs are connected to the outside world! None-the-less, it still works internally as a 14-stage counter, with 12 of the stages connected to the i.c. pins as shown. The first bit (Q1, pin 9) changes state (or toggles) with every clock pulse – so it divides the clock signal by two.

Each successive register in the chip also divides the clock by two, so the last bit in the sequence (Q14, pin 3) only toggles after no less than 16,384 clock cycles (dividing by 2^{14}). Because it takes a finite time for the count to ripple through all the stages, there is a slight propagation delay introduced which can affect the timing of some sensitive circuits.

The 4020 obviously needs an external clock pulse connected to pin 10, to advance the 14-bit count sequence. The 4060 (and the faster 74HC4060) is also a 14-stage binary ripple counter, but it includes an internal clock oscillator which only needs an external RC (resistor-capacitor) network to operate. This time, the Q1, Q2, Q3 and Q11 outputs are not brought out to the pins. Otherwise, the counter ripples through the 14 internal registers as before.

What I think you actually want is a decade counter. This produces an output sequence as shown in Table 2. The 4017 (or 74HC4017) would be suitable. Looking at the internal circuit diagram for the chip, the 4017 is a five-stage counter, and each stage has complementary outputs which are decoded to produce a decimal count which is strobed across the output pins with each successive clock pulse. The 4017 pinout is shown in Fig. 3.

Heavy Metal (Batteries)

An interesting comment from Mr Alan Bradley of Belfast concerns the disposal of spent batteries. Alan comments:

As Nickel Cadmium rechargeable cells contain cadmium – a Class 1 poisonous heavy metal – and no-one seems to want to recycle them or provide safe disposal facilities, I thought EPE should perhaps only allow projects which use Nickel Hydride or gel lead acid cells. Also, if a proper method of disposal exists, I'd appreciate any information.

4017

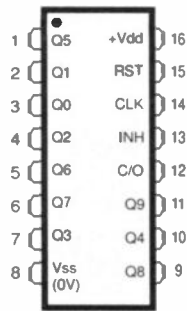


Fig. 3. Pinout details for the 4017.

Table 2. A decimal counting sequence.

Q9	Q8	Q7	Q6	Q5	Q4	Q3	Q2	Q1	Q0
0	0	0	0	0	0	0	0	0	1
0	0	0	0	0	0	0	0	1	0
0	0	0	0	0	0	0	1	0	0
0	0	0	0	0	0	1	0	0	0
0	0	0	0	0	1	0	0	0	0
0	0	0	0	1	0	0	0	0	0
0	0	0	1	0	0	0	0	0	0
0	0	1	0	0	0	0	0	0	0
0	1	0	0	0	0	0	0	0	0
1	0	0	0	0	0	0	0	0	0

Unfortunately, the UK waste disposal scene is some way behind that of, say, Holland or Scandinavia where there are far more extensive waste disposal/recycling facilities. The crux is that NiCad cells are cheap and readily available. Nickel-Metal Hydride (NiMH) cells are considerably more expensive and to many, an unfamiliar technology. They're appearing in laptop computers and mobile phones, more for performance reasons (higher capacity and lack of memory effect) rather than environmental ones, I think.

Until NiMH ranges develop and their prices drop, the guess is that NiCad consumption will continue unabated in the UK and elsewhere, and it's probably unrealistic to expect otherwise. We would feel more comfortable if there was indeed a safe, convenient and reliable way to recycle them after use.

Some local authority waste disposal sites do actually accept batteries, although the facility seems to be intended mainly for car batteries – note that a large proportion of lead which is in use in the UK has been recycled by the scrap metal industry from spent car batteries. At least some battery manufacturers have started on the right road by selling mercury-free cells.

In future years, you will increasingly see a peculiar wheelie-bin symbol, as depicted in Fig.4, appearing on the packaging of batteries and other products which pose a potential waste-disposal hazard. It's called the KCA logo – the German Small

Chemical Waste symbol, and is currently the bane of my life in industry.

Spot it on car batteries (my Audi-supplied battery is labelled with one), fluorescent tubes (because of the phosphors), nail varnish and adhesives (because of the volatile solvents), too! This symbol is currently meaningless in the UK, but is statutory in Holland, and my spies in Brussels tell me that it's heading our way.

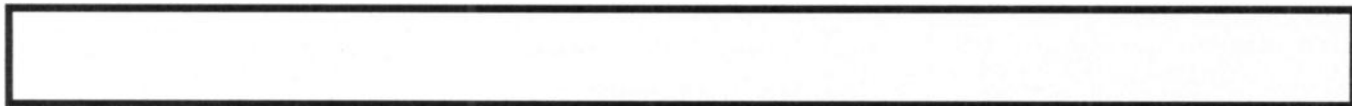


Fig. 4. The KCA "wheelie-bin" waste hazard logo, with caution in Dutch.

It indicates that such products should receive special recycling attention as chemically-active scrap, and not simply be thrown in the household dustbin: once again, the UK lags far behind. You have made a good point, Mr Bradley, and I would welcome readers' comments.

If you have any queries or comments to make, please write to Alan Winstanley, Circuit Surgery, Wimborne Publishing Ltd., Allen House, East Borough, Wimborne, Dorset, BH21 1PF. E-mail alan@epemag.demon.co.uk. We try to help where possible but a personal answer cannot always be guaranteed.

In coming months: look forward to the low-down on choosing resistor types; also, piezo sounders and alarm generators, and more!



3lb mixed component pack.....	£4.95
Jumbo component pack.....	£10
250 off mixed capacitors.....	£4.95
250 off i.c. sockets.....	£3.95
1000 off mixed ceramic caps.....	£7.50
20 off mixed crystals/filters.....	£4.95
25 off mixed relays.....	£3.50
100 off phono plugs.....	£2.95*
10 off mixed displays.....	£3.75*
50 off d.i.l. switches.....	£3.75*
30 off mixed heatsinks.....	£3.75*
30 off mixed switches.....	£3.75*
Brand new 360K 5 1/4" floppy drive...	£4.50
5 1/4" to 3 1/2" floppy drive converter leads.....	£1.50*
1-2MB 5 1/4" floppy drive.....	£10
200MB 3 1/2" E.S.D.I. hard drive.....	£28
12V d.c. 200 r.p.m. geared motor.....	£1.50 each, 10 for £12
220V 1500 r.p.m. geared motor.....	£6 each, 10 for £50
7V-12V d.c. motor, 4/6000 r.p.m. 700mA-1450mA.....	£4 each, 10 for £30
12V d.c. motor, 13,000 r.p.m. 180mA.....	£1 each, 10 for £8

6V d.c. motor, 1,200 r.p.m. 600mA.....	£1 each, 10 for £8
9V d.c. motor, 13,000 r.p.m. 460mA.....	£1 each, 10 for £8
10-5V d.c. motor, 9,000 r.p.m., 220mA.....	£1 each, 10 for £8
S.M. P.S.U., mains input, +5-2V 6A, +24V 0-5A, +24V 5-5A outputs.....	£6 each

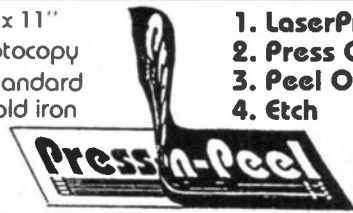
QUANTITY DISCOUNTS AVAILABLE PLEASE RING.

We also buy all forms of electronic components, p.s.u.'s, disk drives etc. Lists to below address.

ALL PRICES INCLUDE V.A.T. PLEASE ADD £2.00 p&p EXCEPT ITEMS MARKED * WHICH ARE 50P. SAE FOR BULK BUYING LIST PAYMENT WITH ORDER TO: Dept EE, COMPELEC, 14 Constable Road, St. Ives, Huntingdon, Cambs PE17 6EQ Tel/Fax: 01480 300819

Printed Circuits in Minutes Direct from LaserPrint!

8 1/2" x 11"
*Or Photocopy
**Use standard household iron



1. LaserPrint*
2. Press On**
3. Peel Off
4. Etch

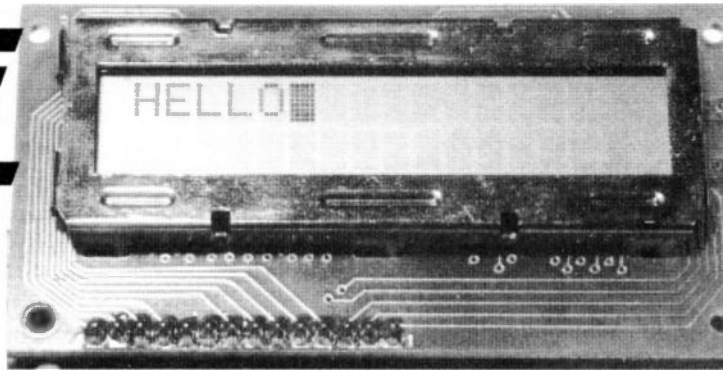
Use Standard Copper Clad Board

PRESS-N-PEEL
ETCHING SUPPLIES LTD

10 sheets £25
25 sheets £50

18 STAPLETON ROAD · PETERBOROUGH PE2 6TD
TEL: 01733 233043 FAX: 01733 231096

HOW TO USE INTELLIGENT L.C.D.s



JULYAN ILETT

Part Two

An utterly "practical" guide to interfacing and programming intelligent liquid crystal display modules.

IN THE FIRST part of this article, the capabilities of character-based liquid crystal display (l.c.d.) modules were examined, using a few simple, practical experiments. A series of switches was all that was needed to evaluate the command set in its most fundamental form, in binary (or hexadecimal).

However, in almost all instances where an l.c.d. is to be used in a design, a microprocessor, or more probably a microcontroller, will be needed to drive it. This is the subject we examine now.

GOOD TIMES

The timing requirements of the HD44780 chip, the controlling device used in most character-based l.c.d. modules, are illustrated in Fig. 6. The diagram provides the information for both read and write cycles, although some data sheets may show the two separately. Table 4 details the timing parameters referred to in Fig. 6.

In the experiments last month, commands were sent to the display by pressing switches on an experimental test rig. Nothing much went wrong there, so why is it necessary to have such a complex timing diagram?

Well, we human beings leave plenty of time between pressing one switch and the next, so the l.c.d. controller can easily keep up with us. Microcontrollers are faster than we are, though; they can toggle a control line several million times a second, and at such speeds the l.c.d. controller might not keep pace with the commands.

The timing diagram and its tabulated figures simply tell us how quickly the l.c.d. chip can respond so that we can program the microcontroller accordingly.

Let's take a typical microcontroller, one of the PIC devices which have become so popular, and see how we program it to

control an l.c.d. from the quoted timing details.

First, though, it must be pointed out that the discussions from now assume that you have a rudimentary understanding of programming PIC microcontrollers, and that you have suitable software and equipment for doing so. It is not the intention of this article to teach PIC programming.

(We have published several PIC-based projects in recent month's which are well worth studying, along with their software listings. See the Back Issues and EPE PCB Service pages. Ed.)

The PIC microcontroller would be programmed to start by first setting the l.c.d.'s RS line to its correct logic level. This is the line that determines whether the l.c.d. should regard data as control instructions or character information. In cases where data needs to be read back from the l.c.d.,

the microcontroller must also have control over the R/W line (read/write), otherwise it should be connected to ground, as on the test rig.

The microcontroller can set up these two signals at the same time, or it may do one before the other, it doesn't really matter. What is important, is that they are both "valid" or "stable" for a minimum period of time before the level on the "E" (Enable) line is raised to a logic 1. On the diagram in Fig. 6, this period is shown as "tAS" (time - address setup), and in the table this is specified as 140ns minimum. It can be more than 140ns, but it must not be any less.

Once line E is high, it must not be brought low again until at least 450ns has elapsed, as is indicated by the "tEH" (time - enable high). Also, all eight data lines must be set to their appropriate logic levels and allowed to stabilise for at least the "tDS" (time - data setup) period of 200ns before bringing line E low again.

Note that the l.c.d. allows the data lines to be set up after line E is taken high. In the experiments last month, data was established well before the E switch was pressed, but either condition is allowed.

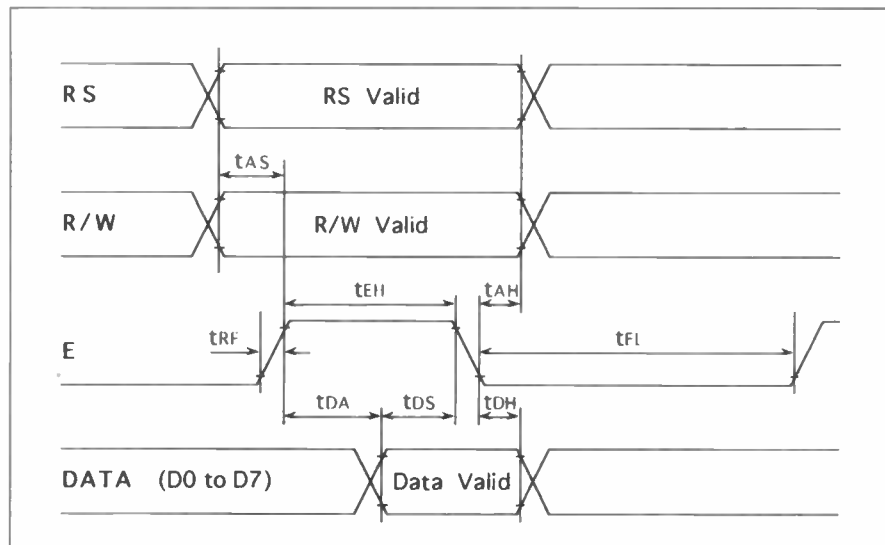


Fig. 6. HD44780 timing diagram.

Table 4. HD44780 Timing Parameters.

Parameter	Description	Time
tAS	Address set up time	140ns min
tAH	Address hold time	10ns min
tDS	Data set up time	200ns min
tDH	Data hold time	20ns min
tDA	Data access time	320ns max
tEH	Enable high time	450ns min
tEL	Enable low time	500ns min
tRF	Rise/Fall time	25ns max

When line E is returned to a low level, there are also two hold times that must be taken into account. The "tAH" (time - address hold) parameter indicates that the RS and R/W lines must not be altered for at least 10ns, and "tDH" (time - data hold) shows that none of the data lines must change for at least 20ns.

One further restriction exists. The E line must not be taken high again (for the next command, that is) for another 500ns (tEL: time - enable low). This means that the total cycle time of the E line is 450ns plus 500ns. Allowing for the rise and fall times, indicated by "tRF", which should be no longer than 25ns each, an approximate value of 1µs can be calculated. This means that no more than one million commands (or one million characters) per second should be sent to the display, not a restriction that would normally present many problems!

BUSY

The timing diagram doesn't tell the whole story, however. Much longer delays are required to enable the l.c.d. to process commands and data. Most commands tie-up the l.c.d. for 40µs,

during which time it is said to be "busy". The Clear Display and Cursor Home commands, though, can take a lot longer.

Execution times for all the instructions are shown in Table 5. This includes all the commands, writing data to the display, and reading both data and status. The two Read instructions have not yet been experimented with, but reading the status of the l.c.d. is the method used to determine whether or not it is busy.

The practical implication of these instruction times is just a case of having to insert a delay between one instruction and the next. The first two commands, Clear Display and Cursor Home, have variable execution times that depend upon several factors. Not much is said about this variation in the data sheets, but it does involve returning the cursor to address 10000000 (\$80), unshifting the display and, in the case of Clear Display, putting a space character into each display address.

Table 5. HD44780 Command Execution Times.

Instruction	Time (Max)
Clear Display	82µs to 1.64ms
Display & Cursor Home	40µs to 1.64ms
Character Entry Mode	40µs
Display On/Off & Cursor	40µs
Display/Cursor Shift	40µs
Function Set	40µs
Set CGRAM Address	40µs
Set Display Address	40µs
Write Data	40µs
Read Data	40µs
Read Status	1µs

There is one other important situation when the l.c.d. will be busy. This is immediately after it has been powered up. It takes some 10 to 15 milliseconds for the full initialisation sequence to be completed, during which time no instructions can be executed.

This has important implications for a circuit using a microcontroller. A suitable delay must be added to the beginning of the program, otherwise the l.c.d. won't be ready when the first few instructions are sent to it and could become locked up in a non-correctable condition, requiring the power to be switched off again for a while.

NEW CIRCUIT

Time now to re-wire last month's experimental test rig to incorporate the PIC microcontroller. The circuit diagram of the modified arrangement is shown in Fig. 7. There's no longer any need for the debounce circuit, the microcontroller provides very clean output signals. It is not essential to use the PIC16C84 type specified in the diagram, the 54, 56, 61 and 71 types can all be used, but some minor changes may need to be made to one or two of the pin connections.

However, it is best to experiment with the PIC16C84 since it is the EEPROM (Electrically Erasable Programmable Read Only Memory) version of the microcontroller.

The use of this version is desirable because several different versions of software will need to be programmed and erased during the course of experimentation. Other versions of the microcontroller cannot be erased so easily, indeed some cannot be erased at all (those referred to as OTP, One-Time Programmable devices, for example).

The microcontroller's Clock Option can be set for RC (resistor/capacitor) or any one of the XT (crystal) options, but the RC option is cheaper, and precise timing accuracy is not important in this instance. The values of the resistor R1 and capacitor C1 connected to the OSC1 input in Fig. 7, will give a clock frequency of very approximately 2MHz. For the time-being, lower values of resistance or capacitance

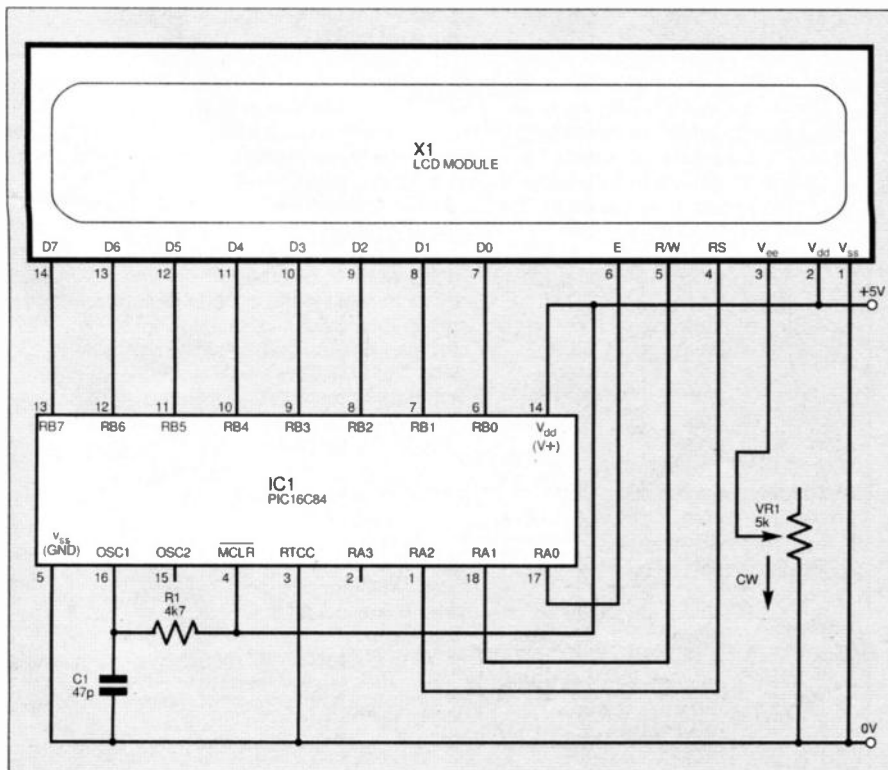


Fig. 7. Circuit diagram for interfacing a PIC16C84 microcontroller to an l.c.d. module.

(for faster speeds) should be avoided, to ensure the software delays are sufficiently long.

EXPERIMENT 8

PIC Program

Compile and program the contents of Listing 1 into the PIC microcontroller. It has been written for use with MPALC assembler software, although it can be readily translated to suit MPASM or TASM assembly.

Once the PIC has been programmed, re-power up the circuit. The word HELLO will appear on the display. There may seem to be a lot of source code required to do such a simple job, but the program performs all the setting up that the display needs, and can form the basis of a more complex system.

Precisely what all these instructions do is important and will be described in some detail.

The first routine, "initialise", comprises five Clear File (clrf) instructions which set the contents of five registers to zero. Two of these registers, 05 and 06, relate to output Ports A and B.

When the microcontroller is powered up, all port pins are automatically set up as inputs, so that no damage is done to external circuitry. The "setports" routine uses "tris" instructions to redefine each bit of Ports A and B as either an input or an output.

(Be aware that Microchip, manufacturers of the PIC family, now discourage the use of "TRIS", a command becoming incompatible with their newer devices. There are alternative ways of achieving the same result, as discussed in the PIC data books. Ed.)

The "longdelay" routine keeps the microcontroller occupied while the l.c.d. is initialising. This delay must be no less than 15ms, but can be more, of course. The routines "functionset" and "displayon" are very similar and issue hexadecimal commands \$38 and \$0F (00111000 and 00001111) to the l.c.d. These numbers should be familiar from the experiments carried out in Part 1.

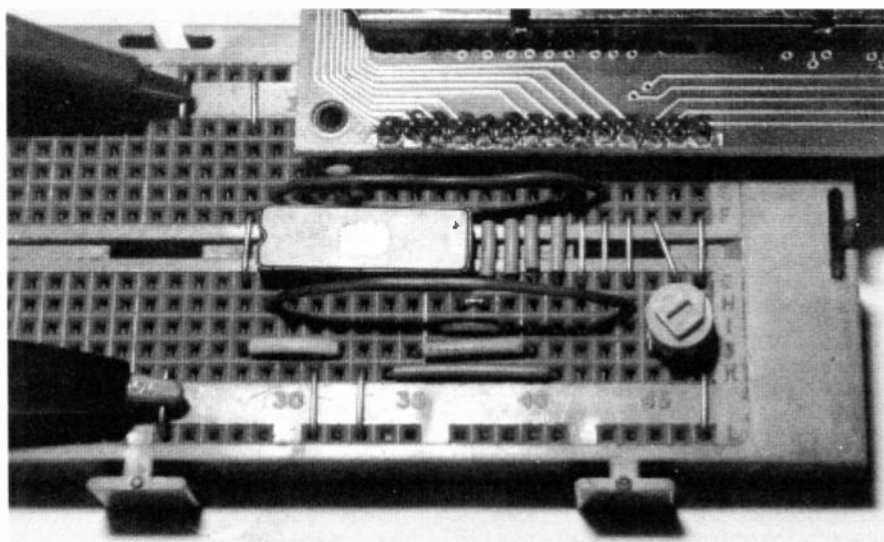
Both routines contain "call" instructions to two subroutines, "pulse_e" and "shortdelay", which can be seen towards the end of the listing. The "message" routine incorporates a program loop which is executed five times to output the five characters in the text table ("text") to the l.c.d. The PIC uses an unusual type of subroutine, comprising a list of "retlw" (return with literal) instructions which can be used to form tables of data.

Register \$0D is used as a counter which is initially set to zero by the "clrf" instruction in the "initialise" routine. This value is then used as a pointer to the text table which contains the ASCII characters which spell HELLO.

The "stop" routine locks up the microcontroller to stop it doing anything else. Finally, the "end" directive is not a program command, but an instruction to tell the assembler to stop assembling.

A GOOD READ

The program in Listing 1 only writes to the display. In many applications this is quite satisfactory, and it has the advantage of allowing the R/W line on the l.c.d. to



The prototype test rig showing the microcontroller in position (it's actually a PIC16C54, although a PIC16C84 is recommended).

LISTING 1

```

list      p=16C84                ;tells assembler to generate code for this device
initialise clrf      0D          ;clear register 0D, counter register
           clrf      0E          ;clear register 0E, short delay register
           clrf      0F          ;clear register 0F, long delay register
           clrf      05          ;Port A (register 05) outputs all set to logic 0
           clrf      06          ;Port B (register 06) outputs all set to logic 0
setports  movlw     0F8          ;Port A bits 0, 1, 2 as outputs (E, RS, R/W)
           tris      05
           movlw     00          ;Port B all bits as outputs (D0 to D7)
           tris      06
longdelay call      shortdelay  ;long delay while lcd initialises
           decfsz   0F,f
           goto     longdelay
functionset bcf      05,02       ;RS line to 0 (Port A, bit 2)
           bcf      05,01       ;R/W line to 0 (Port A, bit 1)
           movlw     38          ;Function Set command
           movwf    06          ;put it on the data lines (Port B)
           call     pulse_e     ;pulse the E line high (Port A, bit 0)
           call     shortdelay
displayon  bcf      05,02       ;RS line to 0 (Port A, bit 2)
           bcf      05,01       ;R/W line to 0 (Port A, bit 1)
           movlw     0F          ;Display On/Off & Cursor command
           movwf    06          ;put it on the data lines (Port B)
           call     pulse_e     ;pulse the E line high (Port A, bit 0)
           call     shortdelay
           clrf      0D          ;set counter register to zero
message    movf     0D,w         ;put counter value in W
           call     text        ;get a character from the text table
           bsf      05,02       ;set RS line to 1 (Port A, bit 2)
           bcf      05,01       ;set R/W line to 0 (Port A, bit 1)
           movwf    06          ;put character on the data lines (Port B)
           call     pulse_e     ;pulse the E line high (Port A, bit 0)
           call     shortdelay  ;delay while l.c.d. is busy
           incf     0D,w         ;try incrementing the counter register
           xorlw    05          ;would that make it increase to 5?
           btfsc   03,02       ;set the zero flag in the status register
           goto     stop        ;stop if all characters displayed
           incf     0D,f         ;increment the counter register
           goto     message     ;go back and do the next character
           stop
stop       goto     stop        ;stop the program running
;Subroutines and text table
shortdelay decfsz   0E,f         ;delay while l.c.d. is busy
           goto     shortdelay
           retlw    0
pulse_e    bsf      05,00       ;take E line high
           nop          ;hold it high for one clock cycle
           bcf      05,00       ;take E line low again
           retlw    0
text      addwf    02,f         ;table of characters for message
           retlw    'H'
           retlw    'E'
           retlw    'L'
           retlw    'L'
           retlw    'O'
end

```

Table 6. HD44780 Read Instructions

Instruction	RS	Binary							
		D7	D6	D5	D4	D3	D2	D1	D0
Read data	High	D	D	D	D	D	D	D	D
Read Status	Low	BF	A	A	A	A	A	A	A

D: Character data at current cursor address
A: Current cursor address (\$00 to \$7f)
BF: Busy Flag (0 = Ready, 1 = Busy)

be connected to ground, which in turn saves an I/O (input/output) pin on the microcontroller.

It is possible (and sometimes necessary) to read data and status information from the I.c.d., but of course the R/W line must be actively connected in order to do this. Reading the display differs from writing to it in some fundamental ways, so a re-examination of the timing diagram is now required, as the sequence of events is described.

Lines RS and R/W must be set up first, with R/W being set to a logic 1 this time. If RS is set high, data is returned indicating the character that is at the current cursor address. If RS is set low, a status byte is sent back, containing two separate items, bits 0 to 6 holding the current cursor address, and bit 7 containing the Busy flag.

The two Read instruction formats are shown in Table 6. After the necessary "address setup time" (tAS), the E line can be taken high. This is the point at which the read cycle differs from the write cycle, as the I.c.d.'s data lines will switch over to being outputs.

Clearly, before the microcontroller starts this read cycle, it must change its data lines to inputs, otherwise outputs would be connected to outputs and a fight (known as *bus contention*) would ensue. In any case, if the microcontroller's data lines were not inputs at this time, it would not be able to read the data.

It takes a while for the I.c.d. to change its data lines to outputs, and stabilise the data on them, but it guarantees to do this within 320ns, the "data access time" (tDA). The microcontroller can then read this data in through its inputs, and as soon as it's happy that it's got it, the E line can go back down.

Most of the information that can be read back from the display must have been written there by the microcontroller in the first place, which explains why many designs can get away without having the R/W line connected up.

The Busy flag, though, can be useful to the microcontroller, to avoid using all those delay routines. For applications which need to put a lot of information on the display in a very short time, checking the Busy flag is the most efficient way of knowing when the display is ready.

EXPERIMENT 9

Status Reading

In this experiment, the program in Listing 1 will be altered to incorporate checking of the Busy flag. The plan here is to replace the subroutine "shortdelay",

which has a fixed delay time, with another routine which will constantly check the Busy flag until it isn't busy any more.

Listing 2 shows the new subroutine, called "busywait". All occurrences of the "call shortdelay" instruction in Listing 1 should be replaced by "call busywait", including the three line section headed "longdelay". The program will put the message onto the display much more quickly than before, as unnecessary delays are eliminated.

The first two lines of "busywait" change the assignment of Port B, so that all of its I/O lines become inputs. Following this, the RS and R/W lines are set up ready for the status read. For short delays, the "nop" (no operation) instruction can be used, it is ideal for the small delay times required by the I.c.d. interface.

The E line is then sent high and, after a short delay to allow for the data access time (tDA), the state of the Busy flag is read into the microcontroller. A "rotate left" (rlf) instruction is used here, to transfer the Busy flag on data line D7, into the PIC's Carry flag, where it can be stored prior to testing.

Line E is then taken low, after which a test is performed on the Carry flag using the "btfss" instruction. If the Carry flag is set, then the I.c.d. was busy at the moment the reading was taken, and the program branches back to perform another status read.

If the I.c.d. is found to be no longer busy, Port B is switched back for all bits to be outputs and the subroutine returns to the main program. The program uses more code, but saves time by avoiding unnecessary delays.

LISTING 2

```

busywait    movlw    0FF        ;Port B all inputs (D0 to D7)
            tris     06
            bcf     05,02      ;RS line to 0 (Port A, bit 2)
            bsf     05,01      ;R/W line to 1 (Port A, bit 1)
            nop
            nop
            nop
busyread    bsf     05,00      ;raise E line (Port A, bit 0)
            nop
            rlf     06,w       ;rotate BF into Carry flag
            bcf     05,00      ;lower E line (Port A, bit 0)
            nop
            nop
            nop
            btfsc   03,00      ;test Carry flag
            goto    busyread   ;if busy, go round again
            movlw   00        ;Port B all outputs (D0 to D7)
            tris    06
            retlw   0         ;return to main program
    
```

LISTING 3

```

functionset bcf     05,02      ;RS line to 0 (Port A, bit 2)
            bcf     05,01      ;R/W line to 0 (Port A, bit 1)
            movlw   20        ;1st Function Set command
            movwf   06        ;put it on the data lines (Port B)
            call    pulse_e    ;pulse the E line high (Port A, bit 0)
            call    busywait
functionset2 bcf     05,02      ;RS line to 0 (Port A, bit 2)
            bcf     05,01      ;R/W line to 0 (Port A, bit 1)
            movlw   28        ;2nd Function Set command
            movwf   0C        ;store command temporarily in 0C
            call    portnibble
            call    pulse_e    ;pulse E line high (Port A, bit 0)
            swapf   0C,w       ;swap nibbles of 0C, put result in W
            call    portnibble
            call    pulse_e    ;pulse E line high (Port A, bit 0)
            call    busywait
;Additional subroutine for nibble mode
portnibble andlw   0F0        ;clear lower 4 bits of W
            iorwf   06,f       ;OR this with Port B
            iorlw   0F        ;set lower 4 bits of W
            andwf   06,f       ;AND this with Port B
            retlw   0
    
```


EXPERIMENT 10

Nibble Mode

The final experiment is to implement 4-bit data transfer mode between the I.c.d. and the microcontroller. This was examined in Experiment 7 in Part 1, so the technique should be reasonably well understood.

However, several changes need to be made, both to the circuit and to the program, details of which will be left to you to fully implement, but the principles involved are as follows:

Listing 3 shows some of the changes. Data lines D0 to D3 on the I.c.d. should be disconnected from the microcontroller (see Part 1 for how to deal with these unused I.c.d. lines). Data lines D0 to D3 on the microcontroller are now free to be used for other purposes, but for the time being can be left open circuit.

As we saw in Part 1, two separate Function Set commands are needed to set up the I.c.d. First, binary code 00100000 (hexadecimal \$20) is sent while the I.c.d. is still in 8-bit mode, the mode which it automatically adopts when first switched on. This first code is followed by 00101000 (\$28) sent as two separate nibbles, i.e. 0010 and 1000, both sent on lines D4 to D7. (Don't forget that lines RS and E must be dealt with appropriately when sending data.)

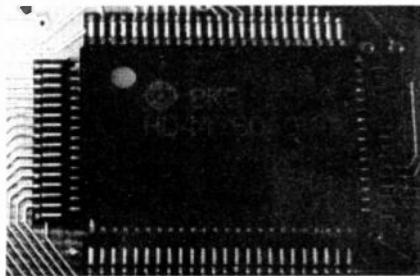
In Listing 3, the "functionset" routine of Listing 1 has been modified to send \$20 instead of \$38, and then a new routine, "functionset2", has been added, between "functionset" and "displayon", to send \$2, and then \$8. In the new routine, splitting a command byte into two nibbles is achieved by using the PIC's "swapf" in-

struction, which exchanges the upper and lower halves of any register.

The purpose of using 4-bit mode is that the other four bits of Port B (bits 0 to 3) can be used for something else, so writing data out on the upper half of Port B, must be done in such a way that it does not affect the lower half. In practice, any of the microcontroller's data lines can be used to send control the I.c.d., programming the software accordingly.

Individual "bit set" (bsf) or "bit clear" (bcf) instructions could be used to alter each bit in turn, but there is a simpler, more logical way, literally! A sequence of AND and OR instructions can be used to handle all eight bits of Port B, masking out those which must not be changed.

Listing 3 shows a subroutine called "portnibble" which contains a sequence of four instructions that do the job. The upper four bits of the W register are transferred to the upper four bits of Port B, without affecting the lower four bits. A separate "pulse_e" call must be made for each of the two nibbles transferred, after



The "intelligent" heart of the I.c.d. modules discussed.

which a single "busywait" call is added.

The "portnibble" routine is added to Listing 1 between the end of the "text" table and the "end" statement.

It is also necessary to alter the "displayon" routine of Listing 1 to operate in 4-bit mode, in the same way as is done in the "functionset2" routine. You can do the conversion for yourself to prove that you have understood so far!

More challenging, perhaps, are the modifications that have to be made to the "message" routine of the program. The procedure is the same, however, two 4-bit transfers being required instead of one 8-bit transfer. The use of 4-bit data transfer mode does add to the complexity of the software, but is well worth the effort as four extra I/O pins are released.

DIGITAL ALTERNATIVES

So many electronic devices, these days, have a small keyboard and a liquid crystal display. For example, many of the better portable radio systems have dispensed with the potentiometer as a volume control, and the variable capacitor as a tuning control, and opted for a digital data entry and display alternative.

The advantages that such digital systems offer are undeniable, and even for the amateur constructor are readily achievable using low-cost but powerful microcontrollers, and inexpensive but versatile displays and keyboards, as the experiments in this two-part series have hopefully suggested to you.

(We have more PIC-controlled I.c.d. orientated projects in the pipeline. Ed.)

SEETRAX CAE RANGER PCB DESIGN

WITH COOPER & CHYAN AUTOROUTER

RANGER3 - DOS	£2500
- Windows\NT	£2900

Hierarchical or flat schematic linked to artwork.

Unlimited design size, 1 micron resolution

Any shaped pad, definable outline library

Pin, gate & outline swapping - auto back annotation

Split power planes, switchable on - line DRC

COOPER & CHYAN SPECCTRA

autorouter (SP2)

Inputs: OrCAD, Cadstar,

PCAD, AutoCAD DXF

Outputs: Postscript, Windows bit map

R2 & R3 Outputs: 8/9 & 24 pin printers, HP

Desk & Laser Jet, Cannon Bubble Jet,

HP-GL, Gerber,

NC Drill, AutoCAD DXF

RANGER2	£150
---------	------

Upto 8 pages of schematic linked to artwork
Gate & pin swapping - automatic back annotation
Copper flood fill, Power planes, Track necking,
Curved tracks, Clearance checking,
Simultaneous multi-layer auto-router

RANGER2 UTILITIES	£250
-------------------	------

COOPER & CHYAN SPECCTRA auto-router (SP1)

Gerber-in viewer, AutoCAD DXF in & out

UPGRADE YOUR PCB PACKAGE TO RANGER2	£60
--	-----

TRADE IN YOUR EXISTING PACKAGE TODAY

Seetrax CAE, Hinton Daubnay House, Broadway Lane, Lovedean, Hants, PO8 0SG

Call 01705 591037 or Fax 01705 599036 + VAT & P.P

All Trademarks Acknowledged

PIC DEVELOPMENT

PROGRAMMER PIC EEZE-V2

Program/read/verify 16C54/55/56/57/58/61/62/620/621/622/63/64/71/73/74/84/Serial EEPROMs. Expansion port.

Built and Tested Only £52.95

PROGRAMMER/ICE PIC EEZE-V3

As above but with In-Circuit Emulation Capability.

Built and Tested Only £72.95

Both systems have ZIF sockets already fitted and expansion ports for current and future developments!

Other PIC developments. Learning pack for beginners, demonstration pack, PIC basic (Tel/write for details).



True PIC

Real Time

In

Circuit

Emulator

THE WORLDS FIRST
Real Time PIC-ICE that won't break the bank!

TRICE™
PIC Real Time In-Circuit Emulation.

- Emulation to 20MHz.
- Step/Skip/Animate/Run etc.
- Variable speed selection.
- 8k x 16 Emulation RAM.
- Target Probes included.
- Supports 18/28 pin PIC's.

Only £149.95

Test your code in a 'TRICE'

NEW



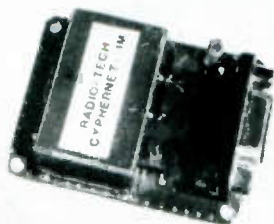
Please add £2.00 P&P and make cheques payable to LENNARD RESEARCH

29 Lavender Gardens, Jesmond, Newcastle upon Tyne, NE2 3DD.
Tel/Fax: (0191) 281 8050.

Product pictures/info on our web site:
<http://www.vex01.demon.co.uk/lennard.html>

PIC16C84 and BIM Transceiver Development Platform in one!

A hardware development platform for exploring high speed, PC-PC, half duplex, two way Radio Data Communications!



Radio-Tech Limited CYPHERNET-1M
Measures only 39 x 59mm x 17mm

Supplied with a free firmware driver the Cyphernet transceiver will permit you to link PC's and transfer data using Windows terminal mode. Only £79.95 each. Combined power and data cable only £ 6.95 each.

Dedicated PIC16C84 programming tool for re-programming the internal control firmware, permitting the user to explore and develop applications of their own. Only 94.95 each.

Unit featured above is Licence Exempt to MPT1340 within the UK. Export Versions on 433.92MHz to ETS300-220 available with 1 and 10mW output power. Prices include VAT and Carriage



Free Catalogue!

Radio - Tech Limited, Overbridge House, Weald Hall Lane
Thornwood Common, Epping, Essex CM16 6NB.
Sales +44 (0) 1992 57 6107 (4-lines) Fax +44 (0) 1992 56 1994
<http://www.radio-tech.co.uk> E-mail radtec@radtec.demon.co.uk

Established 1990

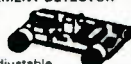


Product data
FAX back
01279 832269

NEW!

SECURITY

ULTRASONIC MOVEMENT DETECTOR
Xtal controlled oscillator, detector circuits & edge mounted transducers on one PCB just 75x40mm. Detection range 4-7m. Adjustable sensitivity. LED indicator. Outputs to drive external relay/circuits. 9V DC operation. 3049-KT. £15.95



MINI CCTV CAMERA

Latest high quality IR-sensitive monochrome camera module for Video Intercom CCTV Surveillance etc. Simply plug into scart or video. Six on-board IR LED's. Less than half the size of a cigarette packet!

FEATURES
* Compact fit video camera PCB module 40x38x30mm. 33 grams
* Low power consumption 12V DC, 150mA
* Low light requirement 0.1Lux (IR LED on)
* High quality, high resolution CCD image. 512x562 pixels
* Video output 1Vp-p/75ohm
* Lens 3.6mm, F1.8
* Field of view 74° x 56°
* Maintenance free
* Built-in electronically controlled auto-iris
* Internal synchronisation

ASSEMBLED UNIT: 30A7-AS £89.95

X-FACTOR

THE EXPERTS IN RARE & UNUSUAL INFORMATION!

Full details of all X-FACTOR PUBLICATIONS can be found in our catalogue. **£13** Minimum order charge for reports and plans is **£5.00 PLUS normal P&P**

SUPER-EAR LISTENING DEVICE Complete plans to build your own parabolic dish microphone. Listen to distant voices and sounds through open windows and even walls! Made from readily available parts. **R002 £4.00**

TELEPHONE BUG PLANS Build your own micro-battle telephone bug. Suitable for any phone. Transmits over 250 metres - more with good receiver. Made from easy to obtain, cheap components. **R006 £3.00**

LOCKS - How they work and how to pick them. This fact filled report will teach you more about locks and the art of lock picking than many books we have seen at 4 times the price. Packed with information and illustrations. **R008 £4.00**

RADIO & TV JOKER PLANS We show you how to build three different circuits for disrupting TV picture and sound plus FM radio! May upset your neighbours & the authorities!! **DISCRETION REQUIRED. R012 £4.00**

INFINITY TRANSMITTER PLANS Complete plans for building the famous Infinity Transmitter. Once installed on the target phone, device acts like a room bug. Just call the target phone & activate the unit to hear all room sounds. Great for home/office security! **R019 £4.00**

THE ETHER BOX CALL INTERCEPTOR PLANS Grabs telephone calls out of thin air! No need to wire-in a phone bug. Simply place this device near the phone lines to hear the conversations taking place! **R025 £3.50**

GENERAL KITS

3 DIGIT LED COUNTER 2 board basic event counter. Main board has 3 digit counter circuit. 2nd board has Count & Reset switches & debounce circuit. Cascaded with other boards to provide more digits. Box & battery holder provided. 9V battery. **78x50x25mm. 3001-KT. £15.95**

OP-AMP FUNCTION GENERATOR Quad Op-Amp connected as oscillator & wave shapers to generate audio range wave-forms. Oscillator generates Square Wave from 6Hz to 6KHz. Other amps produce Triangle & pseudo Sine outputs. Solder pad outputs. 9V powered. **47x40x22mm. 3023-KT. £3.95**

LOGIC PROBE Original, modern design tests both CMOS & TTL circuits as well as detecting logic pulses. Gives visual & audio indication of logic states found. Powered from circuit under test. It's operation is fully explained. **3024-KT. £9.95**

ROULETTE LED A great introduction to gambling... err electronics! Watch the 'ball' spin round the roulette wheel, slow down & drop into slot. Uses 10 LED's, CMOS decade counter & Op-Amp to teach Voltage Controlled Oscillator (VCO) principles. 9V powered. Educational & fun! **3006-KT. £11.95**

FELTIER JUNCTION HEAT PUMP Box & freeze water instantly! Use for regulated cooling of temperature sensitive components and much more. **3066-KT. £21.95**

9V XENON TUBE FLASHER This powerful high voltage xenon flasher runs off a simple 9V battery. A transformer is used to step up the 9V supply voltage to the high voltage required to flash the 25mm long tube. Flash rate adjustable between 0.25 to 2 second intervals. **3022-KT. £12.95**

LM383 AMPLIFIER MODULE Proven, popular building block for use in any audio project where general amplification required. Power output dependent on supply voltage & load resistance. Typical ratings: Over 10W for 16V supply & 2W speaker. 1W for 9V supply & 8W speaker. **3047-KT. £10.95**

plus AUDIO • EDUCATIONAL • LASER • SECURITY • TEST GEAR • BOOKS & more

Our high quality project kits are supplied with all components, fibre glass PCB's & comprehensive instructions. **FREE CATALOGUE** with order or send 2 x 1st Class stamps (refundable) for details of over 100 kits & publications. Mail order only. Please £1.00 P & P. (Europe £2, Rest of World £4) & make cheques/PO's payable to Quasar Electronics. Goods normally despatch within 5 working days. Please allow 28 days for delivery. Prices include VAT at 17.5%. For safety send cash by recorded delivery.

Quasar Electronics Unit 14 Sunningdale BISHOP'S STORTFORD Herts CM23 2PA
E-mail: QuasarElectronics@compuserve.com
Web site: <http://ourworld.compuserve.com/homepages/QuasarElectronics>

COMBINATION LOCK Versatile electronic lock comprising main circuit & space saving relay for remote opening of lock. 120VAC/10A relay supplied. 9-12V. **3029-KT. £10.95**

LIGHT ALARM Protect your valuables with this practical, clever little circuit. Alarm sounds if even the smallest amount of light falls on the circuit. Place in cash box etc. **3008-KT. £5.95**

THE SCREAMER! Painful alarm siren gives out a massive 110db of ear piercing noise. Box supplied has two 35mm piezo elements already built into their own resonant cavity. PCB fits inside box to give a neat, compact unit. Use as part of an alarm circuit or just for the fun of it! **6-9V operation. 3015-KT. £10.95**

SURVEILLANCE

High performance surveillance kits. Room transmitters supplied with sensitive electret microphones & battery holders/clips. All transmitters can be received on an ordinary VHF FM radio.

MTX - Miniature 3V Transmitter
Easy to build & guaranteed to transmit 500 metres (over 1000m possible with higher voltage & better aerial). 3-9V operation. Only 45x18mm. **3007-KT. £5.95**

MRTX - Miniature 9V Room Transmitter
Our best selling 'bug'. Super sensitive, high power 1000m range (Up to 2 miles with 18V supply & better aerial). 9V operation. 45x19mm. **3018-KT. £8.95**

HPTX - High Power Room Transmitter
High performance, 2 stage transmitter gives greater stability & high quality reception. 1000m range with 9V battery. 6-12V operation. On/off switch. Size 70x15mm. **3022-KT. £9.95**

VTX - Voice Activated Transmitter
Powerful 2 stage voice activated transmitter. Only operates when sounds are detected. 1km range. Low standby current - conserves battery power. Adjustable sensitivity & turn-off delay. Only 63x38mm. **3025-KT. £9.95**

TR1 - Telephone Recording Interface
Connect between phone line & cassette recorder. Automaticaly switches on tape when phone is used. Records all conversations. Powered from line. 48x32mm. **3033-KT. £9.95**

TRVS - Tape Recorder Vox Switch
Very sensitive, voice activated switch - automatically turns on cassette recorder when sounds are detected. Adjustable sensitivity & turn-off delay. 115x18mm inc. **3013-KT. £8.95**

MTTX - Miniature Telephone Transmitter
Attaches anywhere to phone line. Transmits only when phone is used. Uses phone line as aerial & power source. 500m range. 45x15mm. **3016-KT. £8.95**

Two Station Intercom/Hard Wired Bug
Each unit has its own speaker, microphone & amplifier (LM386). Turn into a hard wired bug by using 4 strand ribbon cable supplied to send power from the receiving unit to the remote 'bug' unit. 9V. **3021-KT. £13.95**

Telephone Amplifier Kit
Pick-up coil & sensitive amplifier let you hear conversations without even holding the phone! Can be used for surveillance purposes. **3005-KT. £9.95**

LED SEQUENCE/RANDOM FLASHER 5 ultra bright red LED's flash in sequence or random. Ideal for model railways. On/off switch. COB PCB. 15x8mm (square provided). 3V powered. **3062-KT. £5.95**

LED DICE The classic electronic project that never loses its popularity. Combines a great game with an easy introduction to electronics & simple circuit analysis. 7 LED's simulate a real dice face. The dice rolls, slows down, stops on a number at random. Uses a 555 timer & counter IC. Box included. 9V operation. **3003-KT. £9.95**

STAIRWAY TO HEAVEN GAME This game of skill tests your hand-eye co-ordination! If you press the switch each time the green part of the bi-polar LED lights you climb higher up the stairway - but miss & you start again! Introduces you to several basic electronic circuits. Box provided. 9V operation. 78x50x19mm. Rolfe Harris NOT included! **3005-KT. £9.95**

DC MOTOR SPEED CONTROLLER Control the speed of any common DC motor (rated up to 100V (SA)). Operates on 6-15V. Uses NE565 IC to pulse-width modulate a TIP122 high current, switching power transistor. In the way torque of the motor is not lowered! Box mounted. **3067-KT. £20.95**

SWITCHING POWER SUPPLY Replace expensive 9V batteries with cost-efficient 1.5V cells. IC based circuit acts as a step-up switching power supply. Selectable 1.5 or 3V DC inputs. Gives a fixed output of 9V @ 18mA from a 1.5V 'AA' cell. Solder pads for input/output. 1 cell & 2 cell 'AA' holders & jumper switches supplied. 40x15x12mm. **3035-KT. £5.95**

SINGLE CHIP AM RADIO Complete mini sized AM radio on a PCB. Tuned Radio Frequency front-end. AM Radio IC & 2 stages of audio amplification. All components supplied inc. prewound coil & speaker. 32x102mm. **3063-KT. £10.95**

TRAIN SOUNDS 4 selectable sounds - Whistle Blowing, Level Crossing Bell, Chugging & 'Clickety-Clickety'. 2-6V. Supplied with components inc. speaker. 16 x 29mm COB PCB. switches & 2 x 'AA' battery holders. **SG1. £5.95**

OIL CHECK REMINDER

DAVID SMITH



Winter's Here! So don't delay, guard against running out of central heating oil now! It could save you pounds!

FOR those of us who have central heating systems at home, they usually fall into three main categories i.e. gas, oil, or solid fuel. For those on gas, the supply is never in question, it is always there "on tap" so to speak – unless one forgets to pay the bill!

For those who use solid fuel; well, there never is a time when you can forget. Every day means stoking up the boiler, cleaning out the ashes, plus a lot of other dirty jobs that solid fuel advertisement campaigns always seem to leave out of their television commercials.

However, when it comes to those of us who run an oil-fired central heating system, then there are opportunities for us to become forgetful. Heating oil is usually ordered on average every three months and in the interim period, the central heating system generally runs itself. We can become so complacent with it operating day in and day out, that we can forget to do a very important job, which is to check the level of the outside oil tank from time to time to see when to order the next delivery of fuel.

TIME CHECK

Forgetting to do this simple task can incur an expensive call out fee from a heating engineer. This is because, if the tank is allowed to completely empty and the boiler's pump is calling for more fuel, then air locks could form in the supply pipe leading from the tank to the house. Not only this, but sediment, situated in the bottom of the oil tank, could be sucked into the filter system.

What is required is some kind of periodic reminder to prompt us to check the oil level in the tank. The Oil Check Reminder featured here does just that, and one day could perhaps pay for itself by saving an expensive call out fee.

It consists of a box, in which is housed a programmable timer, which can be set

for timing periods of up to one month. At the end of a timing cycle, an l.e.d. situated on the front of the main timing box, flashes a warning, and a quiet but persistent clicking noise emanates from an in-built loudspeaker. It was decided at the outset that the audio warning signal should be a click rather than a continuous tone, owing to the fact that the device may trigger during the night.

Resetting the timer simply requires the pressing of a button. This is housed separately in a small remote waterproof plastic box and mounted under the oil tank outside. Of course, whilst you are stood by the oil tank resetting the timer, you may as well check the level of the oil at the same time. *Mission accomplished!*

CIRCUIT DESCRIPTION

The full circuit diagram for the Oil Check Reminder is shown in Fig. 2.

Because of the necessity to generate timing periods of up to a month, the ubiquitous 555 timer chip, so often used in timing circuits, cannot be used as the central timing device in this instance. This is because the values of both the timing capacitor and resistor would have to be so large that the microscopic amount of charging current passing through the resistor would quickly leak away through the capacitor without ever allowing it to charge up.

Instead, at the heart of our oil check circuit, we have used a μ A2240 timer/counter (IC2). The internal functions and pinout are given in Fig. 1. This CMOS chip is capable of producing accurate time delays ranging from microseconds to many days duration. It does this in the following way.

Referring to the circuit diagram in Fig. 2, an RC timing network consisting of resistor R4 and capacitor C1 is connected

to IC2's internal oscillator via pin 13. The maximum RC values suggested by the manufacturers of the chip are 10 megohms (10M Ω) and 1000 microfarads (1000 μ F), and these values have been used in the circuit to give the maximum amount of timing capability possible.

PROGRAM TIME

The output from the timebase is fed internally to an 8-bit counter, which can be externally programmed to provide an output ranging from 1 RC to 255 RC. This is accomplished by using an 8-way d.i.l. (dual-in-line) switch (S2 to S9) connected to pins 1 through to 8 of IC2. By closing one or more of these d.i.l. switches, various combinations of timings can be achieved.

The outputs from IC2 pins 1 to 8, represent values of 0, 2, 4, 8, 16, 32, 64, and 128 respectively. So, for example, if only pin 6 is connected to the output and the rest left open, the total duration of the timing cycle would be 32 T. Similarly, if only pins 1, 5, and 6 are shorted to the output, then the total time delay can be calculated as $T = (1 + 16 + 32) = 49T$. Therefore, by the appropriate combination of d.i.l. switches being closed, any timing period from 1 RC to 255 RC in 1T steps can be achieved.

Put another way, if the internal oscillator was running at one cycle per second, then closing all the switches would give an

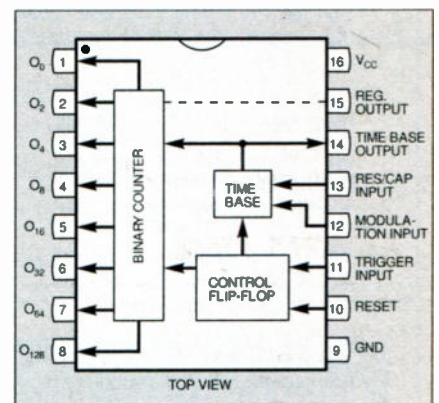


Fig. 1. Pinout details for the μ A2240 programmable timer/counter.

output every 255 secs (4.25 minutes). Of course, with RC values of $10M\Omega$ and $1000\mu F$, the time delay will be considerably longer than this, and with the chip having a quoted accuracy of 0.5 per cent, very long and accurate time delays can be accomplished.

The $\mu A2240$ timer/counter i.c. can be operated in either a monostable or astable mode. For our purposes, it has been wired to provide a monostable output. This is achieved by permanently connecting the output bus to the reset input (pin 10) via resistor $R5$.

It was felt necessary to include an opto-isolator in the circuit owing to the potentially long cable run required to the oil tank and the likelihood of the cable picking up all sorts of electrical interference. An electrical spike, perhaps erroneously introduced into the cable after a couple of weeks, would reset the circuit prematurely and one would be unaware anything was wrong for a further month!

However, with the cable only carrying current to switch on the internal l.e.d. of $IC1$, then the circuitry is immune to such problems. Not only that, the transis-

der exceptional mains fault conditions, it could become "live" up to 230V a.c. relative to any nearby surfaces at ground potential (e.g. metal railings, metal greenhouse frames or any other metal structure) and may present a serious shock risk.

Readers MUST ensure that the cable to the remote Reset box is double insulated and that there is no possibility of external contact being made with the electrical connections to the switch tags within the box. Ordinary twin-cored mains cable is suitable; each core is separately insulated, with both jointly wrapped by an external

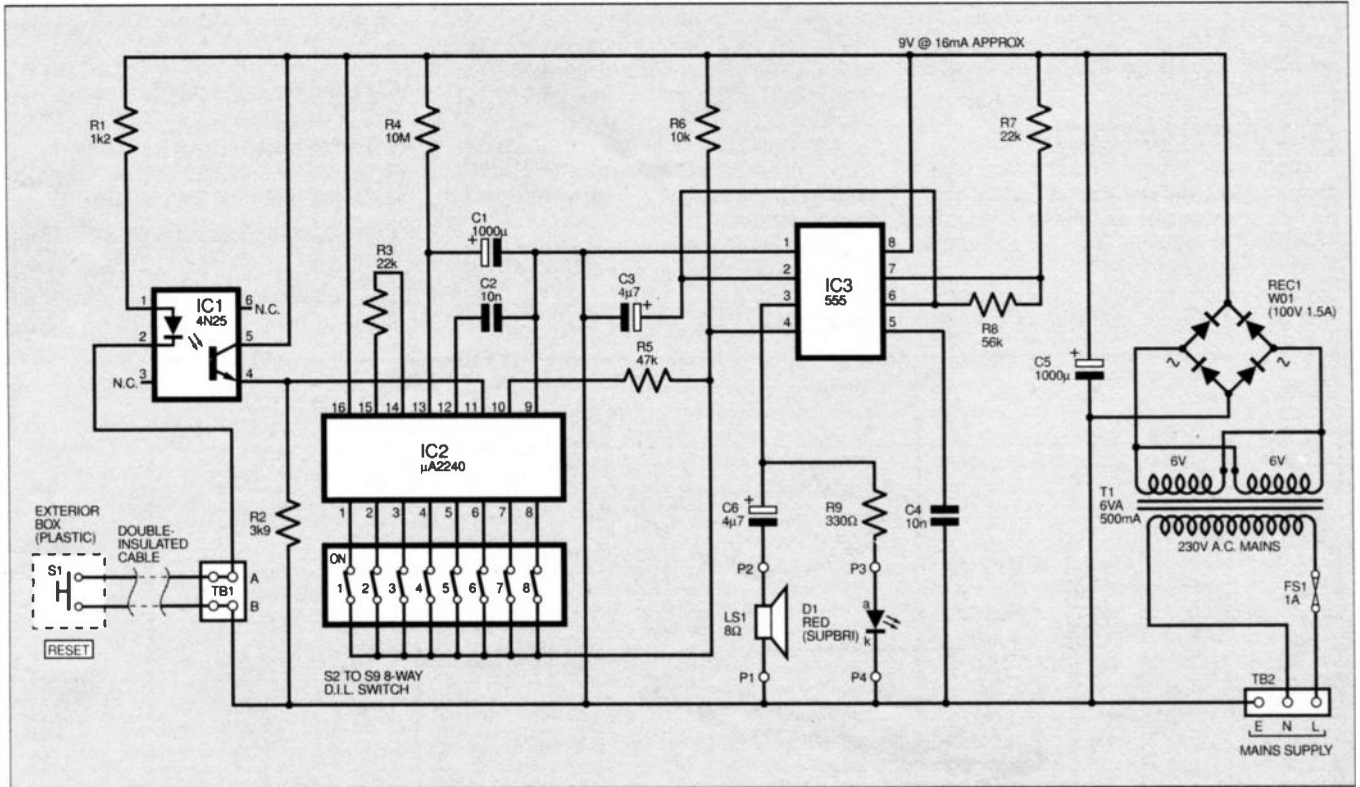


Fig. 2. Complete circuit diagram for the Oil Check Reminder. Note the use of a "double-insulated" cable run for the remote Reset-switch. The completed alarm unit is shown below.

When the first timing period is complete the output from the $\mu A2240$ goes high. This is fed to pin 4 of $IC3$ (a 555 timer) which allows it to oscillate at a low frequency, set by resistor $R8$ and capacitor $C3$.

The output from $IC3$, pin 3, is then fed to an l.e.d. $D1$ via current limiting resistor $R9$ and to a small loudspeaker $LS1$, whose volume is preset by capacitor $C6$. A value of $4.7\mu F$ was chosen for $C6$ to give a click, easily audible whilst in the vicinity of the box, but not so loud as to become an annoyance should it trigger during the night. Alternative values of capacitor may be tried here if it is felt the volume is not to ones liking.

Because we are not using the modulation input of $IC2$ (pin 12), capacitor $C2$, is used to connect this pin to the 0V or "earth" line.

ALARM TIME

Once the alarm has been triggered, the only way to stop it, is to press the remote Reset button ($S1$) situated "outdoors", alongside the oil tank. This resetting of the circuit is accomplished by sending a positive going control pulse to pin 11 of $IC2$. The pulse is provided by $IC1$, an opto-isolator type device.

tor, also encased within the opto-isolator, provides a nice smooth transitional voltage with which to reset $IC2$.

Powering of the circuit is straight forward with a mains transformer $T1$, bridge rectifier $REC1$ and a smoothing capacitor ($C5$). The circuit for the Power Supply stage is also shown in Fig. 2 and it is incorporated on the printed circuit board (p.c.b.).

Note, the "mains earthing" is continued all the way to the external remote Reset switch $S1$, so it is vital to use "double-insulated" cable to connect it to the indoor main control unit. The Reset box *must* be plastic and sealed against the ingress of moisture.

PROJECT SAFETY

At one end of the circuitry lies **MAINS** voltages, whereas at the other end, there is a pushbutton switch situated outside in the garden and "fixed" to a metal tank, which will sometimes be wet because of rain. *It is vital therefore, that the utmost care be taken with this project.*

When finally installing the Reset unit outside, it is imperative to bear in mind the safety aspects of cabling. The remote location of the Reset switch extends the mains Earth outside the building. Therefore, un-



outer insulating sheath. **If in any doubt, consult a qualified electrician.**

The circuit design includes a mains fuse situated on the p.c.b. which also has a safety cover over it. Also note that once the mains cable has been connected to terminal block TB2, the top of the block should have a small piece of p.v.c. tape stuck over it to prevent any possibility of the "live (L)" screw from being accidentally touched.

Furthermore, a carefully routed p.c.b. track has been included to take an Earth line between the mains area and the low voltage area of the circuit board. The external "splashproof" Reset switch S1 **MUST** be housed inside a moisture free, plastic box.

CONSTRUCTION

The topside printed circuit board component layout and full size underside copper foil track master are shown in Fig. 3. This board is available from the *EPE PCB Service*, code 125.

Construction is quite straightforward, with the majority of components mounted

on the printed circuit board (p.c.b.). The only items not on the board are the lid-mounted loudspeaker LS1, i.e.d. D1 and the remotely sited Reset switch S1.

Commence construction by soldering in place the single link wire and the d.i.l. sockets. Do not insert the i.c.s. at this stage, wait until the board has been completed and double-checked for any errors. You may already have many of the components yourself, but be aware that the lead pitch of capacitors etc., may not be the same and it may be necessary to do some lead bending to make your components fit on the p.c.b.

Pay special attention when soldering the mains transformer T1 into place, as the transformer pins are the only means of retaining it on the p.c.b. and must therefore be sound mechanically as well as electrically. Also, be particularly careful with the polarity of the bridge rectifier when soldering it in position.

Solder pins have been used on the p.c.b. to allow connections to be made to both the i.e.d. D1 and speaker LS1. For the incoming mains supply cable and the leads from the

external Reset switch S1, use p.c.b. mounting terminal blocks (TB1 and TB2).

When connecting the speaker and i.e.d. wires to the pins on the p.c.b. it is a good idea to use some small pieces of sleeving or heat-shrink tubing to cover the solder connections. Have you remembered to fit the wire link which connects the d.i.l. switches S2 to S9 to IC3?

Once all the components have been mounted on the p.c.b., check for any "dry" solder joints or solder bridges between i.c. pins or copper tracks. If everything seems to be in order the i.c.s can now be inserted in their sockets, check against Fig. 3.

CARD-BOARD

In the interest of total safety, a piece of thick plastic card approximately the size of the p.c.b., should be situated under the board just prior to final assembly in the case. This can be held in place with either some double-sided adhesive tape or small blobs of glue, see Fig. 5. This cover is important, because it prevents the possibility of the p.c.b. copper tracks shorting

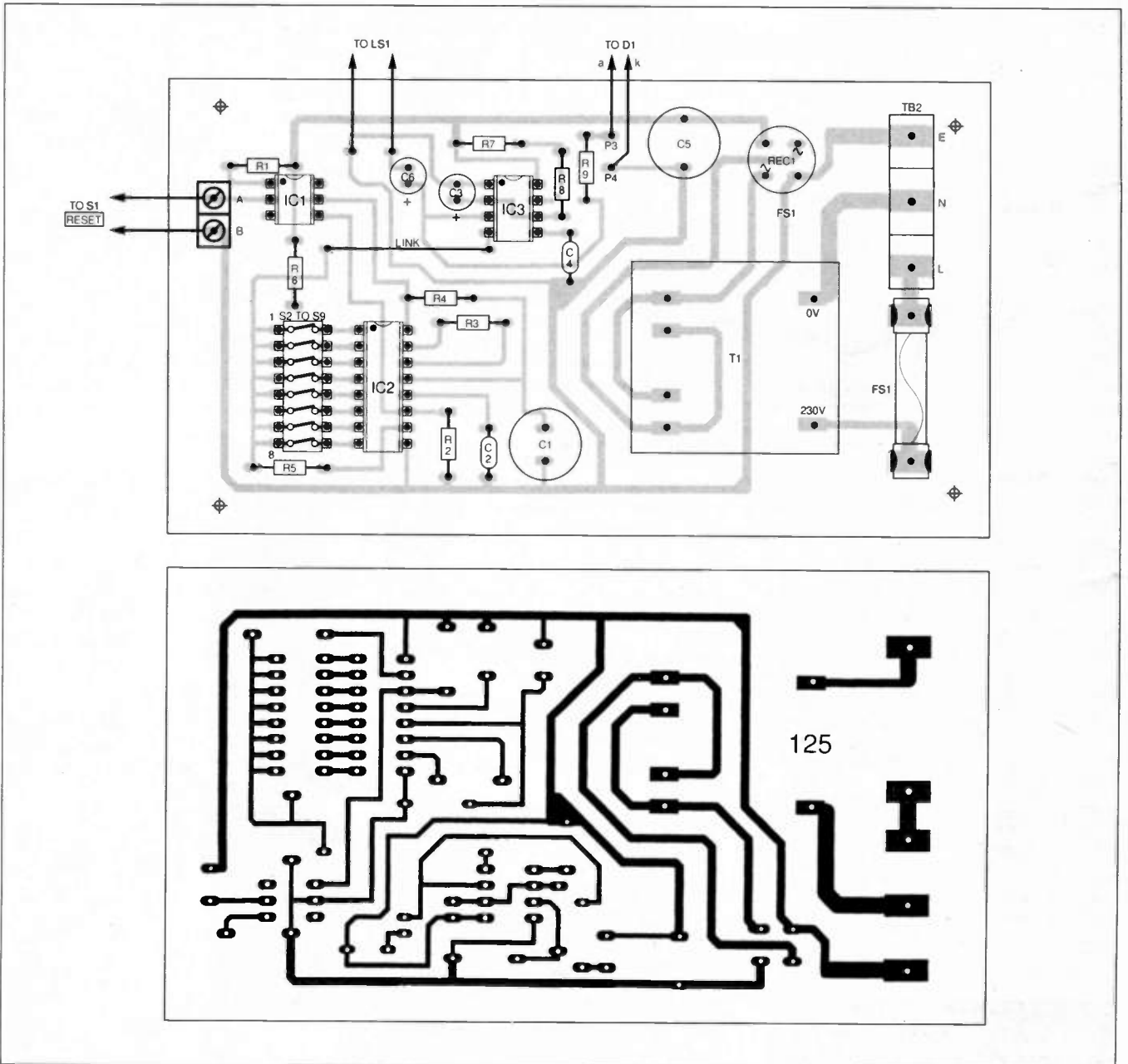


Fig. 3. Printed circuit board component layout and full size copper foil master pattern.

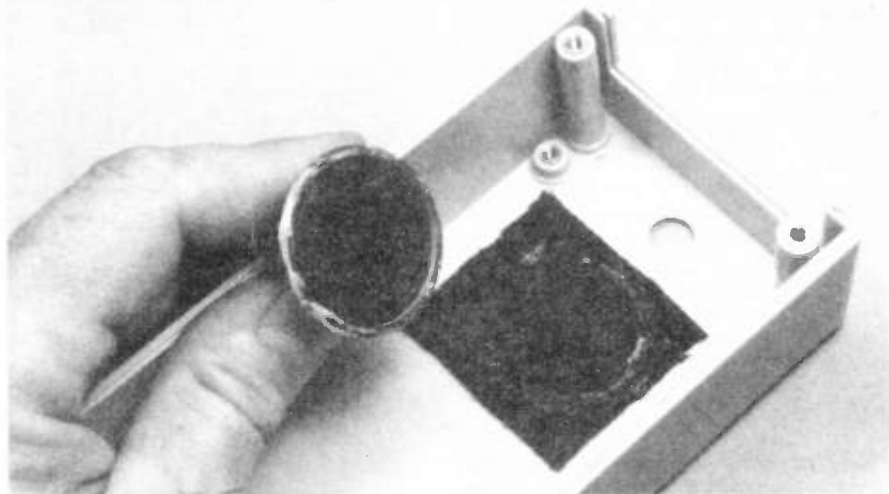
to anything either during the testing period or later.

In addition, the remote switch cable, which runs under the p.c.b., should have an additional length of plastic tubing shrouding it. This will safeguard it from being punctured by any sharp solder points or components wires, as the p.c.b. is screwed down over the top of it later.

At this point the circuit can be tested, taking care to observe all the electrical safeguards mentioned earlier. Once happy that the circuit is functioning correctly, the board can be fitted into its case.

FINAL ASSEMBLY

Make sure that the four corner fixing holes on the p.c.b. have been drilled accurately to line up with the four brass bushes fitted in the base of the case. You will find that the brass bushes in the specified case are not symmetrical, and that two



After smearing the loudspeaker rim with glue dab it on the grille cloth. This will mark where additional glue has to be applied.

COMPONENTS

Resistors

R1	1k2
R2	3k9
R3	22k
R4	10M
R5	47k
R6	10k
R7	22k
R8	56k
R9	330Ω

See
**SHOP
TALK**
Page

All 0.6W 1% metal film

Capacitors

C1, C5	1000μ radial elect. 35V (2 off)
C2, C4	10n polyester layer (2 off)
C3, C6	4μ7 radial elect. 63V (2 off)

Semiconductors

D1	10mm red Superbright I.e.d., with clip
IC1	4N25 opto-isolator
IC2	μA2240CN programmable timer/counter
IC3	NE555 timer
REC1	WO1 100V 1.5A bridge rec.

Miscellaneous

S1	pushbutton, plastic-bodied, splashproof (waterproof cap) switch
S2 to S9	8-way d.i.l. switch
FS1	1A 20mm fuse, with holder and cover
TB1	2-way 5mm p.c.b. mounting terminal block
TB2	3-way 10mm p.c.b. mounting terminal block
LS1	8ohm 38mm dia. loudspeaker
T1	6VA p.c.b. mounting mains transformer, with two 6V 500mA secondaries

Printed circuit board available from the *EPE PCB Service*, code 125; main plastic case, size 160mm x 80mm x 60mm; remote reset switch box, size 75mm x 50mm x 25mm; 6-pin d.i.l. socket; 8-pin d.i.l. socket; 16-pin d.i.l. socket (2 off); 3-core mains cable; double-insulated cable (i.e. mains) for remote switch; sleeved rubber grommet (2 off); small rubber grommet; piece of speaker cloth; rubber feet (4 off); multi-strand connecting wire; fixing screws; solder pins, solder etc.

Approx Cost
Guidance Only

£30

excluding cases

of the "studs" at one end are closer together than those at the other end. The distance between the bushes at one end is 58mm, whilst at the other it is 63mm.

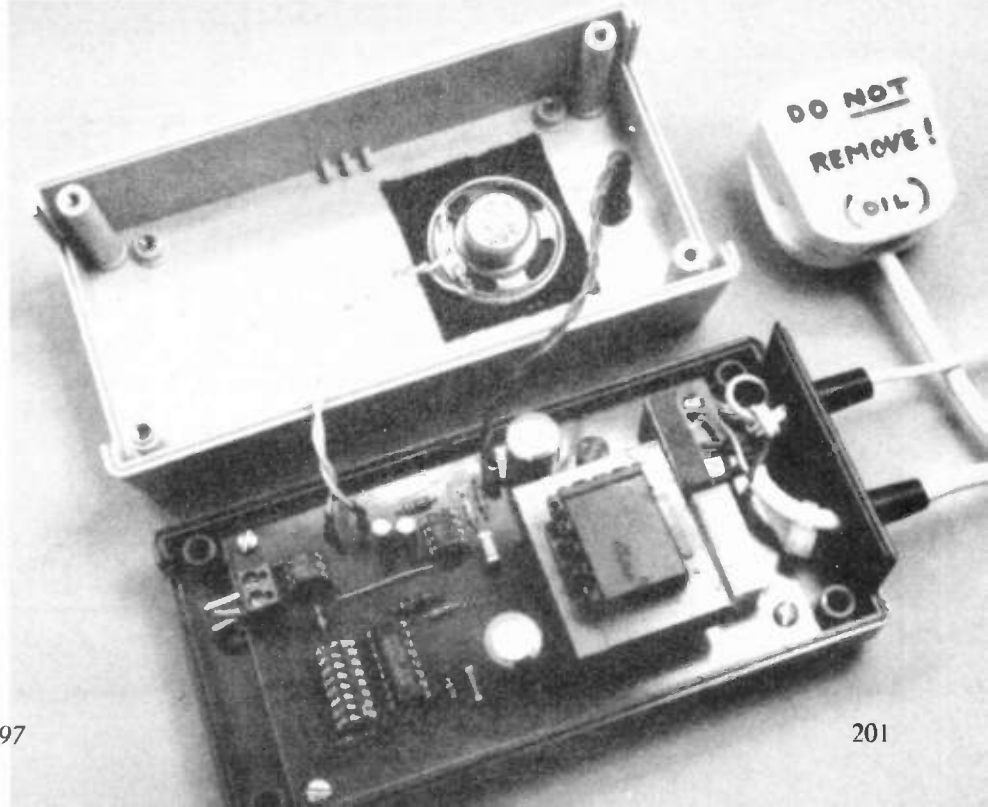
Drill all necessary holes in the case, making sure to fit sleeved entry grommets for both the mains cable and the leads leading to the remote Reset switch S1. Connections to the I.e.d. should be covered with heat-shrink sleeving after soldering.

Carefully check the polarity of the I.e.d. when wiring up. Although a 10mm I.e.d. fixing clip is called for to fasten the I.e.d. to the case lid, it was found to fit snugly within the 10mm hole drilled for it.

LOUDSPEAKER

The "sound" hole for the loudspeaker was made using a 25mm chassis cutter which gives a very neat and clean hole. If a chassis cutter is not available, then a series of smaller holes can be drilled in a circular pattern and the central piece of plastic punched out. The jagged hole which remains, can then be smoothed using either a modelling knife or a file.

Layout of components on the two halves of the alarm unit. The speaker is sited over the d.i.l. timing switches when the case is closed.



Four rubber feet should be fixed to the underside of the case, and should there be a requirement to fasten the case onto a wall, two sets of holes should be cut in the bottom of the case using two differently sized small drills (4mm and 9mm). After drilling, cut a slot between the two holes using a modelling knife to form a "keyhole". Details are shown in Fig. 4.

Of course, the reason why holes of this shape are needed, is because the box can only be fitted to the wall *after* the p.c.b. and top cover have been fitted. Similarly shaped holes can be found on a lot of domestic equipment.

For those not familiar with this type of fixing, proceed as follows. After deciding where the box is to be situated, it *MUST* be a dry indoor location, carefully drill two holes into the wall and fit Rawlplugs. Next, using flat-headed screws, partly screw them into the wall. Allow the screws to protrude just enough to permit the box to fit over them and for it to slide slightly downwards into its final position.

The use of round-headed screws are not recommended, as they may touch the underside of the p.c.b. inside the case and cause a short. This is another good reason why a thick piece of plastic card is placed between the p.c.b. and the bottom of the case.

EXTERNAL BOX

The Reset switch S1 is housed in a small plastic box. At one end of the box, find and mark the centre then, using a chassis punch, cut a 16.5mm hole in it. The pushbutton switch will now snap into the hole.

Although the specified switch used in this project is described as being "splashproof", British weather can be very harsh, and it is suggested that the box be mounted a little underneath the oil tank to give further protection from the elements, see Fig. 6. Also, smear a little waterproof sealant or contact adhesive around the hole where the cable enters the box and around the lid join. This will prevent the ingress of moisture and insects.

Fixing the box to the tank can be achieved using a contact adhesive or some double-sided adhesive tape. A dry day is needed when fixing, making absolutely sure that the tank area where the box is to be fixed is entirely free from moisture and rust particles.

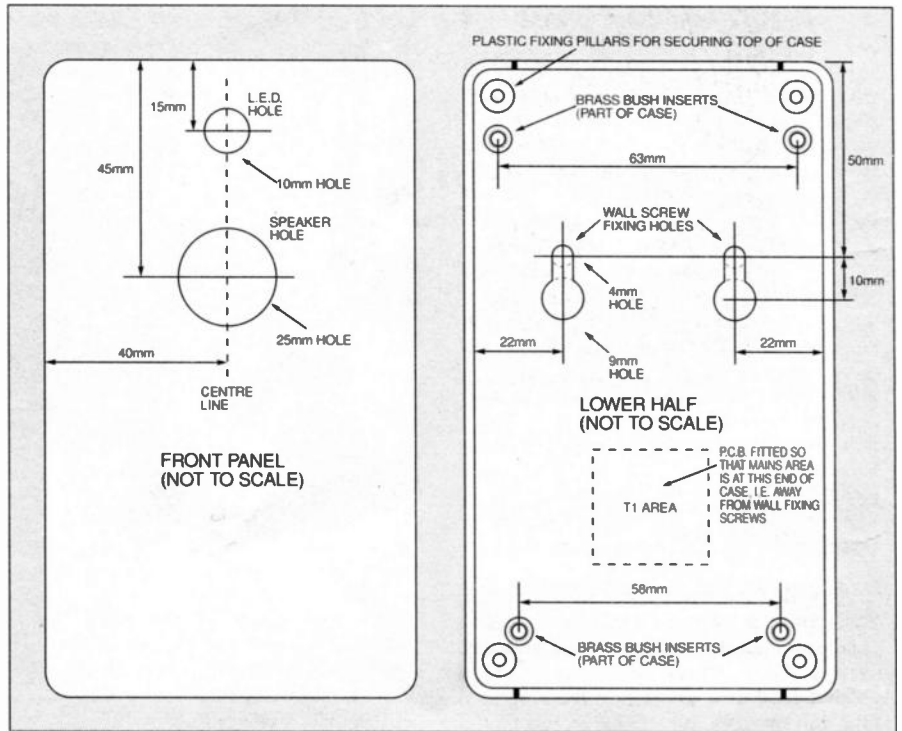


Fig. 4. Drilling details for the two halves of the main case.

TESTING

Testing has to be done with the circuit connected to the mains supply. It is assumed that all safety precautions have been taken and that all connections or soldered joints at mains potential have been suitably insulated.

Always, always, unplug the mains supply before attempting any adjustments to the circuit. Mains voltage is lethal and a moments inattentiveness can be fatal. **DON'T TAKE SHORT CUTS!**

If in any doubt you should consult a qualified electrician.

Once satisfied that the circuit is electrically safe, testing can begin.

Obviously, waiting for one month to see if the circuit works or not is a bit of a problem, so to speed things up, we need to increase the frequency of the internal timebase of IC2, the μ A2240. To do this, temporarily replace C1 (1000 μ F) with a 4.7 μ F capacitor, and R4 (10M Ω) with a 2.7k Ω resistor. The timebase will now oscillate at about 1Hz. Also, connect the Reset button temporarily, using a short length of twin cable.

When the device is initially powered up, the alarm will sound. Set the first d.i.l. switch (S2) to the "ON" position. Press the Reset button to cancel the alarm and reset the timer.

With the other seven d.i.l. switches set to the "off" position, the timer will sound approximately once every second. Setting all eight d.i.l. switches to their "on" position, the timer will sound approximately once every 255 seconds.

Small Reset switch box.

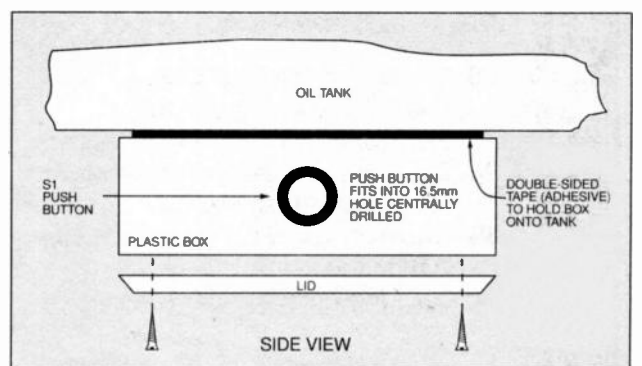
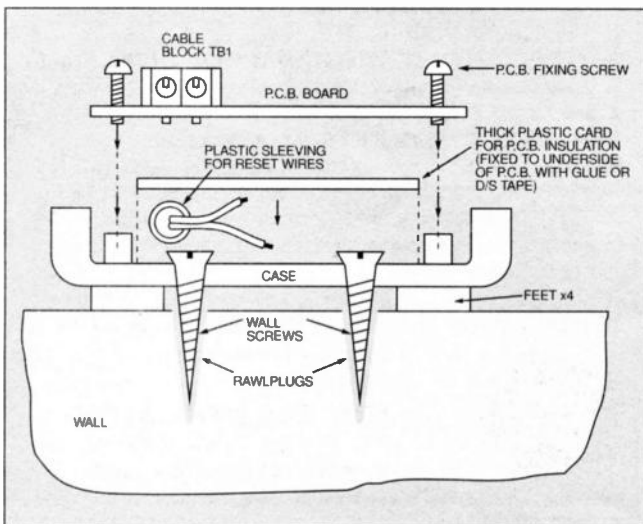
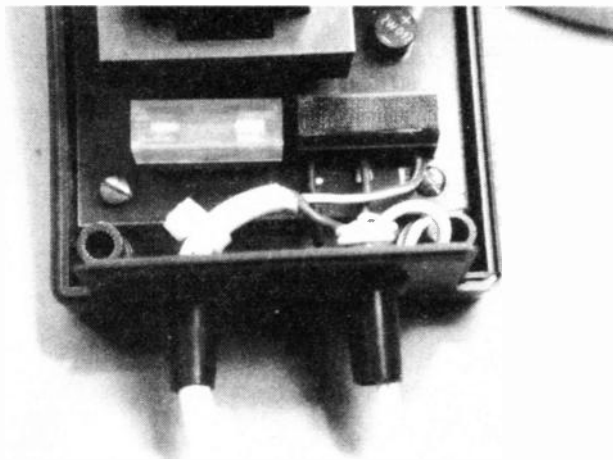
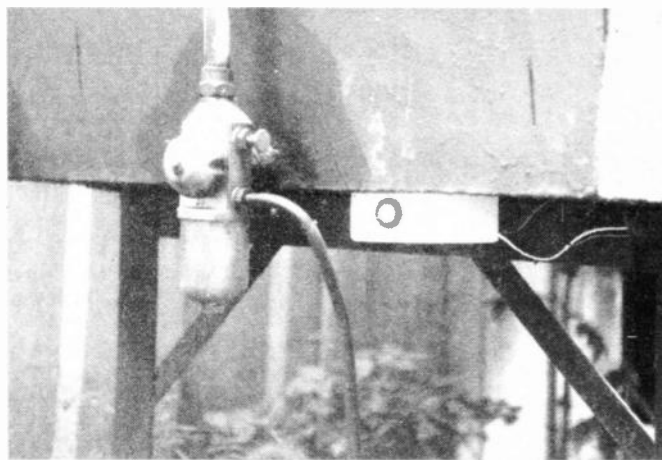


Fig. 6 (above). Suggested method of mounting the external Reset box beneath the oil tank.

Fig. 5 (left). End view of warning unit showing order of assembling the p.c.b. in case and mounting on wall. This unit must be located indoors.



Interior close-up of the alarm case showing the fuse protective cover and a piece of p.v.c. tape stuck across the mains input terminal block.



Close-up view of the oil tank showing the Reset button and associated case mounted slightly under the tank to protect it from the weather.

Try all the combinations of d.i.l. switch positions in between these extremes to check that all the switches work and to get a feel of how the circuit operates. This is also a good time to listen to the volume of the loudspeaker and to judge whether or not you would like to alter it by changing the value of capacitor C6.

Now, replace the original timing capacitor and resistor and set all the d.i.l. switches, apart from S2(1), to their "off" positions. Power up the circuit, making a careful note of the time. Now wait for the alarm to sound. When this happens note the time interval between power-up and the onset of the alarm.

This interval represents one clock cycle using the values of $1000\mu\text{F}$ and $10\text{M}\Omega$. It is now a simple mathematical task to work out the time interval you personally require between each alarm going off. Set the d.i.l. switches accordingly.

On the prototype, a single clock cycle was timed at three hours. Multiplying three hours by 255 (the maximum count of the $\mu\text{A}2240$) gives us a total of 765 hours. Dividing 765 by 24 (hours in a day), works out to approximately 31 days (one month) between alarm cycles.

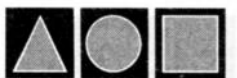
If you want to work out the timing more accurately, ignore the first clock cycle after power up. This is always slightly different

owing to the initial settle down time, respecting capacitor charging current etc.

Any artwork you may feel like putting on the box can be accomplished by using rub down lettering. This is best done after all drilling has taken place but before mounting the loudspeaker and l.e.d.

The project is now complete and the only thing left to do, is to mount the project on a suitable wall and plug it into a mains socket that is unlikely to be needed at any other time. It may be worth using a black felt tip pen to mark the 13A plug top with the words "Oil Alarm - Do Not Remove" in case someone forgets what the plug is being used for after many weeks.

BTEC approved
TUTOR supported



NATIONAL
COLLEGE OF
TECHNOLOGY

DISTANCE LEARNING COURSES in:

Analogue and Digital Electronic
Circuits, Fibres & Opto-Electronics
Programmable Logic Controllers
Mechanics and Mechanisms

- Courses to suit *beginners* and those wishing to *update* their knowledge and practical skills
- Courses are delivered to the student as self-contained kits
- No travelling or college attendance is required
- Learning is at your own pace

For information contact:
NCT Enterprises
Barnfield Technology Centre
Enterprise Way, Luton LU3 4BU
Telephone 01582 569757 • Fax 01582 492928

TRANSMITTERS

NEW

Fully comprehensive guide to building and using short/medium range radio transmitters and receivers. Includes detailed and practical information on all aspects of construction, from simple FM room transmitters to more sophisticated and powerful audio and data transceivers.



Manual includes:

- ▶ **AM, FM and UHF Transmitters** from micro power up to 3 Watts. Covers simple 'bugs' as well as circuits operating on 27MHz and 418MHz etc.
- ▶ **TRACKING AND SIGNALLING.** How to build micro circuits for finding animals, cars etc.
- ▶ **CRYSTAL CONTROLLED TRANSMITTERS.** High stability circuits.
- ▶ **RADIO PAGER AND RADIO CONTROL.** How to build coded radio keys, multi-channel remote controls, radio alarms etc.
- ▶ **RECEIVER CIRCUITS.** Wide range of receiver projects for building high security audio links and transceivers.
- ▶ **EXTENSIVE** assembly information. Includes sections on construction, testing, mics, aerials, coils and miniaturisation.

Over 100 detailed PCB, strip-board and point to point designs. Manual comes with **FREE** micro transmitter PCB.

(Some of the circuits included in the manual may not be used legally in the UK).



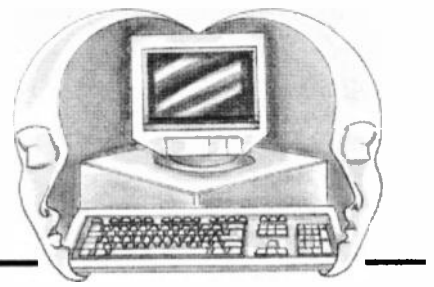
Make cheques/POs payable to
JCG ELECTRONICS
P.O. Box 73, YORK YO2 1YJ.
E-Mail: jcr115@york.ac.uk

£8.95
+ £1.00 p&p

Wide range of Audio/Radio kits available. Send stamp for list. Mail order only.

INTERFACE

Robert Penfold



A recent *Interface* article covered the subject of computer controlled signal generation. The method used was to control a v.c.o. (voltage controlled oscillator) via a digital-to-analogue converter (DAC).

This method is reasonably simple, and is well suited to some applications, but it does not offer the ultimate in frequency accuracy. Any non-linearity in the control characteristic of the v.c.o. causes frequency errors.

There are purely digital methods of frequency generation which produce output frequencies that are as accurate as the clock signal. The latter is usually crystal controlled, and has a very high degree of frequency accuracy.

Resolution

The most simple form of digital frequency generator consists of a clock oscillator followed by a divide by "N" counter. The division rate of the counter is controlled by the computer, and division by any integer value is possible.

A drawback of this simple system is that the resolution tends to be bad at high frequencies, and good at low frequencies. For example, suppose that a 1MHz clock signal is fed to a circuit that can divide by any integer value from two to 1000.

Divisions by two, three, and four provide output frequencies of 500kHz, 333kHz, and 250kHz. This gives quite a large jump from one frequency to the next. In contrast, divisions by 901 to 1000 provide one hundred frequencies from about 1kHz to about 1.1kHz, giving superb resolution. There is an increment of only about 1Hz from one frequency to the next.

Linear scaling would be preferable for many applications, and it is possible to achieve this if the divide by "N" circuit

is used in a frequency synthesiser based on a p.l.l. (phase-locked loop). This effectively inverts things, so that the output frequency is a multiple of a low clock frequency, rather than a division of a high clock frequency.

This type of frequency synthesis is relatively complex, but it can be achieved using inexpensive "off-the-shelf" components. It is a subject we will consider in more detail at a later date.

Few Options

Although one might expect to find numerous divide by "N" logic devices in component catalogues, there seem to be relatively few options. Most of the divide by "N" counters that are listed are not easily programmable, and do not appear to be intended for computer control.

There seems to be one exception, and this is the 74HC161 4-bit binary counter. The 74HC161 has the pinout configuration shown in Fig. 1, and it can be used as a simple programmable divide by "N" counter.

It has the usual clock input and four outputs (Q0 to Q3), but it additionally has four data inputs (D0 to D3). Together with other inputs and outputs, these can be used to set any integer division rate from two to 16.

The circuit resets itself once a certain binary value is reached, so that it can provide less than the full divide by 16 action associated with 4-bit binary division. The circuit diagram for a Simple Frequency Generator, which uses a divide by "N" counter based on a single 74HC161, is shown in Fig. 2.

Although IC1a and IC1b are NOR gates, in this circuit they are used as inverters in a crystal clock generator. This provides an accurate 2MHz output signal that is fed to the input of the

divide by "N" circuit based on IC2 and IC1c. An inversion is needed between the comparator output and the negative active preset enable input, and this inversion is provided by IC1c.

Unfortunately, setting the division rate is more convoluted than simply writing the required value for "N" to the data inputs (D0 to D3). Table 1 shows the division rates and output frequencies for the sixteen input codes to IC2.

Table 1. Division Rates and Output Frequencies

D0	D1	D2	D3	Div.	Frequency (kHz)
L	L	L	L	16	125
H	L	L	L	15	133·333
L	H	L	L	14	142·857
H	H	L	L	13	153·846
L	L	H	L	12	166·55
H	L	H	L	11	181·181
L	H	H	L	10	200
H	H	H	L	9	222·222
L	L	L	H	8	250
H	L	L	H	7	285·714
L	H	L	H	6	333·333
H	H	L	H	5	400
L	L	H	H	4	500
H	L	H	H	3	666·666
L	H	H	H	2	1000 (1MHz)
H	H	H	H	-	-

If the data inputs, of IC2 are controlled via inverters, the division rate is one more than the value written to the port. Without a hardware inversion, a software inversion is required.

This is actually quite easy, and it is just a matter of deducting the required division rate from 16 (e.g. for a division rate of 4 a value of 12 is written to IC2). Note that the minimum division rate is 2, and that writing a value of 15 to IC2 will not give a division by one.

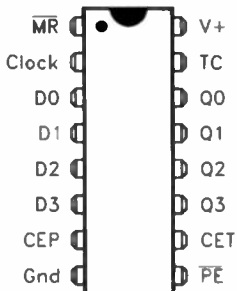


Fig. 1. Pinout details for the 74HC161 binary counter.

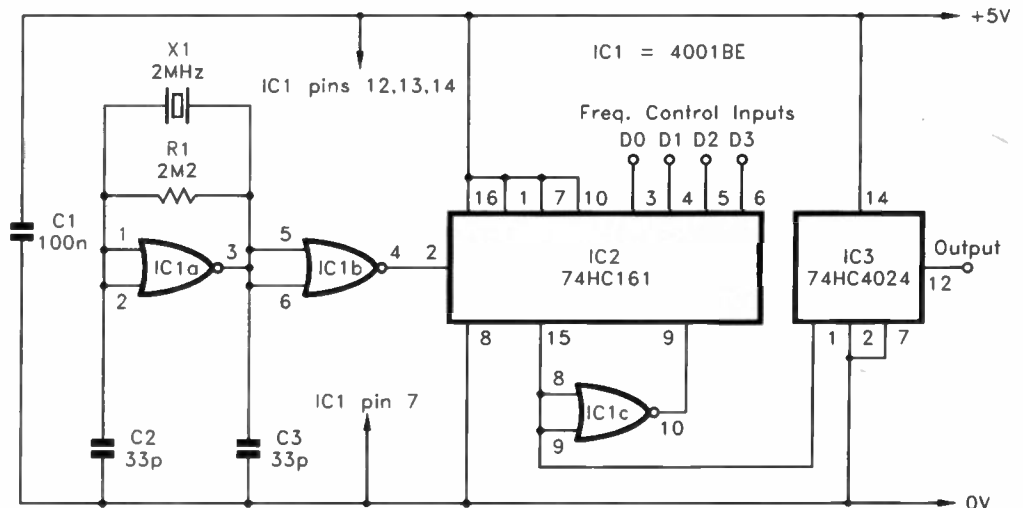


Fig. 2. Circuit diagram for a Simple Frequency Generator using the 74HC161.

Setting all four data inputs high switches off the output signal. This is potentially useful, as it provides an easy way of switching the output signal on and off under software control.

Waveforms

The mark-space ratio of the output signal depends on the division rate. The waveforms of Fig. 3 help to explain the way in which the output waveform varies. The waveform in (a) represents the clock signal, while (b) shows the output signal with a division by two. This gives a squarewave output having a 1-to-1 mark-space ratio.

The waveform of (c) is the output signal with a division rate of four. The output signal is positive for one clock cycle, and is always positive for one clock cycle regardless of the division rate. This gives a 1-to-3 mark-space ratio with a division by four, and a 1-to-15 ratio with a division by 16.

This changing mark-space ratio is not of importance in all applications, but it can make the circuit unsuitable in some instances. In particular, some phase-locked loops will not work properly with an input signal that is well removed from a squarewave.

The easy solution is to feed the output signal into a divide-by-two circuit. This is the purpose of IC3 in Fig. 2. The output of IC3 is toggled by each pulse from IC2, and has an accurate 1-to-1 mark-space ratio regardless of the division rate through IC2. Of course, including IC3 doubles the division rates and halves the output frequencies.

Bigger Divisions

Unfortunately, adding two 74HC161 circuits in series does not produce a true 8-bit divide by "N" counter. This is due to the fact that the minimum division is by two and not by one.

It is possible to produce an 8-bit divide by "N" counter of sorts by using two 74HC161s in the circuit arrangement shown in Fig. 4. This is not quite a true 8-bit counter as its division range is from two to 241, rather than one to 255. With this circuit it is acceptable to have all four inputs of IC1 high, and this will not block the output signal.

However, it is not acceptable to have all four inputs of IC2 high, because this

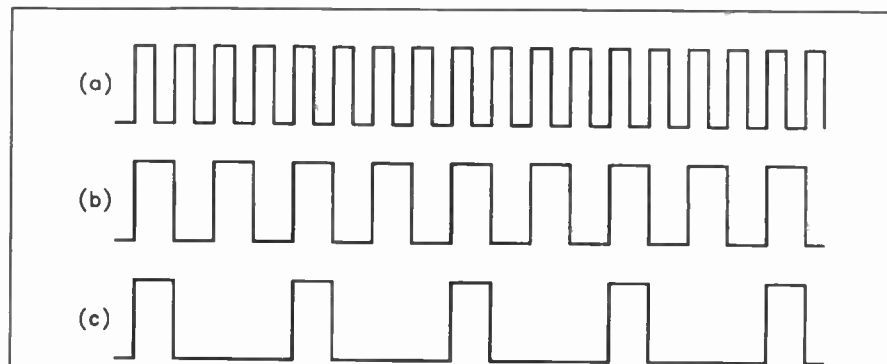


Fig. 3. Output waveforms for the 74HC161. Waveform (a) represents the clock signal, (b) division rate by two and (c) division rate by four.

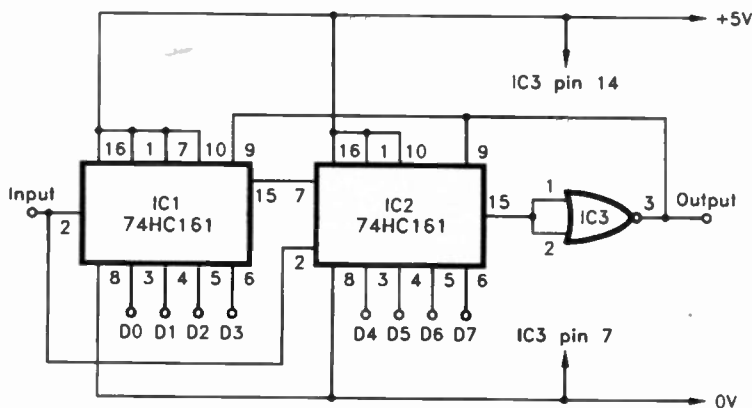


Fig. 4. Circuit diagram for an (almost) 8-bit programmable divider using two 74HC161s.

will block the output signal. In binary the highest acceptable input value is therefore 11101111 (239 decimal, EF in hexadecimal). This gives a divide by two action.

The division rate is equal to 256, minus an offset of 15, minus the value written to the eight inputs. This can obviously be simplified to 241 minus the value written to the circuit's control inputs. Thus, a control value of 239 gives the minimum division rate of two ($241 - 239 = 2$), and a control value of 0 gives the maximum division rate of 241 ($241 - 0 = 241$).

To find the value required to produce a given division rate, simply deduct the required division rate from 241. For

example, a division by 100 would require a value of 141 to be written to the port ($241 - 100 = 141$).

The obvious next step is to add a third stage using the same basic configuration of Fig. 4. Unfortunately, this does not seem to give the desired result, but a two stage circuit covering a division range of over 100 to 1 is adequate for many purposes.

Of course, these divider circuits are not restricted to computer control, and they are useful for applications that require unusual division rates. It is just a matter of hard wiring the control inputs with the appropriate binary code for the required division rate.

Most advertisements are legal, decent, honest and truthful. A few are not, and, like you, we want them stopped.

If you would like to know more about how to make complaints, please send for our booklet: 'The Do's and Don'ts of Complaining'. It's free.

The Advertising Standards Authority.

We're here to put it right. ✓

ASA Ltd., Dept. Z., Brook House, Torrington Place, London WC1E 7HN.

This space is donated in the interests of high standards of advertising.

TEST EQUIPMENT SPECIAL OFFER

1GHz Frequency Counter



- (offer valid while stocks lasts)
- Δ CHA 1Hz-100MHz, CHB 70MHz-1GHz
 - Δ Display 8 digit LED with annunciators
 - Δ Input impedance CHA 1MΩ & CHB 50Ω
 - Δ 4 gate times per channel
 - Δ Accuracy $\pm(1\text{Hz} + 1 \text{dig} + \text{timebase err})$
 - Δ Data hold function
 - Δ 1GHz Freq counter £175.00 £129.00

All equipment is supplied new, complete with mains lead, operating manual and 1 year guarantee. Prices include VAT and free delivery, phone for complete list.

MX180	3½ digit, 20 range, digital multimeter	£28.00	£14.95
DM9092	3¾ digit, auto range, digital multimeter	£81.00	£49.00
DM9023	3½ digit, capacitance meter 200pF-20mF	£81.00	£49.00
FC1300	1.3GHz hand held 8 dig LCD freq counter	£139.83	£89.00
H6000	Function generator 0.1Hz - 10MHz	£198.58	£149.00
PR363A	Kenwood 0-36V 0-3A psu with 2 displays	£352.20	£149.00
CS4125	Kenwood 20MHz 2 channel oscilloscope	£468.83	£379.00

VANN DRAPER ELECTRONICS LTD. Tel (0116) 2771400 Fax (0116) 2773945
Unit 5, Premier Works, Canal Street, South Wigston, Leicester LE18 2PL

DIRECT BOOK SERVICE

Circuits and Design

PRACTICAL ELECTRONIC FILTERS

Owen Bishop
This book deals with the subject in a non-mathematical way. It reviews the main types of filter, explaining in simple terms how each type works and how it is used.

The book also presents a dozen filter-based projects with applications in and around the home or in the constructor's workshop. These include a number of audio projects such as a rhythm sequencer and a multi-voiced electronic organ.

Concluding the book is a practical step-by-step guide to designing simple filters for a wide range of purposes, with circuit diagrams and worked examples.
88 pages **Temporarily out of print**

ELECTRONIC ALARM CIRCUITS MANUAL

R. M. Marston
One hundred and forty useful alarm circuits, of a variety of types, are shown in this volume. The operating principle of each one is explained in concise but comprehensive terms, and brief construction notes are given where necessary.

Aimed at the practical design engineer, technician and experimenter, as well as the electronics student and amateur.
124 pages **Order code NE11** **£13.95**

DIGITAL GATES AND FLIP-FLOPS

Ian R. Sinclair
This book, intended for enthusiasts, students and technicians, seeks to establish a firm foundation in digital electronics by treating the topics of gates and flip-flops thoroughly and from the beginning.

Topics such as Boolean algebra and Karnaugh mapping are explained, demonstrated and used extensively, and more attention is paid to the subject of synchronous counters than to the simple but less important ripple counters.

No background other than a basic knowledge of electronics is assumed, and the more theoretical topics are explained from the beginning, as also are many working practices. The book concludes with an explanation of microprocessor techniques as applied to digital logic.
200 pages **Order code PC105** **£8.95**

The books listed have been selected by *Everyday Practical Electronics* editorial staff as being of special interest to everyone involved in electronics and computing. They are supplied by mail order to your door. Full ordering details are given on the last book page.

FOR ANOTHER SELECTION OF BOOKS SEE NEXT MONTH'S ISSUE.

Note our UK postage costs just £1.50 no matter how many books you order!

A BEGINNER'S GUIDE TO TTL DIGITAL ICs

R. A. Penfold
This book first covers the basics of simple logic circuits in general, and then progresses to specific TTL logic integrated circuits. The devices covered include gates, oscillators, timers, flip/flops, dividers, and decoder circuits. Some practical circuits are used to illustrate the use of TTL devices in the "real world".
142 pages **Order code BP332** **£4.95**

BOOK 2

The circuits covered are mainly concerned with signal generation, power supplies, and digital electronics.
192 pages **Order code BP322** **£4.95**

A BEGINNER'S GUIDE TO MODERN ELECTRONIC COMPONENTS

R. A. Penfold
The purpose of this book is to provide practical information to help the reader sort out the bewildering array of components currently on offer. An advanced knowledge of the theory of electronics is not needed, and this book is not intended to be a course in electronic theory. The main aim is to explain the differences between components of the same basic type (e.g. carbon, carbon film, metal film, and wire-wound resistors) so that the right component for a given application can be selected. A wide range of components are included, with the emphasis firmly on those components that are used a great deal in projects for the home constructor.
166 pages **Temporarily out of print**

ELECTRONICS-BUILD AND LEARN

R. A. Penfold
The first chapter gives full constructional details of a circuit demonstrator unit that is used in subsequent chapters to introduce common electronic components - resistors, capacitors, transformers, diodes, transistors, thyristors, fets and op.amps. Later chapters go on to describe how these components are built up into useful circuits, oscillators, multivibrators, bistables and logic circuits.

At every stage in the book there are practical tests and experiments that you can carry out on the demonstrator unit to investigate the points described and to help you understand the principles involved. You will soon be able to go on to more complex circuits and tackle fault finding logically in other circuits you build.
120 pages **Order code PC103** **£6.95**

ELECTRONIC MODULES AND SYSTEMS FOR BEGINNERS

Owen Bishop
This book describes over 60 modular electronic circuits, how they work, how to build them, and how to use them. The modules may be wired together to make hundreds of different electronic systems, both analogue and digital. To show the reader how to begin building systems from modules, a selection of over 25 electronic systems are described in detail, covering such widely differing applications as timing, home security, measurement, audio (including a simple radio receiver), games and remote control.
200 pages **Order code BP266** **£3.95**

Computing

WINDOWS 95 EXPLAINED

P. R. M. Oliver and N. Kantaris
If you would like to get up and running, as soon as possible, with the new Windows 95 operating system, then this is the book for you.

The book was written with the non-expert, busy person in mind. It explains the hardware that you need in order to run Windows 95 successfully, and how to install and optimize your system's resources. It presents an overview of the Windows 95 environment.

Later chapters cover how to work with programs, folders and documents; how to control Windows 95 and use the many accessories that come with it; how to use DOS programs, and, if necessary, DOS commands and how to communicate with the rest of the electronic world.
170 pages **Order code BP400** **£5.95**

INTERFACING PCs AND COMPATIBLES

R. A. Penfold
Once you know how, PC interfacing is less involved than interfacing many eight-bit machines, which have tended to use some unusual interfacing methods.

This book gives you: A detailed description of the lines present on the PC expansion bus. A detailed discussion of the physical characteristics of PC expansion cards. The I/O map and details of the areas where your add-on can be fitted. A discussion of address decoding techniques. Practical address decoder circuits. Simple TTL 8-bit input and output ports. Details of using the 8255 parallel interface adaptor. Digital to analogue converter circuits. In fact everything you need to know in order to produce successful PC add-ons.
80 pages **Order code BP272** **£3.95**

SERVICING PERSONAL COMPUTERS - 3rd EDITION

Mike Tooley BA
The revised and enlarged third edition contains a new chapter on servicing 68000 based microcomputers. It has been updated throughout and includes many new photos and diagrams. It is essential for anyone concerned with the maintenance of personal computer equipment or peripherals, whether professional service technician, student or enthusiast.
240 pages **Order code NE15** **£25**



EASY PC INTERFACING

R. A. Penfold
Although the internal expansion slots of a PC provide full access to the computer's buses, and are suitable for full add-ons, making your own expansion cards requires a fair amount of expertise and equipment. The built-in ports provide what is often a much easier and hassle-free way of interfacing your own circuits to a PC. In particular, a PC printer port plus a small amount of external hardware provides a surprisingly versatile input/output port. The PC "games" port is less useful for general interfacing purposes, but it can be useful in some applications.

This book provides a number of useful PC add-on circuits including the following: Digital input/output ports; Analogue to digital converter; Digital-to-Analogue Converter; Voltage and current measurement circuits; Resistance meter; Capacitance meter; Temperature measurement interface; Biofeedback monitor; Constant voltage model train controller; Pulsed model train controllers; Position sensor (optical, Hall effect, etc.); Stepper motor interface; Relay and LED drivers; Triac mains switching interface.
179 pages **Order code BP385** **£4.95**

HOW TO EXPAND, MODERNISE AND REPAIR PCs AND COMPATIBLES (Revised Edition)

R. A. Penfold
Not only are PC and compatible computers very expandable, but before long most users actually wish to take advantage of that expandability and start upgrading their PC system. Some aspects of PC upgrading can be a bit confusing, but this book provides advice and guidance on the popular forms of internal PC expansion, and should help to make things reasonably straightforward and painless. Little knowledge of computing is assumed. The only assumption is that you can operate a standard PC of some kind (PC, PC XT, PC AT, or an 80386 based PC).

The subjects covered include: PC overview; Memory upgrades; Adding a hard disk drive; Adding a floppy disk drive; Display adaptors and monitors; Fitting a maths co-processor; Keyboards; Ports; Mice and digitisers; Maintenance (including preventative maintenance) and Repairs, and the increasingly popular subject of d.i.y. PCs.
156 pages **Order code BP271** **£5.95**

THE PRE-BASIC BOOK

F. A. Wilson, C.G.I.A., C.ENG., F.I.E.E., F.I.E.R.E., F.B.I.M.
Another book on BASIC but with a difference. This one does not skip through the whole of the subject and thereby leave many would-be programmers floundering but instead concentrates on introducing the technique by looking in depth at the most frequently used and more easily understood computer instructions. For all new and potential micro users.
192 pages **Order code BP146** **£2.95**



50 SIMPLE LED CIRCUITS

R. N. Soar
Contains 50 interesting and useful circuits and applications, covering many different branches of electronics, using one of the most inexpensive and freely available components - the light-emitting diode (LED). Also includes circuits for the 707 common anode display.
64 pages **Order code BP42** **£1.95**

BOOK 2 50 more i.e.d. circuits.

50 pages **Order code BP87** **£1.95**

CIRCUIT SOURCE BOOK 1

A. Penfold
Written to help you create and experiment with your own electronic designs by combining and using the various standard "building block" circuits provided. Where applicable, advice on how to alter the circuit parameters is given.

The circuits covered in this book are mainly concerned with analogue signal processing and include: Audio amplifiers (op.amp and bipolar transistors); audio power amplifiers; d.c. amplifiers; highpass, lowpass, bandpass and notch filters; tone controls; voltage controlled amplifiers and filters; triggers and voltage comparators; gates and electronic switching; bargraphs; mixers; phase shifters, current mirrors, hold circuits, etc.

Over 150 circuits are provided, which it is hoped will be useful to all those involved in circuit design and application, be they professionals, students or hobbyists.
182 pages **Temporarily out of print**

HOW TO USE OPAMPS

E. A. Parr
This book has been written as a designer's guide covering many operational amplifiers, serving both as a source book of circuits and a reference book for design calculations. The approach has been made as non-mathematical as possible.
160 pages **Order code BP88** **£3.99**

Testing, Theory, Data and Reference

TRANSISTOR DATA TABLES

Hans-Günther Steidle

The tables in this book contain information about the package shape, pin connections and basic electrical data for each of the many thousands of transistors listed. The data includes maximum reverse voltage, forward current and power dissipation, current gain and forward transmittance and resistance, cut-off frequency and details of applications.

A book of this size is of necessity restricted in its scope, and the individual transistor types cannot therefore be described in the sort of detail that maybe found in some larger and considerably more expensive data books. However, the list of manufacturers' addresses will make it easier for the prospective user to obtain further information, if necessary. Lists over 8,000 different transistors, including f.e.t.s.

200 pages **Order code BP401** £5.95

ELECTRONIC TEST EQUIPMENT HANDBOOK

Steve Mincey

The principles of operation of the various types of test instrument are explained in simple terms with a minimum of mathematical analysis. The book covers analogue and digital meters, bridges, oscilloscopes, signal generators, counters, timers and frequency measurement. The practical uses of the instruments are also explained.

Everything from Oscillators, through R, C & L measurements (and much more) to Waveform Generators and testing Zeners.

206 pages **Order code PC109** £8.95

GETTING THE MOST FROM YOUR MULTIMETER

R. A. Penfold

This book is primarily aimed at beginners and those of limited experience of electronics. Chapter 1 covers the basics of analogue and digital multimeters, discussing the relative merits and the limitations of the two types. In Chapter 2 various methods of component checking are described, including tests for transistors, thyristors, resistors, capacitors and diodes. Circuit testing is covered in Chapter 3, with subjects such as voltage, current and continuity checks being discussed.

In the main little or no previous knowledge or experience is assumed. Using these simple component and circuit testing techniques the reader should be able to confidently tackle servicing of most electronic projects.

96 pages **Order code BP239** £2.95

MORE ADVANCED USES OF THE MULTIMETER

R. A. Penfold

This book is primarily intended as a follow-up to BP239, (see below), and should also be of value to anyone who already understands the basics of voltage testing and simple component testing. By using the techniques described in Chapter 1 you can test and analyse the performance of a range of components with just a multimeter (plus a very few inexpensive components in some cases). Some useful quick check methods are also covered.

While a multimeter is supremely versatile, it does have its limitations. The simple add-ons described in Chapter 2 extended the capabilities of a multimeter to make it even more useful.

84 pages **Order code BP265** £2.95

NEWNES ELECTRONICS TOOLKIT

Geoff Phillips

The author has used his 30 years experience in industry to draw together the basic information that is constantly demanded. Facts, formulae, data and charts are presented to help the engineer when designing, developing, evaluating, fault finding and repairing electronic circuits. The result is this handy workmate volume: a memory aid, tutor and reference source which is recommended to all electronics engineers, students and technicians.

Have you ever wished for a concise and comprehensive guide to electronics concepts and rules of thumb? Have you ever been unable to source a component, or choose between two alternatives for a particular application? How much time do you spend searching for basic facts or manufacturer's specifications? This book is the answer, it covers resistors, capacitors, inductors, semiconductors, logic circuits, EMC, audio, electronics and music, telephones, electronics in lighting, thermal considerations, connections, reference data.

158 pages **Order code NE20** £12.95

INTERNATIONAL TRANSISTOR EQUIVALENTS GUIDE

A. Michaels

Helps the reader to find possible substitutes for a popular selection of European, American and Japanese transistors. Also shows material type, polarity, manufacturer and use.

320 pages **Order code BP85** £3.95

A REFERENCE GUIDE TO PRACTICAL ELECTRONICS TERMS

F. A. Wilson

C.G.I.A., C.Eng., F.I.E.E., F.I. Mgt.
Electronic devices surround us on all sides and their numbers are increasing without mercy. Ours is the problem therefore in keeping up with this relentless expansion. Unfortunately we cannot know it all and most of us do not wish to afford the cost of large reference books which explain many concepts in fair detail. Here is an answer, an inexpensive reference guide which explains briefly (but we hope, well) many of the underlying electronics features of practical devices, most of which, to a certain extent, control our lives.

This book is in effect more than just a dictionary of practical electronics terms, it goes a stage further in also getting down to fundamentals. Accordingly the number of

terms may be limited but the explanations of the many which are included are designed to leave the reader more competent and satisfied - and this is without the use of complicated mathematics.

For those who also wish to get right down to the root of the matter, there is a second volume entitled *A Reference Guide to Basic Electronics Terms* (BP286), each of the books referring to its companion as necessary.

A reference guide for practically everybody concerned with electronics.

432 pages **Order code BP287** £5.95

BASIC ELECTRONICS TERMS

472 pages **Order code BP286** £5.95

PRACTICAL ELECTRONICS CALCULATIONS AND FORMULAE

F. A. Wilson, C.G.I.A., C.Eng., F.I.E.E., F.I.E.R.E., F.B.I.M.

Bridges the gap between complicated technical theory, and "cut-and-try" methods which may bring success in design but leave the experimenter unfulfilled. A strong practical bias - tedious and higher mathematics have been avoided where possible and many tables have been included.

The book is divided into six basic sections: Units and Constants, Direct-Current Circuits, Passive Components, Alternating-Current Circuits, Networks and Theorems, Measurements.

256 pages **Order code BP53** £3.95

PRACTICAL ELECTRONIC FAULT FINDING AND TROUBLESHOOTING

Robin Pain

Simple circuit examples are used to illustrate principles and concepts fundamental to the process of fault finding. This is not a book of theory. It is a book of practical tips, hints, and rules of thumb, all of which will equip the reader to tackle any job. You may be an engineer or technician in search of information and guidance, a college student, a hobbyist building a project from a magazine, or simply a keen self-taught amateur who is interested in electronic fault finding but finds books on the subject too mathematical or specialized. But you have one thing lacking, no fault finding strategy.

The book covers: Basics - Voltage, current and resistance; Capacitance, inductance and impedance; Diodes and transistors; Op-amps and negative feedback; Fault finding - Analogue fault finding, Digital fault finding; Memory; Binary and hexadecimal; Addressing; Discrete logic; Microprocessor action; I/O control; CRT control;

183 pages **Order code BP376** £4.95

ELECTRONIC PROJECTS FOR EXPERIMENTERS

R. A. Penfold

Many electronic hobbyists who have been pursuing their hobby for a number of years seem to suffer from the dreaded "seen it all before" syndrome. This book is fairly and squarely aimed at sufferers of this complaint, plus any other electronics enthusiasts who yearn to try something a bit different. No doubt many of the projects featured here have practical applications, but they are all worth a try for their interest value alone.

The subjects covered include: Magnetic field detector, Basic Hall effect compass, Hall effect audio isolator, Voice scrambler/descrambler, Bat detector, Bat style echo location, Noise cancelling, LED stroboscope, Infra-red "torch", Electronic breeze detector, Class D power amplifier, Strain gauge amplifier, Super hearing aid.

138 pages **Order code BP371** £4.95

PRACTICAL FIBRE-OPTIC PROJECTS

R. A. Penfold

While fibre-optic cables may have potential advantages over ordinary electric cables, for the electronics enthusiast it is probably their novelty value that makes them worthy of exploration. Fibre-optic cables provide an innovative interesting alternative to electric cables, but in most cases they also represent a practical approach to the problem. This book provides a number of tried and tested circuits for projects that utilize fibre-optic cables.

The projects include: Simple audio links, F.M. audio link, P.W.M. audio links, Simple d.c. links, P.W.M. d.c. link, P.W.M. motor speed control, RS232C data links, MIDI link, Loop alarms, R.P.M. meter.

All the components used in these designs are readily available, none of them require the constructor to take out a second mortgage.

132 pages **Order code BP374** £4.95

ELECTRONIC PROJECT BUILDING FOR BEGINNERS

R. A. Penfold

This book is for complete beginners to electronic project building. It provides a complete introduction to the practical side of this fascinating hobby, including:

Component identification, and buying the right parts; resistor colour codes, capacitor value markings, etc; advice on buying the right tools for the job; soldering; making easy work of the hard wiring; construction methods, including stripboard, custom printed circuit boards, plain matrix boards, surface mount boards and wire-wrapping; finishing off, and adding panel labels; getting "problem" projects to work, including simple methods of fault-finding.

In fact everything you need to know in order to get started in this absorbing and creative hobby.

135 pages **Order code BP392** £4.95

45 SIMPLE ELECTRONIC TERMINAL BLOCK PROJECTS

R. Bebbington

Contains 45 easy-to-build electronic projects that can be constructed, by an absolute beginner, on terminal blocks using only a screwdriver and other simple hand tools. No soldering is needed.

Most of the projects can be simply screwed together, by following the layout diagrams, in a matter of minutes and readily unscrewed if desired to make new circuits. A theoretical circuit diagram is also included with each project to help broaden the constructor's knowledge.

The projects included in this book cover a wide range of interests under the chapter headings: Connections and

Dynamic RAM; Fault finding digital systems; Dual trace oscilloscope; IC replacement.

274 pages **Order code NE22** £18.95

AN INTRODUCTION TO LIGHT IN ELECTRONICS

F. A. Wilson

This book is not for the expert but neither is it for the completely uninitiated. It is assumed the reader has some basic knowledge of electronics. After dealing with subjects like Fundamentals, Waves and Particles and The Nature of Light such things as Emitters, Detectors and Displays are discussed. Chapter 7 details four different types of Lasers before concluding with a chapter on Fibre Optics.

161 pages **Order code BP359** £4.95

PRACTICAL ELECTRONIC DESIGN DATA

Owen Bishop

This book is a comprehensive ready-reference manual for electronics enthusiasts of all levels, be they hobbyists, students or professionals. A helpful major section covers the main kinds of component, including surface-mounted devices. For each sort, it lists the most useful and readily available types, complete with details of their electronic characteristics, pin-outs and other essential information.

Basic electronic units are defined, backed up by a compendium of the most often required formulae, fully explained. There are five more extensive sections devoted to circuit design, covering analogue, digital, radio, display, and power supply circuits. Over 150 practical circuit diagrams cover a broad range of functions.

328 pages **Order code BP316** £5.99

UNDERSTANDING DIGITAL TECHNOLOGY

F. A. Wilson, C.G.I.A., C.Eng., F.I.E.E., F.I. Mgt.

This book examines what digital technology has to offer and then considers its arithmetic and how it can be arranged for making decisions in so many processes. It then looks at the part digital has to play in the ever expanding Information Technology, especially in modern transmission systems and television. It avoids getting deeply involved in mathematics.

Various chapters cover: Digital Arithmetic, Electronic Logic, Conversions between Analogue and Digital Structures, Transmission Systems. Several Appendices explain some of the concepts more fully and a glossary of terms is included. Altogether a useful foray into the digital world both for newcomers and also for those who need some revision or updating.

183 pages **Order code BP376** £4.95

Project Building

ELECTRONIC PROJECTS FOR EXPERIMENTERS

R. A. Penfold

Many electronic hobbyists who have been pursuing their hobby for a number of years seem to suffer from the dreaded "seen it all before" syndrome. This book is fairly and squarely aimed at sufferers of this complaint, plus any other electronics enthusiasts who yearn to try something a bit different. No doubt many of the projects featured here have practical applications, but they are all worth a try for their interest value alone.

The subjects covered include: Magnetic field detector, Basic Hall effect compass, Hall effect audio isolator, Voice scrambler/descrambler, Bat detector, Bat style echo location, Noise cancelling, LED stroboscope, Infra-red "torch", Electronic breeze detector, Class D power amplifier, Strain gauge amplifier, Super hearing aid.

138 pages **Order code BP371** £4.95

PRACTICAL FIBRE-OPTIC PROJECTS

R. A. Penfold

While fibre-optic cables may have potential advantages over ordinary electric cables, for the electronics enthusiast it is probably their novelty value that makes them worthy of exploration. Fibre-optic cables provide an innovative interesting alternative to electric cables, but in most cases they also represent a practical approach to the problem. This book provides a number of tried and tested circuits for projects that utilize fibre-optic cables.

The projects include: Simple audio links, F.M. audio link, P.W.M. audio links, Simple d.c. links, P.W.M. d.c. link, P.W.M. motor speed control, RS232C data links, MIDI link, Loop alarms, R.P.M. meter.

All the components used in these designs are readily available, none of them require the constructor to take out a second mortgage.

132 pages **Order code BP374** £4.95

ELECTRONIC PROJECT BUILDING FOR BEGINNERS

R. A. Penfold

This book is for complete beginners to electronic project building. It provides a complete introduction to the practical side of this fascinating hobby, including:

Component identification, and buying the right parts; resistor colour codes, capacitor value markings, etc; advice on buying the right tools for the job; soldering; making easy work of the hard wiring; construction methods, including stripboard, custom printed circuit boards, plain matrix boards, surface mount boards and wire-wrapping; finishing off, and adding panel labels; getting "problem" projects to work, including simple methods of fault-finding.

In fact everything you need to know in order to get started in this absorbing and creative hobby.

135 pages **Order code BP392** £4.95

45 SIMPLE ELECTRONIC TERMINAL BLOCK PROJECTS

R. Bebbington

Contains 45 easy-to-build electronic projects that can be constructed, by an absolute beginner, on terminal blocks using only a screwdriver and other simple hand tools. No soldering is needed.

Most of the projects can be simply screwed together, by following the layout diagrams, in a matter of minutes and readily unscrewed if desired to make new circuits. A theoretical circuit diagram is also included with each project to help broaden the constructor's knowledge.

The projects included in this book cover a wide range of interests under the chapter headings: Connections and

Components, Sound and Music, Entertainment, Security Devices, Communication, Test and Measuring.

163 pages **Order code BP373** £4.95

30 SIMPLE IC TERMINAL BLOCK PROJECTS

R. Bebbington

Follow on from BP378 using ICs.

117 pages **Order code BP379** £4.99

HOW TO DESIGN AND MAKE YOUR OWN P.C.B.S

R. A. Penfold

Deals with the simple methods of copying printed circuit board designs from magazines and books and covers all aspects of simple p.c.b. construction including photographic methods and designing your own p.c.b.s.

80 pages **Order code BP121** £2.50

DIRECT BOOK SERVICE ORDERING DETAILS

Please state the title and order code clearly, print your name and address and add the required postage to the total order.

Our postage price is the same no matter how many books you order, just add £1.50 to your total order for postage and packing (overseas readers add £3 for countries in the EEC, or add £6 for all countries outside the EEC, surface mail postage) and send a PO, cheque, international money order (£ sterling only) made payable to **Direct Book Service** or credit card details (including card expiry date), Visa or Mastercard - minimum credit card order is £5 - quoting your name and address, the order code and quantities required to **DIRECT BOOK SERVICE, 33 GRAVEL HILL, MERLEY, WIMBORNE, DORSET BH21 1RW (mail order only).**

Although books are normally sent within seven days of receipt of your order, please allow a maximum of 28 days for delivery. Overseas readers allow extra time for surface mail post.

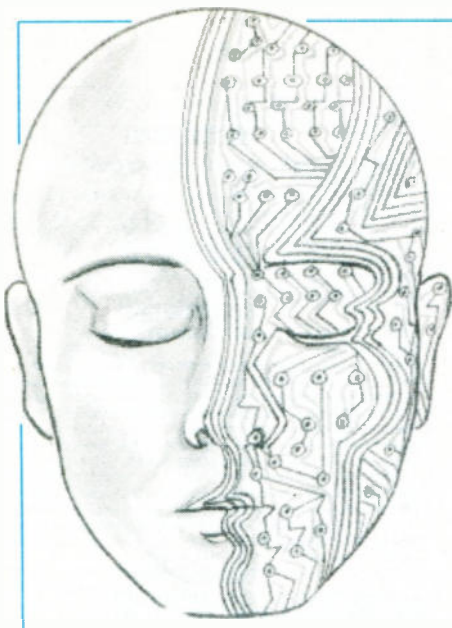
Please check price and availability (see latest issue of *Everyday Practical Electronics*) before ordering from old lists.

For a further selection of books see next month's issue.

DIRECT BOOK SERVICE IS A DIVISION OF WIMBORNE PUBLISHING LTD.

Tel 01202 881749 Fax 01202 841692

E-mail: editorial@epamag.wimborne.co.uk



INGENUITY UNLIMITED

Our regular round-up of readers' own circuits. We pay between £10 and £50 for all material published, depending on length and technical merit. We're looking for novel applications and circuit tips, not simply mechanical or electrical ideas. Ideas *must be the reader's own work and not have been submitted for publication elsewhere*. The circuits shown have NOT been proven by us. *Ingenuity Unlimited* is open to ALL abilities, but items for consideration in this column should preferably be typed or word-processed, with a brief circuit description (between 100 and 500 words) and full circuit diagram showing all relevant component values. **Please draw all circuit schematics as clearly as possible.**

Send your circuit ideas to: Alan Winstanley, *Ingenuity Unlimited*, Wimborne Publishing Ltd., Allen House, East Borough, Wimborne, Dorset BH21 1PF. They could earn you some real cash!

CMOS Audio Selector Circuit – Switched-On Sounds

THE circuit of Fig. 1 imitates the functions of a mechanically-interlocked switch bank, also allowing some unintentional functions such as pressing two or more switches on simultaneously, or cancelling a switch by "half pressing" another. It could be used to drive further logic control circuitry, including the 3-Input Stereo Selector switch shown in Fig. 2, for virtually noiseless selection of audio sources.

Each "switch" requires the circuit shown within the dotted line, and two switches can be formed from each pair of i.c.s. Pin numbers in brackets refer to the second half of each i.c. (not shown). The rest of the circuitry is common to all switches.

One half of IC2 forms a 22ms monostable which is triggered by closing switch S1. Resistors R3, R4 and capacitor C2 remove any noise and clean up the switch signal.

The positive-going edge of the pulse at pin4(10) clocks the D-type flip-flop IC3a; since the D input pin 5(9) is connected to the Q output pin 2(12), then without the reset circuitry of IC1, the Q output would toggle high/low on successive operations of S1. D1 and all the other D1 diodes in the other switch modules, form a diode-resistor OR gate which is commoned to the bus labelled "Reset Bus A".

However, IC3a is reset by the remaining circuitry via its reset pin 4(10). When

any pushbutton is operated, a positive pulse from IC2a output is fed via D1 to IC1a. A propagation delay is introduced by IC1a/b before IC1c and IC1d – an 84µs monostable – triggers. This ensures that the leading edge of the positive pulse at IC1d pin 3 occurs after the leading edge of the negative pulse at IC2b output.

Ignoring S2, this 84µs pulse is fed to "Reset Bus B". The reset pin of IC3a is fed by a diode-resistor AND gate (D2, D3, R6). Normally the reset pin is held high since the input via D2 is high, and that via D3 is low, hence the output of the AND gate is low.

When any push-switch is closed, every other switch receives a reset pulse (D2 input

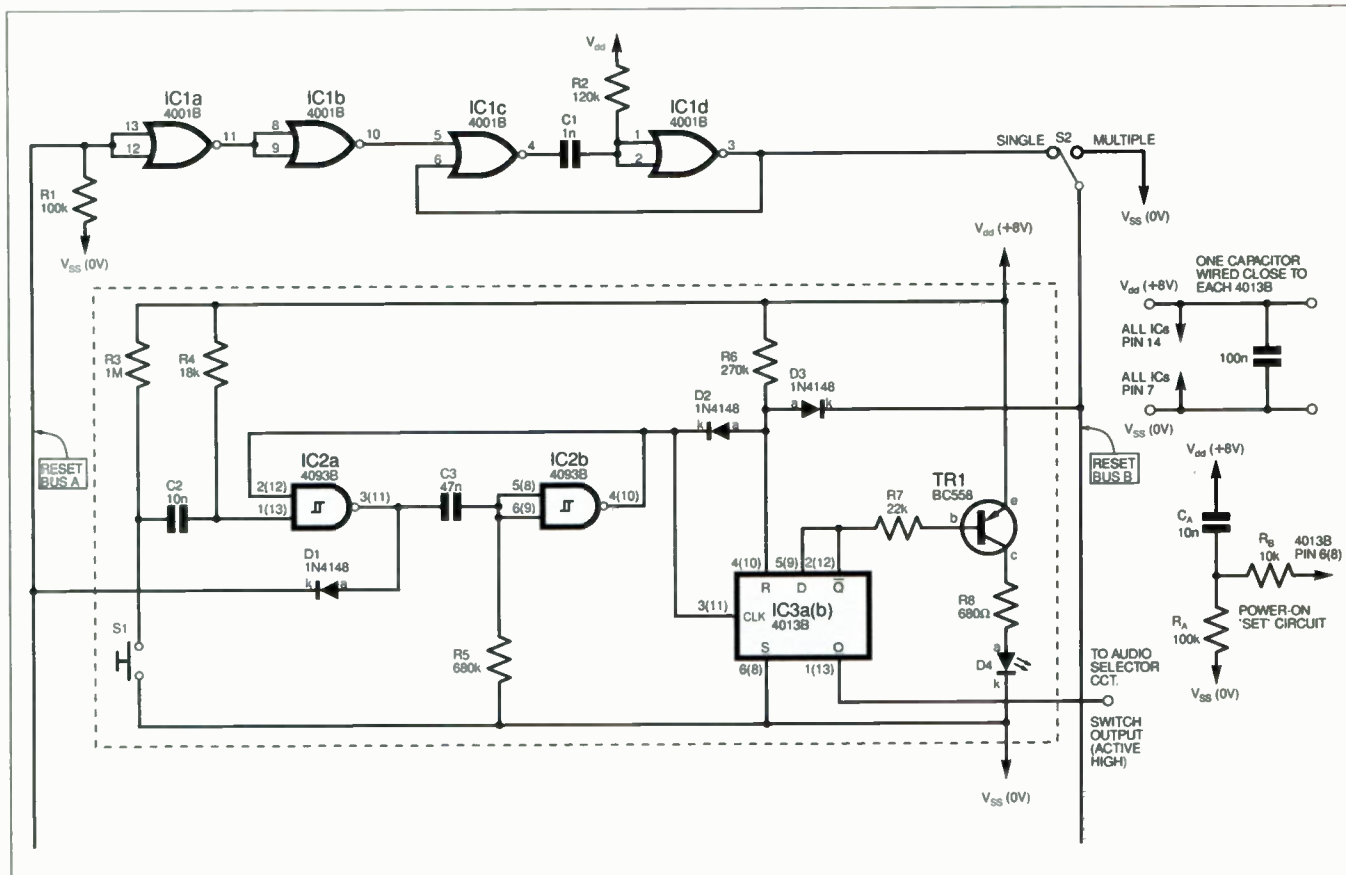


Fig. 1. Circuit diagram for the CMOS Audio Selector. Figures in brackets are pin numbers for the second identical circuit, see text.

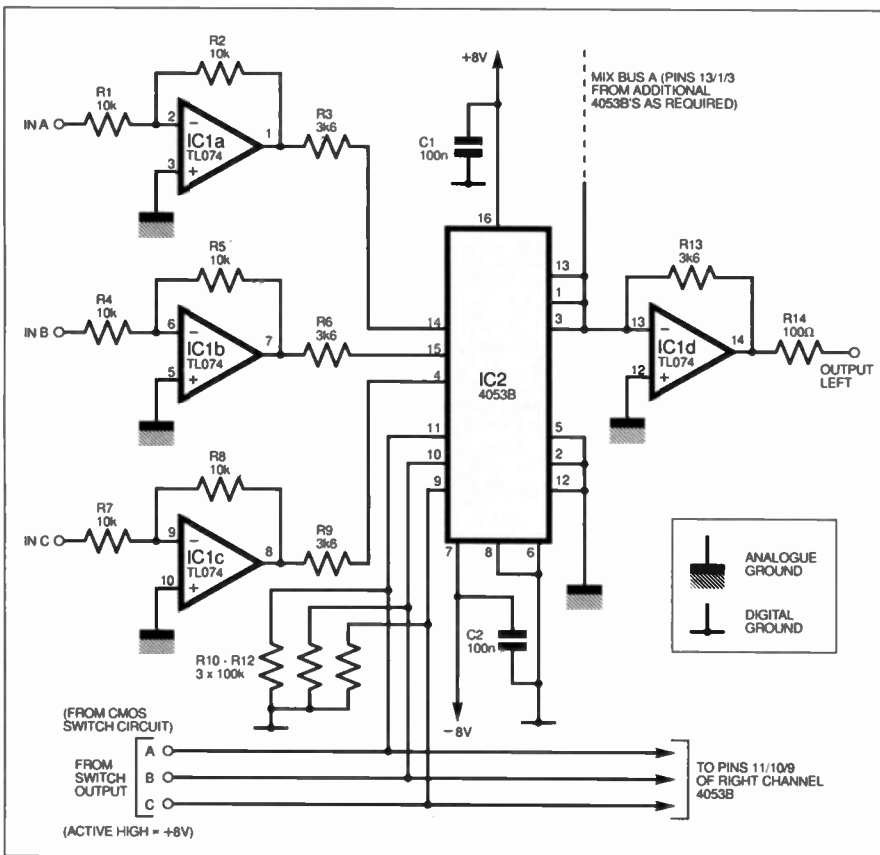


Fig. 2. Circuit diagram for the 3-Input-Stereo Selector. Only the left-channel is shown, the right channel is identical.

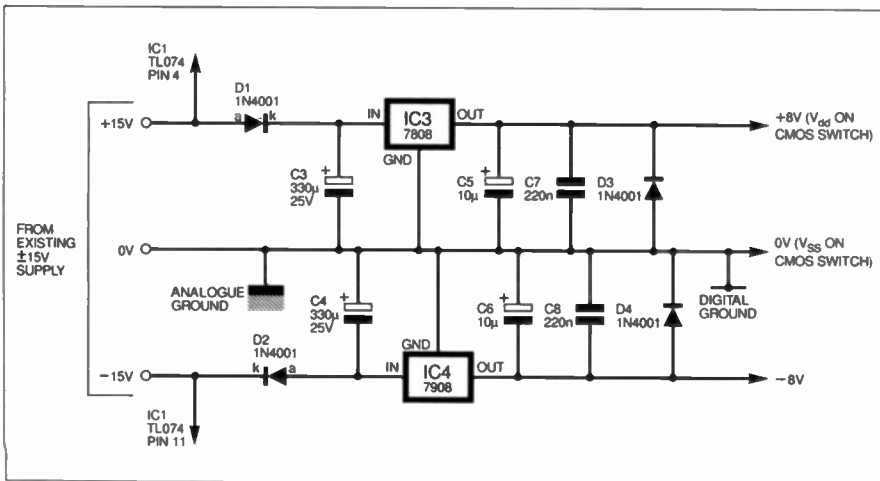
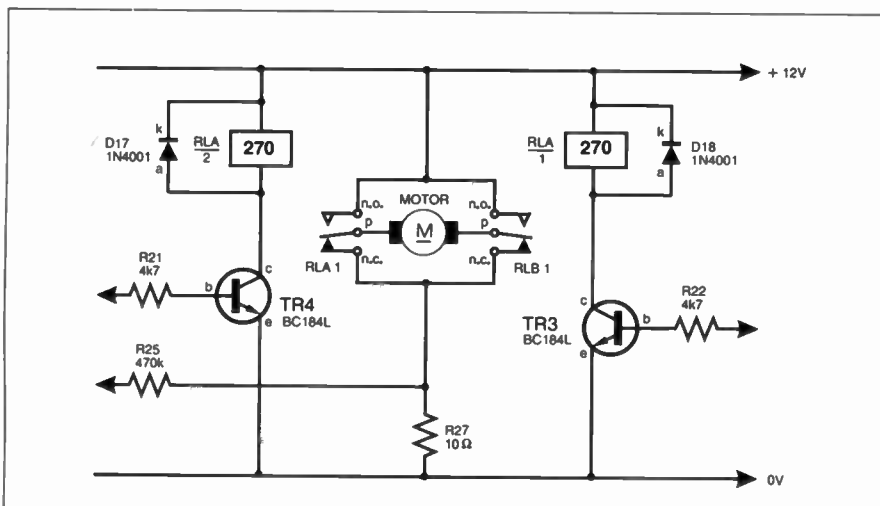


Fig. 3. The power supply circuit is designed to run from a 15V d.c. input and produces a stabilised +8V d.c. output.



high, D3 input low). On the switch pressed, the reset pulse is over-ridden since it occurs while the input to D2 is low, and thus the reset pin 4(10) stays low. This allows a switch to be toggled on/off. In theory it is possible to have at least 16 push-switches banked together.

Diode D4 is driven via transistor TR1 and in effect illuminates when the Q output is high. Switch S2 can be set to allow either one switch on, or multiple switches on, thereby allowing switched mixing of audio sources. The inset diagram shows how one switch can be hardwired with an RC network to be on at power up. The supply rail (+V_{dd}) can be anything from +5V to +16V d.c.

3-Input Stereo Selector

An extension to allow solid state selection of three audio sources is shown in Fig. 2. Each source is buffered by a TL074 op.amp (IC1a to IC1c). These have unity gain with the resistor values shown, but can be amended to suit. It is a good idea to raise all sources to CD player output levels which are usually 2V r.m.s. peak or just over +8dBu.

The respective outputs are fed to IC2, a 4053B triple 2-channel digital switch i.e., whose outputs are paralleled into IC1d. Wired as a unity-gain virtual earth mixer, the selected audio signal is seen at pin 14.

The control buses connected to pins 9 to 11 of IC2 are connected to the outputs derived from the CMOS switch circuit of Fig. 1, to provide an electronic and almost clickless means of selecting audio sources remotely (the pushbutton switches may be several metres away from the logic section).

Additional selector inputs can be wired via the "mix" bus shown. Note the digital and analogue ground buses which are shown in the power supply circuit illustrated separately (Fig. 3) which is designed to run from a 15V supply.

B.J. Taylor,
Rickmansworth,
Herts.

Motor Output Stage - Curtains For Transistors

THE Automatic Curtain Winder project (EPE, July 1995) uses four output transistors in a classic "H-bridge" configuration, to control a d.c. motor. Whilst this has the advantages of being quiet, reliable and very fast, I considered this to be outweighed by the fact that transistors introduce two collector-emitter voltage drops, which can be considerable in the case of, say, a TIP41A.

My alternative circuit, see Fig. 4, is to use two perfectly ordinary relays RLA and RLB with changeover contacts, in place of the four power transistors used in the original design. These are driven by the two BC184L transistors of the original circuit. Resistor R27 has been modified in value as shown.

The use of relay contacts ensure that the voltage drop is negligible: I have built this circuit and it has now been operating flawlessly for three months.

B. Clothier,
Oadby, Leics.

Fig. 4 (left). Circuit diagram for using relays to switch the Automatic Curtain Winder motor.



FREE 32 page full colour Computer Equipment Catalogue

with the Winter 96/97 Cirkit Catalogue

The Winter 96/97 Edition brings you:

- ▶ Even further additions to the Computer section extending our range of PC components and accessories at unbeatable prices.
- ▶ **WIN!** a 28,800 Fax Modem in our easy to enter competition.
- ▶ 100's of new products including; Books, Connectors, Entertainment, Test Equipment and Tools.
- ▶ New Speakers, Mixers and In-Car Amplifiers in the Entertainment section.
- ▶ £25 worth discount vouchers.
- ▶ 248 Page main Catalogue, plus 32 Page full Colour Computer Catalogue, incorporating 24 Sections and over 4000 Products from some of the Worlds Finest Manufacturers.
- ▶ Available at WH Smith, John Menzies and most large newsagents, or directly from Cirkit.
- ▶ **Get your copy today!**

£1.95
+ 30p p&p

Cirkit



Cirkit Distribution Ltd

Park Lane · Broxbourne · Hertfordshire · EN10 7NQ

Tel: 01992 448899 · Fax: 01992 471314

Email: mailorder@cirkit.co.uk

PCB SERVICE

Printed circuit boards for certain EPE constructional projects are available from the PCB Service, see list. These are fabricated in glass fibre, and are fully drilled and roller tinned. All prices include VAT and postage and packing. Add £1 per board for airmail outside of Europe. Remittances should be sent to The PCB Service, *Everyday Practical Electronics*, Allen House, East Borough, Wimborne, Dorset BH21 1PF. Tel: 01202 881749; Fax: 01202 841692 (NOTE, we cannot reply to orders or queries by Fax); E-mail: editorial@epemag.wimborne.co.uk. Cheques should be crossed and made payable to *Everyday Practical Electronics* (Payment in £ sterling only).

NOTE: While 95% of our boards are held in stock and are dispatched within seven days of receipt of order, please allow a maximum of 28 days for delivery - overseas readers allow extra if ordered by surface mail.

Back numbers or photostats of articles are available if required - see the *Back Issues* page for details.

Please check price and availability in the latest Issue.

Boards can only be supplied on a payment with order basis.

Special KNOCK DOWN SALE of PCBs.

We have a few p.c.b.s left from past projects these are being offered at the knock down price of £2.00 each - *no matter what size they are (some of these boards are worth over £15.00 each)* while stocks last. This price includes VAT and UK post - overseas orders please add 50p postage (or £1 per board for airmail postage).

£2.00
EACH
inc. VAT
and p&p

Audio Lead Tester 641; Hand Tally, main board 699 and display board 700; Modular Disco Lights - Masterlink 752 - Dimmer Interface 765; Knockerbox 775; Car Electric Window Enhancer, 821; Electronic Fire, 820; Electronic Snooker Scoreboard, 832; Bike Odometer (pair of boards), 836/7; Amstrad PCW A to D Converter (double-sided), 838; Linear Power Supply (double-sided), 844; 1W Stereo Amplifier, 851; Visual Doorbell, 863; CCD TV Camera - Control Board, 865; Telephone Ring Detector, 864; CCD TV Camera - Combined Video, Test & Ext Plug Boards, 866a/e - Frame Grab Control, 867; EPE SoundAC PC Sound Board, 868; Stereo Noise Gate 873; Capacitance/Inductance Meter 876; Digital Water Meter - Scaler, 878 - Counter/Display, 879; Microprocessor Smartswitch, 881; Microcontroller P.I. Treasure Hunter 882; Simple TENS Unit, 875; Advanced TENS Unit, 877; Timer, 874; Watering Wizard, 883; Simple NiCad Charger, 884; Stereo HiFi Controller - 1 Power Supply, 886 - Main Board, 887 - Expansion/Display Boards, (pair) 888.

Any of the above for just £2 each inc. VAT and p&p.

Back numbers or photostats of articles are available see the *Back Issues* page for details.

PROJECT TITLE	Order Code	Cost
Experimental Electronic Pipe Descaler AUG'93	839	£5.50
L.E.D. Matrix Message Display Unit MAY'94	(Special Offer Price)	
Boards 870, 871 ONLY	870/1	£13.00
Dancing Fountains - 1 Pre.amp AUG'94	889	£5.28
Pump Controller	890	£5.41
Filter	891	£5.23
6802 Microprocessor Development Board	894	£9.15
Dancing Fountains - 2 SEPT'94		
PC-Compatible Interface (double-sided)	892	£10.90
Seismograph - 1 Sensor/Filter	896	£6.23
Clock/Mixer	897	£5.87
3-Channel Lamp Controller	899	£8.17
Seismograph - 2 OCT'94		
PC-Compatible Interface (double-sided)	898	£10.72
Visual/Audio Guitar Tuner	900	£7.55
Hobby Power Supply	902	£5.00
Audio Auxplexer - Control Board	903	£7.72
Receiver	904	£6.24
Power Controller NOV'94	905	£4.99
1000V/500V Insulation Tester	906	£5.78
Active Guitar Tone Control	907	£4.50
TV Off-er (pair)	908/909	£7.25
Video Modules - 1 Simple Fader	910	£5.12
Improved Fader	911	£6.37
Video Enhancer	912	£5.15
Rodent Repeller DEC'94	913	£6.26
EPE Fruit Machine	914	£8.14
Video Modules -2 Horizontal Wiper	916	£6.23
Vertical Wiper	917	£6.35
4-Channel Audio Mixer	918	£6.20
Spacewriter Wand	921	£4.00
Universal Digital Code Lock	922	£6.25
Video Modules - 3 JAN'95		
Dynamic Noise Limiter	919	£5.92
System Mains Power Supply	920	£4.98
Magnetic Field Detector	923	£5.77
Model Railway Track Cleaner	924	£5.11
Moving Display Metronome	925	£6.24
The Ultimate Screen Saver FEB'95	927	£5.66
Foot-Operated Drill Controller	928	£5.73
Model Railway Signals	929	£5.96
12V 35W PA Amplifier	930	£12.25
Multi-Purpose Thermostat MAR'95	931	£6.30
Multi-Project PCB	932	£3.00
Sound-Activated Switch		

PROJECT TITLE	Order Code	Cost
Multi-Project PCB Light-Activated Switch Switch On/Off Timer Continuity Tester Auto Battery Charger * National Lottery Predictor	APR'95 932 934 935	£3.00 £5.36 £5.34
R.F. Signal Generator - R.F./Mod. Coil & Power Supply (pair)	MAY'95 936 937a/b	£6.48 £6.10
MIDI Pedal Club Vote Totaliser PIC-DATS Development System (double-sided p.t.h.)	938 939 940	£7.78 £6.05 £9.90
EPE HiFi Valve Amplifier - Phase splitter PIC-DATS 4 -channel Light Chaser	JUNE'95 941 942	£6.71 £7.90
HV Capacitor Reformer Ramp Generator Logic Board (double-sided p.t.h.) & Analogue board (pair)	JULY'95 943 944/5	£5.60 £32.00
Automatic Curtain Winder Windicator	946 947	£6.75 £4.10
Microcontrolled 3-Digit Timer IR Remote Control - Transmitter - Receiver Personal Practice Amplifier	AUG'95 933 948 949 950	£6.61 £5.76 £6.14 £6.09
Low-Range Ohmmeter Adaptor Simple Theremin Vandata Boot Control Unit Display Unit	SEPT'95 926 952 953 954	£5.55 £6.68 £10.52 £6.61
Sound Switch Multiple Project PCB Audio Sinewave Generator Treble Booster Infra-Red Controller/Alarm (2 boards required) Capacitor Check Ginormous VU Meter	OCT'95 915 932 955 956	£6.55 £3.00 £5.76 £9.31
Multiple Project PCB Video Enhancer - Current Tracer - Distortion Effects Unit Digital Delay Line 50Hz Field Meter Temperature Warning Alarm (Teach-In '96)	NOV'95 932 958 959 960	£3.00 £8.04 £8.32 £6.15
Stereo "Cordless" Headphones Transmitter Receiver * EPE Met Office - Sensor/Rainfall/Vane Spiral transparency free with above p.c.b. Light-Operated Switch Modular Alarm System (Teach-In '96) Audio Meter and Amplifier	DEC'95 961 962 963/965 966 967a/b 968	£8.04 £7.66 £11.33 £6.37 £7.12 £5.99
* EPE Met Office - Computer Interface (double-sided) Audio Signal Generator Mains Signalling Unit, Transmitter and Receiver Automatic Camera Panning (Teach-In '96) Printer Sharer	JAN'96 964 969 970/971 (pr) 972 973	£7.69 £6.58 £9.09 £6.63 £9.93
Analogue Frequency Meter Vari-Speed Dice (Teach-In '96) Mains Signalling Unit - 2 12V Capacitive PSU * PIC-Electric Meter - Sensor/PSU- Control/Display	FEB'96 957 974 975 977/978 (pr)	£6.70 £5.69 £6.07 £9.90
Multi-Purpose Mini Amplifier * PIC-Electric - Sensor/PSU - Control/Display High Current Stabilised Power Supply Mind Machine Mk III - Sound and Lights Infra-Zapper Transmitter/Receiver (Teach-In '96)	MAR'96 976 977/978 (pr) 979 980 981/982 (pr)	£6.12 £9.90 £6.62 £7.39 £8.01
Mind Machine Mk III - Programmer Bat Band Converter/B.F.O. Hearing Tester Event Counter (Teach-In '96)	APR'96 983 984a/b 985 986	£7.36 £5.80 £6.87 £8.39
B.F.O. and Bat Band Converter Versatile PIR Detector Alarm Mind machine Mk III - Tape Controller Midi Analyser Countdown Timer (Teach-In '96)	MAY'96 984a/b 988 989 992 993	£5.80 £6.76 £6.70 £6.74 £9.44
Sarah's Light Home Telephone Link * PulStar VU Display and Alarm	JUNE'96 996 997 (pr) 998 999	£7.17 £10.72 £6.60 £7.02
Ultra-Fast Frequency Generator and Counter - Oscillator/L.C.D. Driver Timed NiCad Charger Single-Station Radio 4 Tuner Twin-Beam Infra-Red Alarm - Transmitter/Receiver * Games Compendium	JULY'96 994/995 (pr) 100 101 102/103 (pr) 104	£12.72 £6.99 £7.02 £10.50 £6.09

PROJECT TITLE	Order Code	Cost
Mono "Cordless" Headphones - Transmitter/Receiver Component Analyser (double sided p.t.h.) Garden Mole-Ester Mobile Miser Bike Speedo	AUG'96 990/991 (pr) 105 106 107 108	£10.16 £12.18 £6.07 £6.36 £6.61
* PIC-Tock Pendulum Clock Power Check Analogue Delay/Flanger Draught Detector Simple Exposure Timer	SEPT'96 109 110 111 112 113	£6.31 £6.42 £7.95 £6.22 £6.63
Video Fade-to-White Direct Conversion 80m Receiver Vehicle Alert 10MHz Function Generator - Main Board - PSU	OCT'96 114 116 117 118 119	£6.98 £7.52 £6.55 £7.33 £5.39
Tuneable Scratch Filter * Central Heating Controller D.C. to D.C. Converters - Negative Supply Generator - Step-Down Regulator - Step-Up Regulator	NOV'96 115 120 122 123 124	£7.83 £7.85 £5.96 £6.01 £6.12
EPE Elysian Theremin (double-sided p.t.h.) * PIC Digital/Analogue Tachometer Stereo Cassette Recorder Playback/PSU Record/Erase	DEC'96 121 127 128 129	£22.00 £7.23 £7.94 £9.04
* Earth Resistivity Meter Current Gen. - Amp/Rect. Theremin MIDI/CV Interface (Double sided p.t.h.) Mains Failure Warning	JAN'97 131/132 (pr) 130 (set) 126	£12.70 £40.00 £6.77
Theremin MIDI/CV Interface (double-sided p.t.h.) Pacific Waves PsiCom Experimental Controller	FEB'97 130 (set) 136 137	£40.00 £9.00 £6.78
Oil Check Reminder Video Negative Viewer Tri-Colour NiCad Checker Dual-Output TENS Unit (plus Free TENS info')	MAR'97 125 135 138 139	£7.16 £6.75 £6.45 £7.20

EPE SOFTWARE

Software programs for the EPE projects marked above with an asterisk (*) are available altogether on a single 3.5 inch PC-compatible disk, or as needed via our Internet site. The same disk also contains the following additional software: Simple PIC16C84 Programmer (Feb '96), PIC Disassembler (unpublished). The disk (order as "PIC-disk") is available from the EPE PCB Service at £2.50 (UK) to cover our admin costs (the software itself is free). Overseas £3.10 surface mail, £4.10 airmail. Alternatively, the files can be downloaded free from our Internet FTP site: <ftp://ftp.epemag.wimborne.co.uk>.

EPE PRINTED CIRCUIT BOARD SERVICE

Order Code Project Quantity Price

Name.....

Address.....

I enclose payment of £.....(cheque/PO in £ sterling only) to:



Everyday
Practical Electronics



Access (MasterCard) or Visa No.
Minimum order for credit cards £5

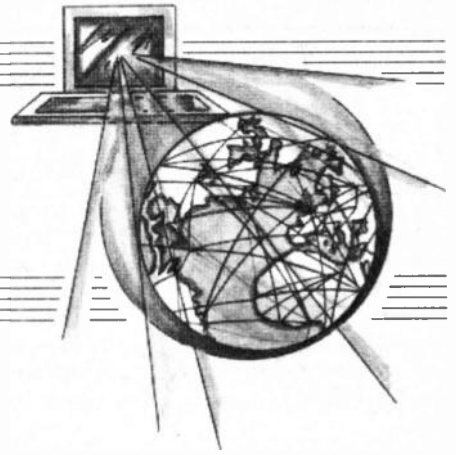
Signature.....Card Exp. Date.....

Please supply name and address of cardholder if different from the address shown

SURFING THE INTERNET

NET WORK

ALAN WINSTANLEY



REGULAR readers will be aware that we publish our *Own World Wide Web Site*, the URL of which is <http://www.epemag.wimborne.co.uk>. Here you can check on current issue details, also up to date Back Issue availability, and there is a nifty and very easy to use On-Line Back Issue Order Form too, which has met with considerable enthusiasm from Internet users.

What's New on the EPE Web Site

A new EPE web resource for TENS users has been on my drawing board for the past six months, and this material has been specially written for us by Julia Kidson, a chiropractor working in association with the Anglo-European College of Chiropractic, Bournemouth, the largest College of its type in Europe. We are sure that the extra background information it contains will help users of Andy Flind's latest TENS unit (see this issue) and back pain sufferers world-wide. Check the web site for the latest news.

Work progresses with an On-line Five Year Index, together with the Soldering FAQ – condensed from the series *Build Your Own Projects* (Nov '96 to Mar '97) – nearing their on-line debuts. Remember that you can obtain the very latest news of developments by checking our web page *What's Ahead on the EPE Web Site* ([./whatsahd.htm](http://www.epemag.wimborne.co.uk/whatsahd.htm)).

Also, of course, remember that all our available PIC source codes and more, are available by anonymous FTP from <ftp://ftp.epemag.wimborne.co.uk/pub/PICS>.

Internet Strangulation

Recently I took the plunge in my worklab and upgraded my modem to a 33-6Kbps (Kilobits per second) internal type, something I've been promising myself for months. In the true traditions of the computer industry, modem prices are starting to fall off a cliff and it's now possible to purchase a BT-approved 33-6Kbps fax modem in the UK for £65 + VAT, half the price of its 14-4Kbps predecessor I purchased two years ago.

At times, due to the worldwide bandwidth famine, I could be forgiven for thinking that I still had my former 14-4Kbps modem smouldering away in its expansion slot. (See *Net Work*, August 1996 for advice on choosing a modem to suit your PC.)

Be warned – there is simply nothing like the Internet for delivering the world's knowledge base to your doorstep, but the service delivered from around the planet is far from perfect, though it is improving all the time. Some major service providers including London's *Demon Internet Services* and *CompuServe* have clearly been embarrassed by demand in the past and to some extent are still playing catch-up, several years after popularising themselves in the UK.

With more than 200 Internet Service Providers now operating in the UK alone, there is much talk in the trade of an ISP shakedown, with smaller operators possibly being forced out or snapped up by larger players who will pay several hundred pounds per address for an ISP's customer base. The emerging Internet access market is still therefore very unstable.

My guess is that in coming years, smaller ISP's will earn their living by working on a more regionalised basis, helping local firms to establish a net presence of their own, maybe offering training and consultancy along with Internet installation and access, whilst the largest operators will live on their bulk connectivity and nationwide access networks, servicing both consumers and commerce.

To counter total strangulation of bandwidth, it is possible that "usage-based" rates could replace popular standard flat-rate fee pricing structures as a method of deterring bandwidth-hogging by casual users. One economic model speculates that this would probably be the most efficient way of improving slow download times suffered by WWW users.

Access speeds have risen dramatically over the past two years, with most UK service providers offering 28-8Kbps or 33-6Kbps access for dial-up users. Indeed, there is a danger of the imperfect Internet becoming almost routinely *usable*. Data transfer speeds are fast approaching the theoretical maximum which an ordinary copper telephone line can reliably handle, though the very latest "K56 Plus" 56Kbps modem technology is now emerging. (See <http://www.rockwell.com>.) In the meantime, I'm afraid we're all stuck with a variable state of the art in this still developing market.

Looking Ahead

Looking ahead to future *Net Work* features, I'll be concentrating on using the World Wide Web – what is it and how to use it. Regular readers might be interested to learn that the feature article "The Internet" (*EPE*, July 1996) was researched entirely using the Internet medium, nearly all of it in web form. Hence, I'll be describing "search engines" – how to get the best out of these web-based resources offering pointers to sites suited to a particular interest. Also, I'll describe "webmail" – if resources or your Internet access is limited, you can use ordinary E-mail to surf the net and have web pages delivered to you!

Latest Links

Tell me your favourite electronics links! This month's round up starts with another on-line bookshop, this one declaring that they sell "US books at US prices": <http://www.bookstore.co.uk>. A range of books related to MIDI music for the PC, Mac, Atari and more is now described on-line by PC Publishing, on <http://www.pc-pubs.demon.co.uk>. Three out of four schools surf the net using Energis networks, they say, and Demon users too may be interested in <http://www.energis.co.uk> which describes the technology purchased by the UK's largest ISP.

Psion Organiser users could try the PSION FAQ (*Frequently Asked Questions*) which is mirrored in the UK at: <http://info.bris.ac.uk/~lwmdcg/Psion/FAQ/>. The PSION User's Club resides at <http://www.nicolas.com/psion/index.htm> whilst <http://www.the-wire.com/ce/psion/info.html> offers a plethora of general information.

Another source of interest to OEMs and consumers alike will be Rayovac's web site <http://www.rayovac.com/business>. This lists many .zip files covering battery data and usage, which unzip into Microsoft Word .doc files, so make sure you can read these before downloading.

Finally, a special thanks to David Tait who has adapted the *Simple PIC Programmer* project software (*EPE*, Feb '96) in an attempt to use MPASM hex files rather than the TASM object file. This is available as freeware from <ftp://ftp.epemag.wimborne.co.uk/pub/PICS/PIC.Programmer/sendhex/sendhex.zip>. David also provides a pointer to his Home Page which is at <http://www.man.ac.uk/~mbhstdj>.

Remember that all links are made for you on the *Net Work* page of the *EPE* Web Site. TENS users note – we're also reciprocating with the nearby *Anglo-European College of Chiropractic*, which *Net Work* encouraged to open a web site of their own. Watch this space for its URL. See you next month for more *Net Work*.

My E-mail address is alan@epemag.demon.co.uk. My Web Home Page is http://ourworld.compuserve.com/homepages/alan_winstanley.

VIDEOS ON ELECTRONICS

A range of videos designed to provide instruction on electronics theory. Each video gives a sound introduction and grounding in a specialised area of the subject. The tapes make learning both easier and more enjoyable than pure textbook or magazine study. They have proved particularly useful in schools, colleges, training departments and electronics clubs as well as to general hobbyists and those following distance learning courses etc.



BASICS

VT201 to VT206 is a basic electronics course and is designed to be used as a complete series, if required.

VT201 54 minutes. Part One; D.C. Circuits. This video is an absolute must for the beginner. Series circuits, parallel circuits, Ohms law, how to use the digital multimeter and much more.

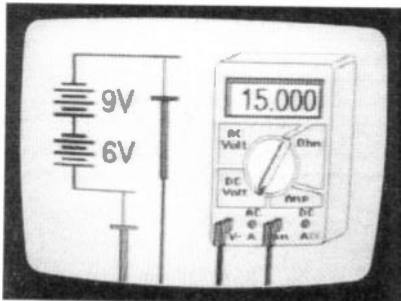
Order Code VT201

VT202 62 minutes. Part Two; A.C. Circuits. This is your next step in understanding the basics of electronics. You will learn about how coils, transformers, capacitors, etc are used in common circuits.

Order Code VT202

VT203 57 minutes. Part Three; Semiconductors. Gives you an exciting look into the world of semiconductors. With basic semiconductor theory. Plus 15 different semiconductor devices explained.

Order Code VT203



VT204 56 minutes. Part Four; Power Supplies. Guides you step-by-step through different sections of a power supply.

Order Code VT204

VT205 57 minutes. Part Five; Amplifiers. Shows you how amplifiers work as you have never seen them before. Class A, class B, class C, op.amps. etc.

Order Code VT205

VT206 54 minutes. Part Six; Oscillators. Oscillators are found in both linear and digital circuits. Gives a good basic background in oscillator circuits.

Order Code VT206

£34.95 each
inc. VAT & postage

Order 8 or more get one extra FREE
Order 16 get two extra FREE

VCR MAINTENANCE

VT102 84 minutes: Introduction to VCR Repair. Warning, not for the beginner. Through the use of block diagrams this video will take you through the various circuits found in the NTSC VHS system. You will follow the signal from the input to the audio/video heads then from the heads back to the output.

Order Code VT102

VT103 35 minutes: A step-by-step easy to follow procedure for professionally cleaning the tape path and replacing many of the belts in most VHS VCR's. The viewer will also become familiar with the various parts found in the tape path.

Order Code VT103

DIGITAL

Now for the digital series of six videos. This series is designed to provide a good grounding in digital and computer technology.

VT301 54 minutes. Digital One; Gates begins with the basics as you learn about seven of the most common gates which are used in almost every digital circuit, plus Binary notation.

Order Code VT301

VT302 55 minutes. Digital Two; Flip Flops will further enhance your knowledge of digital basics. You will learn about Octal and Hexadecimal notation groups, flip-flops, counters, etc.

Order Code VT302

VT303 54 minutes. Digital Three; Registers and Displays is your next step in obtaining a solid understanding of the basic circuits found in today's digital designs. Gets into multiplexers, registers, display devices, etc.

Order Code VT303

VT304 59 minutes. Digital Four; DAC and ADC shows you how the computer is able to communicate with the real world. You will learn about digital-to-analogue and analogue-to-digital converter circuits.

Order Code VT304

VT305 56 minutes. Digital Five; Memory Devices introduces you to the technology used in many of today's memory devices. You will learn all about ROM devices and then proceed into PROM, EPROM, EEPROM, SRAM, DRAM, and MBM devices.

Order Code VT305

VT306 56 minutes. Digital Six; The CPU gives you a thorough understanding in the basics of the central processing unit and the input/output circuits used to make the system work.

Order Code VT306

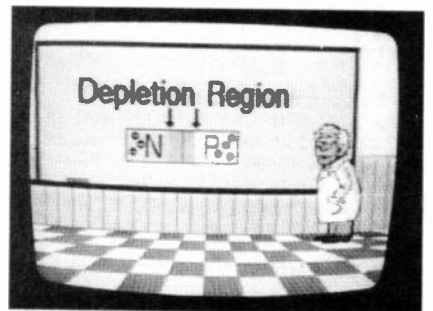
RADIO

VT401 61 minutes. A.M. Radio Theory. The most complete video ever produced on a.m. radio. Begins with the basics of a.m. transmission and proceeds to the five major stages of a.m. reception. Learn how the signal is detected, converted and reproduced. Also covers the Motorola C-QUAM a.m. stereo system.

Order Code VT401

VT402 58 minutes. F.M. Radio Part 1. F.M. basics including the functional blocks of a receiver. Plus r.f. amplifier, mixer oscillator, i.f. amplifier, limiter and f.m. decoder stages of a typical f.m. receiver.

Order Code VT402



VT403 58 minutes. F.M. Radio Part 2. A continuation of f.m. technology from Part 1. Begins with the detector stage output, proceeds to the 19kHz amplifier, frequency doubler, stereo demultiplexer and audio amplifier stages. Also covers RDS digital data encoding and decoding.

Order Code VT403

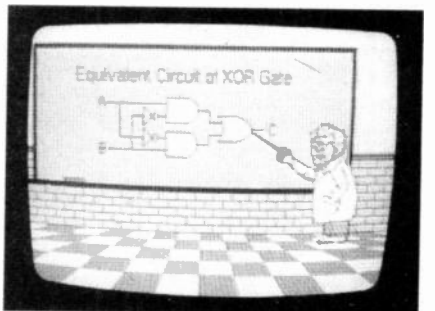
MISCELLANEOUS

VT501 58 minutes. Fibre Optics. From the fundamentals of fibre optic technology through cable manufacture to connectors, transmitters and receivers.

Order Code VT501

VT502 57 minutes. Laser Technology A basic introduction covering some of the common uses of laser devices, plus the operation of the Ruby Rod laser, HeNe laser, CO₂ gas laser and semiconductor laser devices. Also covers the basics of CD and bar code scanning.

Order Code VT502



Each video uses a mixture of animated current flow in circuits plus text, plus cartoon instruction etc., and a very full commentary to get the points across. The tapes are imported by us and originate from VCR Educational Products Co, an American supplier. (All videos are to the UK PAL standard on VHS tapes)

ORDERING: Price includes postage to anywhere in the world.

OVERSEAS ORDERS: We use the VAT portion of the price to pay for airmail postage and packing, wherever you live in the world. Just send £34.95 per tape. All payments in £ sterling only (send cheque or money order drawn on a UK bank).

Visa and Mastercard orders accepted - please give card number, card expiry date and cardholder's address if different from the delivery address.

Orders are normally sent within seven days but please allow a maximum of 28 days - longer for overseas orders.

Send your order to: Direct Book Service, 33 Gravel Hill, Merley, Wimborne, Dorset BH21 1RW (Mail Order Only)

Direct Book Service is a division of Wimborne Publishing Ltd.,

Tel: 01202 881749. Fax: 01202 841692

Due to the cost we cannot reply to overseas orders or queries by Fax.

E-mail: editorial@epemag.wimborne.co.uk

EVERYDAY CLASSIFIED

PRACTICAL ELECTRONICS

Everyday Practical Electronics reaches nearly twice as many UK readers as any other independent monthly hobby electronics magazine, our audited sales figures prove it. We have been the leading independent monthly magazine in this market for the last twelve years.

If you want your advertisements to be seen by the largest readership at the most economical price our classified and semi-display pages offer the best value. The prepaid rate for semi-display space is £8 (+VAT) per single column centimetre (minimum 2.5cm). The prepaid rate for classified adverts is 30p (+VAT) per word (minimum 12 words).

All cheques, postal orders, etc., to be made payable to Everyday Practical Electronics. VAT must be added. Advertisements, together with remittance, should be sent to Everyday Practical Electronics Advertisements, Holland Wood House, Church Lane, Great Holland, Essex CO13 0JS. Phone/Fax (01255) 850596.

For rates and information on display and classified advertising please contact our Advertisement Manager, Peter Mew as above.

RCS VARIABLE VOLTAGE D.C. BENCH POWER SUPPLY
Up to 38 volts d.c. at 6 amps continuous, 10 amps peak, fully variable from 1 to 38 volts. Twin Voltage and Current meters for easy read-out. 240 volt a.c. input. Fully smoothed, size 1 1/2 x 11 x 4 1/2 inches.

£76 inc. VAT carriage £6

RADIO COMPONENT SPECIALISTS
337 WHITEHORSE ROAD, CROYDON SURREY, CR0 2HS. Tel: 0181-684 1665

Lots of transformers, high volt caps, valves, speakers, in stock. Phone or send your wants list for quote.

Veronica KITS **88-108MHz FM TRANSMITTERS**

Professional PLL transmitter, Stereo Coder, and Compressor/Limiter kits licensable in the UK. Also very stable VFO transmitter kits. Prices from under £10 and a 'Ready Built' service is available. Contact us for a free brochure including prices and more detailed information.

18 Victoria St., Queensbury, BRADFORD, BD13 1AR
Tel 01274 816200 Email veronica@legend.co.uk
Website: <http://www.legend.co.uk/~veronica/>

BTEC ELECTRONICS TECHNICIAN TRAINING

GNVQ ADVANCED ENGINEERING (ELECTRONIC) - PART-TIME
HND ELECTRONICS - FULL-TIME
B.Eng FOUNDATION - FULL-TIME

Next course commences Monday 17th February 1997
FULL PROSPECTUS FROM

LONDON ELECTRONICS COLLEGE
(Dept EPE) 20 PENYVERN ROAD EARLS COURT, LONDON SW5 9SU
TEL: 0171-373 8721

THE P.C., MAC and QL'S 'Little Friend' MAC LINK £10 - P.C. LINK £25 - QL LINK £12

CAMBRIDGE Z88 A4 NOTEBOOK COMPUTER AVAILABLE AGAIN £99.
ONLY 1" THICK, 4xAA BATTs, 20 HOURS WORK. LCD SCREEN, 72 Crs, 6 LINES, 82K RAM, EXTRA RAMS & EPROMS, 9 pin D SERIAL PORT, ROM HAS BBC BASIC, W/PROCESSOR, SPREADSHEET, DATA BASE, IMP/EXPORT TO PC etc. V52 TERMINAL.

W.N. RICHARDSON & CO.
PHONE/FAX 01494 871319
6 RAVENSMEAD, CHALFONT ST PETER, BUCKS, SL9 0NB
POST £5. ACCESS, VISA, ETC.

EVERYDAY PRACTICAL ELECTRONICS

SUBSCRIPTION ORDER FORM
Annual subscription rates (1997): UK £24.00.
Overseas £30.00 standard air service, £47.50 express airmail.

To: Everyday Practical Electronics, Allen House, East Borough, Wimborne, Dorset BH21 1PF
Tel: 01202 881749 Fax: 01202 841692

We cannot respond to overseas queries or orders by Fax.

Miscellaneous

PROTOTYPE PRINTED CIRCUIT BOARDS one offs and quantities, for details send s.a.e. to B. M. Ansbro, 38 Poyning Drive, Hove, Sussex BN3 8GR, or phone Brighton 883871.

VALVE ENTHUSIASTS: Capacitors and other parts in stock. For free advice/lists please ring Geoff Davies (Radio), Tel: 01788 574774.

WIRELESS ALARM SYSTEMS. Consists of 4-zone control panel, 2 keyfobs, bell box with strobe and 3 high quality wireless PIR detectors. Fully expandable and guaranteed. Colour leaflet available. £159. Pye digital car radio cassette players. Anti theft detachable front panel. Brand new and boxed. £35. (01260) 271573 after 5pm.

SPECTRA-PHYSICS, Argon Laser, with PSU and T/F, good working order, £350. John 01254 581251.

PRINTED CIRCUIT BOARDS - QUICK SERVICE. Prototype and Production. Artwork raised from magazines or draft designs at low cost. PCBs also designed from schematics. Production assembly also undertaken. For details send to P. Agar, 36 Woodcot Avenue, Belfast, BT5 5JA or phone 01232 473533 (7 days).

FREE 10 watt audio-amplifier module includes pot plus leads. Please enclose £2.00 P&P. K.I.A. 1 Regent Road, Ilkley. Power Supplies, 12V-40V, £10.

G.C.S.E. ELECTRONICS KITS, at pocket money prices. S.A.E. for FREE catalogue. SIR-KIT Electronics, 70 Oxford Road, Clacton, CO15 3TE.

OSCILLOSCOPES
FREQUENCY COUNTERS, PSU'S
Ex Major Service Co.
e.g. Hitachi 30MHz scopes from £125.
GRID 01922 31411

LIGHT ENGINEERING SERVICES (PRECISION)
Machining, sheet metalwork, instrument/toolmaking etc - most engineering processes in most materials. One offs, parts, prototypes, panels, mods, jigs, repairs, anything - no job too small - trade or private.
For quick friendly service contact:
Richard - Tel/ Fax 01954 260804

MINI CCD CAMERA
Miniature b/w PCB camera 46mm x 44mm, 25mm high. Auto iris, 7V-16V DC, 2 lux. Chinon CX103. Connects to VCR or video monitor. £49 inc. reg. airmail.
See our web page at:
<http://www.hk.super.net/~diykit>

DIY ELECTRONICS
PO BOX 88458, SHAM SHUI PO, HONG KONG.

MEC SYSTEMS
<http://dSPACE.dial.pipex.com/town/parade/ix22/>
PIC 16C84-04 Only £3.75
1, 2 Chip PCB Cards for Satellite Decoding £2.50
Post & Packing £1.50
Cheques Payable to: Gareth Downes-Powell
18-20 William St., Herne Bay, Kent CT6 5EJ
E-mail: Picinfo@dial.pipex.com

THE ELECTRONICS BOOK AND COMPONENT LISTING
A regular listing of hundreds of secondhand electronics books and magazines from 1940-1995 for the hobbyist, student and engineer. Includes numerous electronics reference books and surplus electronic components and hardware at bargain prices. Send six first class stamps for listing.
Dept E, Chevet Supplies Ltd., 157 Dickson Rd., Blackpool FY1 2EU
Tel: 01253 751858 Fax: 01253 302979

THE BRITISH AMATEUR ELECTRONICS CLUB
exists to help electronics enthusiasts by personal contact and through a quarterly Newsletter.
For membership details, write to the Secretary:
Mr. J. F. Davies, 70 Ash Road, Cuddington, Northwich, Cheshire CW8 2PB.
Space donated by Everyday Practical Electronics

YOUR BOOK IN PRINT
At the Typesetting Bureau (Typesetters for EPE) we are experienced in typesetting and production of all kinds of books and magazines.
If you want your book in print we can help. Send for our information sheet now!
The Typesetting Bureau, Allen House, East Borough, Wimborne, Dorset BH21 1PF
Tel: 01202 882299 Fax: 01202 841692

Name

Address

I enclose payment of £.....

(cheque/PO in £ sterling only, payable to Everyday Practical Electronics). Alternatively send Mastercard or Visa number and card expiry date.

Signature

Please supply name and address of cardholder if different from the subscription address shown above. Subscriptions can only start with the next available issue. For back numbers see the Back Issues page.

TRAIN TODAY FOR A BETTER FUTURE

Now you can get the skills and qualifications you need for career success with an ICS Home Study Course. Learn in the comfort of your own home at the pace and times that suit you. ICS is the world's largest, most experienced home study school. Over the past 100 years ICS have helped nearly 10 million people to improve their job prospects. Find out how we can help YOU. Post or phone today for FREE INFORMATION on the course of your

Electrical Contracting & Installation
Electrical Engineering
C&G Basic Electronic Engineering
C&G Basic Mechanical Engineering
TV and Video Servicing
Radio and Hi-Fi Servicing
Refrigeration Heating & Air Conditioning
Motorcycle Maintenance

FREEPHONE 0500 581 557

Or write to: International Correspondence Schools, FREEPOST 882, 8 Elliot Place, Clydebank Skypark, Glasgow, G3 8BR. Tel: 0500 581 557 or Tel/Fax: Ireland 01 285 2533.

Please send me my Free Information on your Electronics Courses.

Mr/Mrs/Ms/Miss (BLOCK CAPITALS PLEASE) _____ Date of Birth / / _____
Address _____
Postcode _____
Occupation _____ Tel. No. _____
From time to time, we permit other carefully screened organisations to write to you about products and services. If you would prefer not to hear from such organisations please tick box Dept. ZEEE060297

TECHNICAL INFORMATION SERVICES

76 Church St, Larkhall, Lanarks, ML9 1HE
Tel: 01698 883334/884585 Fax: 01698 884825

PHONE NOW FOR YOUR FREE QUOTE

We have the World's Largest Collection of

SERVICE MANUALS

Why not join Europe's fastest growing "Information Library Service"

Buy ANY Service Manual for £10.00 and return any manual no longer needed for a £5.00 credit

CALL/WRITE NOW FOR FURTHER DETAILS

Initial joining fee of £70 : Thereafter £20 Yearly

Join Now: Get your first Manual FREE!

SERVICE MANUALS & Technical Books

Available for most equipment, any make, age or model.
Technical Book and Manual Compilations now on CD-ROM
Return the coupon for your FREE catalogue



MAURITRON TECHNICAL SERVICE (EPE)

8 Cherry Tree Road, Chinnor, Oxon, OX9 4QY.

Tel:- 01844-351694. Fax:- 01844 352554.

email:- mauritron@dial.pipex.com

Please forward your latest catalogue for which I enclose 2 x 1st Class Stamps. or £4.11 for the complete Service Manuals Index on PC Disc plus catalogue.

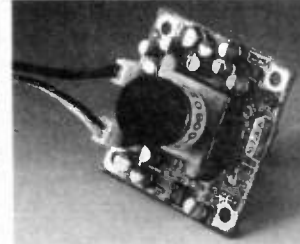
NAME _____

ADDRESS _____

POSTCODE _____

Photocopy this coupon if you do not wish to cut the magazine

HIGH QUALITY LOW COST C.C.T.V. CAMERA
LOW LIGHT LEVEL.
AUTO ELECTRONIC SHUTTER.
COMPOSITE VIDEO OUT VIA BNC PLUG.
SMALL DISCRETE SIZE.
CAN BE USED WITH PC DIGITISER.



This super quality CCD PCB camera can be connected into your existing TV or video using the AV channel and can be used for discrete surveillance or observing your property externally using a suitable weatherproof housing. Can accommodate lighting levels ranging from daylight to street lighting using its built in electronic shutter. Excellent when using with an infra red source. Built in wide angle fixed focus lens the camera has a resolution of 380 TVL. (Sharp CCD and IC's).

Special offer price of only: **£59.95 Plus VAT (P&P £3.50) (Total £73.94)**

For full range of CCTV products send SAE to:
Direct CCTV Ltd., Direct House, Florence Street, Middlesbrough TS2 1DR.

THE CR SUPPLY CO

RESISTORS

1/2 Watt Mixed metal/carbon film resistors
5% E12 series 10 ohms to 1 Megohm.....2p
1/2 Watt Carbon film resistors 5% E24 series
1 ohm to 10 Megohm.....1p
100 off per value - 85p even hundreds
per value totalling 1000.....£7.50
1/2 Watt Metal film resistors 5% E12 series
10 ohm to 1 Meg - 1/2p; 1% E24 series.....2p
5% E24 series 1 ohm to 10 Megohm.....2 1/2p
1 Watt Mixed metal/carbon film 5%
E12 series 4R7 to 10 Megohms.....5p
NEW Resistor development kits, 1/4 Watt C/Film
5x78 different values from 1 ohm to 10 Meg
ohm, comes in storage drawer with printed
colour code on outside, ideal for laboratories,
education, service depts., repairers and
hobbyists, etc.....£6.95

CAPACITORS

Radial Aluminium Electrolytics (mid/Volts).
1/63, 2/263, 4/7100, 10/25, 10/63 - 6p;
100/16, 100/25 - 8p; 100/63 - 13p; 22/16,
22/25, 22/50, 33/16, 47/16, 47/35, 47/50 - 7p;
220/16 - 9p; 220/25, 220/50 - 11p; 470/16,
470/25 - 13p; 1000/25 - 23p; 2200/25 - 42p;
4700/25 - 74p
Miniature Polyester, 250V working vertical
mounting (mid/). 01, 015, 022, 047, 068 -
5p; 0.1 - 6p; 0.12, 0.15, 0.22 - 7p; 0.47 - 9p;
0.68 - 10p; 1.0 - 13p
Mylar (polyester) 100V working E12 series
vertical mounting (p/). 1000 to 8200 - 4p;
0.01 to 0.068 - 5p; 0.1 - 6p; 0.12, 0.15, 0.22 -
7p; 0.47/50V - 9p
Submin Ceramic Plate, 100V working E12
series vertical mountings (p/). 2% 1.5 to 47 -
4p; 2% 56 to 330 - 5p; 1% 350-4700 - 8p
Polystyrene, 63V working E12 series, long
axial wires (p/). 10 to 820 - 5p; 1000 to 10,000
- 6p; 12,000 - 8p
Subminiature, Tantulum Bead electrolytics
(mid/ Volts). 0.1, 0.22, 0.47, 1.0, 2.2, 3.3
@35V, 4.7/16, 10/6, 6.8/35 - 13p; 4.7/25,
6.8/16, 10/16 - 15p; 15/16, 22/6, 33/10 - 21p;
10/25 - 22p; 10/35, 22/16 - 28p; 47/10 - 29p;
47/16 - 65p; 47/20 - 72p; 47/35 - 76p; 100/3 -
78p; 100/6, 220/6 - 81p

TRANSISTORS

BC107/8/9 - 18p; BC547/8/9 - 7p; BC557/8/9 -
8p; BC182, 182L, BC183, 183L, BC184, 184L,
BC212, 212L - 10p; BC327, 337, 337L - 8p;
BC727, 737 - 12p; BC135/67/8/9 - 27p;
BCY70 - 28p; BFY50/51/52 - 32p; BFX88 -
38p; 2N3055 - 55p; TIP31, 32 - 40p; TIP41, 42
- 40p; BU208A - £1.50; BF195, 197 - 12p.

20mm fuses

100mA to 5A, Q/blow - 8p; A/surge - 14p.
Holders, chassis, mounting - 8p.

WE HOLD PACKS OF COMPONENTS FOR THIS MONTH'S EPE PROJECTS - RING FOR PRICES

CMOS

4001B - 23p; 4011B - 25p; 4017B - 45p;
4069UB unbuffered - 25p

D.I.L. HOLDERS

8-pin - 9p; 14-, 16-, 18-pin - 15p; 24-pin - 19p;
28-pin - 22p; 40-pin - 31p

VOLTAGE REGULATORS

1A +ve or -ve 5V, 8V, 12V, 15V, 18V & 24V -
61p; 100mA +ve 5V, 8V, 12V, 15V - 38p

DIODES (P/V/amps)

75/150mA 1N4148 - 2p; 800/1A 1N4006 - 5p;
400/3A 1N5404 - 14p; 115/50mA OA91 - 18p;
100/1A 1N4002 - 4p; 1000/1A 1N4007 - 5p;
60/1.5A 51M1 - 7p; 100/1A bridge - 28p; 400/1A
1N4004 - 4p; 1250/1A BY 127 - 14p; 30/150mA
OA47 gold bonded - 24p.
Zener diodes E24 series 3V3 to 33V 400mW - 6p;
1 watt - 12p.

L.E.D.'s

3mm and 5mm. Red, Green, Yellow - 14p; Grom-
mets to suit 3mm - 2p, 5mm - 3p; 5mm Tricolour
& Bicolour - 22p; Red flashing L.E.D.'s require
9V-12V supply only, 5mm - 70p

BATTERIES

AA/HP7 NiCad rechargeable cells - £1.78 each.
With PCB mounting pins 600mAh, £2.28 per pack
zinc/carbon batteries in packs of 4 - £1.10 per pack
Watch batteries, diam x thickness in mm 7.9x3.6,
11.6x3, 11.6x4.2, 11.6 x 5.4 - 55p each
Battery snaps for PP3 - 8p; for PP9 - 16p.

ELECTRIC MOTORS

1.5V to 3V with bracket, 18x25mm shaft diam 2mm
- £1.24p; high torque 30x23mm - £1.45p; 3V to
6V, 25x21mm diam - £1.20.

MISCELLANEOUS

Mains indicator neons with 220k resistor.....14p
High speed PCB drill bits 0.8, 1.0, 1.3, 1.5, 2.0mm
- 47p; 12V mini drill, 3 jaw chuck - £14.75
Helping-hands 6 ball joints and 2 croc clips
to hold awkward jobs, cast-iron base.....£4.50
Glass rod switches with single-pole make
contacts - 11p; Magnets - 28p
0.1" Stripboard 2 1/2" x 1" 9 rows 25 holes - 25p.
3", x 2 1/2" 24 rows 37 holes - 80p.
Jack plugs 2.5 & 3.5m - 16p; Sockets Panel Mtg.
2.5 & 3.5m - 11p.
Earpieces 2.5 & 3.5mm dynamic - 29p;
3.5mm crystal - £1.60
Multi-core solder, 22SWG - 11p/yard,
18SWG - 21p/yard
Air Purifier and Ioniser complete with mains adap-
tor and car lead made by Smiths Industries. £12.50
21-pin Scart to 21-pin Scart lead, 1.2m all pins
connected - £3.95p; PCB Scart sockets - 92p.
Satellite cable 75 ohm semi air spaced 6.5mm,
OD black or white - 36p/yard.
741 Op Amp - 24p; 555 Timer - 25p; 555L Low
Power - 74p; 555 Dual Op. Amp - 22p.

SAE for lists, P&P £1.00, RO VAT

44 Chapelfield Way, Rotham, South Yorkshire S61 2TL.
Tel/Fax: 0114 2468049



Cooke International

SUPPLIER OF QUALITY USED TEST INSTRUMENTS

ANALYSERS, BRIDGES, CALIBRATORS, VOLTMETERS, GENERATORS,
OSCILLOSCOPES, POWER METERS, ETC. ALWAYS AVAILABLE

ORIGINAL SERVICE MANUALS FOR SALE
COPY SERVICE ALSO AVAILABLE

EXPORT, TRADE AND U.K. ENQUIRIES WELCOME
SEND FOR LISTS OF EQUIPMENT & MANUALS

ALL PRICES EXCLUDE VAT AND CARRIAGE

DISCOUNT FOR BULK ORDERS SHIPPING ARRANGED

OPEN MONDAY TO FRIDAY 9AM-5PM

Unit Four, Fordingbridge Site, Main Road, Barnham, Bognor Regis,
West Sussex, PO22 0HD. U.K.

Tel (+ 44) 01243 545111/2 Fax (+ 44) 01243 542457

EQUIPMENT & ACCESSORIES PURCHASED

COVERT VIDEO CAMERAS

Black and White Pin Hole Board Cameras with Audio. Cameras in P.I.R., Radios, Clocks, Briefcases etc. Transmitting Cameras with Receivers (Wireless).

Cameras as above with colour.

Audio Surveillance Kits and Ready Built Units, Bug Detector etc.

A.L. ELECTRONICS

Please phone 0181 201 5359 for free catalogue.

Fax 0181 203 0161

Callers by appointment only.

SHERWOOD ELECTRONICS

FREE COMPONENTS

Buy 10 x £1 Special Packs and choose another one FREE

SP1 15 x 5mm Red Leds	SP116 3 x 10mm Green Leds
SP2 12 x 5mm Green Leds	SP117 15 x BC556 transistors
SP3 12 x 5mm Yellow Leds	SP118 2 x Cmos 4047
SP4 10 x 5mm Amber Leds	SP125 10 x 1000/16V radial elect. caps.
SP5 15 x 3mm Red Leds	SP128 100 x Cable ties (small)
SP7 12 x 3mm Green Leds	SP130 100 x Mixed 0.5W C.F. resistors
SP10 100 x 1N4148 diodes	SP131 2 x TL071 Op.amps
SP11 30 x 1N4001 diodes	SP132 2 x TL082 Op.amps
SP12 30 x 1N4002 diodes	SP133 20 x 1N4004 diodes
SP13 20 x Assorted radial elect. caps.	SP134 15 x 1N4007 diodes
SP18 20 x BC182 transistors	SP135 6 x Min. slide switches
SP19 20 x BC183 transistors	SP137 4 x W005 1.5A rectifiers
SP20 20 x BC184 transistors	SP138 20 x 2.2/50V radial elect. caps.
SP21 20 x BC212 transistors	SP142 2 x Cmos 4017
SP22 20 x BC214 transistors	SP144 3 x TIP31A transistors
SP23 20 x BC549 transistors	SP145 6 x ZTX300 transistors
SP24 4 x Cmos 4001	SP146 10 x 2N3704 transistors
SP25 4 x 555 timers	SP147 5 x Stripboard 9 strips/25 holes
SP26 4 x 741 Op.amps	SP148 6 x 2mm lighthouse Leds-Red
SP27 4 x Cmos 4002	SP151 4 x 8mm Red Leds
SP28 4 x Cmos 4011	SP152 4 x 8mm Green Leds
SP29 4 x Cmos 4013	SP153 4 x 8mm Yellow Leds
SP30 4 x Cmos 4025	SP156 3 x Stripboard, 14 strips/27 holes
SP32 4 x Cmos 4077	SP160 10 x 2N3904 transistors
SP33 4 x Cmos 4081	SP161 10 x 2N3906 transistors
SP36 25 x 10/25V radial elect. caps.	SP162 2 x C106D thyristors
SP37 15 x 100/35V radial elect. caps.	SP165 2 x LF351 Op.amps
SP41 20 x Mixed transistors	SP167 6 x BC107 transistors
SP42 200 x Mixed 0.25W C.F. resistors	SP168 6 x BC108 transistors
SP47 5 x Min. pushbutton switches	SP175 20 x 1/63V radial elect. caps.
SP102 20 x 8-pin DIL sockets	SP192 3 x Cmos 4066
SP103 15 x 14-pin DIL sockets	SP194 10 x OA90 diodes
SP104 15 x 16-pin DIL sockets	SP195 3 x 10mm Yellow Leds
SP105 5 x 74LS00	
SP106 5 x 74LS02	
SP112 4 x Cmos 4093	
SP115 3 x 10mm Red Leds	

RESISTOR PACKS - C. Film

RP3 5 each value - total 365 0.25W	£2.75
RP7 10 each value - total 730 0.25W	£3.95
RP10 1000 popular values 0.25W	£5.75
RP4 5 each value-total 365 0.5W	£3.70
RP8 10 each value-total 730 0.5W	£6.30

1997 Catalogue £1 inc. P&P or FREE with first order.

P&P £1.25 per order. NO VAT.

Orders to:

**Sherwood Electronics,
7 Williamson St., Mansfield,
Notts. NG19 6TD.**

Millions of quality components at lowest ever prices!

Plus anything from bankruptcy - theft recovery - frustrated orders - over production etc.

NO VAT to add on.

Send 45p stamped self addressed label or envelope for clearance lists.

Brian J Reed

**6 Queensmead Avenue, East Ewell
Epsom, Surrey KT17 3EQ**

Tel: 0181-393 9055 Mail order UK only.

Lists are updated and only 40 are sent out every 2 weeks. This normally ensures that orders can be fulfilled where only a few thousand of an item is available. (Payment is returned if sold out. I do not deal in credit notes). This will sometimes entail a delay of up to eight weeks - but the prices will be worth the wait!

N. R. BARDWELL LTD (EPE)

200 Signal diodes 1N4148.....£1.00	25 5mm red l.e.d.s.....£1.00
75 Rectifier Diodes 1N4001.....£1.00	25 3mm red l.e.d.s.....£1.00
50 Rectifier Diodes 1N4007.....£1.00	25 Assid. high brightness l.e.d.s.....£1.00
10 W04 Bridge Rectifiers.....£1.00	50 Axial l.e.d.s (Diode package).....£1.00
5 NE555 Timer I.C.s.....£1.00	12 Assid. 7-segment displays.....£1.00
25 Asstd. Zener Diodes.....£1.00	30 Assid. IF transformers.....£1.00
20 BC182L Transistors.....£1.00	48 Assid. coil formers.....£1.00
20 BC212L Transistors.....£1.00	50 Assid. RF chokes (inductors).....£1.00
30 BC213L Transistors.....£1.00	30 Assid. connectors edge d.i.l. sil etc.....£1.00
30 BC214C Transistors.....£1.00	30 Assid. d.i.l. sockets up to 40-pin.....£1.00
30 BC237 Transistors.....£1.00	200 Assid. disc ceramic capacitors.....£1.00
20 BC327 Transistors.....£1.00	80 Assid. capacitors 1nF to 1µF.....£1.00
20 BC328 Transistors.....£1.00	80 Assid. electrolytic capacitors.....£1.00
20 BC337 Transistors.....£1.00	10 4P3W MBB min. rotary switches.....£1.00
30 BC478 Transistors.....£1.00	20 Min. SP/CO slide switches.....£1.00
30 BC546 Transistors.....£1.00	20 1" glass reed switches.....£1.00
30 BC547 Transistors.....£1.00	200 4N7 mini axial capacitors.....£1.00
30 BC548 Transistors.....£1.00	24 24-pin d.i.l. wire wrap i.c. skts.....£1.00
30 BC549 Transistors.....£1.00	1 12V motorised volume control 50k.....£1.00
25 BC557 Transistors.....£1.00	50 Grommets 6-3mm id, 9-5mm od.....£1.00
30 BC558 Transistors.....£1.00	100 c/1 1/2W 5% resistors any one value, E24, range 1R to 10M.....£0.45
30 BC559 Transistors.....£1.00	
25 BC640 Transistors.....£1.00	
20 MPS442 Transistors.....£1.00	
30 MPSA92 Transistors.....£1.00	
20 2N3904 Transistors.....£1.00	
5 78L12 12V 100mA Pos Regulators.....£1.00	
10 79M08 8V 500mA Neg Regulators.....£1.00	

Prices include VAT, postage £1.25 31p stamp for Lists
288 Abbeylea Road, Sheffield S7 1FL
Phone (0114) 2552886 Fax (0114) 2500689

NEW MINI CAMERA and SPECIAL OFFERS

NEW - Mini Waterproof TV Camera, 40 x 40 x 15mm, requires 10V to 16V at 120mA with composite video output (to feed into a Video or a TV with a SCART plug). It has a high resolution of 450 TV lines vertical and 380 TV lines horizontal, electronic auto iris for nearly dark (1 LUX) to bright sunlight operation and a pinhole lens with a 92 degree field of view, it focuses down to a few cm. It is fitted with a 3-wire lead (12V in, gnd and video out). £33.57 + VAT = £109.95 or 10+ £89.32 + VAT = £104.95.

High quality Stepping Motor Kits (all including stepping motors) Comstep independent control of two stepping motors by PC (via the Parallel Port) with two motors and software. Kit £67.00, Bulk £39.00.

Software support and 4-digital inputs kit.....£27.00

Power interface - 4A kit £38.00, 6A kit, £46.00.

Stepper kit 4 (manual control) includes 200 step stepping motor and control circuit.....£23.00

Hand Held Transistor Analyser. It tells you which lead is the base, the collector and emitter and if it is NPN or PNP or faulty. £33.45. Spare 6V battery £1.20.

LEDs 3mm or 5mm Red or Green 7p each, Yellow 11p each. Cable Ties 1p each. £9.95 per 1000, £49.50 per 10,000.

RECHARGEABLE BATTERIES

AA (HP7) 500mAh.....£0.99

AA 700mAh.....£1.75

C 2AH with solder tags.....£4.95

C 4AH with solder tags.....£4.95

12AA with solder tags.....£1.55

AAA (HP16) 180mAh.....£1.75

AA 500mAh with solder tags.....£2.50

C (HP11) 1.2AH.....£2.50

D (HP2) 1.2AH.....£2.50

PP3 8-4V 110mAh.....£4.95

Sub C with solder tags.....£2.50

1/3 AA with tags (Philips CTV).....£1.95

Standard Charger, charges 4 AA cells in 5 hours or 4 Cs or Ds in 12 to 14 hours, plus 1xPP3 (1, 2, 3 or 4 cells may be charged at a time).....£5.95

High Power Charger, as above but charges the Cs and Ds in 5 hours, AAs, Cs and Ds must be charged in twos or fours.....£10.95

Nickel Metal Hydride AA cells, high capacity with no memory. If charged at 100mA and discharged at 250mA or less 1100mAh capacity (lower capacity for high discharge rates).....£3.75

SPECIAL OFFERS - PLEASE CHECK FOR AVAILABILITY

Stick of 4, 42mm x 15mm NiCad batteries, 171mm x 16mm dia., with red and black leads, 4-8V.....£5.95

Five button cell, 6V 280mAh battery with wres (Varta 5 x 250C).....£2.45

Shaded-pole motor, 240V a.c. 5mm x 20mm shaft, 80mm x 50mm x 55mm, excluding the shaft.....£4.95

115V a.c. 80V d.c. motor, 4mm x 22mm shaft, 50mm dia, 60mm long body (excluding the shaft) it has a replaceable thermal fuse and brushes.....£4.95 each, £3.95 100+

7-Segment, common anode, i.e.d. display, 12mm.....45p

LM337K, TO3 case, Variable regulator, £1.95, 100+ £1.44

74LS05 Hex inverter.....£10.00 per 100

Used 8748 Microcontroller.....£3.50

SL552 UHF Liming amplifier, LC 16 surface mounting package with data sheet.....£1.95

DC-DC Converter, Reliability model V12P5, 12V in, 5V 200mA out, 300V input-to-output isolation, with data sheet.....£4.95 each or pack of 10 £39.50

Hour Counter used 7 digit 240V a.c. 50Hz.....£1.45

QWERTY keyboard, 58-key, good quality.....£8.00

Airfax AR2903-C large stepping motor 14V 7.5" step, 27 ohm, 68mm dia. body, 6.3mm shaft.....£8.95 or £200 for a box of 30

Polyester capacitors, box type, 25mm lead pitch 0.5µF 250V d.c. 15p each, 1µF 100+, 8p 1000+ 1µF 250V d.c. 20p each, 15p 100+, 10p 1000+ 1µF 50V bipolar electrolytic axial leads, 15p each, 7.5p 1000+ 0.22µF 250V polyester axial leads, 15p each, 100+ 7.5p each Polypropylene 1µF 400V d.c. (Wima MKP10) 27.5mm pitch, 32mm x 28mm x 17mm case, 75p each, 60p 100+ Philips 123 series solid aluminium axial leads, 33µF 10V and 2.2µF 40V 40p each, 25p 100+ Philips 108 series, long life, 30p each, 15p 1000+ 22µF 63V axial.....£1.00

Multilayer AVX ceramic capacitors, all 5mm pitch, 100V, 150pF, 220pF, 10,000pF (10n) 10p each, 5p 100+, 3.5p 1000+

500pF compression trimmer capacitor.....60p

40µF 370V a.c. motor start capacitor (dielectric type containing no p.c.b.s).....£5.95 or £49.50 for 10

Solid carbon resistors, very low inductance, ideal for r.f. circuits, 27 ohm 2W, 68 ohm 2W 25p each, 15p each 100+

We have a range of 0-25W, 0.5W, 1W and 2W solid carbon resistors - please send SAE for list

P.C. 400W PSU (Intel part 201035-001) with standard motherboard and five disk drive connectors, fan and mains input/output connectors on back and switch on the side (top for tower case) dims. 212mm x 149mm x 149mm including switch, £25.00 each, £138.00 for 6

MX180 Digital Multimeter 17 ranges, 1000V d.c., 750V a.c. 2Megohm 200mA transistor Hie 9V and 1-5V battery test.....£9.95

AMD 27256-3 EPROMs £2.00 each, £1.25 100+ DIP switch 3PCO 12-pin (ERG SDC-3-023).....60p each, 40p 100+

Disk Drive Boxes for a 5-25 disk drive, with room for a power supply, light-grey plastic 67mm x 268mm x 247mm £7.95 or £49.50 for 10

Handheld Ultrasonic Remote Control.....£3.95

CV2486 Gas Relay 30mm x 10mm dia. with 3-wire terminals, will also work as a neon light.....20p each, or £7.50 per 100

Verbatim R300NH Streamer tape commonly used on nc machines and printing presses etc. It looks like a normal cassette with a slot cut out of the top.....£4.95 each, £3.75 100+

Heatseek Compound Tube.....85p

HV3-2405-ES 5V-24V 50mA Regulator i.c. 18V-264V a.c. input, 8-pin DIL package.....£3.49 each, 100+ £2.25

LM555 timer I.c., 18p, 8-pin DIL socket, 6p

All products advertised are new and unused unless otherwise stated.

Wide range of CMOS TTL 74HC74F Linear, Transistors kits, rechargeable batteries, capacitors, tools etc. always in stock. Please add £1.95 towards P&P. VAT included in all prices

JPG ELECTRONICS

276-278 Chatsworth Road
Chesterfield S40 2BH
Access/Visa Orders:
Tel: (01246) 211202 Fax: (01246) 550959
Callers welcome 9.30am to 5.30pm
Monday to Saturday

ADVERTISERS INDEX

A.L. ELECTRONICS.....	215
N. R. BARDWELL.....	216
B.K. ELECTRONICS.....	Cover (iii)
BRIAN J. REED.....	216
BULL ELECTRICAL.....	Cover (ii)/179
CIRKIT DISTRIBUTION.....	210
COMPELEC.....	191
COOKE INTERNATIONAL.....	215
CR SUPPLY CO.....	215
DIRECT CCTV.....	215
DISPLAY ELECTRONICS.....	146
EPT EDUCATIONAL SOFTWARE.....	151
ESR ELECTRONIC COMPONENTS.....	154
GREENWELD ELECTRONICS.....	172
ICS.....	215
J&N FACTORS.....	150
JCG ELECTRONICS.....	203
JPG ELECTRONICS.....	216
LABCENTER ELECTRONICS.....	173
LENNARD RESEARCH.....	197
MAGENTA ELECTRONICS.....	152/153
MAPLIN ELECTRONICS.....	Cover (iv)
MAURITRON.....	215
NATIONAL COLLEGE OF TECHNOLOGY.....	203
NICHE SOFTWARE (UK).....	189
NUMBER ONE SYSTEMS.....	161
PICO TECHNOLOGY.....	147
PRESS-N-PEEL.....	191
QUASAR ELECTRONICS.....	197
QUICKROUTE SYSTEMS.....	148
RADIO-TECH.....	197
ROBINSON MARSHALL (EUROPE).....	163
SEETRAX CAE.....	196
SHERWOOD ELECTRONICS.....	216
SUMA DESIGNS.....	149
SWIFT DESIGNS.....	164
TECHNICAL INFORMATION SERVICES.....	215
VANN DRAPER.....	205

ADVERTISEMENT MANAGER: PETER J. MEW

ADVERTISEMENT OFFICES:
EVERYDAY PRACTICAL ELECTRONICS, ADVERTISEMENTS,
HOLLAND WOOD HOUSE, CHURCH LANE,
GREAT HOLLAND, ESSEX CO13 0JS.
Phone/Fax: (01255) 850596

For Editorial address and phone numbers see page 155.

OMP MOS-FET POWER AMPLIFIERS
HIGH POWER, TWO CHANNEL 19 INCH RACK

THOUSANDS PURCHASED BY PROFESSIONAL USERS



THE RENOWNED MXF SERIES OF POWER AMPLIFIERS
FOUR MODELS:- MXF200 (100W + 100W) MXF400 (200W + 200W)
MXF600 (300W + 300W) MXF900 (450W + 450W)
ALL POWER RATINGS R.M.S. INTO 4 OHMS, BOTH CHANNELS DRIVEN

FEATURES: *Independent power supplies with two toroidal transformers * Twin L.E.D. Vu meters * Level controls * Illuminated on/off switch * XLR connectors * Standard 775mV inputs * Open and short circuit proof * Latest Mos-Fets for stress free power delivery into virtually any load * High slew rate * Very low distortion * Aluminium cases * MXF600 & MXF900 fan cooled with D.C. loudspeaker and thermal protection.

USED THE WORLD OVER IN CLUBS, PUBS, CINEMAS, DISCOS ETC.

SIZES:- MXF200 W19" xH3 1/2" (2U)xD11"
MXF400 W19" xH5 1/4" (3U)xD12"
MXF600 W19" xH5 1/4" (3U)xD13"
MXF900 W19" xH5 1/4" (3U)xD14 1/2"

PRICES:- MXF200 £175.00 MXF400 £233.85
MXF600 £329.00 MXF900 £449.15
SPECIALIST CARRIER DEL. £12.50 EACH



OMP X03 STEREO 3-WAY ACTIVE CROSS-OVER



Advanced 3-Way Stereo Active Cross-Over, housed in a 19" x 1U case. Each channel has three level controls: bass, mid & top. The removable front fascia allows access to the programmable DIL switches to adjust the cross-over frequency: Bass-Mid 250/500/800Hz, Mid-Top 1.8/3/5KHz, all at 24dB per octave. Bass invert switches on each bass channel. Nominal 775mV Input/output. Fully compatible with OMP rack amplifier and modules.

Price £117.44 + £5.00 P&P

STEREO DISCO MIXER SDJ3400S

*** ECHO & SOUND EFFECTS ***

STEREO DISCO MIXER with 2 x 7 band L & R graphic equalisers with bar graph LED Vu meters. MANY OUTSTANDING FEATURES:- including Echo with repeat & speed control, DJ Mic with talk-over switch, 6 Channels with individual faders plus cross fade, Cue Headphone Monitor, 8 Sound Effects. Useful combination of the following inputs: 3 turntables (mag), 3 mics, 5 Line for CD, Tape, Video etc.



Price £144.99 + £5.00 P&P

SIZE: 482 x 240 x 120mm

PIEZO ELECTRIC TWEETERS - MOTOROLA

Join the Piezo revolution! The low dynamic mass (no voice coil) of a Piezo tweeter produces an improved transient response with a lower distortion level than ordinary dynamic tweeters. As a crossover is not required these units can be added to existing speaker systems of up to 100 watts (more if two are put in series). FREE EXPLANATORY LEAFLETS ARE SUPPLIED WITH EACH TWEETER.

- TYPE 'A' (KSN1036A) 3" round with protective wire mesh. Ideal for bookshelf and medium sized Hi-Fi speakers. Price £4.90 + 50p P&P.
- TYPE 'B' (KSN1005A) 3 1/2" super horn for general purpose speakers, disco and P.A. systems etc. Price £5.99 + 50p P&P.
- TYPE 'C' (KSN1016A) 2' x 5" wide dispersion horn for quality Hi-Fi systems and quality discos etc. Price £6.99 + 50p P&P.
- TYPE 'D' (KSN1025A) 2' x 6" wide dispersion horn. Upper frequency response retained extending down to mid-range (2KHz). Suitable for high quality Hi-Fi systems and quality discos. Price £9.99 + 50p P&P.
- TYPE 'E' (KSN1038A) 3 1/2" horn tweeter with attractive silver finish trim. Suitable for Hi-Fi monitor systems etc. Price £5.99 + 50p P&P.
- LEVEL CONTROL Combines, on a recessed mounting plate, level control and cabinet input jack socket. 85x85mm. Price £4.10 + 50p P&P.

IBI FLIGHT CASED LOUDSPEAKERS

A new range of quality loudspeakers, designed to take advantage of the latest speaker technology and enclosure designs. Both models utilize studio quality 12" cast aluminium loudspeakers with factory fitted grilles, wide dispersion constant directivity horns, extruded aluminium corner protection and steel ball corners, complimented with heavy duty black covering. The enclosures are fitted as standard with top hats for optional loudspeaker stands.



POWER RATINGS QUOTED IN WATTS RMS FOR EACH CABINET
FREQUENCY RESPONSE FULL RANGE 45Hz - 20KHz

ibi FC 12-100WATTS (100dB) PRICE £159.00 PER PAIR
ibi FC 12-200WATTS (100dB) PRICE £175.00 PER PAIR

SPECIALIST CARRIER DEL. £12.50 PER PAIR

OPTIONAL STANDS PRICE PER PAIR £49.00
Delivery £6.00 per pair

IN-CAR STEREO BOOSTER AMPS

THREE SUPERB HIGH POWER CAR STEREO BOOSTER AMPLIFIERS



PRICES: 150W £49.99 250W £99.99
400W £109.95 P&P £2.00 EACH

150 WATTS (75 + 75) Stereo, 150W Bridged Mono
250 WATTS (125 + 125) Stereo, 250W Bridged Mono
400 WATTS (200 + 200) Stereo, 400W Bridged Mono
ALL POWERS INTO 4 OHMS
Features:
* Stereo, bridgable mono * Choice of high & low level inputs * L & R level controls * Remote on-off * Speaker & thermal protection.

OMP MOS-FET POWER AMPLIFIER MODULES

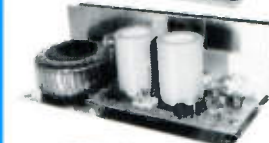
SUPPLIED READY BUILT AND TESTED.

These modules now enjoy a world-wide reputation for quality, reliability and performance at a realistic price. Four models are available to suit the needs of the professional and hobby market i.e. Industry, Leisure, Instrumental and Hi-Fi etc. When comparing prices, NOTE that all models include toroidal power supply, integral heat sink, glass fibre P.C.B. and drive circuits to power a compatible Vu meter. All models are open and short circuit proof.

THOUSANDS OF MODULES PURCHASED BY PROFESSIONAL USERS



OMP/MF 100 Mos-Fet Output power 110 watts R.M.S. into 4 ohms, frequency response 1Hz - 100KHz -3dB, Damping Factor >300, Slew Rate 45V/uS, T.H.D. typical 0.002%, Input Sensitivity 500mV, S.N.R. -110 dB. Size 300 x 123 x 60mm.
PRICE £40.85 + £3.50 P&P



OMP/MF 200 Mos-Fet Output power 200 watts R.M.S. into 4 ohms, frequency response 1Hz - 100KHz -3dB, Damping Factor >300, Slew Rate 50V/uS, T.H.D. typical 0.001%, Input Sensitivity 500mV, S.N.R. -110 dB. Size 300 x 155 x 100mm.
PRICE £64.35 + £4.00 P&P



OMP/MF 300 Mos-Fet Output power 300 watts R.M.S. into 4 ohms, frequency response 1Hz - 100KHz -3dB, Damping Factor >300, Slew Rate 50V/uS, T.H.D. typical 0.001%, Input Sensitivity 500mV, S.N.R. -110 dB. Size 330 x 175 x 100mm.
PRICE £81.75 + £5.00 P&P



OMP/MF 450 Mos-Fet Output power 450 watts R.M.S. into 4 ohms, frequency response 1Hz - 100KHz -3dB, Damping Factor >300, Slew Rate 75V/uS, T.H.D. typical 0.001%, Input Sensitivity 500mV, S.N.R. -110 dB, Fan Cooled, D.C. Loudspeaker Protection, 2 Second Anti-Thump Delay. Size 385 x 210 x 105mm.
PRICE £132.85 + £5.00 P&P



OMP/MF 1000 Mos-Fet Output power 1000 watts R.M.S. into 2 ohms, 725 watts R.M.S. into 4 ohms, frequency response 1Hz - 100KHz -3dB, Damping Factor >300, Slew Rate 75V/uS, T.H.D. typical 0.002%, Input Sensitivity 500mV, S.N.R. -110 dB, Fan Cooled, D.C. Loudspeaker Protection, 2 Second Anti-Thump Delay. Size 422 x 300 x 125mm.
PRICE £259.00 + £12.00 P&P

NOTE: MOS-FET MODULES ARE AVAILABLE IN TWO VERSIONS: STANDARD - INPUT SENS 500mV, BAND WIDTH 100KHz. RES. (PROFESSIONAL EQUIPMENT COMPATIBLE) - INPUT SENS 775mV, BAND WIDTH 50KHz. ORDER STANDARD OR PEC.

LOUDSPEAKERS

LARGE SELECTION OF SPECIALIST LOUDSPEAKERS AVAILABLE, INCLUDING CABINET FITTINGS, SPEAKER GRILLES, CROSS-OVERS AND HIGH POWER, HIGH FREQUENCY BULLETS AND HORNS, LARGE (A4) S.A.E. (60p STAMPED) FOR COMPLETE LIST.



McKenzie and Fane Loudspeakers are also available.

EMINENCE:- INSTRUMENTS, P.A., DISCO, ETC

- ALL EMINENCE UNITS 8 OHMS IMPEDANCE**
- 8" 100 WATT R.M.S. ME8-100 GEN. PURPOSE, LEAD GUITAR, EXCELLENT MID. DISCO. RES. FREQ. 72Hz, FREQ. RESP. TO 4KHz, SENS 97dB. PRICE £32.71 + £2.50 P&P
 - 10" 100 WATT R.M.S. ME10-100 GUITAR, VOCAL, KEYBOARD, DISCO, EXCELLENT MID. RES. FREQ. 71Hz, FREQ. RESP. TO 7KHz, SENS 97dB. PRICE £33.74 + £2.50 P&P
 - 10" 200 WATT R.M.S. ME10-200 GUITAR, KEYB'D, DISCO, VOCAL, EXCELLENT HIGH POWER MID. RES. FREQ. 65Hz, FREQ. RESP. TO 3.5KHz, SENS 99dB. PRICE £43.47 + £2.50 P&P
 - 12" 100 WATT R.M.S. ME12-100LE GEN. PURPOSE, LEAD GUITAR, DISCO, STAGE MONITOR. RES. FREQ. 49Hz, FREQ. RESP. TO 6KHz, SENS 100dB. PRICE £35.64 + £3.50 P&P
 - 12" 100 WATT R.M.S. ME12-100LT (TWIN CONE) WIDE RESPONSE, P.A., VOCAL, STAGE MONITOR. RES. FREQ. 42Hz, FREQ. RESP. TO 10KHz, SENS 98dB. PRICE £36.67 + £3.50 P&P
 - 12" 200 WATT R.M.S. ME12-200 GEN. PURPOSE, GUITAR, DISCO, VOCAL, EXCELLENT MID. RES. FREQ. 58Hz, FREQ. RESP. TO 6KHz, SENS 98dB. PRICE £46.71 + £3.50 P&P
 - 12" 300 WATT R.M.S. ME12-300GP HIGH POWER BASS, LEAD GUITAR, KEYBOARD, DISCO ETC. RES. FREQ. 47Hz, FREQ. RESP. TO 5KHz, SENS 103dB. PRICE £70.19 + £3.50 P&P
 - 15" 200 WATT R.M.S. ME15-200 GEN. PURPOSE BASS, INCLUDING BASS GUITAR. RES. FREQ. 46Hz, FREQ. RESP. TO 5KHz, SENS 99dB. PRICE £50.72 + £4.00 P&P
 - 15" 300 WATT R.M.S. ME15-300 HIGH POWER BASS, INCLUDING BASS GUITAR. RES. FREQ. 39Hz, FREQ. RESP. TO 3KHz, SENS 103dB. PRICE £73.34 + £4.00 P&P

EARBENDERS:- HI-FI, STUDIO, IN-CAR, ETC

- ALL EARBENDER UNITS 8 OHMS** (Except EB8-50 & EB10-50 which are dual impedance lapped @ 4 & 8 ohm)
- BASS, SINGLE CONE, HIGH COMPLIANCE, ROLLED SURROUND
 - 8" 50WATT EB8-50 DUAL IMPEDANCE, TAPPED 4/8 OHM BASS, HI-FI, IN-CAR. RES. FREQ. 40Hz, FREQ. RESP. TO 7KHz SENS 97dB. PRICE £8.90 + £2.00 P&P
 - 10" 50WATT EB10-50 DUAL IMPEDANCE, TAPPED 4/8 OHM BASS, HI-FI, IN-CAR. RES. FREQ. 40Hz, FREQ. RESP. TO 5KHz, SENS 99dB. PRICE £13.65 + £2.50 P&P
 - 10" 100WATT EB10-100 BASS, HI-FI, STUDIO. RES. FREQ. 35Hz, FREQ. RESP. TO 3KHz, SENS 96dB. PRICE £30.39 + £3.50 P&P
 - 12" 100WATT EB12-100 BASS, STUDIO, HI-FI, EXCELLENT DISCO. RES. FREQ. 26Hz, FREQ. RESP. TO 3 KHz, SENS 93dB. PRICE £42.12 + £3.50 P&P
 - FULL RANGE TWIN CONE, HIGH COMPLIANCE, ROLLED SURROUND
 - 5 1/2" 60WATT EB5-60TC (TWIN CONE) HI-FI, MULTI-ARRAY DISCO ETC. RES. FREQ. 63Hz, FREQ. RESP. TO 20KHz, SENS 92dB. PRICE £9.99 + £1.50 P&P
 - 6 1/2" 60WATT EB6-60TC (TWIN CONE) HI-FI, MULTI-ARRAY DISCO ETC. RES. FREQ. 38Hz, FREQ. RESP. TO 20KHz, SENS 94dB. PRICE £10.99 + 1.50 P&P
 - 8" 60WATT EB8-60TC (TWIN CONE) HI-FI, MULTI-ARRAY DISCO ETC. RES. FREQ. 40Hz, FREQ. RESP. TO 18KHz, SENS 99dB. PRICE £12.99 + £1.50 P&P
 - 10" 60WATT EB10-60TC (TWIN CONE) HI-FI, MULTI ARRAY DISCO ETC. RES. FREQ. 35Hz, FREQ. RESP. TO 12KHz, SENS 98dB. PRICE £16.49 + £2.00 P&P

TRANSMITTER HOBBY KITS

PROVEN TRANSMITTER DESIGNS INCLUDING GLASS FIBRE PRINTED CIRCUIT BOARD AND HIGH QUALITY COMPONENTS COMPLETE WITH CIRCUIT AND INSTRUCTIONS

3W TRANSMITTER 80-108MHz, VARICAP CONTROLLED PROFESSIONAL PERFORMANCE, RANGE UP TO 3 MILES, SIZE 38 x 123mm. SUPPLY 12V @ 0.5AMP. PRICE £14.85 - £1.00 P&P

FM MICRO TRANSMITTER 100-108MHz, VARICAP TUNED, COMPLETE WITH VERY SENS FET MIC, RANGE 100-300m, SIZE 56 x 46mm, SUPPLY 9V BATTERY. PRICE £8.90 - £1.00 P&P

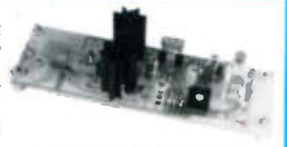


PHOTO: 3W FM TRANSMITTER

B.K. ELECTRONICS

UNITS 1 & 5 COMET WAY, SOUTHBEND-ON-SEA, ESSEX, SS26 6TR.
Tel.: 0702 - 527572 Fax.: 0702 - 420243

POSTAL CHARGES PER ORDER £1.00 MINIMUM. OFFICIAL ORDERS FROM SCHOOLS, COLLEGES, GOVT. BODIES, PLC. ETC. PRICES INCLUSIVE OF V.A.T. SALES COUNTER, VISA AND ACCESS ACCEPTED BY POST, PHONE OR FAX.

The indispensable tool for DIY enthusiasts, hobbyists and students, amateurs and professionals in the world of electronics...

It's all in here!

It's at your local Maplin store

With more than 40 stores nationwide and many new stores on the way, there should be a Maplin store near you.

Same day despatch

Every order is processed on the day of your call. 24 hour ordering – see catalogue for details.

Free technical support

Available on all products. Call 01702 556001

New! Updated twice a year

Now it's produced in March and September, you can be sure the products are right up to date.

Only £3.45

Available at WH Smith, John Menzies or any Maplin store, or you can order your copy direct on 01702 554000 (add 50p for P&P).

If you live outside the UK send £8.45 or 21 IRCs for airmail in Europe or surface mail outside Europe; £16.00 or 37 IRCs for airmail outside Europe to: Maplin MPS, P.O. Box 777, Rayleigh, Essex, England SS6 8LU.

Over 18,000 high quality products

Everything you could want from the fascinating world of electronics, – and all in full colour.

Over £50 in discount vouchers

There's more than £50 in vouchers inside to save you even more money.

Free delivery

There's no delivery charge on orders over £30 (inclusive of VAT) or any size business account order.

MPS
MAPLIN PROFESSIONAL



THE COMPLETE CATALOGUE FOR ELECTRONICS

1997

March '97 – August '97

Visit our Web Site
<http://www.maplin.co.uk>



1972-1997

25 years of experience

Britain's best selling electronics catalogue is now in its 25th year. Nobody can match our experience.

Save £50 + Vouchers Inside
FREE DELIVERY*
* see inside for details

MPS
MAPLIN PROFESSIONAL

Priority Reference Code MA021