

EVERYDAY ELECTRONICS and computer PROJECTS

JUNE 1985

£1.00

COMPUTERISED
SHUTTER
TIMER



GRAPHIC
EQUALISER



CARAVAN PSU
ELECTRONIC DOORBELL

Plus... Monostables - Bistables - Astables

Australia \$1.75 New Zealand \$1.95 Malaysia \$4.95

BAKERS DOZEN PARCELS

All the parcels listed below are brand new components. Price per parcel is £1.00, but if you order 12 you get one extra free.

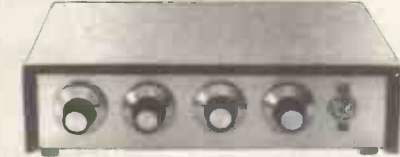
- 1 - 5 13 amp ring main junction boxes
- 2 - 5 13 amp ring main spur boxes
- 3 - 25 13 amp fuses for ring mains
- 4 - 5 surface mounting switches suitable insulated for mains voltage
- 5 - 3 flush electrical switches intermediate type, will also replace 1 or 2 way switches
- 6 - 5 in flex line switches
- 7 - 4 in flex line switches with neons
- 8 - 280 watt brass cased elements
- 9 - 2 mains transformers with 6v 1a secondaries
- 10 - 2 mains transformers with 12v 1/2a secondaries
- 11 - 1 extension speaker cabinet for 6 1/2" speaker
- 12 - 5 socket bases for relays or valves
- 13 - 12 glass reed switches
- 14 - 4 OCP 70 photo transistors
- 15 - 25 assorted germanium transistors OC45 etc
- 16 - 4 tape heads, 2 record, 2 erase
- 17 - 2 ultra sonic transmitters and 2 ditto receivers
- 18 - 2 15000 mfd computer grade electrolytics
- 19 - 2 light dependent resistors similar ORP12
- 20 - 5 diff micro switches
- 21 - 2 mains interference suppressors
- 22 - 2 25 watt crossover units
- 23 - 1 40 watt 3 way crossover unit
- 24 - 250 various screws and self tappers
- 25 - 1 of each wafer switches - 6p 2 way; 4p 3 way; 2p 6 way; 1p 12 way
- 26 - 2 tape deck counters
- 27 - 16 digit counter 2v
- 28 - 16 digit counter mains voltage
- 29 - 1 BOAC in flight stereo unit (second hand)
- 30 - 2 Nicad battery chargers
- 31 - 1 key switch with key
- 32 - 2 humidity switches
- 33 - 2 aerosol cans of ICI Dry Lubricant
- 34 - 96 x 1 metre lengths colour-coded connecting wires
- 35 - 4 battery operated motor motors
- 36 - 2 air spaced 2 gang tuning condensers
- 37 - 2 solid dielectric 2 gang tuning condensers
- 38 - 10 compression trimmers
- 39 - Long and Medium wave tuner kit
- 40 - 4 x 465 KC IF transformers
- 41 - 8 Rocker Switches 10 amp Mains SPST
- 42 - 6 Rocker Switches 10 amp Mains SPDT
- 43 - 5 Rocker Switches 10 amp SPDT Centre Off
- 44 - 4 Rocker Switches 10 amp DPDT
- 45 - 1 24 hour time switch mains operated - (s.h.)
- 46 - 1 6 hour clock working timeswitch
- 47 - 2 lever switches 4 pole changeover up and ditto down
- 48 - 2 6v operated reed switch relays
- 49 - 10 neon valves - make good night lights
- 50 - 2 x 12v DC or 24V AC AC0 relays
- 51 - 1 x 12v 2C 0 very sensitive relay
- 52 - 1 x 12v AC 0 relay
- 53 - 2 mains operated relays 3 x 18 amp changeovers (secondhand)
- 54 - 10 rows of 32 gold plated IC sockets (total 320 sockets)
- 55 - 1 locking mechanism with 2 keys
- 56 - Manufacture Unselector with circuit for electric jigsaw puzzle
- 57 - 5 Dollis' House switches
- 58 - 2 telephone hand sets incorporating ear piece and mike (p)
- 59 - 2 flat solenoids - ideal to make current transformer etc.
- 60 - 5 ferrite rods 4" x 5/16" diameter aerials
- 61 - 4 ferrite slab aerials with L & M wave coils
- 62 - 4 200 earpieces
- 63 - 1 Mullard Thyristor trigger and modules
- 64 - 10 assorted knobs 1/2 spindles
- 65 - 5 different thermostats, mainly bi-metal
- 66 - Magnetic brake - stops rotation instantly
- 67 - Low pressure 3 level switch
- 68 - Heavy duty 4 pole contactor - 24v coil
- 69 - 2 25 watt pots 8 ohm
- 70 - 2 25 watt pots 1000 ohm
- 71 - 5 wire wound pots - 18, 33, 50, and 100 ohm
- 72 - 1 1250 watt dimmer Ultra ref SE20
- 73 - 4 3 watt wire wound pots 50 ohm
- 74 - 50 1/2 watt carbon film resistors food spread 10 values
- 75 - 20 2 watt carbon resistors 10 values
- 76 - 30 1 watt carbon resistors 15 diff values
- 77 - 1 time reminder electronic J-60 mins
- 78 - 5.5 amp stud rectifiers 400V
- 79 - 4 2a bridge rectifiers 400V
- 80 - 2 10a bridge rectifiers 300V
- 81 - 2 30a panel mounting stydyok fuses
- 82 - 4 porcelain fuse holders and fuses
- 83 - 1 fluorescent choke - your choice - 15, 20, 30, 40 or 65 watt
- 84 - 10 1 mains voltage suppressor condensers
- 85 - 1 mains shaded pole motor 7 1/2" stack
- 86 - 2 5" all fan blades 1/2" shaft
- 87 - 2 3" plastic fan blades fit 1/2" shaft
- 88 - Mains motor suitable for above blades
- 89 - 1 mains motor with gear box 1 rev per 24 hours
- 90 - 1 mains motor with gear box 1 rev per 12 hours
- 91 - 2 mains motor with gear box 16 rpm
- 92 - 4 fluorescent starters suit 4 - 80 w tubes
- 93 - 4 11 pin moulded bases for relays
- 94 - 5 87G valve bases
- 95 - 4 skirted 89A valve bases
- 96 - 1 thermostat for fridge
- 97 - 1 infra red fire element 1000 watts
- 98 - 1 motorised stud switch (SH)
- 99 - 5 assorted ferrite shapes
- 100 - 3 ferrite magnets
- 101 - 1 2 1/2 hours delay switch
- 102 - 1 9v mains power supply unit
- 103 - 1 6v mains power supply unit
- 104 - 1 4 1/2v mains power supply unit
- 105 - 1 5 pin flex plug and panel socket
- 106 - 1 12v vibrating reed beepers
- 107 - 5" speaker size radio cabinet with handle
- 108 - 5 different multi way push switches
- 109 - 10 1/2" spindle type volume controls
- 110 - 10 slider type volume controls
- 111 - 2 musical boxes (less keys)
- 112 - 1 heating pad 200 watts
- 113 - 1 fm front end with tuning condenser
- 114 - 1 w amplifier Mullard 1172

With most items quantity buyers get good discounts and save on postage costs.

EX-G.P.O. TELEPHONES

Black heavy type	£5.50
Lightweight 746 type	£7.50
Ex-G.P.O. plug	£1.00
Ex-G.P.O. socket	£1.00

SOUND TO LIGHT UNIT



Complete kit of parts for a three channel sound to light unit controlling over 2000 watts of lighting. Use this at home if you wish but it is plenty rugged enough for disco work. The unit is housed in an attractive two tone metal case and has controls for each channel, and a master on/off. The audio input and output are by 1/4" sockets and three panel mounting fuse holders provide thyristor protection. A four pin plug and socket facilitate ease of connecting lamps. Special price is £14.95 in kit form or £25.00 assembled and tested.

CAR STARTER/CHARGER KIT Flat Battery! Don't worry you will start your car in a few minutes with this unit - 250 watt transformer 20 amp rectifiers, case and all parts with data £16.50 or without case £15.00, post paid.

4/5A BATTERY CHARGER Transformer and rectifier £3.95 & £1 post, 3 kits £12 post paid.

MINI MONO AMP on p.c.b. size 4" x 2" (app.)

Fitted volume control and a hole for a tone control should you require it. The amplifier has three transistors and we estimate the output to be 3W rms. More technical data will be included with the amp. Brand new, perfect condition, offered at the very low price of £11.15 each, or 10 for £10.00.

PRESTEL UNITS

These are brand new

and we understand

tested, came with

manufacturer's

guarantee now void

as the manufacturer

no longer trades.

These originally

sold for over £150.

We offer them

complete, except for

7 plug in i.c.'s and price is only £14.95 (less than the value of the

modern included).

STABILISED POWER SUPPLY (Mains Input)

By LAMDA (USA) Ideal for computer add-ons, d.c. output.

Regulated for line volts and load current. Voltage regulation .1% with input variations up to 20% load regulation 1% from no load to full load - or full load to no load. Complete in heavy duty case. Models available: 5v - 9A £23, 12v - 1.5A

£13.25, 15v - 1.2A £13.25, 24v - 2A £23.

25A ELECTRICAL PROGRAMMER

Learn in your sleep. Have radio playing and kettle boiling as you wake - switch on lights to

ward off intruders - have a warm house to come

home to. You can do all these and more. By a

famous maker with 25 amp on/off switch.

Independent 60 minute memory jogger.

A beautiful unit at £2.50.

THIS MONTH'S SNIP

TOP OF THE POPS LIGHTING

if you use our disco switch ONLY £6.90

These have 12 x 10 amp changeover switches each

rated at 10 amps so a whole street could easily be

lit with one. Switches adjustable and could be set

to give a running light, random flashes, etc. etc. 230

volts main operation. Brand new, made by Honey-

well. Offered at approximately one third of cost.

COMPUTER DESKS

Again available. Computer

desks - size approx 4' x 2' x

2 1/2" high formica covered,

cost over £100 each. Our price

only from £9.50 - you must

collect - hundreds supplied to

schools.

50 THINGS YOU CAN MAKE

Things you can make include Multi range meter, Low

ohms tester, A.C. amp meter, Alarm clock, Soldering

iron minder, Two way telephone, Memory jogger, Live

line tester, Continuity checker, etc. etc., and you will still

have hundreds of parts for future projects. Our 10Kg

parcel contains not less than 1,000 items - panel meters,

timers, thermal trips, relays, switches, motors, drills, taps,

and dies, tools, thermostats, coils, condensers, resistors,

neons, earphone/microphones, nicad charger, power unit,

90% are unused components.

YOURS FOR ONLY £11.50 plus £3.00 post.

REVERSIBLE MOTOR WITH CONTROL GEAR

Made by the famous Franco Company this is a very robust motor

size approximately 7 1/2" long, 3 1/2" dia, 3/8" shaft Tremendously

powerful motor, almost impossible to stop. Ideal for operating

stage curtains, sliding doors, ventilators etc., even garage doors

if adequately counter-balanced. We offer the motor complete

with control gear as follows:

1 Franco motor with gear box

1 manual reversing & on/off switch

£19.50 plus postage £2.50

1 push to start switch

2 limit stop switches

1 circuit diag. of connections

J. BULL (Electrical) Ltd.

(Dept. EE), 34 - 36 AMERICA LANE, HAYWARDS HEATH, SUSSEX RH16 3QU. Established 30 YEARS

MAIL ORDER TERMS: Cash, P.O. or cheque with order. Orders under £12 add 60c service charge. Monthly account orders accepted from schools and public companies. Access & B/cards orders accepted day or night. Haywards Heath (0444) 454563. Bulk orders: phone for quote. Shop open 9.00 - 5.30, Mon to Fri, not Saturday.



Ex-Electricity Board. Guaranteed 12 months.

VENNER TIME SWITCH

Mains operated with 20 amp switch, one on and one off per 24 hrs, repeats daily automatically correcting for the lengthening or shortening day. An expensive time switch but you can have it for only £2.95, without case, metal case - £2.95, adaptor kit to convert this into a normal 24hr. time switch but with the added advantage of up to 12 on/off's per 24 hrs. This makes an ideal controller for the immersion heater. Price of adaptor kit is £2.30.

EXTRACTOR FANS - MAINS OPERATED

Woods extractor.

5" - £6.75, Post £1.25

6" - £6.95, Post £1.25.

5" Planair extractor

£6.50, Post £1.25

4"x4" Muffin 115v.

£4.50, 230v.

£5.75, Post 75p.

All the above ex-computer,

those below are unused.

4" x 4" £8.50, Post 75p.

9" American made

£11.50, post £2.00.

Tangential Blower 10x3

air outlet, dual speed

£4.80 Post £1.50.

TANGENTIAL BLOW HEATER

by British Solartron, as

used in best blow heaters.

3Kw £3.95 complete

with 'cold' half and 'full'

heat switch, safety cut

out and connection diagram.

Please add post £1.50 for 1 or 3 for £2

Still available: £4.95 & £1.50 post. or have 3' for £16 p 2.5 Kw KIT

ROCKER SWITCHES Standard size fit 1.15 x 28 mm cut

out. Single pole on/off - 15p each 1000 for £75. Single pole

changeover 200 each - 1000 for £100. Single pole changeover

with centre off - 25p each - 1000 for £125. Single pole on/off

with neon - 36p - 1000 for £180.

ROCKER SWITCH DP/DT 15 amp 250 volts suitable for

motor reversing etc. - 46p - 100 for £34.50, 1000 for £230.

MICRO SWITCHES V3 type all 250 10 amp SpSt 20p

1000 - £100 SpSt 30p 1000 - £150, very low tongue Spdt

40p 1000 for £200.

The AMSTRAD Stereo Tuner.

This ready assembled unit is the ideal tuner for a music

centre or an amplifier, it can also be quickly made into a

personal stereo radio - easy to carry about and which will

give you superb reception.

Other uses are as a "get you to sleep radio", you could even

take it with you to use in the lounge when the rest of the

family want to view programmes in which you are not

interested. You can listen to some music instead.

Some of the features are: long wave band 115 - 170 KHz,

medium wave band 525 - 1650 KHz, FM band 87 -

108 MHz, mono, stereo & AFC switchable, fully assembled

and fully aligned. Full wiring up data showing you how to

connect to amplifier or headphones and details of suitable

FM aerial (note ferrite rod aerial is included for medium and

long wave bands. All made up on very compact board

Offered at a fraction of its cost: only £6.00

+ £1.50 post + Insurance

MINIATURE WAFER SWITCHES

2 pole, 2 way - 4 pole, 2 way - 3 pole, 3 way -

4 pole, 3 way - 2 pole, 4 way - 3 pole, 4 way -

2 pole, 6 way - 1 pole, 12 way.

All at 25p each or 10 for £2.00

12 volt MOTOR BY SMITHS

Made for use in cars, etc. these are very

powerful and easily reversible. Size

3 1/2" long by 3" dia. They have a good

length of 1/2" spindle -

Price £3.45.

Disto, but double ended £4.25.

MAINS MOTORS

We have very large stocks of motors from 2 watts to 1/2 hp. Most at

a price well below cost, let us know your requirements.

IONISER KIT

Refresh your home, office, shop, work room, etc. with a

negative ION generator. Makes you feel better and work

harder - a complete mains operated kit, case included.

£11.95 plus £2.00 post.

OTHER POPULAR PROJECTS

R C Bridge Kit £9.95

3 Channel Sound to Light - with fully prepared metal case £14.95

Big Ear, listen through walls £9.50

Silent sentinel Ultra Sonic Transmitter and receiver £9.50

Car Light 'left on' alarm £3.50

Secret switch - fools friends and enemies alike £1.95

3 - 30v Variable Power Supply £13.80

2 Short & Medium wave Crystal Radio £3.99

3v to 16v Mains Power Supply Kit £1.95

Radio stethoscope - fault finding aid £4.80

Mug stop - emits piercing squeak £2.50

Morse Trainer - complete with key £2.99

Drill control kit £3.95

Interrupted beam kit £2.50

Transmitter surveillance kit £2.30

Radio Mike £6.90

F M receiver kit - for surveillance or normal F M £3.50

Insulation Tester - electronic megger £7.95

Battery shaver or fluorescent from 12v £6.90

Matchbox Radio - receives Medium Wave £2.95

40 watt amp - hi-fi 20Hz - 20kHz £9.50

115 Watt Amplifier 5Hz 25kHz £13.50

Power supply for 115 watt amps £8.50

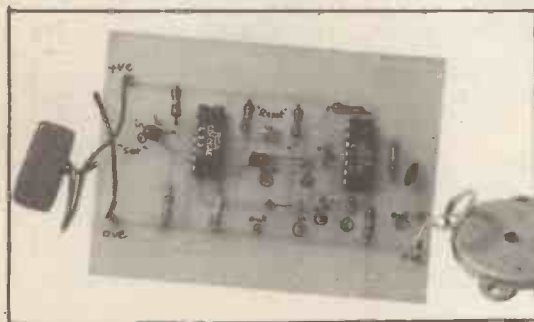
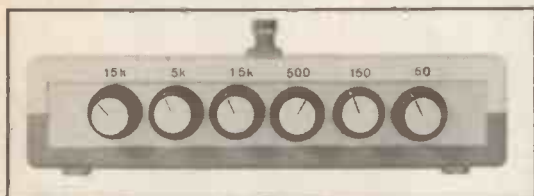
EVERYDAY ELECTRONICS and computer PROJECTS

VOL 14 N°6

JUNE '85

ISSN 0262-3617

PROJECTS . . . THEORY . . . NEWS . . .
COMMENT . . . POPULAR FEATURES . . .



© IPC Magazines Limited 1985. Copyright in all drawings, photographs and articles published in **EVERYDAY ELECTRONICS** is fully protected, and reproduction or imitations in whole or in part are expressly forbidden.

PROJECTS

- GRAPHIC EQUALISER** by R. A. Penfold 304
Six channel musical effects box for performers
- HIGH IMPEDANCE MULTIMETER** by L. S. Cook 308
The f.e.t. input means that this meter draws only microamps of current
- ACROSS THE RIVER** by W. D. Phillips BSc PhD 317
Portable electronic game
- COMPUTERISED SHUTTER TIMER** by R. A. Penfold 320
Turns BBC model B or VIC-20 into a camera tester
- CARAVAN PSU** by T. R. de Vaux Balbirnie 326
Regulator for battery powered equipment (9V, 7.5V, 6V)
- EXPERIMENTER'S TEST BED** by Stephen Ibbs 338
A practical test circuit for monostables, bistables and astables
- ELECTRONIC DOORBELL** by L. S. Cook 346
Low-cost solid state bell with a traditional sound

SERIES

- ON SPEC** by Mike Tooley BA 314
Our regular Spectrum feature: a four-channel output interface
- COMPUTER CLUB** by Thakery 324
A fun outlook on computing—Seekers of the Gold Seal continued
- MONOSTABLES—BISTABLES—ASTABLES** by Stephen Ibbs 334
A close look at one-shots, flip-flops and clocks
- CIRCUIT EXCHANGE** 341
A forum for readers' ideas

FEATURES

- EDITORIAL FOR YOUR ENTERTAINMENT** by Barry Fox 303
Hi Fi Video; Cable Vision
- SHOPTALK** by Mike Abbott 312
Product news and component buying
- SPECIAL REVIEW** by Mike Tooley BA 316
Robotek I/O for the Spectrum
- EVERYDAY NEWS** 328
What's happening in the world of electronics
- BOOK REVIEWS** 330
A selection of recent releases
- DOWN TO EARTH** by George Hylton 332
Basic transistor circuit design
- COUNTER INTELLIGENCE** by Paul Young 343
A retailer comments
- NEW PRODUCTS** 344
Facts and photos of instruments, equipment and tools
- PRINTED CIRCUIT BOARD SERVICE** 348

*Our July 1985 issue will be published on Friday, June 21.
See page 331 for details.*

Readers' Services ● Editorial and Advertisement Departments 303

NEW THIS MONTH

"SENSING & CONTROL PROJECTS FOR THE BBC MICRO"

Have you ever wondered what all those plugs and sockets on the back of the BBC micro are for? This book assumes no previous electric knowledge and no soldering is required, but guides the reader (pupil or teacher) from basic connections of the user sockets, to quite complex projects. The author, an experienced teacher in this field, has provided lots of practical experiments, with ideas on how to follow up the basic principles. A complete kit of parts for all the experiments is also available. Book. 245x185mm 120pp. £5.95. Kt £29.95.

GREENWELD

The Pack People!

K524 OPTO PACK - a variety of single point and seven segment LEDs (incl. dual types) of various colours and sizes, opto isolators, numicators, multi digit gas discharge displays, photo transistors, infra red emitters and receivers. 25 assorted £3.95; 100 £14.95; 250 £36.

K525 PRESET PACK - Big, Big variety of types and sizes - submin. min and std. MP, slider, multiturn and cermet are all included. Wide range of values from 20R to 5M. 100 assorted £6.75; 250 £12.95; 1000 £48.

K526 HEATSINK PACK - Lots of different sizes and shapes of heatsink for most diode and transistor case styles. A pack of 25 assorted including several large finned types - total weight over 1kg £5.50; 100 £19.50.

K528 ELECTROLYTIC PACK - All ready cropped for PCB mounting, this pack offers excellent value for money. Good range of values and voltages from 0.47µF to 1000µF. 6v to 100v £3.95; 250 £8.95; 1000 £32.

K531 PRECISION RESISTOR PACK - High quality, close tolerance R's with an extremely varied selection of values mostly 1/4 and 1/2watt tolerances from 0.1% to 2% - ideal for meters, test gear etc. 250 £3; 1000 £10.

K532 RELAYS - Wide selection of styles, voltages and contacts. 4v-240v, AC/DC, SP to 4PCO. 20 for £6; 100 £25.

K517 TRANSISTOR PACK - 50 assorted full spec marked plastic devices PNP NPN RF AF. Type numbers include BC114 117 172 182 183 198 239 251 214 255 320 BF 198 255 394 2N3904 etc. etc. Retail cost £7+; Special low price 275p.

K523 RESISTOR PACK - 1000 - yes 1000 1/4 and 1/2 watt 5% hi-stab carbon film resistors with pre-formed leads for PCB mounting. Enormous range of preferred values from a few ohms to a several megohms. Only 250p; 5000 £10; 20,000 £36.

K520 SWITCH PACK - 20 different assorted switches - rocker, slide, push, rotary, toggle, micro etc. Amazing value at only 200p.

K522 COPPER CLAD BOARD - All pieces too small for our etching kits. Mostly double-sized fibreglass 250g (approx 110 sq. ins.). For 100p.

K530 100 ASSORTED POLYESTER CAPS - All new modern components, radial and axial leads. All values from 0.01 to 1uf at voltages from 63 to 1000V! Super value at £3.95.

K518 200 DISC CERAMIC CAPS - Big variety of values and voltages from a few pF to 2.2µF; 3v to 3kv £1.00.

K203 100 WIREWOUND RESISTORS - From 1w to 12w, with a good range of values £2.00.

K505 20 ASSORTED POTENTIOMETERS - All types including single, ganged, rotary and slider £1.70.

W4700 PUSH BUTTON BANKS - An assortment of latching and independent switches on banks from 2 to 7 way, DPCC to 6PCO. A total of at least 40 switches for £2.95; 100 £6.50; 250 £14.00.

Goods normally despatched by return of post.

Our shop has enormous stock of components and is open 9.5-30 Mon-Sat. Come and see us!

GREENWELD

All prices include VAT; just add 60p P&P.
Min Access order £5.00 No min. CWO value. Official orders from schools etc. welcome - min invoice charge £10.

1984/85 CATALOGUE

84 page A4 size - Bigger, Brighter, Better - more components than ever before! With each copy there's discount vouchers, Bargain List, Wholesale Discount List, Bulk Buyers List, Order Form and Reply Pad Envelope. All for just £1.00! Winter Supplement now out - Send large SAE for your free copy.

"TORUS"

Computer-controlled Robot built around the gearbox described below. Complete kit of parts inc PCB, program listings for BBC (other micro comp). £44.85. 20W ribbon cable (min 3m recommended - 5m better) £1.30/m. SAE for illustrated leaflet.



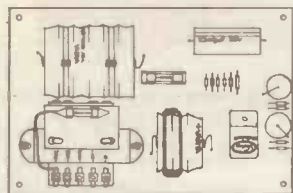
MOTORIZED GEARBOX

The unit has 2 x 3V motors, linked by a magnetic clutch, thus enabling turning of the vehicle, and a gearbox contained within the black ABS housing, reducing the final drive speed to approx 50rpm. Data is supplied with the unit showing various options on driving the motors.

Two new types of wheels can be supplied (the aluminium discs and smaller plastic wheels are now sold out). Type A has 7 spokes with a round black tyre and is 100mm dia. Type B is a solid heavy duty wheel 107mm dia with a flat rigid tyre 17mm wide.

PRICES: Gearbox with data sheets: £5.95

Wheel type A: £0.70 ea
Wheel type B: £0.90 ea



NI-CAD CHARGER PANEL

177x114mm PCB with one massive Varta Deac 57x50mm Ø rated 7.2v 1000mAh and another smaller Deac 32x35mm Ø rated 3.6v 600mA. The price of these Ni-cad stacks new is over £20. Also on the panel is a mains input charger transformer with two separate secondaries wired via bridge rectifiers, smoothing capacitors and a relay to the output tags. The panel weighs 1kgm. All this for just £6.00.

PCB MOUNTING NI-CADS

Much sought after 4.8V 150mA batts with PCB mntg tags on 25mm pitch. Batt size 25x16 Ø. Ideal for paralleling. 99p ea; 10+ 85p; 25+ 70p; 100+ 60p.

NI-CADS: AA 99p; C 199p; D 220p; PP3 395p.

1W AMPLIFIER

Z914 - Audio amp panel 95x65mm with TBA820 chip. Gives 1W output with 9V supply. Switch and vol. control. Just connect batt. and speaker. Full details supplied. Only £1.50; 10 for £12; 25 for £25; 100 £75.

AM TUNER PANEL

Z916 - For use with mono amp above. Neat panel 60x45mm. Only £1.50; 10 for £12.00.

FIBRE OPTICS

Scoop purchase of single and twin cable. For use with visible light or infra-red. Core 1mm dia, overall 2.25mm dia. Single 50p/m; 20m coil £6.30. Twin 90p/m; 20m coil £11.00.

AA117	9	BCY42	20	BF256	18	BU100A	110	TP42A	22	2N705A	22	BY133	40	ZS807	58
AA119	9	BCY56	16	BF262	16	BU104	110	TP42C	25	2N708	22	BY154	40	ZS854	60
AA122	9	BCY70	16	BF263	16	BU105	110	TP42D	25	2N714	22	BY176	40	ZS858	60
AC107	20	BCY71	16	BF270	18	BU108	110	TP48	40	2N719	35	BY179	35	ZS1080	39
AC126	17	BCY72	16	BF273	15	BU110	110	TP50	60	2N730	35	BY182	35	ZS1081	200
AC127	15	BD115	25	BF311	21	BU111	140	TP51	120	2N731	35	BY184	35	ZS1086	78
AC128	15	BD124P	50	BF324	20	BU124	60	TP52	120	2N732	28	BY187	32	ZS1161	110
AC129K	23	BD124	50	BF336	20	BU128	70	TP53	120	2N1613	24	BY196	30	ZS1172	150
AC141K	20	BD128	20	BF337	20	BU204	75	TP54	150	2N266	9	BY206	22	ZS1236	30
AC142X	20	BD131	25	BF338	20	BU205	75	TP105	65	2N1202	50	BY207	11	ZS1307	100
AC153L	23	BD132	25	BF355	28	BU208	75	TP106	65	2N1210	300	BY208	18	ZS1618	120
AC176	18	BD135	25	BF363	20	BU208A	75	TP107	65	2N1212	300	BY209	18	ZS1619	130
AC176K	20	BD136	20	BF367	13	BU209D	100	TP110	47	2N2219	24	BY222	72	ZS1628	75
AC187	15	BD137	20	BF371	10	BU225	55	TP111	50	2N2214	24	BY225	120	ZS1629	120
AC188	20	BD138	20	BF414	14	BU226	55	TP112	50	2N2217	24	BY226	120	ZS1630	120
AC188K	23	BD140	20	BF421	16	BU406	85	TP115	45	2N259	15	BY227	19	ZS1632	120
AC191	40	BD144	50	BF422	12	BU406D	85	TP116	45	2N284	20	BY228	32	ZS1636	50
AC191K	40	BD144	50	BF422	12	BU407	85	TP117	45	2N284	20	BY229	32	ZS1637	50
AC191K	40	BD144	50	BF422	12	BU407D	85	TP118	45	2N284	20	BY230	32	ZS1638	50
AC191K	40	BD144	50	BF422	12	BU407D	85	TP119	45	2N284	20	BY231	32	ZS1639	50
AD116	22	BD166	30	BF425	14	BU409	85	TP125	57	2N287	18	BYX10	15	ZS1640	50
AD152	22	BD177	30	BF438	18	BU426	120	TP126	56	2N296	8	BYX20	18	ZS1641	50
AD174	22	BD178	30	BF459	19	BU506	110	TP127	58	2N319	28	BYX50	20	ZS1642	50
AF125	25	BD181	45	BF461	60	BU506D	100	TP141	30	2N3053	18	BYX500	32	ZS1643	50
AF126	25	BD182	45	BF462	60	BU801	95	TP142	30	2N3054	35	BYX700	24	ZS1644	50
AF126	25	BD183	45	BF463	60	BU806	120	TP145	65	2N3055	35	BYX700	32	ZS1645	50
AF130	22	BD202	38	BF470	20	BU807	120	TP146	65	2N3056	35	BYX700	32	ZS1646	50
AF228	22	BD202	38	BF471	20	CU060	220	TP147	100	2N3440	58	BYX71600	80	ZS1647	50
AL112	100	BD203	42	BF473	20	MU2501	100	TP255	42	2N3442	85	DA74	4	ZS1648	50
AL113	100	BD204	42	BF483	20	MU2501	100	TP256	42	2N3443	85	DA74	4	ZS1649	50
AS215	100	BD222	31	BF494	16	MU2555	35	TP305	42	2N3703	9	DA91	4	ZS1650	50
AS217	100	BD222	31	BF494	16	MU3000	115	TS43	45	2N3704	9	DA91	4	ZS1651	50
AU110	100	BD224	32	BF555	16	MU3001	115	TS44	45	2N3705	9	DA91	4	ZS1652	50
AY102	100	BD225	20	BF587	20	MU298A	30	TS61	15	2N3706	9	IN314	2	ZS1653	50
AY106	180	BD226	20	BF515	30	MU338A	30	TS88A	45	2N3707	9	IN4001	2	ZS1654	50
BA145	10	BD227	20	BF750	20	MU339	30	TS88B	45	2N3708	9	IN4002	2	ZS1655	50
BA148	10	BD228	24	BF883	22	MU330	80	TP91	18	2N3711	85	IN4003	4	ZS1656	50
BA154	6	BD244	50	BF870	22	MU350D	30	TP93	20	2N3772	90	IN4004	4	ZS1657	50
BA157	12	BD245	50	BF932	22	MU2858	30	TK100	88	2N3773	100	IN4005	4	ZS1658	50
BB101	10	BD433	20	BF960	38	OC28	100	VN10KM	60	2N3819	29	IN4006	4	ZS1659	50
BB103	16	BD434	20	BF963	40	OC29	100	VN16AF	88	2N3866	68	IN4007	5	ZS1660	50
BB106B	18	BD435	31	BF964	40	OC35	100	VN18AF	100	2N3803	11	IN4148	8	ZS1661	50
BD206B	24	BD437	20	BF966	40	OC36	120	VN18AF	115	2N3804	11	IN4500	9	ZS1662	50
BC107	7	BD438	35	BF940	25	OC45	50	VN18AF	110	2N3805	11	IN4501	10	ZS1663	50
BC108	7	BD439	35	BF941	25	OC71	50	ZK102	27	2N4027	27	IN4502	10	ZS1664	50
BC109	7	BD440	35	BF962	21	OC72	50	ZK108	11	2N4035	25	IN4503	11	ZS1665	50
BC115	10	BD441	40	BF979	25	OC200	180	ZK109	12	2N4036	25	IN4504	11	ZS1666	50
BC118	11	BD442	40	BF980	12	FO08B	100	ZK212	27	2N4037	16	IN4505	12	ZS1667	50
BC140	10	BD533	50	BF991	99	R2010B	100	ZK300	13	2N4038	13	IN4506	13	ZS1668	50
BC141	10	BD534	50	BF992	20	TA54443	76	ZK301	16	2N4443	76	IN4507	13	ZS1669	50
BC142	10	BD535	50	BF993	20	TA54444	76	ZK302	16	2N4444	76	IN4508	13	ZS1670	50
BC143	10	BD536	50	BF995	20	TP29	20	ZK303	24	2N4445	76	IN4509	13	ZS1671	50
BC147	6	BD537	40	BF987	15	TP29A	22	ZK304	17	2N5294	30	IN4510	13	ZS1672	50
BC148	6	BD538	40	BF988	15	TP29B	22	ZK305	17	2N5295	30	IN4511	13	ZS1673	50
BC149	6	BD539	40	BF989	15	TP29C	22	ZK306	17	2N5296	30	IN4512	13	ZS1674	50
BC157	6	BD576	40	BF917	30	TP30C	30	ZK307	13	2N5107	40	IN4513	13	ZS1675	50
BC159	6	BD577	40	BF918	30	TP30A	24	ZK308	13	2N5108	40	IN4514	13	ZS1676	50
BC182	6	BD678	40	BF941	20	TP31C	30	ZK309	18	2N5109	40	IN4515	13	ZS1677	50
BC182L	6	BD679	40	BF950	14	TP42	24	ZK350	18	2N5110	40	IN4516	13	ZS1678	50
BC183	6	BD680	40	BF951	14	TP20A	24	ZK351	18	2N5111	40	IN4517	13	ZS1679	50
BC184	6	BD681	40	BF952	14	TP20C	24	ZK352	18	2N5112	40	IN4518	13	ZS1680	50
BC184L	6	BD682	40	BF953	14										

MARCO TRADING

TRANSISTORS			PRE-SETS			FUSES			74LS			RESISTOR KITS			
AC128	0.30	BU407	1.65	Vert + Horiz		QB 20mm	100 mA to 6.3A:	LS00	28p	1/4W Pack 10	each value E12 10R-1M				
AC176	0.28	MJ2955	0.90	100r to 1M	10p	6p each	100 for £3.50	LS01	28p	Total:	610 resistors		ONLY 4.80		
AF239	0.68	OC45	0.58		100 for £6.50	Slow Blow	20mm 100mA to 200mA:	LS02	28p	1/4W Pack 5	each value E12 10R-1M		ONLY 2.75		
BC107	0.10	OC71	0.50	CERAMIC CAPACITORS			20p, 100 for £15.00	LS03	28p	Total:	305 resistors		ONLY 5.25		
BC108	0.10	OC72	0.52	All 50V:		Slow Blow	20mm 20mA to 800mA:	LS04	32p	1/2W Pack 10	each value E12 2R2-2M2		ONLY 5.25		
BC109	0.10	TIP31A	0.44	1p to 10nf	4p each	12p, 100 for £7.50	1A to 6.3A:	LS05	33p	Total:	730 resistors		ONLY 5.50		
A.B.C.	0.12	TIP32A	0.42	100 for £2.75		10p, 100 for £5.00		LS08	28p	50V Ceramic Kit 5	ea. value		£3.50 ea.		
BC147	0.09	TIP33C	0.88	COPPER WIRE			L.I.E.D.'s		LS10	28p					
BC182	0.09	TIP34A	0.72	Tinned + Enamelled		RED : 3mm + 5mm	10p each,	LS12	33p	SOLDERING AIDS					
BC182L	0.09	TIP2955	0.60	copper wire		YELLOW: 3mm + 5mm	13p each,	LS13	33p	Antex 15W iron	5.00	TELECOM EQUIP			
BC184	0.09	TIP3055	0.60	2oz reels: 14 to 38 swg		GREEN: 3mm + 5mm	13p each,	LS14	58p	Antex 18W iron	5.00	BT Plug & 3M lead	1.25		
BC184L	0.09	TIS43	0.88	per reel	£1.00		100 for £10.00	LS15	25p	Antex 25W iron	5.20	BT MASTER SOCKET	2.85		
BC212	0.09	TIS38	0.40	ZENER DIODE			C-MOS		LS16	28p	Antex Elements	2.00	BT Sec Skt	1.95	
BC212L	0.09	2N3055	0.73	400 mW 3v to 75v:		4000	0.24 4021	0.58 4036A	2.75	Antex Bits	0.95	BT 4-core cable	1M 0.15	100M 12.00	
BCY70	0.15	2SC1096	0.68	1 watt 3v3 to 200v:		4001	0.24 4022	0.96 4038	0.75	Antex stands	1.90	ROTARY POTS			
BD131/2	0.34	2SC1173Y	0.82	8p each		4002	0.25 4023	0.35 4039A	2.80	Desolder Tool	4.50	0.25W Carbon Log & Lin			
BD133	0.56	2SC1306	0.92	15p each		4007	0.25 4024	0.50 4040	0.60	Spare nozzle	0.45	1K-2M2	10 3.00		
BD135	0.32	2SC1307	0.40	100 for £12.50		4011	0.24 4025	0.24 4042	0.50	25W Kit-iron with 13A plug & stand	ONLY 7.20	Any 100 28.00			
BD136	0.36	2SC1957	0.76	VOLTAGE REGULATORS			4012	0.24 4027	0.45 4043	0.42	NI-CAD CHARGER				
BF115	0.24	2N3055	0.73	78L05/12/15	0.30	4013	0.56 4028	0.45 4044	0.50	Universal charger to charge PP3, AA, C, D	PRICE 6.00	VEROBOARD			
BF184	0.32	2SC2029	2.10	7505/12/15	0.55	4014	0.60 4029	0.75 4046	0.60			2 1/2 x 3 1/4	0.85		
BF185	0.32	2SC2078	1.05	LM317K	3.50	4015	0.60 4030	0.35 4049	0.38			2 1/2 x 5	1.00		
BF194	0.08	2SC1266	1.20	PLASTIC BOXES			4016	0.40 4031	1.30 4050	0.36			2 1/2 x 7	3.07	
BF195	0.10	3SK88	0.65	3 x 2 x 1"	0.35	4017	0.60 4033	1.25 4051	0.70			3/4 x 7	1.05		
BF196	0.10	40673	0.80	4 x 2 1/2 x 2"	0.65	4018	0.60 4034	1.46 4052	0.60			3/4 x 5	1.15		
BF197	0.10			4 1/2 x 4 x 1 1/2"	0.83	4020	0.85 4035	0.70 4053	0.60			3/4 x 17 1/2	4.10		
BF200	0.38			4 1/2 x 4 x 2 1/2"	1.15	DIODES			LS163	72p	4 1/2 x 17 1/2	4.95			
BF224	0.20			8 1/2 x 5 x 3 1/4"	2.15	IN916	0.04	AA119	0.12	LS166	1.95	Skt of 100 pins	0.30		
BF244	0.26			Colour Black, all boxes with lids and screws.		IN4001	0.05	AA129	0.18	LS170	1.00	Spice face cutter	1.48		
BF244A	0.28			TRANSFORMERS			IN4004	0.06	AA130	0.16	LS244	1.75	Pin insert tool	1.85	
BF244B	0.30			British made transformers at very attractive prices		IN4005	0.06	BA100	0.24	LS245	2.00	Wiring Pen & Spool	4.50	Wero Strip	3.85
BF259	0.30			Primary Secondary Current 1+ 10+ 100+		IN4007	0.07	BY126	0.12	LS257	73p	Dip Board	3.85	Vero Strip	1.25
BF262	0.30			240v: 6-0-6v 100mA 0.53 0.43		IN4148	0.05	BY127	0.10	LS393	1.15	CHART RECORDERS			
BF263	0.30			240v: 6-0-6v 500mA 0.65 0.60 0.48		IN4149	0.06	BY133	0.16	Brand new 3 channel pen recorders complete with charts spares kit. Full spec. upon request - Once only bargain £40 + £10 p&p plus 15% VAT.					
BF337	0.30			Carriage 45p per transformer. £1.60 per 10.		IN5400	0.12	BY184	0.40	TERMINAL BLOCKS					
BF338	0.38			ORDERING All components are brand new and to full specification. Please add 50p postage/packing (unless otherwise specified) to all orders then add 15% VAT to the total. Either send cheque/cash/postal order or send/telephone your Access or Visa number. Official orders from schools, universities, colleges, etc, most welcome. Do not forget to send for our 1985 catalogue - only 65p per copy. All orders despatched by return of mail. NEW RETAIL 1,000 sq ft shop now open Mon-Fri 9.00-5.00, Sat 9.00-12.00											

MARCO TRADING (DEPT EE6)
 The Maltings
 High Street
 Wern, Shropshire SY4 5EN
 Tel: 0939 32763 Telex: 35565

QUALITY COMPONENTS... FAST!

SEMICONDUCTORS				CONNECTORS				CAPACITORS				RESISTORS			
AC127	35p	BU208	280p	40178E	28p	40668E	26p	4mm PLUGS - Black and red 15p EACH, Green, White, Yellow, Brown and Blue - 15p EACH.				1% 0.4 WATT METAL FILM			
AC128	35p	CA3046	99p	40178E	38p	40678E	250p	4mm CHASSIS SOCKETS Above colours - 15p EACH.				These high quality resistors are supplied singly or in bargain packs. All E24 values 1R - 1M are available:			
AD161	58p	CA3080E	135p	40188E	68p	40688E	28p	4mm TERMINAL POSTS Above colours - 44p EACH.				ONLY 2p EACH! ...OR			
AD162	60p	CA3140	30p	40198E	65p	40698E	30p	PLASTIC PHONO PLUGS Black, Red, White, Blue, Yellow - All 12p EACH.				PACK 1: 10 of each value = 1210 resistors			
BC107B	17p	CA3189	240p	40198E	35p	40708E	38p	BNC CONNECTORS Line Plug - 99p Line Socket - £1.15 Chassis Socket - 48p				£21.95			
BC108C	16p	CA3240	145p	40178E	55p	40718E	21p	D-RANGE PLUGS 9 WAY - £1.32 15 WAY - £1.42 25 WAY - £1.46				PACK 2: 5 of each value = 605 resistors			
BC109C	17p	LF347	175p	40188E	61p	40728E	90p	D-RANGE SOCKETS 9 WAY - £1.32 15 WAY - £1.36 25 WAY - £1.30				£10.99			
BC140	37p	LF351	75p	40198E	41p	40738E	28p	BT CONNECTORS Line cord & plug - £1.92 Wall Socket - £2.94							
BC141	36p	LF353	90p	40208E	65p	40758E	35p	DIN PLUGS - 2pin - 12p; 3pin - 15p; 4pin - 33p; 5pin 180 - 17p; 6pin - 42p; 7pin - 24p; 8pin - 62p							
BC188C	12p	LM301A	33p	40218E	65p	40768E	74p	SEE THE 1985 CATALOGUE FOR A HUGE RANGE OF COMPONENTS							
BC169C	12p	LM311	96p	40228E	72p	40778E	32p								
BC182L	12p	LM380	165p	40238E	28p	40788E	32p								
BC183L	15p	LM381	180p	40248E	43p	40818E	28p								
BC184L	16p	LM382	150p	40258E	28p	40828E	28p								
BC212	14p	LM384	170p	40268E	110p	40858E	59p								
BC214	12p	LM387	175p	40278E	38p	40898E	140p								
BC327	14p	LM389	150p	40288E	55p	40938E	45p								
BC328	14p	LM391A	385p	40298E	68p	40948E	110p								
BC337	14p	MJ2955	115p	40308E	130p	40988E	80p								
BC347	9p	ML922	505p	40328E	65p	40998E	96p								
BC348	12p	MPF102	85p	40338E	59p	41016	44p								
BC349	12p	NE555	37p	40358E	65p	41018	85p								
BCY70	23p	NE566	65p	40388E	85p	41012	68p								
BCY71	22p	NE565	155p	40408E	60p	40174	72p								
BD131	49p	NE566	160p	40418E	69p	40194	73p								
BD132	50p	OC200	9p	40428E	56p	45028E	60p								
BD135	37p	OA47	21p	40438E	60p	45038E	55p								
BD139	40p	OA90	3p	40448E	63p	45088E	150p								
BD140	40p	OA11	10p	40458E	115p	4510	65p								
BD180	45p	SL490	320p	40468E	75p	4511	70p								
BF259	37p	TDA1022	640p	40478E	75p	45208E	65p								
BF259	37p	TDA1024	113p	40488E	50p	45688E	310p								
BF293	34p	TIP122	95p	40498E	56p	7108	810p								
BF84	34p	TIP127	75p	45098E	36p	7107	810p								
BF84S	37p	TIP2955	95p	45098E	60p	741	28p								
BF87	31p	TIP3055	87p	45288E	60p	748C	59p								
BF88	35p	TIP311	36p	45298E	28p										
BF950	31p	TIP41A	45p	45408E	75p										
BF951	38p	TIP42	45p	45408E	75p										
BF952	31p	VN110KM	32p	45408E	82p										
BU295	20p	VN645F	188p	40418E	28p										

AB MICROSYSTEMS

All Mail to: P.O. BOX 12, SWINTON, MANCHESTER M27 3WS.
 PRICES INCLUDE VAT @ 15%. POSTAGE: PLEASE ADD 30p TO ORDERS UNDER £5. OFFICIAL ORDERS WELCOME. DESPATCH NORMALLY 24 HRS. E.&O.E.
 REGISTERED OFFICE: 2 HULME STREET, MANCHESTER 1. CALLERS BY APPOINTMENT ONLY

Rapid Electronics

MAIL ORDERS:
Unit 3, Hill Farm Industrial Estate,
Boxted, Colchester, Essex CO4 5RD.
Tel. Orders: Colchester (0206) 36412.
Telex: 987756.

ACCESS AND BARCLAYCARD WELCOME

MIN. D CONNECTORS

9 way	15 way	25 way	37 way
Plugs solder lugs	55p	66p	90p
Right angle	90p	135p	200p
Sockets solder lugs	80p	100p	135p
Right angle	120p	180p	290p
Covers	100p	90p	100p



27128-250 £7.50

Brand new Hitachi product. Ideal for use with the BBC Micro. Please note this price is not a misprint!!!

CONNECTORS

DIN Plug Skt	2.5mm	10p
2 pin	9p	3.5mm
5 pin	13p	11p
9 pin	13p	11p
13 pin	11p	Standard 16p
15 pin	12p	Stereo
24 pin	25p	18p
1mm 12p	13p	4mm
1mm 12p	13p	4mm
PHO (C8) Connectors		
PL259 Plug 40p.	Reducer 14p.	
SO239 square chassis skt 38p.		
SO239S round chassis skt 40p.		
IEC 3 pin 250V/6A.		
Plug chassis mounting		38p
Socket with 2 pin lead		60p
Socket free from 2 pin lead		120p

TRANSFORMERS

3VA PCB Mounting	2x1V@0.25A, 2x0.60V, 1.5A	
2x12V@0.12A, 2x15V@0.1A	180p	
6VA PCB Mounting	2x6V@0.5A, 2x9V@0.4A	
2x12V@0.3A, 2x15V@0.25A	270p	
Standard Chassis Mounting	6VA: 2x6V@0.5A, 2x9V@0.4A	
2x12V@0.3A, 2x15V@0.25A	240p	
12VA: 2x6V@1A, 2x9V@0.6A		
2x15V@0.4A, 2x20V@0.3A	350p	

SOLDERING IRONS

Antex CS 17W Soldering iron	430
2.3 and 4.7mm bits to suit	85
Antex XS 25W soldering iron	530
3.3 and 4.7mm bits to suit	85
Solder pump desoldering tool	480
Spare nozzle for above	70
10 metres 22 swg solder	100
0.5kg 22 swg solder	750

VERO

Verobloc	395
Veroboard Size 0.1 in matrix	
2.5 x 5	26
2.5 x 3.75	95
3.75 x 5	120
3.75 x 17	350
4.75 x 17	455
VO board	190
Veropack per 100:	
Single sided	55
Double sided	65
Spot face cutter	145
Pin insertion tool	185
Wiring pen	375
Spare spool 75p	Combs

MICRO

27126	310	4116P4	70	6800	200	6522	330
2532	380	4164-15	480	6801	600	6561	520
2732 one time programmable		41256-15	2850	6802	400	6581	520
280		280A CPU 290	320	6803	600	6581	520
2732	430	280A CTC 320	6875	6804	360	8251	350
2764-250	430	280A ST 880	6880	6850	165	8253	370
2764 BBC 430		280A DMA 880	6502	6852	240	8255	320
				6854	360	8259	400
				6880	100	MC1488	70
				6502	370	MC1489	70

COMPONENT KITS

0.25W Resistor Kit. Contains 1000 0.25W 5% resistors from 4.7 ohms thru to 10M. Quantities depend upon popularity i.e. 10x10R, 30x470R, 30x10K, 25x470K. Just £7.90

Ceramic capacitor Kit. Total of 250 miniature ceramic capacitors from 22p to 0.1u. Just £6.90

Polyester capacitor Kit. Total of 110 miniature polyester capacitors from 0.01u to 0.47u. Just £6.90

Preset Kit. Total of 110 miniature preset resistors from 100R to 1M. Horizontal mounting type. Just £6.90

Radial Electrolytic Capacitor Kit. A pack containing total of 93 miniature caps from 1u to 2200u. Just £7.50

Nut and Bolt Kit. Contains 800 assorted items, 100 each 6BA, 1in, 1/2in, nuts and washers, 4BA 1/2in, 3/4in, 1in, nuts and washers. Just £3.20

SWITCHES

Submit toggle
SPST 50p, SPDT 60p, DPDT 65p.
Miniature toggle
SPDT 80p, SPDT centre off 90p, DPDT 90p, DPDT centre off 100p.
Standard toggle
SPST 35p, DPDT 48p
Miniature DPDT side 14p.
Push to break 15p.
Push to break 22p.
Rotary type adjustable stop.
1P12W, 2P6W, 3P4W all 55p each.
DIL switches
4PST 80p 6PST 80p, 8PST 100p.
Min. DPDT side 14p, Push-make 15p.

SOCKETS

8 pin	7p	28p
14 pin	9p	45p
18 pin	10p	50p
20 pin	12p	60p
22 pin	15p	75p
24 pin	17p	82p
28 pin	15p	95p
40 pin	25p	135p
Professional ZIF sockets		
24 pin 430p	28 pin 480p	
40 pin 595p		

CABLES

20 metre pack single core connecting cable ten different colours.	75p
Speaker cable	10p/m
Standard screened	16p/m
Twin screened	24p/m
2.5A 3 core mains	23p/m
10 way rainbow ribbon	26p/m
20 way rainbow ribbon	47p/m
10 way grey ribbon	14p/m
20 way grey ribbon	28p/m

HARDWARE

PP3 battery clips	6
Red or black crocodile clips	15
Black pointer centre knob	15
Pr. Ultrasonic transducers	390
6V Electronic buzzer	65
12V Electronic buzzer	70
12V Piezo transducer	75
64mm 6 ohm speaker	70
64mm 8 ohm speaker	70
20mm panel fuseholder	25
Red or black probe clip.	33
4mm terminals	21
12 way 'chocolate' block	33
Ultra min. 6 or 12v rel. SPDT	130
ditto, but DPDT	195

CAPACITORS

Polyester, radial leads. 250v. C280 type: 0.01, 0.015, 0.022, 0.033 - 6p; 0.047, 0.068, 0.1 - 7p; 0.15, 0.22 - 9p; 0.33, 0.47 - 13p; 0.68 - 20p; 1 - 23p.

Electrolytic, radial or axial leads: 0.47/63V, 1/63V, 2.2/63V, 4.7/63V, 10/25V - 9p; 22/25V, 47/25V - 6p; 100/25V - 9p; 220/25V - 14p; 470/25V - 5p; 1000/25V - 30p; 2200/25V - 50p.

Tag end power supply electrolytics: 2200/40V - 110p; 4700/40V - 160p; 2200/63V - 140p; 4700/63V - 230p

Polyester, miniature Siemens PCB: 1n, 2n, 3n, 4n, 7n, 8n, 10n, 15n, 22n, 33n, 47n, 68n, 80p, 100n, 9p; 150n, 11p, 220n, 130p, 330n, 20p; 470n, 26p, 680n, 29p; 1u 33p;

REGULATORS

78L05	30	79L05	45
78L12	30	79L12	45
78L15	30	79L15	45
7805	40	7905	45
7812	40	7912	45
7815	45	7915	45
LM317K	270	LM723	40
LM317T	90	78H05	550
LM323K	420		

EURO CONNECTORS

Gold flashed Pr. angle Wirewrap contacts:		
64 way A+B	195	230
64 way A+C	220	270
96 way A+B+C	320	330

DIODES

BY127	12	1N4002	5
0A47	10	1N4006	7
0A90	8	1N4007	7
0A91	7	1N5401	12
0A208	8	1N5404	16
1N914	4	400mZeners	13
1N1414B	3	1.3W Zeners	6

TRIACS

400V 8A	65
400V 16A	95
400V 4A	50
BR100	25

NEW 1985 CATALOGUE

Our new fully illustrated 60 page detailed information on over 3000 products lines at the most competitive prices in the market. The catalogue costs just 70p including postage or free with orders over £20 in value. Send for your copy today!

OPTO

3mm red	8	5mm red	8
3mm green	11	5mm green	11
3mm yellow	11	5mm yellow	11
Clips to suit - 3p each.			
Rectangular:			
red	12	TIL111	40
yellow	17	TIL78	40
ILD74	95	ILQ74	85
TIL38	35	TIL100	75
2N5777	45	Tri-color Led 35	
Seven segment displays:			
Com cathode		Com anode	
DL704 0.3"	95	DL703 0.3"	95
FND5000.5"	100	FND5007.5"	100
10 bar DIL LED display	red	180	
5mm superbright LED 250mcd	red	30	

COMPUTER CONNECTORS

ZK81 2 x 23 way edge connector wire wrap for ZK81	150
SP4000 2 x 28 way edge connector wire wrap	200
AMPHENOL PLUGS	
24 way IEEE IDC	450
36 way Centronics IDC	490

RIBBON CABLE

Grey Ribbon cable. Price per foot	
14 way	34
16 way	25
20 way	28
26 way	38
30 way	60

BRIDGE RECTIFIERS

2A 200V	45
2A 400V	40
6A 100V	40
6A 400V	95
20 VM18 DIL 0.8A	50
1A 50V	20
1A 400V	35

IDC CONNECTORS

PCB Plug	St.	Rt. ang.	Conn.
10 way	70	70	-
16 way	75	80	80
20 way	90	90	130
24 way	105	110	115
40 way	140	130	180
50 way	165	160	240
60 way	195	195	200

LINEAR

IC7611	98	LM358	50	LM3915	265	NE567	130	TDA1024	115
LM7421	190	LM377	210	LM1360C	110	NE570	370	TL801	40
555CMOS	80	LM380	80	MC1370	350	NE571	370	TL062	65
556CMOS	150	LM380	150	MC1496	70	NE5532	160	TL064	105
709	35	LM382	130	MC3302	75	NE5554	105	TL071	38
741	16	LM384	140	MC3340	130	RC4136	65	TL072	60
748	35	LM385	90	MF10CN	330	RC4558	40	TL074	110
W31270	720	LM390	120	ML222	390	SL486	195	TL081	30
AY38910	390	LM393	60	ML324	290	SL490	220	TL082	50
AY38912	430	LM393	60	ML324	290	SL76018	150	TL084	105
CA3046	65	LM711	60	ML326	290	SN76477	380	TL170	50
CA3080E	65	LM725	70	ML327	210	SP825	250	UA2240	140
CA3089	320	LM732	325	ML328	210	SP056AL242	55	ULN2003	80
CA3090AO	375	LM301A	16	ML329	210	Speech data	50	ULN2004	80
CA3130E	85	LM311	45	ML747	60	NE529	225	TBA800	365
CA3140E	38	LM318	135	LM748	35	NE531	135	TBA810	90
CA3160	95	LM324	45	LM1458	35	NE544	170	TBA820M	65
CA3136	100	LM342	85	LM2917N8	195	NE555	20	TBA950	220
CA3181	250	LM352	180	LM390	45	NE556	45	TCA940	165
CA3240E	100	LM339	40	LM3909	85	NE565	115	TDA1008	320
IC12106	680	LM348	60	LM3914	265	NE566	140	TDA1022	490
								ULN248E	40
								ULN459	285
								ULN1034E	200

TRANSISTORS

AC125	35	BC158	11	BC657	10	2N1613	30	2N3906	40
AC126	30	BC158	10	BC658	10	2N218A	45	2N4037	45
AC127	30	BC159	8	BC659	10	2N219A	28	2N4058	10
AC128	30	BC160	40	BC672	16	2N221A	25	2N4060	10
AC1									

Full Kits inc. PCBs, or veroboard, hardware, electronics, cases (unless stated). Less batteries.
If you do not have the issue of E.E. which includes the project - you will need to order the instruction reprint as an extra - 70p each. Reprints available separately 70p each + p&p 60p.

THIS MONTH'S KITS SAE or 'phone for prices

AMSTRAD CPC 464 May 85	£15.34
MAINS VERSION	£22.48
VOLTAGE PROB May 85	£21.34
AUTO PHASE May 85	£16.39
CARAVAN INDICATORS May 85	£6.11
INSULATION TESTER Apr. 85	£16.96
LOAD SIMPLIFIER Feb. 85	£16.98
SOLID STATE REVERB Feb. 85	£39.98
GAMES TUNER Jan. 85	£7.63
SPECTRUM AMPLIFIER Jan. 85	£5.98
TV AERIAL PRE-AMP Dec. 84	£12.36
Optional PSU 12V £2.03.	240V £9.86
MINI WORKSHOP POWER SUPPLY Dec. 84	£34.98
DOOR CHIME Dec. 84	£14.91
BBC MICRO AUDIO STORAGE SCOPE INTERFACE Nov. 84	£28.77
PROXIMITY ALARM Nov. 84	£17.98
MAINS CABLE DETECTOR Oct. 84	£4.39
MICRO MEMORY SYNTHESIZER Oct. 84	£47.98
DRILL SPEED CONTROLLER Oct. 84	£6.89
GUITAR HEAD PHONE AMPLIFIER Sept. 84	£6.38
SOUND OPERATED FLASH less lead Sept. 84	£5.91
TEMPERATURE INTERFACE FOR BBC MICRO Aug. 84	£19.70
CAR RADIO BOOSTER Aug. 84	£13.87
ULTRASONIC BURGLAR ALARM July 84 inc relay + sounder	£28.40
CAR LIGHTS WARNING July 84	£7.99
VARICAP AM RADIO May 84	£10.43
EXPERIMENTAL POWER SUPPLY May 84	£18.72
SIMPLE LOOP BURGLAR ALARM May 84	£13.62
MASTERMIND TIMER May 84	£5.44
FUSE/DIODE CHECKER Apr. 84	£3.45
QUASI STEREO ADAPTOR Apr. 84	£10.90
DIGITAL MULTIMETER add on for BBC Micro Mar. 84	£24.98
NI-CAD BATTERY CHARGER Mar. 84	£9.85
REVERSING BLEEPER Mar. 84	£6.78
PIPE FINDER Mar. 84	£3.60
IONISER Feb. 84	£23.98
ZX81 EPROM PROGRAMMER Feb. 84	£14.48
SIGNAL TRACER Feb. 84	£14.89
CAR LIGHT WARNING Feb. 84	£3.76
GUITAR TUNER Jan. 84	£17.73
BIOLOGICAL AMPLIFIER Jan. 84	£19.16
CONTINUITY TESTER Dec. 83	£9.99
CHILDREN'S DISCO LIGHTS Dec. 83	£8.42
NOVEL EGG TIMER Dec. 83 inc. case	£10.24
SPEECH SYNTHESIZER FOR THE BBC MICRO Nov. 83 less cable + sockets	£21.98
MULTIMOD Nov. 83	£16.98
LONG RANGE CAMERA/FLASHGUN TRIGGER Nov. 83	£13.50
HOME INTERCOM less link wire Oct. 83	£14.38
DIGITAL TO ANALOGUE BOARD Oct. 83	£19.98
less cable, case & connector	
HIGH POWER DAC DRIVER BOARD Oct. 83 less case	£12.52
A TO D CONVERTER FOR RM3802 Sept. 83 inc plug	£35.98
HIGH SPEED A TO D CONVERTER Sept. 83 less cable & connector	£27.98
SIGNAL CONDITIONING AMP Sept. 83 no case	£8.98

TOOLS

ANTEX MODEL C IRON	£6.98
ANTEX X5 SOLDERING IRON 25W	£7.25
ST4 STAND FOR IRONS	£2.85
HEAT SINK TWEEZERS	45p
SOLDER HANDY SIZE 5	£1.39
SOLDER CARTON	£2.50
SOLDER REEL SIZE 10	£4.67
LOW COST PLIERS	£1.98
LOST COST CUTTERS	£1.99
BENT NOSE PLIERS	£1.89



STORAGE SCOPE INTERFACE FOR BBC MICRO Aug 83 less software	£15.38
PEDESTRIAN CROSSING SIMULATION BOARD Aug 83 no case	£10.29
HIGH POWER INTERFACE BOARD Aug 83 no case	£10.38
USER PORT I/O BOARD less cable + plug	£10.49
USER PORT CONTROL BOARD July 83 less cable + plug + case	£25.14
GUITAR HEADPHONE AMPLIFIER May 83	£7.92
MW PERSONAL RADIO less case, May 83	£7.62
MOISTURE DETECTOR May 83	£5.46
CAR RADIO POWER BOOSTER April 83	£11.99
FLANGER GENERATOR April 83	£45.98
FLANGER SOUND EFFECTS April 83	£24.17
NOVELTY EGG TIMER April 83 less case	£5.48
DUAL POWER SUPPLY March 83	£59.38
BUZZ OFF March 83	£4.51
PUSH BIKE ALARM Feb. 83	£11.73
ZX TAPE CONTROL Nov. 82	£7.13
G. P. PRE-AMP Oct. 82	£6.09
CONTINUITY CHECKER Sept. 82	£5.47
2-WAY INTERCOM July 82 no case	£4.52
ELECTRONIC PITCH PIPE July 82	£5.40
REFLEX TESTER July 82	£7.77
SEAT BELT REMINDER Jun. 82	£4.10
EGG TIMER June 82	£5.44
CAR LED VOLTMETER less case, May 82	£3.18
V.C.O. SOUND EFFECTS Unit Apr. 82	£12.71
CAMERA OR FLASH GUN TRIGGER Mar. 82	
£13.65 less tripod bushes	
POCKET TIMER Mar. 82	£4.10
GUITAR TUNER Mar. 82	£17.19
SIMPLE STABILISED POWER SUPPLY Jan. 82	£26.98
MINI EGG TIMER Jan. 82	£4.40
SIMPLE INFRA RED REMOTE CONTROL Nov. 81	£18.70
CAPACITANCE METER Oct. 81	£25.81
SUSTAIN UNIT Oct. 81	£13.99
TAPE NOISE LIMITER Oct. 81	£4.98
HEADS AND TAILS GAME Oct. 81	£2.75
CONTINUITY TESTER Oct. 81	£4.48
PHOTO FLASH SLAVE Oct. 81	£3.80
FUZZ BOX Oct. 81	£7.98
SOIL MOISTURE UNIT Oct. 81	£5.39
0-12V POWER SUPPLY Sept. 81	£19.48
COMBINATION LOCK July 81 less case	£21.58
SOIL MOISTURE INDICATOR E.E. May 81	£4.49
GUITAR HEADPHONE AMP E.E. May 81	£4.66
PHONE BELL REPEATER/BABY ALARM May 81	£6.15
INTERCOM April 81	£24.43
MODULATED TONE DOORBELL Mar. 81	£7.35
2 NOTE DOOR CHIME Dec. 80	£11.35
LIVE WIRE GAME Dec. 80	£12.87
GUITAR PRACTICE AMPLIFIER Nov. 80	
£14.10 less case. Standard case extra	£4.99
SOUND TO LIGHT Nov. 80 3 channel	£23.40
TRANSISTOR TESTER Nov. 80	£12.80
AUDIO EFFECTS UNIT FOR WEIRD SOUNDS Oct. 80	£14.40
IRON HEAT CONTROL Oct. 80	£6.30
MICRO MUSIC BOX Feb. 80	£17.86
Case extra	£3.60
SPRING LINE REVERB UNIT Jan. 80	£27.20
UNIBOARD BURGLAR ALARM Dec. 79	£6.70
DARKROOM TIMER July 79	£3.20
MICROCHIME DOORBELL Feb. 79	£17.48
SOUND TO LIGHT Sept. 78	£9.20
CAR BATTERY STATE INDICATOR less case Sept. 78	£2.29
R.F. SIGNAL GENERATOR Sept. 78	£31.20
IN SITU TRANSISTOR TESTER Jun. 78	£7.50
WEIRD SOUND EFFECTS GENERATOR Mar. 78	£6.20
ELECTRONIC DICE Mar. 77	£4.96



MINI DRILL 12V (MD1)	£8.38
MULTIMETER TYPE 1 1000cpv	£6.98
MULTIMETER TYPE 2 20,000cpv	£17.98
MULTIMETER TYPE 3 30,000cpv	£27.98
MULTIMETER TYPE 4 10M DIGITAL	£39.98
DESOLDER PUMP	£5.48
SIGNAL INJECTOR	£2.98
CIRCUIT TESTER	78p
HELPING HANDS JIG & MAGNIFIER	£7.98
MINIATURE VICE (PLASTIC)	£1.85

OUR PRICES INCLUDE VAT

MAGENTA ELECTRONICS LTD.

EE29, 135 HUNTER ST.,
BURTON-ON-TRENT
STAFFS, DE14 2ST.
MAIL ORDER ONLY.
0283 65435, Mon-Fri 9-5.
Access/Barclaycard (Visa) by
phone or post.
24 hr Answerphone for credit card orders.

ADD 60P P&P TO ALL ORDERS.
PRICES INCLUDE VAT.
SAE ALL ENQUIRIES.
OFFICIAL ORDERS WELCOME.
OVERSEAS: Payment must be sterling.
IRISH REPUBLIC and BFPO: UK PRICES.
EUROPE: UK PRICES plus 10%.
ELSEWHERE: write for quote.



FUN WITH ELECTRONICS

Enjoyable introduction to electronics. Full of very clear full colour pictures and easy to follow text. Ideal for all beginners - children and adults. Only basic tools needed. 64 full colour pages cover all aspects - soldering - fault finding - components (identification and how they work). Also full details of how to build 6 projects - burglar alarm, radio, games, etc. Requires soldering - 4 pages clearly show you how.

COMPONENTS SUPPLIED ALLOW ALL PROJECTS TO BE BUILT AND KEPT. Supplied less batteries & cases. FUN WITH ELECTRONICS, COMPONENT PACK £16.98 BOOK EXTRA £1.75. Book available separately.

TEACH IN 84

Full kit including 2 EBBO breadboards & a FREE copy of our catalogue. TEACH IN 84 KIT £22.98 inc VAT. Reprints 70p each (12 part series).

ROBOTS and MOTORS

DIY Robotics & Sensors Books - with the BBC £7.95; for the Commodore 64 £7.99. Components used in these books are in our catalogue/price list. Catalogue £1. Price list only sale. SAA1027 driver £5.99; 8 way darlington driver (ULN2803) £2.38; TL081 49p

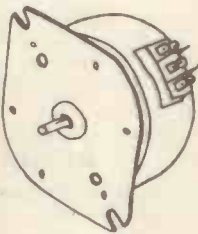
HOW TO MAKE COMPUTER CONTROLLED ROBOTS by Potter/Oxlade. BOOK £3.20. For BBC, Spectrum, C64 & VIC20.

Also similar to above HOW TO MAKE COMPUTER MODEL CONTROLLERS book £3.19.

PRACTICAL THINGS TO DO WITH A MICROCOMPUTER £2.19. Programs, information & electronic circuits.

ID35 Stepper Motor, 48 Steps, 12V. £14.50

BBC to ID35 Stepper Motor Interface Kit £13.99 Ref. EE.
PCB, driver IC, components, connectors & leads included. Demonstration software listings, circuit diagram, pcb layout & construction details given. Requires unregulated 12Vdc power supply. Interface Kit £13.99; Optional Power Supply Parts £4.67



BBC-DC MOTOR CONTROLLER

MOTOR CONTROL SYSTEM FOR THE BBC COMPUTER (BUILT) (EE) £46.55

A high precision DC motor driver and BBC B computer interface system. Supplied complete with applications software cassette. Ready to run control system supplied complete with mains lead, ribbon cable and user port connector, and terminal posts and plugs for the motor connector, and terminal posts and plugs for the motor connection. Also included are the software cassette of 3 programs and instructions. The software is easily transferable to disk. Recommended motor is the Fischertechnik type 185 as used in the u-12 motor and gears set.

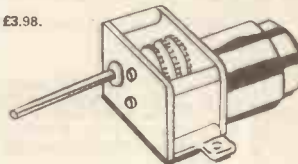
Motor (185) available separately £9.90

MOTOR - GEARBOX ASSEMBLIES

Miniature precision made. Complete with quality electric motor. Variable reduction ratios achieved by fitting from 1-6 gearwheels (supplied) as required. Operates from 1.5V to 4.5V. Small unit type MGS speed range 3rpm-2200rpm depending on voltage & gear ratio. Large unit type MGL (higher torque motor) 2rpm-1150rpm. Long 3mm dia output shafts. Ideal for robots and buggies.

Small Unit (MGS) £3.49. Large Unit (MGL) £3.98.

Pulley wheels 3mm bore. Metal flange with brass hub. 10mm dia 85p. 20mm dia 98p. 30mm dia £1.21. Metal collar with fixing screw, 3mm bore 24p. Flexible spring coupling 5mm. Length 31mm 68p. Flexible metal coupling (universal) 3mm £2.98



CATALOGUE

FULLY REVISED 1985 CATALOGUE. Brief details of each kit, our books, & illustrations of our range of tools & components. Also stepper motor, interface kit & simple robotics. Plus circuit ideas for you to build. If you read Everyday Electronics then you need a copy of the MAGENTA catalogue.

CATALOGUE & PRICE LIST - Send £1 in stamps etc. or add £1 to your order. Price list - 9x4 size. Catalogue FREE TO SCHOOLS/COLLEGES REQUESTED ON OFFICIAL LETTERHEAD.

ADVENTURES WITH ELECTRONICS

An easy to follow book suitable for all ages. Ideal for beginners. No soldering, uses an S-Dec Breadboard. Gives clear instructions with lots of pictures. 16 projects - including three radios, siren, metronome, organ, intercom, timer, etc. Helps you learn about electronic components and how circuits work. Component pack includes an S-Dec breadboard and all the components for the projects. Adventures with Electronics £3.58. Component pack £20.98 less battery.

EVERYDAY ELECTRONICS and computer PROJECTS

VOL 14 N°6

JUNE '85

READERS' ENQUIRIES

We are unable to offer any advice on the use, purchase, repair or modification of commercial equipment or the incorporation or modification of designs published in the magazine. We regret that we cannot provide data or answer queries on articles or projects that are more than five years old. Letters requiring a personal reply must be accompanied by a stamped self-addressed envelope or a self-addressed envelope and international reply coupons.

COMPONENT SUPPLIES

Readers should note that we do not supply electronic components for building the projects featured in EVERYDAY ELECTRONICS, but these requirements can be met by our advertisers.

All reasonable precautions are taken to ensure that the advice and data given to readers are reliable. We cannot, however, guarantee it and we cannot accept legal responsibility for it. Prices quoted are those current as we go to press.

OLD PROJECTS

We advise readers to check that all parts are still available before commencing any project in a back-dated issue, as we cannot guarantee the indefinite availability of components used.

We regret that we cannot provide data or answer queries on projects that are more than five years old.

SUBSCRIPTIONS

Annual subscription for delivery direct to any address in the UK: £12.00. Overseas: £15.00. Cheques should be made payable to IPC Magazines Ltd., and sent to Room 2613, King's Reach Tower, Stamford Street, London SE1 9LS.

BACK ISSUES & BINDERS

Certain back issues of EVERYDAY ELECTRONICS are available world-wide price £1.00 inclusive of postage and packing per copy. Enquiries with remittance should be sent to Post Sales Department, IPC Magazines Ltd., Lavington House, 25 Lavington Street, London SE1 0PF. In the event of non-availability remittances will be returned.

Binders to hold one volume (12 issues) are available from the above address for £5.50 inclusive of postage and packing worldwide.

EVERYDAY
ELECTRONICS
and computer PROJECTS

MULTIMETERS
buyers guide
MULTIMETERS



AUTO PHASE * VOLTAGE PROBE

IDEAS

As I have said before, this is your magazine and your ideas and comments are always valued. We often get interesting views on our contents, from committed hobbyists, from advertisers and teachers and together they help to shape the future developments of the magazine.

One area where you can contribute directly to the contents is *Circuit Exchange*, this feature is for your circuit ideas. I should point out that we are looking for new ideas, not just a copy of someone else's circuit. At present we pay £40 per magazine page for any ideas published, so good ones could pay for a couple of projects. Keep them coming in—there are a few in this issue to give you the idea of just what we are after.

TEACH IN

We are continually being asked for back numbers on the last Teach-In series and unfortunately we are no longer able to supply them all. We would however like to point out that it is now only four months before the start of *Teach-In '86* which will continue the tradition of top quality beginners series established by EE over the last fourteen years. The series will be linked to a number of projects and will be backed by software for the BBC and Spectrum—although it will not be essential to use this.

ACTUALLY DOING IT

In addition to *Teach-In '86* we are about to introduce a new page giving the low-down on actually building projects for all those who are still a little hesitant to take up the soldering iron. These two items will be augmented by a building blocks series which will follow a simple systems approach to building projects of your own design around various circuit blocks. Each circuit block will be fully described and we will provide all the necessary constructional details. The series will also be helpful to AEB 'O' level students.

Whatever your level of knowledge and sophistication in electronics, EE will have something of interest.

Editorial Offices

EVERYDAY ELECTRONICS EDITORIAL, WESTOVER HOUSE,
WEST QUAY ROAD, POOLE, DORSET BH 15 1JG

Phone: Poole (0202) 671191

We regret that lengthy technical enquiries cannot be answered over the telephone

Editor
MIKE KENWARD

Secretary
PAULINE MITCHELL
0202 671191 Ext 259

Advertisement Manager
NIGEL BELLWOOD 01-261 6882

Advertisement Sales Executive
RICHARD WILLETT 01-261 6745

Classified Supervisor
BARBARA BLAKE 01-261 5897

Advert Make-Up and Copy Department
JULIE FISH 01-261 6615

Advertisement Offices
EVERYDAY ELECTRONICS
ADVERTISEMENTS
KING'S REACH TOWER
STAMFORD STREET,
LONDON SE1 9LS
Telex 915748 MAGDIV-G

GRAPHIC EQUALISER

R.A. PENFOLD

PROBABLY most readers are familiar with graphic equalisers, as they are now relatively commonplace, and are sometimes incorporated in pieces of equipment such as stereo cassette radios and rack audio systems. The original purpose of a graphic equaliser was to enable any peaks or troughs in the frequency response of the overall system to be ironed out. In particular, compensation could be made to counteract any variations in the frequency response caused by the characteristics of the listening room itself. In order to do this effectively a complex circuit having a dozen or more bands is necessary, and ideally some quite sophisticated test equipment would also be used.

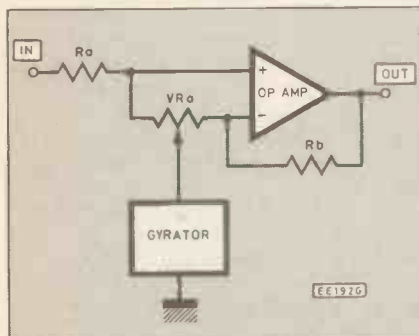


Fig. 1. The basic arrangement of frequency control.

A more recent application for a graphic equaliser is as a sort of musical effects unit. Here the idea is to adjust the controls to modify the sound of an instrument (usually an electric guitar) and give the required sound, rather than to compensate for room acoustics or other frequency response problems. For example, a graphic equaliser can easily act as a bass or treble booster, and gives excellent control over the effect produced. Better in fact, than most bass and treble booster units. Even a fairly simple graphic equaliser enables a wide range of effects to be obtained.

SPECIFICATION

This design has six equaliser controls with centre frequencies at approximately 50Hz, 150Hz, 500Hz, 1.5kHz, 5kHz, and 15kHz. With controls at the extremes of the audio spectrum and four at intermediate frequencies this gives good results with an electric guitar or other electronic instruments. With just six

bands it is less than ideal for use with an audio system, but could be used as a sort of super tone control if desired, but two units would be needed for stereo operation, one to process each channel.

CIRCUIT OPERATION

The unit has been kept as simple as possible, and is based on a totally conventional gyrator design. The basic idea is to use gyrators to simulate ordinary L-C tuned circuits, thus avoiding the need for the very large inductors that would otherwise be needed to produce bandpass filters having suitably low resonant frequencies. This gives a substantial saving in cost, as well as enabling easy to obtain components to be used throughout the design. Fig. 1 shows the basic arrangements used in the unit.

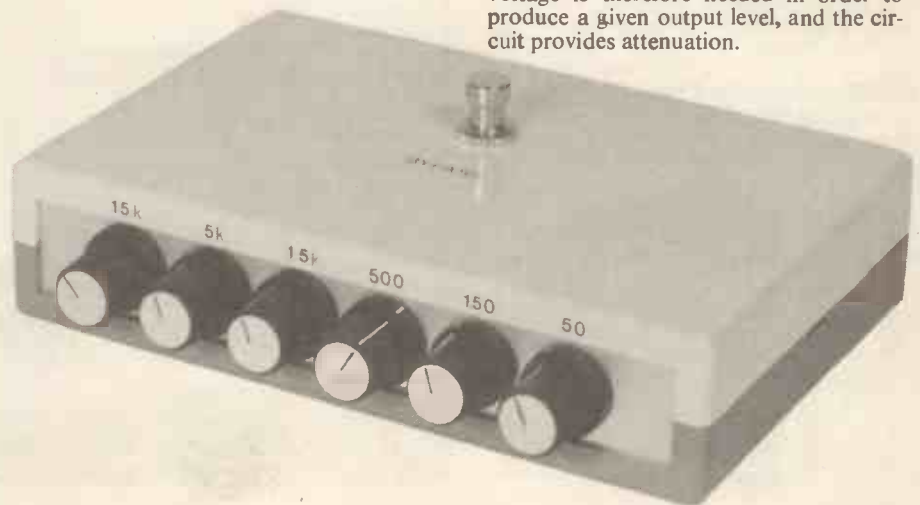
Although the operational amplifier has a rather unusual feedback arrangement, it is not very complex in operation. R_a and R_b are of equal value in a practical design, and at resonance the gyrator has a low impedance. If we consider the circuit with the slider of VR_a at the centre of its track, a positive voltage applied to the input will take the non-inverting (+) input positive of the inverting (-) input. Feedback via R_b will try to counteract this in normal operational amplifier fashion, so as to maintain the two inputs at precisely the same voltage. Due to the symmetry of the circuit the output of the amplifier must go to the same potential as the input in order to maintain this balance. This is true regardless of the impedance provided by the gyrator, and it is essential to the

correct operation of the circuit that there is always unity gain with the slider at the centre of its track.

With the slider moved towards the inverting input of the operational amplifier the symmetry of the circuit is upset. If we assume that the gyrator is at resonance and has a low impedance, the potential divider action across R_b and the gyrator results in only a small fraction of the output voltage reaching the inverting input. On the other hand, the coupling from the input to the non-inverting input is no worse than before, and is actually somewhat better due to the increased resistance to earth through the large portion of VR_a 's track and the gyrator. Accordingly, the output has to swing to a much greater potential in order to maintain the input voltage balance, and the input signal is boosted.

Of course, at frequencies where the gyrator is not at resonance and its impedance is very high it is effectively not in circuit. As VR_a has a value which is low in comparison to that of R_a and R_b the symmetry of the circuit is only marginally affected, as is its voltage gain.

Moving the wiper of VR_a to the other end of the track has the opposite effect. The potential divider action across R_a and the (resonant) gyrator gives a relatively poor coupling from the input to the non-inverting input of the operational amplifier. However, there is slightly reduced voltage drop from the output to the inverting input since the full track resistance of VR_a is in series with the gyrator as far as this signal path is concerned. A relatively large input signal voltage is therefore needed in order to produce a given output level, and the circuit provides attenuation.



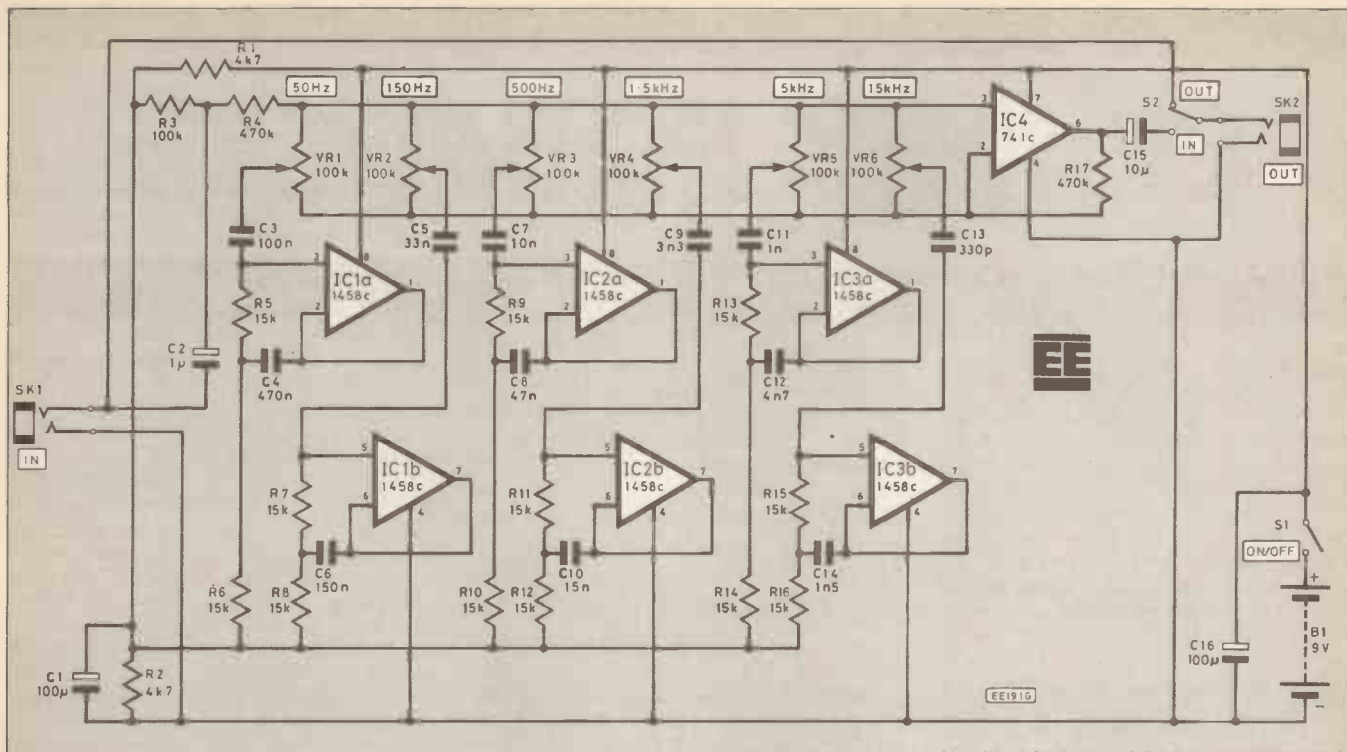


Fig. 2. The complete IC circuit diagram of the Graphic Equaliser.

Again, if the gyrator is off-resonance and has a high impedance it does not have any significant affect on the circuit, which consequently still has approximately unity voltage gain.

PRACTICAL CIRCUIT

The full circuit diagram of the unit appears in Fig 2, and IC4 is the operational amplifier at the heart of the unit. R4 corresponds to Ra of Fig. 1, while R17 is the practical equivalent of Rb. C2 and C15 are d.c. blocking capacitors at the input and output of the unit. R1, R2 and C1 produce a centre tap on the supply so that a single 9 volt battery supply can be used, and the need for two batteries to provide a dual balanced supply is avoided.

In Fig. 1 only a single gyrator and potentiometer are shown, but in practice several potentiometers connected in parallel (VR1 to VR6) are required, with each one having its slider feeding into a separate gyrator circuit. This produces little interaction between the various gyrator/potentiometer stages since each gyrator only has a low impedance over its own frequency band, and has a very high impedance at the centre of any other bands. Interaction is not totally absent, but out of band, each control affects the gain of the unit by a relatively small amount, and in practice this type of circuit gives excellent results.

Although each gyrator is extremely simple, using just a single operational amplifier plus two resistors and two capacitors, this type of circuit is quite complex in the way that it operates.

However, the basic scheme of things is to have the operational amplifier, one capacitor, and the two resistors to simulate an inductor, which is then connected in series with the remaining capacitor. This gives what is effectively a conventional series L-C tuned circuit, which provides the required low impedance at or near resonance and a high impedance at other frequencies.

The maximum degree of boost and cut is about 15dB, and the sample frequency response of Fig. 3 was obtained using full boost at 150Hz, maximum cut at 5kHz, and the other controls set for about unity voltage gain.

S2 can be used to bypass the unit and switch out the filtering when it is not required. In practice this is a heavy duty push button type so that it can be

COMPONENTS

Resistors

R1,R2 4k7 (2 off)
R3 100k
R4,R17 470k (2 off)
R5-R16 15k (12 off)
All resistors ¼W 5% carbon film

Potentiometers

VR1-6 100k lin. carbon (6 off)

Capacitors

C1,C16 100µ 10V radial elect (2 off)
C2 1µ 63V radial elect
C3 100n carbonate
C4 470n carbonate
C5 33n carbonate
C6 150n carbonate
C7 10n carbonate
C8 47n carbonate
C9 3n3 carbonate
C10 15n carbonate
C11 1n carbonate

C12 4n7 carbonate
C13 330p ceramic plate
C14 1n5 carbonate
C15 10µ 25V radial elect

Semiconductors

IC1-3 1458C dual op amps (3 off)
IC4 741C op amp

Miscellaneous

S1 Part of SK1
S2 SPDT heavy duty push button type
SK1 Standard jack with SPST contacts (S1)
SK2 Standard jack
B1 9 volt (PP3 size)
Case, 180 by 120 by 39mm, printed circuit board EE8506-01, battery connector, small control knobs with pointer line (6 off), 8 pin d.i.l. i.c. holders (4 off), wire, solder, etc.

See
**Shop
Talk**
page 312

Approx. cost
Guidance only **£12**

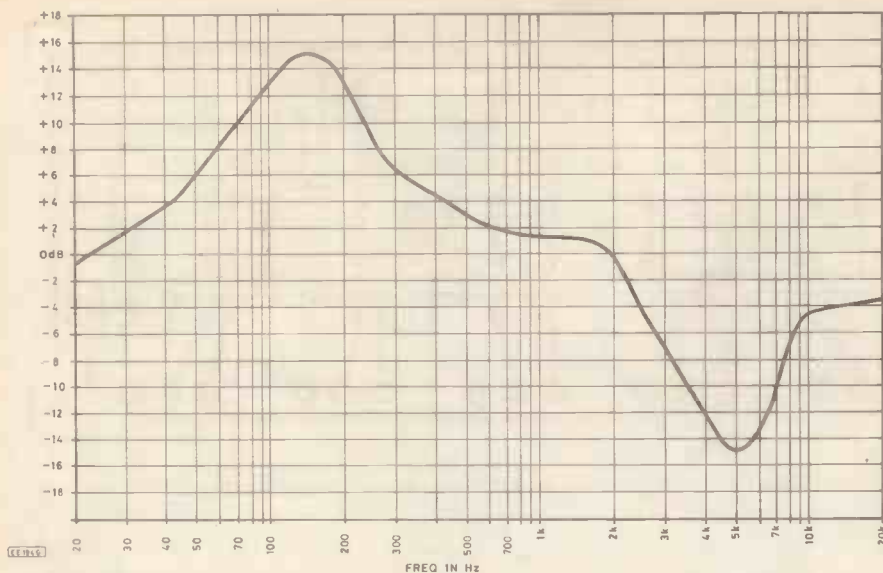


Fig. 3. A sample frequency response obtained from the Graphic Equaliser.

operated by foot. S1 is the on/off switch, and on the prototype this is a set of normally open contacts fitted to the input socket, SK 1.

The unit is therefore automatically switched on when the plug is inserted into SK 1, and switched off again when it is removed. Of course, S1 can be an ordinary switch such as a toggle or push button type if preferred. The current consumption of the circuit is approximately 5.5mA, and a small 9V battery is adequate as the power source.

CONSTRUCTION

The unit is most easily constructed using printed circuit mounting rotary potentiometers as these can be mounted direct onto the printed circuit board. Details of the p.c.b. and component layout are provided in Fig. 4 and Fig. 5. An alternative is to hard wire ordinary (tag connection) rotary or slider type potentiometers to the board. If this method of construction is used it is important to keep the connecting leads reasonably short. It will be assumed here that the unit is built using rotary printed circuit mounting potentiometers, but it is obviously not difficult to modify construction to suit other types if desired.

Construction of the board is very straightforward, but make sure that each potentiometer is pushed right down into position before soldering it in place, using a generous amount of solder. Construction of the board will probably be easiest if the potentiometers are fitted last. It is advisable to use the carbonate capacitors where specified in the components list as these have a suitably close (5%) tolerance for this application, and the lead spacing on the printed circuit has been designed to suit this particular type of capacitor. The use of radial (vertical mounting) electrolytics rather than vertically mounted axial types will give a neater finish, and a

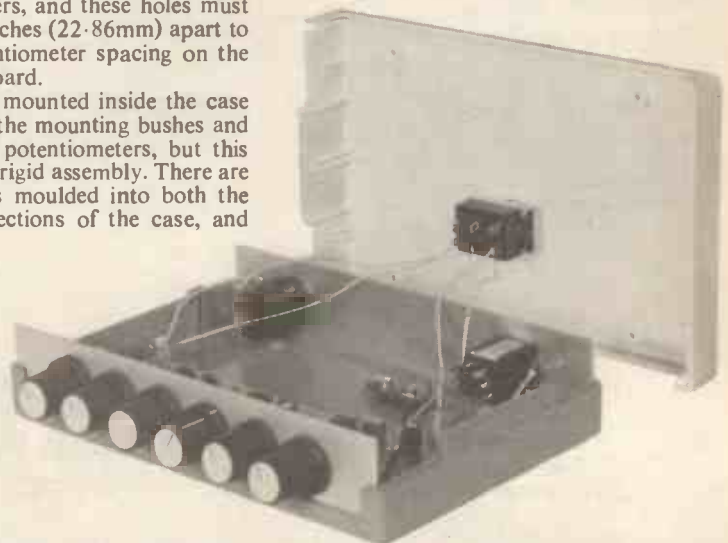
board of greater resilience. Connect single-sided pins to the board at the points where connections to the sockets and switches will be made.

PLASTIC CASE

A 180 by 120 by 39mm plastic Verocase having aluminium front and rear panels makes an attractive and adequately tough housing for this application. The front panel must be drilled with six 10mm diameter mounting holes for the potentiometers, and these holes must be spaced 0.9 inches (22.86mm) apart to match the potentiometer spacing on the printed circuit board.

The board is mounted inside the case only by way of the mounting bushes and nuts of the six potentiometers, but this produces a very rigid assembly. There are mounting pillars moulded into both the top and base sections of the case, and

Internal details of the Graphic Equaliser showing hardware mounting positions.



some of these will almost certainly obstruct the potentiometers and the board. This problem can be overcome by carefully drilling away the offending mounting pillars using a drill of about 9mm in diameter. Due to the restricted height of the case it might also be necessary to trim off the ends of the potentiometer's pins, which with most components protrude well beyond the surface of the board.

SOCKETS

SK 1 and SK 2 are fitted at opposite ends of the rear panel. S2 must obviously be mounted on the top panel of the case so that it can be foot operated. Note that this component must be a heavy duty type as an ordinary push button switch is unlikely to be physically strong enough to withstand repeated operation by foot.

It might be difficult to obtain a single pole changeover heavy duty push button switch, but one pole of a double pole type can be used if a single pole type should prove to be elusive. Be careful to position this switch over a vacant part of the case. Otherwise, due to the very limited height of the case, it will probably prove to be impossible to fit the lid into position. The unit is completed by adding the small amount of hard wiring, as detailed in Fig. 5.

IN USE

In use the unit simply fits between the guitar or whatever other instrument is being used, and the amplifier. Standard jack leads are used to carry the input and output connections. As explained earlier, the unit is automatically switched on when a plug is inserted into SK 1, and switched off again when the plug is removed.

The unit can introduce large irregularities into the frequency response of a system, and experimenting with the controls should soon determine whether or not the circuit is functioning correctly. Provided the instrument producing the input signal generates signals over a

reasonably wide frequency range it will be possible to considerably alter its sound. However, bear in mind that controls which operate below the fundamental frequency of the input signal can not have any significant effect on the output signal. For instance, if the instrument is generating a note at 300Hz plus harmonics throughout the part of the audio range above this frequency, the 500Hz, 1.5kHz, 5kHz and 15kHz controls will

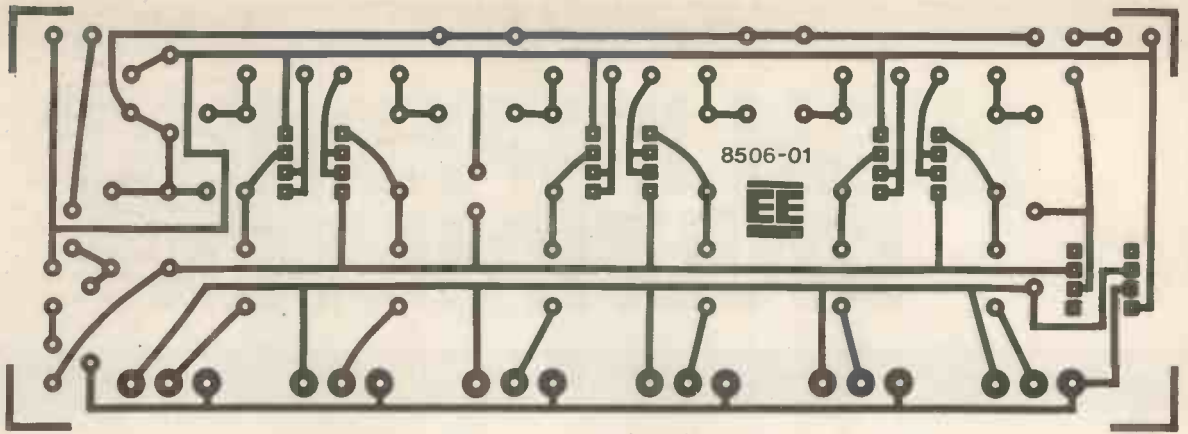


Fig. 4. The p.c.b. design of the Graphic Equaliser. This board is available from the *EE PCB Service*, code 8506-01.

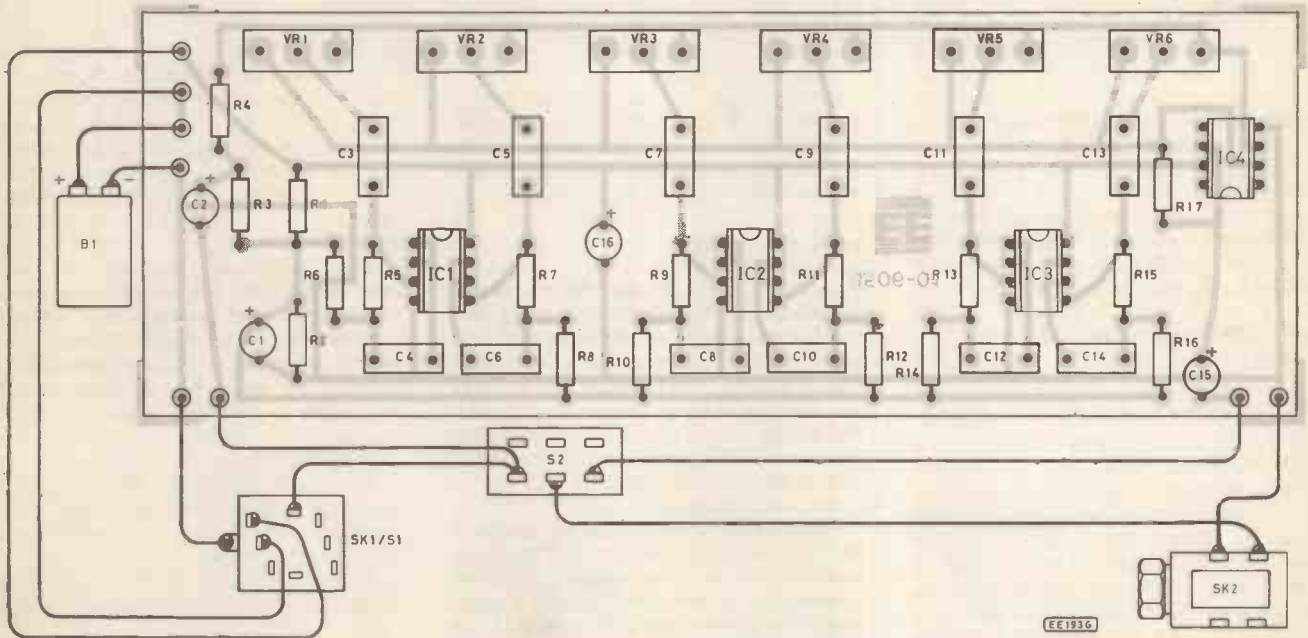
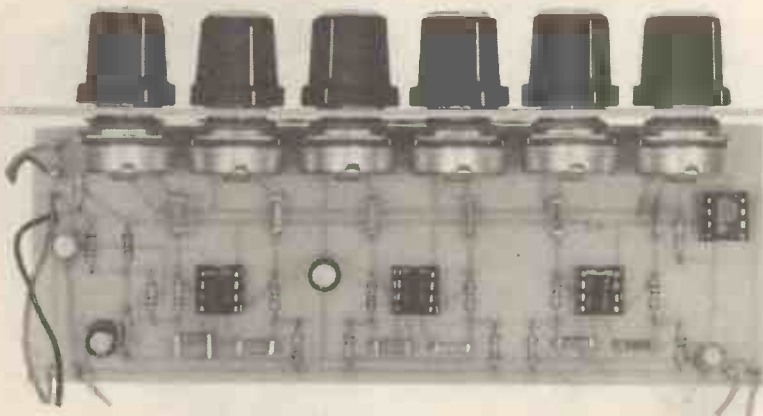


Fig. 5. Component layout and wiring diagram of the Graphic Equaliser.



Component and potentiometer mounting details.

be effective. There will be no output at frequencies below the 300Hz fundamental, rendering the 50Hz and 150Hz controls ineffective.

When using any form of high frequency tone control it is necessary to bear in mind that a large amount of boost can produce excessive powers for the tweeters in some loudspeakers. This is more likely to be a problem with hi-fi loudspeakers than with types intended for the reproduction of electronic music.

The circuit does not have a very high noise level, and an excellent signal to noise ratio will be obtained using an input level of about 200mV peak to peak or more. The maximum amplitude that can be handled without clipping occurring is about 4V peak to peak. □

HIGH IMPEDANCE MULTIMETER

L.S. COOK

WHEN measuring voltages using a conventional multimeter, the meter itself requires some current for its operation. If this is substantially greater than the current flowing in the circuit under test, the voltage levels are significantly altered when the meter is connected and a misleading reading is obtained. Even the once-popular 20kΩ/V meter requires too much current for a circuit involving just a few microamperes.

The meter featured here has an input impedance to suit almost all applications where low-level d.c. voltages and currents are to be measured. It is designed mainly for experimental work, such as investigating the characteristics of devices.

CIRCUIT DESCRIPTION

The circuit diagram is shown in Fig. 1. Apart from the two highest ranges, the high impedance for voltage measurement is provided by the LF441 op-amp (IC1). This is similar to the popular 741, but has an input impedance of 1TΩ (1 Teraohm = 10¹² ohms), and draws a much lower current, a point strongly in its favour if small batteries are used. This i.c. has JFET inputs and needs no special handling precautions unlike many MOS devices.

The meter winding, together with R26 and R27, provides a total resistance of 50kΩ so a potential of 2.5V across these produces a current of 50μA through the meter. The meter specified is a 50μA full-scale deflection type with an internal resistance of 1.4kΩ. A different type can be employed with the value of R26 and R27 modified to obtain full-scale deflection at 2.5V.

The different voltage ranges are obtained by varying the gain of IC1, which is used in the non-inverting mode; the basic arrangement for this is shown in Fig. 2. R18 to R25 (Fig. 1) constitute RA and RB (Fig. 2) and switch S1c taps this resistance chain at selected points to vary the gain. For example, with S1c in the position indicated, RB = 250Ω, RA + RB = 25kΩ, so gain =

$$\frac{25000}{250} = 100$$

Therefore for an output of 2.5V the input must be 25mV, since input voltage × gain = output voltage.

Diode D1 prevents the meter attempting to swing negative which would occur if the input were incorrectly polarised or left floating. With the output taken from the cathode of D1, the calculation of gain is unaffected by the inclusion of this diode. C1 improves the stability of the circuit.

Table 1 shows the voltage ranges available, and the corresponding gains of IC1. For the 10V and 25V ranges, the input is taken to a chain of resistors totalling 100mΩ with a tap at 10mΩ providing up to 1V or 2.5V respectively at this point. The voltage is then applied to the main circuit on the 1V or 2.5V range with S1a carrying out the necessary switching. R11 prevents high currents flowing through IC1 in the event of an excessive voltage being applied at the input; this could be destructive if the polarity was reversed. Compared with the high impedance of IC1, the drop across R11 is negligible. VR1 provides a means for zero-setting as explained later.

Current measurements are made by placing shunts across the input, comprising R12 to R17. In order to keep the voltage drop to a minimum the highest gain setting is used for IC1 where practicable, this being selected by switch S1d which is brought into play by S2b. The values of R12 to R17 are chosen to provide the ranges shown in Table 2. For example, with S1b and S1d set as shown, gain =

$$\frac{25000}{25} = 1000$$

so the voltage across the input for full-scale deflection is

$$\frac{2.5}{1000} = 2.5\text{mV}$$

The resistance across the input is 25Ω, hence the current required for full-scale deflection is

$$\frac{2.5}{25} \times 10^{-3} = 100\mu\text{A}$$

The multimeter has a JFET input to provide the very high impedance.

Table 1: Voltage ranges and op-amp gain

Range	Gain
2.5mV	1000
10mV	250
25mV	100
100mV	25
250mV	10
1V	2.5
2.5V	1
10V	2.5
25V	1

Table 2: Current measurement and voltage drop

Range	Voltage drop
10μA	2.5mV
25μA	2.5mV
100μA	2.5mV
250μA	2.5mV
1mA	2.5mV
2.5mA	2.5mV
10mA	10mV
25mA	25mV
100mA	100mV

CONSTRUCTION

Many of the resistors are mounted directly on S1, a 4-pole 9-way rotary switch. The connections to this switch are indicated in Fig. 4 with each section (pole) shown separately for clarity: the actual "Makaswitch" has two wafers each containing two poles, one each side of each wafer. It requires close scrutiny to obtain a thorough understanding of its operation, and this is essential before attempting the wiring.

Two small pieces of 0.1 inch matrix stripboard are required for the remaining



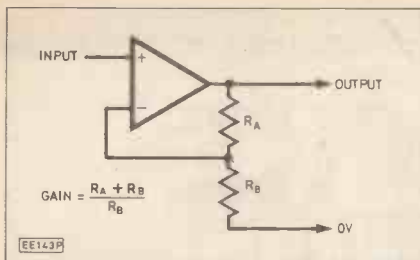


Fig. 2. Basic op-amp circuit.

small components, one of them holding the 10MΩ resistors. These are shown in Fig. 3. Attach a plug to one end of each test lead and an alligator clip to the other.

CASE

A plastic console-style case with appropriate dimensions is suitable; alternatively, a case can be made from 3mm plywood and covered with plastic fabric. The prototype, shown in the photograph, has a plywood case. Small wooden blocks glued inside the vertical corners enable a base panel to be screwed on. The circuit boards can be fixed in position using small screws and insulated spacers if necessary.

METER SCALE

The meter is likely to have a scale reading up to 50μA. This can be replaced

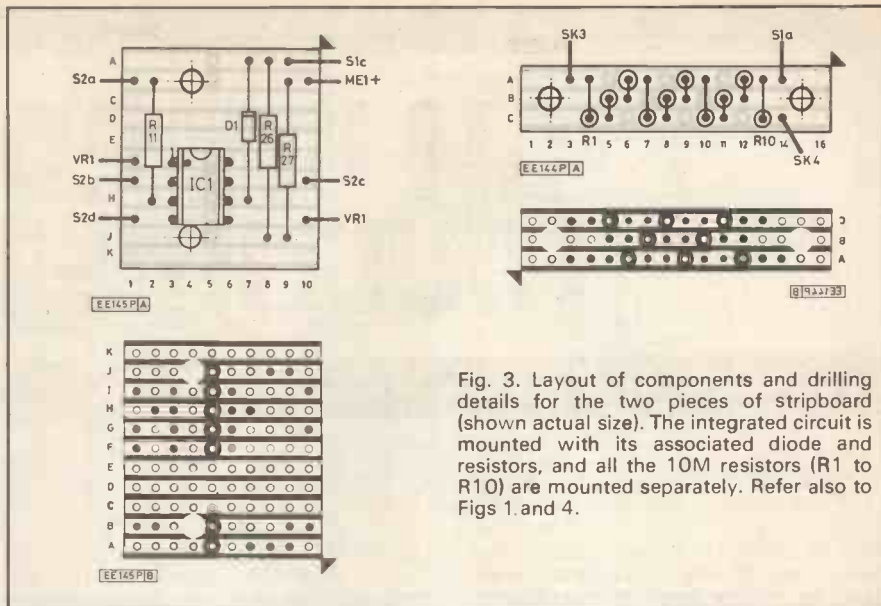


Fig. 3. Layout of components and drilling details for the two pieces of stripboard (shown actual size). The integrated circuit is mounted with its associated diode and resistors, and all the 10M resistors (R1 to R10) are mounted separately. Refer also to Figs 1 and 4.

by a scale showing markings up to 10 and 25.

Carefully remove the transparent cover and stick a piece of white card or plastic adhesive film over the scale, having first cut out an area corresponding to the position of the graduations on the original scale. Add the numbers using dry transfers.

POWER SUPPLY

A dual power supply is required: the i.c. will operate from ±3V to ±18V, but obviously the higher the supply voltage, the higher will be the meter current in the event of overload. Two PP3 batteries are ideal and can be held in place by stiff wire fastened by the meter fixing screws.

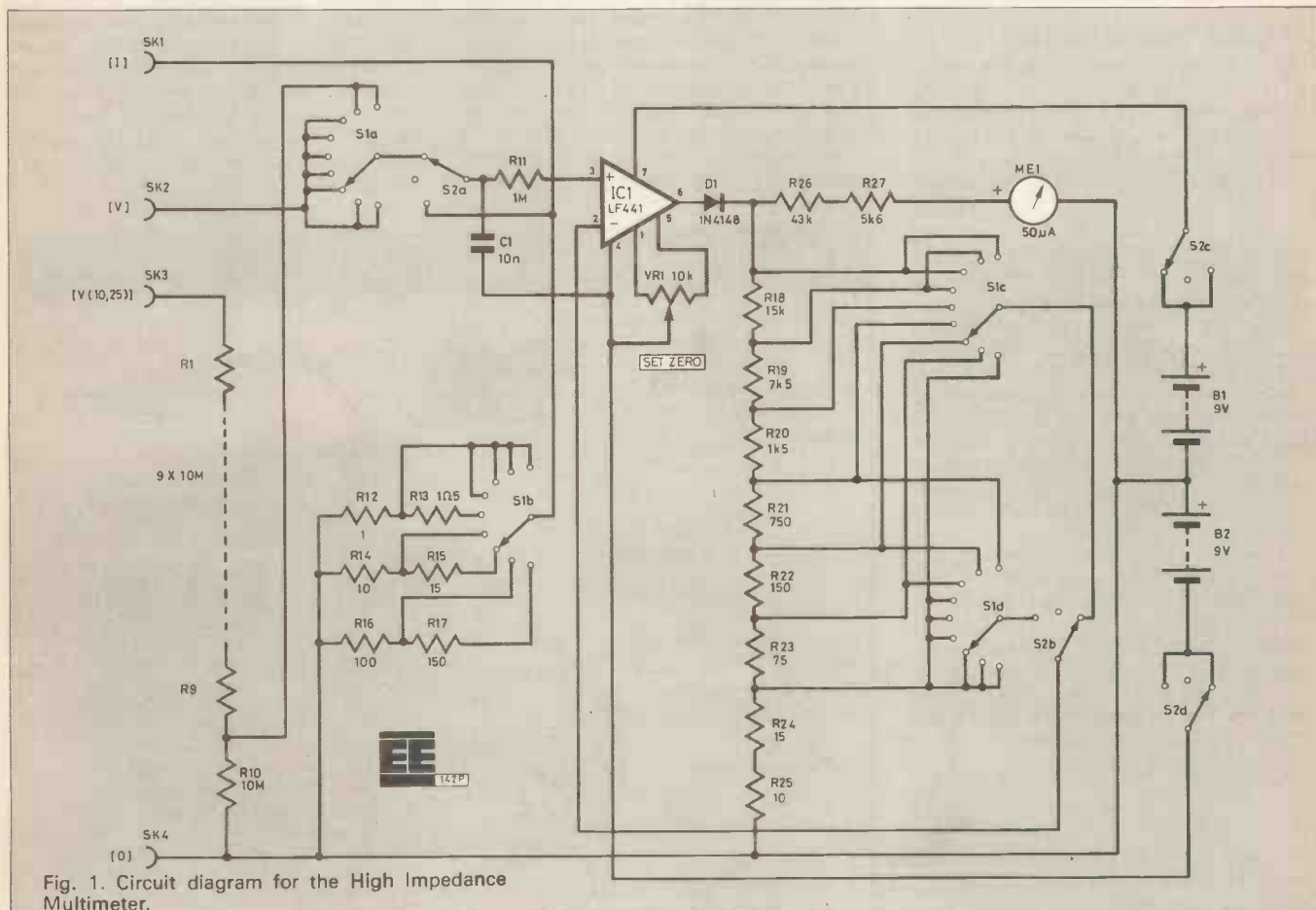
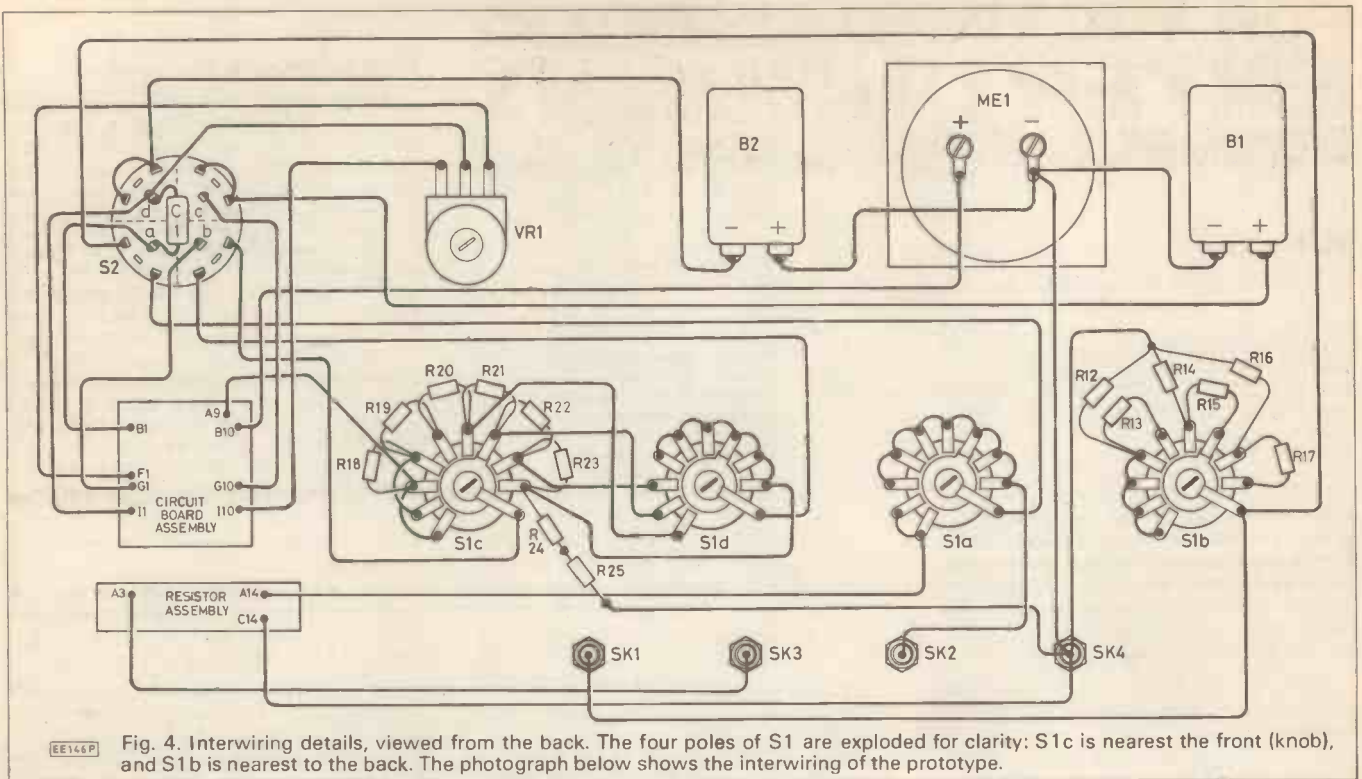


Fig. 1. Circuit diagram for the High Impedance Multimeter.



EE146P Fig. 4. Interwiring details, viewed from the back. The four poles of S1 are exploded for clarity: S1c is nearest the front (knob), and S1b is nearest to the back. The photograph below shows the interwiring of the prototype.

TESTING AND USING

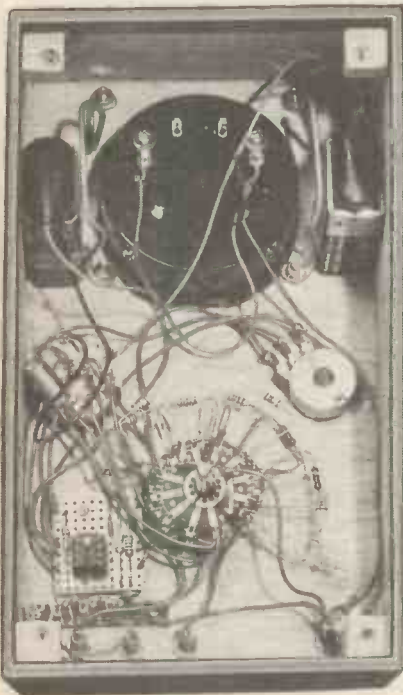
Although calibration should not be necessary it is wise to check performance against an existing meter if possible. Voltage and current readings for all ranges should be checked, with the meters connected in parallel for voltage readings and in series for current. The impedance

of the existing meter is of no great importance.

When using the meter try to avoid touching the positive connection as this can cause the output of the op-amp to swing to maximum. It may be advisable to switch on only when the connections have been made.

To set zero correctly, select the lowest voltage range and with the test leads

plugged into the 'V' and 'O' sockets, connect both clips together. With VR1 towards the clockwise limit a reading will be shown on the meter. Turn VR1 back to the point at which a zero reading is just obtained and no further. Note that a negative reading cannot be indicated owing to the presence of D1. Accurate setting of this control is important, particularly for the lower ranges. □



COMPONENTS

See
**Shop
Talk**
page 312

Resistors

R1 to R10	10M (10 off)
R11	1M
R12	1
R13	15Ω
R14, R25	10 (2 off)
R15, R24	15 (2 off)
R16	100
R17, R22	150 (2 off)
R18	15k
R19	7k5
R20	1k5
R21	750
R23	75
R26	43k
R27	5k6
All ± 1% 0.4W metal film	

Potentiometer

VR1	10k linear carbon rotary
-----	--------------------------

Capacitor

C1	10n polystyrene
----	-----------------

Semiconductors

D1	1N4148 silicon diode
IC1	LF441 JFET op-amp

Miscellaneous

S1	4-pole 9-way rotary
S2	4-pole 3-way rotary
ME1	50μA f.s.d. 1k4 meter
SK1 to SK3	2mm socket, red (3 off)
SK4	2mm socket, black
PL1	2mm plug, red
PL2	2mm plug, black
B1, B2	PP3 9V battery (2 off)
0.1 inch matrix stripboard, 11 strips x 10 holes and 3 strips x 16 holes; 8-pin d.i.l. holder; PP3 battery connectors (2 off); alligator clips, red and black.	
Case—minimum 186mm x 110mm x 92mm high (back), 41mm (front); pointer knobs: 27mm diameter (2 off), 33mm diameter; red and black flexible leads; connecting wire; fixing screws.	

COMPONENTS
approximate
cost £20

FOR YOUR ENTERTAINMENT

BY BARRY FOX

Hi Fi Video

Everyone is talking about hi fi video. You can buy hi fi machines in both the Beta and VHS formats.

On a conventional machine the sound is recorded on a linear track along the edge of the tape. Quality is limited by low tape speed (under one inch a second) and the narrow track width, especially in stereo.

For hi fi video the audio is converted to f.m. and fed to extra heads mounted on the rotating video drum. These lay down f.m. signal tracks across the tape which are almost immediately over-written with video signals from the conventional video heads. Because the video signals are at higher frequency and lower drive current than the audio f.m. only the top layer of audio recording is erased and replaced with video.

The result is a two layer sandwich, with video on top and audio below. Hence the term depth multiplex recording. The audio and video heads are set at different angles or "azimuth", so that on playback the audio heads read only audio and the video heads read only video.

Both the Beta and VHS hi fi systems work in the same way in Europe, although the Beta hi fi system works rather differently in America. Over there the audio and video signals are mixed and fed to the same heads.

The hardware firms are busily advertising hi fi video and promising more and more pre-recorded cassettes in the new format. These will of course also have a conventional soundtrack for owners of conventional machines.

All the major duplicators have installed hi fi machines—except one. CBS-Fox is holding back. This is particularly surprising because in America CBS-Fox led the hi fi scramble. I asked David Harris, head of duplication at the CBS-Fox plant in Greenford, Middlesex, why he wasn't joining in.

"Hi fi has come too early," he told me. "It's a major benefit for the hardware industry which can sell at higher prices. But it's no benefit yet for software companies like us.

"Pre-recorded tapes won't sell better because they are in hi fi. We've sold 30,000 copies of *The Empire Strikes Back*. If we'd sold ten more because of hi fi we'd have been lucky."

"I don't believe hi fi quality can be achieved for the same price," he went on, "you need different mastering, different quality control standards, different technology. You can't do that for nothing. So who will pay? We've been asking that question for 18 months.

"The hardware firms should have knocked a million or so off their multi-million advertising budget for video hi fi machines, and helped pay for the duplication equipment. Sony has been markedly more helpful over providing video hi fi equipment at reasonable price than the VHS manufacturers.

"The CBS-Fox plant in America needed new equipment," Harris explained, "so it made sense to choose hi fi and launch with

plenty of razzmatazz. At Greenford we've got around 800 or 900 machines, we never say exactly how many, and they don't need replacing yet.

"Hi fi machines cost more and I can't justify that extra expense. We've got some machines on test and are learning about the problems. But we are doing it without upsetting our customers. Other firms are learning publicly."

—Cable Vision

Although there is much talk about cabling Britain in the future, around six per cent of the country is already hooked up to cable. A total of 1.2 million homes get their TV programmes down wires from local "headends" or distribution points. That's in addition to people who live in blocks of flats and get their TV signals from a communal master aerial.

Ten years ago 2.5 million British homes were on cable. The number then stood still and has been falling since 1980. Cable began in Britain back in 1925, when some homes did not have mains power and could not receive radio. Enterprising companies piped in radio signals at high enough voltage to run a loudspeaker without an amplifier.

In 1950 the Home Office licensed three companies, EMI, Rediffusion and British Relay to distribute 405-line TV along cable radio lines. The systems were then upgraded to take colour TV. Around 70 per cent of these 1.2 million homes in Britain now receiving TV by cable, rely on relatively primitive twisted wire pairs of the type originally designed for radio signals.

The radio signals were distributed over long distances at 500V and reduced to 55V for home use. The TV signals run into the home at 30V on an 8.9MHz carrier. Trunk cables are coaxial and then split for home service into twisted wire pairs, with one channel per pair.

In theory it is possible to stack or multiplex (this happens in Jersey) but in practice, the losses are too serious. The higher the frequency carried, the quicker the signal is lost on a twisted wire pair. At the moment repeaters are needed every 1500 metres.

All the fuss about cabling Britain centres on the Government's enthusiasm for making the UK a wired society with high technology, two-way interactive cable links. That way homes of the future will be able to bank, shop and browse through mail order and estate agents' catalogues by cable link.

The snag is that interactive systems need cables wired in switched star configuration, not conventional tree and branch layout. Although the Government wants a wired

Right Approach

"What the industry needs," Harris goes on, "is a standard approach to hi fi mastering. Some duplicating houses are set up to issue hi fi tapes with the sound sourced from a digital recording sync-locked to a master video machine, but others are equipped only to source the sound from ordinary video machines with linear soundtracks.

"In America they use DBX noise reduction on the master machine, but not over here. So what happens if a film company wants to shift work from one duplicator to another with different equipment? The industry isn't even talking about a standard yet. Hi fi video in Britain won't really happen for another eighteen months."

society, it won't subsidize switched star installation.

The cable companies know there is a limited market for interactive systems. British Telecom's Prestel viewdata service still has only 50,000 subscribers, many of them business users. Only a few are domestic subscribers who use Prestel to shop and shuffle money by viewdata. So the cable companies certainly don't want to spend extra on laying a high technology system simply to offer interactivity. They would rather try to make money out of simple one-way entertainment services.

As far as I can see, no-one has yet thought seriously about a possible compromise between these two extremes; high technology switched star interaction on one hand and one way, low technology tree and branch on the other. The answer, surely, is to link cable with a telephone.

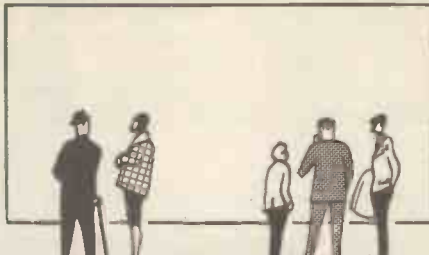
Already Oracle the commercial TV teletext service is experimenting with personalized teletext transmission. Pages of data are given address codes which means they can only be received by a set which incorporates a decoder with matching access codes.

Oracle will use this system to transmit semi-confidential information nationwide, for instance a running update on pricing for department store chains and a list of stolen credit card numbers for shops and restaurants to keep checking. Extra memory in the receiver will give rapid access to long lists of data.

If a cable system, even of the old twisted pair types, were to use addressed teletext messages, then the subscriber's conventional telephone could provide the other half of the interactive link. A simple modem would let the subscriber key instructions down the line direct into the cable teletext computer.

The use of a home computer would make the system even more flexible. This would make it possible to upgrade existing cable systems, without ripping out old wires from under the ground. But no-one seems to be seriously investigating the possibility. Could it be that no-one has thought of it?

SHOP TALK



BY MIKE ABBOTT

CATALOGUES RECEIVED

Not so much a catalogue as a bulletin received from **Midwich** concerning the company's special offering of a number of items, including IDC strip headers, low power Schottky TTL (LS series) i.c.s, low profile d.i.l. sockets and wire-wrap sockets with turned pins. Prices are too numerous to quote, but further information may be obtained from **Midwich Computer Co., Ltd., Gilray Rd., Diss, Norfolk IP22 3EU. ☎ 0379 4131.**

If you have a connector problem, STC's Five Star Connector service might be your escape route. The 1985 catalogue (Issue No. 1) is out now, and you can order using your credit card, or c.w.o. There's no minimum order charge, and if you are not an account holder with STC your first order will automatically open one. Five Star carries over 4000 lines, and the catalogue includes illustrations to assist selection: **Five Star Connectors (STC), Edinburgh Way, Harlow, Essex CM20 2DF. ☎ 0279 442851.**

Another catalogue received is that of **Rose**, whose enclosures are available in many shapes, sizes and materials, including aluminium, polyester, polycarbonate and ABS. This 52 page catalogue is rich in dimensional information, and available from **Radiatron Ltd., 76 Crown Rd., Twickenham, Middlesex TW1 3ET. ☎ 01-891 0156.**

Magic Washers

A revolutionary thermal jointing compound which changes state from solid to liquid when the equipment is switched on is available from **Charcroft Electronics Ltd.** Called **Crayotherm**, the compound automatically "wets" the contact area to a high level of thermal conductivity, and never hardens, no matter how many thermal cycles it undergoes—a feature contributing improved reliability.

The "no-mess" compound is available in the form of ready-coated insulating film rolls, and in sheet form, making it an ideal replacement material for power transistor mica

washers. **Crayotherm** is in fact available ready-stamped into washers to suit TO-3, TO-36, TO-66, TO-220 and DO-4 devices.

If you would like free samples of the material please write to **Charcroft Electronics Ltd., Charcroft House, Sturmer, Haverhill, Suffolk CB9 7XR. ☎ 0440 705700.**

Passcards

Shown below is an example of the 'Key Facts' Passcard 'modular' revision system for students following the AEB 'O' Level Electronics course. The card pack serves as a very quick reference for the student during revision, and for the beginner. The cards measure 75 x 125mm and fit inside a plastic wallet. Further details from: **Charles Letts & Co Ltd., Dairy House, Borough Rd., London SE1 1DW.**

Succession of pulses (pulse train) is used as the carrier wave. Of the latter type there are four main forms (Fig. 45):

- Pulse amplitude modulation (PAM): the amplitude of the pulses is modulated by samples of the modulating signal.
- Pulse duration modulation (PDM): the duration of each pulse is modulated by the signal.
- Pulse position modulation (PPM): the time of occurrence, or position of pulses is modulated by the signal.
- Pulse code modulation (PCM): only certain values of the amplitude of the modulating signal are allowed, and each sample is assigned a numerical value. A pattern of pulses that represents this value is transmitted as a coded pulse train. (Morse code is an example of a pulse code.)

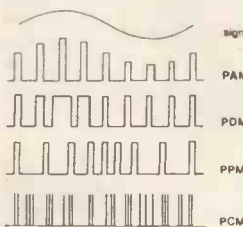


Figure 45

Information Transmission

Whenever information needs to be transmitted from one point to another, as in telecommunications, computer systems, radio and television, certain fundamental elements are required to produce an effective communication system. These elements are the source, modulator, transmitter, propagation medium, receiver, demodulator and receptor (Fig. 46).

Terrific Tori

What advantages have toroidal power transformers over their conventional stacked lamination counterparts? Toroidals are about 50 per cent lighter and smaller. They are magnetically more efficient. They

radiate less electrical and audible hum.

Cotswold Electronics Ltd. stocks a "budget" range of these transformers, costing around £9 for a 30VA unit to around £25 for a unit rated at a little over 500VA, at one-off prices. Details from **Cotswold Electronics Ltd., Unit T1, Kingsville Road, Kingsditch Trading Estate, Cheltenham, Gloucester GL51 9NX. ☎ 0242 41313.**

CONSTRUCTIONAL PROJECTS

Across The River

The p.c.b.-mounting buzzer for **Across The River** is available from **RS Components (RS 249-794).**

Caravan PSU

Switch S2 used in the **Caravan PSU** is assumed to be the **Maplin Electronics 4P3W** slide switch, in the wiring diagram. The 317M variable voltage regulator IC1 is available from **Greenweld Electronic Components, 443 Millbrook Rd., Southampton SO1 0HX. ☎ 0703 772501.**

Electronic Doorbell

The PB2720 piezoelectric transducer used in the **Electronic Doorbell** is available from **Cirkit (stock number 43-27201)** for the princely sum of 55 pence. There should be no difficulty in procuring the remaining components. **Cirkit, Park Lane, Broxbourne, Hertfordshire EN10 7NQ. ☎ 0992 444111.**

It was mooted in the **EE** office that this project would make an ideal "pocket doorbell" for calling on houses without their own fitted. You would simply dangle it through the letter-slot, on the end of its wire, push the button and retrieve it. But is this a truly original idea?

Graphic Equaliser

There are no components in the **Graphic Equaliser** that should present any buying difficulties, although it should be pointed out that S1 is integral to SK1, which is a 0.25in. jack socket with a "make" switch. A suitable socket is available from **Electrovalue Ltd., 28 St. Judes Rd., Englefield Green, Egham, Surrey TW20 0HB.**

High Impedance Multimeter

The 50µA f.s.d. panel meter (1.4k resistance) used in the **High Impedance Multimeter** is available from **Maplin (order as RX54J)**, for £8.95. See page 209 of the **Maplin catalogue**, or contact **Maplin Electronic Supplies Ltd., PO Box 3, Rayleigh, Essex SS6 8LR.**

The LF441 CMOS op. amp. can be obtained from **Macro Marketing Ltd., Burnham Lane, Slough, Berkshire SL1 6LN. ☎ 06286 4422.** If you do not have an account number with **Macro**, your first order will set one up.

Computerised Shutter Timer

All of the components in the **Computerised Shutter Timer** were found to be readily available when checked.

Multicore makes soldering easy, fast and reliable



Ersin Multicore
Contains 5 cores of non-corrosive flux.
Uses: For all electrical joints.
Handy Pak: Size 19A 60/40 tin lead
1.22mm dia £1.50 Tool Box Reel: Size 3
60/40 tin/lead 1.6mm dia £4.37



Ersin Multicore
Contains 5 cores of non-corrosive flux.
Uses: Small transistors, components and
fine wire. Handy Pak: Size PC115
60/40 tin/lead 0.7mm dia £1.61
Tool Box Reel: Size 10 60/40
tin/lead 0.7mm dia £4.37



Multicore Saverbit
Increase the life of your soldering
bit by 10 times. Uses: For all electrical work.
Reduces copper erosion. Handy Pak:
Size 5 1.2mm dia £1.38 Tool Box Reel:
Size 12 1.2mm dia £4.37



Multicore Solder Cream
Mixture of powdered 60/40
(tin/lead metal alloy and rosin flux)
Uses: Micro electronics and printed circuits.
Handy Tube: Size BCR 10 £1.73



**Multicore All Purpose Handyman
Solder Pak**
Contains three types of solder for
electrical, metal and aluminium repairs,
all in handy easy to use dispensers.
Handy Pak: Size 8 £2.99



Bib Wire Strippers and Cutters
With precision ground and hardened
steel jaws. Adjustable to most wire sizes.
With handle locking-catch and easy-grip
plastic covered handles.
Wire Strippers: Size 9 £2.99



Multicore Solder Wick
Absorbs solder instantly from
tags and printed circuits with
the use of a 40 to 50 watt soldering
iron. Quick and easy to use.
desolders in seconds
Handy Pak: Size AB10 £1.43



Bib Audio/Video Products Limited,
(Solder Division),
Kelsey House, Wood Land End,
Hemel Hempstead, Hertfordshire, HP2 4RQ
Telephone: (0442) 61291 Telex: 82363

If you have difficulty in obtaining any of these products send direct adding 50p for postage and packing. For free colour brochure and Hints on soldering booklet send S.A.E.
All prices stated are Recommended Retail and include VAT

FOR QUALITY COMPONENTS
BY MAIL ORDER

ELECTROVALUE



FREE
44 PAGE
PRICED AND
ILLUSTRATED
CATALOGUE
ON REQUEST

FREE POSTAGE
GOOD DISCOUNTS
GOOD SERVICE
THOUSANDS OF
STOCK ITEMS
PHONE YOUR ORDER
ACCESS OR
BARCLAYCARD

ELECTROVALUE LTD 28 St. Jude's Road, Englefield Green, Egham,
Surrey TW20 0HB Phone Egham (0784) 33603. Telex 264475
North Branch, 680 Burnage Lane, Manchester M19 1NA
Phone 061 432 4945
Please mention this publication when replying

Master Electronics - Microprocessors - Now! The Practical Way!

- Electronics - Microprocessors - Computer Technology is the career and hobby of the future. We can train you at home in a simple, practical and interesting way.
- Recognise and handle all current electronic components and 'chips'.
- Carry out full programme of experimental work on electronic computer circuits including modern digital technology.
- Build an oscilloscope and master circuit diagram.
- Testing and servicing radio - T.V. - hi-fi and all types of electronic/computer/industrial equipment.



New Job? New Career? New Hobby?

SEND THIS COUPON NOW.

FREE! COLOUR BROCHURE

Please send your brochure without any obligation to

OR TELEPHONE US 062 687 2598
OR TELEX 22758 (24 HR SERVICE)



NAME _____
ADDRESS _____
CITY _____
POST _____

I am interested in
 ELECTRONICS
 MICROPROCESSORS
 RADIO AMATEUR LICENCE
 CITY & GUILDS EXAMS

Other Subjects _____

British National Radio & Electronics School P.O. Box 7, Teignmouth, Devon, TQ4 0HS



a regular feature for the Spectrum Owner...

by Mike Tooley BA

IN COMMON with most of the ready-made Spectrum interfaces, many of the projects which we shall be describing in *On Spec* will derive their power directly from the Spectrum. We shall, therefore, start this month with an important note concerning the d.c. supply rails available at the Spectrum's edge connector.

Power Supply

Whilst it would appear to be expedient to use the Spectrum's own internal supplies, the would-be experimenter should first be made fully aware of the limitations of these voltage rails. Failure to do so may not only result in unpredictable behaviour of the computer but may also cause *permanent damage* to the Spectrum's own internal power supply.

It should be noted that there are definite limitations to the current which may be safely drawn from the Spectrum's internal supply rails. This is particularly true in the case of the nominal +12V and -5V rails which are internally generated from a simple d.c.-to-d.c. converter, the reliability of which has been a consistent cause for concern with early issues of the Spectrum. (Sinclair have, in fact, taken steps to alleviate these problems with the introduction of a series of modifications and improvements to the circuitry around the d.c.-to-d.c. converter, TR4).

For the sake of readers who may have missed March's *On Spec* we will just summarise the power rails to which we have access at the rear connector: refer to Table 1, above.

The +9V unregulated line consists of nothing more than the unregulated d.c.

input from the mains unit and, although an appreciable current may be safely drawn from this rail, the voltage may vary anywhere between 9V and 11V depending upon the mains input, load current, and particular mains unit employed.

The +5V regulated rail is derived from a single monolithic three-terminal regulator (marked REG on the p.c.b.) In early versions of the Spectrum (Issue 1 and Issue 2) this regulator was somewhat prone to overheating and, from Issue 3 onwards, was relocated to the rear of the p.c.b. and accorded the benefit of a much larger heatsink. It should be noted that, by virtue of the 7805's internal foldback over-current protection, this device will usually survive the ravages of a temporary short circuit placed on the +5V rail.

point (shown, for the benefit of the curious, in Fig. 1) comprises a high frequency component of typically 100kHz or more, superimposed on a d.c. level of approximately 10.5V. The peak-to-peak value of this decidedly non-sinusoidal waveform is of the order of 20V or so. Permanent damage to TR4 can be caused by an inadvertent misconnection or temporary short-circuit placed on the ~12V rail and hence this particular voltage rail is best left well alone!

Solution

Generally the most satisfactory solution to the problem of delivering power to an external interface (at least where any appreciable current is involved) is that of providing an additional 7805 regulator within the interface unit. This, in turn, should derive its power from the

Table 1. Voltage levels available at the Spectrum rear connector

Designation	Connector Reference	Typical voltage	Max. recommended current
9V unregulated	4B	+10.5V	300mA
5V regulated	3B	+4.9V	50mA
12V	22A	+11.5V	10mA
-5V	20A	-4.5V	5mA
~12V	23A	(see Fig. 1)	do not use!

The +12V and -5V rails required by the lower 16k of RAM (IC6 to IC13) are produced by the on-board d.c.-to-d.c. converter, TR4. The +12V rail is regulated by means of d.c. feedback in the converter whilst, in later issues the -5V rail also has the benefit of an additional shunt zener diode regulator. Unfortunately, neither of these rails can deliver much in the way of current.

High-Frequency Waveform

The ~12V line is connected directly to the collector of the d.c.-to-d.c. converter, TR4, and the normal waveform at this

unregulated 9V line. Not only is this arrangement flexible but it also helps to minimise the effects of loading on the already well-used internal supply rails of the Spectrum.

Four Channel Output Interface

Having started on a cautionary note, let's turn our attention to a simple four channel output interface. This unit has a wide variety of applications and complements the four channel input interface described in April's *On Spec*.

The complete circuit diagram of the interface is shown in Fig. 2. An eight-input NAND gate, IC1, together with the inverter formed by IC2b, provides address decoding so that the interface is selected whenever address line A6 is low and all other address lines (A0 to A7) are high. This corresponds to a decimal address of 191. If desired, the address may be changed to 255 by simply omitting IC2b and linking address line A6 directly to pin 11 of IC1.

The address decoded from IC1 is combined with the IORQ and WR lines using IC2a so that the output of IC2a (pin 6) goes high whenever the Spectrum writes to port address 191 (or 255 if IC2b is omitted). This has the effect of clocking

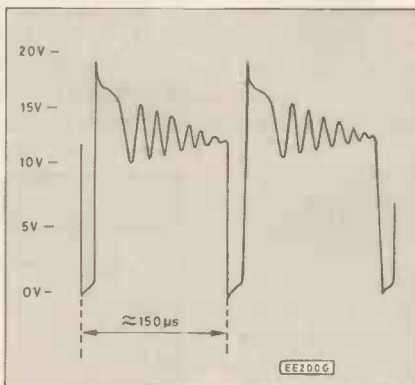


Fig. 1. Waveform at the collector of TR4

COMPONENTS

Resistors

R1 to R4 270(4 off)
R5 1k
All $\frac{1}{4}W \pm 5\%$

Capacitors

C1 10 μ 16V p.c. electrolytic
C2 to C4 100n polyester (3 off)

Semiconductors

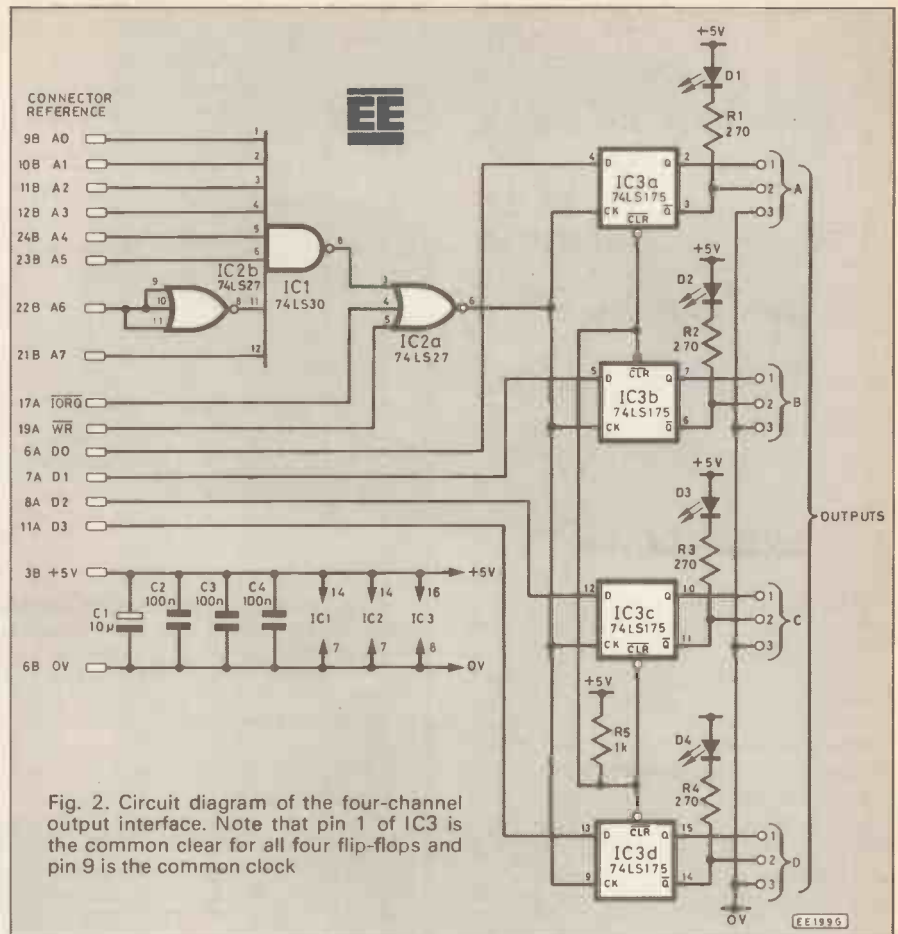
D1 to D4 Red l.e.d. (4 off)
IC1 74LS30
IC2 74LS27
IC3 74LS175

Miscellaneous

14-pin low-profile d.i.l. sockets (2 off); 16-pin low-profile d.i.l. socket; 28-way open end double-sided 2.54mm pitch connector (e.g. Vero part number 838-24826A); terminal pins (12 off) or four 3-way 2.54mm pitch connectors; 2.54mm hole pitch strip-board measuring approx. 80mm x 80mm (minimum 28 strips).

Approx. cost
Guidance only

£5.00



the data which appears on the least significant four data lines (D0 to D3) into the data latch formed by IC3. The "Q" outputs of the four latches will then retain the state of their respective data input lines until the latch is again written to.

The Q and \bar{Q} outputs of each data latch (which are, of course, TTL compatible) are both made available. This not only allows an l.e.d. indicator to be connected to each channel but also permits direct connection of sensitive d.i.l. reed relays since the \bar{Q} output is capable of sinking currents in the order of 15mA or so.

Construction

Construction of the four-channel output interface follows the same broad principles as that adopted for the four-channel input interface described in April's *On Spec*. The interface components are assembled on a small piece of Veroboard measuring approximately 80mm x 80mm. Whilst the precise dimensions of the board are unimportant, it must have a minimum of 28 tracks aligned in the vertical plane.

The 28-way double sided edge connector is mounted along the bottom edge of the board and will require approximately

5 rows of holes across the full width of the stripboard. The board will thus stand vertically when the connector is mated with the Spectrum.

Before soldering any of the components to the stripboard, it is important to leave some clearance for the rear "overhang" of the case. For the Spectrum this gap should correspond to 8 rows of holes (20mm approx.) whilst for the Spectrum Plus the gap should be increased to 12 rows of holes (30mm approx.).

Whilst component layout is generally unimportant, care should be taken to ensure that the supply decoupling capacitors, C2 to C4, are distributed around the board (each preferably associated with an individual integrated circuit supply). Great care should be taken to ensure that all unwanted tracks are cut (including those which link the upper and lower sides of the 28-way connector). A purpose designed "spot-face" cutter may be used for this purpose or, if such a device is not available, use can be made of a small sharp drill bit.

Links on the underside of the board are best made using appropriate lengths of miniature insulated wire of the type normally employed for wire wrapping. Readers requiring further information on

the connector should refer to March *On Spec*.

When the stripboard wiring has been completed, the three integrated circuit devices should be inserted into their sockets (taking care to ensure correct orientation) and the entire board should be carefully checked before connecting to the Spectrum. Note that the Spectrum **should always be disconnected from its supply** before either connecting or disconnecting any interface module. If all is well, when power is re-applied, the normal copyright message should appear. If not, disconnect the power, remove the interface and check again.

Any comments, queries, or suggestions for inclusion in *On Spec* should be sent to:

Mike Tooley,
Department of Technology,
Brooklands Technical College,
Heath Road,
WEYBRIDGE,
Surrey KT13 8TT.

And don't forget to include a stamped addressed envelope if you would like a copy of our latest "Spectrum Update".

NEXT MONTH: We shall provide some example uses for the four-channel output interface.



THE LACK OF I/O facilities is undoubtedly one of the Sinclair Spectrum's weakest points. This is unfortunate since many other low-cost personal computers provide some form of parallel I/O which is available for use by the experimenter. Even with the simplest interface hardware (i.e. one which is not itself programmable) the possibilities are immense, ranging from controlling your model railway to running your domestic central heating system.

An interface, therefore, must be considered as an essential pre-requisite when connecting your Spectrum to the outside world. Happily, a few hardware suppliers are beginning to cater for this need. One such supplier, Datel Electronics (no newcomer to the field of Spectrum interface design) have recently introduced their *Robotek* interface as an addition to their existing range of 'add-ons' which includes such devices as joystick interfaces and light pens.

I/O CHANNELS

The *Robotek* interface has four output channels (labelled A to D) and eight input channels (labelled A to H). The interface is mapped to a decimal port address of 63 (address lines A6 and A7 both low). The output channels appear as relays, each of which has a single set of changeover contacts and, therefore, has three associated lines; common, normally closed, and normally open. In the non-energised state the common connection is linked to the normally closed contact whereas, in the energised state, the common connection is linked to the normally open contact. A relay may be energised by simply writing a logic 1 to the output channel concerned. It is important to note that all of the output channels have a latching action (i.e. once energised the relay will stay that way until a logic 0 is written to the channel concerned).

Besides the flexibility of relay outputs, this also provides a measure of isolation for the Spectrum controller. Each relay

can switch up to 50V at 1A. It should, however, be stressed that the *Robotek* is not suitable for directly switching a.c. mains supplies. This is a task which can be easily accomplished using an appropriately rated external relay or solid-state switch. (It would have been nice to see a few hints as to how this can be done in the instructions!)

One further point to note is that the wiring of output channel D differs from that of the other channels in that the normally open contact is also used as the common ground connection for the eight input channels. The reason for this anomaly is the use of a 20-way IDC connector for terminating all the I/O lines. With three lines devoted to each relay (making a total of twelve output lines) and eight input lines devoted to inputs, the common ground connection has to be shared. Whilst in many applications this may be unimportant, it may restrict the usefulness of output channel D where a degree of isolation is required.

SOFTWARE

Software control of the output is extremely easy. Each channel is associated with a particular data line hence, to switch channel A 'on' from BASIC you need simply key:

OUT 63,8

and, to switch channel A 'off' again, you need only enter:

OUT 63,0

The eight input lines are all TTL compatible and are not isolated. The lines are internally pulled-up so that, in the absence of any external connections, they all adopt a logic 1 state. If a switch is now connected between an input line and common ground, when 'open' a logic 1 input will be sensed and when 'closed' a logic 0 will be perceived. Obviously the user is not restricted to using mechanical switches as inputs and any TTL compatible switching device (such as a TTL optoisolator) could be employed.

DATA VALUES

Just as a data value is associated with each output channel, a value is associated with each input channel. Thus, if we had a single input switch connected to channel A (value=4) we could sense its state by keying:

PRINT IN 63

If this returns a value of 255 (all input lines high) the switch would be 'open'. If a value of 251 were to be returned we would surmise that the switch was closed (all lines EXCEPT that used by channel A are high).

The *Robotek* is neatly housed in an ABS case measuring approximately 110 x 77 x 28mm. The case is fitted with a double-sided edge connector which mates directly with the expansion connector at the rear of the Spectrum. It is important to note, however, that this case will not mate directly with the Spectrum Plus!

The external lines are terminated in a 20-way IDC connector which emerges from the upper edge of the ABS case. A matching connector (assembled on a 620mm length of 20-way colour coded ribbon cable) is supplied with the *Robotek*. Two main criticisms follow—the cable was not really long enough (they never are!) and the ribbon cable colour codes did not correctly agree with the pin assignment of the IDC connector!

The unit is supplied with two A4 pages of instructions. These explain the electrical properties of the input and output channels and provide brief details of how they can be controlled from BASIC. Also included are tables giving the values associated with each input and output channel (these are useful since the values do not follow the logical sequence of weighting) and a chart showing the ribbon cable connections. My only comment on the instructions are that a few sample programs could have been usefully included for the benefit of the inexperienced programmer. These could, for example, show how the four output channels can be controlled independently and how the status of the input lines can be repeatedly sensed.

CONCLUSION

The Datel *Robotek* offers the experimenter tremendous scope for expanding his Spectrum beyond the confines normally associated with a games/entertainment machine. The few minor criticisms voiced in this review in no way detract from the usefulness of the interface which is both competitively priced and excellent value for money. So, whether you are building a robot or intelligent security system, there are no longer any excuses; this interface will help you do it!

The *Robotek* interface costs £29.99 (post free). It is available from: Datel Electronics, Unit 8, Fenton Ind. Est., Dewsbury Road, Fenton, Stoke-on-Trent. (0782 273815).

ACROSS THE RIVER

W.D. PHILLIPS BSc PhD

THIS easy-to-build hand-held electronic game can provide fun for all the family. It is based on a very old problem in which a farmer has to cross a river to get his goods to market; the snag is that he can take only one item at a time, and he has to be selective if he is to get all three safely across.

THE PROBLEM

A farmer takes to market a hen, some corn, and a fox. On the way to town he has to cross a river. There is a boat but the farmer can take only one of the three,

either the hen, the corn, or the fox, across at a time. This unlikely scenario creates a nice little problem in logic.

When the farmer is there to keep order, everything is under control but, if he leaves the hen with the corn, on either side of the river, the hen will eat the corn, while if he leaves the fox with the hen, the fox will eat the hen. The problem is how exactly does the farmer cross the river safely with all three of his possessions and continue on his way to market?

TRUTH TABLE

The first step in designing an electronic circuit to model this situation is to construct a truth table for the problem, as shown in Table 1.

In the truth table, a '0' in the *farmer* column shows the farmer on the first side of the river, while a '1' shows him on the second side. In the same way, 0's and 1's are used to represent the position of the *hen*, *corn*, and *fox*. In the *output* column, a 0 corresponds to a safe overall position, while a 1 indicates that either the corn or the hen, or perhaps both, are about to be eaten!

Table 1: Truth table for the problem.

farmer D	hen C	corn B	fox A	output
0	0	0	0	0
0	0	0	1	0
0	0	1	0	0
0	0	1	1	0
0	1	0	0	0
0	1	0	1	1
0	1	1	0	1
0	1	1	1	1
1	0	0	0	1
1	0	0	1	1
1	0	1	0	1
1	0	1	1	0
1	1	0	0	0
1	1	0	1	0
1	1	1	0	0
1	1	1	1	0

D = 0: Farmer on first side of river.
D = 1: Farmer on second side of river.

DATA SELECTOR LOGIC

The truth table is turned into a practical circuit using a simple but elegant technique called *data selector logic*. A 16-bit data selector is shown in Fig. 1. The *select inputs*, A, B, C, and D, are decoded to provide the "address" of one of the *data inputs*, numbered 0 to 15. The logic level available at the selected input is then transferred to the single *output* pin. A complete solution to the hen, corn, fox problem is obtained simply by connecting 0's and 1's to the data inputs as illustrated.

A more economical solution using an 8-bit data selector is shown in Fig. 2. In this case there are just three select inputs: these are chosen to correspond to the hen (input B), the corn (input A), and the fox (input C). By referring to the truth table of Table 1, the correct logic level to be connected to each of the data inputs can be determined and a revised truth table (Table 2) can be drawn up.

The method is as follows: consider, in Table 1, the lines for which select inputs A, B and C are all 0. In one case, select input D = 0, corresponding to the farmer on the first side of the river, and for the other D = 1. The output is 0 for the first case and 1 for the second.

For the 8-bit data selector, it is simply necessary to arrange for the *data inputs* to act as the fourth select line. Hence when A, B and C are all 0, data input 0 is routed to the output (Z): the logic level at data input 0 needs to be 0 when the farmer is on the first side of the river (F = 0) and 1 when he is on the other side (F = 1). This is achieved by switch S2, as shown in Fig. 3. The process continues similarly for the other seven possible combinations

Table 2: Truth table for an 8-bit data selector.

SELECT INPUTS			OUTPUT	OUTPUT
C (fox)	B (hen)	A (corn)	(F = 0)	(F = 1)
0	0	0	0	1
0	0	1	0	1
0	1	0	0	0
0	1	1	1	0
1	0	0	0	1
1	0	1	0	0
1	1	0	1	0
1	1	1	1	0

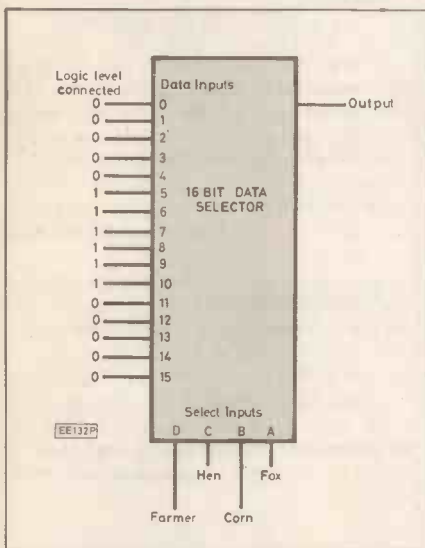


Fig. 1. 16-bit data selector.

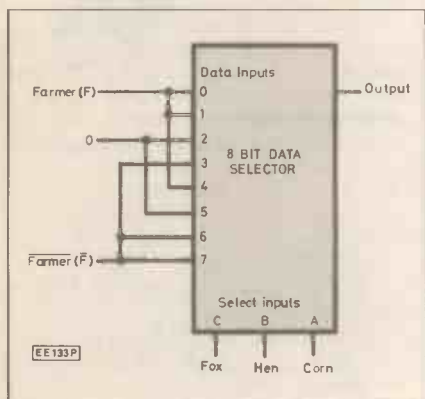


Fig. 2. 8-bit data selector.

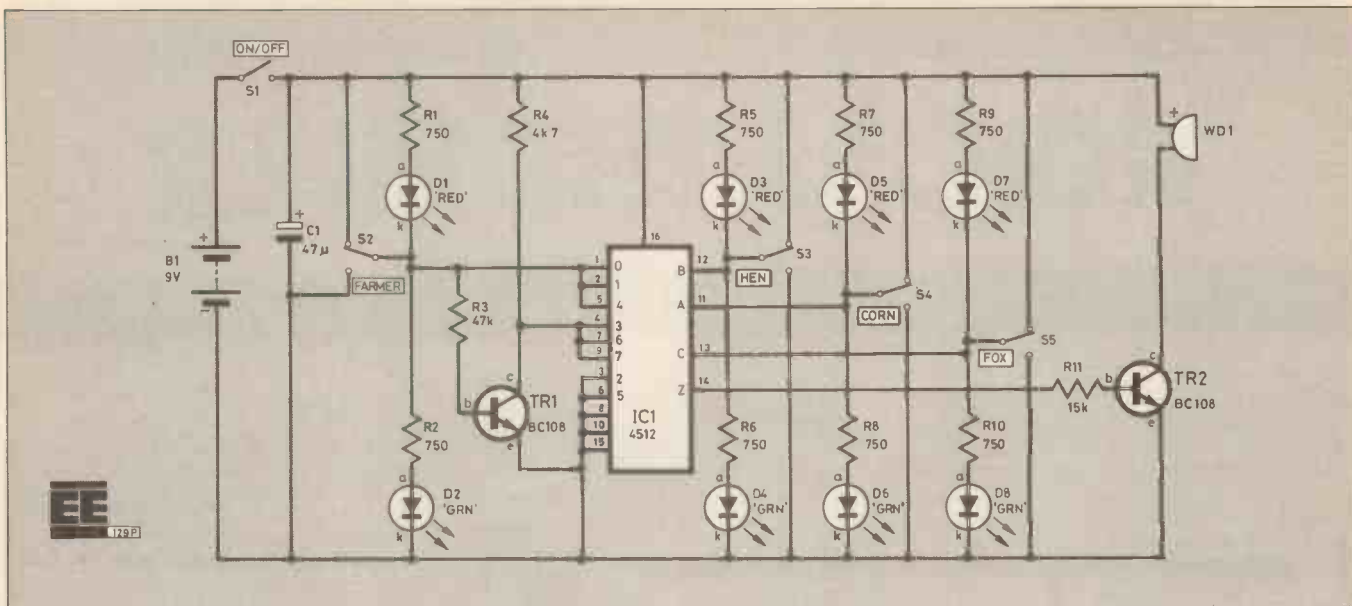


Fig. 3. Circuit diagram of the electronic game "Across the River".

of select inputs A, B and C, and is summarised in Table 2.

In the case when A, B and C are all 1, for example, in Table 1, when D = 0 the output is 1 and when D = 1 the output is 0. Hence for the 8-bit selector, the *inverse* of the input from S2 (F) needs to be connected to data input 7. This is done by TR1.

The appropriate logic levels for the other data inputs are chosen in a similar way. Depending on the desired truth table, some inputs are permanently connected to logic 0, or to logic 1. The remaining data inputs will then be connected either to the logic level for the variable F, or to its inverse, \bar{F} . In this case, three of the inputs are connected to farmer (F). In two cases (data inputs 2 and 5), the output is 0 whichever side of the river the farmer is. This corresponds to the (safe) situation in which the fox and the corn are together without supervision on either side. Hence these two data inputs can be connected directly to 0—see Figs. 2 and 3.

CIRCUIT DIAGRAM

The complete circuit diagram for the game is shown in Fig. 3. IC1 is a CMOS integrated circuit, the 4512 8-bit data selector. The s.p.d.t. switches, S3, S4, and S5, represent the hen, the corn, and the fox, and each can be switched to logic 1 or logic 0, thereby providing the select inputs required by the data selector.

At the same time l.e.d.s are illuminated to indicate the current position: red on one side of the river, and green on the other. S2 represents the farmer and the logic level obtained is inverted by TR1 to provide the farmer variable connected to data inputs 3, 6, and 7. The output, pin 14 of the data selector, drives the audible warning device, WD1, via TR2.

COMPONENTS
approximate
cost £13.50

COMPONENTS

Resistors

R1, R2, R5 to R10	750 (8 off)
R3	47k
R4	4k7
R11	15k

All $\frac{1}{4}$ W carbon film $\pm 5\%$

Capacitor

C1	47µ 25V elect. axial leads
----	----------------------------

Semiconductors

D1, D3, D5, D7	TIL 220 red l.e.d. (4 off)
D2, D4, D6, D8	TIL221 green l.e.d. (4 off)
TR1, TR2	BC108 silicon npn (2 off)
IC1	4512 CMOS 8-bit data selector

See
Shop Talk
page 312

Miscellaneous

S1-S5	s.p.d.t. min. toggle (5 off)
WD1	p.c.b. audible warning device

Printed circuit board: single sided size 114x60mm, available from the *EE PCB Service* (order code 8505-02), ABS box, 150x80x50mm, 16 pin d.i.l. socket, l.e.d. fixing clips (8 off), PP3 battery clip.



CONSTRUCTION starts here

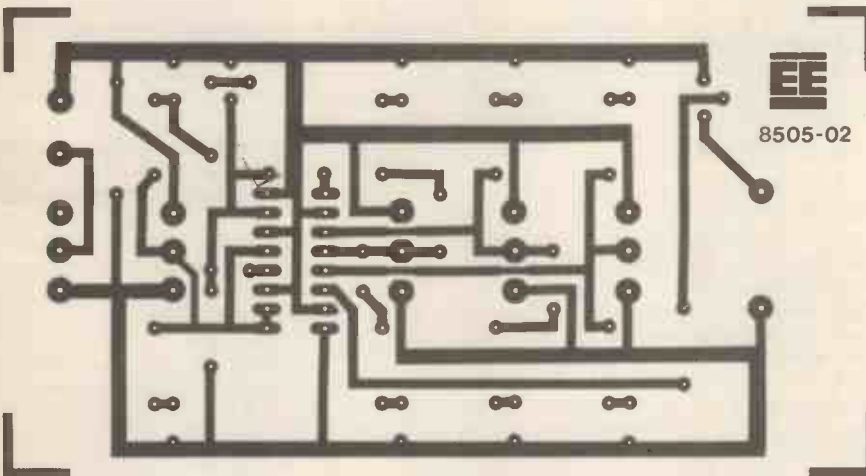
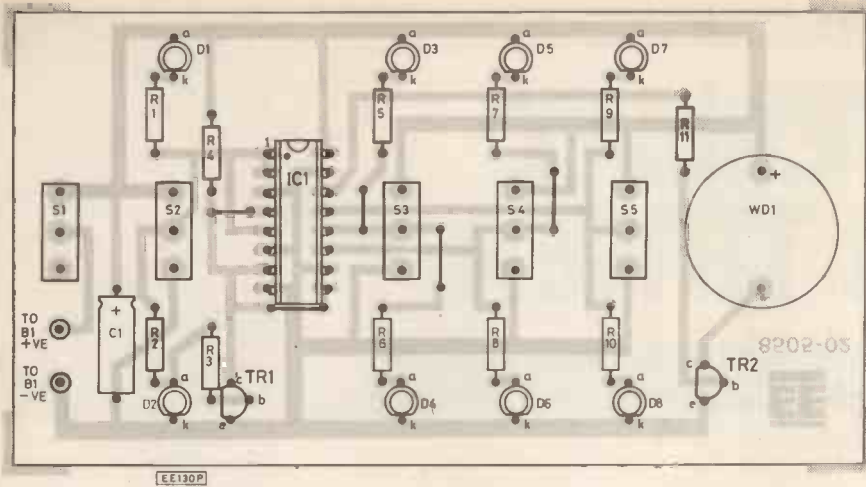
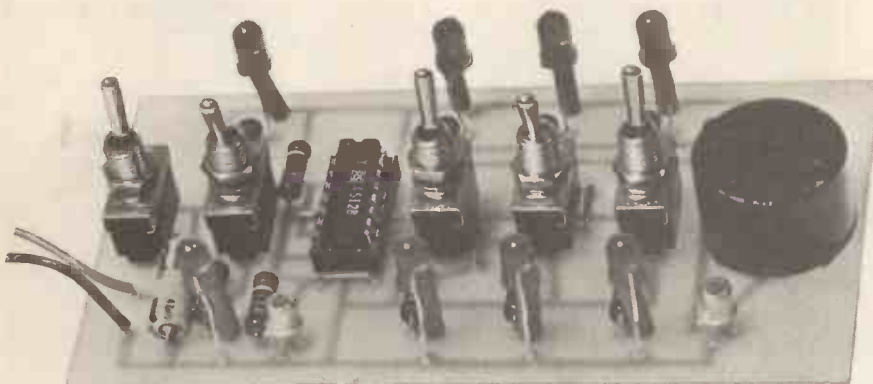


Fig. 4. Top, component layout for "Across the River". Above, actual-size p.c.b., available from the EE PCB Service, order code 8505-02.



The completed circuit removed from its case. Note that when completing the assembly of the unit, all components *except* the l.e.d.s should be soldered in position. The ABS case lid should have 13 quarter-inch holes drilled in it to match the positions of the switches and l.e.d.s, and one additional quarter-inch hole directly over the centre of the audible warning device WD1. The l.e.d.s should first be fixed by their clips in the case lid, and then their leads threaded through the appropriate holes in the p.c.b. Finally, the switches should be secured by their fixing nuts, and then the l.e.d.s soldered in position.

Use of the printed circuit board available for the project is strongly recommended. This has been designed to eliminate interwiring and simplifies construction considerably. Begin by soldering all the components, as shown in Fig. 4, with the exception of the eight l.e.d.s, which are kept separate until later. The five s.p.d.t. switches are mounted directly on the p.c.b. and care should be taken to fix them in an exactly vertical position: switches with pins spaced at 0.2in. intervals are required.

The circuit should be tested at this stage by fitting IC1 in its socket and connecting a battery. Using S2, S3, S4, and S5, work through the complete truth table, checking that the audible warning device sounds whenever there is a 1 in the output column.

Next drill the lid of the case to accept the switches and the l.e.d.s. It is easiest to do this working in 0.1in. intervals, corresponding to the spacing of components on the p.c.b. Lettering and decoration of the case are best done at this stage.

Complete the assembly by fixing the l.e.d.s in position in their clips on the lid of the case, and then threading their connecting leads into the appropriate holes in the p.c.b. Cutting one lead on each l.e.d. slightly shorter than the other will facilitate this operation. Tighten the nuts fixing the switches and finally solder the l.e.d.s in position. This method of assembly avoids strain on the p.c.b. and produces a neat overall effect.

Table 3: Move-by-move solution.

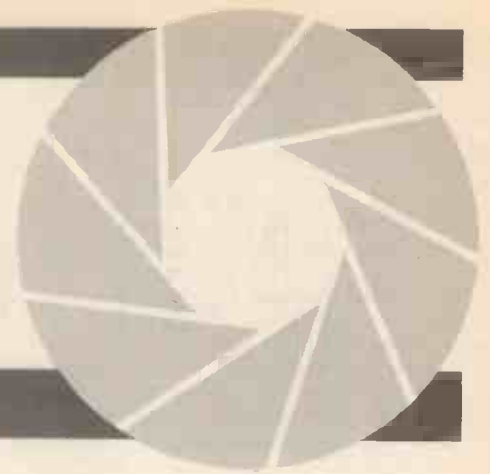
move	farmer D	hen C	corn B	fox A	output
0	0	0	0	0	0
1	1	1	0	0	0
2	0	1	0	0	0
3	1	1	1	0	0
4	0	0	1	0	0
5	1	0	1	1	0
6	0	0	1	1	0
7	1	1	1	1	0

THE SOLUTION

It is expected that constructors will discover the solution to the problem for themselves; for the record, the correct sequence of moves is given in truth table form in Table 3. □

COMPUTERISED SHUTTER TIMER

R.A.PENFOLD



ELECTRONIC shutter timers are much used by photographic magazines when preparing camera reviews, and are also a standard piece of test equipment in camera repair workshops. Such a unit would obviously be very useful for a camera enthusiast as well, but the cost of even a home constructed shutter timer would probably be prohibitively expensive for most camera owners. However, with the aid of a suitable home computer an accurate shutter timer can be produced for a very modest outlay, and all that is required is a simple opto-electronic interface plus suitable software.

BBC INTERFACE

This shutter timer interface was built for use with a *BBC model B* microcomputer, and it connects to the user port of this machine. The user port is basically an 8-bit input/output port plus two handshake lines, and it is provided by port B of a 6522 VIA (Versatile Interface Adaptor). In addition to the ten input/output lines it has a serial shift register and two 16-bit counter timers which can be accessed via certain of the lines. In this case it is the two timers that are of interest. These count down at a rate of 1MHz, and therefore give a resolution of one microsecond. In practice the level of accuracy this would suggest is not usually achieved, and this application is no exception, but more than adequate accuracy to permit checking of shutter times from about 1/1000th of a second to several seconds is obtained. The unit is powered from the user port of the computer and does not need any other power source.

VIC-20 INTERFACE

The *Commodore VIC-20* computer has a user port that is also provided by port B of a 6522 VIA, and which therefore offers virtually identical facilities to the equivalent port of the *BBC* machine. This timer interface has been tried with the *VIC-20* and operates perfectly well with the computer, and software plus connection details for both computers are included in this article.

Of course, although intended for use as a shutter timer this interface and (or) the method of timing suggested in this article could be used in other applications that require accurate split-second timing. Possible applications range from an ultra-accurate lap timer for a slot-car race track, to scientific experiments in schools.

OPERATING PRINCIPLE

Fig. 1 shows the system in block diagram form. The interface consists of just the light detector and trigger circuit, while the rest of the hardware is part of the computer.

The 1MHz clock of the computer is applied to a 16-bit binary counter via some control logic. In practice the 16-bit counter is possibly better regarded as two 8-bit counters connected in series, since the 8-bit data bus of the computer means that it is only possible to read or load one half of the counter at a time. It should perhaps be explained that although the *BBC* computer has a 2MHz clock, this is divided by two to give a 1MHz clock signal for input/output circuits, including the 6522 VIA. The clock frequency of the *VIC-20* is actually marginally more than 1MHz (1.08MHz), and although we will ignore the small error this produces in this application, if required some mathematics in the software could be

used to correct it.

In the "free-running" mode the counter continuously counts down to zero, whereupon it is reloaded with the maximum value of 65535 and count down recommences. Software can be used to set the counter to any desired value and at any time. The most simple way of using the counter to time an external event is to use the two handshake lines of the user port (CB1 and CB2) as inputs to detect the beginning and end of the event. When the beginning is detected a short assembly language routine is used to load the counter with a value of 65535, and when the end is detected the counters are read by another assembly language routine. Assembly language (or machine code in the case of the *VIC-20*) must be used as BASIC is far too slow for this application, and would produce hopelessly inaccurate results. Of course, the number read from the counter is not the answer in microseconds as the counter is a "down" type. However, simply deducting the number from 65535 effectively inverts the counter action and gives an answer in microseconds.

A problem with this basic arrangement is that a clock frequency of 1MHz plus a maximum count of 65535 gives a maximum timing period of only about 1/15th of a second. This is sufficiently long to cover most shutter speeds, but many



cameras these days have maximum shutter times of around one to four seconds. In order to accommodate longer shutter times one section of the other counter in the 6522 VIA is used to count the overflow pulses from the first timer. The first timer can provide an output on line PB7 of the user port, and this line is toggled each time the counter reaches zero. The other counter can count input pulses on line PB6, and can therefore count the overflow pulses of the first timer if lines PB6 and PB7 are linked.

By using just the least significant bit of the second timer the maximum shutter time that can be accommodated is boosted to just over half a minute, which should be more than adequate for the present application. By also using the most significant byte the maximum timing period could actually be boosted to more than an hour if required.

The interface to drive the two handshake lines is very simple, and it merely needs to provide a positive output pulse while the shutter is open. This is accomplished by positioning a photocell behind the shutter, and having a light source in front of the camera. The latter can be provided by a torch, or even just the light from a window will often suffice. The photocell provides an output pulse while the shutter is open and it is subjected to a higher light level, but this pulse must be processed by the trigger circuit to give an output that is compatible with the handshake inputs of the user port.

THE CIRCUIT

Refer to Fig. 2 for the circuit diagram of the interface. The photocell is photo-transistor TR1, and virtually any silicon photo-transistor can be used here. The unit was found to work well using types BPY62, TIL81, BPX25, BPX29, and even the *Maplin* "low cost phototransistor" gave good results. Other types of photocell are unlikely to give usable results. Cadmium sulphide photo-resistors and photo-Darlington devices are likely to have inadequate response

Fig. 2. Circuit diagram

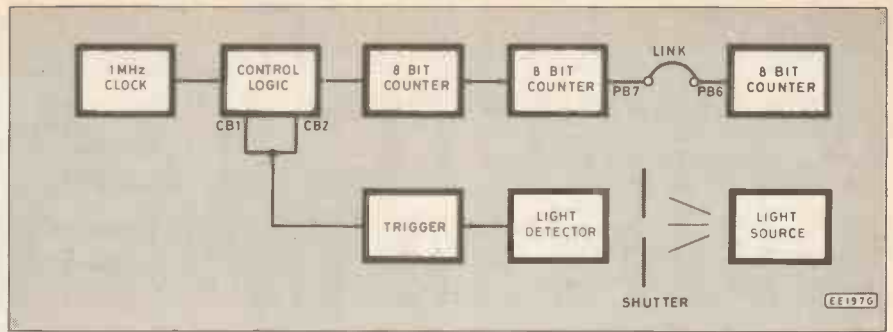
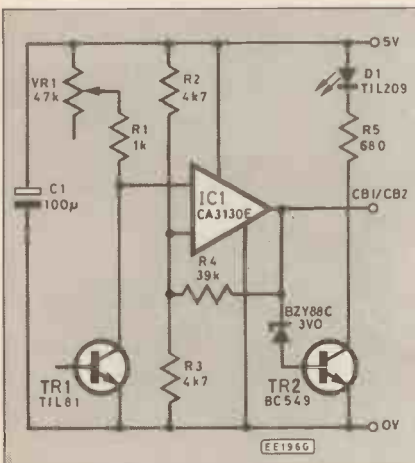


Fig. 1. Block diagram

time, and a photo-diode would almost certainly have inadequate sensitivity.

In this circuit it is the collector to emitter leakage current of TR1 that is utilized, and the base terminal is left unconnected. This leakage current is very low under dark conditions, being typically about 1µA, but it increases substantially as the light level received by the device is increased and can reach several milliamps. This results in a negative output pulse being generated from the pulse of light caused by the shutter operating. VR1 enables the sensitivity of the circuit to be adjusted so that a wide range of ambient and light pulse levels can be accommodated.

IC1 is an operational amplifier which is connected as a straightforward Schmitt trigger having hysteresis provided by R4. This helps to give a "clean" output pulse which is free from noise spikes that could give spurious results. The trigger circuit is an inverting type so that the negative output from TR1 gives the required positive output pulse from IC1. The use of a substitute for the CA3130E specified for IC1 is not recommended since few (if any) other devices would operate properly on the 5 volt supply from the user port, and would give a large enough output voltage swing to drive CB1 and CB2 of the port correctly. The CA3130E has a CMOS output stage which enables it to operate efficiently from a 5V supply and to give a large output voltage swing.

When the output of IC1 goes positive TR2 is switched on, and this in turn activates I.e.d. indicator D1. D1 plays no active role in the circuit, but is very helpful when setting up the system as it will flash on while the shutter is open if the equipment is set up correctly.

CONSTRUCTION

Most of the components fit onto a small printed circuit board, as detailed in Fig. 3. The board is constructed using the normal techniques, but note that IC1 is a MOS device and consequently requires the appropriate handling precautions. Fit this device in an 8-pin d.i.l. i.c. socket, but do not fit it into place until the board and wiring have been completed. Leave it in its protective packaging until then, and handle the device as little as possible. Fit Veropins to the board at the places where connections to off-board components will be made.

A plastic Verobox having dimensions of 100 x 50 x 40 millimetres makes a neat but tough housing for the unit. The board has been designed to fit onto the mounting pillars moulded into the base section of this case and suitable self-tapping mounting screws are supplied with the case. The board could easily be mounted in another case though, by drilling four mounting holes at suitable positions on the rear panel of the case and using M3 or 6BA fixing screws. VR1 and D1 are mounted on the front panel of the case. TR1 must be mounted off-board, and one way of arranging things would be to mount this component on the front panel of the unit. With the interface positioned behind the camera and the light source positioned in front it should then be possible to align things to give good results. An alternative method, and the one adopted for the prototype, is to fit a 3.5mm jack socket on the front panel of the unit, and to then connect TR1 to the board via this and a screened lead about 0.5 metres long and terminated with a 3.5mm jack plug. TR1 can then be easily positioned for use with any camera shutter or in-lens shutter.

The board connects to the computer by way of a four-way lead about 0.5 to 1 metre long, and an exit hole for this is drilled in one side of the case. Connection to the BBC computer requires a 20-way IDC header socket, while a 2 x 12-way 0.156 inch pitch edge connector is required in the case of the VIC-20. In either case the terminals connecting to PB6 and PB7 must be linked. Connection details for both computers are provided in Fig. 5.

TIMERS

Timer 1 is used as the 16-bit counter fed from the machine clock, and this is controlled by bits 6 and 7 of the auxiliary control register at &FE6B (37147 in the VIC-20). Both bits are set high to give the free running mode with output on PB7 enabled. Timer 2 provides the most significant byte, and this timer is controlled by bit 5 of the auxiliary control register. This bit is set high to give the mode where input pulses on PB6 are counted. Data is written to or read from timer 1 at &FE64 and &FE65 (37140 and 37141 for the VIC-20). The

equivalent addresses for timer 2 are &FE68 and &FE69 (37144 and 37145 for the VIC-20). Note that even though the high byte of timer 2 is not used, data must still be written to this byte in order to load the low byte (which is stored in the 6522 and loaded into the counter when the high byte is loaded).

The operating mode of CB1 and CB2 is controlled by the peripheral control register at &FE6C (37148 in the VIC-20). Bit 4 controls CB1, and this bit is set high so that it is activated by a low to high transition (i.e. the leading edge of the signal from the interface). CB2 is controlled by bits 5 to 7, and of these only bit 5 is set high so that CB2 is activated by a high to low transition (i.e. the trailing edge of the pulse from the interface).

Active transitions on CB1 and CB2 set bits 4 and 3 respectively of the interrupt flag register at &FE6D (37149 in the VIC-20). Writing a 1 to each of these bits resets them.

The basic action of the software must be to first set CB1, CB2, and the two timers in the correct modes. Then the program loops until the CB1 flag is set, at which point the timers are loaded with the maximum values. The program then loops until the CB2 flag is set, after which the timers are immediately read and the figures obtained are stored in zero page addresses. The stored values are then processed and used to calculate the shutter time which is printed on-screen. After the CB1 and CB2 flags have been reset the program loops back to the point where the CB1 flag is monitored so that it is ready to take another timing. A slight improvement in timing accuracy might be obtained by disabling interrupts during each timing run, but this does not seem to be essential, and has not been included in the suggested software.

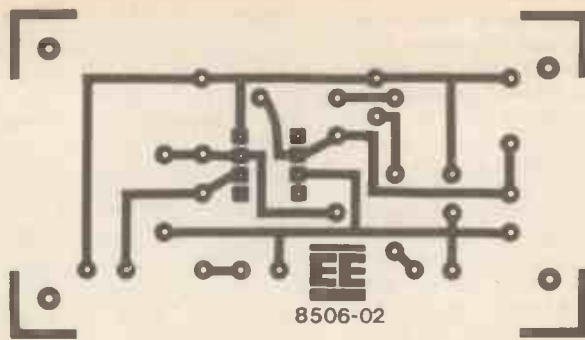


Fig. 3. P.c.b. track layout (actual size)

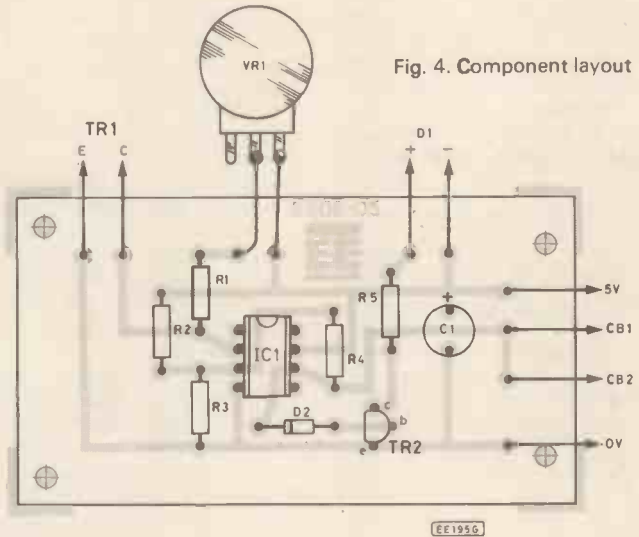
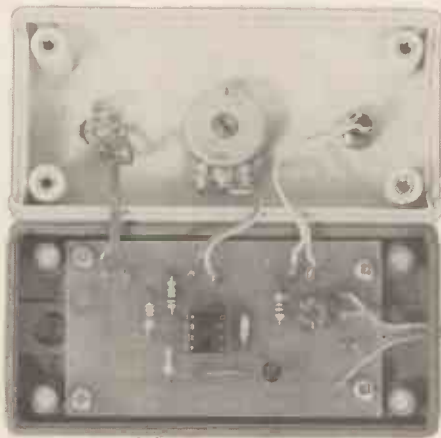


Fig. 4. Component layout

COMPONENTS

Approx. cost
Guidance only

£14



See
**Shop
Talk**

page 312

USING THE UNIT

Suitable software for the BBC model B and VIC-20 computers is provided in the form of the accompanying listings. In order to use the unit as a shutter timer it is not necessary to understand the operation of the timers in detail, and even if you do not understand the explanation given above, it is merely necessary to load and run the appropriate program for your computer. There should be no difficulty in finding a suitable light source, and aligning the shutter and photocell with this source. Any torch will provide a suitable light, and the prototype equipment even worked properly just using the light from a window. It might be necessary to adjust VR1 in order to obtain satisfactory results, and D1 (which should flash on when the shutter is open) helps to make setting up very much easier. D1 may not operate properly until the program is running and CB1/2 have been set to the correct operating mode. Until this is done D1 will probably just light up continuously.

Capacitor

C1 100 μ 10V radial elect

Semiconductors

IC1 CA3130E CMOS op amp
TR1 TIL81, BPY62, or similar
nnp photo-transistor
TR2 BC549
D1 TIL209 red panel l.e.d.
D2 BZY88C3V0 3 volt Zener diode

Resistors

R1 1k
R2,3 4k7 (2 off)
R4 39k
R5 680
All $\frac{1}{4}$ W carbon 5%

Potentiometer

VR1 47k 1in

Miscellaneous

Plastic case about 100 x 50 x 40mm. Printed circuit board (available from *EE PCB Service*, order code 8506-02). 20-way IDC socket or 2 x 12-way 0.156 inch edge connector. Control knob. 8 pin d.i.l. i.c. socket. Wire, solder, etc.

If the camera has an interchangeable lens it is probably best to remove it, but this is by no means essential, and the unit seems to function perfectly well with the lens in place, or even with a large format lens having a built-in (leaf type) shutter. Something that does seem to be important is to have the photocell as close to the shutter blades or curtains as possible. This helps to keep the ambient light received by the cell to a minimum. In practice there is usually no problem in opening the back of the camera and placing the photocell close to the shutter, although the exact set-up used will obviously depend on the type of camera concerned. However, with any camera great care not to damage the delicate shutter mechanism must be taken.

It is quite likely that the shutter speeds will show significant errors, but large errors are quite tolerable (a 10% error is considered to be a commendable level of accuracy). In particular, with a focal

plane shutter and speeds of about 1/500th to 1/2000th of a second the measured shutter times are likely to be significantly longer than the nominal speeds. One reason for this is simply that most cameras (even expensive types) do not seem to achieve their shortest shutter times. Another reason is that the photocell is not monitoring a single point behind the shutter, but is monitoring a small area. Due to the way in which a focal plane shutter operates this tends to slightly stretch the shutter speeds, but only to a noticeable extent on the fastest speeds. This effect can be minimised by either masking off the front end of the photocell to reduce the sensitive area, or by using about the lowest light level that will reliably trigger the interface. □

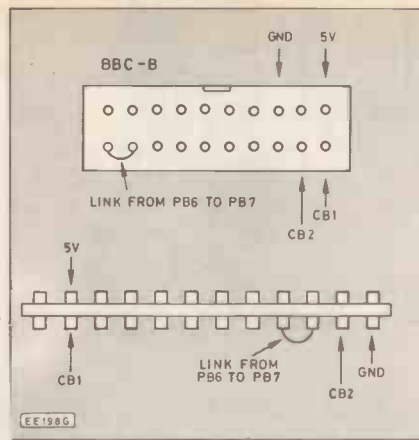


Fig. 5. BBC (upper) and VIC-20 (lower) connectors.

BBC

```

10 REM SHUTTER TIMER PROGRAM
20 REM J.W.P 7/84
30 *K.10 QLC:MLIST:M
40 DIM START:100
50 FOR I%=0 TO 2 STEP 2
60 P%=START
70 EOPT I%
80 LDA #16
90 .LOOP1
100 BIT &FE6D
110 BEQ LOOP1
120 LDA #255
130 STA &FE68
140 STA &FE69
150 STA &FE64
160 STA &FE65
170 .CLKOFF
180 .LOOP
190 LDA #0
200 BIT &FE6D
210 BEQ LOOP
220 LDA &FE68
230 STA &72
240 LDA &FE65
250 STA &71
260 LDA &FE64
270 STA &70
280 .OUT
290 RTS:J
300 NEXT I%
310 ?&FE6B=224
320 ?&FE6C=48
330 PROCscreen
340 REPEAT
350 ?&FE6D=24
360 CALLSTART
370 ?&72=?&72+(?&72-255)
380 reading=?&70+256*?&71+65536*?&72
390 milliseconds=(1677216-reading)/1000
400 PROCdouble(20,9," ")
410 Q%=?&102030A
420 PROCdouble(20,9,STR$(milliseconds))
430 fraction=INT(1000/milliseconds)
440 PROCdouble(23,13," ")
450 Q%=?&2030A
460 PROCdouble(23,13,STR$(fraction))
470 UNTIL FALSE
480 END
490 DEF PROCscreen
500 CLS
510 PROCdouble(12,3,"SHUTTER TIMER")
520 PROCdouble(20,13,"1/")
530 PRINTTAB(0,9);"Milliseconds"
540 PRINTTAB(0,13);"Nearest fraction"
550 ENDPROC
560 DEF PROCdouble(x,y,screen#)
570 PRINTTAB(x-1,y);CHR$(141);screen#
580 PRINTTAB(x-1,y+1);CHR$(141);screen#
590 ENDPROC

```



**YES!
HOME COMPUTERS
CAN DO SOMETHING
USEFUL**

VIC-20

```

5 REM VIC SHUTTER TIMER
10 FOR M=6144 TO 6187
20 READ V
30 POKE M,V
40 NEXT M
50 DATA 169,16,44,29,145,240,251,169,255,141,24,145,141,25,145,141,20
60 DATA 145,141,21,145,169,8,44,29,145,240,249,173,24,145,133,89,173,21,145,1
33
70 DATA 89,173,20,145,133,87,96
75 POKE 55,0:POKE 56,24
80 POKE 37147,224
90 POKE 37148,48
100 POKE 37149,24
110 SYS 6144
120 POKE 99,PEEK(89)+(PEEK(89)-255)
130 R=PEEK(87)+256*PEEK(88)+65535*PEEK(89)
140 MS=(1677216-R)/1000
150 PRINT MS;" MILLISECONDS."
160 GOTO 100

```

COMPUTER CLUB

by Thakery

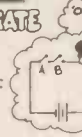
LOGIC GATES

The AND & OR gates form the basis of all other gates apart from the INVERTER.

It is not an overstatement to say that a computer is of **OVERWHELMING** complexity. However a fact of immense use is that the number of types of elements can be reduced to a handful. The elements or building blocks are called **LOGIC GATES**.

A very simple way of understanding these logic gates is to employ the same analogy as used to explain the Transistor — **THE SWITCH**.

AND-GATE



A	B	C
0	0	0
0	1	0
1	0	0
1	1	1

OR-GATE



A	B	C
0	0	0
0	1	1
1	0	1
1	1	1

Computer SCIENCE



Understanding how a computer works isn't the easiest thing in the world so let's start at the very beginning with our old friends 1 & 0

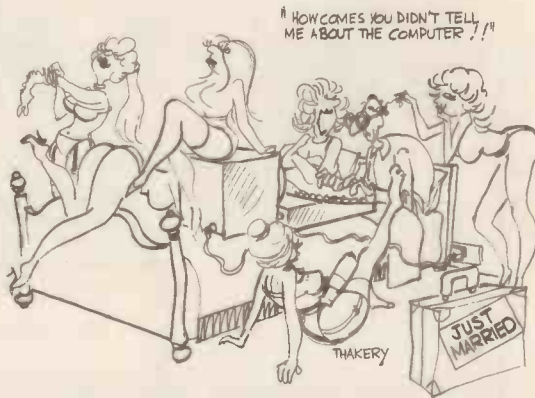
The computer has to store information before it can do anything else and it does this by using the simplest imaginable code which has only two characters 1 & 0.

So the simplest message must be one character $x=1$ or $x=0$ our message carries **ONLY INFORMATION** called a **BIT** and can take the value 1 or 0 and there is a formula to tell you the number of possible messages

$$N = \text{Number of possible messages} \\ x = \text{Number of bits} \quad \rightarrow \quad N = 2^x$$

Let $x = 3$ then $N = 2^3 = 8$ possible messages

These messages are 000, 001, 010, 011, 100, 101, 110, 111

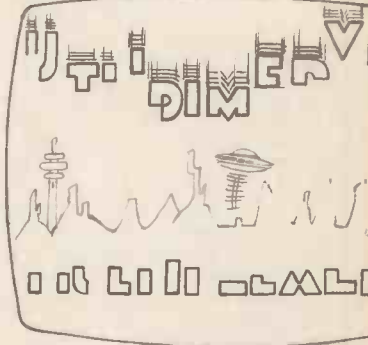


FUNDAMENTAL FACTS

The Capacity of a computer is expressed in terms of WORDS or BYTES.
 8K memory = 8×2^{10} = 8192 words or it may be quoted in Kilobytes or even Megabytes
 8 bits = 1 byte & 4 bytes can = 1 word.



WORD INVADER



Join the invading segments at the top of the screen to join the segments at the bottom of screen to form a computer related word.

HISTORY

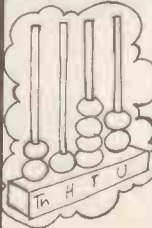


Early developments may be considered as starting with the first civilisations in Egypt. Their method of counting was very primitive — numbers were represented by **PEBBLES** arranged in heaps of ten.

the Abacus

We are all familiar with the 'Abacus' as being rows of beads sliding on metal rods but the ORIGINAL Abacus was a flat tray of sand. Marks were made in the sand with a thin sharp stick. (Abacus is taken from the Greek word 'Abax' meaning flat board)

The 'Abacus' as we know it is still used today and is considered by some to be faster than the modern computer for simple calculations.



One of the most important inventions in calculations was the '0'. The Hindus invented the '0' and would be represented by an empty rod on the 'Abacus'.

The Ancient people were now able to do calculations without apparatus.

JOHN NAPIER.

Publication of a work by John Napier in 1617 showed a method of multiplying and dividing by the use of 'RODS' or 'BONES' — combined with the use of original data tables marks one of the historical contributions to **COMPUTATION** by mechanical means.



PASCAL The Frenchman Blaise Pascal built a digital calculating machine in 1642 to assist with his father's business accounts.

The machine was able to perform addition during which **CARRYING**

AMBSH The BLACK SPOT is ambushed by a horde of numbers but there is an escape route! All you have to do is find 19 circles leading to the outside of the square and they must add up to exactly 48.



The software for "Seekers Of The Gold Seal" is continued from the last Computer Club below.

```

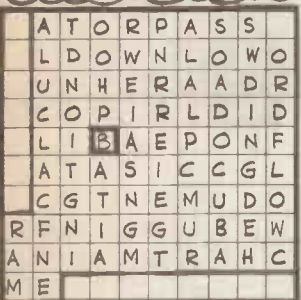
530DEFPROC ar W%=H*Q%:T%=W/DIV19:IFV%=2 V%=SGN(T%-N*/DIV19)+242
540 IFV%=1 T%=W-T%*19:W%=N*/DIV19:V%=SGN(N%-W*19-T%)+245
550PROC wr:ENDPROC
560DEFPROC tw(H%) VDU4,28,0,31,19,28:COLOUR131:CLS:COLOUR129:COLOURH%:ENDPROC
570DEFPROC shft(B#,J#) MOVEC,R%:PRINTB#:MOVEX%,Y%:PRINTJ#:C%=X%:R%=Y%:ENDPROC
580DEF FN s(k(X%,C%,F%,R%)) LOCAL Y%:T%=0
590 FOR X%=X% TO C% STEP 8:FOR Y%=F% TO R% STEP 4:V%=FN pt:IF V% T%=V%
600NEXT:NEXT:=T%
610DEFPROC se PROC hd
620 DIM N$(7),K$(4),C$(4),H$(7),A$(5),I$(7),T$(4),x%7,y%7,B%6,LX7,D%406,h%6:E%=
&B00:G%=%B20
630DATA Bloom.Towers.Bat.Crab.Arches.Zeen.Sarah.Flent.Hidden.Arowed.Sealed.S
lipped.Fallen!." Empty"
640 RESTORE 630:FOR S%=0 TO 7:READ N$(S%):NEXT:FOR P%=0 TO 5:READ A$(P%):NEXT
650DATA 1,5,9,15,21,17,25
660 PROC z:FOR P%=1 TO 7:READ G%?P%:NEXT
670FOR P%=1 TO 26:REPEAT Q%=38+RND(26):UNTIL G%?Q%>1:G%?Q%=1:E%?P%=Q%:NEXT
680 FOR S%=0 TO 4:T$="":W$=""
690REPEATFOR Q%=1 TO 3:IF Q%=2:T%=G%?RND(5) ELSE T%=FN a
700 IF Q%<>2 AND RND(5)<2 THEN 720
710 T$=T$+CHR$(E%?T%):W$=W$+CHR$(T%+96)
720 NEXT:UNTIL LENT$>2:K$(S%)=W$:C$(S%)=T$:NEXT
730 T#=C$(3)+C$(4):T$=T#+T$:S%=5:T%=LENT$:IFTX%>9 T%=9
740REPEAT H$(S%)=H$(S%)+MID$(T$,T%,1):S%=S%+1+(S%=7)*3:T%=T%-1:UNTIL T%=0
750 S%=3:FOR P%=0 TO 4:H$(S%)=C$(P%):S%=(S%+1)MOD 5:NEXT
760VDU23,252,0;0,124,61438;71,23,253,64,64,64,120,60540;196;23,254,0;0;0,16,56
,16,23,255,2,7,2,3,1;0;23,239,26,58,107,75,72,72,216;23,240,0;24,126,24,24,24,25
4
770VDU23,246,8,24,26417;49,24,8;23,245,0,17022;66,66,66,126;23,244,16,24,59020
;140,24,16;23,243,16,56,50796;16,16,124;23,242,0,17022;66,66,66,126;23,241,4220;
16,27846;56,16;
780VDU23,238,65535;65535;65535;65535;23,237,60,50022;56319;39321;153,23,236,36
,50022;66,231,189,153;23,235,126,90,65499;65535,48615;23,234,130,43690;65278;238
,238;23,233,65278;27756;254,238,238;
790FOR P%=0 TO 17:READ W%:J#=J#+CHR$W%:IF P%MOD 7=2 W%=0
800 B$=B#+CHR$W%:NEXT
810DATA 18,0,1,252,253,8,8,18,0,2,254,254,8,8,18,0,3,255,5,7,12,9,14
820FOR P%=1 TO 5:READ B%?P%:NEXT
830REPEAT T%=0:S%=0:G%=5500:PROC c
840REPEAT S%=S%+1:IFS%=5 Q%=2700
850REPEAT PROC c:Y%=1:FOR P%=0 TO S%-1
860 V%=ABS(x%?S%-x%?P%):N%=ABS(y%?S%-y%?P%):IF V%*V%+W%*W%<Q% Y%=0
870 NEXT:T%=T%+1:UNTIL Y%=1 OR T%=300:UNTIL S%=7 OR T%=300
880 IFTX%=300 UNTIL FALSE ELSE UNTIL TRUE
890REPEAT PRINT TAB(0,20) "Mappings in Progress":PROC l(404)
900 PROC z:G%?0=129:G%?1=153:G%?2=231:G%?3=255:I%=10:M%=40:N%=9:S%=0
910 REPEAT I$(S%)=I%:IFS%=5 M%=32:N%=5
920 X%=27+RND(3):Y%=19+RND(4):PROC in(M%):PROC in(N%):PROC in(X%)
930 T%=I%:I%=I%+1:W%=0:REPEAT W%=W%+RND(54)
940 PROC in((X%-RND(7))*COSRADW%):PROC in(Y%*SINRADW%)
950UNTIL W%>309:D%?T%=I%-T%:PROC in(X%):PROC in(0)
960 FOR P%=0 TO 4:REPEAT:T%=RND(64):UNTIL G%?(T%+3)>1:G%?(T%+3)=1
970 FOR Q%=0 TO 2:W%=G%?(T%MOD 4):PROC in(W%):T%=T%/DIV 4:NEXT:NEXT:S%=S%+1:UNTIL S%=
B
980IF I%>380 UNTIL FALSE ELSE UNTIL TRUE
990 PROC st(0):C%=8:R%=128:a%=1:PROC ct(30):ENDPROC
1000DEFPROC cz FOR P%=0 TO 246:G%?P%=255:NEXT:ENDPROC
1010DEF FN a LOCAL Q%:REPEAT T%=RND(25):W%=1:FOR G%=2 TO 7:IFT%=G%?Q% W%=0
1020 NEXT:UNTIL W%=1:=T%
1030DEFPROC qt(T%) PROC cr(0):*FX15.1
1040 IFTX%=30 PROC l(96)
1050 PRINTAB(1,T%) "press bar to play";:K%=GET:ENDPROC
1060DEFPROC c x%?S%=28+RND(203):v%?S%=55+RND(163):ENDPROC
1070DEFPROC in(V%) D%?I%=ABS V%-128*(V%<0):I%=I%+1:ENDPROC
1080DEFPROC hd VDU22,2:PROC cr(0):COLOUR129:CLS:COLOUR3:PRINTTAB(1,2) "Valley of
the Seal":PROC l(912):ENDPROC
1090DEFPROC tab LOCAL S%,Y%:PROC hd
1100 COLOUR132:COLOUR2:PRINTTAB(1,5) "Key TEMPLE Find":Y%=6:FOR S%=0 TO 4:Y%=Y
%+2
1110 PRINTTAB(1,Y%) C$(S%) TAB(10-LENN$(S%)/2,Y%) N$(S%):PROC t(19):NEXT
1120 PROC l(448):COLOUR128:COLOUR6:PRINTTAB(2,19) "TOMBS Find":Y%=22:FOR S%
=5 TO 7
1130 PRINTTAB(2,Y%) N$(S%):PROC t(18):Y%=Y%+2:NEXT:IFA%=2 ENDPROC ELSE PROC qt(30)
1140DEFPROC v1
1150 PROC v19(0,1):PROC v19(1,2):PROC v19(2,4):FOR P%=4 TO 15:PROC v19(F%,1):NEXT
1160 COLOUR128:CLG:F%=0:FOR S%=0 TO 7:IF L%?S% PROC brd(S%+4,1):F%=F%+1
1170 NEXT:VDU24,8;128;1271;1023;:K%=8:O%=104:X%=C%:Y%=R%:PROC shft(B#,J#):ENDPROC
C

```

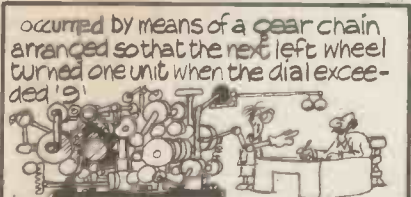
Continued on page 345

LINK-UP

Link-up the letters to form a chain of words related to computing. Start at (A).



WORD	CLUE
1 B _ _ C	Beginners...
2 _ E _ _ _ _ L	Disk drive is one
3 _ _ _ _ _ TATION	may include flowchart
4 D _ _ _ _ D _ _ G	Large to small
5 DE _ _ _ _ _	...not if you're perfect
6 C _ _ _ _ TOR	Hand held
7 PA _ _ _ _ _	...for access
8 FL _ _ _ CH _ _ _	Shows sequence
9 MA _ _ _ F _ _ _	LARGE.



Actually, this machine doesn't count for you but it does slap your hand if you get it wrong.

LEIBNIZ In 1694 the German mathematician G.W. Leibniz completed the stepped Reckoner that could COUNT, MULTIPLY, DIVIDE and extract SQUARE ROOTS.

The major contribution was how he showed the advantages of binary over the decimal system for mechanical computers. I wonder if he realized that the binary system would be used today.

CARAVAN PSU

T. R. de Vaux Balbirnie

ALTHOUGH portable equipment is useful to take on a caravanning holiday, it proves expensive on batteries. Assuming the caravan has a 12-volt system supplied by either an independent car battery or through a hook-up lead from the towing vehicle, items such as radios, cassette recorders, games and keyboard musical instruments may be operated at practically no cost.

This project accepts a nominal 12V input and supplies a regulated 6V, 7.5V or 9V output at up to 300mA. This suits a wide variety of battery powered equipment. Precision resistors are used to preset the output voltages so it is not necessary to have a volt meter available at the testing stage.

Special features of this circuit are switched polarity reversal of the output leads and the ability to make input connections either way to the supply. This is useful where the caravan is fitted with non-polarised sockets, or where battery clips are to be used.

Examine each piece of equipment to be powered by the unit. Check that it requires one of the above input voltages, and that it is fitted with a d.c. power-in socket. Such sockets are usually used for connecting mains operated power supplies. Although some items are fitted with 2.1mm or 2.5mm connectors, or 2.5mm or 3.5mm jack sockets, DIN or other types of socket may be found. If no such d.c. input socket is fitted it will be necessary to make direct connections in the battery compartment and the feasibility of this should be investigated before proceeding.

CIRCUIT DESCRIPTION

The circuit for the *Caravan Power Supply* unit is shown in Fig. 1. With S1 on, current flows through FS1 to the bridge rectifier REC1. Whatever the polarity of the input connections, the bridge rectifier will direct current correctly to the rest of the circuit—that is, with the positive and negative as shown. D1, a light emitting diode with current limiting resistor R1 shows that the circuit is switched on. IC1 is a voltage regulator which gives a steady output voltage whose value depends on R2 in conjunction with either R3 (9V), R3+R4 (7.5V) or R3 + R4 + R5 (for 6V) as selected by the 3-position switch S2. S3 sets the out-

put polarity. When switched the opposite way to that indicated in the diagram the output leads will assume opposite polarity.

VOLTAGES

The output voltages are preset to approximately 90–95% of their nominal values. This allows for the precision resistors R2, R3, R4 and R5 being at the extremes of their tolerance, and for the fact that even a new battery does not produce its nominal voltage on account of its internal resistance. In the prototype, the voltages were 8.2V, 7.1V and 5.7V for 9V, 7.5V and 6V settings respectively. Tests with several pieces of portable equipment proved these to be entirely satisfactory. It will be noted that the *higher* the resistance between the adjustment and output pins of IC1, the *lower* will be the output voltage. This particular arrangement of R3, R4 and R5 was chosen so that the circuit defaults to a *low* output voltage in the event of S2 failing to make proper contact or wires detaching from its terminals.

Operates battery-powered equipment from a 12V supply



CONSTRUCTION

Since most of the circuitry is already inside IC1, construction is made very straightforward. Due to variations in size in components of the same specification, readers are advised to check their layout before buying the case. The prototype was made to take up as little space as possible but some readers will wish to use a larger box to give more working room.

IC1 becomes warm in use so must be mounted on an aluminium panel which acts as a heat sink. Begin by cutting this part from thin aluminium sheet to fit tightly in the runners of the case. Its width should be 4mm less than the height of the box to allow connecting wires to pass over the top. Cut short the centre connection and bend the tab of IC1 so that this component will lie flat on the panel. Drill a small hole and attach it using a small fixing. Note the solder tag which is secured under the nut. Cut the tag panel to fit the runners of the case tightly—there must be at least 10 tags available in two rows. Refer to Fig. 2, and solder the components in position noting the polarity of C1. It is essential to use only high quality close-tolerance resistors for R2–R5 as specified in the components list. Neglecting this could possibly result in output voltages which are too high. Prepare the case by making holes for the switches, i.e.d. indicator, fuse holder and the input and output leads. Mount the off-board components noting that it helps to place some packing under S2 and S3 to level the slides with the face of the case. This will make accidental operation less likely. Refer to Fig. 2 and complete all wiring. Take care over the connections to S2 and S3 so that the output voltages and polarity are predictable. Although S2 is a 4-pole switch only one pole is used in this circuit. Note that the connections between the adjustment pin of IC1 and R2, and between R2 and the negative supply line demand special care. **WARNING: If any of these should become detached, the output voltage will rise to the full 12V of the supply with possible damage to external equipment.**

Tape a piece of thin cardboard to the back of the tagboard to provide insulation. Insulate any other exposed connections where they could short-circuit to the metalwork. Use 3A 2-core mains wire for the input and output leads and tie string tightly around each on the inside of the

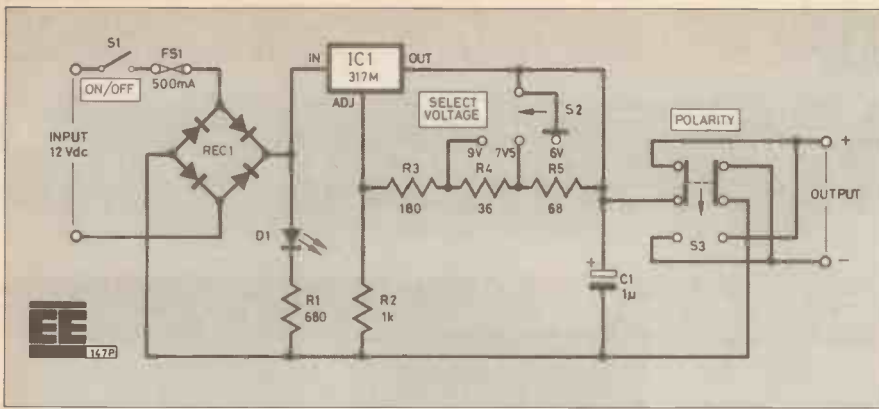


Fig. 1. Circuit diagram.

case to provide strain relief. Slit a piece of scrap insulation along its length and use it to protect the top edge of the aluminium panel. Fit appropriate connectors to the input and output leads. In the prototype, a 4-way Universal Connector was used for the output.

TESTING

Although not essential, some readers may wish to use a multimeter to check the polarity and output voltages. A simpler test can be made with a small 12V bulb. Connect this to the output lead, adjust S2 to 6V, connect the supply and switch on. The l.e.d. should light and the test bulb glow dimly. At 7.5V and 9V settings it should increase in brightness but never become as bright as it does when connected directly to the 12V supply. If there is any doubt about the polarity of the output wires, check by connecting a diode in series with the test bulb (Fig. 3). With the diode connected as shown the test bulb should light.

It only remains to label the switches and to check that they cannot be operated accidentally. Where young children are present it would be a wise precaution to tape over S2 and S3 since a higher voltage than that required, or switching to the wrong polarity could damage equipment.

USING THE UNIT

Before connecting a particular piece of equipment to the power supply, determine the operating voltage and polarity. Do not use trial and error. Always switch off S1 when the unit is not actually being used since it draws a small current (about 20mA) even with nothing connected to the output. Switch off also before changing the settings of S2 or S3. Note that it is normal for the case to become slightly warm in operation. □

Fig. 2. Tag-board layout and wiring.

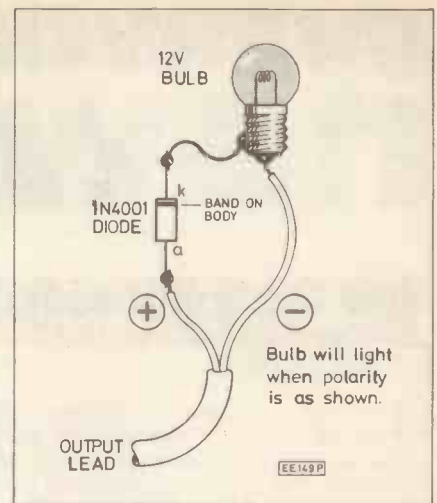
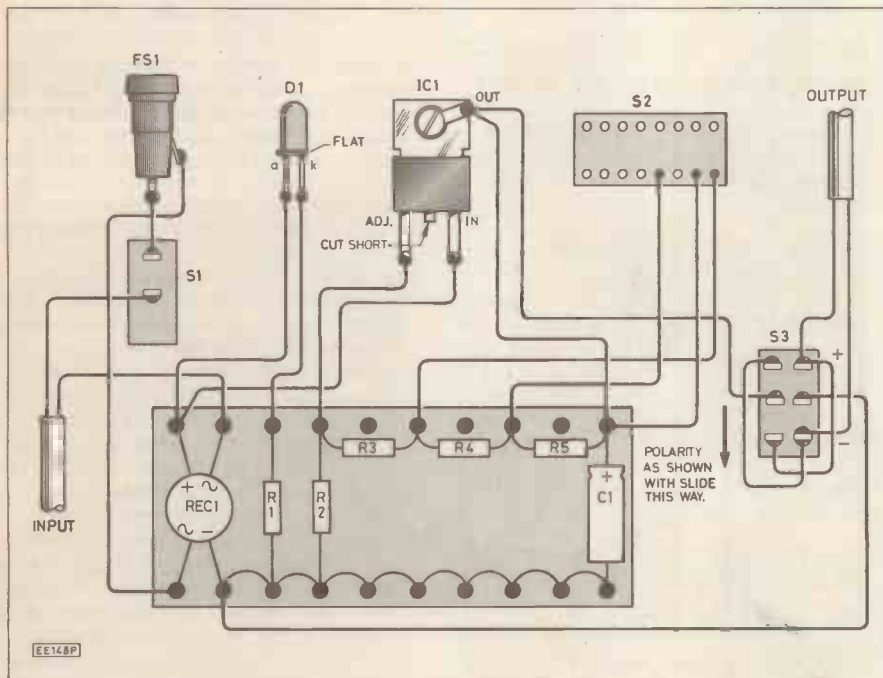


Fig. 3. Polarity tester.

COMPONENTS

See
**Shop
Talk**
page 312

Resistors

R1	680
R2	1k
R3	180
R4	36
R5	68

All resistors 0.4W metal film \pm 1% (R1 may be $\frac{1}{4}$ W carbon \pm 5%)

Capacitors

C1	1µ 15V electrolytic
----	---------------------

Semiconductors

IC1	317M voltage regulator
REC1	W005 50V 1A bridge rectifier
D1	TIL220 5mm red l.e.d. with panel mounting clip

Miscellaneous

S1	miniature SPST rocker switch
S2	miniature 4P3W slide switch (Maplins 4-pole slide switch)
S3	miniature DPDT slide switch
FS1	500mA fuse and fuseholder to suit

Sub-miniature tag board; Plastic box (see text); 3A mains type twin wire; Aluminium panel; Universal power-in connector, plugs and sockets for input and output leads as required; Fixings; Solder tag.

Approx. cost
Guidance only

£8.00

New Laboratories for Graduates

OPENING the new Advanced Telecommunications Laboratories in the Department of Electrical and Electronic Engineering at Queen Mary College, University of London, Dr John Alvey CB FEng, Engineer-in-Chief British Telecom offered his congratulations to the Principal, Sir James Menter, FRS, on the College initiative in setting up the laboratories.

In his speech Dr Alvey referred to the increasing shortfall in the number of graduates being produced to meet the needs of the Electronics and Telecommunications Industries and spoke of the facilities at Queen Mary College as being just the sort required to provide graduates with the skills they will need to help British industry establish a leading role in the many aspects of Information Technology. These facilities are probably unique in the UK and establish the Department of Electrical and Electronic Engineering as one of the leading departments in the country.

He particularly appreciated the combination of technologies provided for undergraduates within the Department. For instance, the VLSI Design Laboratory which gives students the opportunity to design on silicon and see some of their integrated circuits made and tested. Also the provision of a range of real telecommunications systems throughout the laboratories to enable undergraduate students to experience the application of the principles they have learnt on real systems.



Dr Alvey speaking to Mr Lomer, Technical Director Racal Electronics, over the digital telephone system built by a third-year project student.

Welcoming the guests, the Head of Department, Prof. Peter Clarricoats, FEng, explained that whilst the visit was primarily concerned with undergraduate activities, the Department played a leading role in research. The current value of grants held by the Department is almost one million pounds.

COMPETITION FOR BIRDBRAINS

The advance of migrant birds across the British Isles as shown on BBC Telesoftware's high resolution maps.

Wheatear
27th March 1985

Cornwall
Devon
Somerset
Dorset
Avon
Wiltshire
Isle of Wight
Hampshire
Berkshire
H. Sussex
E. Sussex
Surrey
Kent
London
Essex
Hertfordshire
Bedfordshire



YOUNG computer enthusiasts have a chance to win a microcomputer and help scientific research in a new competition launched by BBC CEEFAX and the Young Ornithologists' Club (YOC) of the Royal Society for the Protection of Birds.

The latest data on the spring migration of birds arriving in Britain is being collected by members of the YOC, who are reporting the first sightings of spring migrants throughout the country. BBC CEEFAX is displaying maps and information to show how birds are travelling across the country, on page 295 on BBC 2. More detailed information is also being transmitted through the BBC CEEFAX Telesoftware Service, which will be updated weekly until the end of this month (May).

The competition winner will be the person who makes the most imaginative and innovative use of the data transmitted by Telesoftware. The programs based on the Telesoftware data will be judged in September, and the winner will receive a BBC Microcomputer; three runners-up will receive Electron Microcomputers, and there will be consolation prizes of binoculars.

ALL AT SEA

Questions and answers will be bouncing back and forth across the Atlantic by satellite as The Times Network for Schools puts UK schools in direct touch with the *Operation Raleigh* flagship, sailing off the coast of Panama.

The *Sir Walter Raleigh* is at present in the Caribbean, acting as a base for extensive community work and diving exploration and in the cause of conservation. TTNS's representative Lakh Singh, has just joined the ship and will be sending twice-weekly bulletins to the schools network via the satellite link.

Schools in the UK will be able to ask Lakh specific questions on projects they are undertaking and he will reply via the Network. A team of scientists will also be using the *Sir Walter Raleigh* as a base.

This will provide schools with immediate access to new research information and the opportunity to question scientists as they carry out their work in the field.

Oil and gas production platforms in the North Sea will have their own satellite communications system next year. The system will be called SatStream Offshore and contracts for the provision of a permanent service to a floating production platform in June '86 have been signed by British Telecom and the North Sea Sun Oil Company.

A new satellite earth station near Aberdeen, using an 8m (26ft) diameter dish, is to be built by British Telecom.

This earth station will work to the European Communications Satellite, *EUTELSAT 1-F2*. It will offer satellite facilities to platforms in any part of the UK's offshore exploration areas.

Philips is to supply 115 million Guilders worth of colour television sets to the People's Republic of China. The contract was signed by the Consumer Electronics Division and a Chinese Purchasing Delegation.

AGREEMENT ON EDUCATION

THE City and Guilds of London Institute (CGLI) and the Scottish Vocational Education Council (SCOTVEC) have announced that they have reached agreement on the terms of a formal Memorandum of Agreement covering the establishment of equivalences between particular certificates awarded by the CGLI and particular modular programmes of study, leading to the award of the SCOTVEC National Certificate.

Announcing the agreement Mr. H. M. Neal, Chairman of CGLI, and Dr Peter Clarke, Chairman of SCOTVEC, made the following observations:

"The agreement provides the framework of procedures within which individual equivalences can be established and detailed work has now begun on taking these matters forward.

"The new agreement has been reached after careful and detailed discussions. We believe it will be mutually advantageous to both parties in assisting the establishment of the new SCOTVEC National Certificate and in making a major contribution towards the success of the 16-plus Development Programme being implemented in Scotland."

OFFSHORE DEAL

Thorn EMI Electronics has been awarded a contract by Humphreys and Glasgow on behalf of Britoil, to supply a sophisticated environmental monitoring system for the Britoil Clyde field.

The microcomputer-based equipment will display all the current weather information on a number of VDUs situated in various parts of the platform. Displays can be modified to include special customer requirements or any new legislation that might arise; further sensors can also be added if required.

The monitoring system, which can be linked to a telemetry facility and interrogated at intervals, can also be connected to a tape recorder or other data logging system to provide a permanent record. Apart from the sensors it is claimed that the system requires no maintenance.

MICRO TRENDS

Barely two thirds of UK micro suppliers have been in the market for more than a year and nearly a third are likely to withdraw before the year is out. This is one of the more startling conclusions which can be drawn from the third NCC Microsystems Centre's survey of the UK micro-market.

This survey is based on the files used to support the NCC Microsystems Directories of Hardware, Software and Training. These files are updated daily as new products are identified and old ones withdrawn, or suppliers go out of business and no-one is willing to take over the product.

Of the 629 hardware suppliers known to be active in the UK market as at March 1st, only 386 (61 per cent) had been identified as at September 1 (when the first NCC-computing survey was drawn up). However, of those active in September, 65 (14 per cent) have since withdrawn—implying an annual rate of nearly 30 per cent. Part of the reason for the rate of entry is that over two-thirds of the products on sale are imported and many new suppliers are merely agents for American organisations (over half of all systems) or Japanese (who dominate the market for most types of peripheral).

Under the terms of a deal worth £½M, Microvitec will manufacture switched mode power supplies and colour monitors for the RM Nimbus computer which was launched recently by Research Machines.

A graphics utility package for the Amstrad CPC464 is the latest software release from Kuma.

Entitled "Artwork" (£9.95), it enables the user to draw pictures and includes the facility for circle, ellipse, line and box drawing

and allows full use of available screen modes and colours.

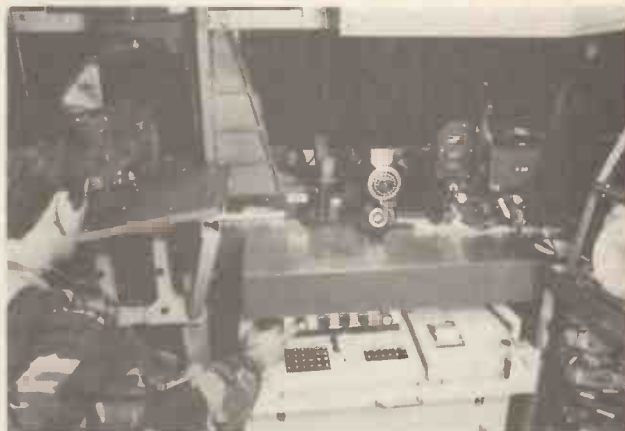
Options for fast colour fill and complete screen scroll in all directions are included, plus the ability to load and save completed pictures to either tape or disc.

MOBILE REPAIR SERVICE

THORN EMI Electronics have recently received an £18M contract from the British Army for the supply of a number of its general purpose thermal imager repair facilities (GPTIRF).

The GPTIRF will allow the British Army to test and repair complex thermal imaging equipment in the field and in base workshops rather than returning the equipment to civilian contractors.

The contract, which was secured by the company's Electro Optics Division, is the third major contract for thermal imagers and associated equipments to be awarded by the MoD to THORN EMI Electronics in the last eighteen months.



Pictured here (top) is an interior view of the GPTIRF container body, showing a thermal imager being tested on the optical test bench, and (bottom) an exterior view of the vehicle with a towed generator attached.

BOOK REVIEWS



MICROCOMPUTERS AND THEIR INTERFACING

Author R. C. Holland
Price £6.95 Flexicover, £15 Hardcover
Size 210 x 147mm. 193 pages
Publisher Pergamon Press
ISBN 0 08 031125 3 (Pbk.)

THERE is no shortage of books on this subject, but *Microcomputers and their Interfacing* is not an unwelcome addition.

When choosing a book on this topic, an important criterion (apart from cost) is likely to be the particular microprocessor that the author has used for explanation and examples. For although the various different 8-bit microprocessors have much in common, their differences are particularly evident when it comes to interfacing, and real-time control applications using assembly-language. Mr Holland uses chiefly the 8085 and the related Z80 chip for his examples, and this is a fair choice, as they are the most popular 8-bit microprocessors for industrial use and personal computers, respectively.

The opening chapters are given over to fundamentals—binary and hexadecimal arithmetic, logic, CPU architecture and memory organisation. This approach is common, but ought by now to be assumed prior knowledge, especially for a book concerned primarily with interfacing, rather than the fundamentals of microprocessor design. It would have been better to have devoted this space to the hardware of standard programmable and non-programmable I/O devices, establishing the distinction between memory-mapped and isolated I/O.

Following his introductory chapters, Mr Holland covers, in a very general way, standard methods for interfacing microprocessors to the outside world, using both digital and analog techniques. This is well-presented, and a useful and comprehensive summary. The section on 'Special Peripherals' will be of widespread interest, as floppy discs, keyboards, and VDUs are the media used by the majority of people for communicating with their CPUs. The hardware is shown in block-diagram form, which is appropriate to the approach taken in the text—widely applicable principles rather than specific instances—and makes for clarity.

The chapter on high- and low-level languages is ill-considered; it is probably impenetrable to those not already familiar with the use of different languages, and different assemblers and compilers, and of little value to those who are.

For the engineer who wants to know how to use his microprocessor to monitor and control external events, the final chapters are those of real interest: the 8085, Z80, and 9980 each have their own section. This is very useful, and although the manufacturers' own literature would still need to be consulted in order to implement a real system, their data sheets can be cursory or confusing to the novice. Mr Holland provides a beneficial service in explaining the function of control and timer registers, publishing full instruction sets, and giving examples. Also valuable are the explanations of the user ports on the Apple II and BBC computers, again with examples.

This book will no doubt find its way into college libraries and onto the bookshelves of many students and engineers. But as Mr Holland himself indicates by his (excellent) bibliography, he is up against stiff competition.

D. A. B.

EXPERIMENTS WITH YOUR COMPUTER

Author Helen Davies
Price £4.50 hardback, £2.25 paperback
Size 240 x 170mm. 48 pages
Publisher Usborne Publishing Ltd
ISBN 0 86020 791 9

How can a computer be educationally useful? One approach is to make use of the speed and graphics capabilities of the computer to *model* real situations, using well-established mathematical modelling techniques. These techniques can be used for the optimisation of transportation systems, for example, or for investigations into rocket flight, population growth, or the national economy.

The reason that the computer is invaluable for such investigations is two-fold. Realistic models require hundreds (or thousands) of recalculations as parameters are varied in order to give a useful result; and the results are best displayed graphically. Both these tasks are ideally suited to a computer's capabilities. Once the analytical and the graphics programs are stored, parameters can be changed, and a new display obtained, saving hours of time and eliminating mistakes in recalculation.

A related area in which a computer is invaluable is the analysis of data. Are events positively or inversely correlated? At what level are test results statistically significant? What is an "average" result? The problem with all this is that the mathematics involved is not trivial, and the programs can be tricky to write properly. The solution is *Experiments With Your Computer*. This splendid book has listings for investigations into the effects of gravity on different planets, simple transportation problems, and an excellent "Running an Airline" model. The calculations are (rightly) presented in the body of the programs without comment. This means that the situations can be investigated immediately, while those who have the inclination can follow up the mathematics if or when they wish.

There are also some elementary but useful ideas for using thermistors and light-dependent resistors to directly monitor real-world conditions. The hardware involved here is minimal, and the interfacing instructions are clear and unfluffy.

This is the way books for computer users ought to be written. No specialist prior knowledge is necessary; the machine's capabilities are properly exploited to allow real-life investigations. For young children, the presentation is so good that it will be possible to work from the text with minimal supervision; for older children (and adults) it is an invaluable springboard for further development of ideas.

D.A.B.

MICROMANIA

Author Charles Platt
Price £7.95 Hardback
Size 235 x 142mm. 184 Pages
Publisher Victor Gollancz
ISBN 0 575 03419 X

THIS is an excellent book, because the author fully achieves his purpose, namely, to remove the mystique surrounding the Home Computer. A "Micromaniac" himself, he skilfully pilots us through the maze of Hardware, Software and Buzz Words. He sums up the good points and the bad points of most of the well known makes of Home Computers and he pulls no punches. He even evaluates the many and varied Computer Magazines. It is not written for the expert, but for those who don't know a "Bit" from a "Byte" or a "Dot" from a "Daisy Wheel", and although after reading it, you won't be an expert on "Boolean Algebra", you will at least know how the Binary Code works. It is a "Must" for beginners, and they should not venture within ten miles of a computer shop before reading it.

Illustrated with an abundance of helpful diagrams and amusing cartoons, the author adds just that touch of humour which makes the book a pleasure to read.

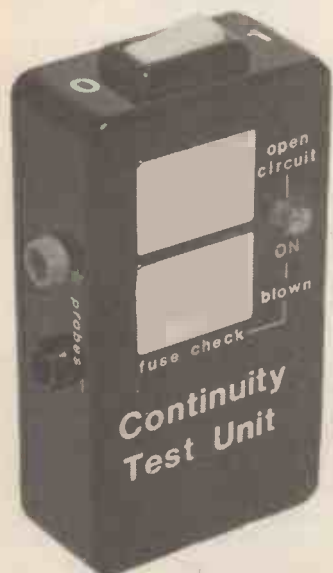
A.S.

JULY FEATURES... AMSTRAD I/O



The Amstrad CPC464 computer has proved an extremely popular machine, although it lacks a proper user port. This project provides just such a port, at a reasonable cost and with a minimum of hardware.

CONTINUITY TESTER



This unit incorporates a buzzer so that short circuits can be easily and quickly detected. Diodes and the majority of electrolytic capacitors can also be checked.

TRAIN SIGNAL CONTROL



All model train enthusiasts will want to build this signal controller. The red signal stops a train from entering a zone in which there is already another train. When the line is clear, the signal changes to green and the train can move.

Actually doing it!

Spread out before you are the following items: One magazine constructional article, a selection of small tools, a soldering iron and reel of solder, a p.c.b. and packets of electronic components. What do you do next? If you are a beginner, the answer is simple. Read this new regular column.

**EVERYDAY
ELECTRONICS
and computer PROJECTS**

JULY 1985 ISSUE ON SALE FRIDAY, JUNE 21

DOWN TO EARTH

BY GEORGE HYLTON



A TRANSISTOR is a cleverly-processed bit of semiconductor material. To make use of it, the engineer needs to know how it behaves electrically. This entails inventing an equivalent circuit, in which the electrical activity of the device is represented by an assembly of familiar elements.

ACTIVE DEVICES

Transistors are active devices. This means that in order to describe how they work, any circuit which serves as a model must contain a generator of some kind. The rest can then be made up of passive elements: resistors, capacitors, etc.

Note that I'm talking about a model for what goes on *inside* the transistor, not a complete circuit with external elements such as collector loads and base bias resistances. That comes later.

There are two kinds of models. One is concerned with the d.c. conditions in which the transistor operates. The other kind assumes that the d.c. operating conditions are satisfactory and deals only with small a.c. signals. Small means not so large that the signals interfere with the d.c. conditions.

Assuming that the transistor is operating in the common-emitter configuration (i.e. with the emitter earthed or common to both input and output) the simplest a.c. equivalent circuit is shown in Fig. 1. Here the input impedance of the device is modelled by resistance R. When an input current flows (between base, b, and emitter e), this causes a corresponding collector current to flow. Because the device amplifies, this collector current is greater than the base current. The amount by which it is greater is called the current amplification factor. It is typically 100, but very variable. For small (a.c.) signals, this number is given the symbol *h_{fe}*.

If the polarity of the signal is such that current flows *into* the base, then amplified current flows *into* the collector. Of course, a.c. signals alternate between inwards and outwards, but for convenience it is usual to consider only one polarity at a time.

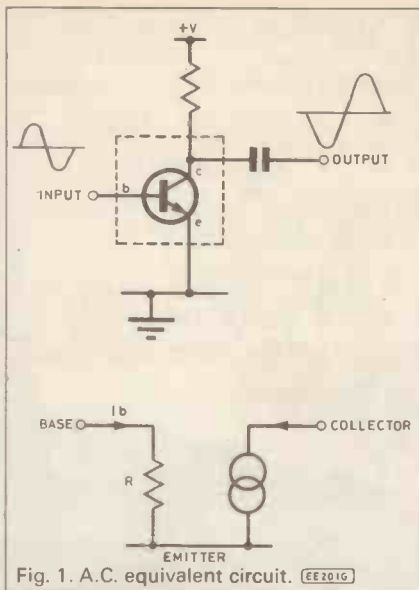


Fig. 1. A.C. equivalent circuit. EE201G

MICROPHONE AMPLIFIER

Now let's use the model in a practical situation and see (Fig. 2) what happens. Suppose we have a microphone whose internal impedance is 500Ω and which produces an audio signal of 3mV. We connect this to a transistor whose input resistance R is 2.5k. (Never mind how we know this, for now.) The transistor is given a collector load of 10k, so the current generator is driving current through 10k. If *h_{fe}*=100 this current is 100 times the base current.

What's the base current? By inspecting Fig. 2 it is clear that the microphone's 3mV must drive current through its own impedance (500Ω) and R in series. We have 3mV and 3k. This gives a base current, *i_b*, of 1μA. The collector current is therefore 100μA (0.1mA). In flowing through the 10k load this sets up a voltage of 1V (1000mV). The voltage gain, overall, is 1000/3 = 333.

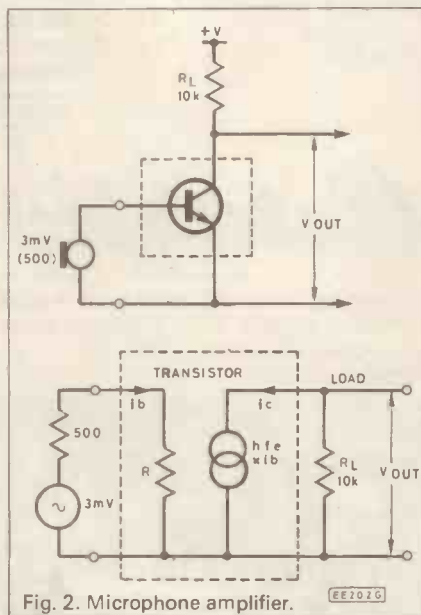


Fig. 2. Microphone amplifier. EE202G

CLOSER TO REALITY

Our model has told us the voltage gain, but of course it is not a full working circuit, with d.c. supplies, input and output coupling capacitors and so on. Never mind. It has in fact already given a vital pointer to the d.c. conditions needed. If the a.c. collector current is 100μA then in order that the a.c. will not interfere with the d.c., the d.c. collector current must be more than 100μA. How much more depends on commonsense considerations.

If the microphone gives out 3mV on an average sound, what will it give on a loud one? Maybe 10 times as much. So to handle the loudest sounds the collector current must be at least ten times 100μA, i.e. 1000μA or 1mA. We have selected one d.c. operating condition already!

INPUT IMPEDANCE

The input impedance of a transistor can be estimated. At audio frequencies, and with small d.c. collector currents, the common-emitter input resistance is approximately:

$$\left(\frac{h_{fe} \times 25}{I_c \text{ (mA)}} \right) \text{ ohms.}$$

In our case we have selected *I_c* = 1mA, and our transistor's *h_{fe}* = 100. So the input resistance is roughly 25 × 100/1 = 2500Ω, or 2.5k, which is the value actually given.

All very well, but *h_{fe}* is a very variable quantity, even among nominally identical transistors. What if our particular specimen had *h_{fe}* = 200?

Let's see. The input resistance would then be 25 × 200/1 = 5000Ω (5k). With the microphone's 500Ω, the 3mV signal now sees a total of 5.5k. The base current reduces to 3/5.5μA = 0.545μA. This is now amplified by *h_{fe}* = 200, giving *i_c* = 109μA. This is 9 per cent more than before so the gain and output increase by a mere 9 per cent even though *h_{fe}* has doubled.

Inspection of the diagrams shows why. Since the microphone impedance is small compared with R, in effect R controls the input current. As *h_{fe}* increases, R also increases, reducing the input current in such a way as to keep the output current fairly constant.

SUPPLY VOLTAGE

With a d.c. collector load of 10k and current of 1mA the load drops 10V. The collector voltage must be more than this: it must be able to deliver the required output voltage. Suppose the amplifier drives a mixer whose input impedance is 10k. The amplifier "sees" 5k—the load resistance and mixer impedance in parallel. With a "loudest sound" microphone output, the output voltage into 5k (*R_L* and the mixer) is 5V. So the d.c. supply must be at least 15V. If the microphone output is in r.m.s. volts rather than peak volts the peak output will be much more than 5V, so the supply voltage must be increased further. A fairly common voltage is 20V: you can see why.

SAVE EVEN MORE!

THE EVERYDAY ELECTRONICS FILM SERVICE

So many satisfied customers have been delighted with this award-winning film service that the economies made are now being passed on to you in the form of substantial price reductions. You can now save up to 75p on last year's prices. For 36 successful Superprints you pay only £2.95 inc. VAT. Compare this with last year's £3.70 and with the prices in the shops. Postage and packing is 30p extra as before. Here is the new price range—and remember, Superprints give you 30 per cent more picture area than standard prints at no extra charge.

No. of Superprints	Price (inc. VAT)	
12-15	£1.65	} PLUS P/P 30p extra
24	£2.20	
36	£2.95	

RELIABILITY AND QUALITY

All our colour prints are made on Kodak Luxury Lustre paper. Prints have square corners and are borderless to give you maximum picture area. All prints are checked at every processing stage for accurate colour reproduction in a laboratory which is the winner of five recent successive Kodak Gold Awards for Quality. No other processing laboratory has been able to match this record. After allowing for postal and peak-period delays, you should normally expect your prints after seven to ten days.

ALL YOU HAVE TO DO

Send any make of colour print film together with your cheque or postal order inside the Freepost envelope enclosed with this issue. Or fill in the coupon below and send together with your film and remittance in a strong envelope to: Everyday Electronics Film Service, FREEPOST, Watford WD1 8FP. Half-frame films are welcome, and these are charged at double the full-frame price.

PERSONALISED SERVICE

Readers know we care for their prints. If you have any queries, contact our service's ten-line switchboard: (01) 953 9911.



SPECIAL FILM OFFER

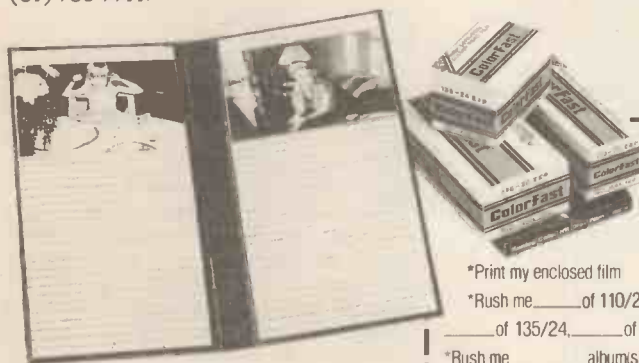
Films from the high-resolution emulsion 'ColorFast' range are available to all readers at highly competitive prices. And when you order three, you get another FREE.

110/24, 126/24, 135/24 £1.40 each OR 4 for price of 3—£4.20. Konica disc £1.60 OR 4 for price of 3—£4.80. 135/36 £1.80 OR 4 for price of 3—£5.40.

SPECIAL ALBUM OFFER

An attractive flip-type album, padded in black with gold embossing and holding 100 Supersize prints (in the shops £5.75) is offered to readers for only £3.99 inc. p&p.

All prices are correct at the time of going to press and are for UK readers only.



Approx. sizes of Superprints:
6" x 4" (35mm) 5 1/4" x 4" (110,
Disc and 135 Half Frame) 4" x 4" (126).

USE THIS LABEL IF YOU HAVE NO ENVELOPE, OR PASS TO A FRIEND.

To: Everyday Electronics Film Service, FREEPOST, Watford WD1 8FP.

From: Everyday Electronics Film Service,
FREEPOST, Watford WD1 8FP.

Name _____

Address _____

*Print my enclosed film
*Rush me _____ of 110/24, _____ of 126/24,
_____ of 135/24, _____ of 135/36, _____ of Disc/15 film _____

*Rush me _____ album(s)
for which I enclose cheque/PO payable to Everyday Electronics Film Service. £ _____

EES _____

Post Code _____

UNLESS YOU MAKE PRIOR ARRANGEMENTS WITH US we will only accept your film on the strict understanding that our liability in the case of loss or damage will not exceed the replacement cost of the unexposed film and the processing charges paid. NO CREDITS GIVEN FOR FAILURE PRINTS. This offer is limited to the U.K. Choice of materials at our discretion. The Everyday Electronics Film Service is operated in association with MFS Photographic Ltd., registered England 1835748 Registered Office: Stirling Way, Borehamwood, Herts. WD6 2AZ. Offer expires 31/3/86.

*monostables *bistables *astables

Stephen Ibbs

No, this is not an article about various types of housing accommodation for horses, but about three building blocks that are used time and time again in electronics, and yet never fail to cause confusion in the minds of newcomers to the hobby. The stable part comes from the same root word as stability, so the three words of this article's title refer to different types of circuits dealing with electronic stability. The three, known as multivibrators, will be explained separately, and examples given with various circuits using both transistors and i.c.s. Finally a simple test-bed circuit will be described that can be built and experimented with.

All the circuits are shown using a 9V supply, but in fact the CMOS circuits will operate from approx. 5 to 15V, and the transistor circuits from approx. 3 to 12V. All the component values are only suggestions, and modifications are encouraged. None of the CMOS circuits show the supply connections (+V pin 14, and 0V pin 7), and if they are tried, don't forget to tie any spare input pins from unused gates to either supply line, as the text will explain.

MONOSTABLE (Transistor)

Any word starting with mono usually refers to something single, and similarly a monostable multivibrator is stable in one condition only, either on or off (high or low). The circuit can be forced to assume a different state but after a period of time it will revert to its original stable condition where it will remain indefinitely.

Consider the circuit in Fig. 1. Transistor TR1 is normally on, pulling its

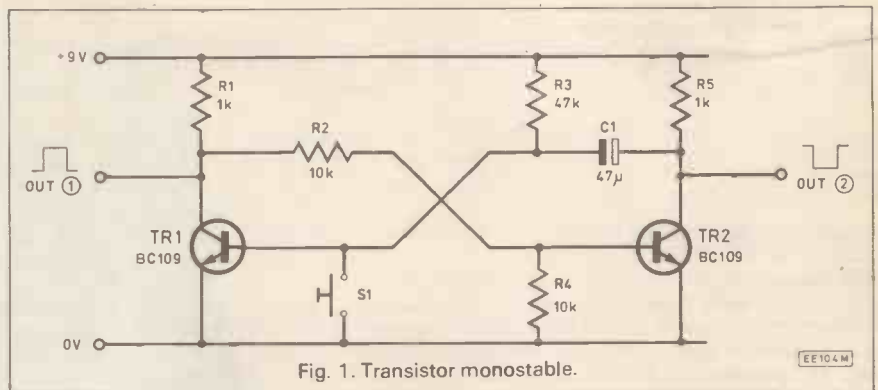


Fig. 1. Transistor monostable.

collector down close to 0V, taking with it the base of TR2, consequently keeping TR2 turned off. Also note that R3 and R5 keep both sides of C1 high so that it is fully discharged.

If however we temporarily short the base of TR1 to ground, this transistor will be turned off, allowing the collector voltage to rise, turning on TR2. The temporary short to base will also take with it the -ve side of C1. However after a period of time determined by the charging circuit involving C1 and R3, the base voltage of TR1 will gradually rise, and it will turn back on again, turning off TR2, and the circuit is once more stable. Note though that if the base of TR1 is held low, shorted to ground, then the outputs will remain in their changed condition until the short is removed, after which the monostable will then complete its cycle. Outputs can be taken from either collector.

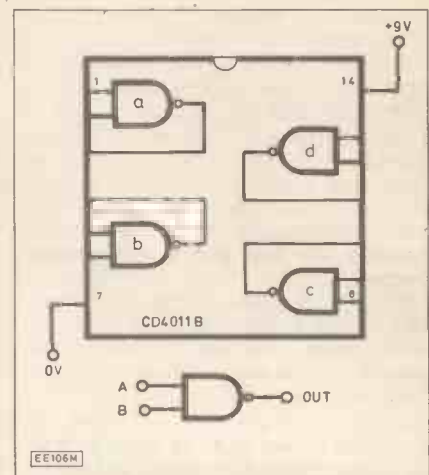


Fig. 3. CMOS 4011B pin connections.

MONOSTABLE (CMOS)

Fig. 2 shows a circuit that does exactly the same job as the transistor circuit above, but this time it is performed by two gates of an i.c., the CMOS 4011 quad NAND gate. The quad means that within the i.c. are four identical circuits, symbolised by Fig. 3. The truth table is shown opposite, and these tables are extremely important for any logic circuit designer, because they show what the gate will do given certain conditions.

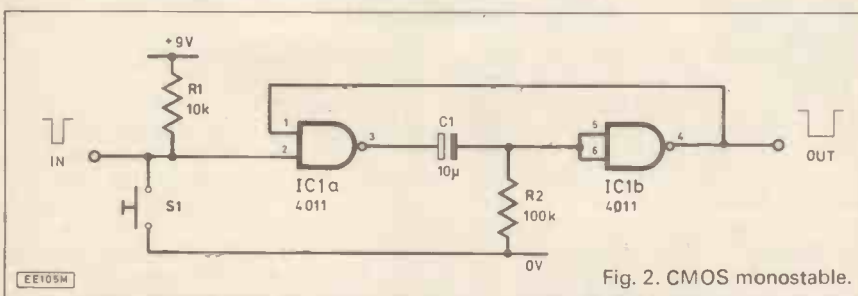


Fig. 2. CMOS monostable.

A logic gate can normally only assume two positions, referred to as high (1), i.e. close to the +V supply voltage, or low (0), close to 0V. The output state of the NAND gate will depend on the states of the two input pins, A and B, so that if both inputs are high, the output will be low. However if only one input is high, it doesn't matter which, then the output will be high, as it will be if both inputs are low. A final point to remember about any CMOS logic gate is that all the input pins must go somewhere; they cannot be allowed to float, i.e. not connected to anything, because the output won't know whether they should be high or low. Consequently you will read in circuit descriptions of pins being tied with resistors to +V or 0V as appropriate.

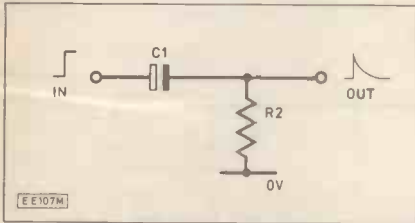


Fig. 4. Differentiator circuit.

Before we examine the circuit in more detail, it is worthwhile just looking at what happens at the junction of C1 and R2. This is called a differentiator, and if the input (the left hand side of C1 in Fig. 4) is a positive going transition, low to high, the junction of the capacitor and resistor will immediately go high, and then gradually fall to 0V via the resistor, irrespective of whether the input is still high or low.

Normally the output at pin 4 will be high. This is because R2 is pulling both IC1b inputs low. Because the output is connected to one of the inputs of another NAND gate (IC1a) and R1 is holding the other input of IC1a high, the output at pin 3 will be low, as shown by the truth table. Consequently both sides of the capacitor are low and it is fully discharged.

When a low-going trigger pulse is applied to pin 2, the output of IC1a will switch states, causing a high pulse, gradually decreasing to 0V on the two inputs pins 5 and 6, the junction of C1 and R2. Thus pin 4 goes low, taking with it pin 1. The output of IC1a will now stay high, even if the trigger pulse is removed. Eventually the decreasing voltage falls below the threshold of pins 5 and 6, and IC1b output reverts back to its original high state.

This takes pin 1 high, and assuming the trigger pulse is no longer there, the output of IC1a will return low. If however the trigger pulse is still present, then IC1a

Table 1. NAND gate truth table.

A	B	OUT
0	0	1
0	1	1
1	0	1
1	1	0

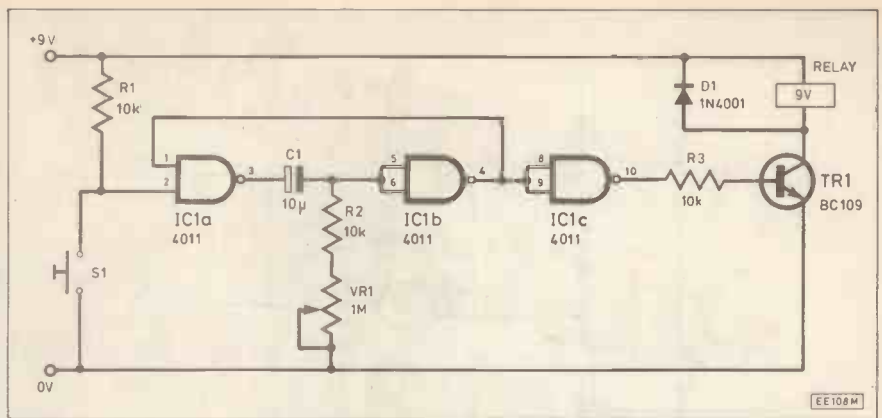


Fig. 5. Simple monostable timer.

output will stay high until it is removed. This is an important difference with the transistor circuit, namely the output (pin 4) changes back, irrespective of whether the trigger pulse has finished.

Monostable circuits are very useful as for example, simple pulse stretchers. As the name implies these lengthen a normally very short pulse to one slightly longer. Normal switches don't in fact switch over very cleanly, and produce more than one pulse, hence they are called noisy; this can totally upset logic circuits. To counteract this, pulse stretchers are used so that the monostable output lasts slightly longer than the complete switchover operation, ensuring that no extraneous pulses get through.

Another use for monostables is as a simple timer, and because of the high impedance of CMOS gates, high value resistors and capacitors can be employed to give very long time delays, a disadvantage with the transistor circuit incidentally. A practical circuit might well be based on one like Fig. 5.

The input to pins 8 and 9 is normally high, going low for the timed period. The truth table shows that the output will consequently be normally low, going high for the timed period, and thereby turning on the transistor. D1 is included to protect the transistor from back e.m.f. when the coil de-energises.

BISTABLE (Transistor)

Any word starting with "bi" normally means two, and a bistable multivibrator is one that is stable in either the high or low (the on or off or the '1' or '0' state). These types of circuits are useful as latches, i.e. sensing an input pulse, and changing the output accordingly. The advantage over normal switches is, as with the monostable above, that they can be made clean, so avoiding glitches in the circuit. The simple circuits shown here have two input pins, normally known as SET and RESET, but brief details will be given later of a specialised flip-flop i.e., the 4013.

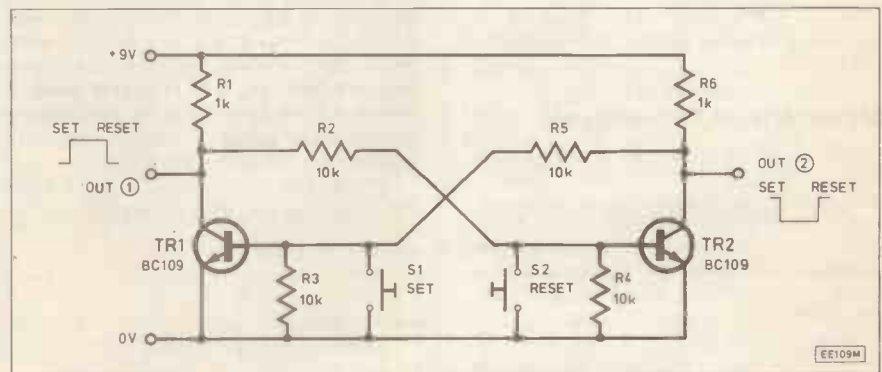


Fig. 6. Transistor bistable.

On pressing S1 the output will switch on TR1, which energises the relay. The changeover terminals can then control an appliance, turning it on or off after a predetermined length of time. Increasing the value of R2 or C1 will lengthen the time delay. You will note that an extra gate IC1c has been used. This was deliberately done rather than use a transistor to show that a 4011 gate can be used as a simple inverter.

Consider the circuit in Fig. 6, assuming that TR1 is on. The effect of this will be to pull the collector of TR1 down close to 0V, taking with it the base of TR2, turning that transistor off. If we now short the base of TR1 to earth, it will turn off, allowing its collector voltage to rise, past the point at which TR2 will turn on. This takes the TR2 collector voltage (and the TR1 base) down, thus ensuring that the base of TR1 is low, and this transistor is

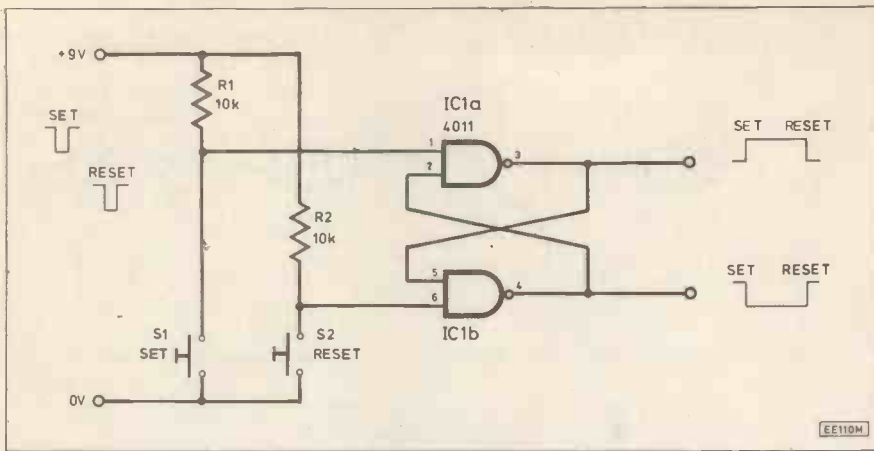


Fig. 7. CMOS bistable.

kept turned off. The circuit is now stable, but with the on and off transistors transposed. Another shorting to 0V, this time the base of TR2, will reverse the process. Outputs can be taken from either collector.

BISTABLE (CMOS)

The CMOS equivalent of the bistable circuit is shown in Fig. 7. Again two NAND gates are used, so that the same truth table applies. Assume that gate IC1a output (pin 3) is high. This means that IC1b pin 5 is high, and because pin 6 is tied high by R2, then IC1b output at pin 4 will be low, holding pin 2 low. R1 is holding pin 1 high, so IC1a output will stay high and the circuit is stable. If S2 is now closed briefly, IC1b output will switch high, taking with it pin 2. Now both IC1a inputs are high, so pin 3 will switch low, taking with it pin 5, and the circuit is once more stable, but with the outputs transposed. Closing S1 will reverse the process.

You will notice that there is no capacitor in either of the two bistable circuits. This is because capacitors normally introduce an element of timing, which is not required in this application, unlike monostables or astables. We want the switch over to be clean, and usually as fast as possible.

Fig. 8 shows a very simple application

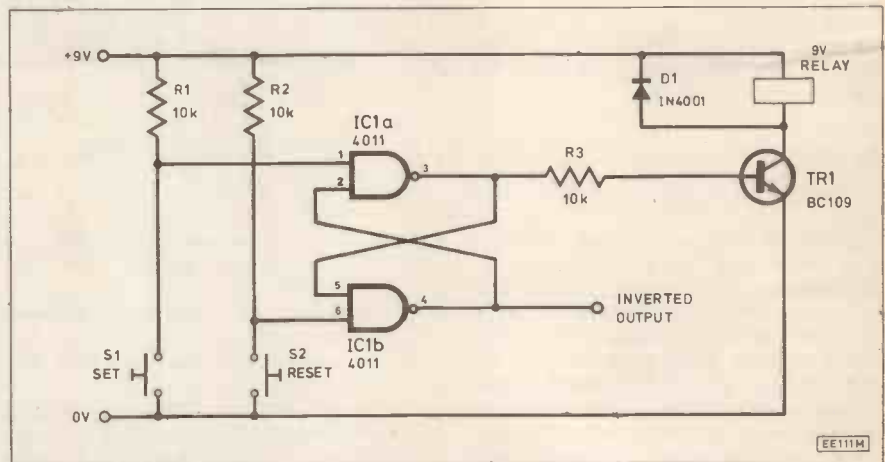
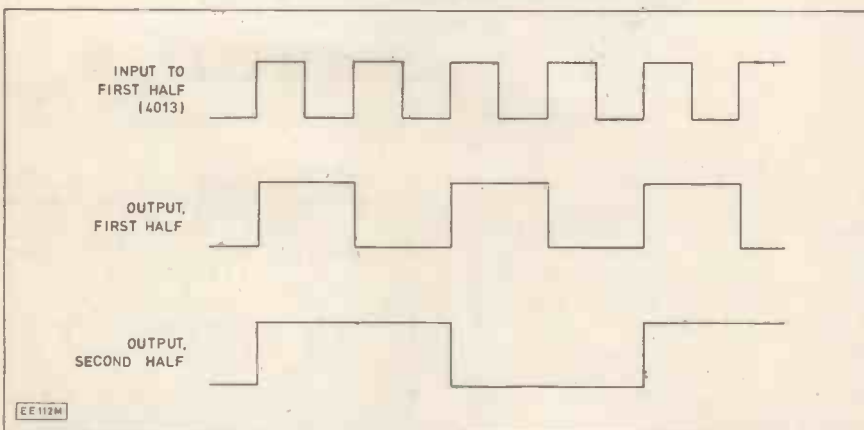


Fig. 8. Simple bistable application.

of a bistable, again using a relay which can be used to turn on household appliances, (but check the power rating!). It is a latching relay circuit, i.e. a simple pushbutton will cause the relay to turn on, and stay on. It will only turn off when the second pushbutton is pressed. Projects always look a bit more impressive with a couple of very small pushbuttons on the front panel to control something rather than a large toggle switch.

The 4013 is a more specialised CMOS dual flip-flop i.c., and a detailed descrip-

Fig. 9. Frequency division waveforms.



tion of all the possibilities available would take too long. However one of the principle advantages is that it only requires one pushbutton to set and reset. This has interesting applications in the field of frequency division, as Fig. 9 will show. Each rising edge of the input waveform will cause the output to change state. Thus it requires two input pulses to cause the output to rise and fall once, which means it has divided the input frequency by two. The 4013 has two identical circuits inside it (see Fig. 10) and the output of the first can be connected to the input of the second, which will further divide the frequency by two.

This technique is often used in simple musical instruments that need to generate frequencies for the different octaves. Usually what is involved is, creating the

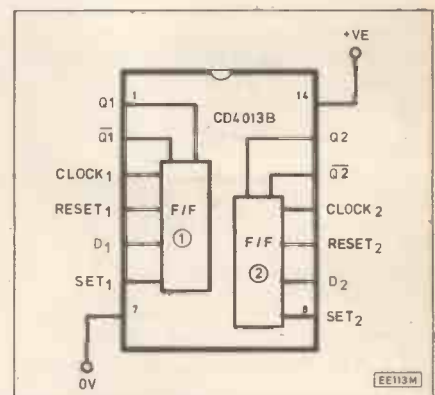


Fig. 10. CMOS 4013B pin connections.

top octave's frequencies, then dividing them by two each time for the lower octaves.

An experimental circuit is given in Fig. 11 and consists of a sound generator, feeding into the 4013, which produces the two lower octaves. The output is fed into a piezo transducer, connected in what's known as a bridge circuit to increase the output power. This circuit can be built either on Veroboard or on a small p.c.b. Varying the resistance of VR1 will alter the pitch, and by switching in either the pure signal, or divided by 2, or 4, the dif-

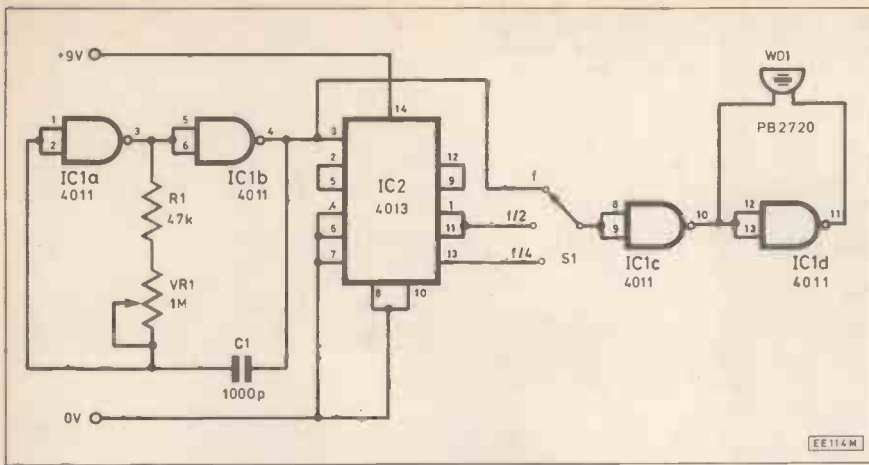


Fig. 11. Simple sound generator and frequency divider.

ferent octaves will be heard. Looking at the latter two waveforms in particular will reveal a very clean square wave with fast rising and falling edges.

ASTABLE (Transistor)

Modern music is often referred to as atonal, without tonality (sounding discordant to many people). Similarly "astable" circuits, being without stability, are those which are deliberately designed to be unable to remain in either the on or off state. They stay in one condition for a period of time, but the operating conditions change, normally caused by rising or falling voltages due to a capacitor, and the multivibrator has to change state, when conditions again start to alter back, and the process continues ad infinitum.

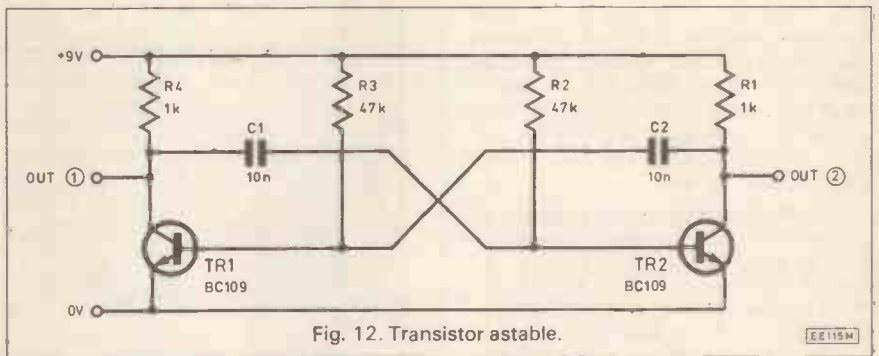


Fig. 12. Transistor astable.

The circuit in Fig. 12 bears some slight resemblance to the transistor monostable circuit and this is not surprising, because it can be considered as two monostables, working opposite to, and continually triggering, each other. For this reason there are now two capacitors in the circuit, one for each transistor. The operation is very similar, with the capacitors alternately charging and discharging, switching on each transistor in turn. The speed of switching is controlled by R2, C1, and R3, C2. If the two resistors and the two capacitors are the same value, a square wave with equal mark-space ratio (i.e. each transistor is off and on for the same amount of time) should be obtained. To make the circuit variable whilst maintaining the equal mark-space ratio requires that R2 and R3 be altered as in Fig. 13.

ASTABLE (CMOS)

The CMOS version of the astable circuit is shown in Fig. 14, and the explanation of how this circuit works tends to get rather complicated, involving the charging of C1 via R1, and then the discharging through the internal input protection diodes, actually contained within the i.c. Detailed explanation is outside the scope of this article, and readers should look to the various reference books on CMOS.

The really nice thing about this circuit is that it only needs two other components apart from the i.c. gates, and because the i.c. contains four identical gates, two oscillators can be built from one i.c., two resistors, and two capacitors. As a bonus one oscillator can control the other. One point to note: because the capacitor charges in both directions, only

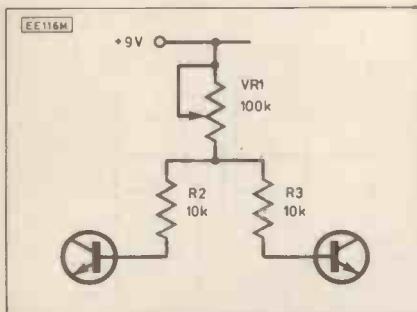


Fig. 13. Frequency alteration circuit.

non-polarised capacitors may be used; electrolytics are not suitable. Values for the resistor can vary from a few kilohms to several megohms, and for the capacitor from a few picofarads to hundreds of microfarads; thus the operating frequency of the oscillator is vast.

If pin 1 is not joined to pin 2, but is instead tied high via a resistor, then by

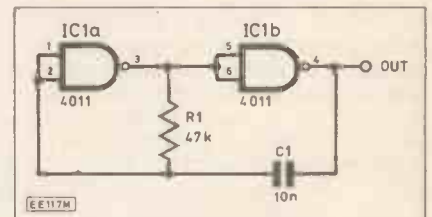


Fig. 14. CMOS astable.

shorting this pin to 0V, the oscillator will stop. This is called a gated oscillator, and the pulling down to 0V can be achieved either mechanically, with a pushbutton, or with another logic circuit, as in Fig. 15.

If controlled by a logic circuit, then the tie-up resistor is not required, because the previous circuit element holds it high or low. Gates IC1a/b are connected as an astable multivibrator, switching high and low quite slowly. The output is connected to one of the pins of the astable using IC1c/IC1d, switching much faster (approx. 1kHz, 1000 times per second), producing an audible sound. The effect of the first astable is to keep switching off

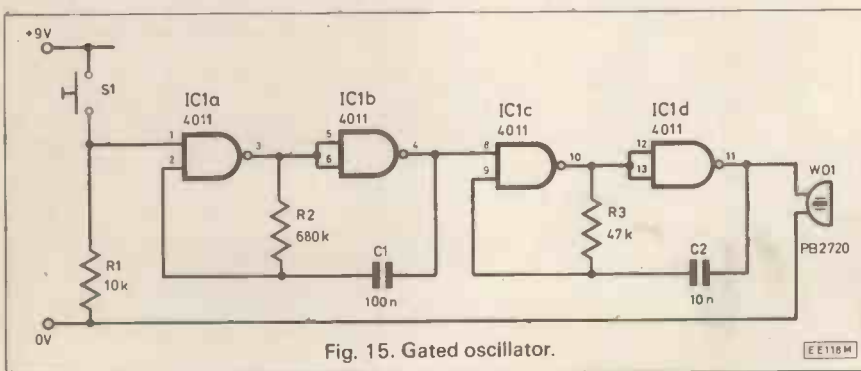


Fig. 15. Gated oscillator.

COMPONENTS

Resistors

R1,R3,R5-R7 10k (5 off)
 R2,R4 47k (2 off)
 R8 680k
 All 1/4W carbon 5%

Capacitors

C1,C2 1μ Tant. bead 35V
 (2 off)
 C3 1000p Disc ceramic

Semiconductors

IC1,IC2 4011 CMOS quad
 NAND gate (2 off)

See
**Shop
 Talk**

page 312

Miscellaneous

S1,S2 Push-to-make
 pushbutton switch
 (2 off)

WD1 PB2720 piezo-
 electric transducer

Printed circuit board: single-sided
 86mm x 50mm, *EE PCB Service*,
 code 8506-03; Veropins; connecting
 wire; link wire; battery connector.

Approx. cost
 Guidance only

£6.00

that they can be combined together in various ways. e.g. if the two monostables control the two trigger pins of the bistable, the output of which gates the oscillator, then S1 and S2 will turn the audio on and off. This is rather a case of over-kill but it does use all the elements!

CONSTRUCTION

A p.c.b. design is given in Fig. 20, with the overlay in Fig. 21. Insert the resistors, capacitors, and veropins for the various link pads. CMOS i.c.s are sensitive to static, though the more recent B-series are more robust. However the legs should be handled as little as possible, and insert the i.c.s last in any p.c.b. When construction is complete, check carefully, then switch on. If connected as suggested above, then the switches should control the audio.

Try experimenting with different permutations, and different component values. R5, R6 and R7 are tie up/down resistors and in fact are unnecessary in the configuration example illustrated. Each section has been labelled in and out so that the operation can be understood more easily.

CONCLUSION

It is hoped that this article will have shown how useful the three types of multivibrators are. They crop up time and again, in various guises, and readers are well advised to read more information about them to gain a greater understanding. □

EXPERIMENTER'S TEST BED

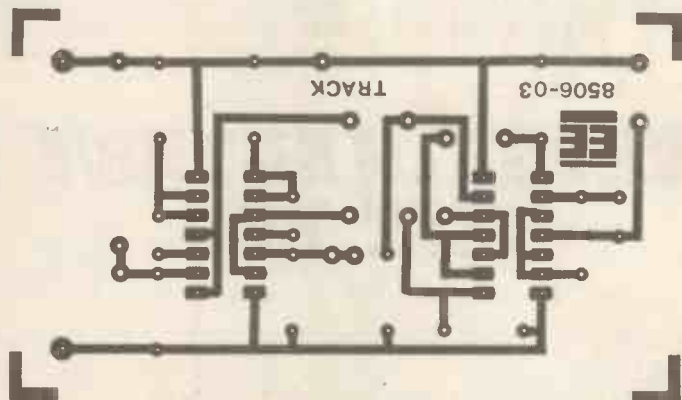
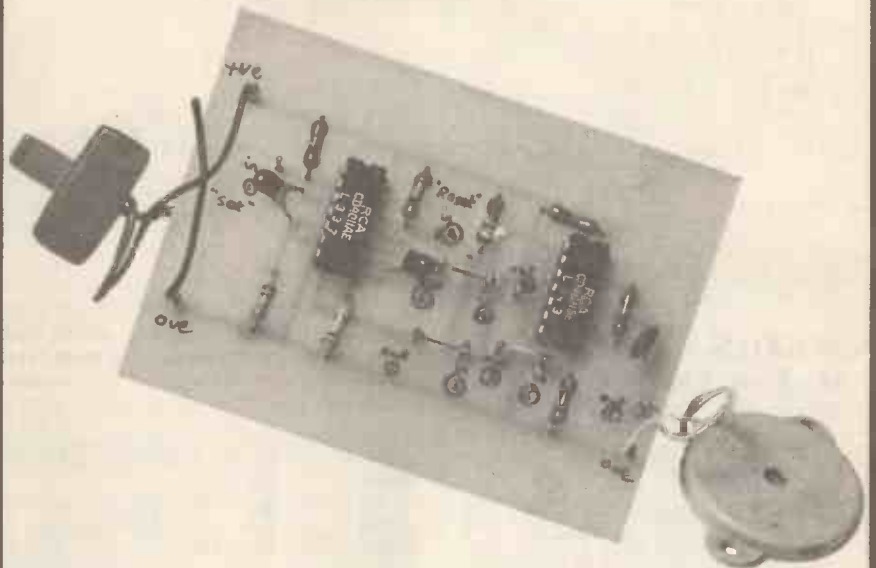


Fig. 20. P.c.b. design of the Experimenter's Test-bed. This board is available from the *EE PCB Service*; order code 8506-03.

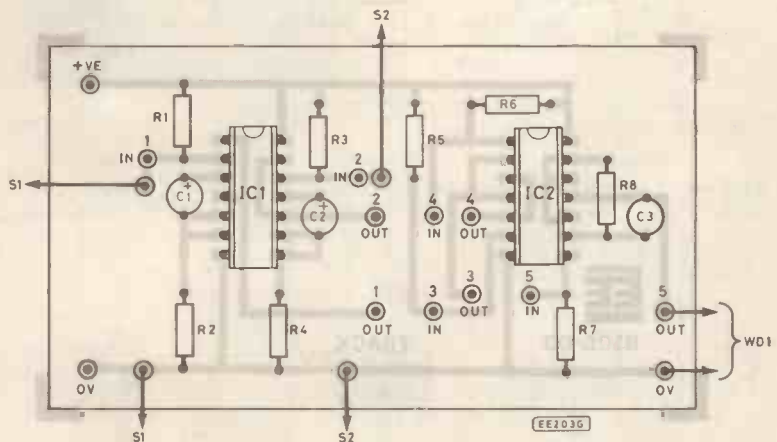
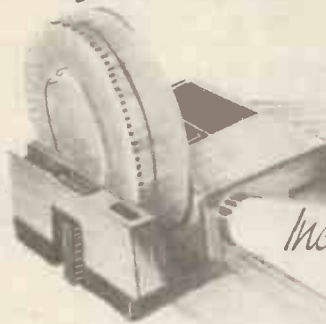


Fig. 21. Component layout of the Experimenter's Test-bed.

all in your **JULY** issue!



Projector and photoflood lamps have a very short life, and are expensive to replace. This project reduces the switch-on current surge, so extending the life of the lamp: the savings made in this way mean that the circuit will pay for itself many times over.

Increasing
Lamp Life

**MTX 8 CHANNEL
A to D**



No more electronic loneliness—now your MTX can listen to the real world with this compact A to D board. It has hundreds of useful applications and can cater for a wide range of extra peripherals.

NEW
REGULAR **ROBOTICS REVIEW**

With the ever increasing range of robotic products and producers we feel it is time to introduce a regular page which will keep an eye on the activity, bring you news from the industry and generally look at where it is all leading.

modems

In this second part we look at current design techniques and typical circuit elements. The all important British Telecom "Approved Design" specification for construction and connection will also be dealt with.

**PRACTICAL
ELECTRONICS**

ROBOTICS · MICROS · ELECTRONICS · INTERFACING
JULY ISSUE ON SALE FRIDAY, JUNE 7

**PREPARE FOR TOMORROW'S
WORLD, TODAY!**

An understanding of electronic and computer technology is fast becoming a vital part of today's living. Take out an annual subscription and have

**EVERYDAY ELECTRONICS & COMPUTER
PROJECTS** delivered direct to your door every month...

**SUBSCRIPTION
RATES**

U.K. £12.00
Overseas £15.00

**COMPLETE
AND POST
THIS
ORDER FORM
TODAY!**

**EVERYDAY
ELECTRONICS
and computer PROJECTS**

**SUBSCRIPTION
ORDER FORM**

Annual Subscription Rates	
U.K.	£12.00
Overseas	£15.00
(Students: deduct £1 and quote Student number)	

Complete this form and post it, with payment or credit card authorisation to:
Everyday Electronics
Subscription Dept.
Oakfield House,
35 Perrymount Road,
Haywards Heath,
West Sussex RH16 3DH

POST COPIES TO:

NAME: _____

ADDRESS: _____

POST CODE: _____

I enclose my cheque/P.O. payable to IPC Magazines Ltd. for £ _____
Charge my credit card A/C at quoted rate

Card valid from: _____ to _____

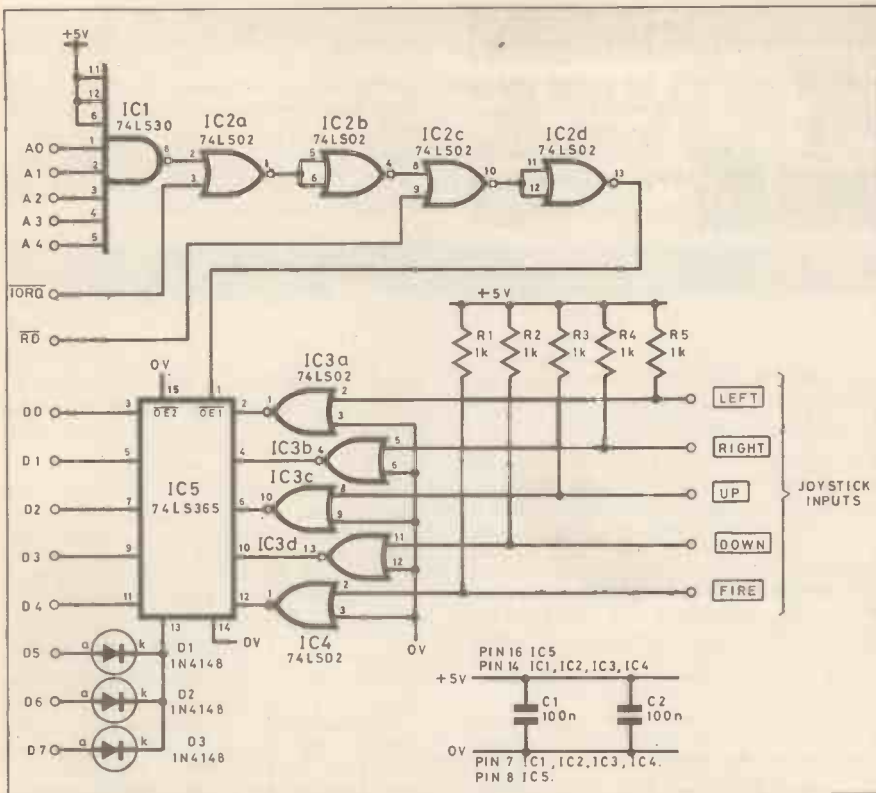
Signature _____ **21**

ZX SPECTRUM JOYSTICK INTERFACE

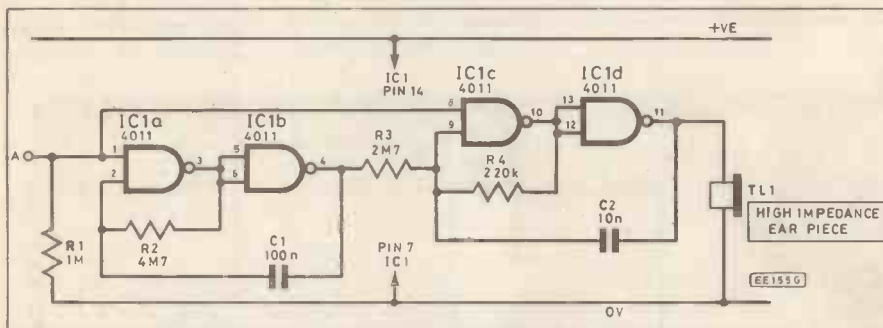
This simple Joystick Interface for the ZX Spectrum consists of a few discrete components and five readily available i.c.s. It is addressed when A0 to A4 are at logic 1. With this condition true and the Z80 control lines, RD and IORQ low (logic 0), the hex buffer i.c., IC5 is enabled and the device is ready to transmit.

The Joystick conditions are fed to data lines, D0 to D4 and are read as left, right, up, down and fire respectively. R1 to R5 are pull up resistors and the Joystick signals should be switched to ground to provide the required voltage levels.

A. Moran,
Reading,
Berks.



For more circuit ideas for the Spectrum, see our regular feature, *On-Spec*, Page 314



simulate an emergency vehicle siren for model cars or alternatively it may be used in conjunction with an amplifier to drive a burglar alarm.

IC1c and IC1d form a simple oscillator whose output is modulated with the output from the oscillator formed by IC1a and IC1b running at about 1Hz, to give an alternate high and low signal.

There is nothing new about this circuit but a useful 'switch' is provided by the input to IC1a. When 'A' is at logic 1 the circuit is on, when at logic 0 the circuit is off and it draws negligible current. This makes it ideal for use with computers or remote controlled models.

W. A. Adam,
Kettering,
Northants.

SIMPLE BURGLAR ALARM

This simple alarm circuit uses just one i.c. wired as a flip-flop and multivibrator. The flip-flop, IC1a and IC1b is wired to give a normally low output which is switched high whenever the loop circuit is broken, via the switches or cut wire. This will cause the l.e.d., D1 to light and the multivibrator, IC1c and IC1d to be activated.

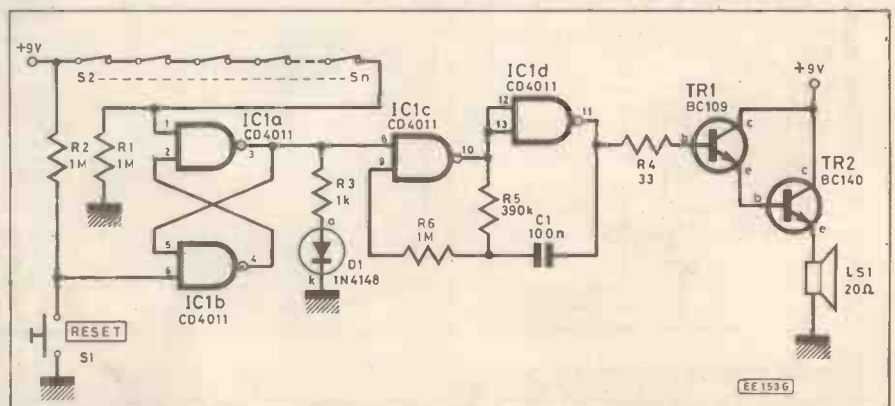
The output from IC1d is amplified by the Darlington pair, TR1 and TR2 which supply current to drive a loudspeaker or relay.

A Reset switch S1 is provided which will reset the alarm when the loop has been re-established. The frequency of the alarm signal can be modified by changing the components associated with IC1c and IC1d.

K. A. Khiavi,
Tehran,
Iran.

MODEL EMERGENCY VEHICLE SIREN

Once again we see a simple oscillator application circuit. This design is used to



COUNTER INTELLIGENCE

BY PAUL YOUNG

On Trial

Being an avid reader, the first thing I did on moving to my new district was to join the library. My previous library was the old fuddy-duddy type which issued tickets, but it had certain advantages. You were given six tickets, so if you looked in your pocket and only found five you knew you had a book to return, even old Young can count up to six.

Contrast this with my present library. You are issued with one ticket, which has a rectangle on the bottom surrounding a series of vertical lines (as used in some Supermarkets for pricing). Having selected your books, the librarian rubs a special collector across the appropriate part of your ticket, and also across a similar marking fixed to the inside cover of each book. On returning the books, they only rub the collector across the marks in the books.

It seemed to work well enough until last week, when I received a letter requesting me to return *Systematics* by John Gall. I was convinced in my own mind that I had returned it. To be certain, I turned Schloss Young inside out, though to no purpose.

Finally I went to the library and asked the lady if their electronic wonder ever made mistakes. "Oh! yes" she said, "You see it is very old". This rather surprised me as I thought they were the latest thing, so I explained my predicament and she went off to investigate. She returned beaming, and said, "I wrote to you at the beginning of the week and you came in and returned it".

"Madam" I replied, trying to appear cross, which is difficult if the recipient is an attractive young lady, "I have not returned any books this week, I returned that book a month ago, it has obviously been sculling around your library and you have only just found it."

While I was sitting at home cogitating on this fracas I fell asleep and had a dream which finished up as a nightmare. It was evidently some time in the future, and Young was in the dock charged with some dreadful crime.

The Jury consisted of twelve good computers and true, and my learned friend, the computer for the defence, was giving his final summing up speech. Unfortunately due to a bad joint on one of his chips he became thoroughly confused and thought

he was the computer for the prosecution. Consequently poor old Young was sentenced to be hung. Luckily I woke up just before the sentence was carried out. It was a narrow squeak and all due to a faulty joint.

I don't wish to appear as an alarmist, but remember this could happen. To repeat myself once more, computers are wonderful, except when they go wrong.

Mature Guard

You would imagine that any firm responsible for the security of 700 million pounds worth of maturing whisky would have the latest and most sophisticated type of electronic alarm system. In the case of George Ballantyne and Sons, you would be wrong. They employ a flock of Chinese geese who patrol the barbed wire perimeter and racks of casks twentyfour hours a day. Any intruders start them cackling so loudly that they wake up the two human guards.

The geese were the idea of the late Tom Scott managing director of the company after studying Roman history. He decided that as the geese successfully aroused Rome in time to counter the Gauls offensive in 390 B.C. they could probably frighten off Bill Sykes, or perhaps I should say Mac Sykes, bearing in mind they are situated North of the border.

Apart from the minimal running costs, another advantage is, that they can reproduce themselves, something still beyond the scope of any electronic device—I always say you can't beat these old fangled ideas!

Intruder Alarms and Accessories

A COMPLETE SECURITY SYSTEM FOR ONLY £39.95 + V.A.T.

Control Unit
Enclosure & mechanical fittings
Key Switch & 2 keys
LED's
5 1/2" Horn Speaker
4 high quality surface mounting Magnetic Switches

CA 1250
HW 1250
KS 3901
LED 1
HS 588
MS 1025

With only a few hours of your time it is possible to assemble and install an effective security system to protect your family and property, at the amazingly low cost of £39.95 + V.A.T. No compromises have been made and no corners have been cut. The outstanding value results from volume production and direct supply. Assembly is straightforward with the detailed instructions provided. When installed you can enjoy the peace of mind that results from a secure home. Should you wish to increase the level of security, the system may be extended at any time with additional magnetic switches, pressure pads or ultrasonic sensors. Don't wait until it's too late—order today.
Order Code: CS 1370.

EXTENDED SYSTEM CS 1480 Price £62.50 + V.A.T.

This system contains, in addition to the CS 1370, an ultrasonic detector type US 5063 in its enclosure, an additional horn speaker and a further 2 magnetic switches. This system represents outstanding value for money for the high level of security provided.
Order Code: CS 1480.

SELF-CONTAINED ULTRASONIC ALARM UNIT CK 5063

only £37.00 + V.A.T.

Requires no installation. Easily assembled using our professionally built and tested modules.

- Adjustable range up to 25ft
- Built in entrance and exit delay
- Built in timed alarm
- Key operated switch—Off, Test and Operate
- Provision for an extension speaker
- Fully self-contained
- Uses US 5063, PSL 1865 Key Switch 3901
- 3" Speaker 3515

Now you can assemble a really effective intruder alarm at this low price using tried and tested Riscomp modules. Supplied with full instructions, the kit contains everything necessary to provide an effective warning system for your house or flat. With a built in LED indicator and test position the unit is easily set-up requiring no installation. It may simply be placed on a cupboard or desk. Movement within its range will then cause the built in siren to produce a penetrating 90db of sound or even 110db's with an additional speaker. All parts included and supplied with full instructions for ease of assembly. Size 200 x 180 x 70mm. Order as CK 5063.

RISCOMP LIMITED

Dept EE30
21 Duke Street,
Princes Risborough,
Bucks. HP17 0AT
Princes Risborough (084 44) 6326

ALARM CONTROL UNIT CA 1250

Price £19.95+V.A.T.

The heart of any alarm system is the control unit. The CA 1250 offers every possible feature that is likely to be required when constructing a system whether a highly sophisticated installation or simply controlling a single magnetic switch on the front door.

- Built-in electronic siren drives 2 loud speakers
- Provides exit and entrance delays together with fused alarm siren
- Battery back up with trickle charge facility
- Operates with magnetic switches, pressure pads, ultrasonic or IR units
- Anti tamper and panic facility
- Stabilised output voltage
- 2 operating modes (full alarm/tamper and panic facility)
- Screw connections for ease of installation
- Separate relay contacts for external loads
- Test loop facility

HARDWARE KIT HW 1250

only £9.50 + V.A.T.

This attractive case is designed to house the control unit CA 1250, together with the appropriate LED indicators and key switch. Supplied with the necessary mounting pillars and punched front panel, the unit is given a professional appearance by an adhesive silk screened label. Size 200 x 180 x 70mm

SIREN & POWER SUPPLY MODULE PSL 1865

only £9.95 + V.A.T.

A complete siren and power supply module which is capable of providing sound levels of 110db's at 2 metres when used with a horn speaker. In addition, the unit provides a stabilised 12V output up to 100mA. A switching relay is also included so that the unit may be used in conjunction with the US 5063 to form a complete alarm.

NEW



DIGITAL ULTRASONIC DETECTOR US 5063

only £13.95 + V.A.T.

This advanced module uses digital signal processing to provide the highest level of sensitivity whilst discriminating against potential false alarm conditions.

ULTRASONIC MODULE ENCLOSURE

only £2.95 + V.A.T.

Suitable metal enclosure for housing an individual ultrasonic module type US 5063 or US 4012. Supplied with the necessary mounting pillars and screws etc. For US 5063 order SC 5063, for US 4012 order SC 4012.

TIMER SWITCH & POWER SUPPLY MODULE DP 3570 Price £13.95 + V.A.T.

The DP 3570 consists of an adjustable timer switch and stabilised 12V power supply for use in a wide range of applications including security, lighting control and automatic switching.

The timer section of the module provides switching of loads up to 3A for preset times, the duration of which may be set by the user to between 10 secs and 5 mins. The timed period may be triggered by the opening of a loop or the closing of external contacts, with the timed period commencing instantaneously or delayed to provide a form of entrance delay.

The power supply section of the module provides a 12V output of up to 250mA which is sufficient for most applications. The module operates from either 240V AC supply or a 12V battery for which trickle charge facilities are included. Connections to the module are by means of screw terminal connectors with no soldering needed.

For mounting the unit an attractive moulded enclosure is available.

ME 357 only £2.85 + V.A.T.

INFRA-RED SYSTEM IR 1470 only £25.61+V.A.T.

Comprising of separate transmitter and receiver both of which are housed in attractive moulded cases, the system provides an invisible modulated beam over distances of up to 50ft operating a relay when the beam is broken. Intended for use in security systems, but also ideal for photographic and measurement applications.

RISCOMP THE SECURITY SPECIALISTS!

Add 15% V.A.T. to all prices
Add 70p post and packing to all orders
Units on demonstration
Shop hours 9.00 to 5.30 p.m.
Closed Wednesday
Please allow 7 days for delivery

Saturday 9.00 to 1.00 p.m.
Order by telephone or post using your credit card

FULL RANGE OF ACCESSORIES STOCKED SEND SAE FOR DETAILS

NEW · NEW · NEW · NEW PRODUCTS NEW · NEW · NEW · NEW

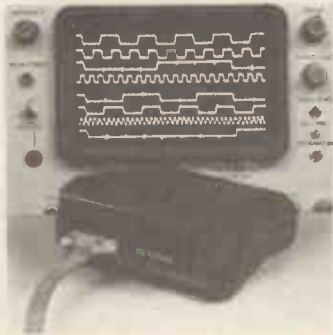
LOGICAL STEP

An oscilloscope companion that will enable most scopes to have the facilities to function as a real-time eight channel logic analyser is the latest product from Heaviside Industries.

This relatively low-cost add-on is capable of allowing the scope to display high speed signals from d.c. to 10MHz, and is compatible with all $\pm 5V$ logic. No a.c. outlet is required, the unit taking power directly from the circuit under test and drawing typically 50mA.

Allowing the scope to display up to eight simultaneous traces on the screen, the unit is supplied with 750mm eight channel probe complete with E-Z hooks for easy i.c. connection.

The Real-Time Logic Analyser (RTLTA) is expected to sell for



around £150, including VAT. This includes operating instructions, full one year warranty on parts, postage and packing.

For further information contact:

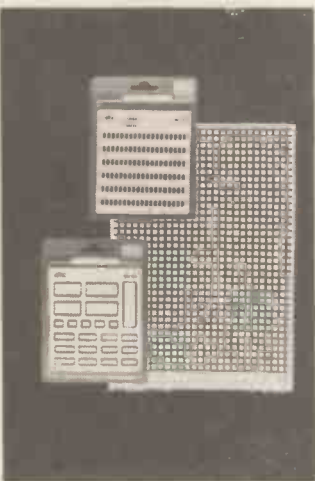
*Heaviside Industries Ltd.,
Dept EE, 45 Woodstock Road,
London, NW11 8ES.*

TRANSFERS

AAVAILABLE to amateurs wishing to design and make their own one-off p.c.b.s, as well as for the professional, Peltech are marketing a new range of ALFAC "rub-down" dry transfers.

The range includes self-adhesive black flexible crepe paper tapes with a non-reflective matt finish for quality photographic reproduction work. It is claimed that the use of a quality adhesive allows easy correction and resiting of "tracks" as necessary.

Included is a comprehensive selection of circular and d.i.l. pads, connectors and elbows, track conductors and relay symbols. A further addition is a range of solder mask symbols, component outlines and round plane grids. These are printed in inactive transparent red (photographically opaque) which, it is claimed, permits accurate positioning in relation to the printed circuit layout.



The complete range of ALFAC Electronic draughting aids is now listed in a new free catalogue. Information on stockists and copies of the catalogue may be obtained from:

*Peltech Ltd.,
Dept EE, Station Lane,
Witney, Oxon, OX8 6YS.*

CASE FOR ENCLOSURE

THE first of a new range of durable enclosures moulded in rigid polyurethane is now available from Plastek.

Designed as a medium sized desk console, the EC21 can be used with a range of components including key pads, meters, liquid crystal displays, and ZIF sockets to produce stylish assemblies for desk and laboratory applications.

Being moulded from polyurethane, the case lends itself to a variety of fixing arrangements such as inserts, self-tapping screws, through bolting and epoxy adhesives, and can be cut, drilled or routed using ordinary tools.

Features include a brushed aluminium mounting plate, moulded-in mounting guides for circuit boards, provision for Perspex display face, large cable entry/outlet plate and non-slip rubber feet.

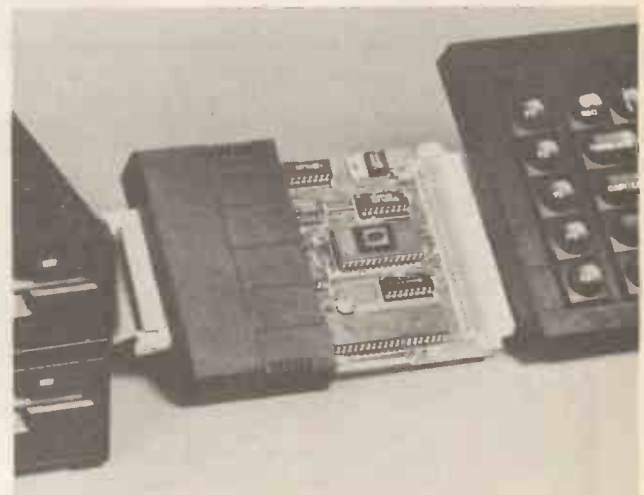


The case is finished in polyamide spatter textured paint with black base and grey top and is claimed to be impervious to most forms of chemical and environmental attack. Other colours are available to special order.

For details of prices and range of cases available contact:

*Plastek,
Dept EE, Units 1, 2 & 7,
The Midlands Industrial Estate,
Holt, Trowbridge,
Wilts, BA14 6RU.*

DRIVE FOR SINCLAIR QL



A 3.5in floppy disc drive system to operate with the Sinclair QL is announced by Micro Peripherals.

The system has been designed and manufactured in the UK and is available in three separate units which can be purchased individually. The package consists of an interface module and first and second disc drives.

The two drive system has a total formatted capacity of 1.44MB and provides fast file handling using the multitasking feature of the QL.

The interface which supports up to four drives on a standard

multibus provides a whole host of resident utilities including a screen editor, job control as well as additional file handling commands.

The interface module has a recommended selling price of £99 and the first and second Disc Drives are available for £189 and £159 respectively (ex VAT).

For more details and addresses of nearest stockists contact:

*Micro Peripherals Ltd.,
Dept EE, Unit 3 Intec,
Hassocks Wood, Wade Road,
Basingstoke, Hants, RG24 0NE.*

COMPUTER CLUB

ANSWERS

LINK-UP

Link-up the letters to form a chain of words related to computing. Start at **A**.

A	T	O	R	P	A	S	S		
L	D	O	N	L	O	W	O		
U	N	H	E	R	A	D	R		
C	O	P	I	R	L	D	I	D	
L	I	B	A	E	P	O	N	F	
A	T	A	S	I	C	C	S	L	
C	G	T	N	E	M	U	D	O	
R	E	N	I	G	G	U	B	E	W
A	N	I	A	M	T	R	A	H	C
M	E								

WORD	CLUE
1 BASIC	Beginners...
2 PERIPHERAL	disk drive is one may include flowchart
3 DOCUMENTATION	Large to small ...not if you're perfect
4 DOWNLOADING	Hand held
5 DEBUGGING	...for access
6 CALCULATOR	Shows sequence
7 PASSWORD	LARGE.
8 FLOWCHART	
9 MAINFRAME	

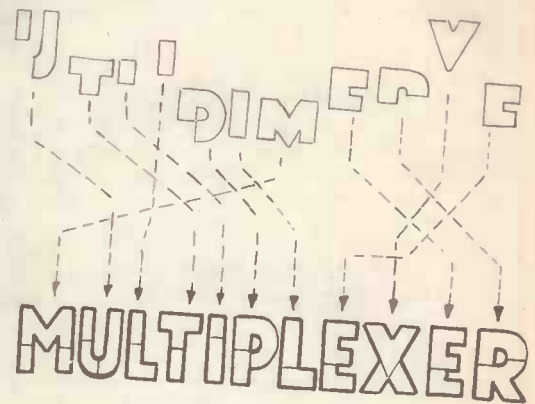


"Contact sales, fellas! I THINK I've found someone who hasn't got a computer!"

AMBUSH

The BLACK SPOT is ambushed by a horde of numbers but there is an escape route! All you have to do is find 19 circles leading to the outside of the square and they must add up to exactly 48.

3	1	2	6	2	6	9	7	2
2	9	8	14	3	2	1	8	1
6	6	3	2	1	4	2	4	3
2	1	4	9	3	6	3	7	12
6	2	3	1	4	1	2	4	
17	3	9	12	3	4	6	2	3
8	1	2	3	2	3	9	7	7
4	4	6	4	6	7	8	4	3
9	7	2	1	2	6	2	1	4



```

1180DEFPROC(TX) IFTX=19 WX=132 ELSEWX=128
1190 IFLX?SX COLOURWX ELSECOLOUR135
1200PRINTTAB(TX-LENH$(SX),YX) H$(SX):COLOURWX:ENDPROC
1210DEFPROCV FORPX=247 TO251:VDU23,PX,255:FORIX=IX TOIX+2:VDUX?IX*257,:NEXT:VD
U255:NEXT:ENDPROC
1220DEFPROCbrd(HX,MX) LOCALXX,YX,CX:GCOLO,HX
1230 IX=IX(SX)+MX:M=0.5:M=FNout:IFM% XX=X?SX*5:YX=Y?SX*4 ELSEX%=630:YX=512:IX
=IX+1
1240 VDU29,XX,YX,5:MOVEFNout,0:FORPX=IX TOIX+FNout/M STEP2
1250 DRAWFNout, FNout:NEXT:IFM%ANDS%<5MOVE-32,16:VDU233+SX
1260VDU26,5:IFM%ENDPROC
1270 PROCV:UX=0:M=LENH$(SX):NX=TRUE:CX=TRUE:PROC2
1280 GCOLO,2:FORYX=128 TO896 STEP64:XX=24:TX=TRUE
1290REPEATREPEAT:XX=XX+4:WX=FNpt:UNTILABSWX=1:IFWX=1 TX=TX+1:TX(TX)=XX
1300 REPEATX=X+4:WX=FNpt:UNTILWX<1:TX=TX+1:TX(TX)=XX
1310UNTILWX=TRUE ORTX=3:VX=TX(1):WX=TX(2)
1320FORXX=64 TO1216 STEP64:NZ=NZ+1:IFTX<3THEN1380
1330 IFXX<VX ORXX+64>WX ORPOINT(XX,YX-64)<2THEN1370
1340 CX=CX+1:PX=5:REPEAT:QX=CXMODEX?PX:PX=PX-1:UNTILQX=0 ORPX=0
1350 TX=32:IFQX=0 PX=PX+1:TX=246+PX
1360 QX?NX=PX:MOVEXX,YX:VDUTX:IFTX>32 GCOLO,1:VDU8,10,238:GCOLO,2
1370 FORPX=XX TOX+60 STEP4:IFPX>VXANDPX<WX:PLOT 69,PX,YX:NEXT ELSENEXT
1380NEXT:NEXT:CX=0:REPEATNX=0:REPEATNX=NZ+1
1390 IFGX?NX=0 CX=CX+1:IFCXMOD37=0ANDUX<MX UX=UX+1:h?UX=NX:GX?NX=ASCMI$(HX$(SX
),UX,1)
1400UNTILNX=240:UNTILUX=MX:VDU24,32,68,1216,896,:ENDPROC
1410DEFNFpt=POINT(XX,YX)
1420DEFNout VX=D?IX:IX=IX+1:IFVX>128 VX=128-VX
1430=VX*M
1440DEFPROCv19(VX,WX) VDU19,VX,WX,0,0,:ENDPROC
1450DEFPROC1(VX) MOVE0,VX:DRAW1279,VX:ENDPROC
1460DEFPROCcr(VX) VDU279:VX:0,0,0,:ENDPROC
    
```

CONTINUED FROM PAGE 325

ELECTRONIC DOORBELL

L.S. COOK

THE purpose of this project is to construct a doorbell with the ringing sound of the conventional electromechanical device, but taking advantage of the reliability and compactness of electronic techniques. It is battery-operated with the batteries housed in the unit, so the only external connections are those to the bell-push.

POWER

The two PP3 batteries providing the power may seem uneconomical but they minimise the physical size, and with only intermittent use they should last an acceptably long time.

The current drain is about 5mA, and just one battery could be used, but the loudness would be reduced. The supply must not exceed 18V, as this is the maximum that the i.c. can handle.

CIRCUIT DESCRIPTION

The circuit diagram is shown in Fig. 1. IC1c and IC1d, together with R3,

R6, VR1 and C3 produce a square-wave at the resonant frequency of WD1, adjustable by VR1. TR2 and TR3 drive WD1 using a simple push-pull arrangement. IC1a, IC1b and associated components produce very short zero-going pulses when pin 1 of IC1a is high (bell-push pressed), which switch on TR1 and charge C4. The capacitor, prevented from discharging through IC1b by D2, gradually discharges through the base-emitter junction of TR1, thereby steadily reducing the current available to the output stage, and effectively giving rise to damped oscillations between each pulse from IC1b.

When the power is disconnected (push released), C1 maintains a supply to IC1, and with pin 1 now low, the output of IC1b is low, holding on TR1. C5 then supplies a diminishing voltage to power WD1, again simulating damped oscillations.

D3 and D5 ensure that C1 and C5 respectively discharge only along the required paths. D4 provides a voltage drop

to roughly match that across D3 so that the input at pin 1, IC1, is not harmfully above the supply voltage to this i.c.

CONSTRUCTION

The sixteen breaks to be made in the copper tracks of the circuit board are shown in Fig. 2. This also shows the positions of the wire links on the underside and the layout of the components and links on top of the board.

Complete the trackside first, then mount the i.c. holder, VR1, and add the links on the upper side. Solder in the remaining components leaving the semiconductors until last. Use sleeving, such as the insulation from connecting wire, on the leads of D1 to prevent electrical contact with VR1.

Attach the flying leads, battery connectors, and WD1 to the circuit board as shown. Check the orientation of C1 and C5 and ensure there is no copper or solder shorting adjacent tracks.

CASE

A box made specially (3mm plywood is suitable) enables the circuit board, batteries and terminal block to fit exactly (see photographs) so that the unit can be kept as compact as possible. WD1 is screwed to a strip of wood which is then screwed across the top of the box. The prototype, as shown in the photographs, was constructed in this way.

Alternatively, a plastic box could be utilised to give a more professional finish, with WD1 screwed to the outside of its lid, holes being made in the lid to take the leads. Holes would also be needed in one side for the leads to the bell-push. A box with dimensions 95 x 71 x 35mm is suitable.

The circuit board is screwed to the bottom of the wooden box using small-gauge screws in the positions indicated in Fig. 2 and the terminal block screwed to the side as shown. Make screw holes in the base for mounting the box, if it is to be secured in a fixed position. The two battery connector leads which are joined together are anchored on a solder-tag positioned between the terminal block and box.

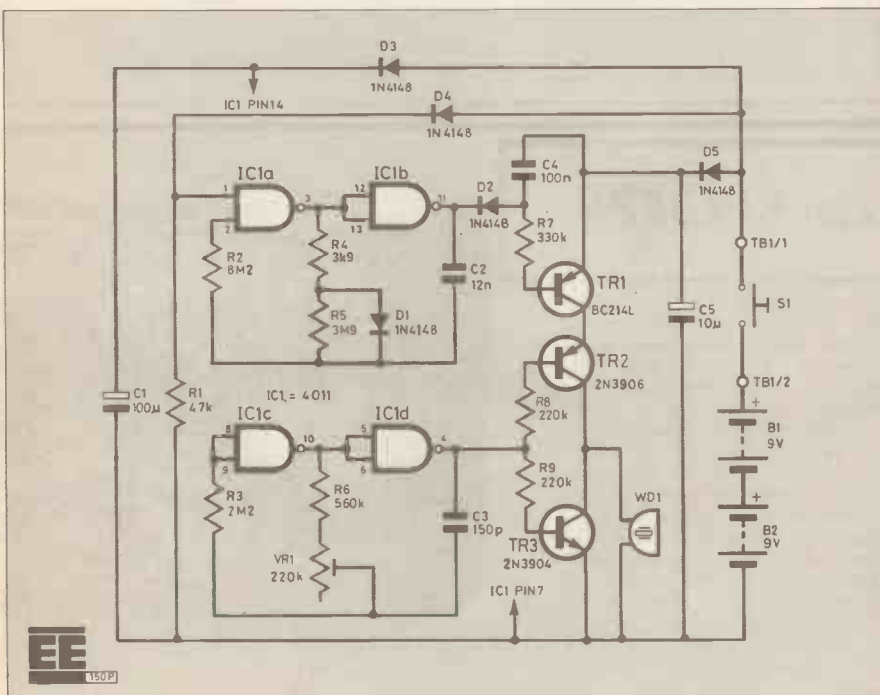


Fig. 1. Circuit diagram for the Electronic Doorbell.



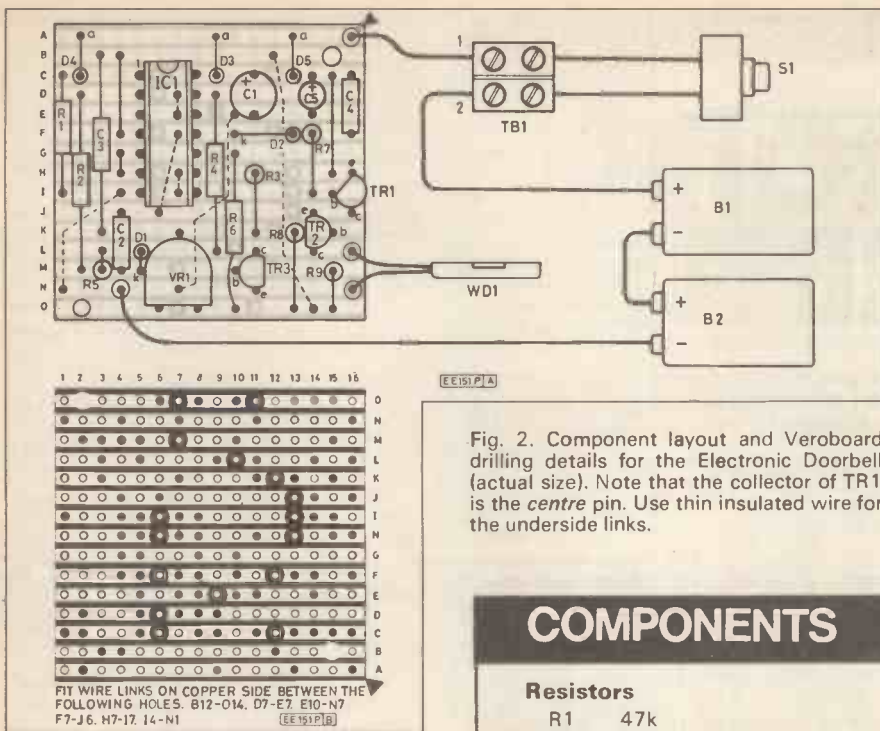


Fig. 2. Component layout and Veroboard drilling details for the Electronic Doorbell (actual size). Note that the collector of TR1 is the *centre* pin. Use thin insulated wire for the underside links.



View showing the layout of the circuit board and batteries within the case.

If required, a cover can be made for the unit. The prototype made use of an empty margarine tub, painted with silver-coloured enamel paint. A small hole (about 5mm diameter) was made in the centre of the tub, immediately above the hole in WD1, and pieces of foam rubber glued round the inside of the tub fixed the cover in position.

ADJUSTING

Insert IC1, connect the batteries and bell-push. With the device in operation, adjust VR1 to provide the best sound and loudest output.

Finally, fix the bell and push in the desired positions, with an appropriate length of twin flex connecting them. □

COMPONENTS

Approx. cost **£5.00**
Guidance only

Resistors

- R1 47k
- R2 8M2
- R3 2M2
- R4 3k9
- R5 3M9
- R6 560k
- R7 330k
- R8,R9 220k (2 off)
- All $\frac{1}{4}$ W $\pm 5\%$ carbon

Potentiometer

- VR1 220k min. horizontal preset

Capacitors

- C1 100 μ 25V radial elect.
- C2 12n polycarbonate
- C3 150p polystyrene
- C4 100n polycarbonate
- C5 10 μ 25V radial elect.

Semiconductors

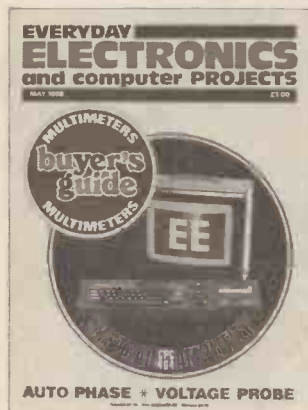
- D1 to D5 1N4148 silicon (5 off)
- TR1 BC214L *npn* silicon
- TR2 2N3906 *npn* silicon
- TR3 2N3904 *npn* silicon
- IC1 4011 CMOS quad 2-input NAND gate

Miscellaneous

- WD1 PB 2720 piezo-ceramic transducer
- B1,B2 9V battery (PP3) (2 off)
- S1 Push-to-make switch
- 0.1 inch matrix stripboard, 15 rows x 16 holes; 14-pin d.i.l. socket; 2A terminal block, two sections; PP3 battery connectors (2 off). Case—minimum internal dimensions 68 x 57 x 28mm; twin flex, length as required; bell-push; 6BA solder-tag; fixing screws.

See
**Shop
Talk**
page 312

BACK NUMBERS and BINDERS



Certain back issues of EVERYDAY ELECTRONICS are available world-wide price £1 inclusive of postage and packing per copy. Enquiries with remittance should be sent to Post Sales Department, IPC Magazines Ltd., Lavington House, 25 Lavington Street, London SE1 0PF. In the event of non-availability remittances will be returned.

Binders to hold one volume (12 issues) are available from the above address for £5.50 inclusive of postage and packing world-wide.

Photostats of articles published in the last five years are available from the editorial office (Everyday Electronics, IPC Magazines Ltd., Westover House, West Quay Road, Poole, Dorset BH15 1JG) for £1 per article or part of a series. Please state article required, the issue (year and month) of publication and enclose a cheque or postal order—do not enclose other correspondence. The cost includes postage, etc.



PCB SERVICE

Printed circuit boards for certain EE constructional projects are now available from the EE PCB Service, see list. These are fabricated in glass-fibre, and are fully drilled and roller tinned. All prices include VAT and postage and packing. Add £1 per board for overseas airmail. Remittances should be sent to: EE PCB Service, Everyday Electronics Editorial Offices, Westover House, West Quay Road, Poole, Dorset BH15 1JG. Cheques should be crossed and made payable to IPC Magazines Ltd.

Please note that when ordering it is important to give project title as well as order code. Please print name and address in Block Caps. Do not send any other correspondence with your order.

Readers are advised to check with prices appearing in the current issue before ordering.

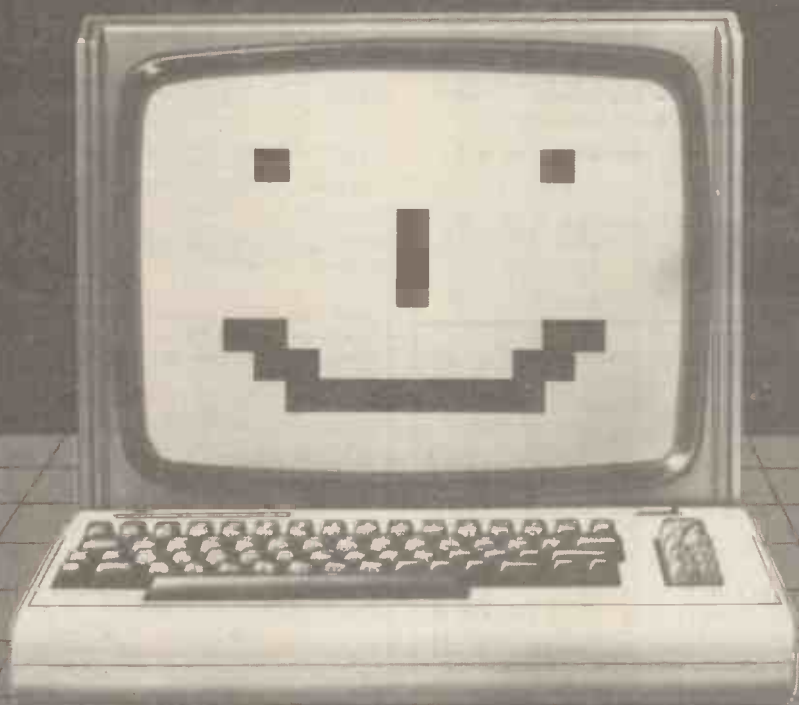
NOTE: Please allow 28 days for delivery. We can only supply boards listed here.

PROJECT TITLE	Order Code	Cost
— JULY '83 —		
User Port Input/Output <i>M.I.T. Part 1</i>	8307-01	£4.82
User Port Control <i>M.I.T. Part 1</i>	8307-02	£5.17
— AUGUST '83 —		
Storage Scope Interface, BBC Micro	8308-01	£3.20
Car Intruder Alarm	8308-02	£5.15
High Power Interface <i>M.I.T. Part 2</i>	8308-03	£5.08
Pedestrian Crossing Simulation <i>M.I.T. Pt 2</i>	8308-04	£3.56
Electronic Die	8308-05	£4.56
— SEPTEMBER '83 —		
High Speed A-to-D Converter <i>M.I.T. Pt 3</i>	8309-01	£4.53
Signal Conditioning Amplifier <i>M.I.T. Pt 3</i>	8309-02	£4.48
Stylus Organ	8309-03	£6.84
Distress Beacon	*8309-04	£5.36
Distress Beacon Pocket Version	8309-05	£3.98
— OCTOBER '83 —		
D-to-A Converter <i>M.I.T. Part 4</i>	8310-01	£5.77
High Power DAC Driver <i>M.I.T. Part 4</i>	8310-02	£5.13
Electronic Pendulum	8310-03	£5.43
— NOVEMBER '83 —		
TTL/Power Interface for Stepper Motor <i>M.I.T. Part 5</i>	8311-01	£5.46
Stepper Motor Manual Controller <i>M.I.T. Part 5</i>	8311-02	£5.70
Digital Gauss Meter	8311-03	£4.45
Speech Synthesiser for BBC Micro	8311-04	£3.93
Car On/Off Touch Switch	8311-05	£3.11
— DECEMBER '83 —		
4-Channel High Speed ADC (Analogue) <i>M.I.T. Part 6</i>	8312-01	£5.72
4-Channel High Speed ADC (Digital) <i>M.I.T. Part 6</i>	8312-02	£5.29
TRS-80 Twin Cassette Interface	8312-03/09	£7.43
Environmental Data Recorder	8312-04	£7.24
Touch Operated Die (Dot matrix)	8312-05/06	£4.34
Touch Operated Die (7-segment)	8312-05/07	£4.34
Continuity Tester	8312-08	£3.41
— JANUARY '84 —		
Central Heating Pump Delay	8401-01	£3.33
Biological Amplifier <i>M.I.T. Part 7</i>	8401-02	£6.27
Temp. Measure & Control for ZX Compr Analogue Thermometer Unit	8401-03	£2.35
Analogue-to-Digital Unit	8401-04	£2.56
Games Scoreboard	8401-06/07	£9.60
— FEBRUARY '84 —		
Eprom Programmer/ROM Card for ZX81	**8402-01	£7.84
Oric Port Board <i>M.I.T. Part 8</i>	8402-02	£9.56
Negative Ion Generator	*8402-03	£8.95
Temp. Measure & Control for ZX Compr Relay Driver	8402-04	£3.52

*Complete set of boards. **Calibrated with C1, VR1 and IC3 fitted.
M.I.T.—Microcomputer Interfacing Techniques, 12-Part Series.

— MARCH '84 —		
Latched Output Port <i>M.I.T. Part 9</i>	8403-01	£5.30
Buffered Input Port <i>M.I.T. Part 9</i>	8403-02	£4.80
VIC-20 Extension Port Con. <i>M.I.T. Part 9</i>	8403-03	£4.42
CBM 64 Extension Port Con. <i>M.I.T. Part 9</i>	8403-04	£4.71
Digital Multimeter Add-On for BBC Micro	8403-05	£4.63
— APRIL '84 —		
Multipurpose Interface for Computers	8404-01	£5.72
Data Acquisition "Input" <i>M.I.T. Part 10</i>	8404-02	£5.20
Data Acquisition "Output" <i>M.I.T. Part 10</i>	8404-03	£5.20
Data Acquisition "PSU" <i>M.I.T. Part 10</i>	8404-04	£3.09
Timer Module	8404-05	£3.58
A.F. Sweep Generator	8404-06	£3.55
Quasi Stereo Adaptor	8404-07	£3.56
— MAY '84 —		
Simple Loop Burglar Alarm	8405-01	£3.07
Computer Controlled Buggy <i>M.I.T. Part 11</i>	8405-02	£5.17
Interface/Motor Drive	8405-03	£3.20
Collision Sensing	8405-04	£4.93
Power Supply		
— JUNE '84 —		
Infra-Red Alarm System	8406-01	£2.55
Spectrum Bench PSU	8406-02	£3.99
Speech Synthesiser <i>M.I.T. Part 12</i>	8406-03	£4.85
Train Wait	8406-04	£3.42
— JULY '84 —		
Ultrasonic Alarm System	8407-01	£4.72
Electronic Code Lock		
Main board	8407-03	£2.70
Keyboard	8407-04	£3.24
— AUGUST '84 —		
Microwave Alarm System	8408-01	£4.36
Temperature Interface—BBC Micro	8408-02	£2.24
— SEPTEMBER '84 —		
Op-Amp Power Supply	8409-01	£3.45
— OCTOBER '84 —		
Micro Memory Synthesiser	*8410-01	£8.20
Drill Speed Controller	8410-04	£1.60
— NOVEMBER '84 —		
BBC Audio Storage Scope Interface	8411-01	£2.90
Proximity Alarm	8411-02	£2.65
— DECEMBER '84 —		
TV Aerial Pre-Amp	*8412-01	£1.60
Digital Multimeter	*8412-02/03	£5.20
Mini Workshop Power Supply	8412-04	£2.78
— JANUARY '85 —		
Power Lighting Interface	8501-01	£8.23
Games Timer	8501-02	£1.86
Spectrum Amplifier	8501-03	£1.70
— FEBRUARY '85 —		
Solid State Reverb	8502-01	£3.68
Computerised Train Controller	8502-02	£3.38
— MARCH '85 —		
Model Railway Points Controller	8503-01	£2.78
— APRIL '85 —		
Insulation Tester	8504-02	£2.53
Fibrealarm	8504-03	£3.89
— MAY '85 —		
Auto Phase	8505-01	£3.02
Amstrad CPC464 Amplifier		
Mains Unit	8505-02	£2.56
Micro Unit	8505-03	£2.56
Voltage Probe	8505-04	£2.67
— JUNE '85 —		
Graphic Equaliser	8506-01	£3.21
Computerised Shutter Timer	8506-02	£2.09
Mono-Bi-Astables (Experimenters Test Bed)	8506-03	£2.45
Across The River	8506-04	£2.63

MAKE A GOOD FRIEND OF YOUR MICRO



Are you feeding it the right sort of software? Otherwise you won't be getting the service you deserve. See **SOFTWARE INDEX** for the info and data you need on the full range of programs now available for these five top micros.

**BBC COMMODORE 64 SPECTRUM
AMSTRAD CPC 464 MSX MACHINES**

**OVER
4,000
PROGRAMS**

The most comprehensive guide to software programs.

SOFTWARE INDEX

No. 6 OUT NOW £2.00

GAMES • EDUCATIONAL • BUSINESS • PERSONAL MANAGEMENT • UTILITY • MISCELLANEOUS

EVERYDAY ELECTRONICS AT YOUR

and computer PROJECTS

Reach effectively and economically to-days enthusiasts anxious to know of your through our semi-display and classified pages. Semi-display spaces may be booked at timetre (minimum 2.5cm). The prepaid rate for classified advertisements is 33 pence per word number 60p extra. All cheques, postal orders, etc., to be made payable to Everyday Electronics crossed "Lloyds Bank Ltd." Treasury notes should always be sent registered post. Advertisement, should be sent to the Classified Advertisement Department, Everyday Electronics and 2612, IPC Magazines Limited, King's Reach Tower, Stamford St., London SE1 9LS. (Telephone

Receivers & Components

INTEGRATED CIRCUITS. Texas Instruments top specification devices at a price well below any other supplier. Available as follows: 7400, 7402, 7420, 7428, 7440, 7451, 7474, 7486. Price 10 (one type) for £1.00. Add 50p postage. Don't be without a copy of our 52 page catalogue crammed with thousands of Electrical and Mechanical bargains 75p. J. A. Crewe & Co., Spinney Lane, Aspley Guise, Milton Keynes.

TURN YOUR SURPLUS capacitors, transistors, etc., into cash. Contact Coles Harding & Co., 103 South Brink, Wisbech, Cambs. 0945-584188. Immediate settlement.

PRINTED CIRCUIT BOARDS made to own personal requirements. Send for details. B. M. Ansbro, 38 Poynings Drive, Hove, Sussex BN3 8GR.

RESISTORS 1,000 MIXED 1/8w, 1/4w, 1/2w, 2%, 5%, 10%, C. Film £3.45 inc. P&P. D. J. Hooker, Romney Marsh Electronics, Pennywood Clark Road, Romney Marsh, Kent TN28 8PB.

SCHOOLS AND COLLEGES. Send now for our 1985 catalogue; top quality components at trade prices to: Electron Electronics, 62 High Street, Croydon, Surrey CR0 1NA.

VERY LARGE PACK OF MIXED COMPONENTS. Capacitors, transistors, resistors, diodes, boards, thyristors, multi-pin plugs & sockets and many more items £6.50p post & packing inclusive. G. EVANS, 7 Mendip Close, Pendine Park, Summerhill, Wrexham, Clwyd.

Wanted

WANTED. Ex telephone exchange equipment, uni-selector, relays, etc. Scrapped or non-working P.A.B.X. preferred. Can collect. Waterlooville 0705 261646 any time.

Service Sheets

BELL'S TELEVISION SERVICE for service sheets on Radio, TV etc. £1.50 plus SAE. Service Manuals on Colour TV and Video Recorders, prices on request. SAE with enquiries to: BTS, 190 King's Road, Harrogate, N. Yorkshire. Tel: 0423 55885.

FULL SIZE TOP QUALITY Service Sheets £2.50 + l.s.a.e. CTV/Music centres £3.50 + l.s.a.e. Repair data almost any named TV/video £10.50 in circuits. L.s.a.e. brings any quite-free magazine/pricelists. TISEE, 76 Churches, Larkhall, Lanarkshire. Tel. 0698 883334.

Books & Publications

OPTOELECTRONICS DATA BOOK from Texas Instruments £5.00 post free. SAE for full list of Texas and other data books at lowest prices. Agents for leading technical publications - write or phone for quotation. MG Books, 24a Newgate, Barnard Castle, County Durham DL12 8NG. Tel. (0833) 31130.

BACK ISSUES. E.E. March 1976 to March 1985 £75 o.n.o. Also - electronic books. Tel. Peter Nelson (01) 671 1801 (day).

Software

ADVANCED COMPUTER TAPES FOR THE ZX SPECTRUM 48k

1. Dialogue tape uses a very modern artificial intelligence using specially developed codes which tie together over 2000 words.
2. Electronics design tape. Input is a basic specification in parts and output is a complete circuit diagram. Very adaptable.

Cost (inc p/p) is £10.00 each
CWO to: N J Edwards, 68 Woodhill Rise,
COSTESSEY, Norwich NR5 0DW

Security

SECURITY Alarm Systems

FREE COMPREHENSIVE CATALOGUE!

- LOWEST DISCOUNT PRICES
- HIGHEST QUALITY EQUIPMENT
- FREE DIY DESIGN GUIDE
- FULLY ILLUSTRATED
- MICROCHIP CIRCUITRY
- QUICK DESPATCH SERVICE
- FULL INSTRUCTIONS

SEND SAE OR PHONE

C-TEC SECURITY, Dept EE.

Unit 1 Stephensway Ind Estate Goose Green
Wigan WN3 6PH Telephone (0942) 42444

Trade Enquiries Welcome

Miscellaneous

LEARN ELECTRONICS WITHOUT SOLDER

Built electronic circuits without solder on a Roden S-Dec. This has built-in contacts and holes into which you plug your components. Suitable for all ages. Can be used time after time. Ideal gift for students or experiments. Full instructions and 2 circuit diagrams with each S-Dec.

Send Cheque or P.O. to:
Roden Products, Dep EE
High March, Daventry,
Northants, NN11 4DE.

£5.25 including p & p

ORDER FORM PLEASE WRITE IN BLOCK CAPITALS

Please insert the advertisement below in the next available issue of **Everyday Electronics** for Insertions. I enclose Cheque/P.O. for £
(Cheques and Postal Orders should be crossed Lloyds Bank Ltd. and made payable to Everyday Electronics)

HEADING REQUIRED:

NAME

ADDRESS

EVERYDAY ELECTRONICS and COMPUTER PROJECTS

Classified Advertisement Dept., Room 2612,
King's Reach Tower, Stamford Street, London SE1 9LS
Telephone 01-261 5942

Rate: 33p per word, minimum 12 words. Box No. 60p extra.

Company registered in England. Registered No. 53626. Registered Office: King's Reach Tower, Stamford Street, London SE1 9LS.

6/85

SERVICE

products and services £7.80 per single column cent (minimum 12 words), box and Computer Projects and ments, together with remit-Computer Projects, Room 01-261 5846).

Miscellaneous Cont.

3 STATE TTL LOGIC PROBE

Ready to use in durable moulded plastic case complete with lead and crock clips to connect to 5v supply on board under test.

Three colour LED display shows high, low or intermediate logic levels up to 1 Mgz. Suitable for fault finding in most digital applications.

Excellent value from £14.50 + 50p p.&p.
Cheque/P.O. 10:

LYONS ELECTRONICS

23 Langtoft Road, Stroud, Gloucestershire

THE SCIENTIFIC WIRE COMPANY

811 Forest Road, London E17. Telephone 01-531 1568

ENAMELLED COPPER WIRE

SWG	1 lb	8 oz	4 oz	2 oz
8 to 34	3.63	2.09	1.10	0.88
35 to 39	3.82	2.31	1.27	0.93
40 to 43	6.00	3.20	2.25	1.61
44 to 47	8.67	5.80	3.49	2.75
48	15.96	9.58	6.38	3.69

SILVER PLATED COPPER WIRE

14 to 30	9.09	5.20	2.93	1.97
----------	------	------	------	------

TINNED COPPER WIRE

14 to 30	3.97	2.41	1.39	0.94
----------	------	------	------	------

Fluxcore 5.90 3.25 1.82 0.94

Solder 5.90 3.25 1.82 0.94

Prices include P&P VAT. Orders under £2 add 20p.

SAE for list of copper and resistance wire.

Dealer enquiries welcome.

Tuition

IMPROVE YOUR PROSPECTS

with skills that employers want - learn the easy way with modern home study courses from Ideal Schools.

MODERN ELECTRONICS

Train for success in the fastest ever growing industrial sector.

COMPUTER PROGRAMMING

The demand for Programmers is increasing constantly - don't miss out!

For free booklet write today to



VISTA CREST COLLEGE

Home Tuition Courses In:

* 'O' and 'A' level Computing/Electronics/Mathematics

* Business Computing

* Programming/Operating Systems

We are a private, independent College offering high quality specialist tuition in the above subjects. A variety of teaching methods is available including correspondence and personal and group tuition at your home or premises - or here at the College - to suit your requirements.

Enrolling now for Sept. '85.

Send for full prospectus to:

Stewart Fleming, M.Sc., B.Sc. (Principal),
Vista Crest College, 11 Highlands Close,
Bexhill-on-Sea, East Sussex TN39 5HP.
Telephone Bexhill (0424) 216882

* BAKER *

GROUP P.A. DISCO
AMPLIFIERS post £2

150 watt Output, 4 input Mixer pre-amp. Illustrated £99
150 watt Output, Slave 500 mv. input 4+8-16 ohm £80
150+150 watt Stereo, 300 watt Mono Slave 500 mv. Inputs £125
150 watt P.A. Vocal, 8 inputs. High/Low Mixer Echo Socket. £129
100 watt Valve Model, 4 inputs, 5 Outputs. Heavy duty £125
60 watt Mobile 240v AC and 12v DC. 4-8-16 ohm+100v line £89
MIKES Dual Imp £20, Floor Stand £13, Boom Stand £22, PP £2.
Reverb Unit for Microphone or Musical Instruments £35 PP £1.
Electronic Echo Machine for mic/etc. £85. Deluxe £95 PP £1.
H+H AMPLIFIERS 500W stereo "Reconditioned" £275 PP £5.

BAKER LOUSPEAKERS

Type	Model	Size	Watts	Ohms	Price
P.A./Disco/Group	DG50/10	10	50	8/16	£18.00
Midrange	Mid 100/10	10	100	8	£25.00
Hi-Fi	Major	12in	30	4/8/16	£16.00
Hi-Fi	Superb	12in	30	8/16	£25.00
P.A./Disco/Group	DG45	12in	45	4/8/16	£16.00
Hi-Fi	Woofer	12in	80	8	£25.00
Hi-Fi	Auditorium	15in	60	8/16	£37.00
P.A./Disco/Group	DG75	12in	75	4/8/16	£20.00
P.A./Disco/Group	DG100	12in	100	8/16	£26.00
P.A./Disco/Group	DG100/15	15in	100	8/16	£35.00

DISCO CONSOLE Twin Decks, mixer pre amp £145, Carr £10.
Ditto Powered 120 watt £199; or Complete Disco 120 watts £300.
150 watt £360; 360 watt £410. Carr £30.

DISCO MIXER 240V, 4 stereo channels, 2 magnetic, 2 ceramic/
taps, 1 mono mic channel, twin v.u. meters, headphone monitor
outlet, slider controls, panel or desk mounting, matt black fascia.
Tape output facility. £59. Post £1.

DELUXE STEREO DISCO MIXER/EQUALISER as above plus L.E.D.
V.U. displays, 5 band graphic equaliser, left/right fader, switchable
inputs for phone/line, mike/line.

Headphone Monitor, Mike Talkover Switch £129 PP £2

As above but 3 deck inputs, 4 line/aux inputs, 2 mic inputs, 2
headphone monitors £145.

P.A. CABINETS (empty) Single 12 £34; Double 12 £40, carr £10.
WITH SPEAKERS 45W £52; 75W £56; 90W £75; 150W £84
HORNBOXES 200 Watt £32, 300 Watt £38. Post £4.

WATERPROOF HORNS 8 ohms. 25 watt £20. 30 watt £23. 40 watt £29.
20W plus 100 volt line £38. Post £1.

MOTOROLA PIEZO ELECTRONIC HORN METER, 3/4in square £5

100 watts. No crossover required. 4-8-16 ohm, 7/4x3/8in £10

CROSSOVERS TWO-WAY 3000 c/s 30 watt £3. 60 watt £5. 100 watt £6.

3 way 950 cps/3000 cps. 40 watt rating. £4. 60 watt £6.50. 100 watt £10.

LOUDSPEAKER BARGAINS. Please enquire, many others in stock.

4 ohm, 5in. 7x4in. £2.50; 6 1/2in. 8x5in. £3.8in. £3.50. 6 1/2in. 25W £7.50

8 ohm, 2 1/2in. 3in. £2; 5x3in. 6x4in. 7x4in. 5in. £2.50. 6 1/2in. 8x5in. £3.8in.

£4.50. 10in. £5. 12in. £6. 8in. 25W £6.50. 8 in Twin Cone 60w £12.50.

15 ohm, 2 1/2in. 3 1/2in. 5x3in. 6x4in. £2.50. 6 1/2in. 10W £5. 8in. £4. 10in. £7.

25 ohm, 3in. £2; 5x3in. 6x4in. 7x4in. £2.50. 12in. 100 ohm. 3 1/4in. dia. £2.

Make	Model	Size	Watts	Ohms	Price	Post
AUDAX	WOOFER	5 1/2in	25	8	£10.50	£1
GOODMANS	HIFAX	7 1/2x4 1/4in	100	8	£34	£2
GOODMANS	HB WOOFER	8in	60	8	£13.50	£1
WHARFEDALE	WOOFER	8in	30	8	£3.50	£2
CELESTION	DISCO/Group	10in.	50	8/16	£21	£2
GOODMANS	HPG/Group	12in	120	8/15	£30	£2
GOODMANS	HPD/DISCO	12in.	120	8/15	£30	£2
H+H	DISCO/BASE	15in.	100	4/8/16	£44	£3
GOODMANS	HP/BASS	15in.	250	8	£72	£4
GOODMANS	HPD/BASS	18in.	230	8	£84	£4

METAL GRILLES 8in £3, 10in £3.50, 12in £4.50, 15in £5.50, 18in £7.50.

R.C.S. DISCO LIGHTING EQUIPMENT

READY BUILT DELUXE 4 CHANNEL 4,000 WATT sound chaser +
speed + programme controls £69. Mk2 16 programs, £89 PP £2.

PARTY LIGHT 4 coloured Flood Lamps Flashing to Music.
Self-contained Sound to Light 410 x 196 x 115 £34.95 PPF£2.

MAINS TRANSFORMERS

Price Post

250-0-250V 80mA. 6.3V 3.5A. 6.3V 1A. £7.00 £2

350-0-350V 250mA. 6.3V 6A CT £12.00 £2

250V 60mA. 6.3V 2A. £5.00 £1

220V 25mA. 6V 1 Amp £3.00 220V 45mA. 6V 2 Amp £4.00 £1

Low voltage tapped outputs available

1 amp 6, 8, 10, 12, 16, 18, 20, 24, 30, 36, 40, 48, 60 £6.00 £2

ditto 2 amp £10.50 3 amp £12.50 5 amp £16.00 £2

31-26-0-26-31 volt 6 amp £14.00 £2

LOW VOLTAGE MAINS TRANSFORMERS £5.50 each post paid

9V, 3A; 12V, 3A; 16V, 2A; 20V, 1A; 30V, 1 1/2A; 30V, 5A+10-0-17-17V,
2A; 35V, 2A; 20-40-60V, 1A; 12-0-12V, 2A; 20-0-20V, 1A; 50V, 2A.

£8.50 post 50p MINI-MULTI TESTER

Pocket size instrument. AC/DC volts, 15-150-500-1000.

DC current 0-150mA. Resistance 0-100K 1000 ohm p.p.v.

De-Luxe Range Doubler Meter, 50,000 ohm p.p.v. 7 x 5 x
2in. Resistance 0/20 meg in 5 ranges. Current 50mA to
10A. Volts 0.25/1000V DC, 10v/1000V AC. £25.00 PP £1

PANEL METERS 50mA, 100mA, 500mA, 1mA, 5mA, 100mA, 500mA

1 amp, 2 amp, 5 amp, 25 volt, VU 2 1/4x2 1/4in. £5.50 post 50p

ALUMINIUM PANELS 18 s.w.g. 12 x 12in. £1.80; 14 x 9in. £1.75;

6 x 4in. 5sp; 12 x 8in. £1.30; 10 x 7in. 9sp; 8 x 6in. 9sp; 14 x 3in.
7sp; 12 x 5in. 9sp; 16 x 10in. £2.10; 16 x 6in. £1.30.

ALUMINIUM BOXES. MANY OTHER SIZES IN STOCK

4 x 2 1/2 x 2in. £1.20; 3 x 2 x 1in. £1; 6 x 4 x 2in. £1.90; 8 x 6 x 3
in. £3; 12 x 5 x 3in. £3.60; 6 x 4 x 3in. £2.20; 10 x 7 x 3in. £3.60

HIGH VOLTAGE ELECTROLYTICS 20+20/350V 75p

16/450V 50p 220/400V £2 32+32/500V 75p

20/500V 75p 18+8/500V £1 32+32/350V 50p

32/350V 45p 8+16/450V 75p 32+32+32/450V £1.50

32/500V 95p 16+16/350V 75p 16+32+32/500V £2

SINGLE PLAY DECKS. Post £2.

Make Drive Model Cartridge Price

BSR Belt 12 volt Ceramic £20

BSR Belt P232 Magnetic £28

BSR Rim P207 Ceramic £210

AUTOCHANGER BSR Ceramic £20

AUTOCHANGER GARRARD Ceramic £24

DECCA TEAK VENEERED PLINTH space for small amplifier.
Board cut for BSR or Garrard 18 1/4in. x 14 1/4in. x 4in. £5. Post £1

TINTED PLASTIC COVERS for Decks, £5 each. Post £1

17 x 12 1/8 x 3 1/2in. 14 1/8 x 13 x 3 1/8 14 1/2 x 13 1/8 x 2 1/4in.
22 1/8 x 13 1/8 x 3in. 30 3/4 x 13 1/8 x 3 1/4in. 21 x 13 1/8 x 4 1/2in.
18 1/4 x 12 1/2 x 3in. 21 1/2 x 14 1/4 x 2 1/2in.

RADIO COMPONENT SPECIALISTS

Dept 4, 337, WHITEHORSE ROAD, CROYDON
SURREY, U.K. TEL: 01-684 1665

Post 65p Minimum. Callers Welcome.

Full Lists 34p Stamps. Same day despatch. Credit Wed.

It's easy
to complain
about
advertisements.
But which
ones?

Every week millions
of advertisements appear
in print on posters or in
the cinema.

Most of them comply
with the rules contained
in the British Code of
Advertising Practice.

But some of them
break the rules and
warrant our complaints.

If you're not sure
about which ones they
are, however, drop us a
line and we'll send you
an abridged copy of the
Advertising Code.

Then, if an
advertisement bothers
you, you'll be justified in
bothering us.

The Advertising
Standards Authority.
If an advertisement
is wrong,
we're here to put it right.

ASA Ltd, Dept 2 Brook House,
Torrington Place,
London WC1E 7HN

This space is donated in the interests
of high standards of advertising.

TELEVISION/COMPUTER FULL-TIME TRAINING

(FULL TIME COURSES APPROVED BY THE BUSINESS & TECHNICIAN
EDUCATION COUNCIL)

2 YEAR
BTEC National Diploma (OND)
**ELECTRONIC &
COMMUNICATIONS ENGINEERING**
(Electronics, Computing, Television, Video, Testing & Fault Diagnosis)

15 MONTHS
BTEC National Certificate (ONC)
ELECTRONIC EQUIPMENT SERVICING
(Electronics, Television, Video Cassette Recorders, CCTV, Testing & Fault Diagnosis)

15 MONTHS
BTEC National Certificate (ONC)
COMPUTING TECHNOLOGY
(Electronics, Computing Software/Hardware, Microelectronic Testing Methods)

9 MONTHS
BTEC Higher National Certificate (HNC)
COMPUTING TECHNOLOGY & ROBOTICS
(Microprocessor Based Systems, Fault Diagnosis, ATE, Robotics)

THESE COURSES INCLUDE A HIGH PERCENTAGE OF COLLEGE BASED
PRACTICAL WORK TO ENHANCE FUTURE EMPLOYMENT PROSPECTS

SHORTENED COURSES OF FROM 3 TO 6 MONTHS CAN BE ARRANGED FOR
APPLICANTS WITH PREVIOUS ELECTRONICS KNOWLEDGE

NEXT TWO SESSIONS COMMENCE ON
APRIL 22nd & SEPTEMBER 16th

FREE PROSPECTUS FROM

LONDON ELECTRONICS COLLEGE (Dept EE)
20 PENYWERN ROAD, EARLS COURT,
LONDON SW5 9SU. Tel: 01-373 8721.

SPEED CONTROL KIT FOR MINI-DRILLS Includes completely assembled control unit in smart box with room for transformer. The only connections to make are 2 wires to a suitable transformer. The control unit will handle 2A continuous, 3A intermittent. £4.50

Suitable transformer for above, 15V, 1A continuous, 1.5 intermittent. For smaller type drill. £2.90 Brand new stock. The complete controller is advertised by major manufacturer for over £20!

RESISTOR FILLS In box containing 73 pkts of 10 each 5% 1/4W carbon film resistors. Continuous E12 range, from 10 Ohm to 10 M Ohm. £8.50

D.C. RELAYS P.C.B. MOUNTING 21x18x16mm, 1A contacts 2 pole c/o 3V 27R or 9V 170R or 12V 300R £1.60 each, any 4 for £5.00

AA-HP7 size NI-CADS. Pack of 4 £1.50. Ex-equipment but tested & guaranteed. 4 pack £5.00

PRECISION THERMISTORS. Glass encapsulated. 6 types, any mix for £2.50. Resistance at 20 degrees C 5M0, 1M0, 300K, 200K, 100K and 1K0

BUTTON TYPE BATTERIES 1.5 volt. For watches, cameras, etc. 4 types any mix £1.50. AG13-11.58 dia x 5.4mm, AG12-11.8 dia x 4.2mm, LR41-8.5 dia x 3.5mm, AG10-11.58 dia x 3mm. Any 8 for £2.50

MAINS TRANSFORMERS 240V pri. Sec. 24V c/t gives 0.2A d.c. at 12V £1.00 each. Sec. 115V at 1Amp £3.70 each. Sec. 20V-0-20V gives 0.8A d.c. at 20V £2.90 each

ELECTRET MIC. INSERTS only 9mm dia x 6mm very sensitive with integral amp. Require normal 1.5V £1.10 each or 6 for £5.00

Please add 80 P&P

CROYDON DISCOUNT ELECTRONICS
40 Lower Addiscombe Road, Croydon CR0 6AA

1/2 PRICE LCD DMM WITH CARRY CASE

EXCLUSIVE WHILE STOCKS LAST

3 1/2 DIGIT 26 RANGE

AUTO ZERO AUTO POLARITY

AC/DC 10 AMPS TEST LEADS,

CARRY CASE, BATTERY & INSTRUCTIONS

5 ranges AC/DC volts 5 ranges AC/DC current

6 ranges Resistance to 20 meg ohms

Size: 161 x 87 x 25mm

AUDIO ELECTRONICS

301 Edgware Road, London,
W2 1BN 01-724 3564

£33.95
INC. VAT

List price £71.30

(UK C/P & ins. 85p)

Allow 10 days for delivery

ORDER BY POST OR PHONE OR CALL IN OPEN 6 DAYS A WEEK



Cirkit Out Now! Out Now! Cirkit

ELECTRONIC COMPONENTS CATALOGUE

Over 4,000 different items

- ★ Available from leading newsagents throughout the country
- ★ Many new products including a range of computer add-ons, calculators, soldering irons, plus new tools, kits and modules.
- ★ Innovative new kits . . . Heart rate monitor . . . weather satellite receiver

BUY IT NOW!

Cirkit Holdings PLC Park Lane Broxbourne Hertfordshire EN10 7NQ Telephone: Hoddesdon (0992) 444111

CRICKLEWOOD

ELECTRONICS LTD

It's no secret!

... that there is a real difference at Cricklewood Electronics. That's why you should never be without the FREE CRICKLEWOOD ELECTRONICS COMPONENTS CATALOGUE, for sheer variety, competitive prices and service from the U.K.'s number one 100% component shop. No gimmicks, no gadgets or computers, just components, millions of them, all easily available by mail order, calling or credit card telephone orders. Just pick up the phone (or a pen) to get your FREE copy now (no SAE required). You have nothing to lose.

CRICKLEWOOD ELECTRONICS LTD.
40 Cricklewood Broadway NW2 3ET.
01-450 0995 & 01-452 0161
ALL MAJOR CREDIT CARDS ACCEPTED
Telex 914377 Phone or write today



EE6

INDEX TO ADVERTISERS

AB Microsystems	299	ICS Intertext	298
Bib Audio Video	313	Ideal Schools	351
BK Electronics	Cover III	London Electronics College	352
B.N.R.E.S.	313	Lyons Electronics	351
Bull, J.	Cover II	Magenta Electronics	302
Cambridge Learning	300	Maplin Electronics	Cover IV
Cirkit Holdings	352	Marco Trading	299
Compytronics	350	N.J. Edwards	350
Cricklewood Electronics	352	Radio Component Specialists	351
Croydon Discount Electronics	352	Rapid Electronics	301
Electrovalue	313	Riscomp Ltd.	343
Film Service	333	Roden Products	350
Grandata Ltd.	298	Scientific Wire	351
Greenweld	298	Software Index	349
Henry's	352	T.K. Electronics	300
		Vista Cress College	351

Published on approximately the 7th of each month by IPC Magazines Limited, Westover House, West Quay Road, Poole, Dorset BH15 1JG. Printed in England by McCorquodale Magazines Ltd., Andover, Hants. sole Agents for Australia and New Zealand - Gordon and Gotch (Asia) Ltd.; South Africa - Central News Agency Ltd. Subscriptions INLAND £13 and OVERSEAS £15 payable to IPC Magazines Ltd., "Everyday Electronics" Subscription Department, Room 2816, King's Reach Tower, Stamford Street, London SE1 9LS. EVERYDAY ELECTRONICS is sold subject to the following conditions, namely that it shall not, without the written consent of the Publishers first having been given, be lent, resold, hired out or otherwise disposed of by way of Trade at more than the recommended selling price shown on the cover, and that it shall not be lent, resold, hired out or otherwise disposed of in a mutilated condition or in any unauthorised cover by way of Trade or affixed to or as part of any publication or advertising, literary or pictorial matter whatsoever.

OMP POWER AMPLIFIER MODULES

OMP POWER AMPLIFIER MODULES

Now enjoy a world-wide reputation for quality, reliability and performance at a realistic price. Four models available to suit the needs of the professional and hobby market, i.e. Industry, Leisure, Instrumental and Hi-Fi, etc. When comparing prices, NOTE all models include Toroidal power supply, integral heat sink, Glass fibre P.C.B. and Drive circuits to power compatible Vu meter. Open and short circuit proof.

Supplied ready built and tested.



OMP100 Mk II Bi-Polar Output power 110 watts R.M.S. into 4 ohms. Frequency Response 15Hz - 30KHz -3dB, T.H.D. 0.01%, S.N.R. -118dB, Sens. for Max. output 500mV at 10K, Size 360 X 115 X 72mm. PRICE £32.99 + £2.50 P&P.



OMP/MF100 Mos-Fet Output power 110 watts R.M.S. into 4 ohms. Frequency Response 1Hz - 100KHz -3dB, Damping Factor 80, Slew Rate 45V/uS, T.H.D. Typical 0.002%, Input Sensitivity 500mV, S.N.R. -125dB, Size 300 X 123 X 60mm. PRICE £39.99 + £2.50 P&P.



OMP/MF200 Mos-Fet Output power 200 watts R.M.S. into 4 ohms. Frequency Response 1Hz - 100KHz -3dB, Damping Factor 250, Slew Rate 50V/uS, T.H.D. Typical 0.001%, Input Sensitivity 500mV, S.N.R. -130dB, Size 300 X 150 X 100mm. PRICE £62.99 + £3.50 P&P.



OMP/MF300 Mos-Fet Output power 300 watts R.M.S. into 4 ohms. Frequency Response 1Hz - 100KHz -3dB, Damping Factor 350, Slew Rate 60V/uS, T.H.D. Typical 0.0008%, Input Sensitivity 500mV, S.N.R. -130dB, Size 330 X 147 X 102mm. PRICE £79.99 + £4.50 P&P.



Vu METER Compatible with our four amplifiers detailed above. A very accurate visual display employing 11 L.E.D. diodes (7 green, 4 red) plus an additional on/off indicator. Sophisticated logic control circuits for very fast rise and decay times. Tough moulded plastic case, with tinted acrylic front. Size 84 X 27 X 45mm. PRICE £8.50 + 50p P&P.

NOTE: Mos-Fets are supplied as standard (100KHz bandwidth & Input Sensitivity 500mV). If required, P.A. version (50KHz bandwidth & Input Sensitivity 775mV). Order - Standard or P.A.



19" RACK CASED MOS-FET STEREO AMPLIFIERS with twin power supplies and L.E.D. Vu meters plus X.L.R. connectors. Three models (Ratings RMS into 4 ohms): MF200 (100 + 100w) £169.00, MF400 (200 + 200w) £228.85, MF600 (300 + 300w) £274.85. Securlock Delivery £10.00.

LOUDSPEAKERS

5 to 15 INCH Up to 300 WATTS R.M.S. All speakers 8 ohm Impedance.



POWER RANGE

8" 50 WATT R.M.S. Hi-Fi/Disco.
20 oz. magnet. 1 1/2" ally voice coil. Ground ally fixing escutcheon. Res. Freq. 40Hz. Freq. Resp. to 6KHz. Sens. 92dB. PRICE £10.99. Available with black grille £11.99. P&P £1.50 ea.
12" 100 WATT R.M.S. Hi-Fi/Disco.
50 oz. magnet. 2" ally voice coil. Ground ally fixing escutcheon. Die-cast chassis. White cone. Res. Freq. 25Hz. Freq. Resp. to 4KHz. Sens. 95dB. PRICE £28.60 + £3.00 P&P ea.
15" 100 WATT R.M.S. Hi-Fi/Disco.
50 oz. magnet. 2" ally voice coil. Ground ally fixing escutcheon. Die-cast chassis. White cone. Res. Freq. 20Hz. Freq. Resp. to 2.5KHz. Sens. 97dB. PRICE £37.49 + £3.00 P&P ea.

McKENZIE

12" 85 WATT R.M.S. C1285G Lead guitar/keyboards/Disco.
2" ally voice coil. Ally centre dome. Res. Freq. 45Hz. Freq. Resp. to 6.5KHz. Sens. 98dB. PRICE £24.99 + £3.00 P&P ea.
12" 85 WATT R.M.S. C1285TC P.A./Disco 2" ally voice coil, Twin cone.
Res. Freq. 45Hz. Freq. Resp. to 14KHz. PRICE £24.99 + £3.00 P&P ea.
15" 150 WATT R.M.S. C15 Bass Guitar/Disco.
3" ally voice coil, Die-cast chassis. Res. Freq. 40Hz. Freq. Resp. to 4KHz. PRICE £49.99 + £4.00 P&P ea.

WEM

5" 70 WATT R.M.S. Multiple Array Disco etc.
1" voice coil. Res. Freq. 52Hz. Freq. Resp. to 5KHz. Sens. 89dB. PRICE £20.00 + £1.50 P&P ea.
8" 150 WATT R.M.S. Multiple Array Disco etc.
1" voice coil. Res. Freq. 48Hz. Freq. Resp. to 5KHz. Sens. 92dB. PRICE £27.00 + £1.50 P&P ea.
10" 300 WATT R.M.S. Disco/Sound re-enforcement etc.
1 1/2" voice coil. Res. Freq. 35Hz. Freq. Resp. to 4KHz. Sens. 92dB. PRICE £30.00 + £2.00 P&P ea.
12" 300 WATT R.M.S. Disco/Sound re-enforcement etc.
1 1/2" voice coil. Res. Freq. 35Hz. Freq. Resp. to 4KHz. Sens. 94dB. PRICE £38.00 + £3.00 P&P ea.

SOUNDLAB (Full Range Twin Cone)

5" 60 WATT R.M.S. Hi-Fi/Multiple Array Disco etc.
1" voice coil. Res. Freq. 63Hz. Freq. Resp. to 20KHz. Sens. 86dB. PRICE £9.99 + £1.00 P&P ea.
6 1/2" 60 WATT R.M.S. Hi-Fi/Multiple Array Disco etc.
1" voice coil. Res. Freq. 56Hz. Freq. Resp. to 20KHz. Sens. 89dB. PRICE £10.99 + £1.50 P&P ea.
8" 60 WATT R.M.S. Hi-Fi/Multiple Array Disco etc.
1 1/2" voice coil. Res. Freq. 38Hz. Freq. Resp. to 20KHz. Sens. 89dB. PRICE £12.99 + £1.50 P&P ea.

PANTEC HOBBY KITS.

Proven designs including glass fibre printed circuit board and high quality components complete with instructions.

FM MICROTRANSMITTER (BUG) 90/105MHz with very sensitive microphone. Range 100/300 metres. 57 x 46 x 14mm (9 volt). Price: £8.62 + 75p P&P.
3 WATT FM TRANSMITTER 3 WATT 85/115MHz varicap controlled professional performance. Range up to 3 miles. 35 x 84 x 12mm (12 volt). Price: £13.74 + 75p P&P.
SINGLE CHANNEL RADIO CONTROLLED TRANSMITTER/RECEIVER 27MHz. Range up to 500 metres. Double coded modulation. Receiver output operates relay with 2amp/240 volt contacts. Ideal for many applications. Receiver 90 x 70 x 22mm (9/12 volt). Price: £17.82. Transmitter 80 x 50 x 15mm (9/12 volt). Price: £11.27 P&P + 75p each S.A.E. for complete list.



3 watt FM Transmitter

* PRICES INCLUDE V.A.T. * PROMPT DELIVERIES * FRIENDLY SERVICE * LARGE S.A.E. 28p STAMP FOR CURRENT LIST

BURGLAR ALARM

Better to be 'Alarmed' than terrified. Thandar's famous 'Minder' Burglar Alarm System. Superior microwave principle. Supplied as three units, complete with interconnection cable. FULLY GUARANTEED.

Control Unit - Houses microwave radar unit, range up to 15 metres adjustable by sensitivity control. Three position, key operated fascia switch - off - test - armed. 30 second exit and entry delay.
Indoor Alarm - Electronic swept freq siren. 104dB output.
Outdoor Alarm - Electronic swept freq siren. 98dB output. Housed in a tamper-proof heavy duty metal case.

Both the control unit and outdoor alarm contain rechargeable batteries which provide full protection during mains failure. Power requirement 200/260 Volt AC 50/60Hz. Expandable with door sensors, panic buttons etc. Complete with instructions.

SAVE £148.00 Usual Price £286.85

BKE's PRICE £79.99 + £4.00 P&P

Why buy a collection of self-assembly boards!

IDEAL for Workshops, Factories, Offices, Home, etc. Supplied ready built.



OMP LINNET LOUDSPEAKERS

The very best in quality and value. Made specially to suit today's need for compactness with high sound output levels. Finished in hard wearing black vinylite with protective corners, grille and carry handle. All models 8 ohms. Full Range 45Hz - 20KHz.

OMP 12/100 watts 20" X 15" X 12" £125.00 per pair

OMP 10/200 watts 18" X 15" X 11" £145.00 per pair

OMP 12/300 watts 20" X 15" X 11" £169.00 per pair

Delivery, Securicor £8.00 per pair



STEREO CASSETTE DECK



STEREO CASSETTE DECK

Ideal for installing into Disco and Hi-Fi cabinet/Consoles. Surface mounting (Horizontal). Supplied as one unit with all electronics including mains power supply.

- * Metal top panel Black finish
- * Piano type keys including pause
- * Normal/Chrome tape switch
- * Twin Vu Meters
- * 3 Digit counter

- * Slider Record Level control

Size 171 X 317 mm Depth 110 mm
PRICE £35.99 + £3.00 P&P

1 K-WATT SLIDE DIMMER

- * Control loads up to 1Kw
- * Compact Size 4 1/2" X 1" X 2 1/2"
- * Easy snap in fixing through panel/cabinet cut out
- * Insulated plastic case
- * Full wave control using 8 amp triac
- * Conforms to BS800

* Suitable for both resistance and inductive loads. Innumerable applications in industry, the home, and disco's, theatres etc. PRICE £12.99 + 75p P&P (Any quantity).

BSR P295 ELECTRONIC TURNTABLE

- * Electronic speed control 45 & 33 1/3 r.p.m.
- * Plus/Minus variable pitch control
- * Belt driven
- * Aluminium platter with strobed rim
- * Cue lever
- * Anti-skate (bias device)
- * Adjustable counter balance
- * Manual arm
- * Standard 1/2" cartridge fixings
- * Supplied complete with cut out template
- * D.C. Operation 9-14v D.C. 65mA

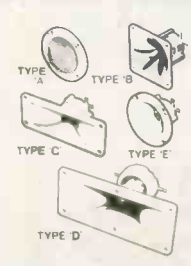
Price £36.99 - £3.00 P&P



ADC Q4 mag. cartridge for above. Price £4.99 ea. P&P 50p.

PIEZO ELECTRIC TWEETERS MOTOROLA

Join the Piezo revolution. The low dynamic mass (no voice coil) of a Piezo tweeter produces an improved transient response with a lower distortion level than ordinary dynamic tweeters. As a crossover it is not required these units can be added to existing speaker systems of up to 100 watts (more if 2 put in series) FREE EXPLANATORY LEAFLETS SUPPLIED WITH EACH TWEETER.



TYPE 'A' (KSN2036A) 3" round with protective wire mesh, ideal for bookshelf and medium sized Hi-Fi speakers. Price £5.39 each + 40p P&P.
TYPE 'B' (KSN1005A) 3 1/2" super horn. For general purpose speakers, disco and P.A. systems etc. Price £5.99 each + 40p P&P.
TYPE 'C' (KSN6016A) 2" X 5" wide dispersion horn. For quality Hi-Fi systems and quality discos etc. Price £6.99 each + 40p P&P.
TYPE 'D' (KSN1025A) 2" X 6" wide dispersion horn. Upper frequency response retained extending down to mid range (2KHz). Suitable for high quality Hi-Fi systems and quality discos. Price £9.99 each + 40p P&P.
TYPE 'E' (KSN1038A) 3 1/2" horn tweeter with attractive silver finish trim. Suitable for Hi-Fi monitor systems etc. Price £5.99 each + 40p P&P.
LEVEL CONTROL Combines on a recessed mounting plate, level control and cabinet input jack socket. 85 x 85 mm. Price £3.99 + 40p P&P.

STEREO DISCO MIXER

STEREO DISCO MIXER with 2 X 5 band L & R graphic equalisers and twin 10 segment L.E.D. Vu Meters. Many outstanding features 5 Inputs with individual faders providing a useful combination of the following:-
3 Turntables (Mag), 3 Mics, 4 Line plus Mic with talk over switch, Headphone Monitor, Pan Pot, L & R Master Output controls. Output 775mV. Size 360 X 280 X 90mm.
Price £134.99 - £3.00 P&P



POSTAL CHARGES PER ORDER £1.00 minimum. OFFICIAL ORDERS WELCOME, SCHOOLS, COLLEGES, GOVERNMENT BODIES, ETC. PRICES INCLUSIVE OF V.A.T. SALES COUNTER VISA/ACCESS/C.O.D. ACCEPTED.



B. K. ELECTRONICS
UNIT 5, COMET WAY, SOUTHEND-ON-SEA, ESSEX, SS2 6TR TEL: 0702-52752



All new in the 1985 Catalogue

From a gentle purr to a mighty roar, the tightly controlled power of the beast is yours to command!

PROFESSIONAL QUALITY HIGH POWER LOUDSPEAKERS

A new range of superb quality loudspeakers.

- ★ Virtually indestructible high temperature voice-coil reinforced with glass-fibre
- ★ 100% heat overload tolerance
- ★ Advanced technology magnet system
- ★ Rigid cast alloy chassis
- ★ Linen or Plastiflex elastomer surrounds
- ★ 5-year guarantee (in addition to statutory rights)

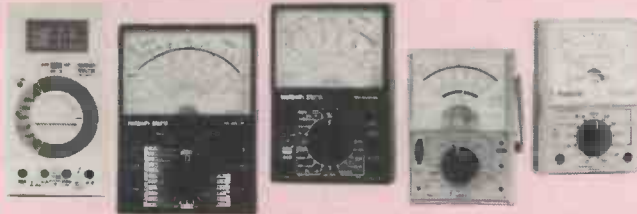


Available in 5, 8, 10, 12, 15 and 18 inch models with 8Ω and some 16Ω impedances and with input powers ranging from 50W to 300W e.g.

- 5in. 50W 95dB 8Ω: XG39N / 16Ω: XG40T £17.95
- 8in. 100W 98dB 8Ω: XG43W £29.95
- 10in. 100W 100dB 8Ω: XG46A £29.95
- 12in. 100W 101dB 8Ω: XG49D £29.95
- 12in. Twin Cone 100W 100dB 8Ω: XG50E / 16Ω: XG51F £31.95

Note - the output power doubles for each 3dB increase (ref 1W @ 1m).

PRECISION GOLD MULTIMETERS



A new range of very high quality multimeters offering truly amazing quality at the price.

- Pocket Multimeter, 16 ranges, 2000Ω/V DC/AC £6.95 (YJ06G)
- M-102BZ with Continuity buzzer, battery tester and 10A DC range, 23 ranges, 20,000Ω/V DC £14.95 (YJ07H)
- M-2020S with Transistor, Diode & LED tester and 10A DC range, 27 ranges 20,000Ω/V DC £19.95 (YJ08J)
- M-5050E Electronic Multimeter with very high impedance, FET input, 53 ranges including peak-to-peak AC, centre-zero and 12A AC/DC ranges £34.95 (YJ09K)
- M-5010 Digital Multimeter with 31 ranges including 20Ω and 20μA DC/AC FSD ranges, continuity buzzer, diode test, and gold-plated PCB for long-term reliability and consistent high accuracy (0.25% + 1 digit DCV) £42.50 (YJ10L)

N.B. All our prices include VAT and Carriage. A 50p handling charge must be added if your total order is less than £5 on mail order (except catalogue).

MAPLIN ELECTRONIC SUPPLIES LTD.

Mail Order: P.O. Box 3, Rayleigh, Essex SS6 8LR. Tel: Southend (0702) 552911 SHOPS

- BIRMINGHAM Lynton Square, Perry Barr, Tel: 021-356 7292.
 - LONDON 159-161 King Street, Hammersmith, W6. Tel: 01-748 0926.
 - MANCHESTER 8 Oxford Road, Tel: 061-236 0281.
 - SOUTHAMPTON 46-48 Bevois Valley Road, Tel: 0703 25831.
 - SOUTHEND 282-284 London Rd, Westcliff-on-Sea, Essex. Tel: 0702-554000
- Shops closed all day Monday.

§ Indicates that a lower price is available in our shops.



Our huge range of top quality electronic components at very competitive prices are all detailed in our catalogue, and with well over 600 new lines in our 1985 edition and many design improvements, it's well worth getting a copy. Here are just a few examples from the catalogue. (The items below are NOT kits).

- ★ Most phono and jack plugs now with integral strain relief sleeve - gold-plated types also available from 14p (gold from 70p)
- ★ Stereo Disco Mixer with cross-fade, talk-over, cue monitoring, aux input, slide controls. Only £58.95 (AF99H)



- ★ 10-Channel Stereo Graphic Equalisers - 3 models - basic; with peak level meter; and with spectrum analyser - from £77.95



- ★ Digital Delay Line permits Slap-back, Doubling, Flanging, Chorus and Echo. 11 controls. Only £195.00 (AF98G)
- ★ Video Enhancer improves picture quality when recording from one VTR to another, and with TV's with monitor input. Only 28.95 (XG59P)
- ★ Detailed descriptions of the exciting new 74HC range of IC's which combine the advantages of CMOS and TTL. From 46p
- ★ Keyboards: sloping keys, two-tone grey, mounted in steel frame, very smart cases (extra) available. 61 keys, only £33.95 (YJ12N) 79 keys, only £37.95 (YJ13P)
- ★ 1% Resistors now 50ppm/°C, 0.4W, only 2p each!
- ★ Auto transformers 120/240V 50VA, £10.75 (YJ56L). 100VA £14.95 (YJ57M). 150VA £16.95 (YJ58N). 250VA £21.95 (YJ59P).
- ★ Digital Clinical Thermometer. Only £13.95 (FK51F)



Check our 1985 Catalogue for all our other fascinating new lines.



☎ Phone before 2pm for same day despatch.

1985 CATALOGUE

Pick up a copy now at any branch of W.H. Smith or in one of our shops. The price is still just £1.35, or £1.75 by post from our Rayleigh address (quote CA02C).

Post this coupon now for your copy of the 1985 catalogue. Price £1.35 + 40p post and packing. If you live outside the U.K. send £2.40 or 11 International Reply Coupons. I enclose £1.75.

Name

Address

.....

.....

EE/6/85

All offers subject to availability.

Prices firm until Aug. 10th 1985.