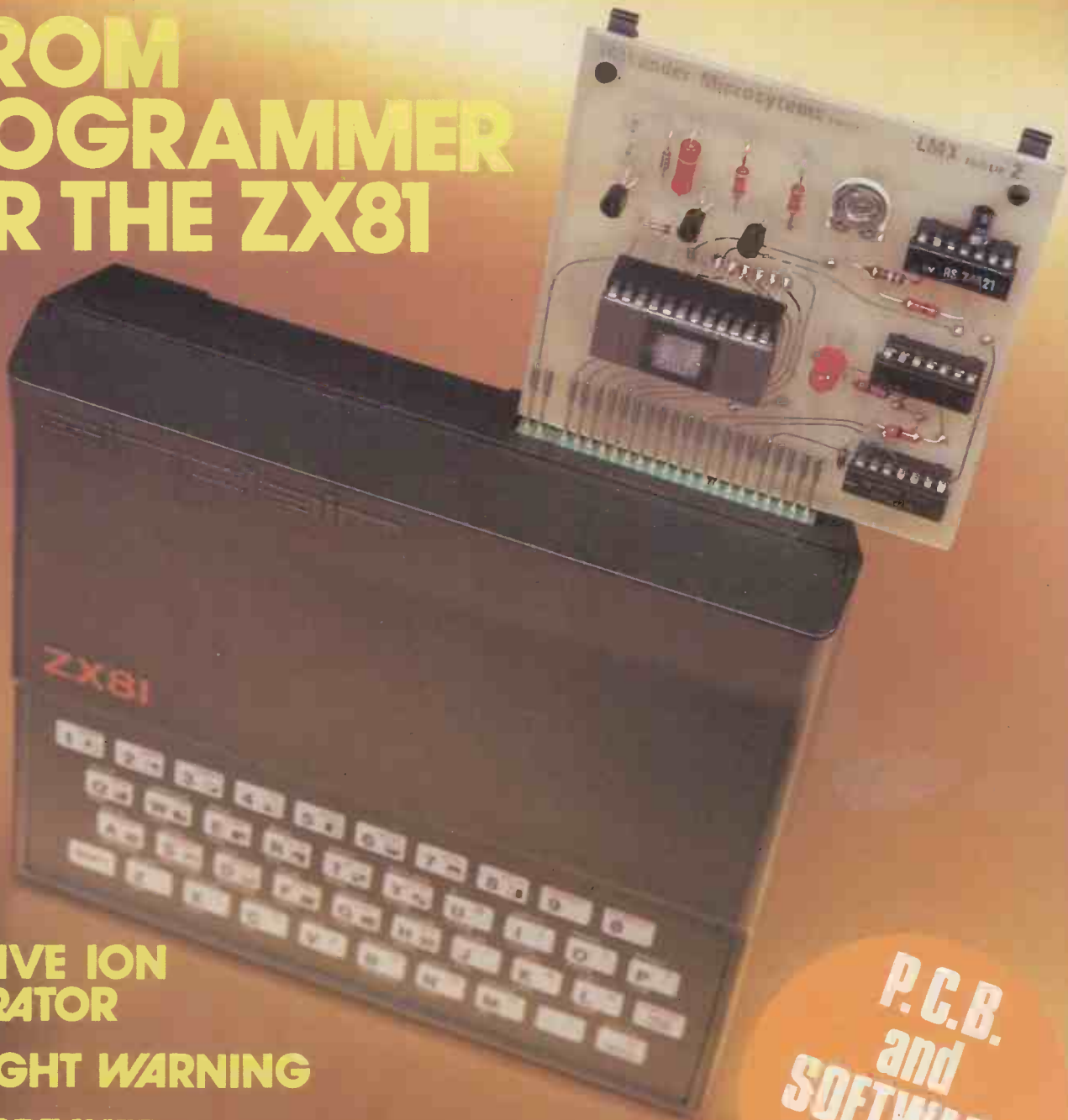


EVERYDAY ELECTRONICS and computer PROJECTS

FEBRUARY 1984

90p

EPROM PROGRAMMER FOR THE ZX81



**NEGATIVE ION
GENERATOR**

CAR LIGHT WARNING

**LOUDSPEAKER
PROTECTION UNIT**

SIGNAL TRACER

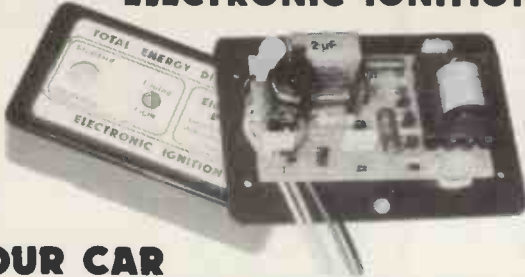
**P.C.B.
and
SOFTWARE
SERVICES**

electronize

AUTO-ELECTRONIC PRODUCTS

KITS OR READY BUILT

TOTAL ENERGY DISCHARGE ELECTRONIC IGNITION



IS
YOUR CAR

AS GOOD AS IT COULD BE ?

- ★ Is it **EASY TO START** in the cold and the damp? Total Energy Discharge will give the most powerful spark and maintain full output even with a near flat battery.
 - ★ Is it **ECONOMICAL** or does it "go off" between services as the ignition performance deteriorates? Total Energy Discharge gives much more output and maintains it from service to service.
 - ★ Has it **PEAK PERFORMANCE** or is it flat at high and low revs. where the ignition output is marginal? Total Energy Discharge gives a more powerful spark from idle to the engines maximum (even with 8 cylinders).
 - ★ Is the **PERFORMANCE SMOOTH**. The more powerful spark of Total Energy Discharge eliminates the "near misfires" whilst an electronic filter smooths out the effects of contact bounce etc.
 - ★ Do the **PLUGS and POINTS** always need changing to bring the engine back to its best? Total Energy Discharge eliminates contact arcing and erosion by moving the heavy electrical load. The timing stays "spot on" and the contact condition doesn't affect the performance either. Large plug gaps can be used, even wet or badly fouled plugs can be fired with this system.
 - ★ **TOTAL ENERGY DISCHARGE** is a unique system and the most powerful on the market - 3 1/2 times the power of inductive systems - 3 1/2 times the energy and 3 times the duration of ordinary capacitive systems. These are the facts:
Performance at only 6 volts (max. supply 16 volts)
SPARK POWER — 140W, **SPARK ENERGY** — 36mJ
SPARK DURATION — 50µs, **STORED ENERGY** — 135mJ
LOADED OUTPUT VOLTAGE
 50pF load — 38kV, 50pF + 500k — 26kV
- We challenge any manufacturer to publish better performance figures. Before you buy any other make, ask for the facts, its probably only an inductive system. But if an inductive system is what you really want, we'll still give you a good deal.
- ★ **All ELECTRONIZE electronic ignitions feature:**
EASY FITTING, STANDARD/ELECTRONIC CHANGEOVER SWITCH, STATIC TIMING LIGHT and DESIGNED IN RELIABILITY (14 years experience and a 3 year guarantee).
 - ★ **IN KIT FORM** it provides a top performance system at less than half the price of comparable ready built units. The kit includes: pre-drilled fibreglass PCB, pre-wound and varnished ferrite transformer, high quality 2uF discharge capacitor, case, easy to follow instructions, solder and everything needed to build and fit to your car. All you need is a soldering iron and a few basic tools.

Most **NEW CARS** already have electronic ignition. Update **YOUR CAR**

ELECTRONIZE ELECTRONIC CAR ALARM



HOW SAFE IS YOUR CAR ?

More and more cars are stolen each week and even a steering lock seems little help. But a car thief will avoid a car that will cause him trouble and attract attention. If your car has a good alarm system — well there are plenty of other cars to choose from.

LOOK AT THE PROTECTION AN ELECTRONIZE ALARM CAN GIVE :

- ★ **MINIATURE KEY PLUG** A miniature lock plug attaches to your key ring and is coded to your particular alarm.
- ★ **2025 INDIVIDUAL COMBINATIONS** The key plug contains two 12k resistance resistors, both must be the correct value and together give 2025 different combinations.
- ★ **ATTRACTS MAXIMUM ATTENTION** This alarm system not only intermittently sounds the horn, but also flashes the headlight and prevents the engine being started.
- ★ **60 SECOND ALARM PERIOD** Once triggered the alarm will sound for 60 seconds, unless cancelled by the key plug, before resetting ready to be triggered again.
- ★ **30 SECOND EXIT DELAY** The system is armed by pressing a small button on a dashboard mounted control panel. This starts a 30 second delay period during which the owner can open and close doors without triggering the alarm.
- ★ **10 SECOND ENTRY DELAY** When a door is opened a 10 second delay operates to allow the owner to disarm the system with the coded key plug. Latching circuits are used and once triggered the alarm can only be cancelled by the key plug.
- ★ **L.E.D. FUNCTION INDICATOR** An LED is included in the dashboard unit and indicates the systems operating state. The LED lights continuously to show the system is armed and in the exit delay condition. A flashing LED indicates that the alarm has been triggered and is in the entry delay condition.
- ★ **ACCESSORY LOOP - BONNET/BOOT SWITCH - IGNITION TRIGGER** These operate three separate circuits and will trigger the alarm immediately, regardless of entry and exit delays.
- ★ **SAFETY INTERLOCK** The system cannot be armed by accident when the engine is running and the car is in motion.
- ★ **LOW SUPPLY CURRENT** CMOS IC's and low power operational amplifiers achieve a normal operating current of only 2.5 mA.
- ★ **IN KIT FORM** It provides a high level of protection at a really low cost. The kit includes everything needed, the case, fibreglass PCB, random selection resistors to set the code and full set of components etc. In fact everything down to the last washer plus easy to follow instructions.

fill in the coupon and send to:

Please send more information

ELECTRONIZE DESIGN Dept C · Magnus Rd · Wilnecote · Tamworth · B77 5BY · tel 0827 281000

TOTAL ENERGY DISCHARGE (6 or 12 volt negative earth)

- Assembled ready to fit £26.70 £19.95
- D.I.Y. parts kit £15.50 £14.95

TWIN OUTPUT (for cars and motorbikes with dual ignition)

- Twin, Assembled ready to fit £36.45 £29.95
- Twin, D.I.Y. parts kit £21.55 £22.95

MINIATURE KEY PLUG DISCHARGE (12 volt only)

- Assembled ready to fit £15.95 £12.75

Goods normally despatched within 7 days.

Prices Include VAT £1-00 PP(UK) per Unit.

CAR ALARM (12 volt negative earth)

- Assembled ready to fit (All wires and connectors incl) £37.95 £29.95
- D.I.Y. parts kit £24.95 £19.95

I enclose cheque/postal order OR debit my Access/Visa card

VISA

Name _____

Address _____

Code _____

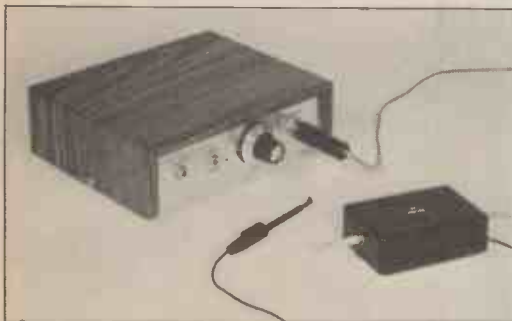
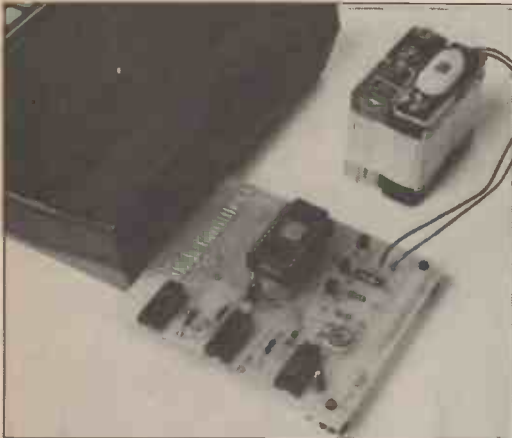
LOW ORDER MAIL ORDERS

C

EVERYDAY ELECTRONICS and computer PROJECTS

VOL. 13 NO. 2 FEBRUARY 1984

PROJECTS . . . THEORY . . . NEWS . . .
COMMENT . . . POPULAR FEATURES . . .



© IPC Magazines Limited 1984. Copyright in all drawings, photographs and articles published in EVERYDAY ELECTRONICS is fully protected, and reproduction or imitations in whole or in part are expressly forbidden.

PROJECTS

- NEGATIVE ION GENERATOR** by A. Flind 82
Promote a healthy and comfortable atmosphere
- LOUDSPEAKER PROTECTION UNIT** by J. Duffy 88
Two-channel overload protection for your hi fi or PA
- EPROM PROGRAMMER/ROM CARD FOR ZX81**
by B. W. Terrell and J. W. Terrell 92
For burning data into the 2716 +5V rail EPROM
- TEMPERATURE MEASUREMENT AND CONTROL SYSTEM FOR ZX COMPUTERS—2:** by M. Plant 106
Relay Driver Unit Computer controlled switching elements
- ORIC PORT BOARD** by J. Adams and G. M. Feather 118
- CAR LIGHTS WARNING** by A. Burnett 122
Safeguard your battery with this simple device
- SIGNAL TRACER** by R. A. Penfold 126
Valuable service aid that doubles as a signal injector

SERIES

- TEACH-IN 84** by G. Hylton Part 5: Audio Amplifiers 100
- MICROCOMPUTER INTERFACING TECHNIQUES**
by J. Adams and G. M. Feather Part 8: Direct bus interfacing 116
- COMPUTER AIDED EXPERIMENTS**
by A. A. Chanerley Part 5: V/I Characteristic of a p-n junction 134

FEATURES

- EDITORIAL** Changes for Passives 81
- SHOP TALK** by Dave Barrington 87
Product news, component buying
- FOR YOUR ENTERTAINMENT** by Barry Fox 91
Exhibitionist; Oil Burners
- BOOK REVIEWS** A selection of recent releases 99
- CIRCUIT EXCHANGE** 99, 121, 123, 124, 131, 132
A forum for readers' ideas
- ELECTRICAL HAZARDS** 104
A General Practitioner's advice on avoiding danger
- PCB SERVICE** 105
- EVERYDAY NEWS** 112
What's happening in the world of electronics
- RADIO WORLD** by Pat Hawker G3VA 114
Radio Limitations; In-Flight Calls; Viva Valves!
- BACK NUMBERS** 115
- COUNTER INTELLIGENCE** by Paul Young 121
A retailer comments
- NEW PRODUCTS** 130
Facts and photos of instruments, equipments and tools
- SOFTWARE SERVICE** 131
- SQUARE ONE** Beginners' page: Equipment Wire 133

Our March 1984 issue will be published on Friday, February 17. See page 111 for details.

Readers' Services ● Editorial and Advertisement Departments

81

MASTER ELECTRONICS NOW! The PRACTICAL way!

YOUR CAREER..YOUR FUTURE..YOUR OWN BUSINESS..YOUR HOBBY
THIS IS THE AGE — OF ELECTRONICS!
the world's fastest growth industry...

There is a world wide demand for designers/engineers and for men to service and maintain all the electronic equipment on the market today — industrial — commercial and domestic. No unemployment in this walk of life!

Also — the most exciting of all hobbies — especially if you know the basic essentials of the subject. . . .

A few hours a week for less than a year — and the knowledge will be yours. . . .

We have had over 40 years of experience in training men and women successfully in this subject.

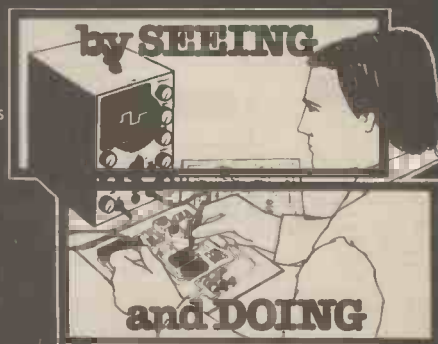
Our new style course will enable anyone to have a real understanding of electronics by a modern, practical and visual method. No previous knowledge is required, no maths, and an absolute minimum of theory.

You learn by the practical way in easy steps, mastering all the essentials of your hobby or to start, or further, a career in electronics or as a self-employed servicing engineer.

All the training can be carried out in the comfort of your own home and at your own pace. A tutor is available to whom you can write personally at any time, for advice or help during your work. A Certificate is given at the end of every course.

You will do the following:

- Build a modern oscilloscope
- Recognise and handle current electronic components
- Read, draw and understand circuit diagrams
- Carry out 40 experiments on basic electronic circuits used in modern equipment using the oscilloscope
- Build and use digital electronic circuits and current solid state 'chips'
- Learn how to test and service every type of electronic device used in industry and commerce today. Servicing of radio, T.V., Hi-Fi, VCR and microprocessor/computer equipment.



CACC

British National Radio & Electronics School Reading, Berks. RG1 1BR

FREE!

COLOUR BROCHURE



POST NOW TO

Please send your brochure without any obligation to

NAME _____

ADDRESS _____

BLOCK CAPS PLEASE
EE/2/846

I am interested in:

- COURSE IN ELECTRONICS as described above
- RADIO AMATEUR LICENCE
- MICROPROCESSORS
- OTHER SUBJECTS please state below _____

OR TELEPHONE US
0734 51515 OR
TELEX 22758
(24 HR SERVICE)



British National Radio & Electronics School Reading, Berks. RG1 1BR

TEACH-IN 84

Once again GREENWELD will be supplying a complete set of parts for this ever popular series — as we have done for all previous series.

Our experience in this field means your kit can be supplied from stock at the best possible price, so order with confidence. Price for complete kit is only £18.95 inc post and VAT.



MOTORIZED GEARBOX

These units are as used in a computerized tank, and offer the experimenter in robotics the opportunity to buy the electro-mechanical parts required in building remote controlled vehicles. The unit has 2 x 3V motors, linked by a magnetic clutch, thus enabling turning of the vehicle, and a gearbox contained within the black ABS housing, reducing the final drive speed to approx 50rpm. Data is supplied with the unit showing various options on driving the motors etc. £5.95. Suitable wheels also available: 3" Dia plastic with black tyre, drilled to push-fit on spindle. 2 for £1.30 (limited qty). 3" dia aluminium disc 3mm thick, drilled to push-fit on spindle. 2 for 68p.

SEAT BELT ALARM

Originally for sale at £8.95, these well made units 70x50x25mm provide both audible and visual alarms. Uses 2 IC's, PB2720 transducer, etc. Available ready built, with circuit and instructions for just £4.95. Also available as a kit, PCB + all components, box, wire, etc, together with instructions. Only £3.95.

RIBBON CABLE

Special purchase of multicoloured 14 way ribbon cable — 40p/metre; 50m £18; 100m £32.00; 250m £65.00.

TTL PANELS

Panels with assorted TTL inc LS types. Big variety. 20 chips £1.00; 100 chips £4.00; 1000 chips £30.00.

"THE SENSIBLE 64"

David Highmore's new book on the Commodore 64 now available. £5.95.

THE 1984 GREENWELD CATALOGUE

Now in the course of production, the 1984 GREENWELD catalogue will be published in January. It's Bigger, Brighter, Better, more components than ever before. With each copy there's discount vouchers, Bargain List, Wholesale Discount List, Bulk Buyers List, Order Form and Reply Paid Envelope. All for just £1.00! Order now for early delivery!

COMPUTER GAMES

Z901 Can you follow the flashing light/pulsating tone sequence of this famous game? Supplied as a fully working PCB with speaker (no case) plus full instructions. Only £4.95

Z902 Probably the most popular electronic game on the market — based on the old fashioned pencil and paper battleship game, this computerized version has brought it bang up to date! We supply a ready built PCB containing 76477 sound effect chip, TMS1000 micro-processor chip, R's, C's etc. Offered for its component value only (board may be cracked or chipped, it's only £1.95. Instructions and circuit, 30p.



TREAT YOURSELF TO A NICE NEW DIGITAL MULTIMETER!!

KD55C A DVN for the professional — this 3½ digit multimeter has overload protection, low battery and over range indication. Full auto polarity operation. AC Volts: 0.2-700
DC Volts: 0.2-1000
AC Current: 200uA-10A
DC Current: 200uA-10A
Resistance: 200R-200M
Total 28 ranges for just £44.95

SHOP SALE

Loads of special offers to callers only.
Feb 4th-11th.

PACKS! PACKS! PACKS!

K517 Transistor Pack. 50 assorted full spec marked plastic devices PNP NPN RF AF. Type numbers include BC114, 117, 172, 182, 183, 198, 239, 251, 214, 225, 320, BF198, 255, 394, 2N3904 etc etc. Retail cost £7 +. Special low price 275p

K523 Resistor Pack. 1000 — yes, 1000 — and ½ watt 5% hi-stab carbon film resistors with pre-formed leads for PCB mounting. Enormous range of preferred values from a few ohms to a several megohms. Only 250p. 5000 £10; 20,000 £36.

K520 Switch Pack. 20 different assorted switches — rocker, slide, push, rotary, toggle, micro etc. Amazing value at only 200p

K522 Copper clad board. All pieces too small for our etching kits. Mostly double sided fibreglass. 250g (approx 110 sq ins) for 200p

K541 It's back!! Our most popular pack ever — Vero offcuts. This has been restricted for some time, but we have now built up a reasonable stock and can once again offer 100 sq ins of vero copper clad offcuts, average size 4x3". Offered at around ½ the price of new board 320p

K530 100 Assorted polyester caps — all new modern components, radial and axial leads. All values from 0.01 to 1uf at voltages from 63 to 1000V! Super value at 395p

K602 Electrolytics — all long leaded radial type — most values from 10uf to 1000uf, nearly all 10V, few 16V. Bag of 100 assorted £3.50

TWO FABULOUS OFFERS FROM

ALCON

SUPER 20
20kΩ/V a.c. & d.c.

A SUPER PROTECTED UNIVERSAL MULTIMETER

Undestructible, with automatic protection on all ranges but 10A.

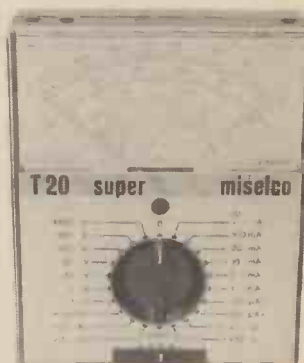
ONLY £33.50

inc. VAT, P&P, complete with carrying case, leads and instructions.

This special offers is a wonderful opportunity to acquire an essential piece of test gear with a saving of nearly £20.00.

Accuracy: d.c. ranges and Ω 2% a.c. 3% (of f.s.d.)
39 ranges: d.c. V 100mV, 1.0V, 3.0V, 10V, 30V, 100V, 300V, 1000V.
d.c. I 50μA, 100μA, 300μA, 1.0mA, 3mA, 10mA, 30mA, 100mA, 1A, 10A
a.c. V 10V, 30V, 100V, 300V, 1000V.
a.c. I 3mA, 10mA, 30mA, 100mA, 1.0A, 10A.
Ω 0-5.0kΩ, 0-50kΩ, 0-500kΩ, 5MΩ, 50MΩ.
dB from -10 to +61 in 5 ranges.

Dimensions: 105 x 130 x 40mm.



SUPER TESTER 50 50kΩ V a.c. and d.c.

A 39 ranges fool-proof multimeter with protective diodes, quick acting 1.25A fuse and resettable cut-out.

PROFESSIONAL SOLUTION TO GENERAL MEASUREMENT PROBLEMS

ONLY £36.30

incl. VAT, P&P, complete with carrying case, leads and instructions. Goods normally by return of post.

The best instrument for the workshop, school, toolbox, TV shop and anywhere accurate measurement is needed quickly and simply.

Accuracy: d.c. ranges and Ω 2% a.c. 3% (off.s.d.)
39 ranges: d.c. V 150mV, 1V, 3V, 10V, 30V, 100V, 300V, 1000V;
d.c. I 20μA, 100μA, 300μA, 1.0mA, 3mA, 10mA, 30mA, 100mA, 1A, 3A.
a.c. V 10V, 30V, 100V, 300V, 1000V;
a.c. I 3mA, 10mA, 30mA, 100mA, 1A, 3A.
Ohms 5kΩ, 50kΩ, 500kΩ, 5MΩ, 50MΩ.
dB from -10 to +61 in 5 ranges.

Dimensions: 105 x 130 x 40mm.

For details of these and the many other instruments in the Alcon range, including multimeters, components measuring, automotive and electronic instruments, please write or telephone:

ALCON Instruments Ltd.

19 MULBERRY WALK · LONDON SW3 6DZ · TEL: 01-352 1897 · TELEX: 918867

GREENWELD

Goods normally despatched by return of post.

443D Millbrook Road Southampton SO1 0HX

Our shop has enormous stocks of components and is open from 9-5.30 Mon-Sat.

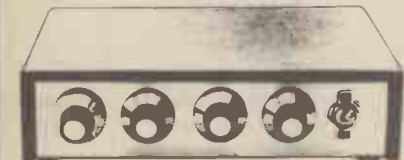
Tel (0703) 772501
ALL PRICES INCLUDE VAT;
JUST ADD 60p P&P.

PREVIOUSLY ADVERTISED STILL AVAILABLE

Tape punch and reader	£22.50
Bench isolating transformer 250 watt	£7.75
BDAC in-flight stereo unit	£1.50
Drill assortment 4 each 25 sizes between .25mm & 2.5mm	£11.50
Battery condition tester, less box	£1.75
Nicad chargers, mains	£0.75
Fluorescent inventor 13 watt from 12v	£3.50
Cassette mechanism with heads	£4.50
Ten digit stitch pad-pb phone etc.	£1.95
Uniselector 2 pole 25 way	£4.60
Water valve mains operated	£2.50
Counter 6 digit mains operated ditto 12v resettable	£1.15 £3.45
Double glazing clear PVC sheet, 23 1/2" wide-per running ft.	£0.15
Locking mechanism with 2 keys	£1.15
Magnetic clutch	£4.50
Mouth operated suck or blow switch	£2.30
Solenoid with slug 8-12v battery op. ditto 230v mains	£1.82 £2.30
Timer Omron STP NH 110v AC Coil	£6.90
Key switch with 2 keys dp mains	£1.75
Air valve mains operated	£3.75
Latching relay mains operated	£3.50
Dry film lubricant aerosol can	£0.65
Coin op switch, cased with coin tray	£4.60



8 POWERFUL MODEL MOTORS (all different)
for robots, meccanos, drills, remote control planes, boats, etc. £2.95.



Complete kit of parts for a three channel sound to light unit controlling over 2000 watts of lighting. Use this at home if you wish but it is plenty rugged enough for disco work. The unit is housed in an attractive two tone metal case and has controls for each channel, and a master on/off. The audio input and output are by 1/4" sockets and three panel mounting fuse holders provide thyristor protection. A four pin plug and socket facilitate ease of connecting lamps. Special price is £14.95 in kit form or £25.00 assembled and tested.

12 volt MOTOR BY SMITHS

Made for use in cars, etc., these are series wound and they become more powerful as load increases. Size 3 1/4" long by 3" dia. They have a good length of 3/4" spindle — Price £3.45. Ditto, but double ended £4.25. Ditto, but permanent magnet £3.75.



EXTRA POWERFUL 12v MOTOR

Probably develops up to 1/4 h.p. so it could be used to power a go-kart or to drive a compressor, etc. £7.95 + £1.50 post.

THERMOSTAT ASSORTMENT

10 different thermostats, 7 bi-metal types and 3 liquid types. There are the current stats which will open the switch to protect devices against overload, short circuits, etc., or when fitted say in front of the element of a blow heater, the heat would trip the stat if the blower fuses; appliance stats, one for high temperatures, others adjustable over a range of temperatures which could include 0 — 100°C. There is also a thermostatic pod which can be immersed, an oven stat, a calibrated boiler stat, finally an ice stat which, fitted to our waterproof heater element, up in the loft could protect your pipes from freezing. Separately, these thermostats could cost around £15.00 — however, you can have the parcel for £25.00.

MINI MONO AMP on p.c.b., size 4 1/2" x 2" (app.)

Fitted volume control and a hole for a tone control should you require it. The amplifier has three transistors and we estimate the output to be 3W rms. More technical data will be included with the amp. Brand new, perfect condition, offered at the very low price of £1.15 each, or 10 for £10.00.



— BARGAIN OF THE YEAR —

The AMSTRAD Stereo Tuner.

This ready assembled unit is the ideal tuner for a music centre or an amplifier, it can also be quickly made into a personal stereo radio — easy to carry about and which will give you superb reception.

Other uses are as a "get you to sleep radio", you could even take it with you to use in the lounge when the rest of the family want to view programmes in which you are not interested. You can listen to some music instead.

Some of the features are: long wave band 115 — 270 KHz, medium wave band 525 — 1650 KHz, FM band 87 — 108 MHz, mono, stereo & AFC switchable, tuning meter to give you spot on stereo tuning, optional LED wave band indicator, fully assembled and fully aligned. Full wiring up data showing you how to connect to amplifier or headphones and details of suitable FM aerial (note ferrite rod aerial is included for medium and long wave bands. All made up on very compact board.

Offered at a fraction of its cost: **only £6.00** + £1.50 post & insurance.

THIS MONTH'S SNIP

BLOW HEATER KIT with metal case. £7.95 + £2 post. Don't let mains interference muck up your program or game — up to 13 amp load. Mains filter type F.E.C. SNIP PRICE ONLY £3.99

REVERSIBLE MOTOR WITH CONTROL GEAR

Made by the famous Franco Company this is a very robust motor, size approximately 7 1/2" long, 3 1/2" dia, 3/8" shaft. Tremendously powerful motor, almost impossible to stop. Ideal for operating stage curtains, sliding doors, ventilators etc., even garage doors if adequately counter-balanced. We offer the motor complete with control gear as follows:
1 Franco motor with gear box
1 manual reversing & on/off switch
£19.50 plus postage £2.50

FOR SOMEONE SPECIAL

Why not make your greeting card play a tune? It could play 'Happy Birthday', 'Merry Christmas', 'Wedding March', etc. or 'Home Sweet Home', etc. With this 3 part assembly, for making cards musical. Mini microchip speaker and battery with switch that operates as the card is opened. Please state tune when ordering. Complete, ready to work £12.55.

REEL TO REEL TAPE DECKS

EE-Language Teaching School. Second, but we understand these are in good order; any not so would be exchanged. The deck is a standard BSR with normal record, replay facilities and an additional feature is tape rev counter. Nicely finished in teak type box. We have 30 only of these. Price £8.50 each + £3 carriage.

TELEPHONE ITEMS

Plug and Wall socket — 4 pin or 5 pin	£3.45
Plugs only 4 pin or 5 pin	£1.15
Modern desk telephone	£7.50
Heavy black old type	£5.50
External bell unit	£8.50
Bell ringing power unit	£4.50
Pick up coil	£1.15

STABILISED POWER SUPPLY (Mains Input)

By LAMDA (USA) — Ideal for computer add-ons, d.c. output. Regulated for line volts and load current. Voltage regulation, 1% with input variations up to 20% — load regulation 1% from no load to full load — or full load to no load. Complete in heavy duty case — Models available: 5v - 6A £17.25, 5v - 9A £23. 12v - 1.5A £13.25, 15v - 1.2A £13.25, 24v - 2A £23.

PRESTEL UNIT — brand new and complete except for 7 plug in IC's — Price: £19.75

+ £2.00 p.p.
Note: British Telecom may not connect this equipment as there is no manufacturer to guarantee it, however it is well worth buying for its immense breakdown value — sold originally at over £150.



WATERPROOF HEATING WIRE 100 ohms per yard, this is a heating element wound on a fibre glass coil and then covered with pvc. Dozens of uses — around water pipes, under grow boxes, in gloves and socks. Price: 23p per metre.

TIME SWITCH BARGAIN

Large clear mains frequency controlled clock, which will always show you the correct time to start and stop switches with dials. Complete with knobs FOR ONLY £2.50. 10 for £11.50!

ROPE LIGHT

6 metres of translucent plastic tube full of coloured bulbs makes a wonderful display — suitable indoors or out. £25 + £2 post.

50 THINGS YOU CAN MAKE

Things you can make include Multi range meter, Low ohms tester, A.C. amp meter, Alarm clock, Soldering iron minder, Two way telephone, Memory jogger, Live line tester, Continuity checker, etc., etc., and you will still have hundreds of parts for future projects. Our 10Kg parcel contains not less than 1,000 items - panel meters, timers, thermal trips, relays, switches, motors, drills, taps, and dies, tools, thermometers, coils, condensers, resistors, neons, earphone/microphones, nicad charger, power unit, multi-turn pots and notes on the 50 projects.

YOURS FOR ONLY £11.50 plus £3.00 post.

MINI-MULTI TESTER Deluxe pocket size precision moving coil instrument, jewelled bearings - 2000 o.p.v. mirrored scale.

11 instant range measures: DC volts 10, 50, 250, 1000, AC volts 10, 50, 250, 1000, DC amps 0 — 100 mA.



Continuity and resistance 0 — 1 meg ohms in two ranges. Complete with test leads and instruction book showing how to measure capacity and inductance as well. Unbelievable value at only £6.75 + 60p post and insurance.

FREE Amps range kit to enable you to read DC current from 0 — 10 amps, directly on the 0 — 10 scale. It's free if you purchase quickly, but if you already own a Mini-Tester and would like one, send £2.50.

J. BULL (Electrical) Ltd.

(Dept. EE), 34 - 36 AMERICA LANE, HAYWARDS HEATH, SUSSEX RH16 3QU. Established 30 YEARS

MAIL ORDER TERMS: Cash, P.O. or cheque with order. Orders under £12 add 60p service charge. Monthly account orders accepted from schools and public companies. Access & B/card orders accepted day or night. Haywards Heath (0444) 454563. Bulk orders: phone for quote. Shop open 9.00 — 5.30, mon to Fri, not Saturday.

EXTRACTOR FANS — MAINS OPERATED

Woods extractor.
5" — £5.75, Post £1.25.
6" — £6.95, Post £1.25.
5" Plannair extractor £6.50, Post £1.25.
4" x 4" Muffin 115v. £4.50, Post 75p.
4" x 4" Muffin 230v. £5.75, Post 75p.
All the above ex-company, those below are unused.
4" x 4" £8.50, Post 75p.
9" American made £11.50, post £2.00.
Tangential Blower 10x3 air outlet, dual speed £4.60, Post £1.50.



TANGENTIAL BLOW HEATER

by British Solartron, as used in best blow heaters. 2Kw approx 9" or 12" wide, 3Kw either 9" or 12" wide (your choice) £6.95 complete with 'cold' half and 'full' heat switch, safety cut out and connection dig. Please add post £1.50 for 1 or £2.30 for two.



2.5 Kw KIT Still available: £4.95 + £1.50 post.

DISCO PANEL

Make your party or disco more thrilling — add to your record player or amp, a multi-coloured, sound-enhanced lighting display. Made for Amstrad, their ref. No. RP10. Mains operated stereo or mono controlled — has 48 coloured lamps (plus 4 spares) and light level controls. Brand new and unused — offered at a never to be repeated price of £5.75 plus £2.00 post.

BLEEP TONE These work off 12v and have an unusual and pleasant tone 69p each.

CONNECTING WIRE PACK 48 lengths of connecting wire, each 1 metre long and differently colour coded, a must for those difficult interconnecting jobs. 85p the lot.

RED LEDS 10 for 69p. 100 for £5.75. 1000 for £52.

IN LINE SIMMERSTAT Ideal heat controller for soldering iron and many other hand-held appliances. £2.30. 10 for £17.25.



VENNER TIME SWITCH

Mains operated with 20 amp switch, one on and one off per 24 hrs, repeats daily automatically correcting for the lengthening or shortening day. An expensive time switch but you can have it for only £2.95. These are without case but we can supply a plastic case - £1.75. Also available is adaptor kit to convert this into a normal 24 hr. time switch but with the added advantage of up to 12 on/off's per 24 hrs. This makes an ideal controller for the immersion heater. Price of adaptor kit is £2.30.

IONISER KIT

Refresh your home, office, shop, work room, etc. with a negative ION generator. Makes you feel better and work harder — a complete mains operated kit, case included. £11.95 plus £2.00 post.

OTHER POPULAR PROJECTS

Short Wave Set — covers all the short wave bands using plug-in coils. Kit complete	£14.50
R C Bridge Kit	£9.95
3 Channel Sound to Light — with fully prepared metal case.	£14.95
Ditto — made up	£25.00
Big Ear, listen through walls	£9.50
Robot controller — receiver/transmitter	£9.50
Ignition kit — helps starting, saves petrol, improves performance	£13.95
Silent sentinel Ultra Sonic Transmitter and receiver	£9.50
Car Light 'left on' alarm	£3.50
Secret switch — fools friends and enemies alike	£1.95
3 — 30v Variable Power Supply	£13.80
2 Short & Medium wave Crystal Radio	£3.99
3v to 16v Mains Power Supply Kit	£1.95
Light Chaser — three modes	£17.50
Mullard Unixlex HiFi stereo amplifier with speakers	£6.75
Radio stethoscope — fault finding aid	£4.80
Mug stop — emits piercing squawk	£2.50
Morse Trainer — complete with key	£2.99
Drill control kit	£3.95
Drill control kit — made up	£6.95
Interrupted beam kit	£2.50
Transmitter surveillance kit	£2.30
Radio Mike	£6.90
FM receiver kit — for surveillance or normal FM	£3.50
Seat Belt reminder	£3.00
Car Starter Charger Kit	£15.50
Soil heater for plants and seeds	£16.50
Insulation Tester — electronic megger	£7.95
Battery shaver or fluorescent from 12v	£6.90
Matchbox Radio — receives Medium Wave	£2.95
Mixer Pre-amp — disco special with case	£16.00
Aerial Rotor — mains operated	£29.50
Aerial direction indicator	£5.50
40 watt amp — hi-fi 20Hz — 20kHz	£9.50
Microvolt multiplier — measure very low currents with ordinary multimeter	£3.95
Pure Sine Wave Generator	£5.75
Linear Power output meter	£11.50
115 Watt Amplifier 5Hz 25kHz	£13.50
Power supply for one or two 115 watt amps	£17.50
Stereo Bass Booster, most items	£8.95

EVERYDAY ELECTRONICS and computer PROJECTS

VOL. 13 NO. 2 FEBRUARY 1984

Editor
F. E. BENNETT

Assistant Editor
B. W. TERRELL B.Sc.

Production and News Editor
D. G. BARRINGTON

Projects Editor
G. P. HODGSON

Technical Sub-Editor
R. A. HOOPER

Art Editor
R. F. PALMER

Assistant Art Editor
P. A. LOATES

Technical Illustrator
D. J. GOODING Tech. (CEI)

Secretary
JACQUELINE DOIDGE

Editorial Offices
KING'S REACH TOWER
STAMFORD STREET
LONDON SE1 9LS
Phone: 01-261 6873

Advertisement Manager
R. SMITH
Phone: 01-261 6671

Representative
R. WILLETT
Phone: 01-261 6865

Classified Supervisor
B. BLAKE
Phone: 01-261 5897

Make-Up and Copy Department
Phone: 01-261 6615

Advertisement Offices
KING'S REACH TOWER
STAMFORD STREET
LONDON SE1 9LS

Readers' Enquiries

We cannot undertake to answer readers' letters requesting modifications, designs or information on commercial equipment or subjects not published by us. All letters requiring a personal reply should be accompanied by a stamped self-addressed envelope.

We cannot undertake to engage in discussions on the telephone.

Component Supplies

Readers should note that we do not supply electronic components for building the projects featured in EVERYDAY ELECTRONICS, but these requirements can be met by our advertisers.

All reasonable precautions are taken to ensure that the advice and data given to readers are reliable. We cannot, however, guarantee it and we cannot accept legal responsibility for it. Prices quoted are those current as we go to press.

CHANGES FOR PASSIVES

PASSIVE components are well named, and in more than just the functional sense. Capacitors and resistors for example are very much taken for granted; they play a subservient though essential part, compared with semiconductor devices, in electronic circuits. It also happens that they have undergone little change in their outward physical form since pre-transistor days. Although smaller in volume as befits the lower power used in modern circuits, resistors and capacitors are still clearly recognisable as descendants of the bulkier counterparts used in valve circuits of forty or fifty years ago.

The only major deviations from traditional form are seen amongst capacitors, where a variety of new styles of cases and encapsulations have been evolved, mainly to suit the requirements of the printed circuit board. For example, double-ended capacitors specially designed for vertical mounting on p.c.b.s. But in general the traditional types of capacitors and resistors with their axial lead-out wires have proved just as amenable to vertical mounting as to horizontal mounting.

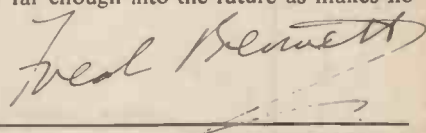
Accommodating as they are, it seems the time for radical change of style in these familiar components at last draws near. This is being brought about through new assembly methods likely to be adopted by electronic product manufacturers, as a direct consequence of miniaturisation.

The new assembly technique of the future, known as surface mounted assembly (SMA), will demand a different style of electronic component—different in outward appearance to the conventional resistor, capacitor and d.i.l. semiconductor. As reported in our News pages last month the largest manufacturer of electronic components in the UK has recently announced its commitment to SMA and is planning extensive component ranges of resistors, capacitors and semiconductors designed for this new assembly technique. These SMA devices are smaller than their conventional counterparts and have terminal surfaces instead of lead-out wires. They are intended to be positioned and spot-glued on to a p.c.b. by a special placement machine; the latter no doubt under computer control. When all components have been assembled, the board is then ready for immersion soldering.

Surface mounted assembly will ensure further exciting consumer products in the future, we are told. Miniaturisation will not only make possible complex systems within a very small compass, but will also reduce costs.

Now all of this seems good news, except for the likes of the private constructor and the small-scale manufacturer of equipments who are committed to traditional assembly methods. SMA devices are not suitable for such purposes.

Yet there is no cause for alarm. Mullard assure us that while SMA is being introduced into certain areas of industry, the production of conventional components with lead-out wires will be unaffected, but will continue in parallel with production of the new style devices. No need therefore for panic buying or hoarding. Lead bending and cropping will remain essential operations for the home constructor, for far enough into the future as makes no difference.



Back Issues

Certain back issues of EVERYDAY ELECTRONICS are available worldwide price £1.00 inclusive of postage and packing per copy. Enquiries with remittance should be sent to Post Sales Department, IPC Magazines Ltd., Lavington House, 25 Lavington Street, London SE1 0PF. In the event of non-availability remittances will be returned.

Binders

Binders to hold one volume (12 issues) are available from the above address for £4.60 inclusive of postage and packing worldwide. Please state which Volume.

Subscriptions

Annual subscription for delivery direct to any address in the UK: £12.00. Overseas: £13.00. Cheques should be made payable to IPC Magazines Ltd., and sent to Room 2613, King's Reach Tower, Stamford Street, London SE1 9LS.

NEGATIVE ION GENERATOR

BY A. FLIND



Ionisers are widely used to counteract the negative ion depletion in air, which is commonly experienced in modern buildings with sealed windows and air conditioning. Electric fires and TV screens are also known to promote positive-charged atmospheres.

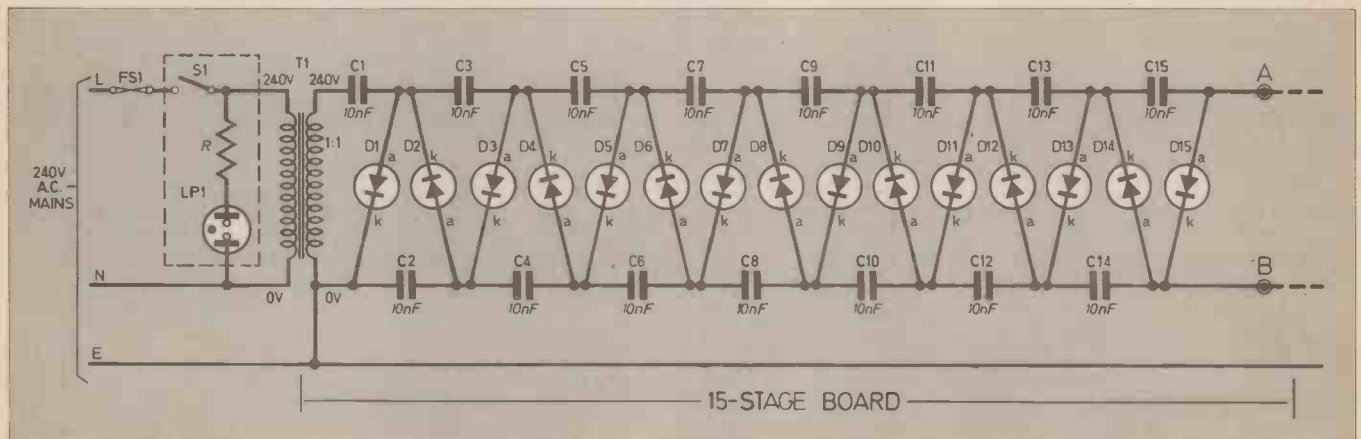


Fig. 1. Circuit diagram of the Negative Ion Generator.

NEGATIVE ION GENERATORS, more familiarly known as *Ionisers*, have been around now for several years. Following a rather shaky start as an offshoot of "crank" medicine, their benefits have become more widely recognised, and today a surprising number of homes are equipped with at least one of these devices.

Ionisers produce large quantities of negatively charged, or ionised, air molecules which are claimed to have beneficial effects upon the health of their users.

Advertising literature from manufacturers usually contain pictures of spring blossoms, alpine scenes and the like, with references to "constant refreshing streams" of ions, claiming such fabulous benefits to health, it's hard to understand how we've survived for so long without them!

However, should you feel inclined to try one, you may find the cost somewhat daunting; typical prices for commercial ionisers range from about £40 to £70 or more. The electronic enthusiast can build his own however, for a much more reasonable outlay.

PRINCIPLE OF OPERATION

The principle behind the ioniser could hardly be simpler. All that's necessary is the generation of a high negative voltage which is then applied to a needle, or several needles. Air coming into contact with the points of these needles will become charged or "ionised" and will then be repelled away by electrostatic force.

This air movement can actually be felt by a damp hand held close to the needles, although it could hardly be described as the "refreshing breeze" claimed by one advertiser!

The actual voltage necessary is subject to some dispute; designs seen by the author have used potentials varying from 3.5kV up to 20kV. The problem here is that together with the ions, the needles

produce a small quantity of a gas called ozone which can have injurious effects upon the nasal passages.

Current theory suggests that the ideal voltage to ensure minimum ozone production is somewhere around 8kV. Higher voltages increase production of the gas, but so, apparently, do lower voltages of, say, 3kV to 5kV as have been used in some published designs. The author has heard mention of cheap, low voltage ionisers of this type being banned in the US some time ago, on the grounds that they were a health hazard.

VOLTAGE MULTIPLIER

Having settled on the voltage to be used, the only remaining decision is that of how to raise it. Most designs use a long chain of diodes and capacitors as a voltage multiplier, in what is called the "Cockroft-Walton" arrangement.

Often this multiplier is preceded by a transistor inverter with a ferrite pot-core transformer, running at about 20kHz. This adds interest to the circuit, but unless battery operation is specifically needed it has little else to recommend it. It lowers reliability, and the internal waveforms of the inverter tend to generate large amounts of spurious r.f. interference. Circuits of this type also tend to be rather inefficient.

The diodes in the multiplier chain need to withstand high reverse voltages; in practice the IN4007 miniature plastic encapsulated diode is the usual choice. This has a d.c. rating of 1,000V. At 20kHz, the reverse recovery time of this device is long enough to cause losses.

Hence the inefficiency of multipliers operating at high frequencies.

ISOLATING TRANSFORMER

If mains operation is required, direct generation from the 240V 50Hz mains has much to recommend it; simplicity, no r.f. generation problems, and easy, low-cost construction. Commercial mains-driven ionisers usually employ a small

COMPONENTS

Resistors

R1-10 3.9M Ω , \pm 5% 0.5W (10 off)

Capacitors

C1-20 10nF, 1,000V disc ceramic (Ambit 04-10312) (20 off)

Diodes

D1-20 IN4007 miniature 1A, 1,000V (20 off)

Miscellaneous

FS1 500mA fuse and panel mounting holder
S1 s.p. switch, 240V d.c., with integral neon indicator
T1 mains isolating transformer 240V 50mA (Maplin LW33L)
Plastics case 190 x 110 x 60mm, grey ABS (Maplin LH62S); printed circuit boards; screws, terminals, soldertag, pins, wire, aluminium sheet, polystyrene tile.

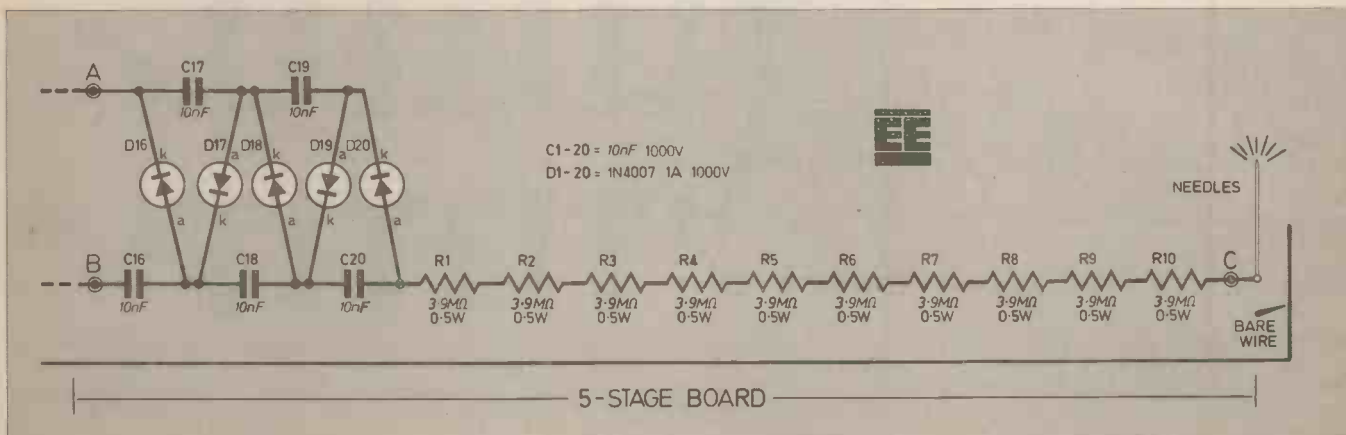
Approx. cost
Guidance only
See page 87

£23

step-up transformer to raise the initial voltage to about 1kV, followed by four or five stages of multiplication using components with 5kV rating.

The home constructor might encounter difficulties in obtaining capacitors rated above 1kV, and a suitable ready-wound transformer would be hard to find, so a practical solution is to start with 240V and have a few more stages in the multiplier. In theory the transformer is then unnecessary, but the use of an isolating transformer improves safety, and allows the positive end of the multiplier chain to be connected directly to the mains earth, greatly improving the ion emission.

Because of the high voltage generated, certain precautions are essential during assembly of this project, but once finally secured within its plastic case, the ioniser is perfectly safe in normal use.



Since the subject of safety has now been raised, this would seem an appropriate point to state that **IONISER CIRCUITS CAN BE DANGEROUS!** Every precaution should be taken to prevent shock whilst constructing or experimenting with this circuit.

Do not touch any part of the circuit whilst it is connected to the mains supply, and if you want to experiment, fit a 1-megohm resistor to the end of a flying lead connected to earth, use this to discharge the multiplier capacitors before touching anything. The resistor will prevent the diodes from being damaged by discharge current surges.

The final output in this design is protected by a string of ten 3.9-megohm resistors which keep current to a safe value if the needles are inadvertently touched; indeed the worst hazard to be encountered from the finished and enclosed project is a pricked finger!

CIRCUIT DESCRIPTION

The full circuit of the ioniser is shown in Fig. 1. The mains input passes through fuse FS1 and switch S1 to the 240V mains isolating transformer T1. The output from the secondary of T1 goes to a twenty-stage voltage multiplier, comprising capacitors C1 to C20 and diodes D1 to D20, which converts the initial supply finally, to approximately 8kV to 9kV of negative d.c., allowing for losses.

The output from the final stage of the multiplier is fed via a chain of ten 3.9-megohm resistors to five needles where the actual ionisation takes place. These resistors ensure safety for the user in the event of the needles being touched.

CONSTRUCTION

PRINTED CIRCUIT BOARDS

Construction is based on three p.c.b.s designed to slot into the plastic case specified, as can be seen in the photograph. Good quality glass-fibre board is recommended for this project to minimise leakage losses. The circuit patterns are very simple and would be an excellent introduction to the use of a "Dalo" type etch resistant pen, as was used to make the prototype.

Full-size p.c.b. patterns are given in Fig. 2a, b and c. These boards are available from the *EE PCB Service*, Order codes 8402-03a, -03b, -03c and 03d.

Layout of components on each board is given in Fig. 3a, b and c.

The only points that need watching during assembly are correct orientation of the diodes and careful positioning of the needles and their holes so that they are central when the needle card is fitted. The needles are actually pins, since needles are usually made from a steel that doesn't solder very well. Cut the heads off them so that they will lie flat on the p.c.b.

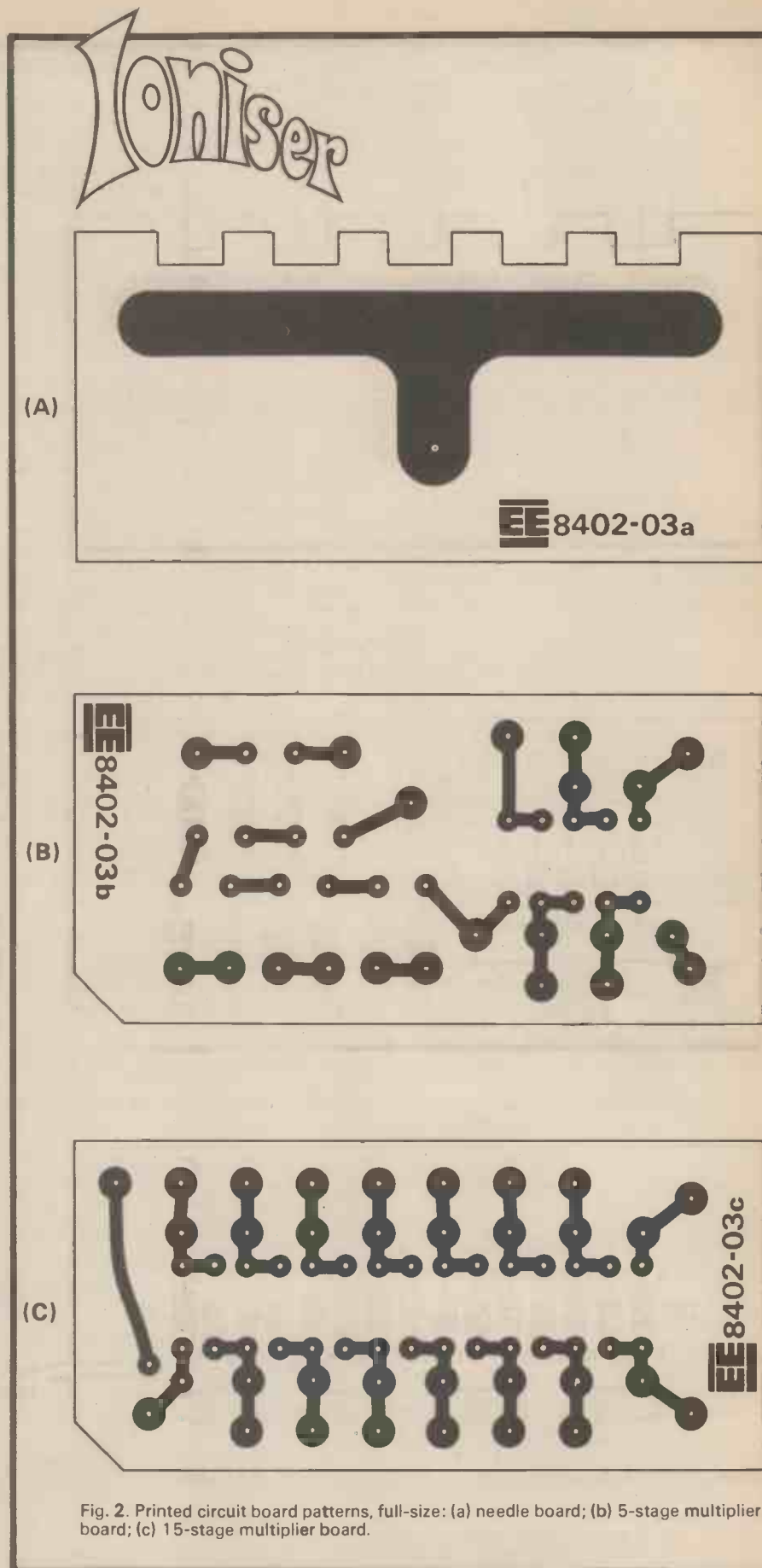


Fig. 2. Printed circuit board patterns, full-size: (a) needle board; (b) 5-stage multiplier board; (c) 15-stage multiplier board.

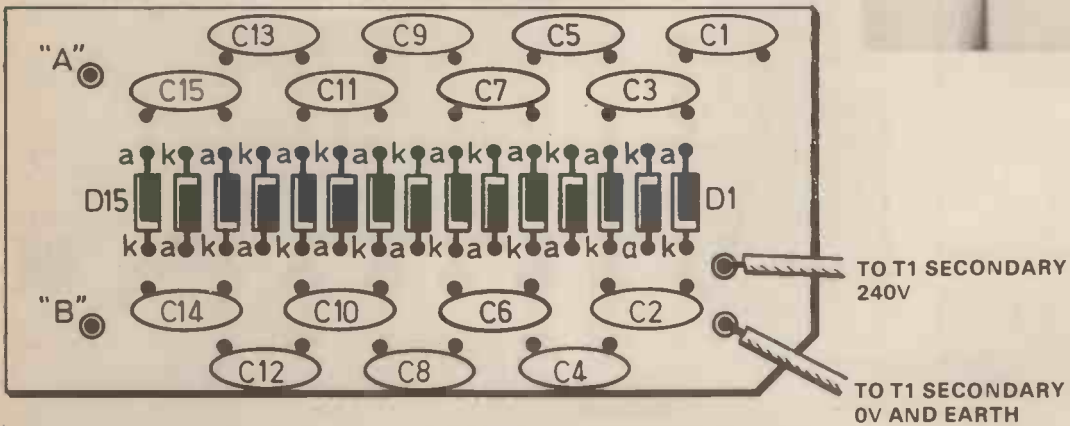
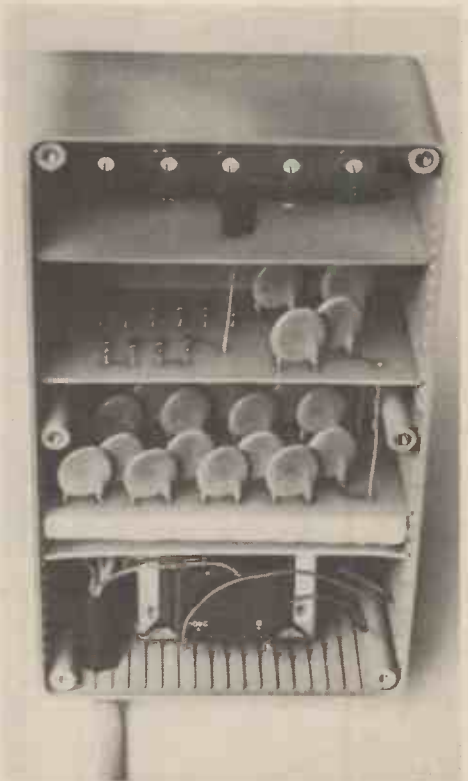
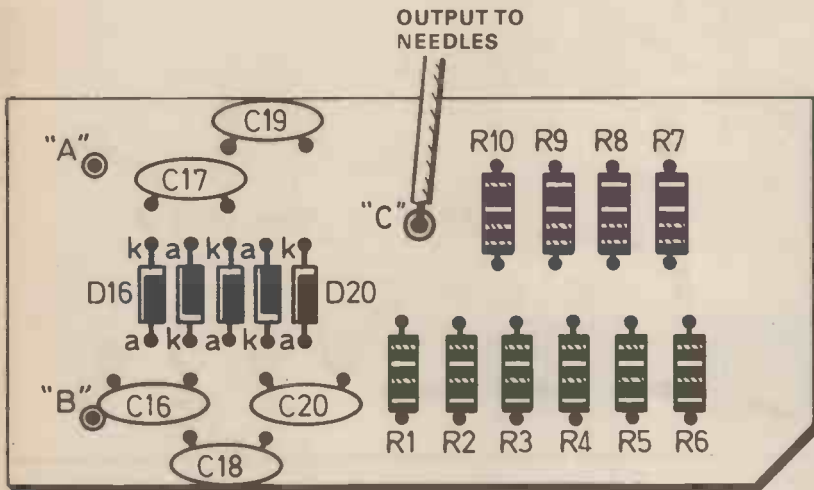
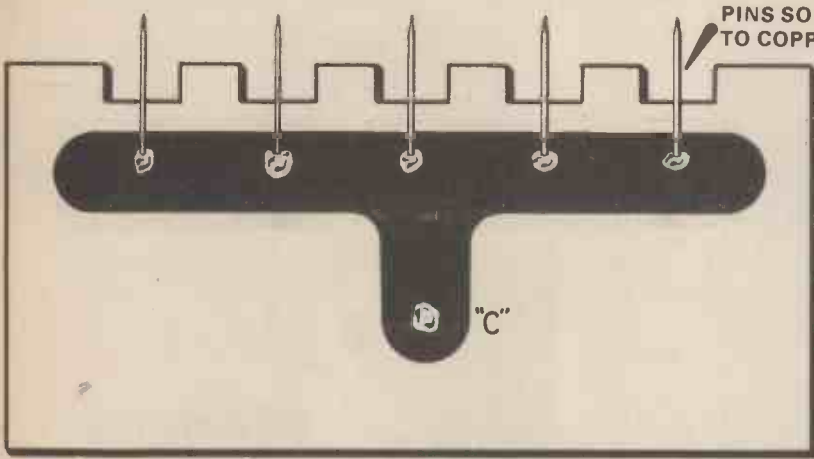


Fig. 3. (a) needle board with pins in position; (b) 5-stage multiplier board, component side; (c) 15-stage multiplier board, component side.

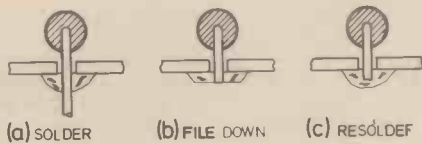


Fig. 4 left. Obtaining smooth rounded solder joints.

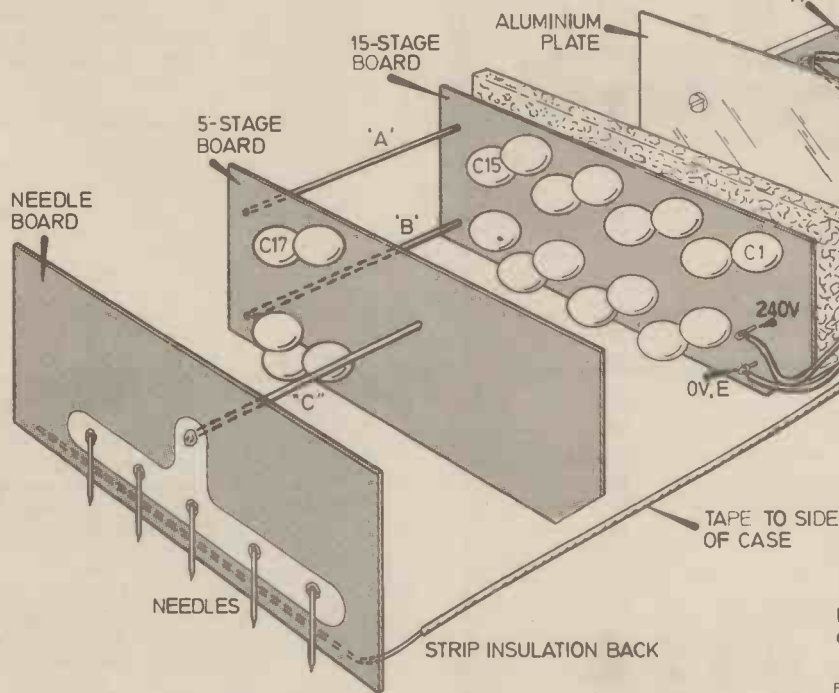


Fig. 5. General assembly and interwiring of the Negative Ion Generator.



a

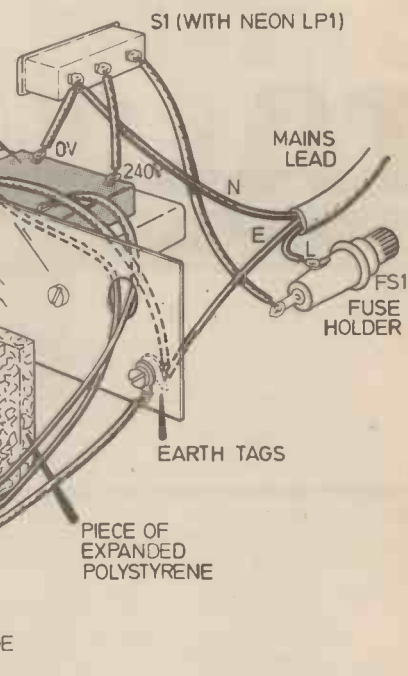


Fig. 6. Output monitoring device: (a) printed circuit board; (b) general assembly.

SOLDER JOINTS

Since ion currents will flow from any sharp point, the solder joints on the p.c.b.s should be smooth and rounded without any sharp protruding ends of component leads. The best way to achieve this is to fit the components and solder as usual, then crop the leads, file them down close to the board, and finally, run over them once more with iron and solder to obtain a smooth, rounded finish. Fig. 4 shows this in detail.

ASSEMBLY IN CASE

After the holes have been cut in the top of the case, for needles, switch, fuse and lead, the unit can be assembled. Fig. 5 shows the arrangement of the boards and other items, together with all interconnections.

Some form of clip should be used to secure the mains cable. The mains switch on the original is of the type with a built-in neon that glows when operated, a

worthwhile indication that the unit is running.

The transformer is mounted on a piece of aluminium the same size as the p.c.b.s, which is then earthed. All the connections between the boards should be kept short and direct; the boards are designed so that interconnection points correspond.

EARTHED LEAD

An extra feature in this design is an earthed lead positioned across the box about 5mm away from the needles, held in place by adhesive tape. The chamfered corners on the two multiplier boards provide the space to run this lead from the earthed mounting plate. The purpose of this lead is to increase output; tests during the design showed that the ion emission almost doubled when it was fitted.

Finally, since the first multiplier board is rather close to the earthed aluminium plate, a piece of expanded polystyrene ceiling tile is placed between them to improve insulation.

USING THE IONISER

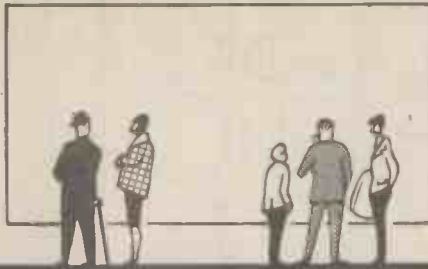
In use, the ioniser may be switched on and left running indefinitely; the power consumed is so low you'll be unable to spot it on your electricity bill. The needles may require replacement from time to time, although after six months use those on the prototype still appear to be in good condition.

A useful extra is some means of checking the output. Fig. 6 shows a simple device made from an off-cut of the p.c.b. with a neon lamp, and a capacitor. The lamp and capacitor form a simple relaxation oscillator that will start to flash quite frequently when held about 100mm away from the needles.

It should also be possible to hear a faint "rushing" sound at very close quarters, and, you may just be able to feel the movement of the repelled, charged air.

One final word of caution. Ionisers are not generally recommended for use by asthma sufferers, as the small quantities of ozone they give off may aggravate this condition. □

SHOP TALK



BY DAVE BARRINGTON

Catalogues Received

It is nice to see that even one of the giants of component stockists, namely **Maplin Electronic Supplies**, are quite happy to learn from the small guy and, unlike previous editions, have followed their lead and printed prices alongside the products on each page of the 1984 Maplin Catalogue.

Having to keep and continually use a large selection of components catalogues in the office, we have always found the practice of having prices alongside each item to be preferred to issuing separate pricing lists. However, with the rapid changes in costs, Maplin are only able to guarantee prices until February 1984 and will be issuing price change leaflets throughout the year as necessary.

A major addition to the new 500-page catalogue, a 20 per cent increase on the 1983 edition, is the recently introduced range of fully documented kits and educational courses from the world famous electronic kit specialists Heathkit.

The kits range from security alarms, digital clocks, personal weather stations and micro programming courses to (what they claim) the world's most user friendly robot Hero 1. Amongst other kits included in the catalogue is the "Matinee Organ", with a range of "voices" such as flute, cello or clarinet in a variety of tempos including waltz, slow rock or Bossa Nova.

The 37 pages of book listings and 60 pages of computer products, reflects the ever increasing growth in these areas. Also, on "special offer" is a comprehensive range of Atari micro software.

The Maplin 1984 Catalogue costs £1.35 (£1.65 to include postage and packing) and is available direct from **Maplin Electronic Supplies, Dept EE, PO Box 3, Rayleigh, Essex SS6 8LR**. Callers can obtain their copy from their stores in Birmingham, Hammersmith, London, Manchester, Southampton and Southend. It is also stocked by branches of W.H. Smith newsagents.

Although the latest edition of the **BICC-Vero Hobby Herald** carries over one-hundred new products and is prin-

ted on a superior quality paper from previous copies, it is a pity that they have considered it unnecessary to include any pricing guide.

The increased range now includes connectors for most applications including micros, telephone connectors, printed circuit board etching kits, cases and cable ties.

For your copy of the **BICC-Vero Hobby Herald** send 50p to: **BICC-Vero Electronics Ltd., Dept EE, Retail Department, Industrial Estate, Chandler's Ford, Hants SO5 3ZR**. When ordering state if you would like the name and address of your local Vero stockist.

CONSTRUCTIONAL PROJECTS

Negative Ion Generator

The isolating transformer used in the *Negative Ion Generator* was obtained from Maplin Electronic Supplies and has a ratio of 1 to 1 between primary and secondary (240V/240V). This is a 12VA type with a maximum current rating of 50mA and should be ordered as: LW33L (Tr 240V Isotran).

Due to the very high voltages present in this project, it is important to use top quality high voltage capacitors with a working voltage of 1000 volts. The ones used in our model are disc ceramic types obtained from **Ambit International** and have an Order code: 04-10312.

Disc ceramic capacitors are stocked by most of our advertisers and as a quantity of 20 is required it may be worth investigating a "special price" on a bulk order.

Loudspeaker Protection Unit

The relays used in the prototype *Loudspeaker Protection Unit* are high power types and were obtained from Maplin. These relays have contact ratings of 10A and should be ordered as: YX 97F (10A Mains Relay).

The terminal "posts" for connecting the loudspeaker leads to the unit are the **Quick Connection Terminals** also available from Maplin. These are spring-loaded push-button types mounted on a Paxolin strip and should be ordered as: BW71N (Quickterm Push).

Signal Tracer

The semiconductor devices, types LM387N and BF244B, used in the *Signal Tracer* are stocked by Enfield, Cricklewood, Magenta Electronics and Maplin.

When ordering the potentiometer with integral switch, for the gain control VR1, be sure to order one with a "Log" or logarithmic law operation.

Car Warning Light

The 12V piezo-electric buzzer used in the *Car Warning Light* project was purchased from a Tandy Store. This should be ordered as catalogue number 273-060.

Microcomputer Interfacing Techniques

The 6522 interface adaptor i.c. used in the *Oric Port Board* is listed by Cricklewood Electronics, price £3.19.

Temperature Measurement and Control System for ZX Computers

The relays used in the *Relay Driver Unit* could prove troublesome to locate. These are double-pole single-throw types with contacts rated at 5A and have a coil resistance of 200 ohms.

A similarly rated relay is stocked by Maplin under their miniature mains relay range. This relay may be used but the printed circuit board will have to be adapted to take the relays or "flying" leads to the board used, i.e. relay mounted upside down with leads from tags to board locations.

The relays should be ordered as: YX98G (5A Mains Relay). Note that one set of contact tags will be left unconnected.

We cannot foresee any component purchasing problems for the **Eprom Programmer/ROM Card for the ZX81**.

Teach-In 84

Readers wishing to purchase kits for the new *Teach-In 84* series may obtain them from the following advertisers. Prices appear in their relevant advertisement in this issue.

SUPPLIERS OF KITS FOR TEACH-IN 84

Please refer to advertisement on page stated.

Greenweld Electronics (page 76)
43 Millbrook Road,
Southampton, SO1 0HX.

Magenta Electronics (page 140)
135 Hunter Street,
Burton-on-Trent, Staffs
DE14 2ST.

TK Electronics (page 138)
11 Boston Road,
London, W7 3SJ.

Please mention
EVERYDAY ELECTRONICS
when replying to
products mentioned
on this page
and to
Classified Ads

LOUDSPEAKER PROTECTION UNIT

BY J. DUFFY

WHETHER for hi-fi or PA applications, loudspeakers are often the most crucial elements in a good sound system. They are also the most expensive to repair, so it is therefore worthwhile offering some form of protection to their voice coils and cones.

The Loudspeaker Protection Unit offers active protection on two channels against high d.c. voltages and excessive music power without interfering with the signal path.

CIRCUIT DESCRIPTION

The complete circuit diagram of both channels is shown in Fig. 1. The battery

(B1) is common to both channels.

The output from the amplifier is connected to the input terminals of the LS Protection Unit and then fed via relay contacts RLA1 (normally closed) to the output terminals and the loudspeakers. This input signal is monitored by R1 and bridge rectifier D1 to D4.

R1 prevents loading of the amplifier, while rectifying the signal enables the unit to trigger on both positive and negative going signals. The rectified signal goes into VR1 which allows the peak signal to trigger IC1a, one of four CMOS 2-input NOR gates in a 4001 package.

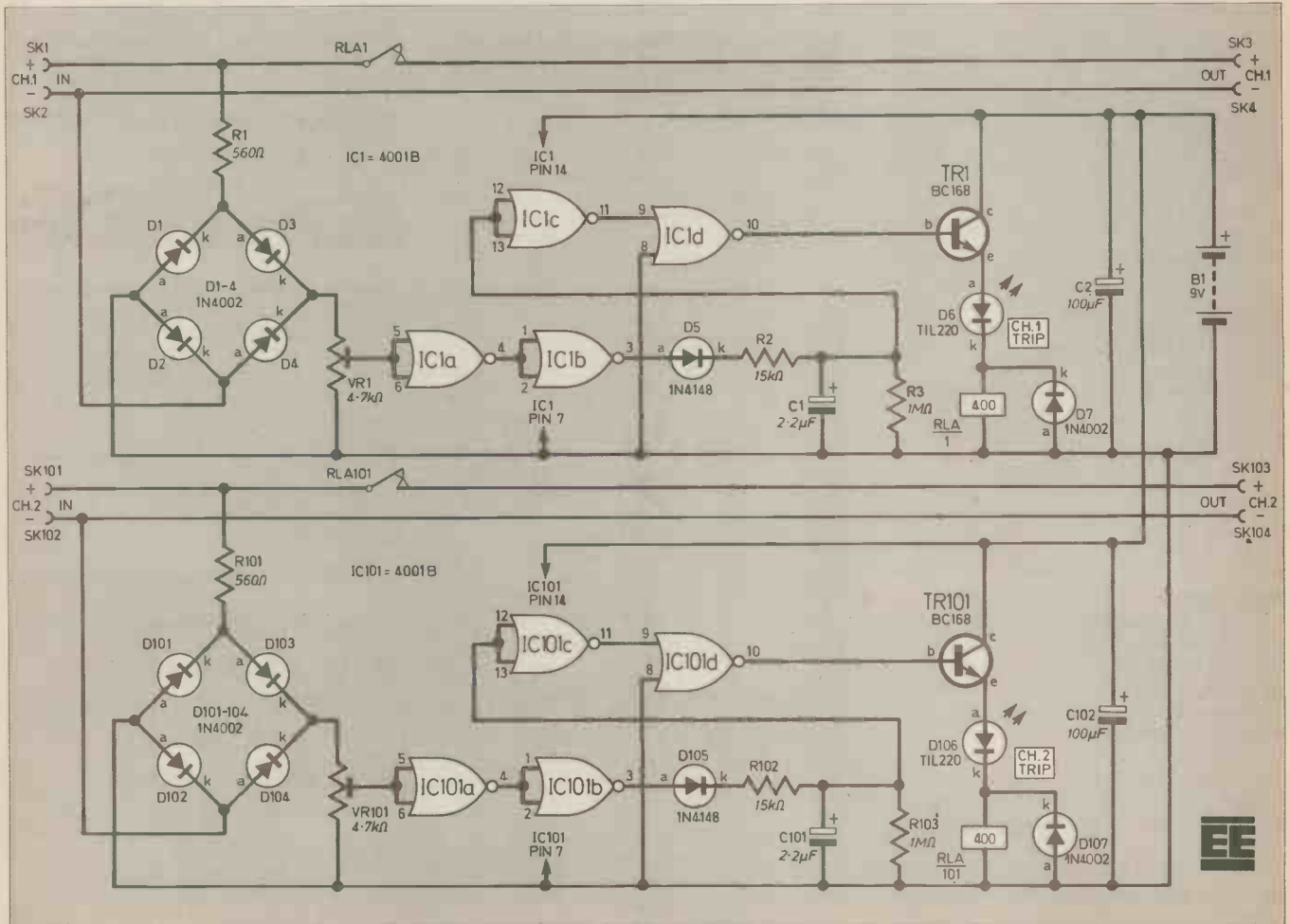
When the input of IC1a rises above half the supply potential ($V_{SS}/2$), the gate

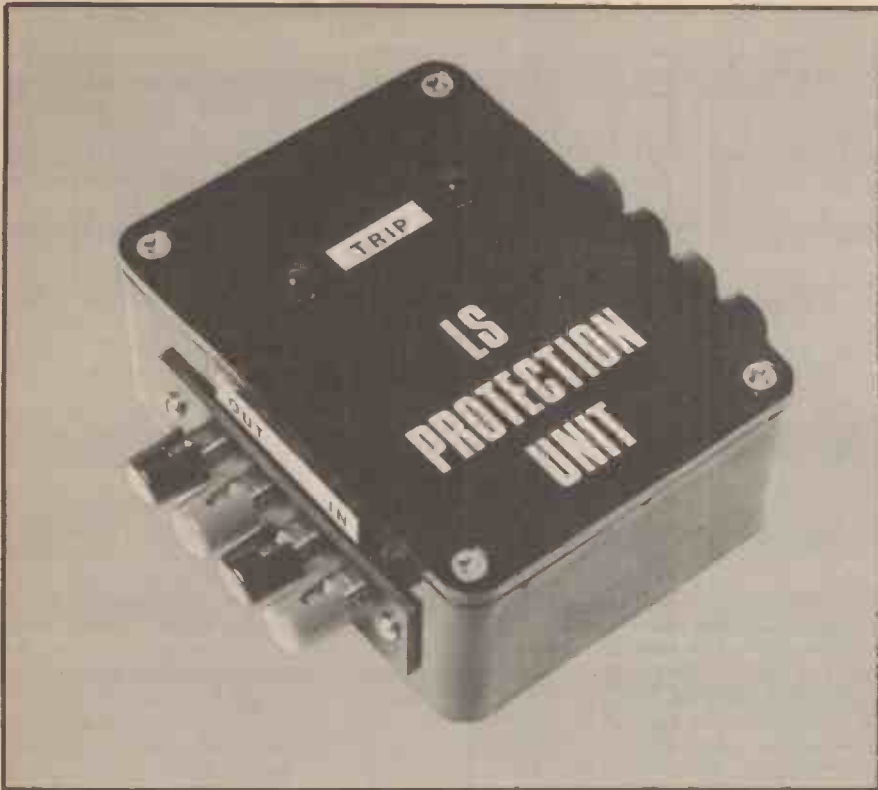
switches state. The output goes low and is inverted by IC1b, so that its output is now high. The positive pulse at the output of IC1b charges C1 via D5 and R2 and it takes approximately 20ms for the voltage to rise to a potential high enough to trigger IC1c. It remains at this potential for about 1.5 seconds, as the only path for C1 to discharge is through R3.

The output of IC1c is inverted by IC1d and drives the relay RLA1, and the l.e.d. D6, via TR1. D6 lights up only when the relay is activated and acts as a "trip" indicator.

The relay simply disconnects the amplifier signal from the output terminals thus protecting the speakers.

Fig. 1. The circuit diagram of the Loudspeaker Protection Unit showing both channels.





DELAY TIME

The use of a 20ms delay before triggering was found to be practical when using the unit with normal music signals in which the peaks may often rise above the specified loudspeaker r.m.s. handling power. However, the mean power going to the speaker is still below the r.m.s. power.

The graph in Fig. 2 shows the typical power handling capabilities of a good 6W

music on the other hand, usually has a high dynamic range and the unit will allow some peaks to pass since a lot of the range is used for peaks.

This allows over-rated amplifiers to be used confidently. If excessive peaks occur frequently, C2 will remain partially charged and the delay will fall below 20ms before cutting out, thus protecting the speaker against short frequent excessive power bursts.

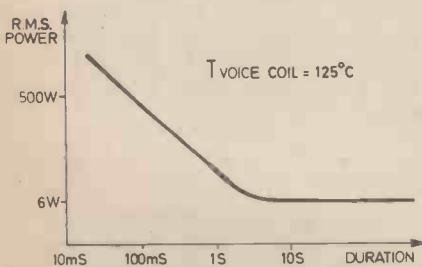


Fig. 2. Power handling of a 6W speaker.

r.m.s. speaker for different lengths of time. It can be seen that short intermittent peaks of power will not burn out the voice coil, provided that the mean power is within the speaker limits.

However, "megawatts" of power should not be shoved into speakers, even for very short durations, as the suspension suffers irreparable damage.

The 20ms delay should be adequate protection for both modern and classical music. In modern or pop music, the level is often compressed and limited so that the mean power would almost equal the r.m.s. power with a few peaks. Classical

COMPONENTS

See
**Shop
Talk**
page 87

Resistors

R1,101 560Ω (2 off)
R2,102 15kΩ (2 off)
R3,103 1MΩ (2 off)
All ¼W carbon ±5%

Capacitors

C1,101 2.2μF 16V elect.
(2 off)
C2,102 100μF 16V elect.
(2 off)

Semiconductors

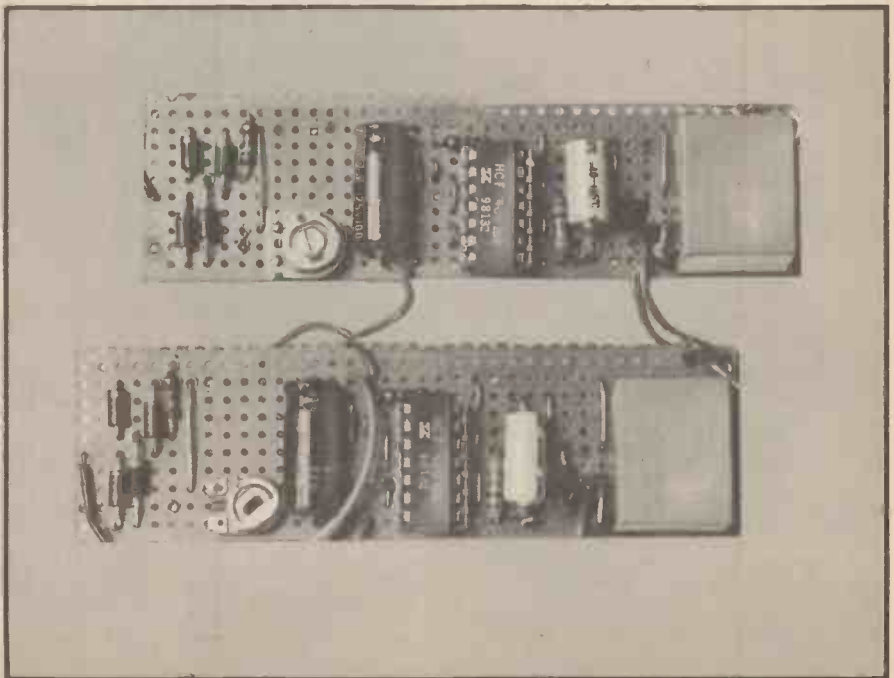
D1-4,7,
101-104,
107 1N4002 (10 off)
D5,105 1N4148 (2 off)
D6,106 TIL220 0.2in red l.e.d.
(2 off)
TR1,101 BC168 npn silicon
(2 off)
IC1,101 4001B CMOS quad
2-input NOR gate (2 off)

Miscellaneous

RLA1,101 sub-miniature relay,
12V, 400Ω coil, 10A
contacts (2 off)
VR1,101 4.7kΩ miniature
horizontal preset (2 off)
SK1-4,
101-104 strip of four push-button
terminals (2 off)
B1 9V PP3 battery
Case, 100 x 75 x 41mm with
internal guide slots; 0.1in. matrix
stripboard, 10 strips x 37 holes
(2 off); l.e.d. clip (2 off); 14-pin i.c.
holder (2 off); battery clip;
7/0.2mm wire; M2.5 or 6BA
screws and nuts.

Approx. cost
Guidance only

£8.30



LOUDSPEAKER PROTECTION UNIT

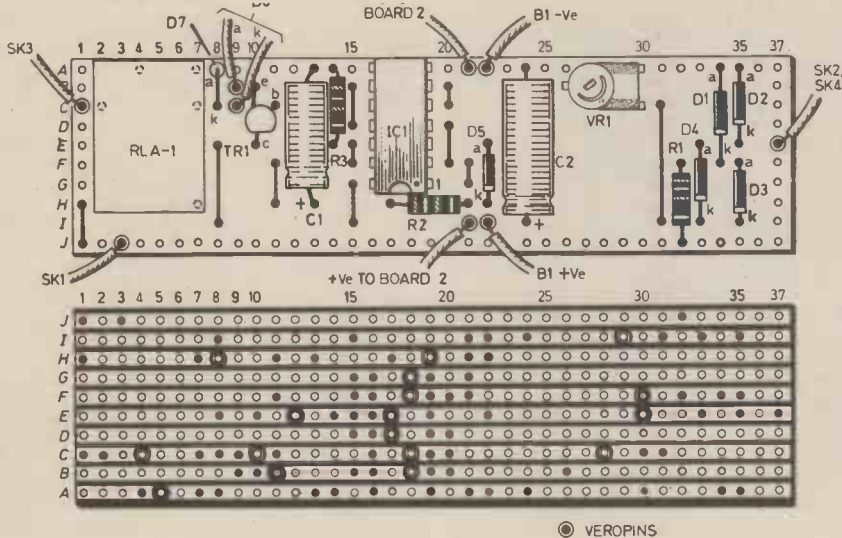


Fig. 3. Component board layout and track-break diagram for one channel of the Loudspeaker Protection Unit. The other channel is identical except for the power connections; the wires marked "to board 2" go to the power tracks (I22 and A22 for positive and negative respectively—see text).

View inside the unit showing the mounting of the two boards and the battery compartment in the case.



CIRCUIT BOARD

The layout for the component board is shown in Fig. 3. Two identical boards are required (one for each channel), the only difference being the battery clip is soldered to one board only and wire links connect the power to the other board as shown.

The board is completed in the usual manner with the breaks on the underside being made first, followed by the i.c. holder, links and components. Lastly, insert the i.c., taking care not to handle the pins as CMOS devices are static sensitive. Before the interwiring is completed, the case must be prepared.

THE CASE

A plastic box measuring 100 x 75 x 41mm with moulded internal p.c.b. guide slots is used to house the Loudspeaker Protection Unit, and the two component boards fit neatly lengthways in this case.

It is advisable to try the boards in the case (prior to any components being inserted) to ensure a good fit. The sides of the case carry the input and output terminals (SK1 to SK4 and SK101 to SK104) and these are push-button quick connection terminals and are available ready mounted on a piece of paxolin in strips of four (Maplin order code BW71N).

Four clearance holes for the tags on the terminals and two mounting holes are required each side and then the strip is assembled as shown in the photographs. The lid houses the two l.e.d.s (D6 and D106) at one end as shown.

The wiring is completed at this stage, and the board slotted into the case observing clearances for the relays (the highest component on the board) and the PP3 battery. The inputs and outputs and trip indicators can now be labelled.

An alternative method of housing the Loudspeaker Protection Unit is in two separate cases, each with its own battery, and positioned within each speaker cabinet.

SETTING-UP

When the unit is complete, it can be inserted into the speaker wires, carefully observing the polarity. At this stage the lid should be off and the boards removed to gain access to the presets VR1 and VR101.

A good quality mono signal (for example f.m. radio) should be sent to both speakers. VR1 (and VR101) is then adjusted to the point where the desired trip level is reached at the maximum volume level acceptable to the speakers. Each channel should trip at the same level (hence the use of a mono signal for setting up).

Since current quiescent consumption is in the order of microamps, the unit should work reliably for a long time—unless activated regularly which is certainly not recommended! □

FOR YOUR ENTERTAINMENT

BY BARRY FOX

Exhibitionist

I seemed to spend weeks on end last autumn doing little else but visit electronics exhibitions. This despite the fact that the annual Harrogate Show was cancelled, for lack of support.

In previous years this once-homely North of England show had grown too big and expensive for its own good. The snag is that Japanese companies see it as lost face to put on a small demonstration. But they don't want to spend £40,000 or £50,000 on what is essentially a local show.

The plan is to re-launch Harrogate this year on a smaller scale. Let's hope it works because Harrogate has always been the most friendly of all exhibitions.

Last year, instead of Harrogate there was a specialist hi fi exhibition out at the Heathrow Penta Hotel. There was not a video game or video recorder in sight, which pleased genuine hi fi enthusiasts who attended. They have grown increasingly bitter over recent years, that exhibitions billed as "hi fi" turn out to be knee-deep in video screens.

However, attendance at Heathrow was below expectations. The perennial problem is that the hotels round Heathrow Airport are awkward to get to and the hotel car parks are always full.

Big Show

If Harrogate is the friendliest, then the Berlin Radio Show, or Funkausstellung, is the largest. It spreads through 25 exhibition halls, two pavilions and a giant summer garden where German radio and TV stations build outdoor studios.

The Berlin show runs (every other year) for 10 days and draws around half a million visitors into the city. You need several days to cover even part of it properly.

The only exhibitions to rival Berlin are the Chicago Consumer Electronics Shows held every year in June and the Japanese electronics exhibitions. But the Chicago CES is for trade only, and Japan is a long way to go for an exhibition!

Britain desperately needs a big consumer electronics exhibition, because it's the only way that the public can get a chance to see a cross section of everything that's available and due soon in the shops. There used to be an annual show at the Olympia Hall in London, but in the mid-70s it failed.

There were industrial relations problems that meant that the stands were often not finished in time for opening day. Union demarcation meant that carpenters couldn't fix wires, and painters couldn't fix wood.

Exhibitors used to carry a pocket of £5 notes to feed the work along. One by one the big names pulled out and the public stopped paying to come in. So more names pulled out and the show went into limbo for several years.

Show Down

The latest attempt at re-establishing the Olympia tradition was the "Great Home

Entertainment Spectacular" which ran for nine days last September. Some exhibitors gave sterling support. National Panasonic and Technics, for instance, were reputed to have spent nearly a quarter of a million pounds on their vast display and 200-seater theatre with music and live dancing by American groups.

This is routine for the Japanese and Berlin shows, where every major manufacturer features live music, competitions or broadcasts in front of a seething mob of visitors. But it is the first time that anything like it has been tried in Britain.

JVC, TDK, Thorn-EMI, GEC, ITT and Agfa all put on worthwhile displays. So did a string of video games' manufacturers who built arcades for their machines. Some firms, notably Sony and Philips, didn't join in.

In the short term they are probably the winners, because attendance at Olympia was very poor. But in the long term everyone is the loser, because it's highly unlikely that National Panasonic and the other exhibitors will spend the same kind of money this year. In fact, it's unlikely that there will be another show.

Why didn't the crowds flock to Olympia? The organisers had been talking about 200,000 paying customers. There's no simple answer, but if the show does happen

Oil Burners

Last year (Oct/Nov 1983) the popular press made much of the story that CB enthusiasts, using illegal booster amplifiers or "burners", could upset the electronic gauges in petrol pumps. That way, said Fleet Street, drivers got petrol for as little as 40p a gallon.

Not surprisingly the motor trade, the police and the Government, which gets duty and tax from petrol, were all very worried. Within a few days the Department of Trade and Industry had issued a warning. "The use of high powered transmitters adds considerably to the risk of causing an electric spark close to the filling nozzle and an explosion could occur in some circumstances". So was this just the bureaucrats way of deterring CB buffs from getting cheap petrol, or is it a genuine warning?

Any radio transmission will induce a voltage in a metal rod that acts as an aerial. If the transmission power is high, the range short and the rod length tuned to the transmitted wavelength, then a significant current can be generated in the aerial.

There are apocryphal tales of farmers, with fields near medium and long wave radio transmitters, who get free power for their cowsheds by erecting large metal mesh aerials. Nikola Tesla, the man who developed the first a.c. power system while Edison was enthusing over d.c., experimen-

again there are some important lessons to be learned.

Perhaps readers who went along will have some thoughts of their own. For the trade, nine days is too long. It takes two working weeks out of a firm's business life. Also the show was scheduled for school term time, which inevitably cuts back on family participation during the week.

Admission at £3 for adults and £2 for children under 12 years is steep even in these days of inflation. And it didn't seem clever to effectively close the show for a day, on the Monday after the first weekend, by making it open to press and trade only up to tea-time.

Questionable Service

No fault of the organisers, but the tube train service to Olympia is terrible. I came back from Germany a day early just to attend the opening press conference. But I missed half of it through waiting on Earl's Court Station for the "Special" train to take me the last leg of the journey.

The press conference, too, told a tale. A curiously unrepresentative bunch of journalists were present.

The organisers didn't seem to know the names of the freelance journalists who write most of the articles you read in the hi fi, video and electronics press. As a result there were hardly any searching questions asked, and the answers given by a panel of trade figure heads were largely waffle.

What a sad contrast with the Berlin Radio Show. This starts off with a press conference at which a panel of electronics and broadcast experts give crisp and well informed answers to searching questions put by 200 journalists who really know their field. There is even simultaneous translation into three languages so that everyone knows what's going on.

ted with the transmission of high power over miles without wires between aerial towers.

Ham radio enthusiasts can legitimately use 100W f.m. amplifiers in their cars. But they have always been warned not to use them in petrol filling stations.

If the transmitter induces power in some part of the pump, then a spark may leap down to earth through the filling nozzle while it is pouring petrol into a car. Obviously the last place you want a spark is at the business end of a petrol nozzle!

CB enthusiasts are not allowed by law to use powerful amplifiers, but many of them do because it helps them blast lower powered stations off the air. This is why CB radio is now virtually unusable in most major cities in Britain.

Superficially the idea of using a CB burner to fool a petrol pump makes sense. Any logic circuit, with clock control, can be upset by high power radiation. This is why military electronic equipment is heavily screened.

But you cannot be sure whether radiation will make a clock run faster or slower. So blitzing a petrol pump with a CB burner could actually cost you more for your petrol. With a bit of bad luck, it could also cost you your life.

EPROM PROGRAMMER/ROM CARD FOR THE ZX81



BY B. W. TERRELL B.Sc. & J. W. TERRELL M.Sc.

THIS project has been specifically designed and developed for use with the ZX81 Personal Computer. It is a dual purpose piece of equipment which is capable of operating in two modes, as described below.

It will program the single supply rail 2716 from Intel, and other manufacturers compatible types. The 2716 holds 2048 bytes of data.

In the programming mode, the unit functions as a Programmer for burning data into the 2716 to provide a permanent storage medium for programs/data/routines for use with the ZX81, other computers, or dedicated micro-processor and other projects. It requires only the basic ZX81 with 1K bytes of memory.

In the ROM mode, the unit acts as an extension ROM card for use with the ZX81 and is memory mapped into the system.

THE 2716 EPROM

The pin-out for the 2716 single supply rail EPROM can be seen in Fig. 1. The 2716 requires only a 5V d.c. supply, +5V to pin 24, and 0V to pin 12. The eleven address inputs, A0-A10 allow any of the 2048 locations to be uniquely addressed. Each location holds 8-bits (a byte) of information and these are read or written to (programming mode) via the eight data lines D0-D7. Whether the 2716 is in the read or programming mode is determined by the voltage levels on the other three inputs: V_{pp}, CS and PGM.

To set the 2716 in the *read* mode, the following conditions must exist: V_{pp} at +5V, PGM at logic 1, CS at logic 0. D0-D7 are outputs. To set the 2716 in the *programming* mode, the following conditions must be met: V_{pp} at 26V, PGM at logic 0, CS at logic 1. D0-D7 are inputs. Pulsing the PGM pin to logic

1 for 50 milliseconds burns the data present on D0-D7 into the location addressed by A0-A10.

CIRCUIT DESCRIPTION

The complete circuit diagram for the system is shown in Fig. 2. The EPROM to be programmed (or read) is situated in the previously unused memory space from 8K to 16K in the ZX81. Address decoding is particularly simple using only A14 and A13 together with MREQ.

Normally in the ZX81, any memory read requested in the 8K to 16K range will produce a read from the ZX81 ROM situated from 0K to 8K. However, with the unit in circuit, for all locations addressed within the 8K to 16K block (A14=0, A13=1) a logic 1 is produced at IC1b output, pin 12, which over-rides the command to the ZX81 ROM chip select (ROM CS) causing it not to be selected. Instead, the EPROM on board the unit is selected. This over-riding action is achieved using diode D1.

The EPROM can be considered to reside between 2000H and 27FFH, but since address lines A12 and A11 play no part in the decoding, decoding is not unique. Identical results would be obtained if the EPROM was considered to reside in either (a) 2800H to 2FFFH or (b) 3000H to 37FFH or (c) 3800H to 37FFH. This ambiguity however has no effect whatsoever on performance.

The CPU memory read signal RD is used by the circuitry to differentiate between a read and a write to the second 8K block of memory. RD goes to logic 0 during a read cycle. This is indicated by the "bar". During a memory read or write cycle, MREQ also goes to logic 0. If it is accompanied by RD going low, the circuitry determines that a memory read has been requested. If MREQ goes low, but RD remains high, then the logic knows that a write is being requested. (A write to an EPROM may only be carried out in the programming mode when data is burned into the appropriate location.)

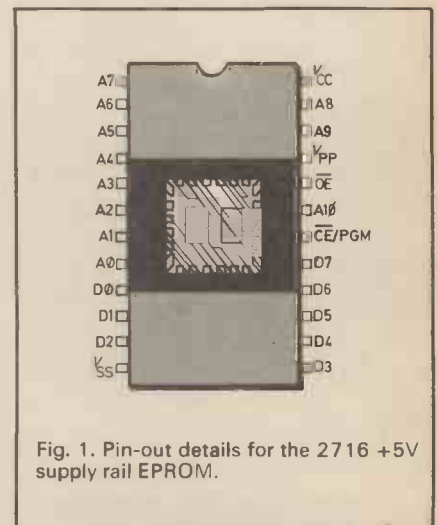


Fig. 1. Pin-out details for the 2716 +5V supply rail EPROM.

The output of IC1b produces a logic 1 when 8K to 16K is being addressed, and a logic 0 at all other times. This signal reaches both IC2a and IC2b. Now IC1c acts as an inverter, so \overline{RD} reaches IC2a, and the inverse of \overline{RD} reaches IC2b. Consider a memory read to 2000H for example: IC2b output at pin 6 goes low with IC2a output remaining high. It can

be seen that IC2b output feeds the \overline{CS} (chip select) pin on the EPROM. A low on this pin enables the data in location 2000H (the first EPROM location) onto the ZX81 data bus.

If \overline{RD} remains high during a memory cycle addressing the 8K to 16K block, IC2a output, pin 3, goes low with IC2b output remaining high. This falling level

reaches the trigger input of IC3. IC3 is a TTL monostable multivibrator which produces a presettable duration logic high at its Q output when triggered. The time for which Q stays high is set by the values of C1 and VR1. These components should be set to produce a high-on time of 50 milliseconds as required for successful EPROM programming.

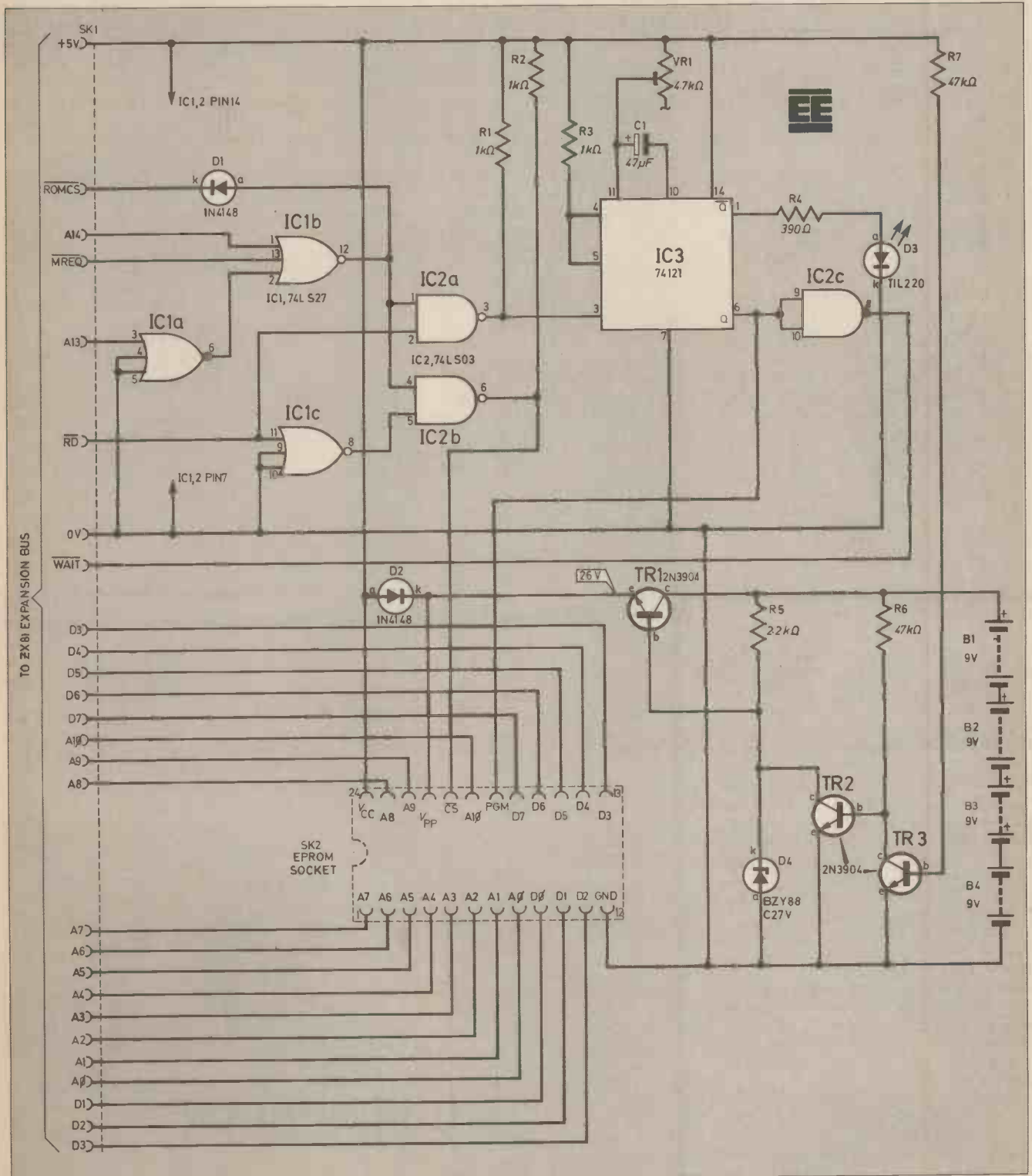


Fig. 2. Complete circuit diagram of the Eeprom Programmer/ROM Card for the ZX81.

CONSTRUCTION

PRINTED CIRCUIT BOARD

The circuitry is assembled on a double-sided printed circuit board. The actual-size master p.c.b. pattern is given in Fig. 4. This board (calibrated, see below) is available from the *EE PCB Service*, Order code 8402-01. The board will be supplied ready calibrated because the programming timing pulse needs to be set precisely. It must be 50 milliseconds $\pm 10\%$. If these limits are exceeded, the EPROM may become damaged if it is too high, and only partially programmed if the timing pulse is less than 45ms. The board therefore contains VR1, C1 and IC3 in its socket. VR1 position is sealed and should not be altered.

The layout of the components on the board topside (side containing the reference number) is shown in Fig. 3.

Although the order of component assembly is not critical, you will find it much simplified if you follow the procedure set out below.

EDGE CONNECTOR

The edge connector should be fitted with a polarising key in the correct position to align the board contacts with the ZX81 bus. It is necessary to remove (clip off) pins lower 4 and 6. Double-sided tape should be laid on the board topside where the edge connector pins come in contact with the bare board. Position the edge connector pins to align and be in contact with the copper tracks they are to be connected to.

The Q output directly feeds the PGM pin on the EPROM, pin 18. Providing that V_{pp} is at 26V, the information on the data bus at the time will be burned into the EPROM by this pulse. If the 26V is not present, the EPROM contents will remain unchanged.

The Q output is also inverted by IC2c to produce a 50ms low pulse. This gate has an open collector output which is suitable for feeding the ZX81 WAIT line. A low level on WAIT will freeze CPU action and hold the data and address bus information for the duration of the WAIT low time. Thus during a memory write to the 8K to 16K block, the information on the data bus is burned into the EPROM location pointed to by the address bus when the 50ms pulse reaches the PGM pin.

After 50ms, WAIT is returned to logic high and the CPU resumes operation.

The i.e.d., D3, acts both as a power on indicator and a programming pulse indicator, turning off during a burn.

POWER SUPPLY LINES

The unit requires two d.c. supply lines: +5V to power the on-board devices, and a 30V to 36V supply for use in the programming mode. The +5V supply is derived from the ZX81 internal supply via the edge connector. The 30V to 36V supply is to be supplied by the user and may be either a battery supply (such as 4 \times PP3s connected in series) or may be mains derived.

The external supply is connected to the unit via a PP3 battery clip if this type of battery is chosen.

When the external power supply is connected, it reaches TR1 collector; TR1 forms part of a voltage regulator circuit which provides a stable 26.3V to V_{pp} . D4 is a Zener diode, and voltages greater than 27V placed across R5 and D4 cause the Zener to "switch on". This action clamps the base of TR1 at 27V and produces a 26.3V at the emitter (27V minus the voltage dropped across TR1 base/emitter junction).

When disconnecting the power supply lines from a 2716, it is important that the V_{pp} supply be removed before or at the same time as the 5V supply. If not, permanent damage to the EPROM will result. To prevent such an occurrence, protection circuitry has been included in the design. This is composed of TR2, TR3, R6 and R7.

Consider both supplies reaching the circuitry. Resistor R7 connected to +5V causes TR3 to be turned on fully; its collector is at 0V. Consequently, TR2 is not conducting, it is turned fully off. Its collector voltage is at 27V, the level produced by the action of the Zener diode, D4, and 26V approximately reaches V_{pp} .

If the 5V is now removed, TR3 immediately turns off. TR2 is now biased fully on by R6, and TR2 collector falls to 0V, effectively short circuiting D4 and grounding TR1 base. This turns off TR1 and no voltage reaches V_{pp} .

Push the pins onto the adhesive tape. This will hold the 22 top pins in place while they are being soldered. Solder these 22 pins to the board.

The other set of edge connector pins will not at this stage be in contact with the tracks they are to be connected to on the board underside. Liberally tin all the pin ends. Next, using the blade of a small screwdriver, push the pin from above so that it makes contact with the appropriate track, and then solder. Continue to hold the pin in contact with the track until the solder has set. Repeat for the remaining pins.

ASSEMBLY DETAILS

Nine track pins are specified. These are used to interconnect the tracks on the two sides of the board. Insert these in the nine positions as indicated in Fig. 3 and solder them on both sides.

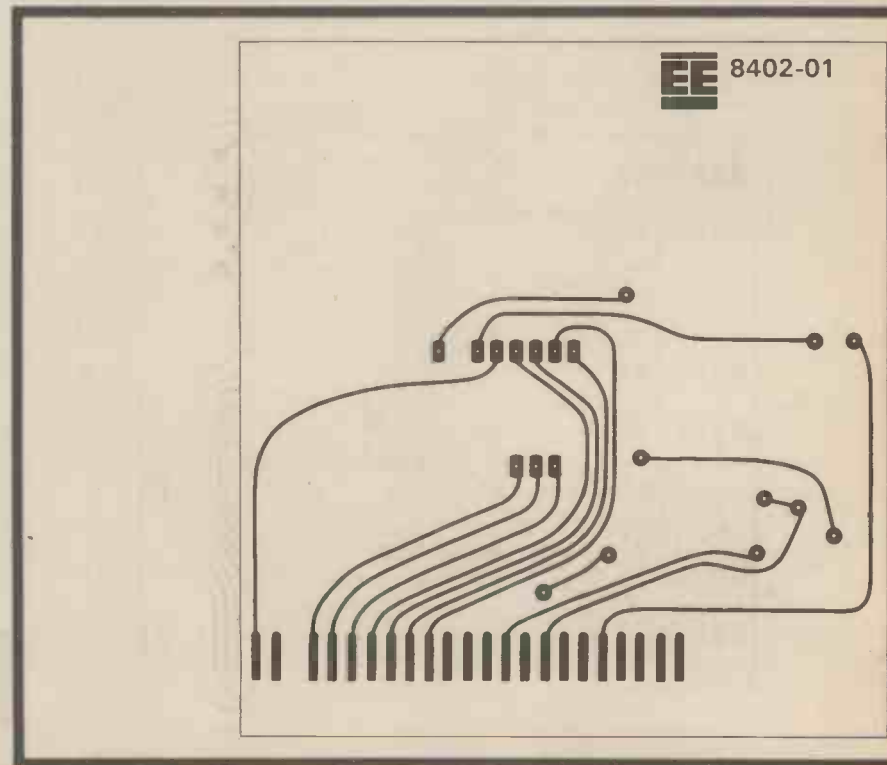
Position and solder the seven resistors to the board. Trim off the excess component lead using wire cutters. Note that resistor R2 also needs to be soldered on the topside track at one end.

Identify the Zener diode, D4. This will be marked with its type number which includes "27V". Solder this to the board paying attention to its polarity. The cathode (k) is indicated by a black band or tip at one end.

Solder the two remaining signal diodes, D1, D2 to the board paying attention to polarity. The cathode (k) will be marked with a band at one end of the body.

Solder the two 14-pin d.i.l. sockets to the board.

Insert the i.e.d., D3, in the board paying attention to polarity. The cathode (k)



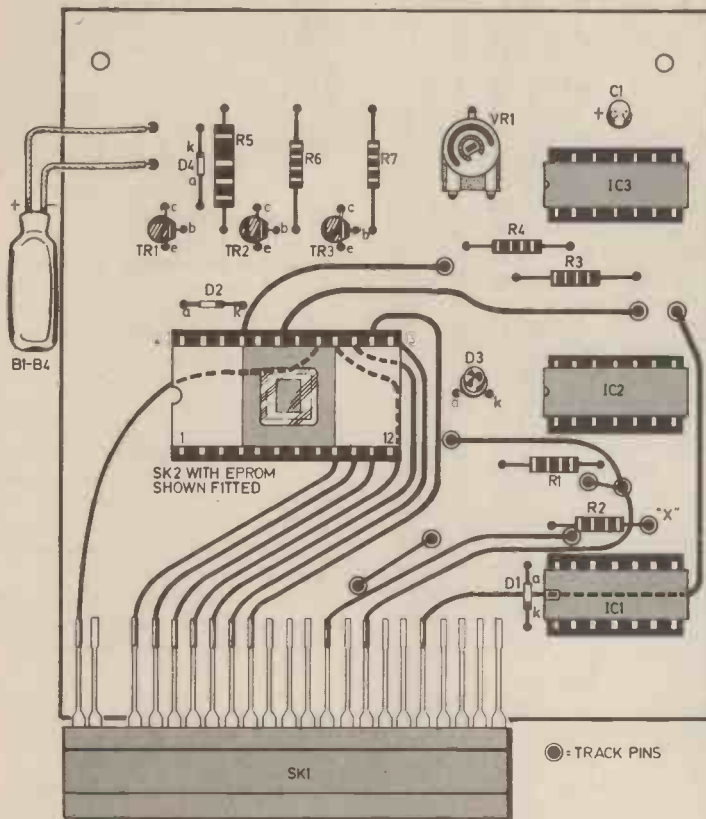


Fig. 3. The layout of the components on the board topside.

Fig. 4. The master patterns for the double-sided p.c.b. Left shows topside (component mounting side) below shows underside. Both are reproduced actual size. This board is available ready calibrated from the *EE PCB Service*, Order code 8402-01.

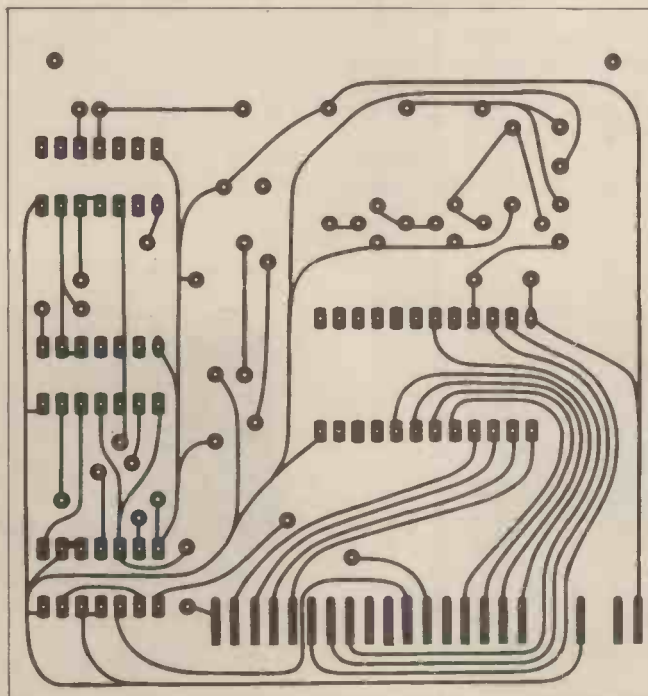
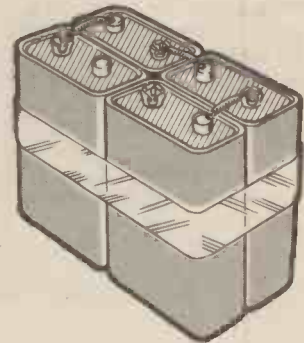


Fig. 5. Suggested method of interconnecting the four PP3 batteries to provide a 36V supply. A single battery clip only is required.



COMPONENTS

Resistors

R1,2,3	1 kilohm (3 off)
R4	390 ohm
R5	2.2 kilohm 1/2W
R6,7	47 kilohm (2 off)
All 1/2W carbon unless specified otherwise, ±5% tolerance	

Capacitor

C1	4.7µF 10V elect. radial leads
----	-------------------------------

Semiconductors

D1,2	1N4148 (2 off)
D3	TIL220 red l.e.d.
D4	BZY88C27V 27V 400mW Zener
IC1	74LS27 TTL triple 3-input NOR
IC2	74LS03 TTL quad 2-input NAND o.c.
IC3	74121 TTL monostable
TR1,2,3	2N3904 silicon npn switching (3 off)

Miscellaneous

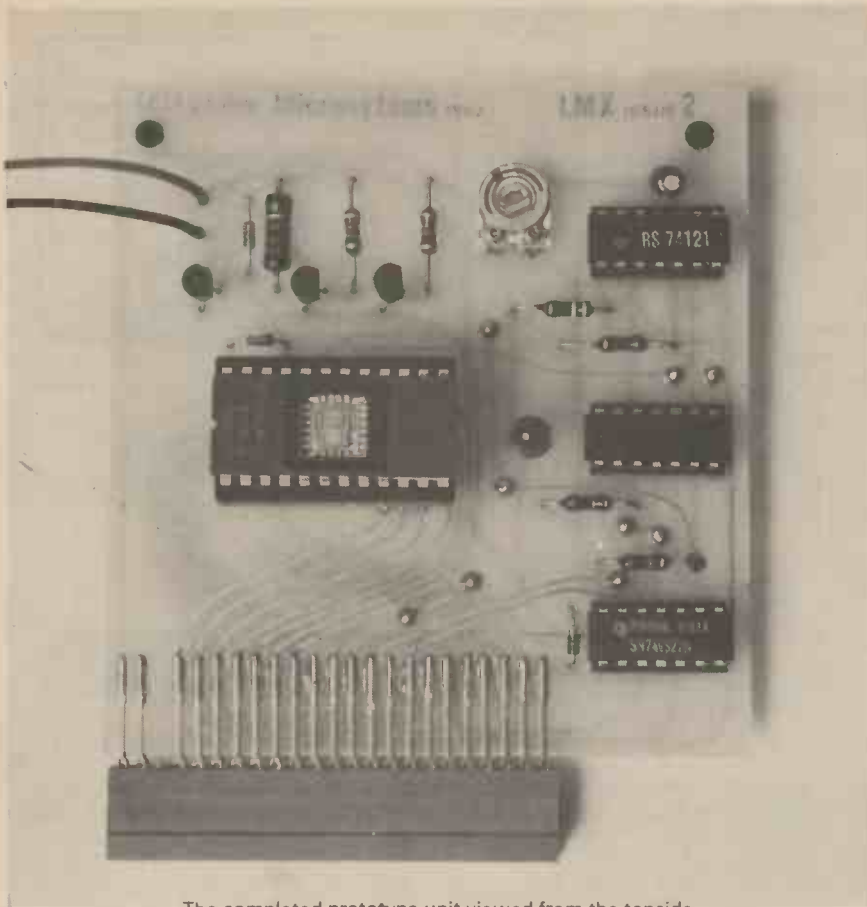
SK1	23 + 23-way edge connector wire-wrap pins
VR1	47 kilohm horizontal cermet preset

Printed circuit board: double-sided size 90 x 90mm, *EE PCB Service*, Order code 8402-01; PP3 battery clip; d.i.l. sockets; 14-pin (3 off), 24-pin wire-wrap pins (1 off); snap fixing stand-off pillars (2 off); track pins (9 off); insulated wire for battery links.

Software: T007 Eprom Programmer, ZX81.

Approx. cost
Guidance only

£16



The completed prototype unit viewed from the topside.

is the lead nearest to a small "flat" on the body of the i.e.d.

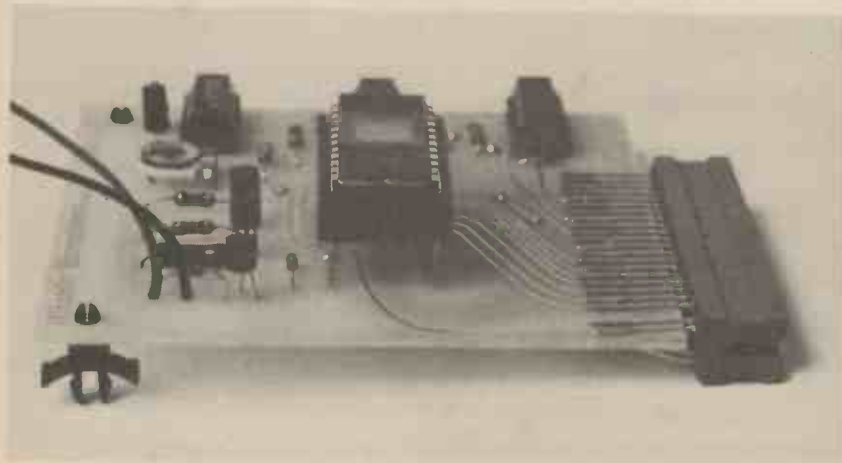
Do not cut the leads on the EPROM socket. Position the 24-pin wire-wrap d.i.l. socket on the board with pin 1 nearest to the edge connector; the pin numbers on the prototype socket were embossed on the socket, and these should correspond with the EPROM pin numbers. About 2mm of the leads should project through the other side of the board.

Carefully solder this in place. Pins 9, 10, 11, 13, 14, 15, 16, 17, 18 and 20 need to be soldered on the topside of the board also.

Solder the three transistors to the board as shown in Fig. 4 ensuring correct orientation and then solder the battery clip leads to the board. Make sure the leads are the right way round.

Push the two snap fixing stand-off pillars into their holes in the board. These

Shows how the plastic stand-off pillars act as support feet.



will support the board at the correct height above the work-base when in use.

Insert the i.c.s in their sockets ensuring they are correctly orientated. All i.c.s, including the EPROM, face the same way. There is a notch between pins 1 and 14 (IC1 to IC3) and pins 1 and 24 (EPROM). Sometimes a circular indentation will also be found alongside pin 1.

BATTERY PACK

Details for wiring up four PP3 batteries in series to provide a 36V supply using only one battery clip is shown in Fig. 5. The four batteries should be taped together before soldering. We have checked with a major battery manufacturer regarding the soldering to the battery terminals directly. This is in order providing the soldering iron bit is not excessively hot and the iron is not applied for too long. A cardboard box could be made in which to house the batteries, and a slot cut in the top to allow access to the two contacts.

Thoroughly inspect all soldered joints and check for possible solder bridges between tracks before proceeding.

DISPLAY AND KEYBOARD OVERLAY

The display is made up of three separate boxes as shown in Fig. 6. The first box, DISPA, holds the EPROM address which is currently being pointed to and also the contents of that location. The second, DISPB, holds the byte which is to be burned into the EPROM at the address pointed to by DISPA.

The third box, DISPC, is used to display one of two error codes. "P" stands for programming error and "V" for verification error. These are explained later. DISPC is also used to signify that a key has been pressed. For example, in Fig. 6, location 2429 is being pointed to and the location contains the byte 21. DISPB holds the byte 20 which could be programmed into location 2429.

The battery pack showing soldered connectors.



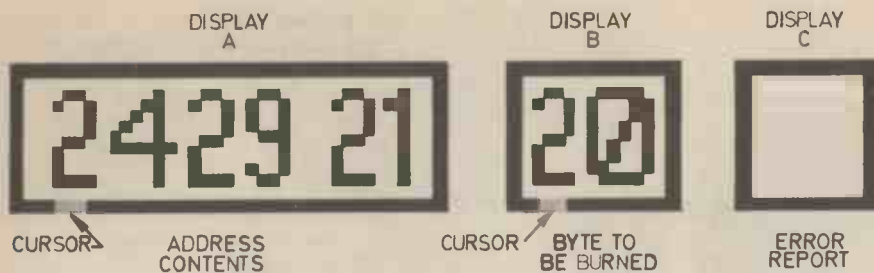


Fig. 6. Typical screen display during use. Note the cursor positions.

For reasons of key grouping and ease of use, many of the ZX81 keys have been re-defined and a keyboard overlay produced to identify these functions. The unused ZX81 keys have been disabled. This overlay can be taped over the keyboard using double-sided Sellotape. The keyboard overlay reduced in size is shown in Fig. 7. A full-size printed overlay is supplied with the software cassette available from the *EE Software Service*, see page 131.

The keyboard overlay is shown in Fig. 7. To change the address in DISPA, press and hold down the ADDRESS key and enter the appropriate hexadecimal character. The character pointed to by the cursor will be over-written and the cursor advanced. The contents part of DISPA is updated everytime the address in DISPA is changed.

To change the byte in DISPB, press the appropriate hexadecimal character without the ADDRESS key pressed.

INC increments the address in DISPA. DEC decrements the address in DISPA.

The addresses of DISPA form a circular sequence of 2K bytes. Thus if DISPA reads 0000 and the DEC key is pressed, DISPA will change to 07FF. Similarly, if DISPA reads AFFF and the INC key is pressed, DISPA will change to A800. This facilitates easy keyboard input from a hex listing in which the EPROM is to be used in some other system where it could reside in any 2K block within 64K.

TEST tests consecutive locations, from the address in DISPA, for FF and either displays the address of the first non-FF byte or the last EPROM address or the circular sequence described above.

For example, if DISPA points to 0000 and TEST is pressed, and DISPA changes to 07FF FF, then the entire EPROM is empty or erased. On the other hand, if DISPA points to 0213 while TEST is pressed and DISPA changes to 024B 21, then the section from 0213 to 024A is clear, that is, 024B contains the first non-FF byte.

Thus the TEST key is to be used for searching for clear sections of the EPROM.

BURN burns the byte displayed in DISPB into the EPROM address of DISPA providing that a programming error does not exist. The bits of an EPROM can only be programmed from a "1" to a "0". A programming error will occur if an attempt is made to burn a "1" bit into a "0" bit.

For example, if DISPB contains 22 and the contents part of DISPA contains 21 and the BURN key is pressed, a "P" will be displayed in DISPC. Bit 1 causes the programming error.

If there is a discrepancy between DISPB and the contents part of DISPA after the BURN key is pressed (assuming that a programming error does not exist), a verification error has occurred and a "V" will be displayed in DISPC.

This should not occur under normal circumstances, but if it does, it either means that the programming supply

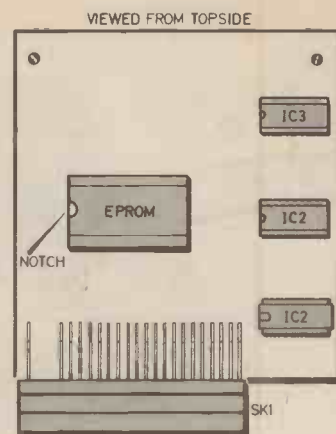


Fig. 8. The EPROM must be inserted in its socket as shown above, otherwise it will be permanently damaged.

voltage is not connected, or that a hardware fault has developed, or the EPROM is faulty.

TESTING

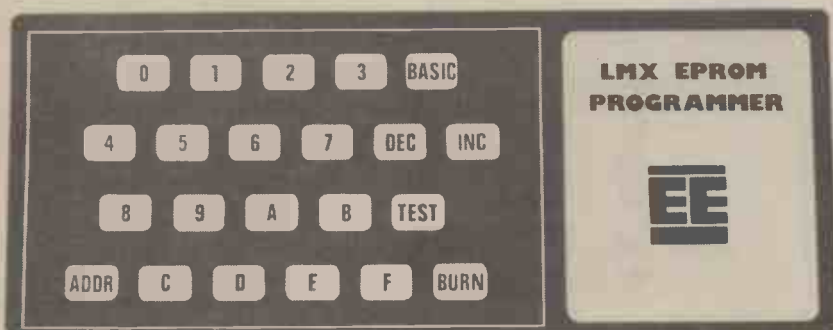
The unit should not be inserted at this stage.

1. Turn all power off.
2. Make sure that the EPROM socket is empty.
3. With the EPROM socket empty, plug the unit into the expansion slot at the back of the ZX81, taking care to align the slot in the printed circuit board with the polarising key on SK1 before applying pressure.
4. Turn on power to the ZX81. The l.e.d. (D3) should light up.
5. Enter the SLOW mode by pressing the SLOW key followed by NEWLINE.
6. Type PRINT PEEK 8192. You should get 255.
7. Now type POKE 8192,0. Even though the ZX81 is in SLOW mode the screen and D3 should blink for a short time.

If steps 4, 6 and 7 are successful proceed to step 8. If any of these three steps fail, do not proceed to step 8. Instead, re-check your construction for errors.

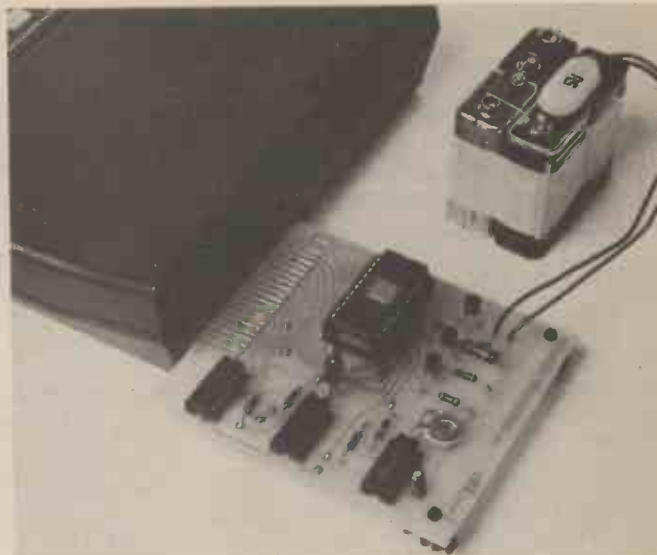
8. Turn off all power.
9. Remove the unit from the ZX81.
10. Refer to Fig. 8. Insert a 2716 EPROM into the 24-pin socket. Take care not to bend the legs of the EPROM (the legs can bend in on themselves as well as splaying out) and be especially careful to put the EPROM in the right way round.
11. With the EPROM in its socket and all power still off, plug the unit back into the ZX81.
12. Fit the battery clip onto the programming power supply. The l.e.d. should not light up.
13. Turn on power to the ZX81 and the l.e.d. should light up.

Fig. 7. Photograph of the keyboard overlay. This is supplied with the software cassette, see *EE Software Service*, page 131.





The keyboard overlay is held secure using double-sided tape at the top corners.



The Eprom Programmer/ROM Card plugged into the ZX81 Expansion bus.

14. Load the software under the filename "LMX".
15. The program is self-running and within 25 seconds you should see the display shown in Fig. 9.

Fix double-sided tape to the back of the keyboard overlay and carefully position the overlay on the ZX81 keyboard. The Eprom Programmer is now ready for use.

LMX EPROM PROGRAMMER EVERYDAY ELECTRONICS (c) 1984



Fig. 9. The screen display obtained at start up. Note the "tinted" cursors.

BURNING

There are 2048 locations in a 2716 EPROM so do not be concerned in the early stages of testing if you use up some of the locations to store short test routines.

After completing step 17 of the TESTING section and with 0000 in the address field of DISPA, press the TEST key. If the EPROM is a new one DISPA should change to 07FF FF. If this is the case, the entire EPROM is empty and any byte can be burnt into any location of the EPROM. No programming errors should occur.

Press the INC key to return DISPA to 0000.

The EPROM is memory mapped to addresses 2000-27FF. If the unit is to be used in its ROM card mode at a later stage, machine code routines will be originated somewhere in this range.

Change the address in DISPA to 2000 by pressing the ADDRESS key and "2" key simultaneously.

The following test routine displays the string "ZX81" on the screen.

With the address 2000 in DISPA, type the first byte 21 into DISPB. Press the BURN key. The screen should blink and the contents part of DISPA should change to 21. This indicates a successful burn.

Address	Machine Code	Label	Assembly Code	Comments
2000	21		ld HL,ZX81	; point to ZX81 string
2001	0B			
2002	20			
2003	06		ld B,4	; four characters to print
2004	04			
2005	7E	loop:	ld A,(HL)	; get character
2006	D7		rst 10H	; display it
2007	23		inc HL	; point to next
2008	10		djnz loop	; loop until complete
2009	FB			
200A	C9		ret	; return to Basic
200B	3F	ZX81:	Defm"Z"	
200C	3D		Defm"X"	
200D	24		Defm"8"	
200E	1D		Defm"1"	

Press the INC key and DISPA should change to 2001 FF. Type the second byte 0B into DISPB and repeat the burn procedure.

Repeat this procedure for all 15 bytes remembering that the address in DISPA has to be manually incremented.

Use the DEC key to decrement the address in DISPA fourteen times, each time checking that the contents part of DISPA is correct.

Return to BASIC by pressing the "BASIC" key and remove the keyboard overlay.

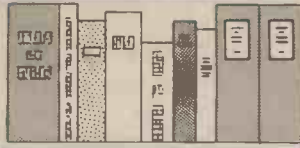
Type RAND USR 8192. The "ZX81" string should be displayed on the screen.

Remove all power from the ZX81 and the programming power supply from the unit.

Turn on power to the ZX81. The unit is now in its ROM card mode.

Type RAND USR 8192 again. The string "ZX81" will again be displayed indicating that the routine is permanent and independent of the state of the power supply. All other routines are burned in, in exactly the same way. □

BOOK REVIEWS



THE COMPUTER USERS' YEAR BOOK 1983

Editor B. Hypher
Price £52.95 Hard back
Size 280 x 203mm. 1,552 pages
Publisher Computing Publications Ltd.
ISBN 0-902-90817-0

In its fifteenth edition, the Computer Users' Year Book is still the computer industry's major reference source. The information contained within is very comprehensive, which no doubt accounts for the 1,552 pages and the price tag of £52.95 + £2.10 p&p.

Salaries of staff involved in the computer industry are listed in over 90 tables along with job title, salary range, size of firm and location. The annual survey included in the book is very impressive and covers over 19,000 data processor staff.

There are some new additions to the contents of the book this year, the first is local area networks. This section deals with new companies and products that are available in the data processing market. The second new section is independent computer maintenance and provides information on 48 suppliers of computer hardware services.

R.A.H.

TEACH YOURSELF ELECTRONICS (New Edition)

Author Professor W. P. Jolly
Price £2.95
Size 200 x 130mm. 208 pages
Publisher Hodder and Stoughton 1983
ISBN 0-340-32976-9

TEACH yourself books are aimed at readers with "a will to understand" and a real interest in their chosen subject. This title aims to introduce the vast subject of electronics simply and clearly, from the basics of electron theory through to the futuristic sounding Quantum and Cryoelectronics.

There are 13 chapters covering the basics, the nature and properties of devices, circuits and systems. The final chapter investigates i.c.s, microprocessor applications, including CAD (Computer Aided Design) and EFT (Electronic Fund Transfer). Fourteen pages contain a useful Glossary of Terms and many circuit symbols.

Although some of the drawings look a little unprofessional they do not distract too much and in general the study sequence is very readable. The careful study of electronic history with the important developments and new applications help to avoid the problem of assuming a level of knowledge in the student. This book aids understanding of a vast and complex subject by gently introducing the reader through an historical approach. Professor Jolly's good efforts provide a realistic training and reference book.

D.J.G.

Books in Brief

Computer Jargon by C. Stockley and L. Watts (Usborne Publishing Ltd.) Limp £1.99. For the first time there is a book which provides an illustrated guide to the bewildering computer language, which is now a part of everyday speech. The computer jargon is easily defined with diagrams to support the text, although the illustrations are rather disappointing.

Information Revolution by L. Myring and I. Graham (Usborne Publishing Ltd.) Hard back £3.95. A comprehensive guide to the effect computers and new technology are having on communications. The book contains 48 pages covering cable and satellite television, databases, teletext and other communication technology. There are a lot of diagrams to support the text but again they are rather poorly done.

Adventure Programs by J. Tyler and L. Howarth (Usborne Publishing Ltd.) Limp £1.99. Adventure programs are the new craze for computer enthusiasts. An adventure game is like a story in which the player is the hero, the difference being, the sequence of events and movements that are controlled by the player. There is an adventure game program contained within the book, called Haunted House and this program will work on any computer which uses Microsoft style BASIC.

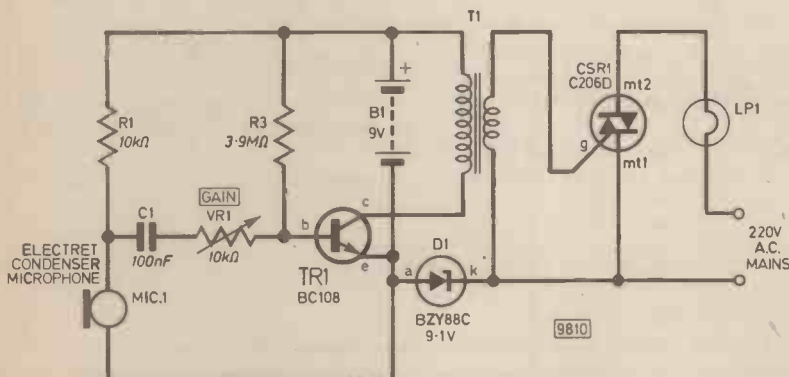
20 Programs for the ZX Spectrum and 16K ZX81 by S. Daly (Bernard Babani). Limp £1.95. Another programming book for the ZX81 and Spectrum user, but with a difference. Unlike most of the books published in this field there are plenty of practical programs contained within the seven chapters. Starting with a basic biorythms program and then progressing to the more sophisticated filing programs.

SIMPLE SOUND OPERATED LIGHT

THIS circuit was designed as a simple circuit that can control a light with speech, music or other noise sources. The triac and light can be changed as desired.

The transistor could be a BC107, BC177, BC108 or a BC109. The power supply section of the circuit is a PP3 9V battery.

Hamid Reza Taizadeh, Tehran, Iran.



PRACTICAL ELECTRONICS

MARCH 1984

FREE: LOGIC DESIGN CARD No. 1

The first of four invaluable logic cards with pin-out data on the backs.

SPECTRUM AUTOSAVE

Simplifies and automates program saving on the Sinclair Spectrum.

Feature

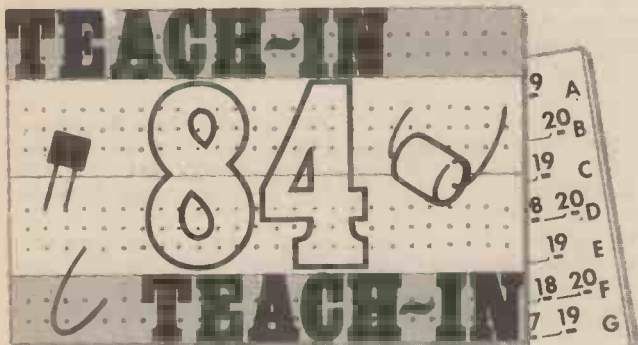
INMOS THE BRITISH CHIP MANUFACTURER

We take an in-depth look.

Regulars

Semiconductor Circuits, Vernon Trent, Spacewatch, Industry Notebook.

ON SALE—3RD FEBRUARY



5

Now that we've built a simple audio voltage amplifier, let's stick with audio circuits for the time being.

NOISE

Last month we turned an amplifier into an oscillator. To do so, we connected the amplifier output back to its input so that signals kept getting amplified again and again. In this way, any input signal, however small, gets repeatedly boosted until it becomes large.

All amplifiers contain built-in "signals". Not man-made ones, but natural ones. Thermal energy (which all matter contains, even when cold) causes random movements of electrons. These show themselves in circuits as random currents and voltages—very small ones.

EXPERIMENT 5.1

SIGNALS AND NOISE

To make random noise audible, build the circuit of Fig. 5.1. You may recognise this (from last time) as a two-stage audio amplifier with direct coupling between stages. But, unlike last month's low-noise circuit, this one is designed to be comparatively noisy. The noise produces a gentle hiss in the earphone.

When we are playing a gramophone or tape deck, or listening to the radio, we don't want to hear any of this noise. This means that the audio signals must be so much stronger than the noise, that when the volume control is set to give the right level of sound the "noise" is inaudible.

The signals we want to hear must be at least 1,000 times greater than the noise, and preferably 10,000 times greater. If the noise voltage at the input of an audio amplifier is one millionth of a volt (one microvolt, $1\mu V$), the audio input signal should be at least one thousandth of a volt (one millivolt, $1mV$: $1mV = 1,000\mu V$).

A TWELVE-PART HOME STUDY COURSE IN THE PRINCIPLES AND PRACTICE OF ELECTRONIC CIRCUITS. ESSENTIALLY PRACTICAL, EACH PART INCLUDES EXPERIMENTS TO DEMONSTRATE AND PROVE THE THEORY.

USE OF A PROPRIETARY BREADBOARD ELIMINATES NEED FOR SOLDERING AND MAKES ASSEMBLY OF CIRCUITS SIMPLE.

THE IDEAL INTRODUCTION TO THE SUBJECT FOR NEWCOMERS. ALSO A USEFUL REFRESHER COURSE FOR OTHERS.

AUDIO AMPLIFIERS

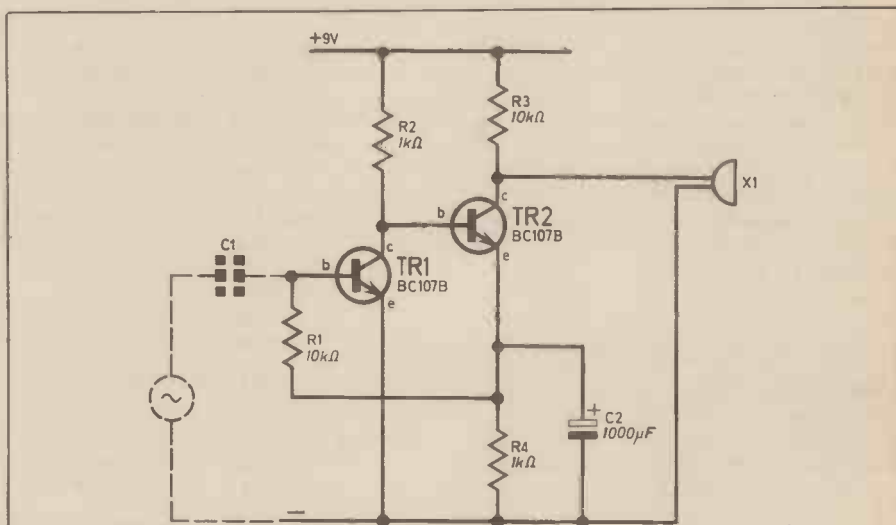


Fig. 5.1. Circuit for noise experiment.

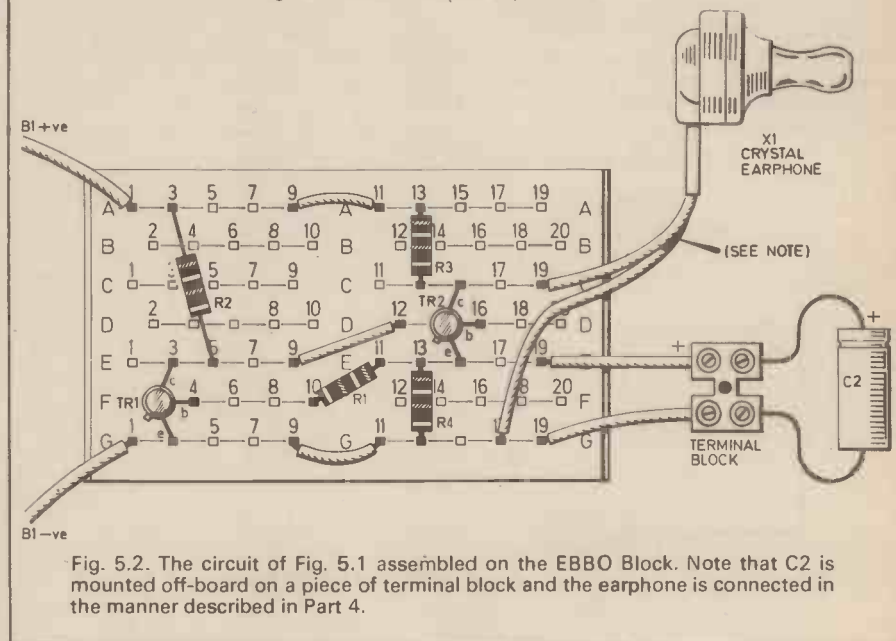


Fig. 5.2. The circuit of Fig. 5.1 assembled on the EBBO Block. Note that C2 is mounted off-board on a piece of terminal block and the earphone is connected in the manner described in Part 4.

This puts a limit on the amount of amplification which can be used. If the loudspeakers in a "hi-fi" need 10V of audio, and the audio input signal is 1mV, the overall "gain" needed is 10,000. It would be quite easy to produce a gain of a million. But quite useless, because a noise input of 1 μ V would now arrive at the loudspeaker as a very audible 1V.

The average pocket AM radio illustrates the point. Being small, it can only contain a small aerial, which can collect only a small signal. The designer attempts to compensate for this by providing a very high gain. But what comes out of the loudspeaker is hiss, except when a station strong enough to suppress the noise is tuned in. (In radio receivers the gain is automatically reduced by strong signals so you don't have to turn down the volume to get rid of the hiss when a strong station is present.)

The lesson is clear: the amount of amplification which can be used is limited by noise. So, although it is easy enough, in principle, to produce enormous amounts of amplification, this is of no practical value, unless the noise can also be reduced.

COMBATING NOISE

Noise reduction may seem impossible in view of the fact that the transistors in the amplifier are themselves a source of noise. But various ways of reducing the effect of transistor noise exist. One which is easy to apply is to restrict the range of frequencies handled by an amplifier. The lowest audible frequency is around 20Hz. The highest depends largely on your age. A child can hear up to about 20kHz, but as you grow older your upper frequency limit falls.

For real hi-fi, then, your audio system should handle every frequency from 20Hz to 20kHz. But it will then accept every noise frequency in the same range.

Noise, being random, exists at all frequencies. If we restrict the frequency range (reduce the bandwidth) noise is reduced. So are signals, but it so happens that in speech and music there is not much energy in the upper part of the 20Hz to 20kHz range, while noise energy

is spread evenly through the upper reaches of the audio band. So, with only a small sacrifice of fidelity, you might remove everything above, say, 10kHz.

HARMONICS

If you are prepared to make a larger sacrifice the bandwidth can be further reduced. The highest note on the piano has a frequency (pitch) of about 3.5kHz. It might seem that 3.5kHz would do as an upper limit for reproducing music. Unfortunately, most musical instruments generate "harmonics". Harmonics are multiples of the actual pitch. If the "3.5kHz" key (top A) on a piano is struck the instrument also emits sound on 7kHz (second harmonic), 10.5kHz (third), 14kHz (fourth) and so on. Harmonics give instruments their individual quality or timbre. The more harmonics you cut out, the less "personality" of instruments remains, even though all the notes are still there.

There's even less scope for trimming the bandwidth at the low end. The bottom note on a piano is 27Hz. You might cut out this *fundamental frequency* and rely on the harmonics (at 54Hz, 81Hz, 108Hz, etc.) to produce the impression of the note.

But, in general, the higher the harmonic the weaker its intensity, so you soon run into problems. Speech is still intelligible if everything below 300Hz is cut out, but if you do this to music it sounds "thin" and unnatural.

FREQUENCY RESPONSE

In audio amplifiers, the limits of the bandwidth handled (also called the frequency response) are usually determined by the capacitances in the circuit. We'll deal first with low frequencies.

In Fig. 5.3a, the circle with the squiggle inside is the symbol for any sort of generator of a.c. The squiggle is one cycle of a *sine wave*. If an instrument were playing a sustained pure note, free of harmonics, a microphone responding to the sound would produce a voltage wave of this shape. It would repeat itself (Fig. 5.3b) for as long as the sound lasted. Softer or louder sounds would change the size ("amplitude") of this signal (as

shown dotted) but the general smooth curving shape would remain.

Suppose the generator in Fig. 5.3a is set to produce a constant voltage, say 1V a.c. Current then flows through C1 and R1, which are in series. They form a sort of voltage divider, but one whose upper resistance has been replaced by C1. With an input (V_{in}) of 1V a.c., what is the output voltage, V_{out} ?

The answer obviously depends on the "resistance" of C1. If this is small, most of the input voltage gets to R1. If large, most is lost in C1. But what is it? Past experience gives a clue.

You know that if C1 is a large capacitance and you apply, not a.c., but a d.c. voltage to the circuit, it takes a long time for C1 to charge up appreciably.

During the first moments of charging, the voltage on C1 is very small, and as the charging current flows round the circuit the voltage set up across R1 is large, almost the full battery voltage. (If you want to check this, use the circuit of Fig. 5.4, which is like last month's Fig. 4.3 but with C and the meter resistance R in reverse order.)

If C became fully charged, current would cease.

In our a.c. circuit, Fig. 5.3a, current flows *into* C1 during the times when the a.c. signal V_{in} happens to be positive and *out* when V_{in} is negative. If we want most of the voltage to appear across R1 we must not allow C1 to become anywhere near fully charged. That is, C1 must be large enough to make the time constant of the circuit so long that in the time available very little voltage builds up in C1.

This voltage, as we saw last time, restricts the flow of current. But to develop plenty of voltage across R1 we want current to flow freely.

Now, C1 charges during each positive part of the voltage wave, or *positive half-cycle*. (During the negative half-cycles, C1 discharges.) For our purposes, the time constant CR or RC must be *long* compared with the duration of a half-cycle. What is this duration? It depends on how rapidly the a.c. voltage is reversing polarity. That is, it depends on the *frequency* of the input signal V_{in} .

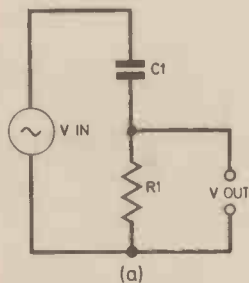
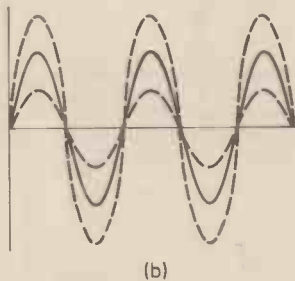


Fig. 5.3 (a). Coupling circuit



(b). Sine waves; three different amplitudes.

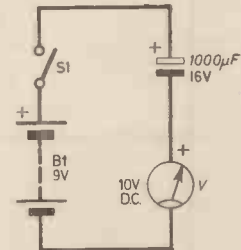


Fig. 5.4. D.C. experiment to illustrate Fig. 5.3(a).

If the signal goes through 1,000 up-down-and-back-again cycles per second it takes 1/1,000th of a second for a complete cycle and half this time for each half-cycle. If the frequency (f) is only 100 cycles per second (100 hertz, 100Hz) these periods are ten times as long.

REACTANCE

You can see from this that as the frequency is reduced, C_1 must be made larger to allow the same amount of current to flow. So the "resistance" of C_1 is not a fixed quantity. At low frequencies it is high. At high frequencies it is low.

This behaviour is so different from that of ordinary resistance (which is the same at all frequencies) that it is given a different name: *reactance*. The reactance of a capacitance falls as the frequency rises. It also falls as the capacitance increases.

CIRCUIT DESIGN

Looking at Fig. 5.3a as a voltage divider, it's clear that to maximise V_{out} the reactance of C_1 must be small compared with the resistance R_1 . Small, that is, at the *lowest* frequency we're interested in. If the effect of C_1 is negligible at the lowest frequency it will be even more negligible at higher frequencies, since the reactance decreases as the frequency increases.

There's a useful "rule of thumb" for selecting a suitable value for C_1 when R_1 is fixed. It involves our old friend the time constant C times R . If the time constant is the same duration as one complete cycle of the signal, the amount of voltage lost in C is for most purposes negligible.

Let's try it. If the lowest frequency of interest is 20Hz, then the period of one whole cycle is 1/20th of a second and CR must be at least as long as that.

Suppose R_1 is 1k Ω . From last month you know that when R is in k Ω , C has to be in millifarads for the answer to be in seconds. If C were 1mF (1,000 μ F), with $R = 1k\Omega$ the time constant would be 1 second. So 1mF would be more than adequate. If you can tolerate a voltage loss of about 30 per cent, you can reduce the capacitance by a factor of 20, to give a time constant of 1/20 second.

The 30 per cent loss occurs when the reactance of C is equal to the resistance of R . Charts for finding reactance exist,

but you can save work by using this month's alignment chart (Fig. 5.5) which shows the CR time constant corresponding to each "30 per cent loss" frequency. This frequency is often called the cut-off frequency or corner frequency, or "3dB down" frequency ("dB" is an abbreviation for "decibels" which are a way of comparing signal strengths).

PRACTICAL CIRCUITS

There is a real-life case which corresponds almost exactly with Fig. 5.3a. This is when the signal-source itself is a capacitance. Crystal pickups, crystal microphones, capacitor microphones and electret microphones are like this. They behave like C_1 and the generator combined.

The maker usually specifies the value of load resistance (R_1) which is needed to get an adequate low-frequency response. In fact, he often specifies the required load *impedance*. Impedance is just a general name for the "resistance" of a circuit to a.c.

In practice, R_1 is often not a real, physical resistance in the form of a resistor, but the input resistance of an amplifier.

Looking at Fig. 5.1, if the input were applied as shown dotted, it looks as if the input resistance must depend mainly on R_1 (10k Ω). But the real input resistance is much less than R_1 . There is a hidden element: the impedance or resistance between base and emitter of TR1. That is, the input impedance of TR1 itself.

In this particular circuit the transistor input impedance is only around 1k Ω . Most of the input signal current flows through this, little through R_1 .

TRANSISTOR INPUT IMPEDANCE

The input impedance of a bipolar (*npn* or *pnp*) transistor is not a fixed quantity. It increases as the collector current is reduced. At audio frequencies, the BC107 will work at very small collector currents, down to about 10 μ A. If the current amplification factor is 100 at this current the input impedance at audio frequencies is around 200k Ω .

A capacitive signal-source which "looks like", say, 100pF requires an enor-

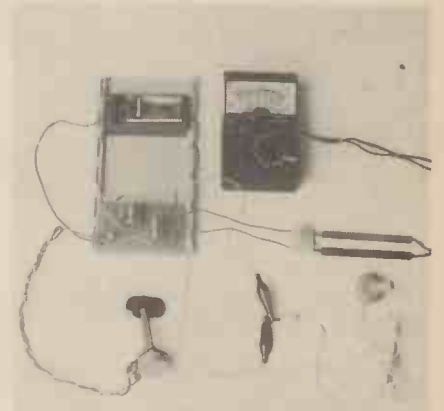
mous load impedance if it is to deliver frequencies down to 20Hz without much loss. Bipolar transistors are not really suitable for use with such signal-sources (which include high-quality capacitor microphones). The alternative is to use a *field-effect transistor* (f.e.t.).

F.e.t.s have an inherently high input impedance because they work without "base current". Low-noise audio f.e.t.s with input impedances of 1,000M Ω enable the required values of around 100M Ω to be obtained easily.

HIGH-FREQUENCY RESPONSE

You can see that in the general case where the capacitance is under the designer's control the low-frequency response can be extended as far down as needed by using large coupling capacitors. What about the high-frequency response?

In theoretical circuits like Fig. 5.3a the h.f. response extends to infinity, since C_1 reactance goes on decreasing as the frequency is raised. In practical amplifiers this doesn't happen because the gain of transistors falls off at really high frequencies. Even so, with modern transistors it is more than adequate for the audio range and unless something is done to restrict it the amplifier will work at frequencies above the limit of human hearing.



The set-up for Experiment 5.2. As only two leads from potentiometer VR1 are used, the lead attached to one of the outer tags should be folded back so that its bared end does not make accidental contact with any other component.

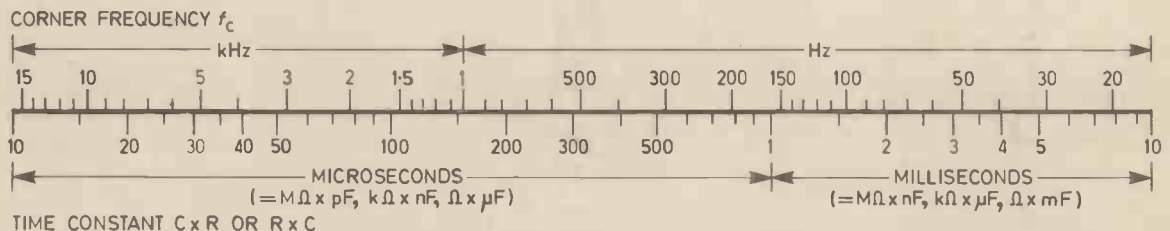


Fig. 5.5. Alignment Chart relating the time constant CR or RC to the corner frequency of a network like Fig. 5.3(a) or Fig. 5.6(b).

CHECK YOUR PROGRESS

Questions on *Teach-In 84 Part 5*
Answers next month

- Q5.1 An amplifier has an input impedance of $10k\Omega$. If it is required to handle frequencies down to 20Hz what is the minimum acceptable size of input-coupling capacitor?
- Q5.2 In Fig. 5a, what d.c. voltage is applied by the circuit to: (a) C1; (b) C2; (c) the earphone?
- Q5.3 If a microphone generates 10mV audio signal, what is the greatest noise voltage which can be tolerated in its associated amplifier, if the

signal-voltage to noise-voltage ratio must be 1,000 minimum?

ANSWERS TO PART 4

- Q4.1 a. 10V
b. 10mA. (There is 10V across RC. The base current can be neglected in comparison with IC.)
c. 0.1mA (100 μ A). $I_B = I_C/hFE$.
- Q4.2 5 seconds (8V is 2/3 of VCC so the time is roughly one "time constant". $C = 0.5mF$ so RC in $k\Omega \times mF$ is $10 \times 0.5 = 5$).

Q4.3 2mA. There is about 0.7V across R4; this gives a little over 2mA for the emitter current. The collector current is slightly less than this.

Q4.4 200. If R3 is $10k\Omega$ the voltage is divided by 200. Note that this figure is for the voltage gain. The current gain might be quite different. Also, it is unlikely that a $10k\Omega$ log pot will have a track resistance of exactly $10k\Omega$. The tolerance of these pots is usually 30 per cent.

EXPERIMENT 5.2

To illustrate this, build the oscillator of Fig. 5.6a.

With $C1 = 1nF$ (1,000pF) the frequency is a high audio frequency when VR1 is at its full $10k\Omega$ and rises as VR1 is reduced, until the sound becomes inaudible (ultrasonic). Connecting a low-voltage a.c. voltmeter (for example, the KEW7S on its 10V a.c. range) to monitor the output shows that the circuit goes on oscillating even when inaudibly high in frequency (C2 is to block d.c. Many cheap meters still register d.c. voltages when turned to their a.c. ranges. More expensive ones incorporate their own internal d.c. blocking capacitor which is switched in circuit when the meter is set to a.c.).

H.F. ROLL-OFF

It is undesirable that an audio amplifier should pass frequencies above the audio range, because these can produce unwanted audible effects. For example, in FM stereo reception a frequency of 38kHz is mixed up with the audio. This can interact with other high frequencies to produce audible whistles.

For this reason, ultrasonic frequencies are attenuated (weakened) by an "h.f. roll-off" circuit, such as Fig. 5.6b. Here the capacitance forms the "output arm" of a voltage divider. Since its reactance falls as the frequency rises, while the impedance of the resistance (R4) is constant, signals at higher frequencies are progressively reduced.

The "corner frequency" for an h.f. roll-off circuit like this is given by the same rule as before, but the frequencies above the corner frequency are now the ones which are attenuated.

Try experimenting with various values for C1 and C3. You'll find that for any value of C1 there is always a value of C3 which just begins to attenuate within the tuning range provided by VR1.

Next month: Operational Amplifiers

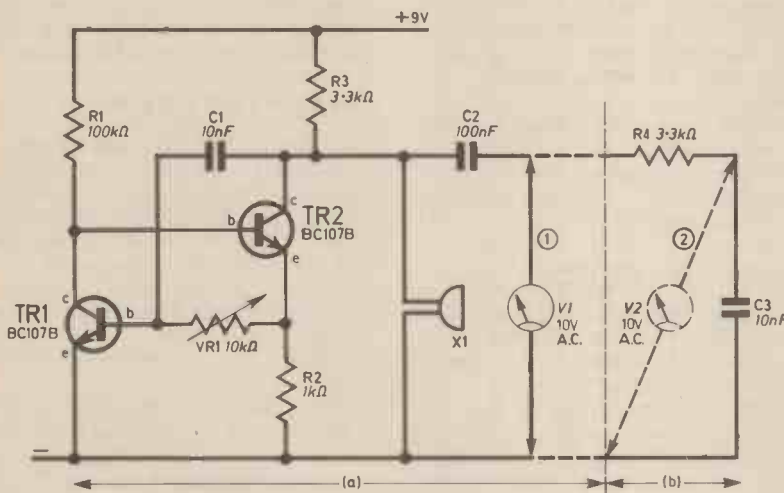
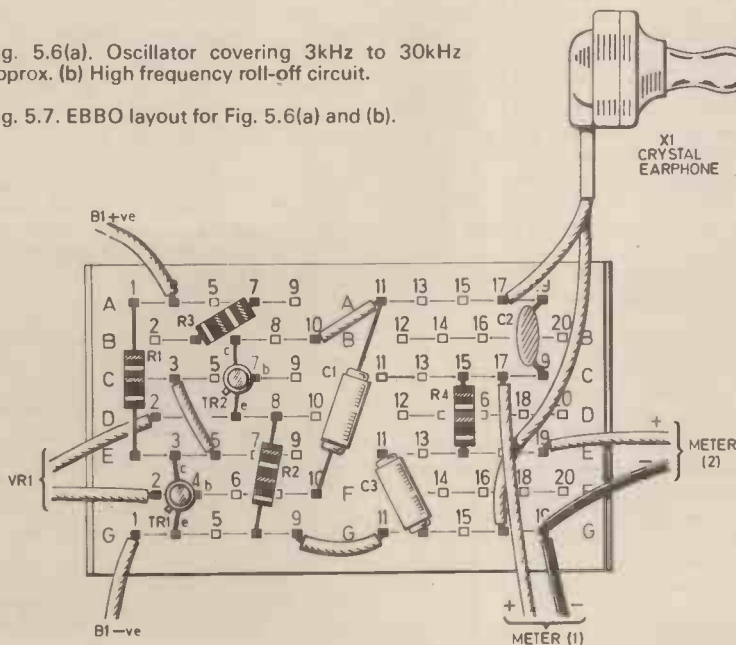


Fig. 5.6(a). Oscillator covering 3kHz to 30kHz approx. (b) High frequency roll-off circuit.

Fig. 5.7. EBBO layout for Fig. 5.6(a) and (b).



ELECTRICAL HAZARDS

HOW TO AVOID DANGER AND HOW TO ADMINISTER TREATMENT FOR SHOCK

AS AN electronic hobbyist, and probably something of a d.i.y. electrician as well, the possibility of suddenly becoming a component yourself (and we are quite good conductors!) is one of the hazards you face.

It is well worth considering the danger before it happens. Of course the trivial little incident is nothing, although even a mild and unexpected shock can give you a fair amount of discomfort. But remember voltages far lower than the mains supply can kill.

PRECAUTIONS

The best approach of course is to avoid it happening, whilst still knowing how to deal with the worst. Unfortunately you are the most likely victim and you can't give yourself first aid!

Apart from the contempt bred of familiarity, haste, carelessness and absentmindedness lead to accidents. It is easy to forget that faults do occur, a chassis, spindle, or even headphones can become live; to forget that capacitors can, and do, store considerable charge.

These things happen even if we don't use matches to plug wires into the mains, or twist old bits and pieces together for the Christmas tree lights.

Many more examples will come to mind, and it's worth taking the obvious precautions. Perhaps, for example, using batteries to replace the mains, arranging a master switch near the door for anyone to use in emergency, and not standing on a wet floor with nails in your boots.

IF IT HAPPENS

Let us assume the worst and consider what to do when you are with someone who is electrocuted. In the unlikely event of very high voltages you must stay well away until you are sure the supply has been switched off and that it won't be restored without warning.

You are more likely, however, to be dealing with domestic power supplies. Even here you must avoid becoming a casualty yourself. The usual advice is to try to quickly break the contact between victim and supply by pushing him away with any insulator such as a stick,

rolled newspaper, or by wearing a pair of rubber gloves. Bear in mind that you must never pull the victim away by his armpits which may be moist and therefore conducting.

Unfortunately most of us don't carry rubber gloves, and rolled newspapers aren't very good for pushing inert bodies with, so when possible, it's probably quicker, easier and safer to pull out the plug or disconnect in some other way.

It is always wise to call the ambulance by a 999 call if the accident seems at all serious.

EFFECTS OF SHOCK

It is usual to say that amperes kill, although this is not strictly true, and isn't very helpful anyway. The effects depend on the current, the duration of the contact, the path it takes, and the state of the victim. Apart from the physical effect of the shock, the victim may also fall and injure himself.

A trivial shock could well precipitate a heart attack in a predisposed person, and there is some evidence that an unexpected shock has more effect than an expected or intentional one.

If the current path is through the head, consciousness may be lost, and the breathing or heart may stop. As the brain controls these functions this isn't really surprising. After all, if you put the mains current through a computer memory it wouldn't do it much good either, would it?

A path through the heart may stop it especially if there has been previous disease.

Burns are likely, and are often much deeper and more severe than at first appears on the surface. They can involve muscle and tendon especially in the hand which is far the most common site of entry. A further hazard here is that the victim may grip the conductor because of local muscle spasm in the hand. So it does not take much imagination to see that permanent disability often results especially in the fingers.

Problems with the heart or breathing may occur later on for which it is wise to seek medical treatment, possibly in a casualty department.

First aid measures depend upon the victim's condition, the priorities being to maintain breathing and the heart beat. Excellent instructions with diagrams are given in most first aid books, especially St. John Ambulance manual on the subjects of artificial respiration and heart compression.

QUALIFIED HELP

If the victim is conscious and breathing it's really a matter of making him comfortable and not meddling. In most parts of the country the wait for a doctor or ambulance will be quite short and unless there's good reason it's far better and kinder not to attempt to splint fractures or dress burns. The ambulance attendants have the proper equipment and are better qualified to do it.

If the victim is unconscious turn him onto his side, the top leg bent at hip and knee to support him, and to help his breathing, tip his head backwards by pulling his chin up. If he stops breathing you will need to use mouth to mouth resuscitation (the "kiss of life"). Commonsense should tell you to remove an unconscious person's dentures or any other obstruction.

If you are sure the heart has stopped he will need heart compression.

If you do these things you may well save a life, so it is worth reading it up, and being aware of the methods and techniques we have discussed.

PERSEVERE

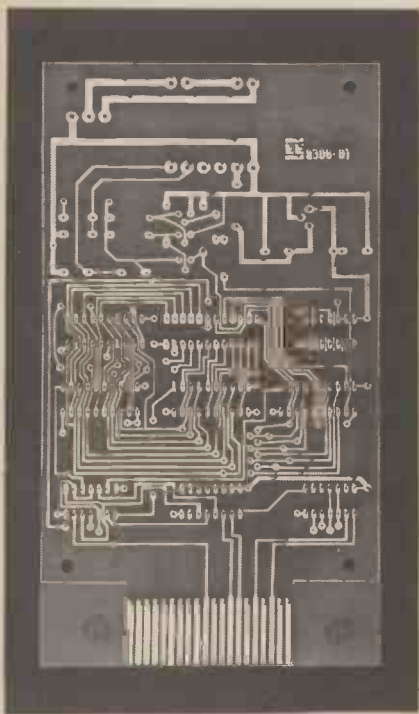
Finally, electrocution is one of the conditions where recovery is possible after apparent death, so that attempts to resuscitate should continue even when they don't seem to be helping.

Bearing in mind the difficulty which eminent doctors sometimes have in deciding whether a patient is dead you should feel encouraged to persevere with your efforts, all is by no means lost.

However, since *you* may be the victim, the best approach is prevention, which brings us back to where we came in.

General Practitioner.

EVERYDAY ELECTRONICS PRINTED CIRCUIT BOARD SERVICE



Printed circuit boards for certain EE constructional projects are now available from the EE PCB Service, see list. These are fabricated in glass-fibre, and are fully drilled and roller tinned. All prices include VAT and postage and packing. Remittances should be sent to: EE PCB Service, Everyday Electronics Editorial Offices, King's Reach Tower, Stamford Street, London SE1 9LS. Cheques should be crossed and made payable to IPC Magazines Ltd.

We regret that the ordering codes for the August projects have been incorrectly quoted in the Sept-Oct issues. Correct codes are given here.

Please note that when ordering it is important to give project title as well as order code.

Readers are advised to check with prices appearing in current issue before ordering.

PROJECT TITLE	Order Code	Cost
Eprom Programmer, TRS-80 (June 83)	8306-01	£9.31
Eprom Programmer, Genie (June 83)	8306-02	£9.31
Eprom Programmer, TRS-80 & Genie (June 83)	8306-03	£1.98
User Port Input/Output <i>M.I.T. Part 1</i> (July 83)	8307-01	£4.82
User Port Control <i>M.I.T. Part 1</i> (July 83)	8307-02	£5.17
Storage Scope Interface, BBC Micro (Aug 83)	8308-01	£3.20
Car Intruder Alarm (Aug 83)	8308-02	£5.15
High Power Interface <i>M.I.T. Part 2</i> (Aug 83)	8308-03	£5.08
Pedestrian Crossing Simulation <i>M.I.T. Part 2</i> (Aug 83)	8308-04	£3.56
Electronic Die (Aug 83)	8308-05	£4.56
High Speed A-to-D Converter <i>M.I.T. Part 3</i> (Sept 83)	8309-01	£4.53
Signal Conditioning Amplifier <i>M.I.T. Part 3</i> (Sept 83)	8309-02	£4.48
Stylus Organ (Sept 83)	8309-03	£6.84
Distress Beacon (Sept 83)	*8309-04	£5.36
Distress Beacon Pocket Version (Sept 83)	8309-05	£3.98
D-to-A Converter <i>M.I.T. Part 4</i> (Oct 83)	8310-01	£5.77
High Power DAC Driver <i>M.I.T. Part 4</i> (Oct 83)	8310-02	£5.13
Electronic Pendulum (Oct 83)	8310-03	£5.43
TTL/Power Interface for Stepper Motor <i>M.I.T. Part 5</i> (Nov 83)	8311-01	£5.46
Stepper Motor Manual Controller <i>M.I.T. Part 5</i> (Nov 83)	8311-02	£5.70
Digital Gauss Meter (Nov 83)	8311-03	£4.45
Speech Synthesiser for BBC Micro (Nov 83)	8311-04	£3.93
Car On/Off Touch Switch (Nov 83)	8311-05	£3.11
4-Channel High Speed ADC (Analogue) <i>M.I.T. Part 6</i> (Dec 83)	8312-01	£5.72
4-Channel High Speed ADC (Digital) <i>M.I.T. Part 6</i> (Dec 83)	8312-02	£5.29
TRS-80 Twin Cassette Interface (Dec 83)	8312-03/09	£7.43
Environmental Data Recorder (Dec 83)	8312-04	£7.24
Touch Operated Die (Dot matrix) (Dec 83)	8312-05/06	£4.34
Touch Operated Die (7-segment) (Dec 83)	8312-05/07	£4.34
Continuity Tester (Dec 83)	8312-08	£3.41
Central Heating Pump Delay (Jan 84)	8401-01	£3.33
Biological Amplifier <i>M.I.T. Part 7</i> (Jan 84)	8401-02	£6.27
Temp. Measurement and Control System for ZX Computers (Jan 84)		
Analogue Thermometer Unit	8401-03	£2.35
Analogue-to-Digital Unit	8401-04	£2.56
Games Scoreboard (Jan 84)	8401-06/07	£9.60
Eprom Programmer/ROM Card for ZX81 (Feb 84)	**8402-01	£7.84
Oric Port Board <i>M.I.T. Part 8</i> (Feb 84)	8402-02	£9.56
Negative Ion Generator (Feb 84)	*8402-03	£8.95
Temp. Measurement and Control System for ZX Computers (Feb 84)		
Relay Driver Unit	8402-04	£3.52

*Set of four boards.

**Calibrated with C1, VR1 and IC4 fitted.

M.I.T.—Microcomputer Interfacing Techniques, 12-Part Series.

TEMPERATURE MEASUREMENT AND CONTROL SYSTEM FOR ZX COMPUTERS

PART 2: RELAY DRIVER UNIT AND SOFTWARE

BY M. PLANT

In Part 1 of this article, the theoretical and constructional details were given for the Analogue Thermometer and ADC Units of this measurement and control system. This second and final part describes the Relay Driver Unit; calibration of the ADC with full interwiring details and software examples for both the ZX81 and the ZX Spectrum.

RELAY DRIVER CIRCUIT

In the circuit shown in Fig. 9, four of the seven Darlington pair drivers

available in IC1 are used to drive four relays, each of which has a 5A switching capacity. The Darlington pairs present a high impedance load to the 5V logic signals from the read port of the PIA, and IC1 thus providing a low-cost and simple buffer for a control interface.

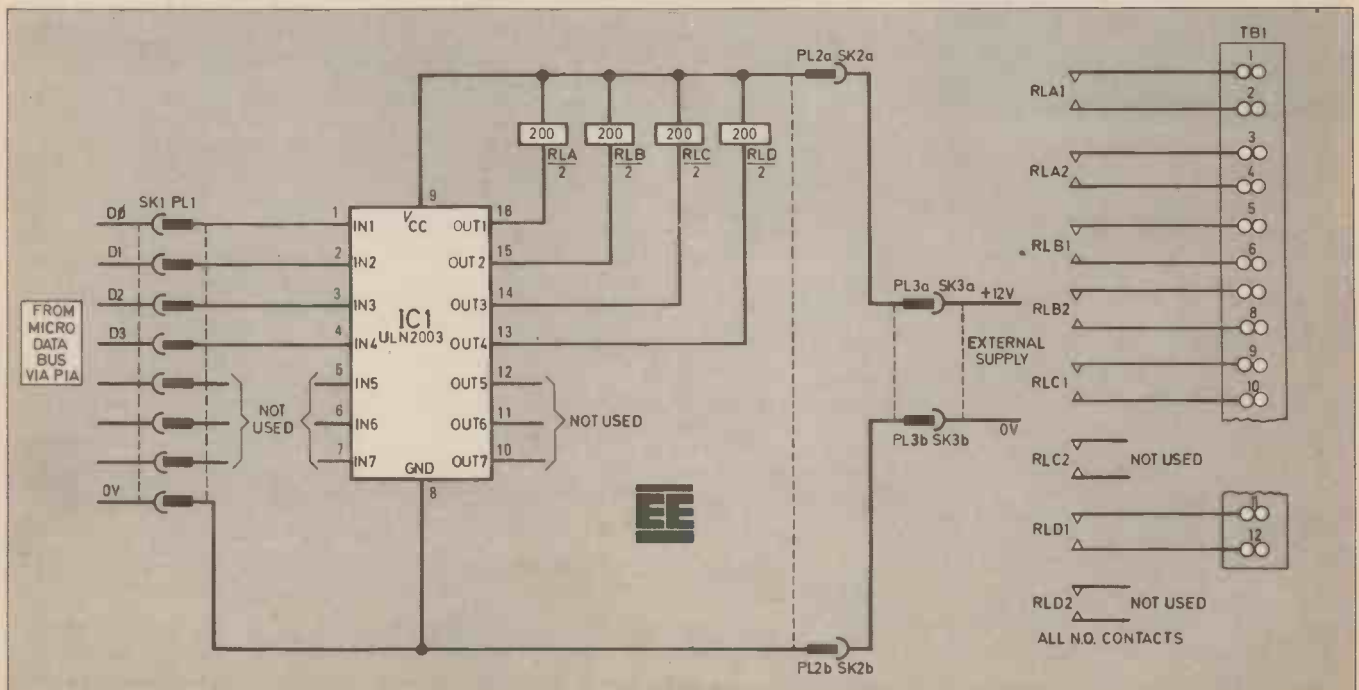
The relays are energised by a POKE command to the PIA. The unit can be used for general control applications or in association with the Thermometer and ADC Units for thermostat applications as indicated by the sample programs.

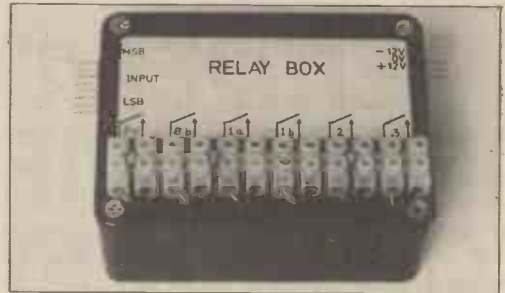
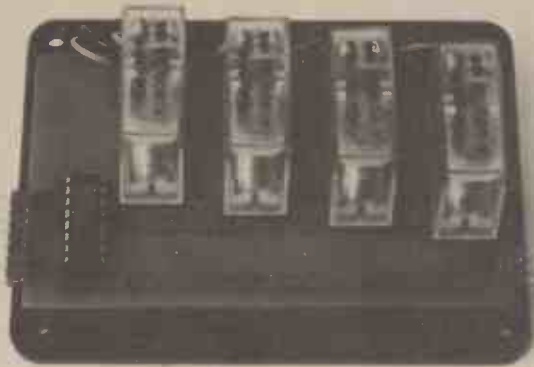
ASSEMBLY

Figs. 10 and 11 show the p.c.b. pattern and component layout for the driver unit, respectively. Four ways of an 8-way inter-p.c.b. plug are used for bringing the four least (or four most) significant bits from the PIA, each bit controlling its own relay. Note that the unit operates direct from a +12V d.c. supply. The PIA 0V line is connected to the driver 0V at SK1h/PL1h. The printed circuit board is available from the *EE PCB Service*, Order code 8402-04.

Note that each relay in the unit is a double-pole single-throw type. Wires are brought out from both pairs of contacts on two relays (RLA and RLB) and from only a single pair of contacts on the remaining two relays. This selection makes use of all twelve connectors on a 12-way terminal block (TB1) which is bolted to the boxed Relay Driver Unit as shown in the photographs.

Fig. 9. Circuit diagram for the Relay Driver Unit.





The completed prototype Relay Driver Unit showing labelling of screw terminal block, input and supply to plugs.

Left shows the assembled Relay Driver Unit removed from its case.

COMPONENTS

IC1	ULN2003 7-stage Darlington driver
RLA	miniature relay type
RLB	Feme MHP A200 45 05
RLC	Coil resistance 200 ohms
RLD	d.p.s.t. 5A contacts (4 off)
SK1	8-way inter-p.c.b. socket
SK2,3	2-way inter-p.c.b. socket (2 off)
PL1	8-way inter-p.c.b. straight plug
PL2,3	2-way inter-p.c.b. straight plug (2 off)
TB1	12-way screw 2A terminal block

Printed circuit board: single-sided, size 94 x 53mm, *EE PCB Service*, Order code 8402-04; 16-pin d.i.l. socket; plastics case, size 95 x 71 x 35mm, type MB2; 8-way ribbon cable; pvc-covered interconnecting cable; 6BA fixings (2 sets).

Approx. cost
Guidance only

£15

See SHOPTALK page 87

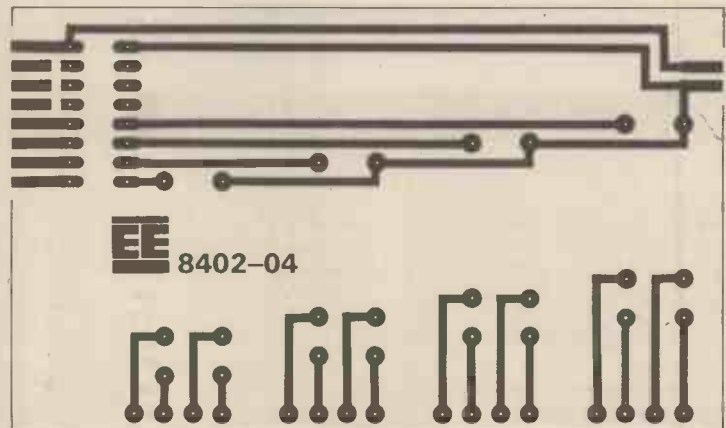


Fig. 10. The master p.c.b. pattern (actual size) for the Relay Driver Unit. This board is available from the *EE PCB Service*, Order code 8402-04.

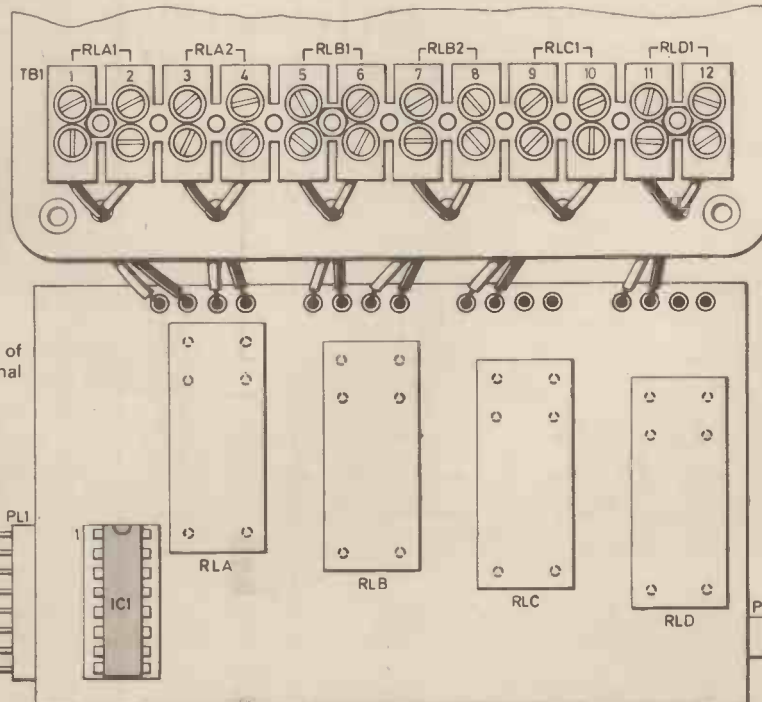


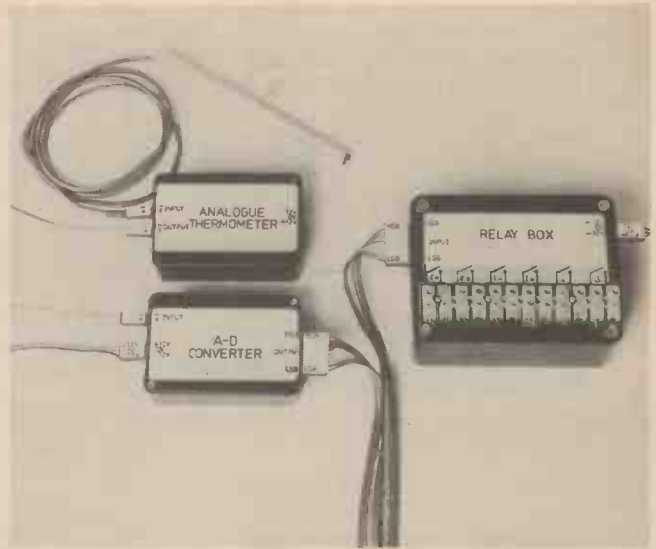
Fig. 11. Layout of the components on the topside of the p.c.b. and wiring details to the screw terminal block mounted on the case lid.

INTERWIRING

The complete interwiring of the three units described, to the ZX81 and ZX Spectrum Input/Output Port boards from Redditch Electronics is shown in Fig. 12.

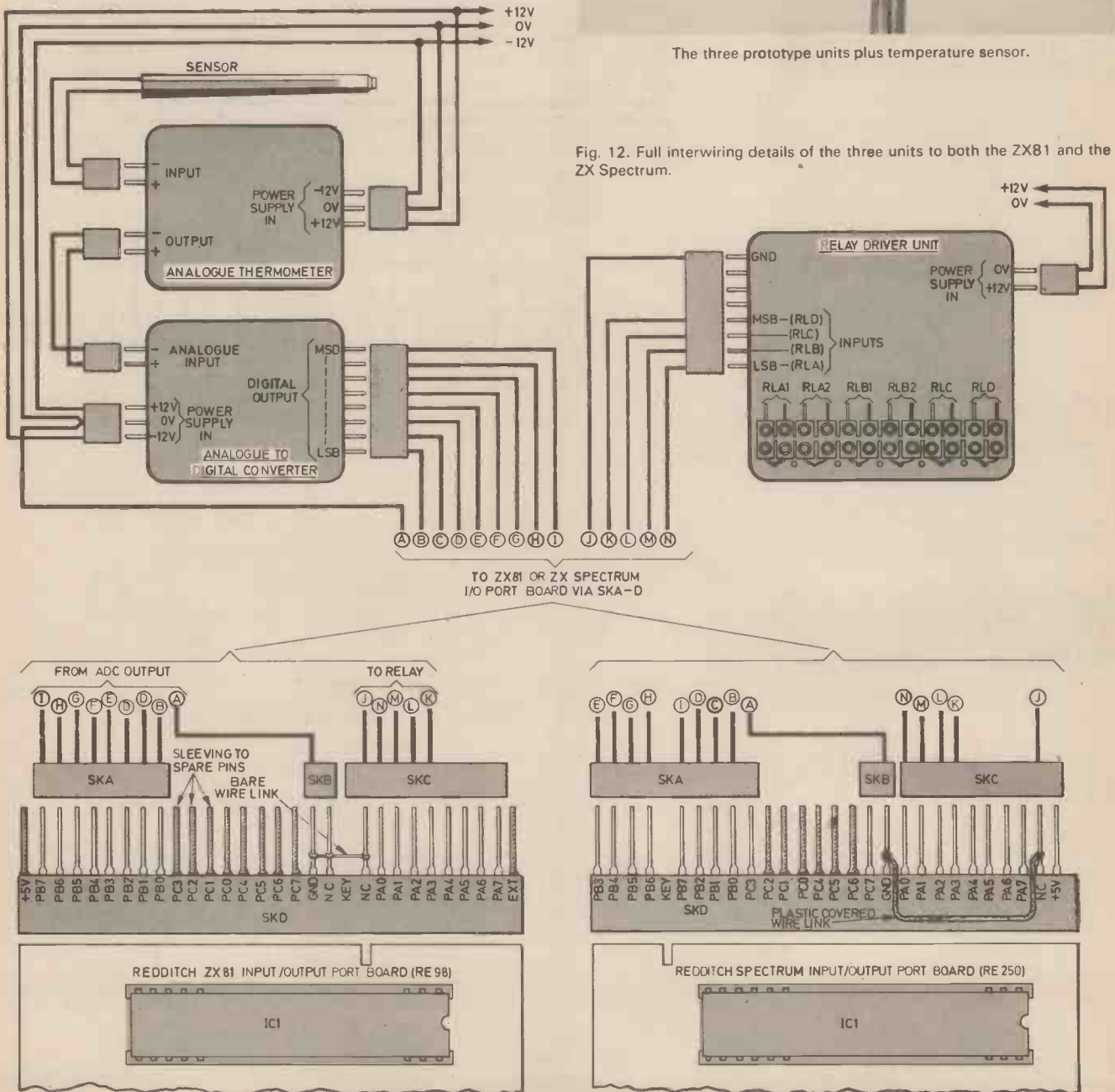
Each of the Port boards has a single-sided fingerset. Rather than solder directly to these contacts, it is recommended that a wire-wrap single-sided card edge connector be used. These are also supplied by Redditch. This type of connector lead allows the inter-p.c.b. sockets used in the other interconnections in the system to be used to connect to the I/O board.

The inter-p.c.b. sockets come in two parts: a cable shell and terminals. It is intended with these connectors that the terminals be crimped onto the wire before pushing it into the shell, but if you do not



The three prototype units plus temperature sensor.

Fig. 12. Full interwiring details of the three units to both the ZX81 and the ZX Spectrum.



have the special crimping tool, soldering of the wire to the terminal has been found to be a satisfactory inexpensive alternative. Stranded lightweight wiring is preferred.

ADC CALIBRATION

Connect the ADC Unit to the appropriate I/O Port board and its power supplies. Turn on the ZX81 or Spectrum followed by the $\pm 12V$ supplies. Enter the appropriate test routine, Program A, and RUN the program. A constant number should be seen scrolling on the screen.

Connect a shorting link across the analogue inputs to the ADC Unit (the analogue input is then 0V) and adjust VR1 so that the display on the screen reads 0.

Now connect the analogue output from the calibrated Thermometer Unit to the ADC, making sure that the leads make the correct polarity connections. Immerse the sensor in water at 100 degrees C. Wait a few moments for the sensor to reach this temperature and adjust VR2 so that 100 is displayed on the screen. Check that the display still reads zero when the sensor is immersed in melting ice and adjust VR1 if necessary.

Thus calibrated, the screen directly displays the temperature of the sensor in degrees Centigrade. Theoretically a maximum temperature of 255 degrees C could be displayed, although the sensor should not be used above 150 degrees C.

PROGRAM A

Test Routine: ADC

Line No.	ZX81	ZX Spectrum
10	POKE 40963,130	OUT 2271,130
20	LET X=PEEK 40960	LET X=PEEK 2143
30	PRINT X	PRINT X
40	GOTO 20	GOTO 20

RELAY DRIVER TEST

Turn off all power to the computer and units. Connect the Relay Driver Unit to the I/O Port board. Turn on power to the computer followed by the power supplies to the unit. Enter the Test Routine given in Program B.

Run the program and in response to the input prompt enter a number between 0 and 15. Check with an ohmmeter or some other means, the state of the six relay sets of relay contacts. They should be according to Table 3.

PROGRAM B

Test Routine: Relay Driver Unit

Line No.	ZX81	ZX Spectrum
10	POKE 40963,130	OUT 2271,130
20	POKE 40961,0	OUT 2079,0
30	INPUT X	INPUT X
40	POKE 40961,X	POKE 2079,X
50	GOTO 20	GOTO 20

Table 1. Relay Truth Table

X	RLA1 RLA2	RLB1 RLB2	RLC	RLD
0	0	0	0	0
1	1	0	0	0
2	0	1	0	0
3	1	1	0	0
4	0	0	1	0
5	1	0	1	0
6	0	1	1	0
7	1	1	1	0
8	0	0	0	1
9	1	0	0	1
10	0	1	0	1
11	1	1	0	1
12	0	0	1	1
13	1	0	1	1
14	0	1	1	1
15	1	1	1	1

0 = open 1 = closed

SOFTWARE

Constructors will undoubtedly have their own ideas for using the units described in this article and will write their own software to suit. Three software examples are listed below for each of the two computers, the ZX81 and ZX Spectrum, to illustrate a few applications of the system with printouts of the display where appropriate.

ZX81

Program 1: THERMOMETER

Reads the input port and displays the temperature of the sensor.

```

1 REM THERMOMETER
5 POKE 40963,130
10 LET C=PEEK 40961
20 PRINT AT 10,12;C;TAB 14;"C"
30 PAUSE 50
35 IF C<10 THEN PRINT AT 10,13," "

```

```

40 IF C=PEEK 40961 THEN GOTO 40
50 GOTO 10

```

Typical display: 13 C

Program 2: THERMOSTAT

Reads the input port and displays the temperature of the sensor. The relays are activated at a preset temperature.

```

1 REM THERMOSTAT
10 POKE 40963,130
20 PRINT AT 0,0;"INPUT SET
TEMPERATURE AND PRESS
NEWLINE
30 INPUT H
35 CLS
40 POKE 40960,0
50 LET C=PEEK 40961
60 IF C<H THEN POKE 40960,1
65 IF C<H THEN POKE 40960,0
70 PRINT AT 10,12;"SET TEMP=";
TAB 25;"C"
80 PRINT AT 10,22;H
90 PRINT AT 12,12;"TEMP
NOW=";TAB 25;"C"
100 PRINT AT 12,22;C
110 PAUSE 20
130 GOTO 50

```

Typical display:

```

SET TEMP = 23 C
TEMP NOW 19 C

```

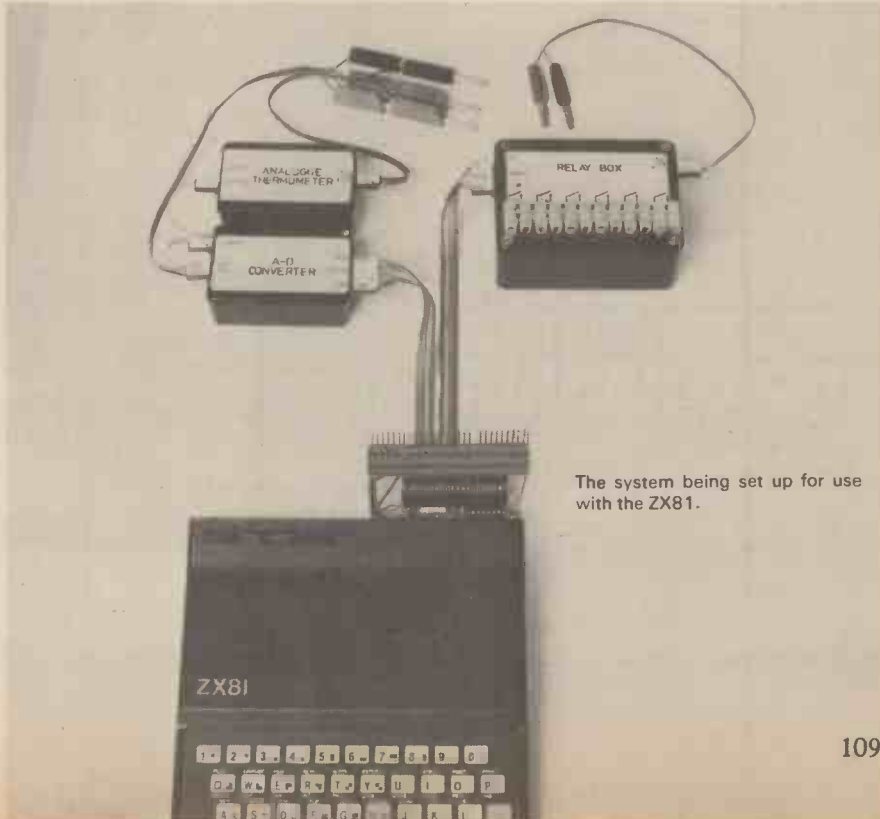
Program 3: THERMOMETER

Reads the input port and displays the temperature of the sensor in large characters.

```

1 REM "LARGE TEMPERATURE
DISPLAY"
2 POKE 40963,130
3 POKE 16507,PEEK 40961
4 FAST
5 PRINT AT 1,11;
"TEMPERATURE"

```

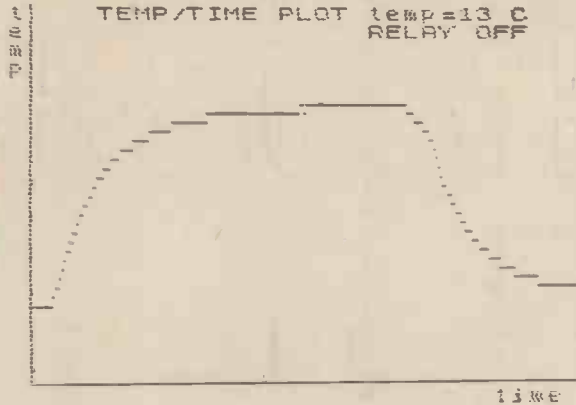


The system being set up for use with the ZX81.

TEMPERATURE

15

CELSIUS

The
Temperature
is

23

Celsius

```

6 PRINT AT 2/00,13;"CELSIUS"
10 DIM A$(1,2)
20 FOR I = 1 TO 2
25 FOR K = 1 TO 2
30 LET B$ = STR$ PEEK 40961
35 IF I = 2 THEN GOTO 300
40 LET A$(I) = BS
85 LET M = 14
90 LET C = CODE A$(I,K)
100 IF C<128 THEN GOTO 130
130 FOR L = 0 TO 7
140 LET P = PEEK (7680 + C*8 + L)
150 LET V = 128
160 FOR J = 0 TO 7
170 IF P<V THEN GOTO 198
180 PRINT AT 21 - (M - L), 8 + 8*
(K-1) + J
190 LET P = P-V
195 GOTO 200
198 PRINT AT 21 - (M - L), 8 + 8*
(K-1) + J
200 LET V = V/2
210 NEXT J
220 NEXT L
230 NEXT K
240 NEXT I
300 SLOW
310 POKE 16436,200
320 POKE 16437,255
330 IF PEEK 16437 = 255 THEN
GOTO 330
335 IF PEEK 16507 = PEEK 40961
THEN GOTO 31/00
340 CLS
350 GOTO 3

```

ZX SPECTRUM

Program 1: THERMOMETER

Reads the input port and displays the temperature of the sensor. Updated at 0.6 second intervals.

```

1 REM Temperature
5 OUT 2271,130
10 LET P = IN 2143; PRINT AT
12,15; P; AT 12,17;"C";
PAUSE 30: GOTO 10

```

Typical display: 15 C

Program 2: TEMP/TIME PLOT

Plots a graph of the sensor temperature over a time period and activates a relay at a preset temperature.

```

1 REM Temp/Time Plot
5 OUT 2271,130
10 PRINT AT 0,0;"t"; AT 1,0;"e"; AT
2,0;"m"; AT 3,0;"p"
15 PRINT AT 21,27;"t"; AT 21,28;
"i"; AT 21,29;"m"; AT 21,30;"e"
20 PRINT AT 0,5;"TEMP/TIME
PLOT"
30 PLOT 10,10: DRAW 245,0: PLOT
10,10: DRAW 0,165
40 FOR X = 10 TO 255
50 LET p = IN 2143: PLOT x,4*p
55 PAPER 7: FLASH 1: INK 0: PRINT
AT 0,20;"temp = C": PRINT AT
0,25; p: FLASH 0
60 IF IN 2143<25 THEN OUT
2078,1: PRINT AT 1,20;"RELAY
ON"
64 IF IN 2143<25 THEN OUT
2078,0: PRINT AT 1,20;"RELAY
OFF"
70 PAUSE 10: FLASH 0
80 NEXT x

```

Program Notes

Line 5 sets the PIA Port B to input, and Port A to output.

Lines 10 to 30 draws and labels axes of graph.

Line 50 recovers temperature from input port and plots graph. Scaling of plot can be done here.

Line 55 prints value of temperature.

Lines 60 and 64 operate relay at selected temperature.

Line 70 sets delay between points plotted before next value.

Program 3: THERMOMETER

Reads the input port and displays the temperature of the sensor in large characters.

```

1 REM Large Temp Display
5 OUT 2271,130
10 BORDER 1: PAPER 7: INK 1

```

```

20 LET yy = 5: LET ys = 2: LET xs =
2: LET p$ = "The": GOSUB 100:
LET yy = 20: LET ys = 2: LET xs =
2: LET p$ = "Temperature":
GOSUB 100: LET yy = 35: LET ys
= 2: LET xs = 2: LET p$ = "is":
GOSUB 100
30 LET b$ = STR$ IN 2143: INK 2:
LET yy = 60: LET ys = 12: LET xs
= 12: LET p$ = b$: GOSUB 100
40 LET yy = 155: LET xs = 2: LET ys
= 2: LET p$ = "Celsius": GOSUB
100
50 LET p = IN 2143: IF p$ = b$
THEN GOTO 50
60 GOTO 30
100 LET xx = (256 - 8* xs* LEN p$)/2
110 LET i = 23306: POKE i,xx: POKE
i + 1,yy: POKE i + 2,xs: POKE i +
3,ys: POKE i + 4,8: LET i = i + 4:
LET m = LEN p$: FOR n = 1 TO
m: POKE i + n, CODE p$(n):
NEXT n: POKE i + m + 1,255:
LET m = USR 32256: RETURN

```

Program Notes

This program uses the machine code routine for printing large-scale characters on the screen held on the Spectrum "Horizons" introductory tape. To use this routine, load "Wall", press "New" and "Enter" and the machine code routine is not destroyed. Type in and run the Basic program shown above.

Line 5 sets the Redditch PIA Port B to input and Port A to output.

Line 20 prints "The Temperature is" in large letters the size of which are determined by the values of yy (position of letters down screen from the top), ys (the vertical size of the letters), xs the horizontal size of the letters).

Lines 100 and 110 use the machine code routine for printing on the screen.

Line 30 recovers the temperature at the input port of the PIA and prints it in extra large letters on the screen.

Line 50 changes the temperature displayed only when it changes at the input port. □

MARCH FEATURES

BLACK BOX PROJECTS

DIN LEAD TESTER

The first in an occasional series of short projects, all utilising the same size black plastic case and piece of stripboard. The DIN Lead Tester checks the wiring of audio leads. Catering for 5-pin DIN, 2.5mm, 3.5mm and 0.25in jack plugs and phono leads, this unit will detect open circuits, shorted pins or normal working—displaying the results on a row of l.e.d.s.

MULTIMETER ADD-ON FOR BBC MICRO

THIS UNIT CONNECTS TO THE USER AND ANALOGUE PORTS, TO PRODUCE AN ACCURATE DIGITAL MULTIMETER WITH SCREEN READOUT. FOR VOLTAGE, RESISTANCE AND CAPACITANCE MEASUREMENTS, IN RANGES UP TO 100V, 10M Ω AND 10 μ F, RESPECTIVELY. MAY BE USED WITH OTHER COMPUTERS EQUIPPED WITH I/O AND ANALOGUE PORTS.

REVERSING BLEEPER

Loud bleeping sound warns pedestrians when driver moves gear lever into "reverse". Bleeper is automatically rendered inoperative when side lights are on—the reversing lights giving adequate warning to passers-by at night time.

NI-CAD BATTERY CHARGER

For use with a car battery charger. This unit enables ni-cad cells to be recharged from a standard 12V car battery charger. Caters for PP3, HD7, HP11 and HP2 in banks of up to 12 cells (of the same type). Charge current shown on panel meter.

LOW POWER STEREO AMPLIFIER

A modest budget project, ideal for the beginner. 2.5 watts per channel. Used with efficient loudspeaker units will provide adequate output for a small room. Three inputs: for ceramic cartridge pick-up, tape recorder and auxiliary. Bass and treble tone controls.

EVERYDAY
ELECTRONICS
and computer PROJECTS

MARCH 1984 ISSUE ON SALE FRIDAY, FEBRUARY 17

Projected TV Developments

A MULTIFUNCTIONAL digital television, and the world's first 6.5in screen portable rear-projection colour sets announced by Matsushita would seem to point the way that future advances in television design may take.

The plans are to market the multifunctional digital TV in Japan, under the Panasonic brand in the early part of 1984. The 6.5in portable projection colour set is expected to be available within the year. At present, there are no plans to introduce either set into the UK.

It is claimed that the digital TV set marks a new generation that will serve as the focal point for the home information centre of the future. It can easily incorporate a viewdata and teletext adaptor and can be linked up directly with home computers, hi fi systems, VCRs and other ancillary equipment.

Viewers can watch more than one video source at the same time by a digitally processed 6in colour picture which can be inserted in the 20in main picture.

Digital TV

An infra-red remote control unit controls operations of both

the TV and many other pieces of equipment which can be linked up to it. Because the remote control

signal is generated by an 11-bit digital signal system, it is theoretically capable of controlling up to 2048 functions.

The remote control unit controls 61 functions, including colour saturation and brightness of the TV as well as various functions of a VTR, video disc player, personal computer or video camera hooked up to the TV.

The digital TV uses two i.c.s and four l.s.i.s (Large Scale Integration), including a newly developed microcomputer CPU (Central Processing Unit). It has 30 per cent less components than conventional analogue sets which reduces cost and increases reliability.

The incorporation of digital circuitry is claimed to give far crisper, cleaner images due to the reduction of spots, screen flickering and colour saturation which exists in analogue sets.

Projection Portable TV

The portable 6.5in colour TV is collapsible and folds down into an attaché case of 25 x 8.5 x 31cm and weighs only 3kg. By comparison, conventional TV sets which have a 7in screen, weigh almost twice as much as the new portable display system and are nearly twice as big.

Based upon the technology in their large-screen projection TV

system, the new portable projection TV contains three 5cm projection tubes for red, green and blue, which replaces the bulky cathode ray tubes (CRT) found in conventional TVs.

The new portable has reduced power consumption quite considerably—on a conventional 7in colour TV the power consumption is 36W on a.c. and 27W on d.c. while Matsushita's portable set uses only 12W. In addition to receiving regular broadcast programmes, it can be used as a portable display terminal for teletext and viewdata, and other video information services.



BBC CONTRACT

Setting their sights on the lucrative BBC Micro contract are several UK home computer companies. At the moment this franchise is held by Acorn but the contract is due for renewal in August, and UK manufacturers are already lining-up their armies for the expected battle.

Sinclair, Dragon Data, Oric and Computers are preparing presentations to the BBC

with either new machines or modified existing, "tried and tested" models. All the companies are reputed to have new computers due out early this year.

Sinclair Research has launched six new spelling and punctuation programs developed by Blackboard Software to entertain children and at the same time teach basic writing skills.

RADIO TELESWITCHING

The Electricity Supply industry in close collaboration with the British Broadcasting Corporation has developed a Radio Teleswitching system that offers economies in the use of electricity, especially for space heating and water heating. There are energy saving advantages for homes, offices and factories with this system, which uses the BBC Radio 4 (UK) low frequency (200Hz) transmitters to send coded signals to a small receiver fitted beside the electricity meter.

The radio signals activate switches and these, in turn, control the tariff metering of the electricity supply. The method designed by the BBC's Engineering Department adds information to radio broadcasts in a similar way that teletext is added to television.

The radio teleswitching receiver would take the place of the time clock used to control a two-rate meter.



Sales Counter

Ambit International have opened another sales counter for electronics, computing products and components, at Park Lane, Broxbourne, Hertfordshire.

Manager of the new sales facility is David Scott, who will be constantly available to offer advice to customers.

Exhibitionist

The 1984 "Scottish Computer Show" is to be staged in Glasgow, Holiday Inn & Albany Hotels, from 13 to 15 March 1984.

A major conference, alongside the exhibition, will provide the Scottish business community with information, expert advice and an opportunity for discussion across a wide spectrum of computer-related topics.

Four weeks after the announcement of the first Acorn Education Exhibition, the organisers, Computer Marketplace (Exhibitions) Ltd. have announced that the show is a complete sell out with a reserve list of 10 would-be exhibitors.

The exhibition is to be held at the Central Hall, Westminster, London, SW1, from 25-27 January 1984, and is specifically aimed at people directly involved with Acorn computers in education.

More than 1,200 companies will be represented at ELEC-TREX '84, the 22nd International Electrotechnical Exhibition, being held in the National Exhibition Centre, Birmingham, from 27 February to 2 March.

Devon County Council have placed an order with Plessey Radar for a Watchman surveillance radar system for Exeter Airport.

Digital Labels

Looking ahead to the increasing use of digital audio recording, the BBC, in close co-operation with Willi Studer A.G., has proposed a format for the inclusion of digital "labels" in such recordings.

The labels could carry a wealth of operational information such as: programme duration, serial number, time and date of origin and editing cues; together with technical information such as: audio word length, mono/stereo, signal compression characteristics and level and balance settings.

Also possible would be commercial data such as copyright details and perhaps keys for protection against unauthorised copying.

Does the general public have sufficient scientific and technological knowledge for the continued well-being of the UK? If not, how can people's understanding of science be increased?

These questions are being considered by an ad hoc group set up by the Council of the Royal Society, the leading scientific learned society in the UK.

Ladies' Day

The Japanese audio/television and domestic appliance giant Hitachi, has just announced that it is to sponsor the "1984 Ladies' British Open Golf Championship" at Woburn Golf and Country Club, Woburn Abbey, Beds.

The 72-hole event will commence on 3 October to 6 October, and will carry a prize fund of \$200,000, with the winner receiving \$30,000. It is hoped that all the top American tour women will be competing.

Announcing the sponsorship deal, Mr. K. Sugiyama, managing director Hitachi Sales (UK) said:

"Ladies' Golf represents an ideal opportunity for us at Hitachi to reach an increasingly important sector of our market—the woman. Women play a vital role in the purchase decision of many of our company's leading products, particularly televisions, portable audio products and obviously microwave ovens."

The Hitachi Ladies' British Open will be covered by BBC television.

AWARDS

Two engineers, Roy Harris and John Martin, who master-minded for British Telecom the early stages of the design and development of System X have been awarded the coveted Martlesham Medal.

The Martlesham Medal gives recognition to members of British Telecom, past or present, who have made an outstanding personal contribution to science and

technology with a particular relevance to telecommunications.

An engineering paper "C-MAC —A high quality television service for DBS"—by IBA engineer, W. G. Stallard, has been selected for the "First Place Best Paper Award" of the 1983 International Conference on Consumer Electronics held in Chicago last June.

AUDIO VISUAL MARRIAGE



DESCRIBED as a "dramatic marriage between audio and video," Akai have introduced a new multifunction amplifier.

Known as the AV-U8, this compact slimline amplifier will fit into practically any normal stereo system rack. From there it will not only act as a conventional 22 + 22W stereo amplifier but will also bring the benefits of stereo sound to two video recorders, a video disc player and TV receiver or monitor.

While Akai video recorders use the popular VHS system, the dual-purpose amplifier will work equally well with Betamax or V2000, or any combination of units. A home computer can also be linked to the system provided it has a video output.

In announcing the new development, Andrew Low of Akai (UK) said:

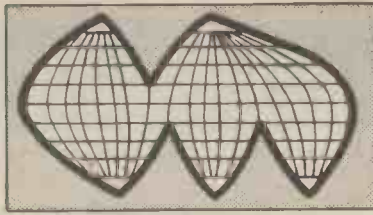
"Tapes for VHS, Betamax or V2000 systems are not compatible and the AV-U8's ability to switch from one system to another will benefit many families who, separated by distance, are increasingly using video tapes to exchange greetings.

"It does not matter if a complete mixture of manufacturers' products are used. An Akai cassette deck, someone else's speakers, a different tuner or turntable, video recorder or compact disc—they are all the same to AV-U8."

In addition to controlling both audio and video systems, the new unit also incorporates its own 4in TV monitor. This enables the operator who may be watching another channel, or listening to stereo, to check that the programme being recorded is the one selected.

The AV-U8 audio/video amplifier is expected to retail at between £240 and £250, including VAT.

RADIO WORLD



BY PAT HAWKER G3VA

Radio Limitations

The objective of radio broadcasting is a simple one: to reproduce from the loudspeaker the sounds reaching the microphone(s) with as little change as possible. In practice, of course, the sounds emerging from the loudspeaker differ in many ways from those in the studio.

The very large number of amplifiers; the links between studio and transmitter; the transmitter itself; the radio path, and above all the typical radio receiver, reduce the signal-to-noise ratio, limit the dynamic range, restrict the audio-frequency and introduce many forms of non-linear distortion. The acoustics of the rooms in which we listen also introduce coloration, and then finally the listeners themselves differ greatly in their hearing.

Practical radio engineering often involves introducing changes in the audio signal both to limit interference between adjacent channel transmissions and to make the restrictions imposed by the system less noticeable. The dynamic range of most radio broadcasts is deliberately compressed, even on v.h.f./f.m., and processed in a variety of ways to increase the average modulation.

In Europe on medium- and long-waves all audio frequencies above about 5000Hz are filtered out. When this is done it is also desirable to reduce the very low bass frequencies.

This may seem severe but it should be remembered that for very many years the vast majority of medium-wave radio receivers have had an i.f. bandwidth that is about 6dB down at 5kHz or 6kHz, and a slope of about 5dB/kHz. With a normal double sideband a.m. signal this means that audio frequencies above about 3000Hz are increasingly attenuated, to a degree where even speech may sound muffled.

Tricks Of The Trade

One method of providing higher audio frequencies is deliberately to distort or "process" the broadcast audio signal so that the higher frequencies are emphasised. This is to counter the subsequent attenuation in the receiver. A number of clever ways of doing this have been developed such as "Optimod" and "Vocal Stresser" and such systems are now used in the UK on some BBC and ILR m.f. transmitters.

But audio processing can be carried too far. Some American broadcasters use systems that make their transmissions sound rather like the old-fashioned juke boxes. Lots of top and lots of bass but far from pleasing to the more critical listeners!

Even in the UK, the BBC keeps audio processing and compression on Radio 3 to a minimum. You can usually detect this by noting that the volume control often needs turning up a bit when you tune in.

Compatible Transmission

Another way in which the effect of the narrow i.f. response of receivers could be countered would be to use "compatible single sideband" (c.s.s.b.). That is to say, an s.s.b. transmission with almost full carrier and capable of being demodulated on a conventional envelope detector.

With such a transmission, by tuning to the side of carrier, virtually the full audio up to 5kHz can be received on a set having an i.f. bandwidth of only about 5kHz. Also, of course, since one sideband is largely suppressed, the mutual adjacent-channel interference between stations could be reduced.

In the early 1960s the American Leonard Kahn and also a Dutch Philips engineer, van Kessel, developed practical systems of c.s.s.b. In fact one of the American-owned transmitters in Germany, broadcasting to East Europe, used the Kahn system for some years.

However, as so often happens with new ideas, various committees considered c.s.s.b. for many months, finally suggesting that the small degree of quadrature distortion, that arises from not using synchronous detection to demodulate a single-sideband signal, made the system unacceptable for general use. Kahn now uses some of his c.s.s.b. techniques as the basis of his system of a.m.-stereo used by some American stations.

The idea of using c.s.s.b. on medium- and long-waves seems to have disappeared—more is the pity! Although s.s.b. with a slightly reduced carrier is still being considered for h.f. broadcasting, as a preliminary step towards pilot-carrier s.s.b. with a 12dB reduction of the carrier.

Both Kahn and van Kessel claimed that linear, non-linear and intermodulation distortion with c.s.s.b. need not differ significantly from what is currently experienced by most listeners to double-sideband a.m. broadcasts.

In-Flight Calls

A number of countries are now actively working toward cellular systems that put a telephone into a car with the vehicle connected to the public switched telephone network via short-distance 900MHz radio links under computer control. Multicom Airborne Telephone Service Inc of New York want to go one better and use cellular-radio technology to put telephones into aircraft flying over the United States for use by passengers.

They believe this could be done with 4MHz of radio spectrum and 30 ground stations. They have applied to FCC for an experimental service on the busy New York to Chicago route using two ground stations about 340 miles apart. Calls would be automatically handed on from one ground station to the next, with signals much less

subject to multipath problems than for land-based mobile cellular systems.

The old problem of intelligibility of aeronautical radio became apparent once again in the tragic loss of Korean Airways flight 007. A transcript issued shortly after the plane had been shot down was later drastically amended.

People concerned with aeronautical radio admit that many of the messages are understood largely because they are in standard form and that problems can arise when non-routine or emergency messages are transmitted by or to traffic controllers who may not speak English very clearly. They also point out that the "live" communications are of better quality than might appear from the very slow-speed tape recordings made in the aircraft or on the ground.

Viva Valves!

The other day the technology correspondent of one of our national newspapers expressed great surprise when I told him that most listeners and viewers still receive their programmes courtesy of the thermionic devices in the output stages of high-power transmitters.

Like many others, he had assumed that we had long entered the era of all-solid-state and consigned thermionic valves to museums. In practice, the multicavity klystron, the travelling-wave-tube and even high-power tetrodes and triodes still play a vital role in space communications, broadcasting, radar and the like, although solid-state transmitters are now available for use up to v.h.f. at ratings up to about 10kW.

Well over 90 per cent of UK TV viewers depend on klystrons which, when all is said and done, are just another form of the traditional thermionic valve. Initially developed in the 1930s by the Varian brothers as a low-power microwave oscillator, this device was given a new lease of life with the coming of multivacuity klystron amplifiers for radar in the 1960s.

Platforms in Space

To most of us the large *Intelsat* satellites that can carry 12,000 simultaneous telephone conversations across the oceans seem the last word in space technology. But not to Dr. Delbert Smith, an American lawyer and space communications expert.

In a London lecture to the Royal Television Society he forecast the early coming of enormous multi-purpose space platforms the size of two football pitches. These will, he believes, be built in low-space orbit using materials and equipment brought up in the cargo bays of reusable manned launchers developed from the Space Shuttle.

When built, they would be shot into the geo-stationary orbit 22,300 miles above the equator as large unmanned telecommunication, television and radio complexes. Equipment would be repaired by sending up from space laboratories unmanned repair vehicles, utilising systems based on the developing robotics technology.

He believes that by AD2001 just six multi-purpose platforms could handle all continental and intercontinental telephone and data traffic and each beam down some 40 channels of television. But, as a lawyer, he forecast that many legal problems will arise. Many of the current regulations aimed at regulating TV across frontiers will, in his opinion, totally fail.

COMPUTER PROJECTS

PUBLISHED IN PREVIOUS ISSUES

APRIL 1982

2K RAM PACK FOR SINCLAIR ZX81

Also: Capacitance/Frequency Meter; Magnetic Lock; V.C.O. Sound Effects Unit; In-Car P.S.U.; Light Activated Switch.

JUNE 1982

KEYBOARD SOUNDER FOR SINCLAIR ZX81

Also: C.B. Power Supply; Nightlight; Seat Belt Reminder; Public Address System (pt 2); Egg Timer.

AUG/SEPT 1982

TEMPERATURE INTERFACE FOR TANDY TRS-80

Also: (Aug) C.B. Roger Bleeper; Two-Tone Doorbell; Quiz Master; Instrument Pre-Amp; Public Address System (pt 4). (Sept) Sound Splitter; C.B. Battery Charger; Screen Washer Delay; Monthly Planner; Continuity Tester.

OCTOBER 1982

EXPANSION SYSTEM FOR SINCLAIR ZX81

Also: Sine Wave Generator; General Purpose Pre-Amp; Optical Tachometer; Lights On Alert; Simple S.W. Radio.

NOVEMBER 1982

TAPE CONTROLLER FOR SINCLAIR ZX81 AND SPECTRUM

Also: Combination Lock; Digital Metronome; Oscilloscope Companion; Photo Finish; Beat The Relay.

DECEMBER 1982

EXTRA RAM FOR SINCLAIR ZX81

Also: Security Vari-Light; Car Indicator Alarm; Velocity Measurer; Electric V/I Meter; 5V Regulated Supply.

JANUARY 1983

A TO D CONVERTER FOR PET

Also: Personal LS Amplifier; Coulomb Meter; Opto Repeater; Double Dice.

FEBRUARY 1983

SPEED COMPUTING SYSTEM FOR SINCLAIR ZX81

Also: Pushbike/Motorbike Alarm; Beehive Temperature Meter; Short Interval Timer; Speech Processor.

FEB/MARCH 1983

EPROM PROGRAMMER FOR ACORN ATOM

Also: (March) Multi-Station Intercom; Car Thermometer; Buzz Off!; Dual Power Supply.

MARCH/APRIL 1983

EXPANDED ADD-ON KEYBOARD FOR SINCLAIR ZX81

APRIL 1983

AMPLIFIER FOR SINCLAIR SPECTRUM

Also: (April) Function Generator; Novelty Egg Timer; Flanger Sound Effect; Neon Nightlight; Car Radio Booster.

MAY 1983

REAL-TIME CLOCK FOR APPLE II and BBC MICRO TEMPERATURE SENSOR FOR PET and VIC 20

Also: Guitar Headphone Amplifier; MW Personal Radio; Laboratory Amplifier; Model Train Controller; Moisture Detector.

JUNE 1983

EPROM PROGRAMMER FOR TRS-80 and GENIE

Also: Push Button Combination Lock; Caravan Power Supply; Caravan Fridge Alarm; Transistor Tester; Envelope Shaper for Bass Guitar.

JULY 1983

USER PORT INPUT/OUTPUT BOARD USER PORT CONTROL BOARD

Also: Automatic Greenhouse Watering System; Digi Alarm Wristwatch Amplifier; Tri Boost Guitar Tone Controller; Binary Bandit Game; Pulse Generator.

AUGUST 1983

STORAGE 'SCOPE INTERFACE FOR BBC MICRO—HIGH POWER INTERFACE BOARD—PEDESTRIAN CROSSING SIMULATION BOARD

Also: Electronic Die; Home Systems Monitor; Car Intruder Alarm; 1kW Mains Power Controller.

SEPTEMBER 1983

A-TO-D CONVERTER FOR RM380Z COMPUTER— COMPUTER AIDED EXPERIMENTS—HIGH SPEED ANALOGUE-TO-DIGITAL CONVERTER—SIGNAL CONDITIONING AMPLIFIER

Also: Stylus Organ; Distress Beacon; Traffic Light Simulator; Voltage Dualiser.

OCTOBER 1983

DIGITAL-TO-ANALOGUE BOARD—HIGH POWER DAC DRIVER BOARD—COMPUTER AIDED EXPERIMENTS— TEMPERATURE TRANSDUCER AMPLIFIER— ELECTRONIC PENDULUM

Also: Home Intercom; Immersion Heater Tell-Tale; Model Car "Petrol Tank"; Short Wave Radio.

NOVEMBER 1983

SPEECH SYNTHESISER FOR THE BBC MICRO— TTL/POWER INTERFACE FOR STEPPER MOTOR— STEPPER MOTOR MANUAL CONTROLLER—COMPUTER AIDED EXPERIMENTS

Also: Multimod; Long Range Camera/Flash Gun Trigger; Digital Gauss Meter; Car On/Off Touch Switch.

DECEMBER 1983

TRS-80 TWIN CASSETTE INTERFACE— ENVIRONMENTAL DATA RECORDER—4 CHANNEL HIGH SPEED ADC

Also: Children's Disco Lights; Magic Candle; Novel Egg-Timer; Continuity Tester; Touch Operated Die.

JANUARY 1984

BIOLOGICAL AMPLIFIER—TEMPERATURE MEASUREMENT AND CONTROL SYSTEM FOR ZX COMPUTERS—COMPUTER AIDED EXPERIMENTS

Also: 4-Channel Gas and Smoke Sentinel; Games Scoreboard; Central Heating Pump Delay; Guitar Tuner.

All the above are fully illustrated, detailed constructional articles. Back numbers £1.00 (inclusive of p&p) per copy currently available from: Post Sales, IPC Magazines Ltd., Lavington House, 25 Lavington Street, London SE1 0PF.

Stocks of back issues are limited. In the event of non-availability a photocopy of the relevant article will be supplied. Please enclose appropriate remittance and specify month of issue and title of article required.

**EVERYDAY
ELECTRONICS
and computer PROJECTS**

MICROCOMPUTER INTERFACING TECHNIQUES

INCLUDING MANY USEFUL CONSTRUCTIONAL PROJECTS

PART EIGHT: DIRECT BUS INTERFACING

BY J. ADAMS B.Sc., M.Sc. & G.M. FEATHER B.Sc.

THE User Port, derived from an internal VIA, has been used exclusively throughout this series as a means of communicating with the outside world.

In this article the expansion port, provided on various microcomputers, will be explored as another method of external communication. The next part of this series will include detailed descriptions of how the expansion port provided on the VIC-20, Commodore 64, PET and BBC machines may be used to control and read data from external devices. The constructional project this month however, is designed specifically to provide an external VIA to another 6502 based microcomputer—the Oric 1—which does not already possess one.

Readers will be aware that the techniques discussed can also provide such a facility for those machines already in possession of a VIA: this allows the addition of extra bi-directional ports to their microcomputer system.

The function of a microprocessor is to receive data from an input device, process this data and output new data to an output device. This is achieved by communication with other components in the microcomputer system using a network of communication paths called buses.

THE DATA BUS

The eight parallel electrical conductors, or lines, which together constitute

the bi-directional data bus (D7-D0), allow an 8-bit binary number to be sent to, or retrieved from, a specified location.

THE ADDRESS BUS

The sixteen parallel lines of the address bus (A15-A0) carry an output binary pattern, or address, which is unique insofar as it allows the selection of a single device which, in most cases, is a specific memory location corresponding to that device. The address can specify the source or destination of the data on the data bus.

THE CONTROL BUS

It is essential that the microprocessor should be able to control the direction of data transfer on the bi-directional data bus. This is achieved by using an output line on the control bus called the R/W (READ/WRITE) line. All data transfers will be into the microprocessor (READ) when this line is high, whereas data transfer from the microprocessor (WRITE) occurs when this line is low.

Other control lines on the control bus include clock signals and interrupt lines.

These buses and their links with the microprocessor and other devices, which constitute the address space of the microcomputer system, are illustrated diagrammatically in Fig. 8.1.

DEVICE SELECTION

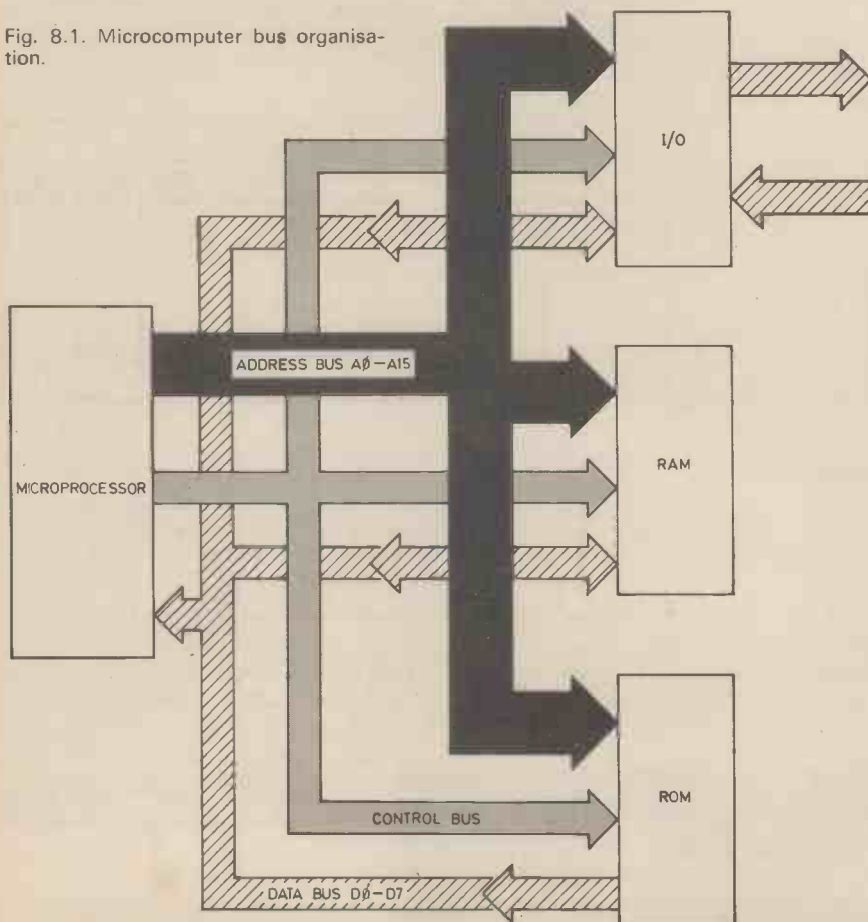
As each of the sixteen lines on the address bus is limited to one of two levels (logic high or logic low) it is possible to access any one, up to a total of 2^{16} (65536) separate devices.

It is, of course, essential that a device occupying a location in the address space of the microprocessor should be able to recognise the fact that it has been addressed. This is achieved by enabling the device when the microprocessor places the appropriate address on the bus.

ADDRESS DECODING

The process of activating a particular device when its address appears on the bus is called decoding. This process is in many ways analogous to making a telephone call to a particular subscriber.

Fig. 8.1. Microcomputer bus organisation.



The dialled number will activate one and only one telephone receiver. In the same way a particular address placed on the address bus by the microprocessor will activate one and only one device connected to the bus.

A decoding circuit is simply a set of simple logic gates added to the bus capable of recognising a unique code when it appears and producing a corresponding output signal.

A simple 2-line decoder can be made using a 2-input AND gate (for example, a 7408). The truth table, Fig. 8.2, illustrates how the output signal becomes logic high only when each input line is logic high.

In practice, decoding circuits produce an output signal which is deemed "active low". This means that the device becomes activated by a logic low if the correct code appears at the inputs of the decoder.

A simple 2-line decoder which accomplishes this can be made using a 2-input NAND gate (for example, a 7400) as shown in Fig. 8.3. Note how the output signal now becomes logic low only when the input line is logic high.

THE 3-TO-8 DECODER

Fig. 8.4 illustrates how a single integrated circuit may be used to select 2³ separate devices by connecting the three address lines A2 to A0 to a 74S138 decoder. It should be noted that the transient nature of the signals placed by the microprocessor on the address bus and appearing at the inputs of the decoder will result in a short duration negative-going device select pulse as shown.

LATCHING

If data is to be outputted to an external port to control external devices, then some arrangement must be made for

INPUTS		OUTPUT
A0	A1	DS
0	0	0
0	1	0
1	0	0
1	1	1

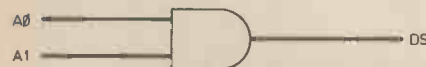


Fig. 8.2. 2-input NAND gate symbol and truth table. Device select high when 2-bit address 11 appears.

INPUTS		OUTPUT
A0	A1	DS
0	0	1
0	1	1
1	0	1
1	1	0



Fig. 8.3. 2-input NAND gate symbol and truth table. Device select low when 2-bit address 11 appears.

holding the information presented briefly on the data bus. Such a technique is called latching and various integrated circuits can provide this facility.

Most are derivatives of the standard S-R (set/reset) flip-flop. On receipt of new data from the data bus, the outputs of the flip-flops are reset and then set to the new values representing the data.

Useful devices include the 74LS100 octal bistable latch and the 74LS273 octal D-type flip-flop.

DATA BUS INPUTS

If the microcomputer is to be used to read digital data via its expansion port, then the device supplying the data must be effectively disconnected from the data bus at all times other than those at which a read operation is in process.

Input buffers use tri-state technology to achieve this. A typical device is the 74LS244, which is shown in Fig. 8.5.

Eight non-inverting buffers are included, the tri-state action being controlled by gate pins 1 and 19. When these

latter pins are at logic 0, the buffer outputs (which would be connected to the data bus) assume the same logic levels as their inputs, thus the data is transferred to the data bus. When the gate pins assume a logic 1 level, the buffer outputs assume a high impedance state and are thus effectively disconnected from the bus.

The tri-state gating signal can be derived from the address decoding circuitry.

A USER PORT FOR THE ORIC-1 MICROCOMPUTER

The 16K and 48K Oric-1 machines are deservedly quite popular. However, although the Oric 1 does possess an internal VIA it is tied up with keyboard and printer port operations and hence cannot be used for the interfacing experiments and projects described in this series. In order to allow the provision of a user port it is necessary to add an external VIA to the machine.

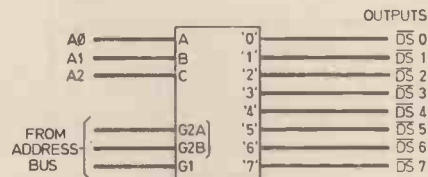
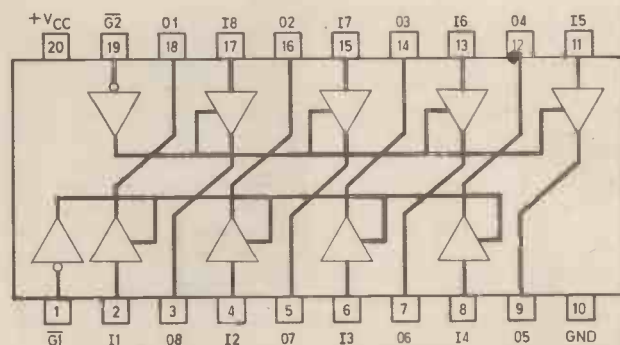


Fig. 8.4. Low device select (DS) line controlled by A0, A1, A2 address. Device select signals G1 and G2 are also derived from address bus.

INPUTS					OUTPUTS							
G1	G2	A	B	C	DS0	DS1	DS2	DS3	DS4	DS5	DS6	DS7
1	0	0	0	0	0	1	1	1	1	1	1	1
1	0	0	0	1	1	0	1	1	1	1	1	1
1	0	0	1	0	1	1	0	1	1	1	1	1
1	0	0	1	1	1	1	1	0	1	1	1	1
1	0	1	0	0	1	1	1	1	0	1	1	1
1	0	1	0	1	1	1	1	1	1	0	1	1
1	0	1	1	0	1	1	1	1	1	1	0	1
1	0	1	1	1	1	1	1	1	1	1	1	0

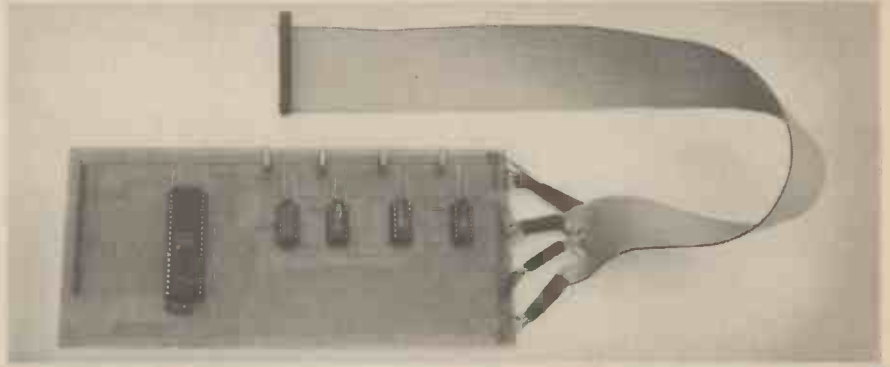
NB: G2 = G2A + G2B



I = INPUT
O = OUTPUT
G1 } TRISTATE CONTROL
G2 }

Fig. 8.5. The 74LS244 tri-state octal buffer.

ORIC PORT BOARD



CIRCUIT DESCRIPTION

Fig. 8.6 shows the circuit diagram of an arrangement in which a 6522 VIA is interfaced to the Oric by the expansion bus.

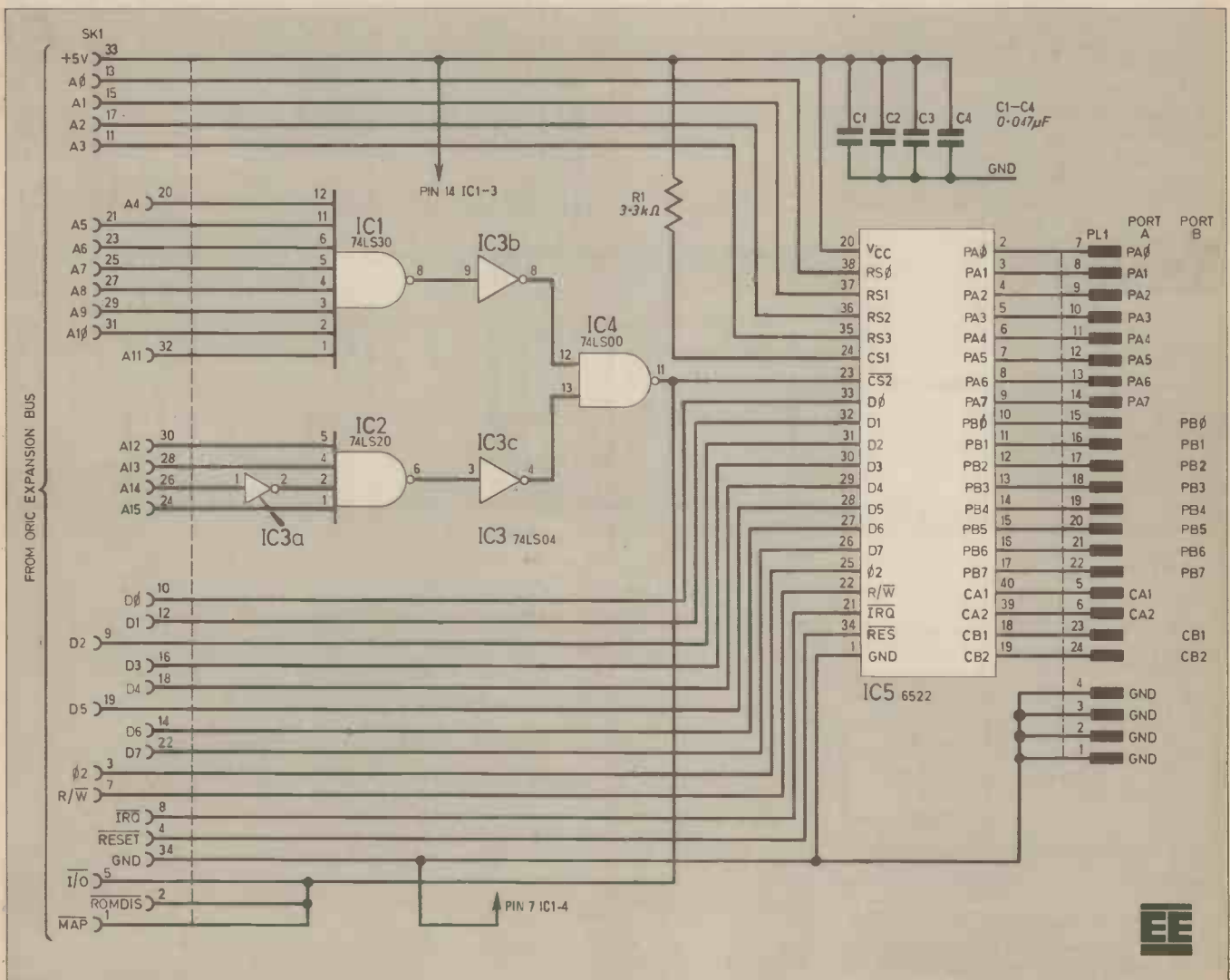
The owner manual indicates that there are unused memory locations provided

for I/O from 49120 to 49151, inclusive. It is thus possible to locate the VIA somewhere in this available address space. The decoding circuit utilises the techniques so far discussed and places the VIA in the contiguous memory locations 49136 to 49151.

A device enable pulse is generated by the decoding circuitry, IC1, IC2 and one of the inverters of IC3, when the binary pattern 1011 1111 1111 appears on the address bus lines A15 to A4, inclusive.

IC1, a 74LS30 8-input NAND gate, gives an active low output when address

Fig. 8.6. Circuit diagram for the Oric Expansion Port Interface.



lines A11 to A4 are high. Lines A15 to A12 are applied to the inputs of IC2, a 74LS20 NAND gate, line A14 being routed via an inverter to give a logic 1 input to the NAND gate when the line is, in fact, low.

The active low outputs of the two gates are inverted and applied to the inputs of the NAND gate, IC4 (which is one quarter 74LS00 quad NAND). This NANDs the two active high signals present at its inputs when the address is "true" and provides the active low chip enable pulse for the 6522.

The 6522 has, in fact, two device select pins CS1 and CS2, at pins 24 and 23, respectively. CS2 accepts the enable pulse from the decoding circuitry whilst, in this application, CS1 is tied to logic 1 by R1.

Lines A3 to A0 are decoded internally by the 6522 to select one of the appropriate internal registers of the VIA.

CONTROL BUS SIGNALS

The necessary control bus signals R/W, Reset (which is used to initiate the microprocessor on power up), and IRQ (the interrupt request line) are taken directly to the appropriate pins on the 6522. Data is clocked into and out of the VIA by another control signal, the phase 2 clock (θ2), from the 6502.

The eight data bus lines, D7 to D0, are routed directly from the 6522 to the appropriate data bus pins on the expansion bus socket.

A slight difficulty arises when the microprocessor is reading data from the 6522 if RAM happens to be present at

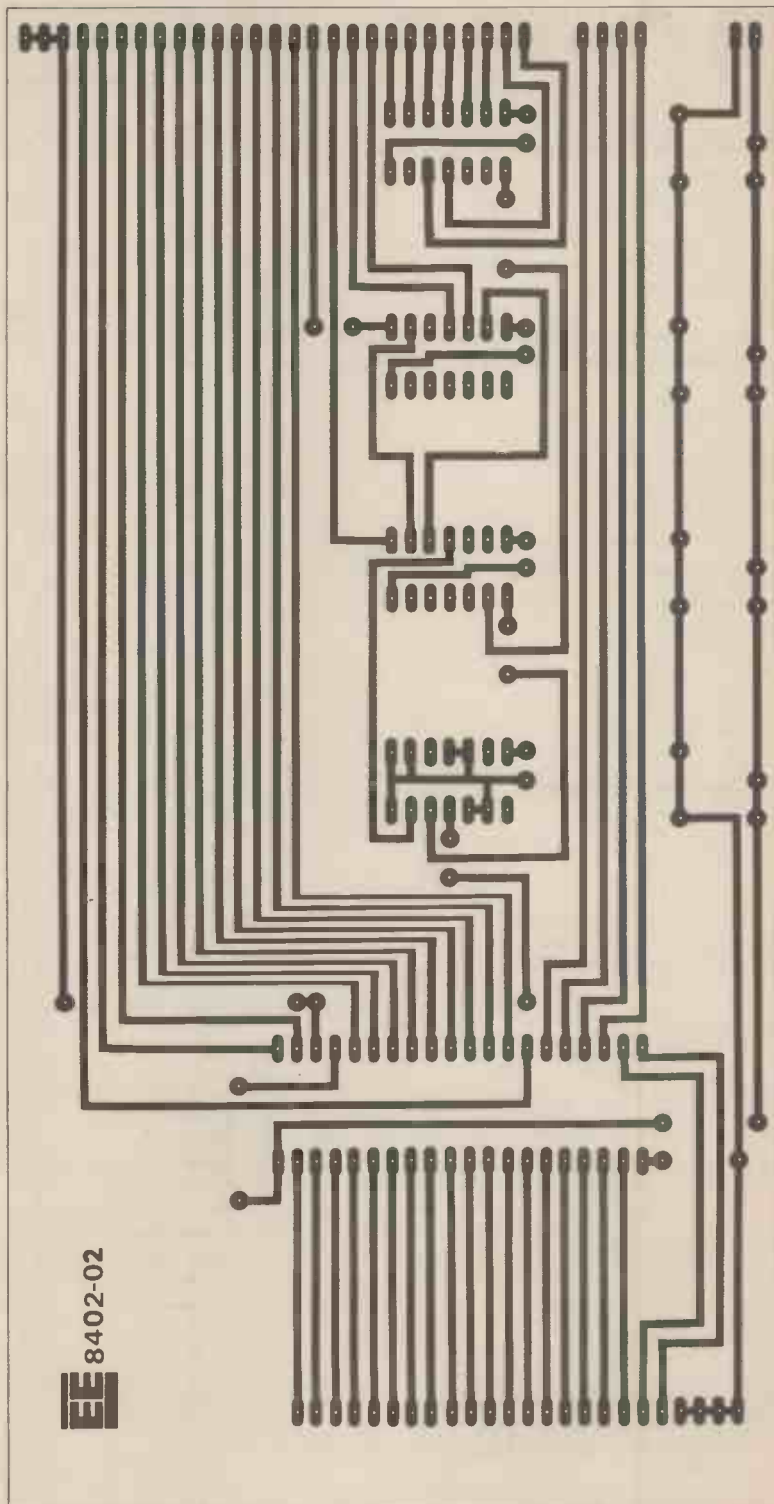
these address locations as is the case with the Oric 1 (48K). Fortunately, this situation can be prevented since the internal RAM can be effectively disconnected from the data bus by taking the pins labelled MAP, ROMDIS and I/O control low during a read operation. The 6522 CS2

signal obtained from the A15 to A4 address decoder is used for this purpose.

All input/output lines of the 6522 are available to the user, including the edge-sensitive inputs CA1 and CB1.

The +5V supply for the circuit is derived from the Oric expansion port.

Fig. 8.7. Master p.c.b. pattern for the Oric Port Board shown actual size. This board is available from the *EE PCB Service*, Order code 8402-02.



COMPONENTS



See
**Shop
Talk**

page 87

Resistor

R1 3.3kΩ ¼W carbon ±5%

Capacitors

C1-4 0.047μF polyester type C280 (4 off)

Semiconductors

IC1 74LS30 low power Schottky TTL
8-input NAND gate

IC2 74LS20 low power Schottky TTL dual
4-input NAND gate

IC3 74LS04 low power Schottky TTL hex
inverting buffers

IC4 74LS00 low power Schottky TTL quad
2-input NAND gate

IC5 6522 versatile interface adaptor

Miscellaneous

PL1 24-way inter-p.c.b. straight plug (see
text)

SK1 34-way i.d.c. cable mounting socket
Printed circuit board: size 203 x 95mm, *EE PCB
Service*, Order code 8402-02; 14-pin d.i.l. i.c.
socket (4 off); 40-pin d.i.l. i.c. socket; 22 s.w.g.
tinned copper wire; 34-way i.d.c. ribbon cable.

Approx. cost
Guidance only

£18

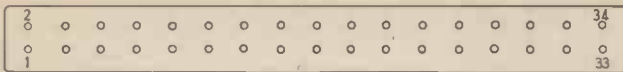


Fig. 8.8. Pin numbering of the Oric Expansion socket.

Fig. 8.9. Layout of the components on the topside of the p.c.b.

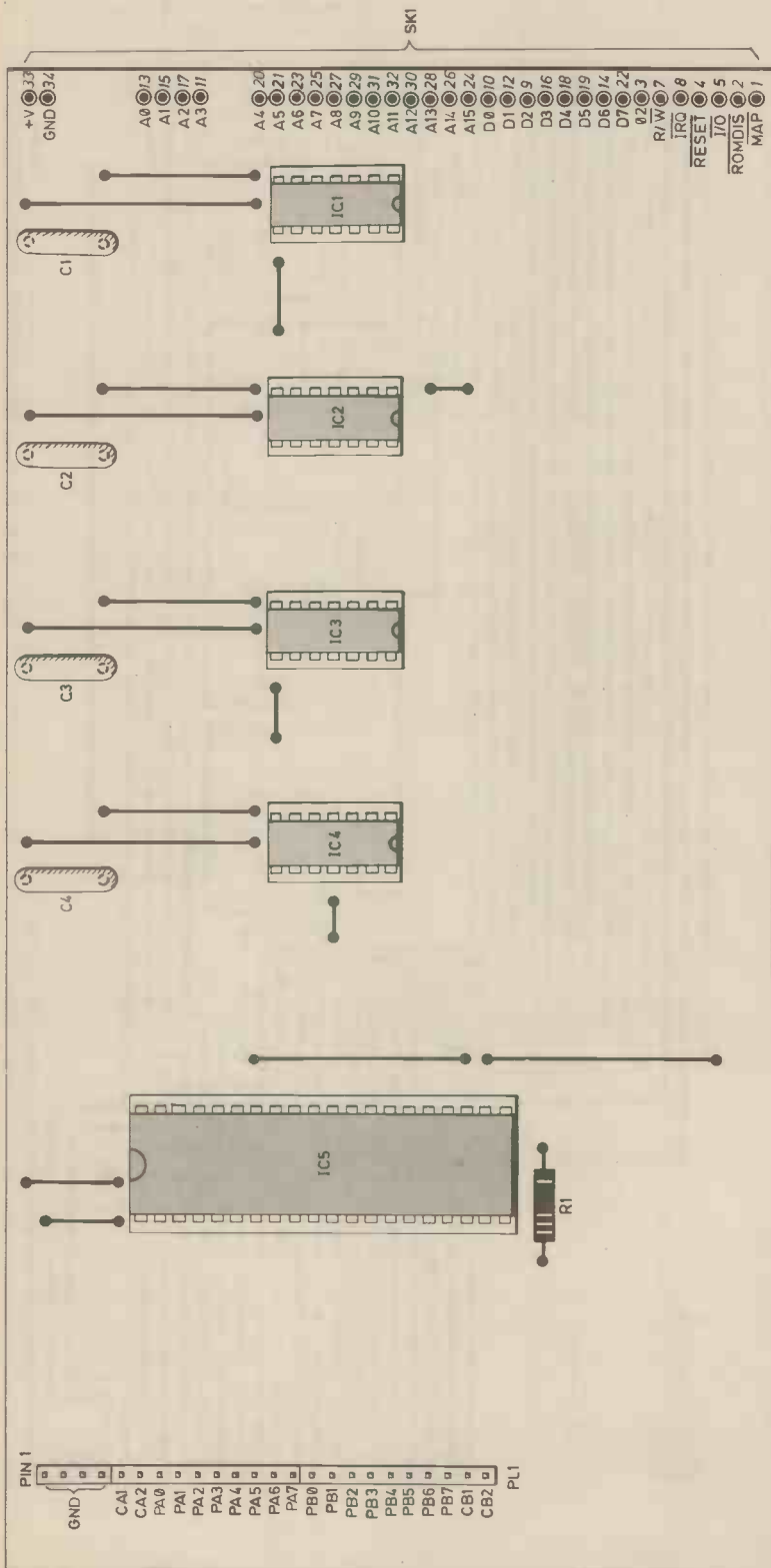


Table 8.1. Identification of the Oric Expansion Port Connector

Pin No.	Signal	Pin No.	Signal
1	MAP	18	D4
2	ROMDIS	19	D5
3	Ø2	20	A4
4	RESET	21	A5
5	I/O	22	D7
6	I/O CONTROL	23	A6
7	R/W	24	A15
8	IRQ	25	A7
9	D2	26	A14
10	DØ	27	A8
11	A3	28	A13
12	D1	29	A9
13	AØ	30	A12
14	D6	31	A1Ø
15	A1	32	A11
16	D3	33	+5V
17	A2	34	GND

It is essential that low power Schottky TTL devices (LS types) are used for IC1 to IC4.

Fig. 8.7 shows a rear view of the Oric and in particular the Expansion Port. Table 8.1 identifies the 34 signal lines.

ASSEMBLY

All the components are assembled on a printed circuit board. The actual-size master pattern for this p.c.b. is shown in Fig. 8.8. This board is available from the *EE PCB Service*, Order code 8402-02. The components are mounted on the top-side of the board as shown in Fig. 8.9.

Begin by soldering in the preformed link wires (16 in all) followed by the five i.c. sockets.

PL1 is a 24-way p.c.b. mounted plug. This has been made up from standard sizes—two 10-way types and one 4-way. Fit and solder these plugs to the p.c.b.

The expansion bus on the Oric is accessible via a 34-way plug fitted to the rear of the computer as shown in Fig. 8.8. Fit the mating i.d.c. socket to a length of 34-way i.d.c. ribbon cable. Strip and tin all the free ends of this cable and solder to the p.c.b. as shown in Fig. 8.9.

Finally, solder in place the four capacitors. Fit four or six self-adhesive rubber feet to the p.c.b. underside to complete the unit.

SOFTWARE

Software detailing how the 6522 VIA may be used with external I/O devices has been covered in earlier articles in this series. The sixteen internal registers in the external VIA for the Oric 1 are situated between 49136 and 49151 (decimal).

Some appropriate registers, together with their memory locations, are:

Parallel Port B	49136
Parallel Port A	49137
Data Direction Register for Port B	49138
Data Direction Register for Port A	49139
Peripheral Control Register	49148
Interrupt Flag Register	49149

To be continued: Direct Bus Interfacing for BBC and Commodore computers.

CIRCUIT EXCHANGE

NOVEL SOUND-TO-LIGHT

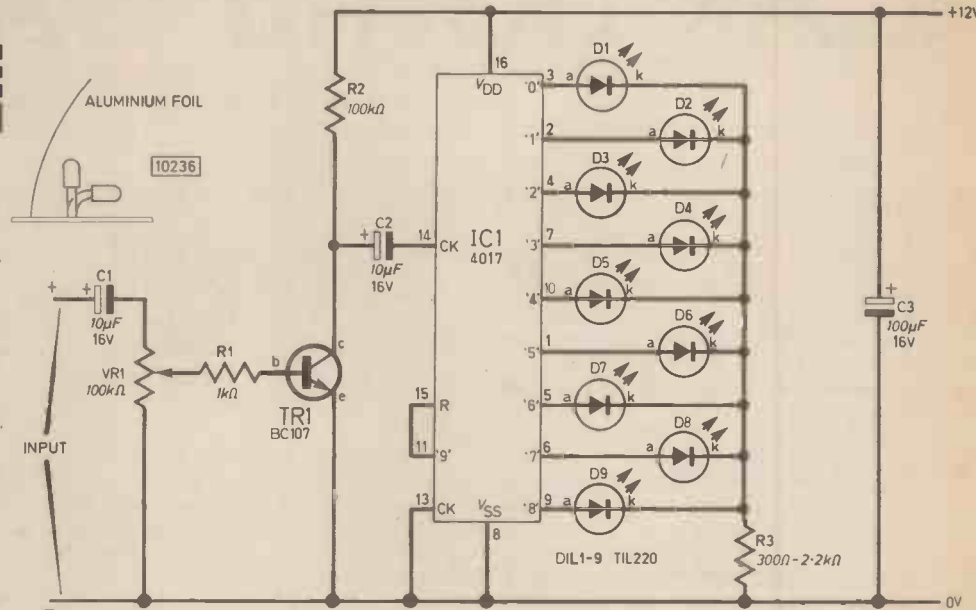
I HAVE designed this circuit to fill the gap between a simple one-transistor sound-to-light and a unit using filters and mains lamps.

The effect of the sound reaching the input is to trigger IC1 to count on one. This means that when the music gets louder the l.e.d.s move faster.

If you wish to use fewer l.e.d.s, a wire link should be taken from where the next l.e.d. would have gone to the reset, pin 15.

If two l.e.d.s are put in parallel, the second one can be pointed towards the viewer for added effect as shown in the diagram.

Jeremy Kendall,
Chelmsford,
Essex.



COUNTER INTELLIGENCE

BY PAUL YOUNG

Out of Order

There is one problem that, in all my years of retailing, I have never successfully solved. If you run a Mail Order Service, and a customer orders a certain semiconductor device or similar component, should you send him the exact equivalent if you haven't got the original?

The difficulty is this, if you send the equivalent some customers will be delighted, others will be furious, and you cannot send it without a word of explanation. I can take the easy way out, and write on the order, "Out of Stock", or I can write saying that I have an exact equivalent and will be pleased to send it if required.

One customer will reply and say, why on earth didn't you send it, and the next will write to say he doesn't want it. I remember an instance a few years ago, when the late and much missed Frank Rayer, designed at my suggestion a Soldering Iron Heat Control. Unfortunately on the list of components required, two digits on the thyristor type number were transposed, it may have been my fault, and consequently a spate of letters from disgruntled customers followed, saying that they had been sent the wrong component. This necessitated a letter of explanation to each one, and I know some of my colleagues will agree with me when I say none of us enjoy letter writing.

All Charged Up

I wonder how many of our readers were caught out with flat car batteries during the

recent sudden snap of cold weather? With a manual gear box it is always possible to push your car, but if you have an automatic you are in real trouble.

Most of us carry a pair of heavy duty leads to enable us to jump start from someone else's battery. All the same it occurred to me it would be much safer to always have a spare battery to hand.

The question is, how do you make sure that your spare battery is always on the top line? If it is left either fully charged, or uncharged, it will deteriorate fairly rapidly.

I called on a gentleman who has been making car batteries for over thirty years, and here are his words of wisdom. First of all fully charge the battery. He suggests charging at 3 to 4 amps for at least 24 hours. After 28 days fully discharge the battery at about 2 to 3 amps. This could be done with a heavy duty resistor about 6 ohms at 25W should suffice. If this is difficult to locate, a 36W car bulb will serve the same purpose.

Having a poor memory, my next requirement is a time switch. After 28 days it must switch off the charger and connect the lamp or resistor, and then after the battery is discharged it must reverse the process. If a lamp was used the reversal process could be initiated from the light source.

Can any of our readers make suggestions how to accomplish this. The 28-day time switch is the stumbling block.

Vital Statistics

The other night I was relaxing in my armchair, trying to forget all about compo-

nents and computers when suddenly on the box, up came the "Miss World Competition". Deciding it might improve my knowledge, and perhaps I should find out what these mysterious figures called: "Vital Statistics" really are, I forced myself to continue watching.

Imagine my dismay, when, just before they paraded in their swimsuits, Peter Marshall said: "To help the judges decide, all the figures (digital of course) are going to be fed into a computer and as each girl appears, her score will be shown at the bottom of the screen".

The numerical results seemed to me to be quite meaningless varying from one to twenty-six. After all, I've always maintained there is very little to choose between any of these lovely young ladies, an inch here or an inch there.

Walter Mitty Young was of course busy imagining how much better job he could make of it with a tape measure, but I suppose after being fed with an endless succession of 36-24-36's the computer was about red hot, and didn't care what results it put out. I mention all this, because I know most of our readers are far too serious minded to waste their time on such frivolous things as watching Miss World.

However, I must conclude with a warning note. In case you are not familiar with the strange reasoning processes of the fair sex, don't under any circumstances say to the girl of your dreams: "I am not sure if you are really beautiful, I will have to feed the essential figures into my computer first". You will not only, not get the bird, you will be given the bird and your Acorn wrapped round your neck for good measure.

Under these circumstances, you can only say, as Sir Phillip Sydney said to Good Queen Bess, after incurring her wrath,

*"Thy most kissworthy face,
Anger invests with such a lovely
grace."*

and hope for the best.

CAR LIGHTS WARNING

BY A. BURDETT

MOST drivers have experienced the frustration some time or another of parking their car for the day and coming back in the evening to find that they have accidentally left their lights on. The result, with modern small batteries, is often that they have discharged too much to start the engine. At the end of a long day, the last thing one wants to cope with is a flat battery!

It is very easy to forget to switch off the side and tail lights and on a bright day, equally easy to walk away from the car without noticing either that the dashboard warning light, or the car lights, are on. This danger is increased on those cars that have lights controlled by a joystick switch on the steering column which only needs a very light touch with the knee to switch the lights on unintentionally.

Such accidents, occurring several times last year, prompted the writer to design and construct the simple device described here. It has the advantage of being very easy to build, robust to stand the vibration it will get, and it requires no alteration to the wiring of the car, bodywork drilling, or attachment of sensors. It is designed for the normal 12-volt system. (Subsequent checks have shown that it will operate on 6 volts with only a small reduction in sound level.)

THE CIRCUIT

Fig. 1 shows the circuit, which utilises two *npn* transistors connected in the grounded emitter mode to control a piezo-electric buzzer. Two BC 107s were used in the prototype because they were handy on the bench and from another job, the resistor values necessary to make

them switch as logic NOR gates, which is what they are in effect doing in this application, had already been derived.

There are three internal connections:

The lead marked "Lights" is connected to the output side of the switch which controls the side and tail lights.

The lead marked "Ignition" is connected to the output side of the ignition switch.

The lead marked "0V" is connected to the negative side of the car system. This is usually also earth but in some cars with a positive earth system, this is not so. This should be checked for the car to which it is intended to fit the device.

OPERATION

When the car lights are switched off, nothing happens as the whole circuit is de-energised. If the ignition is on and also the lights, the base of TR1 is held at about 4 volts positive through the potential divider R1, R2 and this is sufficient to cause it to conduct. The collector voltage comes down to practically zero, and this is applied to the base of TR2 which stops it conducting and the buzzer will not sound.

In this condition, the device will put a negligible load on the car battery of about 4 milliamps.

If the ignition is switched off and the lights are left on, the signal on TR1 falls to about zero and TR1 will cease to conduct. The base voltage of TR2 is now set by the potential divider chain R3, R4, R5 at about 3.8 volts which allows TR2 to conduct sufficient current for buzzer WD1 to sound. Switching the car lights off, of course, stops it.

Fig. 1. Circuit of Car Lights Warning Device.

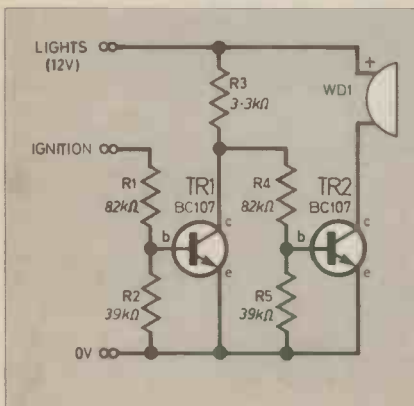
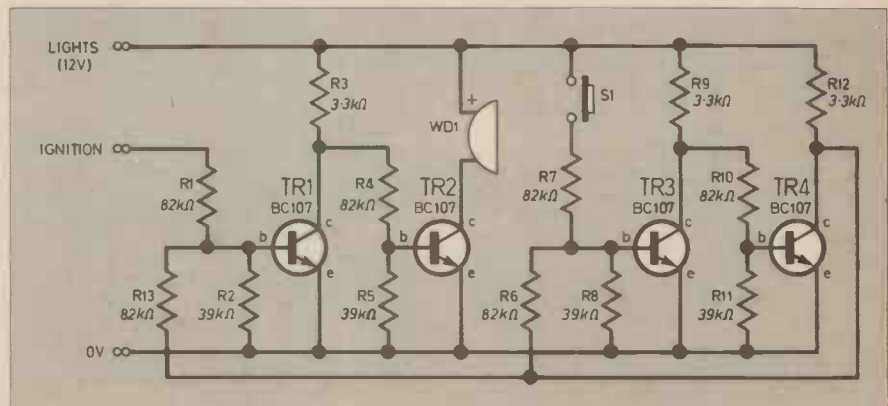


Fig. 3. A "refined" version with optional manual override of buzzer for one cycle of operation.



COMPONENTS

CAR LIGHTS WARNING DEVICE

Resistors

R1	82kΩ
R2	39kΩ
R3	3.3kΩ
R4	82kΩ
R5	39kΩ
All ¼W carbon film ±5%	

See
**Shop
Talk**
page 87

Semiconductors

TR1,2	BC107 <i>npn</i> silicon (2 off)
WD1	12V piezo-electric buzzer

Stripboard 0.1in matrix, 16 strips
by 22 holes.

ADDITIONAL COMPONENTS FOR FIG. 3 VERSION

Resistors

R6	82kΩ
R7	82kΩ
R8	39kΩ
R9	3.3kΩ
R10	82kΩ
R11	39kΩ
R12	3.3kΩ
R13	82kΩ

S1 panel mounted
push-button switch,
one pair normally
open contacts

Stripboard of suitable size.

Approx. cost
Guidance only

£3

CIRCUIT BOARD

The device is built upon a piece of 0.1in pitch Veroboard fitted with the necessary links, which can be made with bare 22 s.w.g. tinned copper wire or similar, as shown in Fig. 2. The places

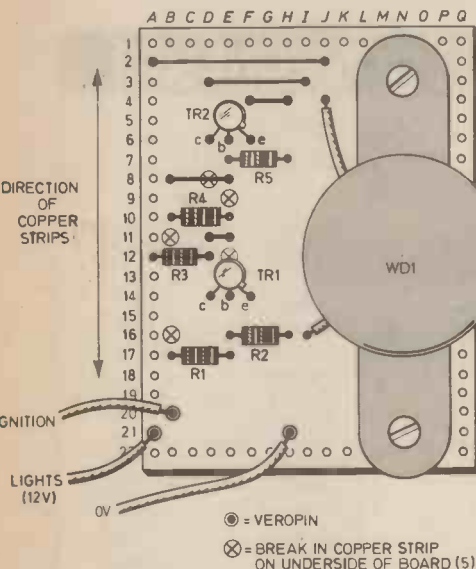


Fig. 2. Component layout. Note breaks in copper strips on underside, and link wires to be fitted to top of board.

where the track needs cutting on the opposite side of the board are indicated in Fig. 2, also the three flying leads to connect into the car wiring.

INSTALLATION

The positioning of the device in the car is largely a matter for the constructor's inclination and the layout of his or her car. In the car in which the prototype was to be fitted, all the wiring for the ignition and lights comes up the steering column. The simplest way to install it in this case was to wrap it in insulating tape, make the necessary connections and allow it to lay in the wiring harness, held securely in place by the wiring cover.

A POSSIBLE REFINEMENT

A refinement which has not been added to the prototype yet but which has been successfully bench tested allows the buzzer to be switched off when parking in places where it is necessary to leave the lights on. The circuit is shown in Fig. 3 and requires the addition of two more transistors, eight extra resistors and a push-button with one normally open contact.

Operating the push-button inhibits the buzzer but when the lights are switched off, the whole circuit resets. The alternative of simply inserting a switch in the buzzer supply has the big disadvantage that the switch would tend to be left in the off position and defeat the whole idea of

the device.

On switching on the ignition and lights, TR3 is biased to cut off and the base of TR4 is held at about 3.8 volts via R9, R10, R11. In this state TR4 conducts and its collector is at about zero volts. Thus there is no feedback signal to TR1 and TR1 and TR2 operate exactly as in Fig. 1.

If the ignition is switched off, leaving the lights switched on, the buzzer will sound as before. If push-button S1 is then pressed momentarily, it will send the base of TR3 high. TR3 then conducts and pulls the base of TR4 down to near zero. TR4 cuts off and as its collector voltage rises, it applies a signal to TR1 via R13, and to TR3 via R6.

The signal to TR1 serves to replace that previously supplied from the ignition switch, causes TR1 and TR2 to change state again, and the buzzer stops.

The voltage simultaneously applied to TR3 acts as a latching signal to retain TR3 and TR4 in the same state when PB is released. Thus the signal is maintained on TR1 and the buzzer stays silent.

When the lights are switched off, the circuit resets.

With this "improved" version, the drain on the car battery is about double that of the simpler circuit as two transistors are conducting at any one time, but it then only amounts to about 8 milliamps which is still low enough to have no practical effect for the relatively short periods when it will occur. □

CIRCUIT EXCHANGE

SOIL MOISTURE MONITOR

THE circuit to be described can be used to monitor soil moisture level at four different locations simultaneously. An alarm is sounded when watering is needed at any of these locations. The particular

location will be indicated by an illuminated l.e.d.

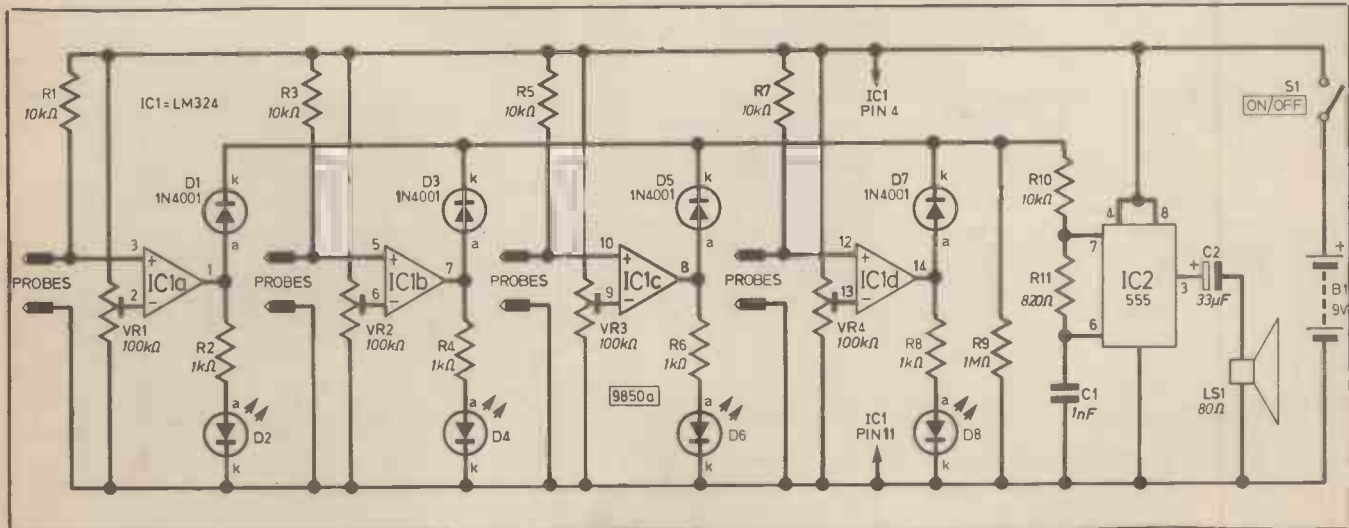
Only two i.c.s are used. IC1 is a quad op-amp. Each op-amp is used as a sensing circuit and the l.e.d. at the output of each would be lit up if their probes are in a comparatively dry soil. The moisture levels for each probe can be controlled individually by setting the presets VR1 to VR4.

Each probe is made from a pair of thick wires or rods about 12cm long. Their mutual separation should be about 1.5cm. They must be parallel to each

other, with their upper ends fixed to some non-conducting board of suitable size. The probes should be tinned (if possible) to prevent corroding. Screened cable should be used for connecting each probe to the unit.

When any of the probes "feel" that the soil is becoming drier than the preset level, the corresponding l.e.d., is lit up. This activates the 555 timer (IC2) which produces the alarm via LS1.

J. Sreekumar,
Kaloor, Cochin,
India.



CIRCUIT EXCHANGE

This is the spot where readers pass on to fellow enthusiasts useful and interesting circuits they have themselves devised. Payment is made for all circuits published in this feature. Contributions should be accompanied by a letter stating that the circuit idea offered is wholly or in significant part the original work of the sender and that it has not been offered for publication elsewhere.

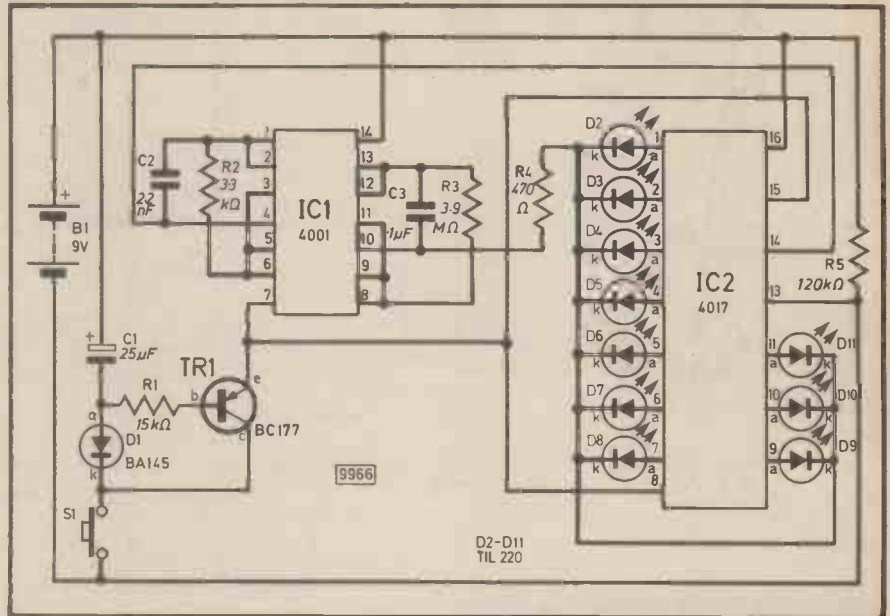
MINI-ROULETTE

WHEN S1, a push-to-make switch is pressed a negative charge on C1 turns on TR1 and also enables pin 13 of IC2 a CMOS 4017 decade counter to start sequencing. The 10 l.e.d.s will all flash. When S1 is released the winning l.e.d. will remain flashing for approximately 20 seconds, then will automatically switch off.

IC1 a CMOS quad 2-input NOR gate, gates "A" and "B" connected as an astable, provides pulses for pin 14 of IC2.

Gates "C" and "D" also connected as an astable provides the negative supply line for the cathodes of the 10 l.e.d.s via R4, pin 10 of IC1, pin 7 of IC1 and emitter of TR1. D1 ensures IC2 stops sequencing with l.e.d.s 1, 3, 5, 7, 9 red and 2, 4, 6, 8, 10 green. This can also be used as a "yes or no" game.

Joseph Wood,
Fauldhouse,
West Lothian.



BURGLAR ALARM SYSTEM WITH EXIT DELAY

THE monostable timer based around IC1 is provided so that the operator may arm the unit, by turning on at S1, and leave the premises after pressing S2 without triggering the alarm. When S2 is pushed, the output (pin 3) of IC1 goes high for a period controlled by the values of R3 and C3 and activates RLA. The normally closed contacts RLA1 open and switch off power to the alarm circuitry.

After the set period, 30 seconds with component values shown, the relay drops out and contacts RLA1 close and recon-

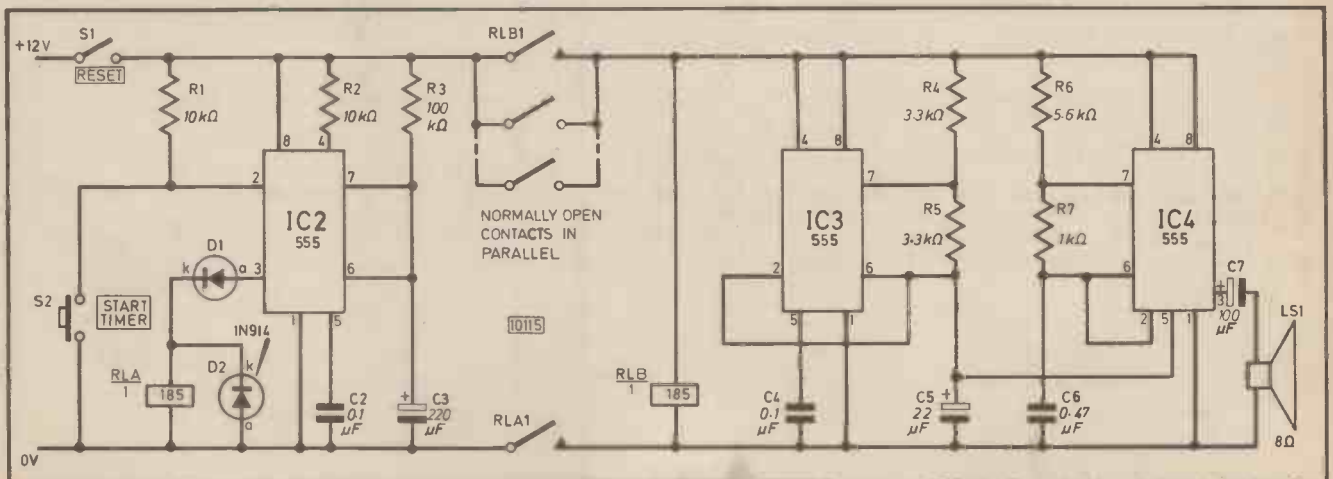
nect power to the alarm circuitry. Increase the values of C3 and/or R3 to increase the exit delay time.

When one of the normally open security switches closes, RLB is energised and RLB1 contacts close. This latches on RLB so even if the security switch is opened quickly after being closed, power will still be applied to the alarm circuitry and the alarm will sound.

IC2 and IC3 are two astable multi-vibrators, the first modulating, the second to produce a siren-like sound.

The maximum current that may be supplied by a 555 timer i.c. is 200mA. This sets the minimum speaker impedance at about 64 ohm. If a louder sound is required then a higher powered speaker rated at 8 ohms may be used, provided a current amplifier is interposed between the output of IC3 and the speaker.

Brian McNeill,
Boghall,
Scotland.

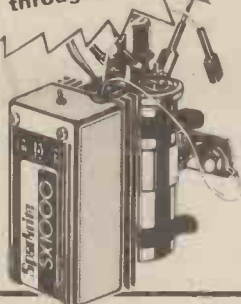


Step-by-step fully illustrated assembly and fitting instructions are included together with circuit descriptions. Highest quality components are used throughout.

Sparkrite

SELF ASSEMBLY ELECTRONIC KITS

PRICES REDUCED ON SUPER SAVE D.I.Y. KITS



SX 1000 Electronic Ignition

- Inductive Discharge ● Extended dwell circuit stores greater energy in coil ● Three position changeover switch ● Patented clip-to-coil fitting ● Easy to assemble, easy to fit ● Contact breaker triggered - includes bounce suppression circuit.

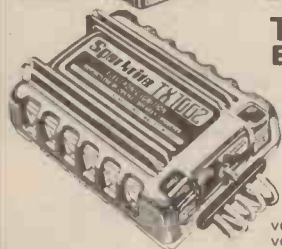
SUPER SAVE

SX 2000 Electronic Ignition

- Reactive Discharge ● Combines inductive & capacitive energy storage ● Gives highest possible spark energy ● Patented clip-to-coil fitting ● Easy assembly sequence ● Contact breaker triggered - includes bounce suppression circuit.



SUPER SAVE

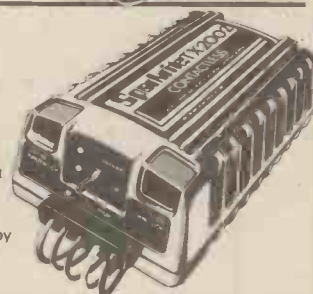


TX 1002 Electronic Ignition

- Inductive discharge ● Extended dwell circuit stores greater energy in coil ● Three position changeover switch ● Contactless or contact breaker triggered ● Clip-to-coil or remote mounting ● Rugged die-cast case ● Contactless adaptors included for majority of 4 & 6 cylinder vehicles ● Easy to build ● For details of vehicles fitted by contactless trigger, ring Technical Service Dept on (0922) 611338-9.

TX2002 Electronic Ignition

- Two separate systems in one unit! ● Reactive Discharge OR Inductive Discharge, with three position changeover switch ● Gives highest possible spark energy ● Clip-to-coil or remote mounting ● Rugged die-cast case ● Contactless or contact breaker triggered ● Contactless adaptors included for majority of 4 & 6 cylinder vehicles ● For details of vehicles fitted by contactless trigger, ring Technical Service Dept on (0922) 611338-9.



AT-40 Electronic Car Alarm

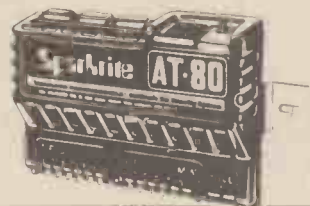
- Guards doors, boot, bonnet from unauthorised entry ● Armed/disarmed using concealed switch ● 30 second delay-to-arm: 7 second entry delay ● Can alternatively be wired to exterior key switch ● Flashes headlights & sounds horn intermittently for 60 seconds when activated ● Security loop protects accessories ● Low consumption C-MOS circuitry.



NEW

AT-80 Electronic Car Security System

- Guards doors, boot, bonnet from unauthorised entry ● Armed/disarmed from outside vehicle by magnetic key fob passed across sensor pad adhered to inside of windscreen ● Individually programmable code ● 30 second delay-to-arm ● Flashes headlights and sounds horn intermittently for 60 seconds when activated ● Security loop protects accessories ● Function lights to assist setting-up ● Low consumption C-MOS circuitry.



SUPER SAVE

ULTRASONIC Intruder Detector

- Supplementary to AT-40 & AT-80 ● Will work in conjunction with any door switch input or voltage sensing alarm ● Detects attempted break-in and movement within passenger compartment & triggers alarm ● Includes high efficiency ultrasonic transducers ● Crystal controlled for low drift ● Ingenious sensitivity control allows freedom from false alarms ● Low current consumption



NEW

VOYAGER Car Drive Computer

- 12 functions centred on Fuel, Speed, Distance and Time ● Single chip microprocessor ● Large high brightness fluorescent display with auto-timming feature ● High accuracy distance & fuel transducers included ● Display: MPG, L/100km and miles/litre at the flick of a switch ● Visual & audible warnings of excess speed, ice, lights-left-on ● Independent LOG & TRIP functions ● Low consumption crystal controlled circuitry.



SPECIAL OFFER
"FREE" MAGIDICE KIT WITH
ALL ORDERS OVER £40.00



MAGIDICE Electronic Dice

- Triggered by waving hand over dice ● Completely random selection ● Bleeps & flashes during 4 sec tumble ● Throw displayed for 10 seconds then flashes to conserve battery ● Low consumption C-MOS circuitry.

82 BATH ST., WALSALL WS1 3DE.

SUPER SAVE

SPARKRITE (A Division of Stadium Ltd.) 82 Bath Street, Walsall, WS1 3DE England Tel: (0922) 614791

Allow 28 days for delivery

KIT	OLD PRICE	NEW PRICE
SX 1000	£12.95	£11.95
SX 2000	£18.95	£18.95
TX 1002	£22.95	£22.95
TX 2002	£32.95	£32.95
AT-40	—	£9.95
AT-80	£32.95	£24.95
ULTRASONIC	—	£17.95
VOYAGER	£64.95	£64.95
MAGIDICE	£9.95	£6.95

NEW!
NEW!

NAME _____
ADDRESS _____

I ENCLOSE CHEQUE(S)/POSTAL ORDERS FOR

£ _____ KIT REF. _____

CHEQUE No. _____

EE/2/84

PRICES INC. VAT, POSTAGE & PACKING.

PHONE YOUR ORDER WITH



BRANDLEADING BRITISH ELECTRONICS

CUT OUT THE COUPON NOW!

SIGNAL TRACER

BY R. A. PENFOLD

SERVICE YOUR ELECTRONIC EQUIPMENT WITH THIS DUAL PURPOSE INSTRUMENT

THE unit described here can be used as either a Signal Injector or a Tracer, but it cannot provide the two functions simultaneously due to breakthrough from the injector circuitry to the tracer circuitry. The output of the tracer is intended for use with a crystal earphone, and the fairly high sensitivity of an earphone of this type combined with the fairly high gain of the unit enables signals of less than a millivolt peak-to-peak to be detected.

The circuit is based on a dual low noise audio amplifier i.c. which gives the signal tracer section an excellent signal-to-noise ratio. Power is provided by a small internal 9V (PP3 size) battery, and the unit is therefore self-contained and easily portable.

SIGNAL PATH

Signal injectors and tracers enable faulty audio, radio, and similar items of electronic equipment to be rapidly serviced if there is a fault that causes a break in the signal path. A signal injector simply produces an audio signal that is rich in harmonics and therefore provides a wide range of output frequencies that extend well into the radio frequency spectrum, in addition to the fundamental audio signal.

This enables the unit to be used for checks on the mixer and i.f. stages of a.m. radios, as well as on the audio stages and on radio equipment. A signal tracer is merely a high gain audio amplifier that feeds a loudspeaker or earphone, and can

therefore be used to detect even very low-level audio signals. With the addition of an r.f. probe it is also possible to detect amplitude modulated radio signals of moderate strength (or even very low-level r.f. signals if an active probe is employed).

DUAL OP-AMP

The integrated circuit used in the unit is the National Semiconductor's LM387, and this is housed in a standard 8-pin d.i.l. plastic package. Fig. 1 shows the general arrangement and pin-out details of this device, and as will be apparent from this, the device is basically two operational amplifiers.

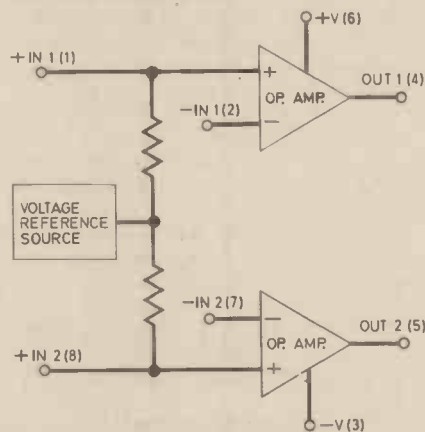
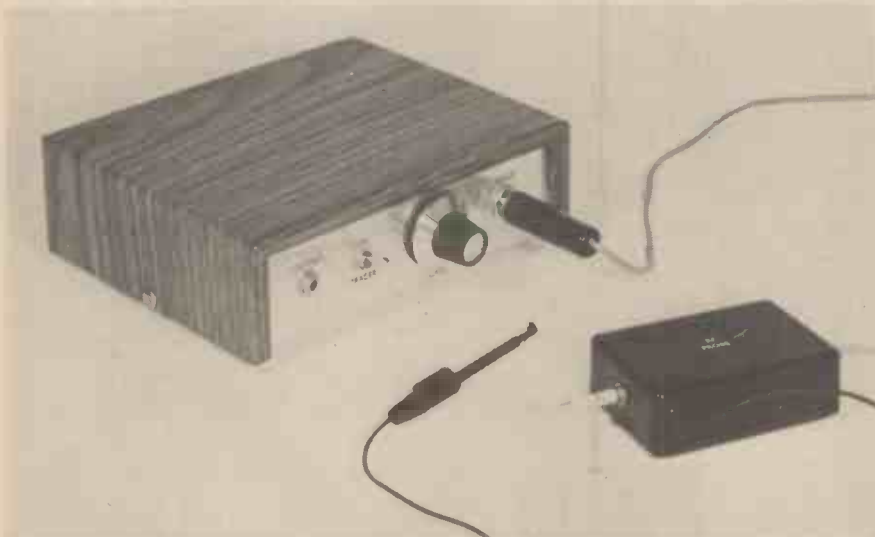


Fig. 1. The general arrangement and pin-out details of the LM387 integrated circuit, and also shown are the two operational amplifiers that make up the circuit.

The signal injector tracer unit showing the front panel controls with the r.f. probe connected to the unit via a standard stereo jack plug.



However, these two amplifiers are designed to have low levels of noise and distortion, and there is an internal bias circuit which feeds a low voltage (about 1.4V) to the non-inverting input of each amplifier. The two amplifiers are internally compensated and require no external components to prevent instability in normal use.

COMPONENTS

Resistors

R1,6	39k Ω (2 off)
R2,5	120k Ω (2 off)
R3	220 Ω
R4	12k Ω
R7	6.8M Ω
R8,9	1k Ω (2 off)
All	$\frac{1}{4}$ W carbon $\pm 5\%$

See
**Shop
Talk**
page 89

Capacitors

C1,3	100nF (2 off) type C280
C2	390pF ceramic plate
C4,5	100 μ F 10V elect. (2 off)
C6	10nF type C280
C7	4.7nF polystyrene
C8	2.2 μ F 25V elect.
C9	150pF ceramic plate
C10	22nF ceramic plate
C11	2.7nF ceramic plate

Semiconductors

D1	OA91 germanium
TR1	BF244B j.u.g.f.e.t. n-channel
IC1	LM387N low-noise dual pre-amplifier

Miscellaneous

VR1	100k Ω log. with switch S2
S1	s.p.s.t. miniature toggle
S2	d.p.d.t.
SK1	standard jack socket
SK2	3.5mm jack socket
PL1	standard stereo jack plug
B1	PP3 9V
0.1 inch matrix stripboard, 13 strips by 26 holes (signal injector/tracer circuit); 0.1 inch matrix stripboard, 7 strips by 6 holes (r.f. probe circuit); plastics case, 152 x 114 x 44mm (Maplin type TP2), for main circuit; plastics case, 71.5 x 49 x 24.5mm (for r.f. probe circuit); earthing clip; long M3 or 6BA bolt, matching nut and soldertag; p.v.c. sleeving.	

Approx. cost
Guidance only

£13

They have the usual high voltage gain associated with operational amplifiers (their typical voltage gain is 160,000 times at 100Hz), and a high unity gain frequency of typically 15MHz.

The device will operate over a supply voltage range of 9V to 30V and has a current consumption of typically 10mA. It is short circuit protected.

CIRCUIT DESCRIPTION

Refer to Fig. 2 for the complete circuit diagram of the signal injector tracer unit. IC1a is used as the basis of the tracer section while IC1b is used in the injector section.

Taking the tracer circuitry first; IC1a is used as a non-inverting amplifier. Normally with this type of circuit 100% negative feedback over the amplifier is provided at d.c. and a bias potential of half the supply voltage is applied to the non-inverting input. As the feedback gives unity voltage gain at d.c., this results in the output of the amplifier being biased to half the supply potential, and permits the optimum peak-to-peak voltage swing before clipping of the output signal and severe distortion are produced.

This method cannot be used here as the input bias voltage is too low and it is necessary to have a d.c. negative feedback loop that gives a small amount of voltage gain at d.c., and therefore gives a quiescent output voltage that is suitably high. R1 and R2 form the d.c. feedback circuit, and give a voltage gain of roughly four times.

This level of gain is inadequate at audio frequencies where a much higher voltage gain is needed in order to give the unit good sensitivity. R3 is therefore used to shunt R1 at these frequencies and give

a voltage gain of about 545 times. C5 provides d.c. blocking and prevents the d.c. voltage gain being similarly boosted by R3.

D.C. BLOCKING CAPACITOR

The capacitor C1 is the input d.c. blocking capacitor and VR1 is the sensitivity control. The input impedance of the circuit is quite high at about 50 kilohms. With a crystal earpiece connected to the output there is a danger of stray feedback from the earphone lead to the input circuitry being sufficiently strong at high frequencies to cause instability. This possibility is avoided by including a low-pass filter (R4 and C6) at the output and using a filter capacitor (C2) at the input.

OSCILLATION

The integrated circuit, IC1b, is biased in the same way as IC1a, but there are no additional components to boost the gain at audio frequencies. This is simply because a voltage gain of four times is quite sufficient to cause strong oscillation, and no advantage was found in using a higher gain. In order to produce oscillation it is merely necessary to provide an a.c. feedback path of reasonably low impedance from the output of the amplifier to the non-inverting input. This positive feedback is provided by C7, and the value of this component has been chosen to produce oscillation at a frequency of roughly 800Hz.

Breakthrough from the injector circuit makes it impossible to use the tracer circuit and it is therefore necessary to mute the injector while the tracer is in use. This is achieved by short circuiting C7 using S1b so that d.c. positive feedback is applied over IC1b and its output latches in

the fully high or fully low state. S1a connects the output of the tracer through to the output socket when the injector circuit is muted, or the output of the injector circuit to this socket when the injector is operating.

C8 provides d.c. blocking at the output of the injector circuit, but no d.c. blocking is necessary at the output of the tracer circuit (provided this is used with an earphone of the correct type). C3 and C4 are supply decoupling capacitors and S2 is the on/off switch. The latter is ganged with the sensitivity control, VR1, which is effectively an ordinary volume and on/off control.

CONSTRUCTION

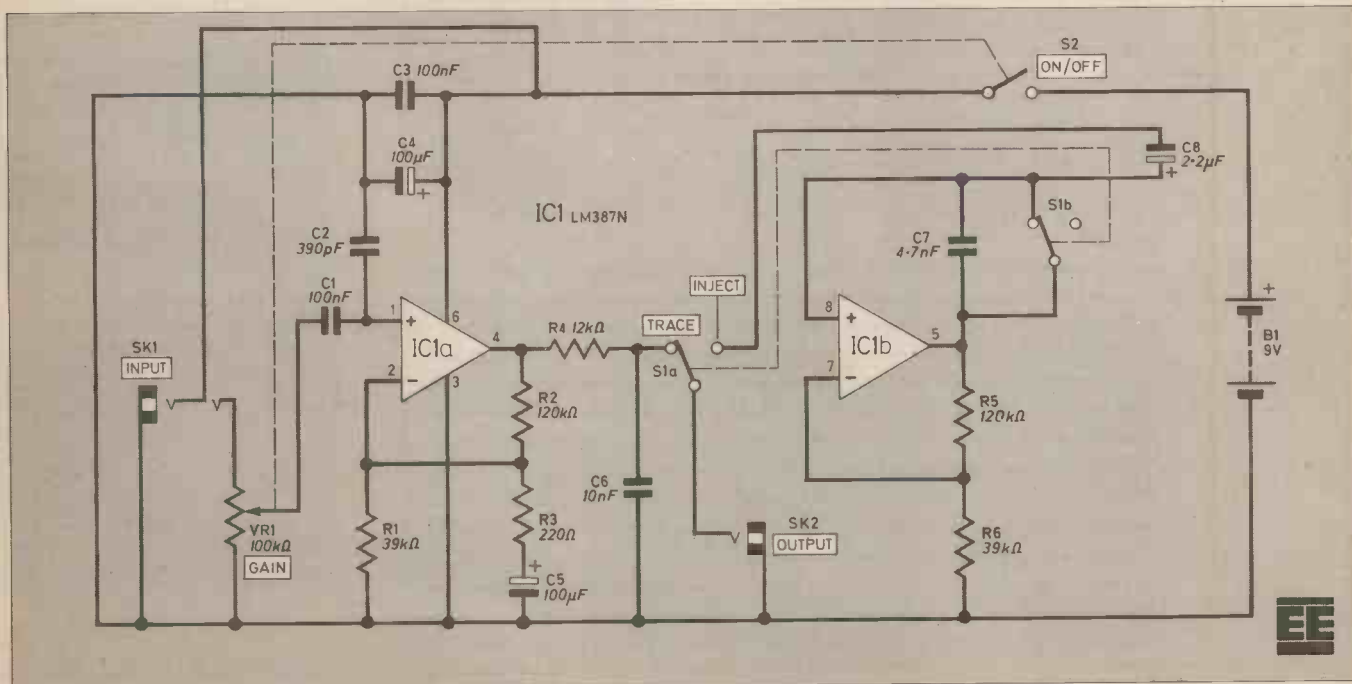
CASE

The prototype unit is housed in a metal instrument case which has approximate outside dimensions of 152 x 114 x 44mm, but a smaller case would be sufficient to accommodate the unit if maximum portability is required. A metal case is preferable to a plastic or other non-metallic type as it screens the signal tracer circuitry from any sources of mains hum, radio signals, or other sources of interference.

COMPONENT PANEL

The small components are assembled on a 0.1in matrix stripboard which has 13 copper strips by 26 holes, and as this is not a standard size in which the board is available it is necessary to cut out a piece this size from a larger board using a hacksaw.

Fig. 2. Complete circuit diagram for the signal injector tracer unit.



The two mounting holes and the four breaks in the copper strips are made prior to fitting the components and two link wires in place. The LM387 is not one of the cheapest of integrated circuits, and it is worthwhile using a socket for this.

Before bolting the completed component panel in place it is necessary to wire it to the sockets, battery clip, and controls. A few other wires are then required to complete the unit. Fig. 3 gives full details of the component panel and all the wiring of the unit.

TESTING AND USE

As for any project, a couple of thorough checks of all the wiring for

errors is a good idea before connecting the battery and switching on. With the unit switched to the inject mode, a crystal earpiece connected to the output socket, and the unit switched on by advancing VR1, a loud audio tone should be heard from the earphone.

If no tone is obtained the unit should be switched off at once and rechecked. If a tone is obtained, switching to the trace mode should silence the tone, and a slight background hiss should be heard instead. Coupling an audio signal to the input should produce the appropriate audio output from the earphone, with VR1 controlling the volume. Again, if the unit does not operate as it should, switch off immediately and recheck the wiring.

When used as a signal injector the output is first coupled to the final stages of the equipment under test and then at other strategic points in the circuit working backwards towards the input. At some point there will be an absence of the audio tone at the output, and the fault then lies in the circuitry around this last test point, or in the circuitry that immediately follows it.

SIGNAL TRACER

A similar technique is used when fault finding using a signal tracer, but the initial tests are made at the input of the unit being tested, with subsequent tests being made at points which progress towards

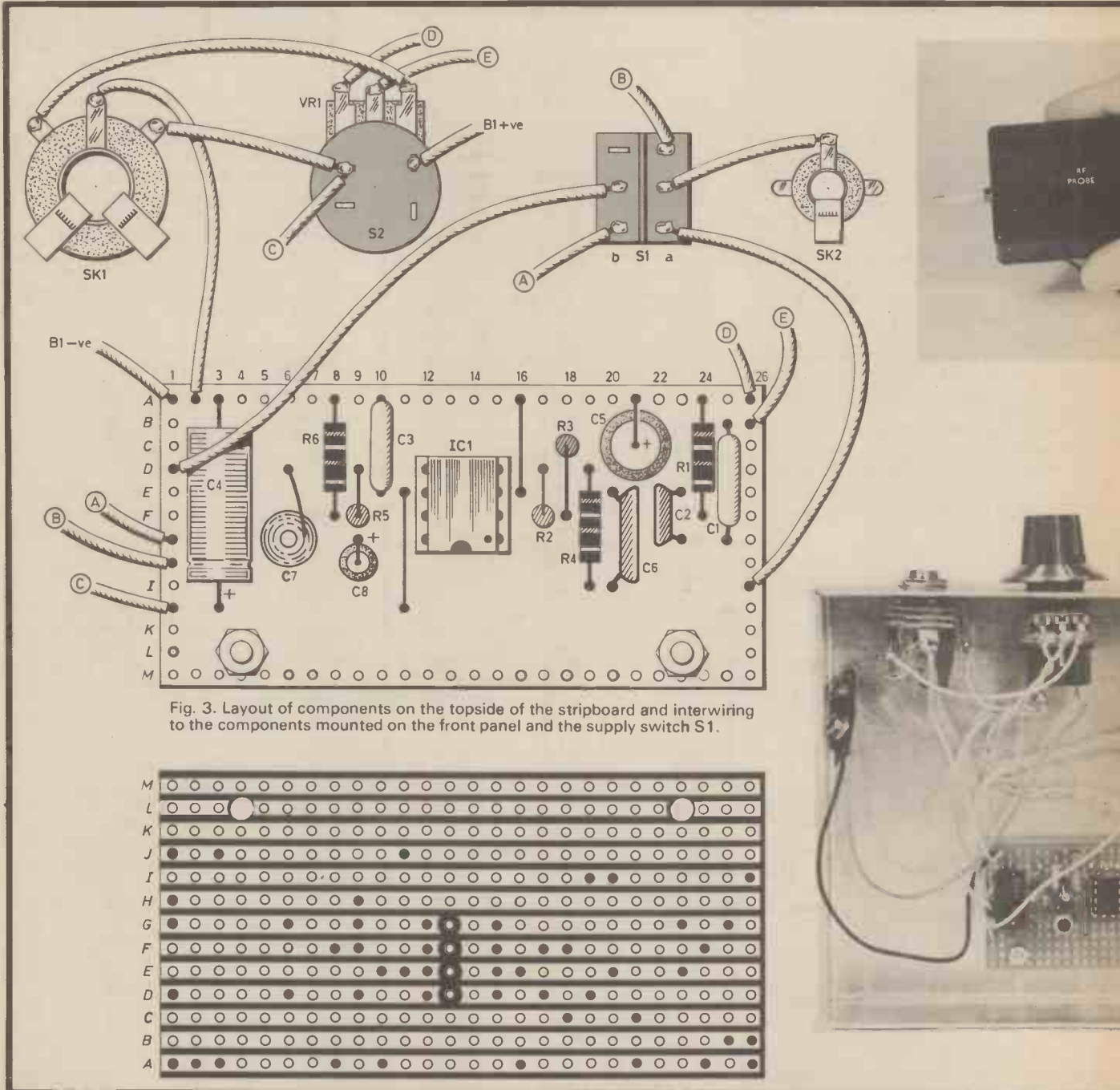


Fig. 3. Layout of components on the topside of the stripboard and interwiring to the components mounted on the front panel and the supply switch S1.

the output. Of course, there must be an input signal for the unit to trace, and this can be provided by an ordinary programme signal source for the equipment being checked, or by a signal generator of the appropriate type if a suitable instrument is available.

When this signal can no longer be detected by the tracer the approximate position of the fault has been located. It either lies in the circuitry where the fault was made, or in the circuitry immediately prior to this. Once again, the precise position of the fault will not be revealed and voltage and component test must be made in order to find out exactly what is wrong.

PROBE

The radio frequency probe is only necessary if the unit is to be used for signal tracing in a.m. radios, and audio signals are coupled to the input of the tracer via the usual set of screened test leads. The tip and main barrel connections of the input plug carry the "hot" and earth input connections respectively, and the third terminal of the plug is only employed with the r.f. probe.

It then carries the positive supply to the probe so that the probe is powered from the main unit and does not require its own battery supply.

The probe just consists of a wideband amplifier to give a high input impedance,

low input capacitance, and increased sensitivity, plus a simple a.m. demodulator. The unit is not suitable for use with f.m. equipment since the demodulator will not function properly with an f.m. signal, and would probably fail to produce any audio output at all. The probe has an operating frequency range of about 100kHz to over 50MHz.

CIRCUIT DESCRIPTION

Fig. 4 shows the simple circuit of the r.f. probe, and the input amplifier is a straightforward common source amplifier using a duration field effect transistor. This gives the required high input impedance and low capacitance, together with a typical voltage gain of a little under 20dB (10 times).

The output from the drain terminal of TR1 is coupled direct to diode detector D1. C3 is the r.f. filter capacitor and the load resistor is the track resistance of VR1 at the input of the injector/tracer unit.

As the current consumption of the probe is only about 2mA or 3mA, it will not significantly reduce the life of the battery in the injector/tracer unit.

COMPONENT BOARD

A 0.1in matrix stripboard having 7 strips by 6 holes is used to accommodate the components, and this board is illustrated in Fig. 5. The layout is very compact and it is essential to use modern miniature components, but the small size of the board enables it to be fitted into virtually any small plastic case.

The prototype is housed in a miniature Verobox, and it is advisable to use a very small case as the unit would otherwise be rather cumbersome to use.

A 6BA or M3 bolt 25mm or more in length is fitted at the front end of the case to act as the probe tip and a soldertag is fitted on this bolt, on the inside of the case, to enable a connection to be made easily to the bolt.

A file can be used to smooth and round off the end of the bolt to give a neater finish, and a piece of p.v.c. sleeving can be placed over the bolt, leaving only the tip exposed, to further improve the appearance of the unit.

WIRING

A small hole for the output lead is drilled in the rear of the case, and an entrance hole for the lead to the earthing clip is drilled in the underside of the case. These leads must be threaded through the case before they are connected to the component panel.

Twin overall screened lead is suitable for the output cable. The component panel is connected to the probe tip via a short piece of thick tinned copper wire (about 20 s.w.g.), and this also serves as the mounting for the component panel.

The r.f. probe is switched on and off in sympathy with the signal injector/tracer unit, and the probe can therefore be left connected to the injector/tracer unit without running down the battery. □

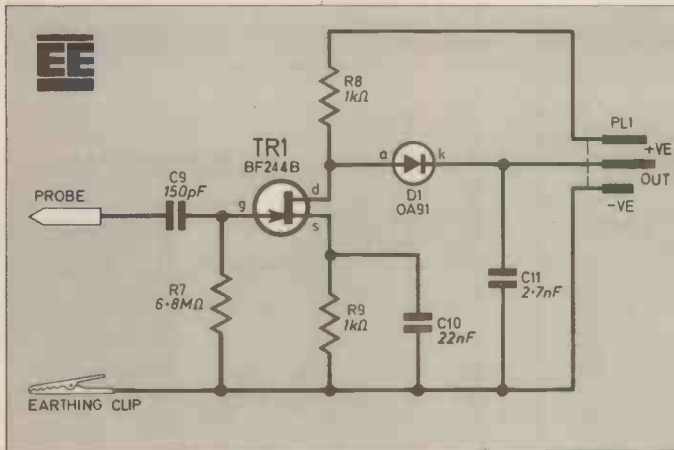
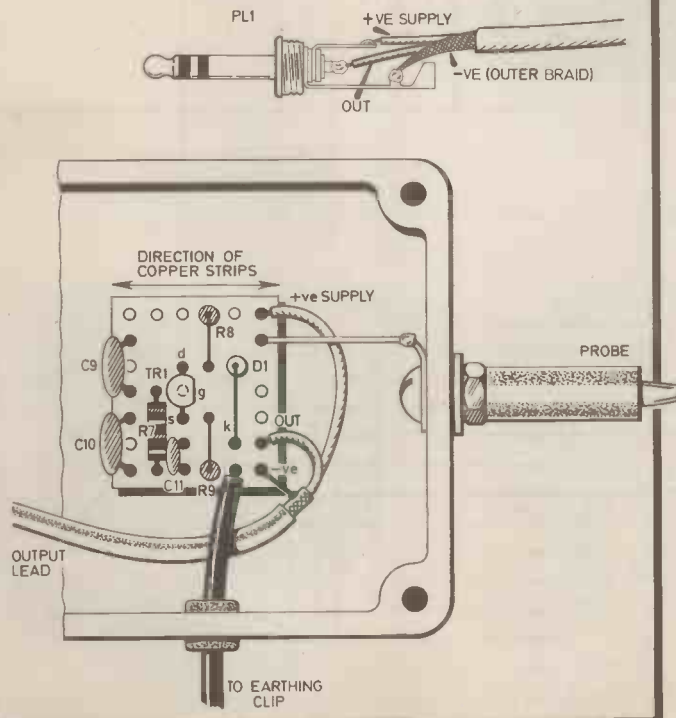


Fig. 4. The complete circuit for the radio frequency probe.

Fig. 5 (below). Details of the component layout of the r.f. probe and details for the wiring of the standard stereo jack plug.



NEW · NEW · NEW · NEW PRODUCTS NEW · NEW · NEW · NEW

MAIN PROTECTOR

A NEW Filterplug from Galatrek International is designed to protect microcomputers, word processors and all voltage sensitive equipment from mains borne interference. They claim that for the first time a filterplug has been developed with transverse mode and common mode attenuation capability.

The "plug" will protect equipment from transients and spikes

which can wipe out memory and corrupt data. It will also protect from some momentary surges, mains r.f. interference and lighting disturbance.

The unit is current rated at 2A, sufficient for most micros and accessories. Frequency is 50/60Hz.

The Galatrek Filterplug costs £29.95 including VAT and p&p. It is also available direct from the manufacturers:

*Galatrek International Ltd.,
Dept EE, Scotland Street,
Llanrwst, Gwynedd, North Wales.*



WORDS 'N MUSIC

A HAND-HELD cassette recorder called Words 'n Music has just been marketed by Dictaphone. It is a fully-featured dictation machine which also plays pre-recorded stereo tapes on the same compact unit. Stereo earphones for private listening are standard, and a small pair of high fidelity speakers are available as extras.

Most dictation machine users take their portable units with them on business trips and Words 'n Music is an ideal travelling companion for the executive. Thoughts, correspondence and conferences are recorded with one hand operation, audible cues for the secretary of item ends and special instructions.

When work is done, Words 'n

Music may be used as a stereo playback to shorten long boring journeys or unwind after a hectic day. The featherweight stereo headphones are provided for personal listening and compact speakers plug in for music in the office or to play tapes at home.

It uses standard C-60 cassettes, to give one hour's dictation capacity. Claimed frequency response for the machine is 50kHz to 12kHz, ± 3 dB.

The Words 'n Music unit comes complete with a stereo demonstration cassette, soft case, ni-cad battery pack a.c. adaptor/battery charger, instruction manual, two AA batteries for immediate use and lightweight stereo headset for £147 plus VAT.

IN THE SWIM

PLAYING both hunter and hunted, the central figure in Casio's CG50 pocket electronic game is a spearfisherman: out to catch as much as he can, while avoiding the perils of the giant shark.

This is a game you can play as much and as often as you like, with no fear of batteries giving up on you. Power comes from built-in solar cells, operating under any commonly available light.

The Casio CG50 Marine Hunter keeps score for you, provides accompanying sound-effects, and makes things more difficult as your skill improves. All for a recommended retail price of £11.95.



For details of nearest stockist write to:

*Casio Electronics Co. Ltd.,
Dept EE, Unit 6,
1000 North Circular Road,
London, NW2 7JD.*

MICROSWITCH

A N ultra miniature microswitch with actuator arm is now being marketed by Semiconductor Supplies International Ltd.

The switch is rated at 50V 300mA single pole changeover and measures only 10mm (inclusive of connecting pins and actuator arm compressed) high, 8mm wide and 3mm thick. The actuating lever is shaped for cam follower applications. Other uses include security switching and scale models.

The price per pack of 10 switches is £4, including post and packing. For more details write to:



*Semiconductor Supplies
International Ltd.,
Dept EE, Dawson House,
128/130 Carshalton Road,
Sutton, Surrey SM1 4RS.*

The optional stereo speakers are £30 plus VAT per pair. An optional stereo steel-fold headset is available at £15 plus VAT.

For addresses of local stockists contact:

*Dictaphone Co. Ltd., Dept EE,
Regent Square House,
The Parade,
Leamington Spa, Warks
CV32 4NL.*



CIRCUIT EXCHANGE

V.C.O. AND SOUND EFFECTS

THIS circuit should provide an insight into the interesting world of electronic music. TR1 acts as an amplifier for LS1 and gives a voltage drop to 0V across C2 when LS1 is touched. When this happens, TR2 conducts, charging C4. R6 and VR1

provide a d.c. short across C4 and allows it to discharge.

This means that an envelope with a fast attack and a variable decay is produced across C4 every time LS1 is touched. As LS1 is to be touched often, some sort of protection should be fitted to LS1.

TR3 senses the envelope voltage via R7. Without R7, the capacitor discharges too quickly and distorts the envelope. When the envelope is present, the voltage at the collector of TR3 varies with respect to the envelope, which means that TR3 acts as a buffer. D1 only allows the negative portion of the voltage to pass to TR4.

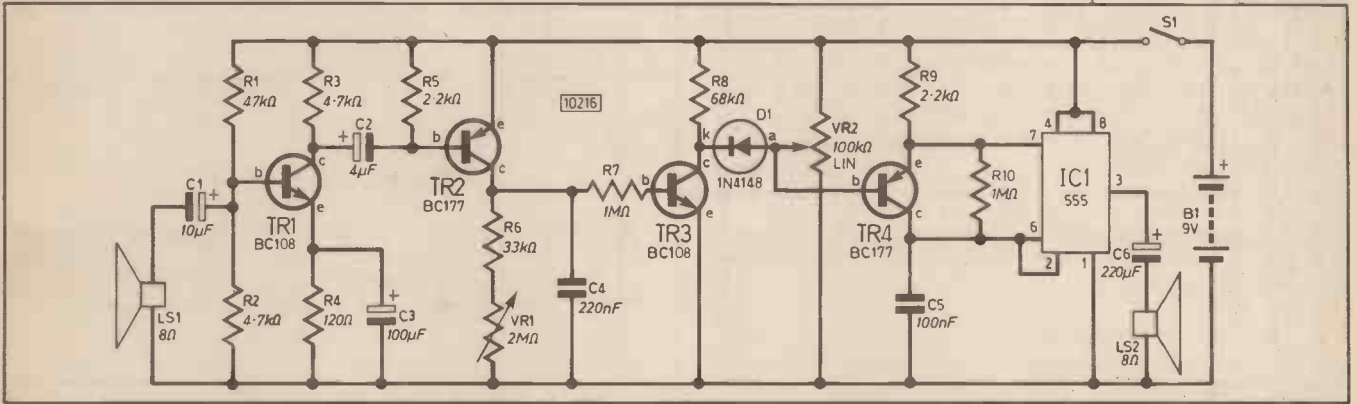
IC1 is a 555 in the astable mode. The frequency of this is determined by C5,

R10 and R9. When TR4 conducts, R10 is shorted out. When this happens the frequency of the wave at pin 3 increases. This means that the frequency is proportional to the voltage at the base of TR4. Hence the 555 acts as a simple v.c.o.

The frequency of the v.c.o. is set by VR2 which acts as a potential divider. When LS1 is touched, the voltage across D1 causes the frequency of the v.c.o. to vary with respect to the envelope.

"Phaser" sounds and others can be obtained by varying the setting of VR1. The whole circuit can be powered from one 9V battery. The simple alternative!

Mark Oxland,
Waterthorpe,
Sheffield.



EVERYDAY ELECTRONICS SOFTWARE SERVICE

The EE Software Service provides an easy and reliable means of program entry for our computer-based projects. All programs have been tested by us and consist of two good quality copies of the working program on cassette tape. Certain program listings are also available.

All prices include VAT, postage and packing. Remittances should be sent to Everyday Electronics Software Service, Editorial Offices, King's Reach Tower, Stamford Street, London SE1 9LS. Cheques should be crossed and made payable to IPC Magazines Ltd.

PROJECT TITLE	CASSETTE CODE	CASSETTE COST	LISTING CODE	LISTING COST
ZX81 SPEED COMPUTING SYSTEM (Feb 83)	T001	£2.95	L001	£2.95
REAL-TIME CLOCK (Apple II) (May 83)	T002	£2.95	L002	£2.95
REAL-TIME CLOCK (BBC Micro) (May 83)	T003	£2.95	L003	£2.95
EPROM PROGRAMMER (TRS-80 & GENIE) (June 83)*	T004	£3.95	N/A	—
STORAGE SCOPE INTERFACE (BBC Micro) (Aug 83)	T005	£2.95	—	—
ELECTRO-CARDIOGRAPH (BBC Micro) (Jan 84)	T006	£2.95	—	—
EPROM PROGRAMMER/ROM CARD (ZX81)** (Feb 84)	T007	£3.95	—	—

*Includes Command List with examples.
**Includes Keyboard Overlay.



CIRCUIT EXCHANGE

This is the spot where readers pass on to fellow enthusiasts useful and interesting circuits they have themselves devised. Payment is made for all circuits published in this feature. Contributions should be accompanied by a letter stating that the circuit idea offered is wholly or in significant part the original work of the sender and that it has not been offered for publication elsewhere.

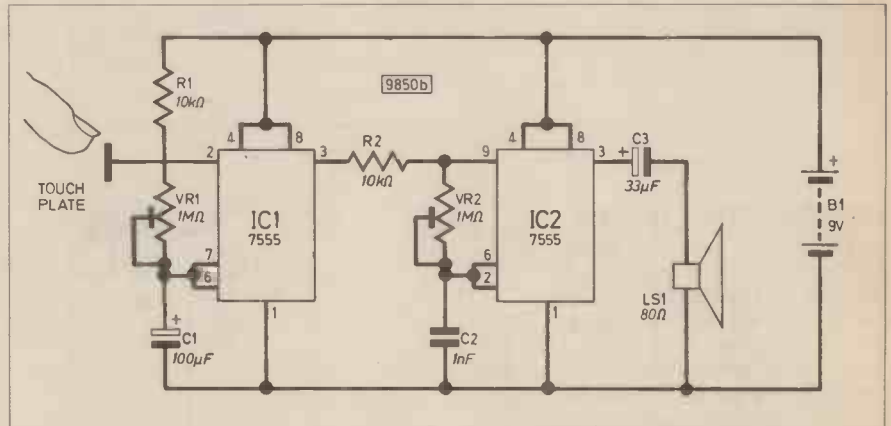
THIS circuit uses two 7555 CMOS timer i.c.s. The current consumption of these devices is negligible when the unit is kept idle, hence no on/off switch is required. A pair of the more common 555 i.c.s can also be used in place of the 7555s, but in that case there will be a sizeable idle current so that an on/off switch will become indispensable.

When once touched, the unit will oscillate for a fixed time, which can be set anywhere between 1 second and 100 seconds by setting VR1. The tone of the output is determined by VR2.

The touch plate can be any metallic object about the size of a coin, for example, the head of a drawing pin. Other possible uses of the unit would be as a bicycle alarm or door bell.

J. Sreekumar,
Kaloor, Cochin, India.

TOUCH BLEEPER



CAR BATTERY MONITOR

THIS circuit will help the motorist to see if his car battery is in need of being recharged by simply looking at a row of ten l.e.d.s, on the dashboard.

The circuit can be put in a box 100 × 50 × 35mm. To set up the circuit adjust VR2 until the voltage at its wiper is 1.9V and then adjust VR1 until the end green l.e.d. lights up (with a fully-charged battery).

The i.c. contains an input buffer, a potential divider chain, comparators and an accurate 1.2V reference source. Logic

is also included which gives the choice of bar or dot-mode operation—the latter is used in this application. The comparators cause the l.e.d.s to light at 0.12V intervals of the input voltage.

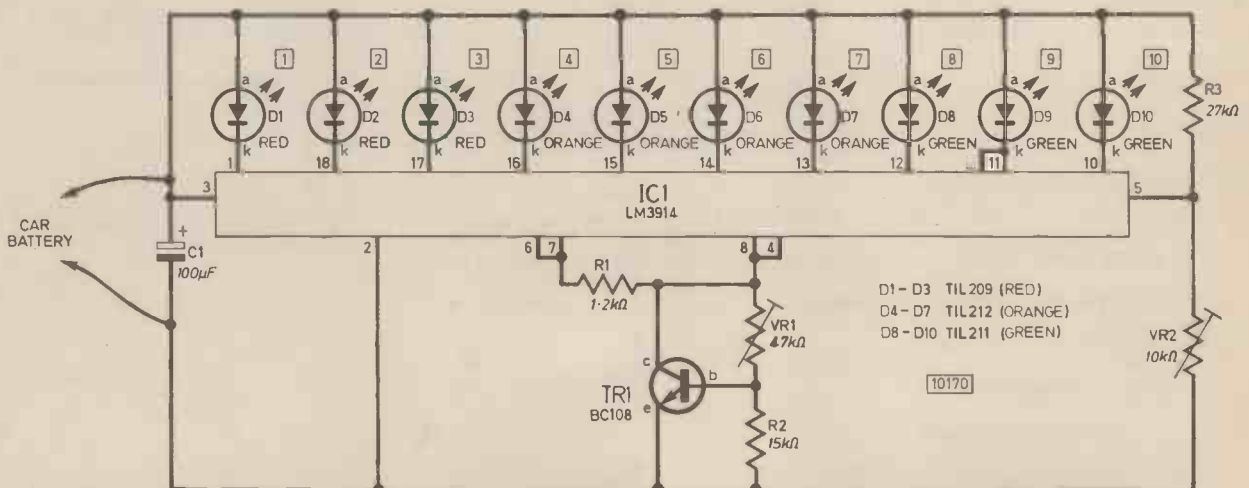
TR1 acts as an amplified diode and raises the lower end of the divider chain and the negative terminal of the reference source (pins 4 and 8 of IC1) to 1.9V. The upper end of the chain (pin 6) is connected to the reference source output (pin 7) and therefore is at about 3.1V.

The potential divider formed by R3 and VR2 attenuates the supply voltage and uses it as the signal input to the com-

parators such that a supply range of 9V to 14V covers the span of the divider chain and is indicated over the whole of the ten l.e.d. display.

The l.e.d. brightness is held constant by an internal constant current source. This unit has many other uses such as a Bench Voltmeter.

Jason Short,
Westcliff,
Essex.



SQUARE one FOR BEGINNERS

AN important part of any electronic project is the wiring of the components and in particular the type of connecting wires that are used.

CONNECTING WIRES

The type of wire that is used for the wiring of electronic chassis, front panels and circuit boards, can be divided into four categories: single-strand bare; single-strand insulated; multi-strand insulated; and plastics covered screened containing one or more insulated strands.

When describing equipment wire, two figures are normally quoted, the first being the number of conductors in the wire and the second being the diameter in millimetres of each conductor in that wire. So for example, a 1/0.6 wire has one conductor 0.6mm in diameter whereas a 7/0.2 wire has seven smaller conductors, each of 0.2mm diameter.

SCREENED CABLE

This type of cable is used where it is necessary to shield one or more insulated strands from possible radiation or interference sources. The protective shield takes the form of a woven wire mesh which surrounds the insulated strands to be screened.

LINK WIRES

Link wires are used on circuit boards where it is easy to connect one compo-

nent to another or to connect one section of copper strip to another located some distance away. Link wires are also used extensively to interwire the pins of integrated circuits.

For link wires used on circuit boards use a fairly stiff tinned copper wire. This is bare, single-stranded copper wire with, in most cases, a special fluxed coating for easy soldering which does not oxidise easily. The bending of link wires is best accomplished with a pair of long-nosed pliers. Single-stranded equipment wire must never be used in applications where the wire is likely to be continually flexed back and forth as this will eventually fracture the copper and the wire will break.

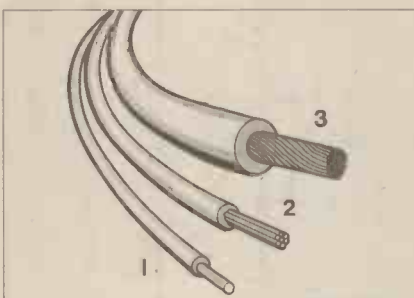


Fig. 1. Examples of equipment wire: (1) 1/0.6; (2) 7/0.2; (3) 55/0.1.

MULTI-STRANDED WIRE

In the cases where the wires in a piece of equipment do get subjected to a lot of flexing, as in a cableform or in front panel to circuit board wiring, a multi-stranded wire of the correct voltage and current rating must be used. In instances where the wire will frequently be moved about, as for example, with a test probe, a wire with a large number of very small diameter strands and an extremely pliable p.v.c. sheath is used, for example 55/0.1 wire.

SLEEVING

If there is any possibility of link wires contacting with other wires or components and forming a direct short circuit then insulating plastics sleeving should be

used. This is a thin tube of plastics material which can be cut to the required length and slipped over the wire to provide an electrical isolation from other components and wires.

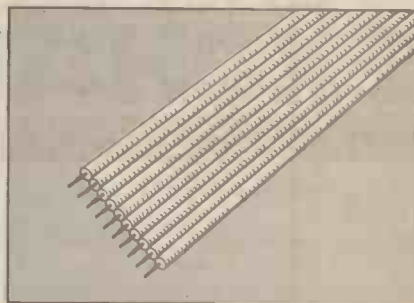


Fig. 2. 10-way ribbon cable.

RIBBON CABLE

A wire which is coming more and more into use for the projects enthusiast is the ribbon cable. This is formed by a number of different coloured plastic insulated wires bonded together to give a flat ribbon or tape appearance. Available in single-strand or multi-strand, this wire is ideal for micro-processor based projects and where a light emitting diode display matrix is used.

The cable usually comes in 10 or 20-way lengths to suit or can be split to any combinations of wires.

MAINS LEAD

Mains cable from equipment is always of the insulated multi-strand type and colour coded: brown for live (L) or positive; blue for neutral (N); green and yellow striped for earth (E). The live lead to the equipment, usually to a mains transformer, should always be fused via a panel mounted or chassis mounted fuse holder.

Never pass a mains lead through a bare lead-in hole in the side of the case, the results can be disastrous. Never, absolutely never, tie a knot in mains cable to act as strain relief against the inside of the lead-in hole.

The only correct way is to always fit a rubber grommet where the cable enters the case and use a cable/strain relief clamp.

TABLE 1. EQUIPMENT WIRE DATA

SIZE	MAX. RATING	DESCRIPTION	TYPICAL APPLICATIONS
1/0.25mm (0.05mm ²)	150V r.m.s., 0.4A @ 25°C	silver-plated copper, Kynar insulated, 0.5mm dia.	suitable for wire wrapping only
1/0.6mm (0.28mm ²)	1kV r.m.s., 1.8A @ 70°C	tinned copper, p.v.c. insulated, 1.2mm dia.	rigid wiring of electronic equipment (chassis, p.c.b.s)
10/0.1mm (0.08mm ²)	750V r.m.s., 0.5A @ 70°C	tinned copper, stranded, p.v.c. insulated, 1.05mm dia.	
7/0.2mm (0.22mm ²)	1kV r.m.s., 1.4A @ 70°C	tinned copper, stranded, p.v.c. insulated, 1.2mm dia.	wiring of electronic equipment where a degree of flexing of the wires is expected (front panels, external components)
16/0.2mm (0.5mm ²)	1kV r.m.s., 3.0A @ 70°C	tinned copper, stranded, p.v.c. insulated, 1.6mm dia.	
24/0.2mm (0.75mm ²)	1kV r.m.s., 4.5A @ 70°C	tinned copper, stranded, p.v.c. insulated, 2.0mm dia.	
32/0.2mm (1.0mm ²)	1kV r.m.s., 6.0A @ 70°C	tinned copper, stranded, p.v.c. insulated, 2.5mm dia.	very flexible for test leads and probes
55/0.1mm (0.43mm ²)	650V d.c. (500V a.c.), 2.5A @ 70°C	plain copper, stranded, pliable p.v.c. insulated, 2.8mm dia.	

Effective cross sectional areas of the conductors are given in parentheses in the first column.

COMPUTER AIDED EXPERIMENTS



BY A. A. CHANERLEY B.Sc. M.Sc.

5. $V-I$ CHARACTERISTIC OF A $P-N$ JUNCTION DIODE

THIS is a standard experiment for obtaining the characteristic of a $p-n$ junction, except that instead of using moving coil milliammeters and voltmeters, noting the readings and plotting the results on graph paper, the outputs are fed directly into the *Analogue-to-Digital Converter (ADC)* described in the September '83 issue of *EE*.

This converts the analogue data into an 8-bit digital word, which is read by the RML380Z microcomputer user port, and immediately plotted on the *VDU*, so that the plot is obtained as the experiment is being performed.

THE $P-N$ JUNCTION DIODE

Basically, a $p-n$ junction diode comprises a piece of silicon (or germanium) which is "doped" with impurities. For example, arsenic or phosphorus are two such impurities which can be used. These have five electrons orbiting in their outer shells, and when such an atom takes the place of one of the silicon atoms in the piece of silicon, it brings in an extra electron, because the silicon atom which it replaces has only four electrons in its outer shell.

Hence the portion of silicon doped in such a manner has free negative charge carriers (the extra electron) and hence the conductivity of such silicon increases. Silicon doped in such a manner is called n -type.

P -TYPE

Alternatively, if a material such as boron is used as dopant, which has only three orbiting outer electrons, it creates a "hole" because a gap occurs where an electron was before the silicon atom was replaced by the boron atom. This attracts an electron, which in turn leaves a "hole" in another part of the silicon structure, where it originally resided. Silicon doped in such a manner has an excess of holes and is called p -type, and as such has an increased conductivity due to the presence of holes.

It can be arranged that one piece of silicon can be doped such that part of it is p -type and part of it is n -type, and wherever the two regions meet is the " $p-n$ junction" which forms the basis of electronic circuits.

The diagram in Fig. 5.1(a) illustrates this situation. On formation of the $p-n$ junction, there is on each side of the junc-

tion a number of free electrons and a number of free holes, in the n -type and p -type respectively. Since the crystal structure is preserved across the junction, electrons from the n -type diffuse across and are trapped in the holes of the p -type silicon. Hence a layer of negative charge builds up on the p -side, and a layer of holes is left on the n -side where the electrons have left their sites.

These two layers of positive and negative charge eventually create a region of very high electric field and prevent any more electrons from diffusing across. The action is similar to the build up of positive and negative charge on either side of a capacitor. This region of strong electric field is called the depletion region, and as such acts as an insulator.

FORWARD AND REVERSE BIASING

When a potential difference (p.d.) is applied with the positive terminal connected to the n -type and the negative terminal connected to the p -type, the depletion layer becomes thicker, because the electrons in the n -type are attracted towards the positive terminal and leave holes behind, that is, more positive charge at the junction. Similarly, in the p -type, holes are attracted to the negative terminal and leave an excess of negative charge on that side of the junction.

The net effect is to create an even more powerful electric field and make thicker the depletion region and hence make it a better insulator. This is crucial to the rectifying action of the $p-n$ junction, since

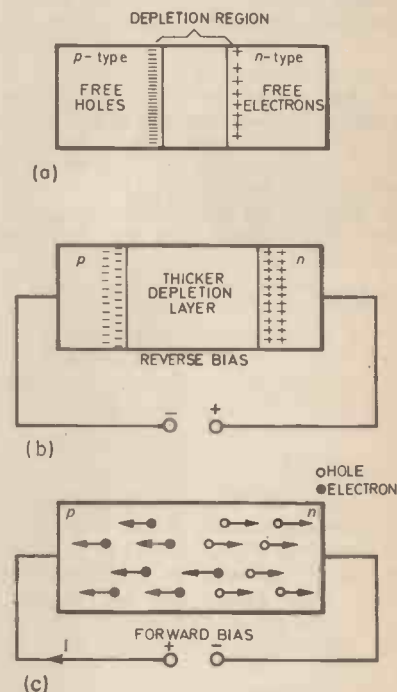


Fig. 5.1. (a) The formation of the depletion region at the junction of p -type and n -type doped silicon. (b) The widening of the depletion region when reverse biased. (c) Forward biased junction showing current flow.

with the polarity described, the junction will not conduct. This is illustrated in Fig. 5.1(b) and is called reverse bias.

When, however, the positive terminal is connected to the *p*-type material, the depletion layer becomes narrower as the voltage is increased from 0 to about 600mV. The current is therefore slow to rise as the applied voltage is increased up to this value because the depletion layer still exists. Once the voltage exceeds 600mV, it is noticed that the current increases considerably. This is because the negative terminal of the voltage source, now being connected to the *n*-side, repels the electrons with sufficient force to enable them to penetrate the depletion layer; similarly an attractive force urges holes from the positive layer of charge to move to the negative terminal.

The charges are therefore dispersed and very little resistance exists once the depletion has vanished. Current now flows freely through the silicon. With this polarity across the *p-n* junction, the junction is said to be forward biased, as shown in Fig. 5.1(c).

If then a plot is obtained of the diode current against the applied voltage, the *V-I* characteristic is obtained, both in the forward bias and the reverse bias modes, as shown in Fig. 5.2.

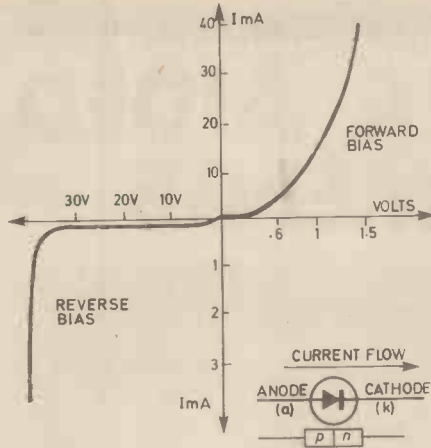


Fig. 5.2. The typical *V-I* characteristic of a silicon *p-n* junction diode. Note the small leakage current in the reverse biased quadrant until the reverse breakdown voltage is reached.

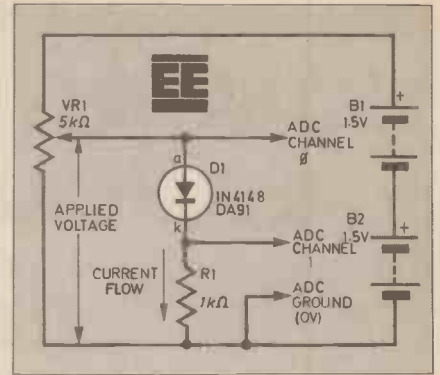


Fig. 5.3. The circuit diagram of the experimental set-up for obtaining the *V-I* characteristic of diode D1. The computer monitors the voltage and current via the ADC.

EXPERIMENT

The circuit diagram of the experiment is shown in Fig. 5.3. A 5-kilohm linear potentiometer (VR1) is used to vary the voltage across the *p-n* junction, and a 1-kilohm resistor is used to measure the current. Assuming the variation in resistance is negligible during operation, the current is then proportional to the p.d. across the resistor. Both the input p.d. and that across the 1kΩ resistor are monitored by two channels of the ADC, channel 0 and channel 1, their analogue values are converted into digital data bytes in rapid succession and read by the user port on the RML380Z microcomputer, and subsequently the software plots the *V-I* characteristic on the VDU.

Again, as for previous experiments in this series, multiple plots of characteristics can be obtained for the different types of *p-n* junction diodes available on the market. The complete experimental set up is shown in Fig. 5.4.

SOFTWARE

The program "Diode" initialises two of the channels, channel 0 and channel 1. The statement `POKE 64511,0` initialises channel 0, followed by `PEEK(64511)` which then reads the bit pattern, corresponding to a data byte, at the user port. This is then immediately followed by:

```
POKE 64511,1
Y=PEEK(64511)
```

statements which initialise and read channel 1. Bearing in mind that in this experiment, two varying quantities are necessary for a plot, one of the input

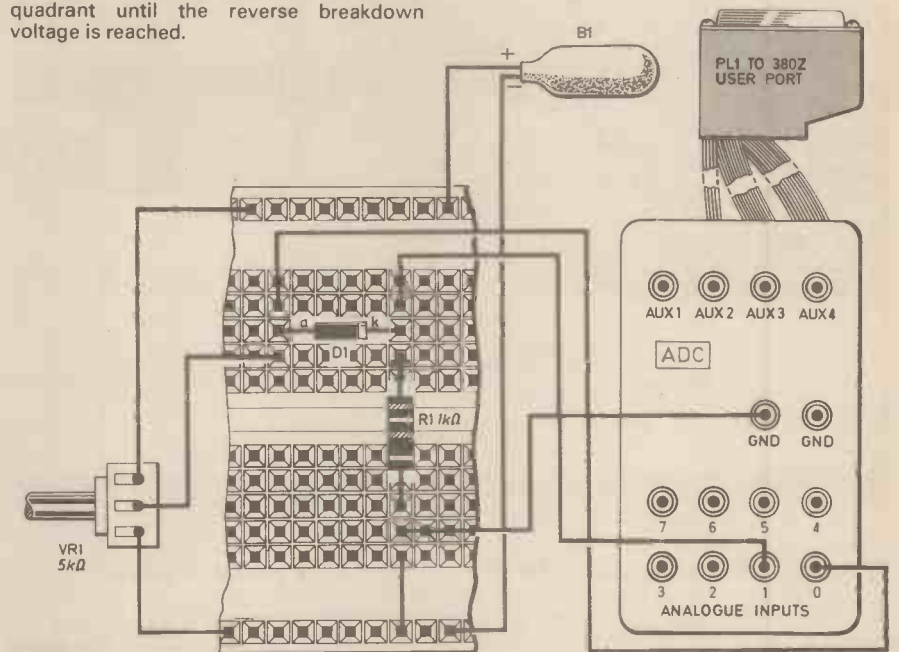


Fig. 5.4. The suggested solderless breadboard layout of the diode *V-I* characteristic experiment.

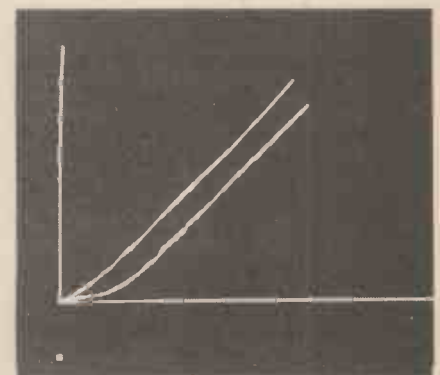
voltage and one of the output current through the *p-n* junction.

It should be pointed out that the POKE statements actually activate the pin numbers 5, 18 and 6 on the user port, which are connected to A_0 , A_1 and A_2 . These address the locations in the 8×8 RAM inside the 7581 chip, which contains the latest converted data bytes from each of the analogue inputs.

The statements:

```
POKE(&6000+A):REM
relocating milliamps
POKE(&6400+A):REM
relocating volts
```

relocate the raw data to other memory locations prior to storage as a disk file. `&6000` is hexadecimal for location 24576, and A is the total number of readings taken by the computer during the course of the experiment, which is



A photograph of the plot obtained for a 1N4148 silicon diode. Note that only the forward biased quadrant is displayed as the ADC is unipolar (will only work with one polarity).

COMPUTER AIDED EXPERIMENTS SOFTWARE: EXP. 5

DIODE

```
10 REM: this programme plots the I-V
20 REM: characteristic of a P-N junction
30 A=0
40 POKE 64511,8
50 GRAPH 1
60 CALL "RESOLUTION",0,2
70 GOSUB 230
80 CALL "PLOT",0,0,3
90 POKE 64511,0
100 X=PEEK(64511):REM VOLTAGE
110 POKE 64511,1
120 Y=PEEK(64511):REM mAmps
130 CALL "LINE",X*5,Y*5,3
140 PLOT 70,50,STR$(X)+" "
150 PLOT 60,50,STR$(Y)+" "
160 POKE (&6000+A),Y:REM STORING mAmps
170 POKE (&6400+A),X:REM STORING VOLTS
180 A=A+1:REM NO. OF READINGS TAKEN
190 PRINT A:REM FINAL READING PRINTED
200 FOR N=1 TO 1000:NEXT:REM TIME DELAY
210 GOTO 90
220 REM FOLLOWING PLOT & LABEL X-Y AXIS
230 FOR Y=0 TO 191:CALL "LINE",0,Y,3:NEXT
240 FOR X=0 TO 319:CALL "LINE",X,0,3:NEXT
250 PLOT 1,1,"0":PLOT 1,10,"2mA"
260 PLOT 1,20,"4mA":PLOT 1,30,"6mA"
270 PLOT 1,40,"8mA":PLOT 1,50,"10mA"
280 PLOT 20,58,"PLOT OF I-V CURVE"
290 PLOT 20,55,"FOR P-N JUNCTION IN4148"
300 PLOT 20,1,"0.5V":PLOT 40,1,"1.0V"
310 PLOT 60,1,"1.5V":RETURN
```

STORE

```
10 CREATE#10,"DIODE.DAT"
20 FOR I=24576 TO (24576+35)
30 BYTE=PEEK(I)
40 PRINT#10,I," ";BYTE
50 NEXT I
52 FOR V=25600 TO (25600+35)
54 BYTE=PEEK(V)
56 PRINT #10,V," ";BYTE
58 NEXT V
60 CLOSE#10
70 REM: this programme stores the data
80 REM: to disk-file
```

POKER

```
10 OPEN#10,"DIODE.DAT"
20 FOR I=24576 TO (24576+39)
30 INPUT#10,ADDR,BYTE
40 POKE ADDR,BYTE
50 NEXT I
52 FOR V=25600 TO (25600+39)
54 INPUT#10,ADDR,BYTE
56 POKE ADDR,BYTE
58 NEXT V
60 CLOSE#10
70 REM: this programme repokes the data
80 REM: into memory from disk-file
```

GRAPH

```
10 REM: this programme replots the repoked
20 REM: results from previous programme
30 REM: X-READS VOLTS, Y-READS mA
40 REM: mA IS CHANNEL 1
50 REM: VOLTS IS CHANNEL 0
60 GRAPH 1
70 CALL "RESOLUTION",0,2
80 CALL "PLOT",0,0,3
90 GOSUB 180
100 FOR N=1 TO 18
110 X=PEEK(&6400+N)
120 Y=PEEK(&6000+N)
130 CALL "LINE",X*2,Y*2,3
140 NEXT N
150 CALL "LINE",PEEK(&6400+(N)),PEEK(&6000+(N)),0
160 CALL "LINE",0,0
170 END
180 FOR Y=0 TO 191:CALL "LINE",0,Y,3
190 NEXT Y
200 FOR X=0 TO 319:CALL "LINE",X,0,3
210 NEXT X
220 PLOT 1,1,"0":PLOT 1,10,"2mA"
230 PLOT 1,20,"4mA":PLOT 1,30,"6mA"
240 PLOT 1,40,"8mA":PLOT 1,50,"10mA"
250 PLOT 20,58,"Plot of I-V curve"
260 PLOT 20,55,"for p-n junction, IN4148"
270 PLOT 20,1,"0.5V":PLOT 40,1,"1.0V"
280 PLOT 60,1,"1.5V":RETURN
```

© Everyday
Electronics 1984

printed on the VDU as the experiment is performed.

Locations beginning at &6000 hex (24576) relocate the milliamps, locations beginning &6400 hex (25600) relocate the volts. This is necessary in order to retrieve these data bytes when opening a data file on disk, when using the "Store" program.

The "Store" program opens a data file in the first program line by using the CREATE#10, command, followed by a FOR . . . NEXT loop from the beginning of the aforementioned memory locations from 24576 to (24576+35), where 35 is the number of readings originally taken in this example experiment.

The PRINT#10,I," ";BYTE statement now reads the memory locations specified by the variables in the FOR . . . NEXT loop, that is, from 24576 to (24576+35), and prints the location and the data byte contained therein to disk file.

The same format is used for locations 25600 to (25600+35). When using this program, a file name must be created in line 10, each time a new set of data is to be stored to disk, and the variable A, for number of readings must be changed in the FOR . . . NEXT loops to accommodate the number of readings taken.

Having followed these procedures, the computer can be turned off in the knowledge that all experimental data is stored as a disk file.

The next program called "Poker" reopens the created data file, using the OPEN#10, command. It then reads the data file in the same format as it was printed, that is, address (ADDR), data (BYTE), using the INPUT#10, command and POKE ADDR, BYTE re-POKE's the same data back into the same memory addresses. Hence all data is retrieved.

Finally the remaining program "Graph" simply reads these same

memory locations and replots the same data on the VDU. This procedure, with slight modifications, is repeated for all experiments, so that a comprehensive set of data files is created with all results of experiments.

Theory shows that the relation between the junction voltage and current is as follows:

$$I = I_0(e^{11600/VT} - 1)$$

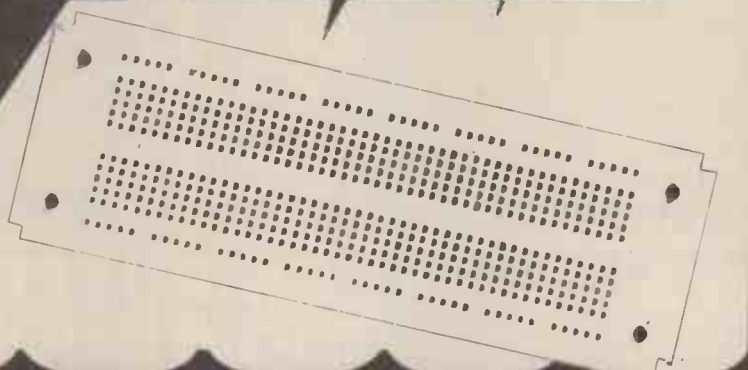
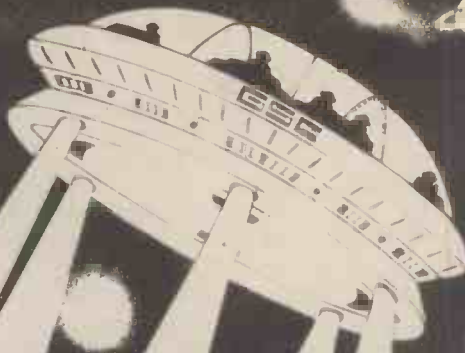
where I = forward current
 I_0 = reverse saturation current
 V = junction voltage
 T = absolute temperature

Since the ADC is unipolar, only the forward biased portion shows on the VDU. This is obtained by twirling the 5kΩ potentiometer and as this is being done so the $V-I$ curve is plotted by the RML380Z. The software comprises a suite of four programs, Diode, Store, Poker and Graph. Virtually the same programs are used throughout the remainder of the experiments.

To be continued

NEW & FREE

FROM G.S.C.



NEW AND FREE FROM G.S.C.

NEW an exciting range of projects to build on the EXP300 breadboards. NOW anybody can build electronic projects using "Electronics-by-numbers", its as "Easy as A, B, C with G.S.C!"

FREE project
MUSICAL DOORBELL OF THE 3RD KIND
 You've seen the film, now haunt your visitors with the tune!
 Each time the doorbell is pushed the eerie tune plays out, then switches off to conserve battery power.

HOW DO YOU MAKE IT.
 Our FREE project gives you clear "step-by-step" instructions. For example "take Resistor No.1 and plug it into hole numbers B45 and B47".
 "Take IC No.1 and plug it into hole numbers E35 to E42 and F35 to F42, (pin 1 on the IC goes into F35)"
 "Take. . ." Well! why not "clip-the-coupon" and get your FREE step-by-step instruction sheet and your FREE 12 projects with each EXP300 bought and your FREE catalogue and.

EXPERIMENTOR BREADBOARDS

The largest range of breadboards from G.S.C. Each hole is identified by a letter/number system. EACH NICKEL SILVER CONTACT CARRIES A LIFE TIME GUARANTEE.

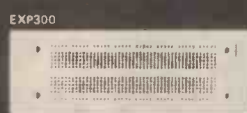
All modular construction means that any Experimentor breadboard can be 'snap-locked' together to build breadboards of any size.



EXP325
 The 'one-chip' breadboard
 Takes 8, 14, 16 and up to 22 pin IC's
 Has 130 contact points including 2 bus bars.



EXP350
 The 'beginners breadboard'
 For limited period
 you can have FREE
 12 'Electronics by Numbers' PROJECTS



The most 'widely-bought' breadboard
 Don't miss out on our 'NEW AND FREE' projects
 They can be built on the EXP300

- EXP600**
The Hobbyist microprocessor board
- EXP650**
The 'one-chip microprocessor' board
- EXP48**
'Snaps-on' four extra bus bars
- PB6**
The ultimate breadboard kit
- PB100**
The most kit for the least money

NEW AND FREE FROM G.S.C. 24 HOUR SERVICE.

Tel (0799) 21682 with your Access, American Express, Barclaycard number and your order will be put in the post immediately.

TO ORDER JUST CLIP THE COUPON.

Experimentor Breadboards	Unit Price inc P & P + 15% VAT	Quantity Required
Exp 325	£ 3.45	
Exp 350	£ 5.23	
Exp 300	£ 8.63	
Exp 600	£10.29	
Exp 650	£ 6.33	
Exp 48	£ 4.03	
PB 6	£14.95	
PB 100	£20.07	

NAME _____

ADDRESS _____

I enclose cheque/PO for £ _____

Debit my credit card for _____

Expiry date _____

Please send free catalogue Tick Dept 9P

GLOBAL SPECIALTIES CORPORATION
G.S.C.
 GSC Unit 1, Shire Hill Ind. Estate
 Saffron Walden, Essex, CB11 3AQ.
 Telephone (0799) 21682, Telex 817477
 Dept 4P

Multicore makes solder

The Five Core Advantage

Only Multicore wire solders have a 5-core, or 4-core flux construction. The 5-cores identify non corrosive fluxes; the 4-core, water soluble fluxes.

If you were to slice through a section of Multicore cored solder you would see separate round cores of flux symmetrically arranged around its perimeter. Only a thin wall of solder separates the flux cores from the surface.

What are the advantages of the Multicore construction?

1. Because the flux is peripherally arranged it will react and flow faster.
2. Flux voids are eliminated with Multicore. That's why you can depend on continuity of the flux stream for complete wetting... every time.
3. Because wetting is faster, complete and uniform, you use less solder and transmit less heat to the joint area. With Multicore Solders, you get the highest purity metals, vigorous fluxing action and a wire solder that meets all applicable International standards.



Ersin Multicore

Contains 5 cores of non-corrosive flux.
Uses: For all electrical joints.
Handy Pack: Size 19A 60/40 tin/lead 1.22mm dia
£1.50 RRP
Tool Box Reel: Size 3 60/40 tin/lead 1.6mm dia
£4.37



Ersin Multicore

Contains 5 cores of non-corrosive flux.
Uses: Small transistors, components and fine wire.
Handy Pack: Size PC115 60/40 tin/lead 0.7mm dia
£1.61 RRP
Tool Box Reel: Size 10 60/40 tin/lead 0.7mm dia **£4.37**



Multicore Savbit

Increases the life of your soldering bit by 10 times.
Uses: For all electrical work. Reduces copper erosion.
Handy Pack: Size 5 1.2mm dia
£1.38 RRP
Tool Box Reel: Size 12 1.2mm dia **£4.37**



XK113 MW RADIO KIT
Based on ZN414 IC, kit includes PCB, wound aerial and crystal earpiece and all components to make a sensitive miniature radio. Size: 5.5 x 2.7 x 2cms. Requires PP3 9V battery. IDEAL FOR BEGINNERS. **£5.50**

HOME LIGHTING KITS
These kits contain all necessary components and full instructions & are designed to replace a standard wall switch and control up to 300w. of lighting.

TDR300K Remote Control Dimmer **£14.95**
MK6 Transmitter for above **£4.50**

TD300K Touchdimmer **£7.75**

TS300K Touchswitch **£7.75**
TDE/K Extension kit for 2-way switching for TD300K **£2.50**

LD300K Rotary Controlled Dimmer **£3.95**



DVM/ULTRA SENSITIVE THERMOMETER KIT

This new design is based on the ICL7126 (a lower power version of the ICL7106 chip) and a 3 1/2 digit liquid crystal display. This kit will form the basis of a digital multimeter (only a few additional resistors and switches are required—details supplied), or a sensitive digital thermometer (-50°C to +150°C) reading to 0.1°C. The basic kit has a sensitivity of 200mV for a full scale reading, automatic polarity indication and an ultra low power requirement—giving a 2 year typical battery life from a standard 9V PP3 when used 8 hours a day, 7 days a week.

Price **£15.50**

NOW OPEN COMPUTER SHOWROOM

Hours: Mon - Fri 9am - 5pm
SAT 10am - 4pm

COMMODORE 64
ORIC-1

DRAGON 32
SPECTRUM

BBC MODEL B

We also stock peripherals and accessories - disc drives, printers, joy sticks etc. together with a wide range of books and the latest software for all the above computers including ZX81.

SEND S.A.E. FOR LIST TODAY!

COMPONENT PACKS

- PACK 1 650 Resistors 47 ohm to 10 Mohm - 10 per value **£4.00**
- PACK 2 40 x 16V Electrolytic Capacitors 10uF to 1000uF - 5 per value **£3.25**
- PACK 3 60 Polyester Capacitors 0.01 to 1uF/250V - 5 per value **£5.55**
- PACK 4 45 Sub-miniature Presets 100 ohm to 1 Mohm - 5 per value **£2.90**
- PACK 5 30 Low Profile IC Sockets 8, 14 and 16 pin - 10 of each **£2.40**
- PACK 6 25 Red LEDs (5mm dia.) **£1.50**

3-NOTE DOOR CHIME

Based on the SAB0600 IC the kit is supplied with all components, including loudspeaker, printed circuit board, a pre-drilled box (95 x 71 x 35mm) and full instructions. Requires only a PP3 9V battery and push-switch to complete. AN IDEAL PROJECT FOR BEGINNERS. Order as XK 102.

£5.50

LCD 3 1/2 DIGIT MULTIMETER

16 ranges including DC voltage (200 mv-1000 v) and AC voltage, DC current (200 mA-10 A) and resistance (0-2 M) + NPN & PNP transistor gain and diode check. Input impedance 10M. Size 155x88x31 mm. Requires PP3 9v battery. Test leads included **ONLY £29.00**

ELECTRONIC LOCK KIT XK101

This KIT contains a purpose designed lock IC, 10-way keyboard, PCBs and all components to construct a Digital Lock, requiring a 4-key sequence to open and providing over 5000 different combinations. The open sequence may be easily changed by means of a pre-wired plug. Size: 7 x 6 x 3 cms. Supply: 5V to 15V d.c. at 40uA. Output: 750mA max. Hundreds of uses for doors and garages, car anti-theft device, electronic equipment, etc. Will drive most relays direct. Full instructions supplied.

ONLY £11.50

Electric lock mechanisms for use with latch locks and above kit **£14.95**

DISCO LIGHTING KITS

DL 1000K
This value-for-money kit features a bi-directional sequence, speed of sequence and frequency of direction change, being variable by means of potentiometers and incorporates a master dimming control.

£15.95

DL2100K
A lower cost version of the above, featuring unidirectional-channel sequence with speed variable by means of a pre-set pot. Outputs switched only at mains zero crossing points to reduce radio interference to a minimum.

£8.95

Optional opto Input DLA1 Allowing audio ("beat") -light response. **60p**

DL3000K
This 3 channel sound to light kit features zero voltage switching, automatic level control & built in mic. No connections to speaker or amp required. No knobs to adjust - simply connect to mains supply & lamps. (1Kw/Channel) **£12.95**

FREE YELLOW CATALOGUE yet?

NO? Send S.A.E. 8" x 9" TODAY!!
It's packed with details of all our KITS plus large range of SEMICONDUCTORS including CMOS, LS TTL, linear, microprocessors and memories; full range of LEDs, capacitors, resistors, hardware, relays, switches etc. We also stock VERO and Anies products as well as books from Texas Instruments, Bobani and Elektor.

ALL AT VERY COMPETITIVE PRICES.
ORDERING IS EVEN EASIER - JUST RING THE NUMBER YOU CAN'T FORGET FOR PRICES YOU CAN'T RESIST.

5-67 8-9-10

and give us your Access or Barclaycard No. or write enclosing cheque or postal order. Official orders accepted from schools, etc.

Answering service evngs & wnds

Add 65p postage & packing + 15% VAT to total Overseas Customers: Add £2.50 (Europe), £6.00 (elsewhere) for p&p Send S.A.E. for further STOCK DETAILS Goods by return subject to availability.

OPEN

9am to 5pm (Mon to Fri) 10am to 4pm (Sat)

ALL PRICES EXCLUDE VAT

TEACH-IN 84

Complete kit of top quality components as specified by EE including two EBBO starter packs.

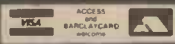
£15.80

FAST SERVICE · TOP QUALITY · LOW LOW PRICES

No circuit is complete without a call to -

TK ELECTRONICS
11-13 Boston Road
London W7 3SJ

TEL: 01-567 8910 ORDERS
01-579 9794 ENQUIRIES
01-579 2842 TECHNICAL AFTER 3PM

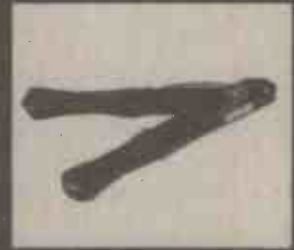


g easy, fast and reliable

Multicore Solder Cream
Mixture of powdered 60/40 (tin/lead metal alloy and rosin flux).
Uses: Micro electronics and printed circuits.
Handy Tube: **Size BCR 10**
£1.73



Bib Wire Strippers and Cutters
With precision ground and hardened steel jaws. Adjustable to most wire sizes. With handle locking-catch and easy-grip plastic covered handles.
Wire Strippers: **Size 9**
£2.88



Multicore Alu-Sol
Contains 4 cores of flux. Uses: Suitable for aluminium and aluminium alloys. (non-electrical).
Handy Dispenser: **Size HP27**
1.6mm dia **£0.99 RRP**
Tool Box Reel: **Size 4**
1.6mm dia **£7.82**



Multicore Solder Wick
Absorbs solder instantly from tags and printed circuits with the use of a 40 to 50 watt soldering iron. Quick and easy to use, desolders in seconds.
Handy Pack: **Size AB10**
£1.43

Multicore All Purpose Handyman Solder Pak
Contains three types of solder for electrical, metal and aluminium repairs, all in handy easy to use dispensers.
Handy Pak: **Size 8**
£2.99



All prices include VAT

Bib Audio/Video Products Limited,
(Solder Division),
Kelsey House, Wood Land End,
Hemel Hempstead, Hertfordshire, HP2 4RQ
Telephone: (0442) 61291 Telex: 82363



If you have difficulty in obtaining any of these products send direct adding 50p for postage and packing. For free colour brochure and Hints on soldering booklet send S.A.E.

GET READY FOR THE SPRING EDITION



Book now by sending **80p**

or watch your newsagent's shelf around the end of January 1984

Order as Stock No.

02-0009

ambit INTERNATIONAL

200 North Service Road, Brentwood, Essex CM14 4SG



We must apologise to our readers for missing out with our Winter edition — but we've been preparing something a little special to tempt you out of your Winter hibernation and back to the soldering iron.....

PRICE ON THE PAGE as usual, **3 x £1 discount vouchers** as usual, and the components you need for

- ★ COMMUNICATIONS
- ★ ELECTRONICS
- ★ COMPUTING
- ★ AUDIO

CAMBRIDGE LEARNING

SELF-INSTRUCTION COURSES



GSC SUPERKIT £19.90

Learn the wonders of digital electronics!

This practical kit for beginners comes complete with an instruction manual, components, and

EXP300 breadboard to teach you all the basics of digital electronics. The course needs no soldering iron; the only extra you need to buy is a 4½V battery.

Using the same board you can construct literally millions of different circuits.

The course teaches boolean logic, gating, R-S and J-K flipflops, shift registers, ripple counters, and half-adders.

It is supported by our theory courses

DIGITAL COMPUTER LOGIC £7.00

which covers: basic computer logic; logical circuit elements; the design of circuits to carry out logical functions; flipflops and registers; and

DIGITAL COMPUTER DESIGN £9.50

Our latest, most up-to-date course on the design of digital computers, both from their individual logic elements and from integrated circuits. You are first shown the way in which simple logic circuits operate and then, through a series of exercises, arrive at a design for a working machine.

Other courses available include:

MICROPROCESSORS & MICROELECTRONICS @ £6.50
COMPUTER PROGRAMMING IN BASIC @ £11.50

GUARANTEE No risk to you. If you are not completely satisfied, your money will be refunded upon return of the item in good condition within 28 days of receipt.

CAMBRIDGE LEARNING LIMITED, UNIT 35, RIVERMILL SITE,
FREEPOST, ST IVES, CAMBS, PE17 4BR, ENGLAND.
TELEPHONE: ST IVES (0480) 67446. VAT No 313026022

All prices include worldwide postage (airmail is extra - please ask for prepayment invoice). Giro A/c No 2789159. Please allow 28 days for delivery in UK.

.....SUPERKIT(S) @ £19.90
.....DIGITAL COMPUTER DESIGN(S) @ £9.50
.....DIGITAL COMPUTER LOGIC @ £7.00

I enclose a *cheque/PO payable to Cambridge Learning Ltd for £..... (*delete where applicable)

Please charge my:

*Access / American Express / Barclaycard / Diners Club
Eurocard / Visa / Mastercard / Trustcard

Expiry Date..... Credit Card No

Signature.....

Telephone orders from card holders accepted on 0480 67446
Overseas customers (including Eire) should send a bank draft in sterling drawn on a London bank, or quote credit card number.

Name.....

Address.....

.....

Cambridge Learning Limited, Unit 35, Rivermill Site, FREEPOST, St Ives, Huntingdon, Cambs, PE17 4BR, England. (Registered in England No 1328762).

SOLDERING/TOOLS

ANTEX X5 SOLDERING IRON 25W £6.29
SOLDERING IRON STAND £2.18
SPARE BITS. Small, standard, large, each. For X5+X25 £1.04
SOLDER, Handy size £1.38
SOLDER CARTON £2.50
DESOLDER BRAID 69p
HEAT SINK TWEEZERS 35p
DESOLDER PUMP £6.48
HOW TO SOLDER LEAFLET 13p
LOW COST CUTTERS £1.69
LOW COST LONG NOSE PLIERS £1.68
WIRE STRIPPERS & CUTTERS £2.88

PRECISION PETITE £12.80
12V PCB DRILL £8.78
VERO SPOT FACE CUTTER £1.76
PIN INSERTION TOOL £2.52
VEROPINS (pk of 100) 0.1" 65p
MULTIMETER TYPE 1 (1,000 opv) £5.85
CROCODILE CLIP TEST LEAD SET. 10 leads with 20 clips £1.15
RESISTOR COLOUR CODE CALCULATOR 23p
CONNECTING WIRE PACK TYPE ED. 11 colours 40p

ILLUMINATED MAGNIFIERS
Small 2" dia. (5 x mag) £1.32
Large 3" dia. (4 x mag) £2.52
CORE TRIM TOOL 35p
PRESSET TRIM TOOL 60p
FREEZER AEROSOL £1.59
CONTACT CLEANER AEROSOL £1.45
ELECOLIT CONDUCTIVE PAINT £4.99
PVC TAPE (RGB) 3 reels £3.9p
SCREWDRIVER SET £1.98
POCKET TOOL SET £3.98
DENTISTS INSPECTION MIRROR £2.85
JEWELLERS EYEGLASS £1.50
PLASTIC TWEEZERS 69p

Speakers Min 8 ohm 87p; 64 ohm 89p; 80 ohm 90p
Crystal earpiece 57p
Magnetic earpiece 18p
Stethoscope attachment 69p
Mono headphones £3.36
Stereo headphones £5.49
Telephone pickup coil 68p
Mini buzzer 6V 75p. 12V 72p. £6.20
Euro breadboard £3.98
S Dec breadboard £6.98
Blmboard breadboard £3.98
Verobloc breadboard £5.88



MULTIMETER TYPE 2. (YN360TR) 20K o.p.v. with transistor tester. £14.99
AC + DC volts. DC current. 4 very useful resistance ranges. We've used it and we like it.



HELPING HANDS JIG £6.65
Heavy base. Six ball and socket joints allow infinite variation of clips through 360°. Has 21" diameter (2.5 magnifier attached); used and recommended by our staff.

PAIR OF PROBES WITH LEADS (cc). 77p
Q MAX PUNCHES
3/8" £2.98; 1/2" £3.06; 5/8" £3.17; 3/4 3.24.

PCB etching kit £6.48
2X81 edge connector £2.25
Ferrite rod 5 inch 59p
PP3 clips 10p, PP9 clips 11p.
2 Station intercomm. £10.53
IC Sockets 8 pin 16p; 14 pin 17p; 16 pin 18p.
Traditional Style Bell £1.95
Public Address Mic 50K £4.95
Mic Insert Crystal 45p
Cassette Mic £1.29p
Pillow Speaker £1.40
Horn Speaker 51" 8 ohm £6.98

MAGENTA ELECTRONICS LTD

PRACTICAL WOODWORKING EXHIBITION

Where craftsmanship comes to life

Wembley Conference Centre, February 16-19, 1984
February 16-18, 10am-7pm, February 19 (Sunday), 10am-6pm

Admission prices:

Adults £2.50
Children under 16 and Senior Citizens £1.50

Party rates:

(Groups of 20 or more *plus 1 free ticket for teacher or organiser)
Adults £1.50 Children £1.00

SPONSORED BY

PRACTICAL WOODWORKING MAGAZINE
SEE FEBRUARY ISSUE FOR 50p REDUCTION VOUCHER.

Further details from:

Practical Woodworking Tickets, Reed Exhibitions,
Surrey House, 1 Throwley Way, Sutton, Surrey, SM1 4QQ.

E.E. PROJECT KITS TEACH IN 84

Full Kits inc. PCBs, or veroboard, hard-wire, electronics, cases (unless stated), less batteries.
If you do not have the issue of E.E. which includes the project - you will need to order the instruction reprint as an extra - 50p each. Reprints available separately 50p each + p&p 50p.

CAMERA OR FLASH GUN TRIGGER Mar. 82 £13.65 less tripod bushes
POCKET TIMER Mar. 82 £4.10
GUITAR TUNER Mar. 82 £17.19
SIMPLE STABILISED POWER SUPPLY Jan. 82 £26.95
MINI EGG TIMER, Jan. 82, £4.40
SIREN MODULE Jan. 82 less speaker £6.10
MODEL TRAIN CHUFFER Jan. 82 £8.98
SIMPLE INFRA RED REMOTE CONTROL Nov. 81 £18.70
EXPERIMENTER CRYSTAL SET Nov. 81, 255 aerial £6.60
Headphones £3.36 extra
CAPACITANCE METER Oct. 81 £25.81
SUSTAIN UNIT Oct. 81 £17.99
"POPULAR DESIGNS" Oct. 81 £60.00
TAPE NOISE LIMITER £4.98
HEADS AND TAILS GAME £2.75
CONTINUITY TESTER £4.48
PHOTO FLASH SLAVE £3.80
FUZZ BOX £7.98
SOIL MOISTURE UNIT £6.39
ICE ALARM £8.70
0-12V POWER SUPPLY Sept. 81 £19.48
CMOS CAR SECURITY ALARM Sept. 81 £9.95
CMOS DIE Sept. 81 £8.80
CMOS METRONOME Aug. 81 £8.99
COMBINATION LOCK July 81 less case £21.58
LIGHTS REMINDER AND IGNITION LOCATOR E.E. May 81 £6.25
SOIL MOISTURE INDICATOR E.E. May 81 £4.49
GUITAR HEADPHONE AMP E.E. May 81 £4.66
PHONE BELL REPEATER/BABY ALARM May 81 £6.15
INTERCOM April 81 £24.43
SIMPLE TRANSISTOR & DIODE TESTERS Mar. 81 Ohmmer version £2.22
LED version £2.98
LED DICE Mar. 81 £9.35
MODULATED TONE DOORBELL Mar. 81 £7.35
2 NOTE DOOR CHIME Dec. 80 £11.35
LIVE WIRE GAME Dec. 80 £12.87
GUITAR PRACTICE AMPLIFIER Nov. 80 £14.10 less case, Standard case extra £3.88
SOUND TO LIGHT Nov. 80 3 channel £23.40
TRANSISTOR TESTER Nov. 80 £12.80
AUDIO EFFECTS UNIT FOR WEIRD SOUNDS Oct. 80 £14.40
IRON HEAT CONTROL Oct. 80 £6.30
TTL LOGIC PROBE Sept. 80 £5.68
ZENER DIODE TESTER Jun. 80 £7.30
LIGHTS WARNING SYSTEM May 80 £5.20
BATTERY VOLTAGE MONITOR May 80 £5.66
CABLE & PIPE LOCATOR less coil former Mar. 80 £4.61
KITCHEN TIMER Mar. 80 £16.20
MICRO MUSIC BOX Feb. 80 £17.86
Case extra £3.60
SLIDE/TAPE SYNCHRONISER Feb. 80 £13.50
HORSE PRACTICE OSCILLATOR Feb. 80 £4.98
SPRING LINE REVERB UNIT Jan. 80 £27.20
UNIBOARD BURGLAR ALARM Dec. 79 £6.70
DARKROOM TIMER July 79 £3.20
ELECTRONIC CANARY Jun. 79 £6.40
TRANSISTOR TESTER Apr. 79 £5.38
MICRO CHIME DOORBELL Feb. 79 £17.48
FUSE CHECKER Sept. 78 £2.54
SOUND TO LIGHT Sept. 78 £9.20
CAR BATTERY STATE INDICATOR less case Sept. 78 £2.29
R.F. SIGNAL GENERATOR Sept. 78 £31.20
IN SITU TRANSISTOR TESTER Jun. 78 £7.50
FLASHMETER less calc & diffuser May 78 £16.50
WEIRD SOUND EFFECTS GENERATOR Mar. 78 £6.20
AUDIO VISUAL METRONOME Jan. 78 £6.58
ELECTRONIC TOUCH SWITCH Jan. 78 £2.99
RAPHID DIODE CHECK Jan. 78 £3.15
PHONE/DOORBELL REPEATER July 77 £8.20
ELECTRONIC DICE Mar. 77 £6.24

★ **NEW SERIES - ALL COMPONENTS IN STOCK NOW FOR** ★
★ **FAST DELIVERY.** All top quality components as specified by ★
★ **Everyday Electronics.** Our kit comes complete with **FREE** ★
★ **COMPONENT IDENTIFICATION SHEET.** Follow this edu- ★
★ **cational series and learn about electronics - Start today.** ★
★ **MAGENTA'S TEACH IN KIT INCLUDES ALL OF THESE TOP** ★
★ **QUALITY ITEMS:** resistors, pot, capacitors, semiconductors, ★
★ **varicap diode, leds, ferrite rod, sockets, crystal earpiece, termi-** ★
★ **nal blocks, wire and of course 2 breadboards. PLUS A FREE** ★
★ **COPY OF OUR CATALOGUE & PRICE LIST. AVAILABLE NOW** ★
★ **- TEACH IN 84 KIT. £18.98 inc VAT. P + P 50p.** Send now for ★
★ **fast delivery.** Reprints of previously published parts 50p each. ★
★ **Official school/college orders welcome.** ★

BOOKS: ELECTRONICS & COMPUTING

CONTINUITY TESTER DECK 83 £9.99
CHILDREN'S DISCO LIGHTS DECK 83 £8.42
NOVEL EGG TIMER DECK 83 inc case £10.24
SPEECH SYNTHESIZER FOR THE BBC MICRO Nov. 83 less cable + sockets £21.98
MULTIMOD Nov. 83 £16.98
LONG RANGE CAMERA/FLASHGUN TRIGGER Nov. 83 £13.50
HOME INTERCOM less link wire Oct. 83 £14.98
IMMERSION HEATER TELL-TALE Oct. 83 £39.98
TEMPERATURE TRANSDUCER AMP Oct. 83 £24.87
SHORT WAVE RADIO less 'phones, Oct. 83 £25.63
Mono headphones extra £3.36
ELECTRONIC PENDULUM Oct. 83 £17.98
less wire & hardware for electromagnet
DIGITAL TO ANALOGUE BOARD Oct. 83 £19.98
less cable, case & connector
HIGH POWER DAC DRIVER BOARD Oct. 83 less case £12.52
A TO D CONVERTER FOR RM380Z Sept. 83 inc plug £35.98
HIGH SPEED A TO D CONVERTER Sept. 83 less cable & connector £27.98
SIGNAL CONDITIONING AMP Sept. 83 no case £8.98
STORAGE 'SCOPE INTERFACE FOR BBC MICRO Aug 83 less software £15.38
PEDESTRIAN CROSSING SIMULATION BOARD Aug 83 no case £10.23
HIGH POWER INTERFACE BOARD Aug 83 no case £10.38
CAR INTRUDER ALARM Aug 83 £16.98
TRI BOOST GUITAR TONE CONTROLLER July 83 £8.35
USER PORT I/O BOARD less cable + plug £10.49
USER PORT CONTROL BOARD July 83 less cable + plug £25.14
BINARY BANDIT GAME July 83 less case £9.88
EPROM PROGRAMMER Jun. 83 less software, TRS80 £44.98 Genie £45.73
ENVELOPE SHAPER Jun. 83 less case £12.33
REAL TIME CLOCK May 83 less software and cases.
Apple II £33.98 BBC £39.59 less power plug
MODEL TRAIN CONTROLLER May 83 £27.17
GUITAR HEADPHONE AMPLIFIER May 83 £27.92
MW PERSONAL RADIO less case, May 83 £7.62
MOISTURE DETECTOR May 83 £5.46
CAR RADIO POWER BOOSTER April 83 £11.99
FUNCTION GENERATOR April 83 £45.98
FLANGER SOUND EFFECTS April 83 £24.17
NOVELTY EGG TIMER April 83 less case £5.48
ZX SPECTRUM AMPLIFIER April 83 £9.87
DUAL POWER SUPPLY March 83 £59.38
BUZZ OFF March 83 £4.51
SPEECH PROCESSOR Feb. 83 £11.66
PUSH BIKE ALARM Feb. 83 £11.73
DOUBLE DICE Jan. 83 £12.52
ELECTRONIC V/I METER Dec. 82 £7.13
ZX TAPE CONTROL Nov. 82 £16.11
SINE WAVE GEN Oct. 82 £6.09
G. P. PHE-AMP Oct. 82 £4.58
LIGHTS ON ALERT Oct. 82 £5.47
CONTINUITY CHECKER Sept. 82 £17.35
SOUND SPLITTER Sept. 82 £4.07
SOUND RECOMBINER Sept. 82 £4.83
SCREEN WASH DELAY Sept. 82 £9.32
CB ROGER BLEEPER Aug. 82 £4.52
2-WAY INTERCOM July 82 no case £5.40
ELECTRONIC PITCH PIPE July 82 £7.77
REFLEX TESTER July 82 £4.10
SEAT BELT REMINDER Jun 82 £5.44
EGG TIMER June 82 £23.18
CAR LED VOLT METER less case, May 82 £3.18
V.C.O. SOUND EFFECTS UNIT Apr. 82 £12.71

First Book of Hi-Fi Loudspeaker Enclosures 95p
28 Tested Transistor Projects £1.25
50 Projects Using IC CA3130 £1.25
A Practical Introduction to Digital IC's £1.25
How to Build Advanced Wave Receivers £1.95
Essential Theory for the Electronics Hobbyist £1.95
50 (FET) Field Effect Transistor Projects £1.75
How to Design and Make Your Own PCB's £1.95
Fun with Electronics £1.25
50 Simple L.E.D. Circuits £1.50
How to Make Walker Talks £1.95
Projects in Opto-Electronics £1.95
Mobile Discotheque Handbook £1.35
Electronic Projects for Beginners £1.95
Popular Electronic Projects £1.95
Electronic Security Devices £1.95
50 Circuits Using 7400 Series IC's £1.75
Second Book of CMOS IC Projects £1.50
Beginners Guide to Digital Techniques 95p
Transistor Radio Fault-Finding Chart 50p
Electronic Household Projects £1.75
Electronic Test Equipment Construction £1.75
Practical Computer Experiments £1.75
Radio Control for Beginners £1.75
Popular Electronic Circuits - Book 1 £1.95
Electronic Synthesiser Projects £1.75
Electronic Projects Using Solar Cells £1.95
International Transistor Equivalents Guide £2.95
Simple L.E.D. Circuits - Book 2 £1.35
Easy Electronics - Crystal Set Construction £1.75
Electronic Projects for Cars and Boats £1.95
Popular Electronic Circuits - Book 2 £2.95
How to Identify Unmarked IC's 65p
Multi-Circuit Board Projects £1.95
International Diode Equivalents Guide £2.25
The Art of Programming the 1K ZX81 £1.95
The Art of Programming the 16K ZX81 £2.50
The Art of Prog the ZX Spectrum £2.50
Semiconductor Data Book Newnes £6.95
Basic Electronics. Theory and practice £7.98
Microprocessors for Hobbyists £4.75
Burglar Alarm Systems £5.55
Electronics, Build and Learn £3.90
Electronic Projects in Music £3.90
Electronic Projects in Photography £3.90
Electronic Projects for Home Security £3.90
Questions and Answers Electronics £2.70
Electronic Projects in the Car £3.90
20 Solid State Projects Car and Garage £1.95
110 Electronic Alarm Projects £5.98
Computing is Easy £4.25
ZX81 Users Handbook £5.75
ZX81 Basic Book £5.75
50 CMOS IC Projects £1.38
52 Projects using IC741 £1.25
IC555 Projects £1.95
IC LM3900 Projects £1.35
Single IC Projects £1.50
Electronic Games £1.75
A Microprocessor Primer £1.75
Remote Control Projects £1.95
Electronic Music Projects £1.75
Power Supply Projects £1.75
VMOS Projects £1.95
Digital IC Projects £1.95
How to use Op-Amps £2.25
Audio Projects £1.95
Electronic Timer Projects £1.95
Model Railway Projects £1.95
IC Projects for Beginners £1.95
Mini Matrix Board Projects £2.25
Aerial Project £1.95
Modern Op-Amp Projects £1.95
The Pre-Computer Book £1.95
Electronic Science Projects £2.25
More books in our price list

Handbook of Integrated Circuits (IC's) Equip. & Substitutes £1.95
Solid State Short Wave Receivers for Beginners £1.25
Beginners Guide to Building Electronic Projects £1.95
First Book of Transistor Equivalents and Substitutes £1.50
Second Book of Transistor Equivalents and Substitutes £1.75
Chart of Radio, Electronic, Semi-conductor and Logic Symbols 50p
How to Build Your Own Metal and Treasure Locators £1.95
50 Circuits Using Germanium, Silicon and Zener Diodes £1.50
50 Projects Using Relays, SCR's and TRIACS £1.95
Electronic Music and Creative Tape Recordings £1.95
Practical Electronics Calculations and Formulae £2.95
How to Build Your Own Electronic Projects Working £1.95
Practical Construction of Pre-amps, Tone Controls, Filters & Attn. £1.45
Beginners Guide to Microprocessors and Computing £1.75
Counter, Driver and Numerical Display Projects £1.75
An Introduction to BASIC Programming Techniques £1.95
30 Solderless Breadboard Projects - Book 2 £2.25
How to Build Your Own Electronic Projects Working £1.95
Practical Electronic Building Blocks - Book 1 £2.25
Practical Electronic Building Blocks - Book 2 £1.95
Elementary Electronics. Sladdin. Excellent theory and 35 constructional projects. Uses S-Dec. First steps to CSE level. £3.98
Interfacing to Microprocessors and Microcomputers £5.75

ZX81 edge connector £2.25
ZX81 edge plug £1.50
ZX Spectrum edge connector £2.55
SPO256 speech I.C. £11.83
47µH choke £1.27
AY3-8912 i.c. £5.98

MORE KITS AND COMPONENTS IN OUR LISTS
FREE PRICE LIST
Price list included with orders or send save (9 x 4) CONTAINS LOTS MORE KITS, PCBs & COMPONENTS

ELECTRONICS CATALOGUE
Illustrations, product descriptions, circuits all included. Up-to-date price list enclosed. All products are stock lines for fast delivery.
Send 80p in stamps or add 80p to order. Free to Schools/Colleges requested on official letterhead.

MAGENTA ELECTRONICS LTD.
EET13, 135 HUNTER ST., BURTON-ON-TRENT STAFFS, DE14 2ST. MAIL ORDER ONLY. 0283 65435, Mon-Fri 9-5. Access/Barclaycard (Visa) by phone or post.

Add 50p p&p to all orders. Prices include VAT. See all enquiries. Official orders welcome. OVERSEAS: Payment must be sterling. IRISH REPUBLIC and BFFO: UK PRICES. EUROPE: UK PRICES plus 10%. ELSEWHERE: write for quote.



INTRODUCING ELECTRONICS
6 part series E.E. Oct. 82-Mar. 83.
No soldering. Connections via screw terminal blocks. Very clear drawings showing how to connect components. Covers the basis of electronics. Components (less batteries) parts 1-6 £6.98. Reprints 50p each extra.

30 SOLDERLESS BREADBOARD PROJECTS
Book 1 by R. A. Penfold
Clear verobloc layouts and circuit diagrams. Includes fuzz box, radio, metronomes, timers, transistor checker, switches, etc. Introduction gives basic information on components including resistors, capacitors, I.C.s, transistors, photocells etc. Ideal for beginners as well as those with some experience. Complete kit includes verobloc, book and components (less batteries) £27.55. Less book £25.30. Book only £2.25.

ADVENTURES WITH DIGITAL ELECTRONICS
Entertaining and instructive. Includes details of some digital IC's and 8 projects: shooting gallery, 2 way traffic lights, electronic address, computer space invaders game etc. No soldering.
Adventures with Digital Electronics Book £3.25
Component pack including Breadboards £45.50 less batteries

ADVENTURES WITH MICROELECTRONICS
Similar to 'Electronics' below. Uses I.C.s. Includes dice, electronic organ, doorbell, reaction timer, radio etc. Based on Bimboard 1 bread board.
Adventures with Microelectronics £3.20
Component pack £34.64 less battery.

ADVENTURES WITH ELECTRONICS by Tom Duncan
An easy to follow book suitable for all ages. Ideal for beginners. No soldering, uses an S-Dec Breadboard. Gives clear instructions with lots of pictures. 16 projects - including three radios, siren, metronome, organ, intercom, timer, etc. Helps you learn about electronic components and how circuits work. Component pack includes an S-Dec breadboard and all the components for the projects.
Adventures with Electronics £2.85. Component pack £20.98 less battery.

Security

BURGLAR ALARM EQUIPMENT. Free catalogue. C.W.A.S. Ltd., 0274-308920, showrooms open 9-5, Mon-Sat.

SECURITY Alarm Systems

FREE COMPREHENSIVE CATALOGUE!

- **LOWEST DISCOUNT PRICES**
 - **HIGHEST QUALITY EQUIPMENT**
 - **FREE DIY DESIGN GUIDE**
 - **FULLY ILLUSTRATED**
 - **MICROCHIP CIRCUITRY**
 - **QUICK DESPATCH SERVICE**
 - **FULL INSTRUCTIONS**
- SEND SAE OR PHONE

C-TEC SECURITY, Dept EE,
60 Market St, Wigan WN1 1HX
Telephone (0942) 42444



Miscellaneous

OSSCILLASCOPE TELEQUIPMENT D55A dual beam delayed timebase £165, Tektronix 575 transistor curve tracer £155, Lambda dual regulated power supply LPD-423A-FM £85. Crowthorne 773774.

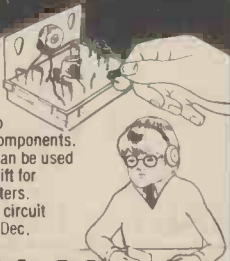
LEARN ELECTRONICS WITHOUT SOLDER

Build electronic circuits without solder on a Roden S-Dec. This has built-in contacts and holes into which you plug your components. Suitable for all ages. Can be used time after time. Ideal gift for students or experimenters. Full instructions and 2 circuit diagrams with each S-Dec.

Send cheque or P.O. to:
Roden Products, Dep EE
High March, Daventry,
Northants, NN11 4DE.

£4.99

including p & p



EVERYDAY ELECTRONICS and computer PROJECTS

Reach effectively and economically to-days enthusiasts anxious to know of your products and services through our semi-display and classified pages. Semi-display spaces may be booked at £7.80 per single column centimetre (minimum 2.5cm). The prepaid rate for classified advertisements is 33 pence per word (minimum 12 words), box number 60p extra. All cheques, postal orders, etc., to be made payable to

Receivers & Components

COMPONENTS & EQUIPMENT - 1984 Catalogue 70p + 20p P&P. Callers: 18 Victoria Road, TAMWORTH. 369 Alumrock Road, BIRMINGHAM. 103 Coventry Street, KIDDERMINSTER. Express Mail Order Service. **LIGHTNING ELECTRONICS**, PO Box 8, Tamworth, Staffs.

ELECTRONIC COMPONENTS MERSEYSIDE, Myca Electronics, 2 Victoria Place, Seacombe Ferry, Wallasey, L44 6NR. 051-638 8647.

500 SMALL COMPONENTS including TTL transistors £2.50, 7lbs or 10lbs assorted components £5.00/£6.50. Fifty 74 series ICs on panel £2.20. Post Paid. J. W. BLANSHARD, 2 Barnfield Crescent, Sale, Cheshire, M33 1NL.

RESISTOR PACKS FOR ALL PROJECTS

1/2 watt carbon film resistors 5% 1 ohm to 10M E24 series. Packs of 10 each value (1690 resistors) £12.50. Your choice of quantities/values 100 for £1.00. VAT and Post Free.

GORDON HALLETT
20 Bull Lane, Maiden Newton,
Dorchester, Dorset DT2 0BQ.

TURN YOUR SURPLUS capacitors, transistors etc., into cash. Contact Coles Harding & Co., 103 South Brink Wisbech. Cambs. 0945-584188. Immediate settlement.

AERIAL BOOSTERS

Next to the set fitting

B45H/G-UHF TV, gain about 20dbs, Tunable over the complete UHF TV band. PRICE £8.70.
BII-VHF/FM RADIO, gain about 14dbs, when on the off position connects the aerial direct to the radio, £7.70.
All Boosters we make work off a PP3/006p/6F22 type battery or 8v to 18v DC. P&P 30p PER ORDER
ELECTRONIC MAILORDER LTD, 62 Bridge St, Ramsbottom, Lancs BLO 9AG. Tel (070682) 3036
Access/Visa Cards Welcome SAE Leaflets

BUMPER BOX OF BITS

WOW!!! We've got so many components in stock, we can't possibly list them all!!! - So buy a box, in it you'll find resistors, capacitors, displays, switches, panels with transistors, diodes, IC's etc, coils, pots... and so on. All modern parts - guaranteed at least 1000 items, minimum weight 10lbs. ONLY £8.50.

PSU PANEL

Stabilized 5v, variable $\pm 0.5V$. Regulation 1% Max. current 2A. Will take AC I/P up to 15V, or DC I/P up to 24V. Panel 140 x 35mm containing all components except series reg. transistor which is supplied separately. PCB stand-offs, included. ONLY £3.95. Heatsink 75p; transformer £5.00

RESISTOR PACK

All sorts - everything from 1 Ω to 10W. Carbon, Film, W/W, Oxide, PCB, etc. 2000 resistors - yes, 2000!!! For only £4.95.

SWITCH PACK

Slide (up to 9 way), push button banks, push types - a total of 50 switches for only £3.95.

All prices include VAT and Post/Packing.

Send SAE for latest lists.

ELECTRONICS WORLD

1d Dews Road, Salisbury, Wilts, SP2 7SN

ORDER FORM PLEASE WRITE IN BLOCK CAPITALS

Please insert the advertisement below in the next available issue of **Everyday Electronics** for
Insertions. I enclose Cheque/P.O for £
(Cheques and Postal Orders should be crossed Lloyds Bank Ltd. and made payable to Everyday Electronics)

NAME
ADDRESS

EVERYDAY ELECTRONICS

Classified Advertisement Dept., Room 2612,
King's Reach Tower, Stamford Street, London SE1 9LS
Telephone 01-261 5942

Rate:

33p per word, minimum 12 words. Box No. 60p extra.

Company registered in England. Registered No. 53626. Registered Office: King's Reach Tower, Stamford Street, London SE1 9LS.

2/84

AT YOUR SERVICE

Everyday Electronics and Computer Projects and crossed "Lloyds Bank Ltd." Treasury notes should always be sent registered post. Advertisements, together with remittance, should be sent to the Classified Advertisement Department, Everyday Electronics and Computer Projects, Room 2612, IPC Magazines Limited, King's Reach Tower, Stamford St., London SE1 9LS. (Telephone 01-261 5942).

Courses

CONQUER THE CHIP—master modern electronics the practical way by seeing and doing in your own home. Write for your free colour brochure now to **BRITISH NATIONAL RADIO & ELECTRONICS SCHOOL**, Dept C3, Reading, Berks RG1 1BR.

Service Sheets

FULL SIZE SERVICE SHEETS £2 + 1sae; CTV/MusC £3 + 1sae. Repair/circs almost any named TV/VCR £9.50. 1sae free quotations for manuals, sheets - free mag inc. service sheet. T.I.S.E.E. 76 Church Street, Larkhall, Lanarks - Phone 0698 883334.

BELL'S TELEVISION SERVICE for service sheets on Radio, TV etc. £1.50 plus SAE. Service Manuals on Colour TV and Video Recorders, prices on request. SAE with enquiries to: BTS, 190 King's Road, Harrogate, N. Yorkshire. Tel: 0423 55885.

INDEX TO ADVERTISERS

Alcon Instruments	76
Ambit International	139
Bib Audio	138, 139
Bimsales	143
BI-Pak	78
BK Electronics	Cover III
Bull J.	79
B.N.R.E.S.	74
Cambridge Learning	140
Circuit Solders	143
Computer Link	144
Cricklewood Electronics	77
Electronize Design	Cover II
Electrovalue	144
Enfield Electronics	80
Global Specialists Corporation	137
Greenwell Electronics	76
ICS Intertext	143
Magenta Electronics	140, 141
Maplin Electronics	Cover IV
Radio Component Specialists	143
R & TVC	144
Rapid Electronics	75
Sparkrite	125
T.K. Electronics	138

BIMBOARDS

Prototype with plug-in breadboards. Component support brackets supplied with all except Eurobreadboard

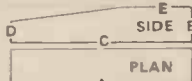
Type	Number of Contact Points	Price
Eurobreadboard	500	6.25
Eurobreadboard PCB	500	0.75
Bimboard 1	550	6.55
Bimbusstrip	80	2.50
Bimboard PCB	630	1.44
Bimboard Layout Pad	630	0.46
MP Urobreadboard	1422	17.25
Bimboard Designer		77.00

Bimconsoles—Metal Brown base, Beige top

Part No.	A	B	C	D	E	Price
BIM 2801	178	51	210	38.5	70	9.15
BIM 2802	280	51	210	38.5	70	10.15
BIM 2603	381	51	210	38.5	70	11.75
BIM 2604	483	51	210	38.5	70	13.35
BIM 2605	483	51	261	38.5	70	14.90
BIM 2701	178	76	210	38.5	70	9.60
BIM 2702	280	102	210	38.5	70	11.20
BIM 2703	381	102	210	38.5	70	12.40
BIM 2704	483	102	210	38.5	70	14.15

Bimconsoles - ABS Black or Grey base with Grey Aluminium top

BIM 6005	105	55.5	143	31.5	37.5	2.25
BIM 6006	170	55.5	143	31.5	37.5	2.80
BIM 6007	170	81.8	213.8	31.5	57.8	3.85



All prices inc VAT. Add 50p per order on Bimboards, £1.50 per order on Bimconsoles. SAE for full list. Mail Order only.

BIMSALES Dept EE3, 48a Station Road, Cheadle Hulme, Cheadle, Cheshire, SK8 7AB. Tel: 061 485 6667.

QUALITY CORED SOLDER WIRE AT BARGAIN PRICES

	20ft cards	100GM reels	250GM reels	500GM reels
18 SWG 60/40	90p	£1.53	£3.15	£5.99
22 SWG 60/40	65p	£1.60	£3.45	£6.33

ALL OUR PRICES ARE INCLUSIVE
TRADE ENQUIRIES INVITED

For immediate despatch cash with order to:

CIRCUIT SOLDERS
INDUSTRIAL ESTATE, THRUXTON AIRFIELD
ANDOVER, HAMPSHIRE SP11 8PN.

★ BAKER ★ GROUP P.A. DISCO AMPLIFIERS post £2

150 watt Output, 4 input Mixer pre-amp. Illustrated	£99
150 watt Output, Slave 500 mv. Input 3 Speaker Outputs	£80
150w 150v Stereo, 300w Mono Slave 500mv inputs	£125
150w P.A. Vocal, 8 inputs, High/Low Mixer Echo Socket	£129
100 watt Valve Model, 4 inputs, 5 Outputs, Heavy duty	£125
60 watt Valve Model, 4 inputs, Low imp and 100k line output	£69
60 watt Mobile 240v AC and 12v DC. 4-8-16 ohm+100k line	£89

BAKER LOUDSPEAKERS

Make	Model	Size	Watts	Ohms	Price
Baker Hi-Fi	Major	12in	30	4/8/16	£16.00
Baker Hi-Fi	Superb	12in	30	8/16	£26.00
Baker P.A.	Group 45	12in	45	4/8/16	£16.00
Baker Hi-Fi	Auditorium	12in	45	8/16	£24.00
Baker Hi-Fi	Auditorium	15in	60	8/16	£37.00
Baker P.A.	DG75	12in	75	4/8/16	£20.00
Baker P.A.	Group 100	12in	100	8/16	£26.00
Baker P.A.	Disco 100	12in	100	8/16	£26.00
Baker P.A.	Group 100	15in	100	8/16	£35.00
Baker P.A.	Disco 100	15in	100	8/16	£35.00

BAKER DISCO SYSTEMS

150 Watts twin turntables, twin speakers, headphones, microphone, side controls. Complete £300. 300 Watt system £399. Carriage £30

RCS SOUND TO LIGHT CONTROLLER KIT

Printed circuit. Cabinet, 3 channels, 1,000 watts each. Will operate from home Hi-Fi or Disco. £19. Post £1 or Ready Stock £27. Disco Bulbs 100w ES or BC £2.20 pp £1.50 for 6

THE "INSTANT" BULK TAPE ERASER

A.C. 200/240V (120V to order). £10.50

Ideal Computer, Recorder. Post £1

Tapes, Discs, Cassettes. Post £1

HEAD DEMAGNETISER PROBE £5.00

ALUMINIUM CHASSIS 18 s.w.g. Undrilled, 4 sides, riveted corners:

6 x 4 x 2in. £1.75; 8 x 6 x 2in. £2.20; 10 x 7 x 2in. £2.75;

14 x 9 x 2in. £3.60; 16 x 6 x 2in. £3; 12 x 3 x 2in. £1.80;

12 x 8 x 2in. £3.20; 16 x 10 x 2in. £3.80.

ALI ANGLE BRACKET 6 x 4 x 3in. 30p.

ALUMINIUM PANELS 18 s.w.g. 12 x 12in. £1.80; 14 x 9in. £1.75;

6 x 4in. 55p; 12 x 8in. £1.30; 10 x 7in. 96p; 8 x 6in. 90p; 14 x 3in.

72p; 12 x 5in. 90p; 16 x 10in. £2.10; 16 x 6in. £1.30 up.

ALUMINIUM BOXES. MANY OTHER SIZES IN STOCK.

4 x 21 x 2in. £1.90; 3 x 2 x 1in. 80p; 6 x 4 x 2in. £1.60; 8 x 6 x 3in.

£2.50; 12 x 5 x 3in. £2.75; 6 x 4 x 3in. £1.80; 10 x 7 x 3in. £3.

HIGH VOLTAGE ELECTROLYTICS

32+32/350V .50p

20/500V .75p 8+8/500V .£1 32+32/500V .£2

32/350V .45p 8+16/450V .75p 12/5/500V .£2

32/500V .95p 16+16/350V .75p 16+32+32/500V .£2

SINGLE PLAY DECKS. Post £2.

Make	Model	Cartridge	Price
BSR	P170	Ceramic	£20
GARRARD	6200	Ceramic	£22
GOLDRING	G102	Magnetic	£30
AUTOCHANGER	BSR	Ceramic	£20

RADIO COMPONENT SPECIALISTS

Dept 4, 337, WHITEHORSE ROAD, CROYDON

SURREY, U.K. TEL: 01-684 1665

Post 65p Minimum Callers Welcome.

Access-Barclay/Visa. Lists 32p. Same day despatch. Closed Wed.

FREE CAREER BOOKLET Train for success, for a better job, better pay

Enjoy all the advantages of an ICS Diploma Course, training you ready for a new, higher paid, more exciting career.

Learn in your own home, in your own time, at your own pace, through ICS home study, used by over 8 million already!

Look at the wide range of opportunities awaiting you. Whatever your interest or skill, there's an ICS Diploma Course there for you to use.

Send for your FREE CAREER BOOKLET today—at no cost or obligation at all.

TICK THE FREE BOOKLET YOU WANT
AND POST TODAY

<input type="checkbox"/> ELECTRONICS ENGINEERING	<input type="checkbox"/> TV & AUDIO SERVICING
<input type="checkbox"/> ELECTRICAL ENGINEERING	<input type="checkbox"/> RUNNING YOUR OWN BUSINESS

Name
Address

ICS ICS Dept R268
160 Stewart's Road, London SW8 4UJ
Division of National Education Corporation
01-622 9911 (all hours)

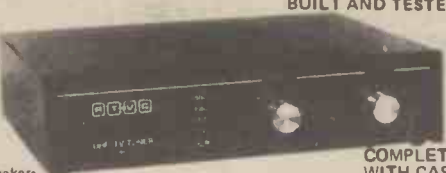
T.V. SOUND TUNER

SERIES II

BUILT AND TESTED

In the cut-throat world of consumer electronics, one of the questions designers apparently ponder over is "Will anyone notice if we save money by chipping this out?" In the domestic TV set, one of the first casualties seems to be the sound quality. Small speakers and no tone controls are common and all this is really quite sad, as the TV companies do their best to transmit the highest quality sound. Given this background a compact and independent TV tuner that connects direct to your Hi-Fi is a must for quality reproduction. The unit is mains-operated.

This TV SOUND TUNER offers full UHF coverage with 5 pre-selected tuning controls. It can also be used in conjunction with your video recorder. Dimensions: 10 1/2" x 7 1/4" x 2 1/2".



COMPLETE WITH CASE

£26.50 + £2.00 p&p.

PRACTICAL ELECTRONICS STEREO CASSETTE RECORDER KIT

COMPLETE WITH CASE

ONLY £31.00 plus £2.75 p&p.

• NOISE REDUCTION SYSTEM. • AUTO STOP. • TAPE COUNTER. • SWITCHABLE E.O. • INDEPENDENT LEVEL CONTROLS. • TWIN V.U. METER. • WOW & FLUTTER 0.1%. • RECORD/PLAYBACK I.C. WITH ELECTRONIC SWITCHING. • FULLY VARIABLE RECORDING BIAS FOR ACCURATE MATCHING OF ALL TYPES.

Kit includes tape transport mechanism, ready punched and back printed quality circuit board and all electronic parts, i.e. semiconductors, resistors, capacitors, hardware, top cover, printed scale and mains transformer. You only supply solder & hook-up wire. Featured in April P.E. reprint 50p. Free with kit.



STEREO TUNER KIT

SPECIAL OFFER! £13.95 + £2.50 p&p.

This easy-to-build 3 band stereo AM/FM tuner kit is designed in conjunction with P.E. (July

'81). For ease of construction and alignment it incorporates three Mullard modules and an I.C. IF System. FEATURES: VHF, MW, LW Bands, interstation muting and AFC on VHF. Tuning meter. Two back printed PCB's. Ready made chassis and scale. Aerial: AM-ferrite rod, FM-75 or 300 ohms. Stabilised power supply with 'C' core mains transformer. All components supplied are to P.E. strict specification. Front scale size 10 1/2" x 2 1/2" approx. Complete with diagram and instructions.



BSR RECORD DECKS

3 speed, manual, auto, setdown; with auto return. Fitted with viscous damped cue, tubular aluminium counter-weighted arm, fitted with stereo ceramic head. Ideally suited for home or disco use. £17.50 + £1.75 p&p.

Auto Changer model - takes up to six records with manual override. Also supplied with stereo ceramic cartridge. £12.95 + £1.75 p&p.

PLINTH to suit BSR Record Player Deck (with cover). Size 16 1/2" x 14" x 2 1/2". Cover size: 14 1/2" x 13" x 3 1/2". Due to fragile nature, Buyer collect only. Price: £8.95.



125W HIGH POWER AMP MODULES

The power amp kit is a module for high power applications - disco units, guitar amplifiers, public address systems and even high power domestic systems. The unit is protected against short circuiting of the load and is safe in an open circuit condition. A large safety margin exists by use of generously rated components, result, a high powered rugged unit. The PCB board is back printed, etched and ready to drill for ease of construction and the aluminium chassis is preformed and ready to use. Supplied with all parts, circuit diagrams and instructions.

ACCESSORIES: Stereo/mono mains power supply kit with transformer: £10.50 plus £2.00 p&p.

SPECIFICATIONS: Max. output power (RMS): 125 W. Operating voltage (DC): 50 - 80 max. Loads: 4 - 16 ohm. Frequency response measured @ 100 watts: 25Hz - 20KHz. Sensitivity for 100w: 400mV @ 47k. Typical T.H.D. @ 50 watts, 4 ohms: 0.1%. Dimensions: 205x90 and 190x36mm.

KIT £10.50 + £1.15 p&p. BUILT £14.25 + £1.15 p&p.

HI-FI SPEAKER BARGAINS

AUDAX 8" SPEAKER £5.95 + £2.20 p&p. High quality 40 watts RMS bass/mid. Ideal for either HiFi or Disco use this speaker features an aluminium voice coil and a heavy 70mm dia. magnet. Freq. Res.: 20Hz to 7kHz. Imp.: 8 ohms.

AUDAX 40W FERRO-FLUID HI-FI TWEETER Freq. res.: 5KHz - 22KHz. Imp.: 8 ohms. 60mm sq. £5.50 + 60p p&p.

GOODMANS TWEETERS 8 ohm soft dome radiator tweeter (3 1/2" sq) for use in systems up to 40W. £3.95 ea + £1 p&p. £8.95 pr + £1.50.

MONO MIXER AMP

Ideal for halls and clubs. £45.00 + £2 p&p. 50 Watt, six individually mixed inputs for 2 pickups (Cer. or mag), 2 moving coil microphones and 2 auxiliary for tape tuner, organs etc. Eight slider controls - 6 for level and 2 for master bass and treble, 4 extra treble controls for mic. and aux. inputs. Size: 13 1/2" x 6 1/2" x 3 1/2" app. Power output 50 W RMS (cont.) for use with 4 to 8 ohm speakers. Attractive black vinyl case with matching fascia and knobs. Ready to use.



All mail to: 21B HIGH ST, ACTON W3 6NG. Callers welcome from 9.30 - 5.30. Half day Wednesday.

Note: Goods despatched to U.K. postal addresses only. All items subject to availability. Prices correct at 30/11/83 and subject to change without notice. Please allow 14 working days from receipt of order for despatch. RTVC Limited reserve the right to update their products without notice. All enquiries send S.A.E. Telephone or mail orders by ACCESS welcome

CALLERS TO: 323 EOGWARE ROAD, LONDON W2. Telephone: 01-723 8432. (5 minutes walk from Eogwara Road Tube Station) Now open 6 days a week 9 - 5.30. Prices include VAT.



COMPUTER LINK

DIL PLUGS (Headers) IDC		IDC SOCKET CONNECTORS		CARD EDGE CONNECTORS IDC	
Pins		2 Row		Female	
14	90	10-way	.80	10-way	£1.20
16	£1.00	14-way	.90	16-way	£1.60
24	£1.40	16-way	£1.00	20-way	£1.30
		20-way	£1.20	26-way	£2.40
		26-way	£1.45	34-way	£3.10
		34-way	£1.60	40-way	£3.40
		40-way	£1.85	48-way	£3.85
		50-way	£2.00	60-way	£4.80
		60-way	£2.25		
IDC P.C.B. PLUGS		IDC D CONNECTORS		IDC SHROUDED HEADERS WITH EJECTING LOCKING ARMS	
10-way	85				
16-way	£1.20	Male	Female	Straight	Right Angle
20-way	£1.35	9-way	£2.70	10-way	.85 .90
26-way	£1.60	15-way	£3.20	14-way	£1.00
34-way	£1.95	25-way	£3.80	16-way	£1.25
40-way	£2.00	37-way	£5.90	20-way	£1.40
50-way	£2.25			26-way	£1.70
60-way	£2.60			34-way	£2.00
				40-way	£2.15
				50-way	£2.30
				60-way	£2.45
IDC AMPHENOL PLUGS		EDGE CONNECTORS			
24-way	£5.00	23-way (ZX81)	£1.85		
36-way	£5.20	28-way (Spectrum)	£2.10		
RIBBON CABLE (Price per foot)		D CONNECTORS (Soldier Bucket)		IDC 25-WAY D CONN	
		Male	Female	Jumper Lead Ribbon Cable Assembly	
9-way	Grey .13 Rainbow .24	9-way	.75	18" long Single End M/F	£4.65
10-way	.15 .28	15-way	.95	18" long Single End F/F	£5.10
14-way	.18 .32	25-way	£1.50	36" long Dbl Ended M/F	£9.75
15-way	.20 .36	37-way	£2.40	36" long Dbl Ended F/F	£10.00
16-way	.22 .40			36" long Dbl Ended M/F	£9.85
20-way	.30 .50				
24-way	.36 .60			Z80A CPU	£2.95
25-way	.40 .65			Z80A CTC	£2.55
26-way	.45 .70			Z80A DART	£5.45
34-way	.60 .80			Z80A PIO	£2.70
37-way	.65 .85			ZN424E	£1.25
40-way	.70 .90			ZN425E	£3.40
50-way	.95 £1.25			ZN426E	£2.95
60-way	£1.10 £1.40			ZN427E	£5.95
64-way	£1.15 £1.50				
IDC JUMPERS 3P SINGLE ENDED		DIL PLUG HEADERS		ASSORTMENTS	
Ways	2 Row Card	Jumper Leads Ribbon Cable Assembly		C12 - C14 - C15 Cassettes	52 ea.
10	Socket Edge PCB	Single ended lead:		(ZX81) 23-way Plug Board	£1.25
14	£1.70	Length 14 Pin 16 Pin 24 Pin 40 Pin		(SPECTRUM) 28-way Plug Board	£1.50
16	£1.90	24" £1.35 £1.55 £2.30 £3.20		COMPUTER LEADS	
20	£2.20	Double ended leads:		BBC Computer to Printer	
26	£2.95	6" £1.80 £2.00 £2.90 £3.25		2 metre lead	£2.75
34	£3.40	12" £1.90 £2.10 £3.10 £4.85		BBC or ORIC 7-pin DIN plug to 2x3.5mm Jack	
40	£4.50	24" £2.00 £2.25 £3.40 £5.30		to 1x2.5mm Jack 1 metre lead	£2.25
50	£5.25	36" £2.25 £2.45 £3.65 £5.85		5-Pin Domino Plug 50	
60	£6.25			6-Pin DIN Plug 50	
				7-Pin DIN Plug 50	
				LIGHT PEN	
				Light Pen for ZX80/81	
				SPECTRUM enables you to produce high resolution drawings on your own T.V. screen.	
				ONLY £14.75	

NO HIDDEN EXTRAS - PRICES INCLUSIVE - FREE P&P - C.W.O. COMPUTER LINK 8 Ranworth Avenue, Hoddesdon, Herts. Tel. 0992-466832/462371.

ELECTROVALUE

Your SPECIALIST SUPPLIERS for SOLDER TOOLS



From a simple 15 watt model to a precision temperature controlled iron, we stock solder irons to suit all manual requirements together with supporting stocks of bits, de-solder tools, materials, etc.

ANTEX
C.240 - 15W/240V:
CSCN - 15W/240V
CS - 17W/240V
CSBP - 17W/240V + 13A plug
XS - 25W/240V
XSBP - 25W/240V + 13A plug
Replacement bits from 3/32" to 1/2"
De-solder heads, stands, elements and handles.
ERSA
'Sprint' high speed iron: 80/150W, 240V. Heats in 10 seconds!

ORYX
Temperature controlled solder iron TC.82 45W/240V with scale.
Dryx 50 - 50 watt version of above.
Standard types
Dryx 30 - 30W/240V
Viking - 27W/240V
Dryx M.3 - 17 watts, 12 volts.
A wide range of replacement tips available for all models, also tips from 0.8 to 6.4mm dia and flat tips
Oryx safety stand.
Oryx de-solder tool.
MINIATURE SOLDER STATION
SOLDER and DE-SOLDER BRAID SOLDER in many grades.
Please mention E.E. when sending for latest free A-Z list.

BRITAIN'S LEADING QUALITY COMPONENT SUPPLIERS - SEND FOR FREE 32 PAGE A-Z LIST
ATTRACTIVE DISCOUNTS-FREE POSTAGE-GOOD SERVICE & DELIVERY

ELECTROVALUE LTD 28 St. Judes Rd., Englefield Green, Egham, Surrey TW20 0HB.
(0784) 33603; Telex 264475. North - 680 Burnage Lane, Manchester. 061-432 4945.
EV Computing Shop - 700 Burnage Lane, Manchester. 061-431 4856.

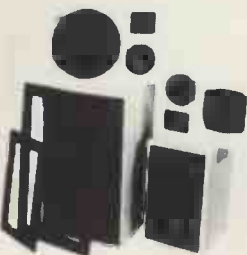
ACCESS AND BARCLAYCARD Phoned Orders Welcome



MULLARD SPEAKER KITS

Purposefully designed 40 watt R.M.S. and 30 watt R.M.S. 8 ohm speaker systems recently developed by MULLARD'S specialist team in Belgium. Kits comprise Mullard woofer (6" or 5") with foam surround and aluminium voice coil. Mullard 3" high power domed tweeter. B.K.E. built and tested crossover based on Mullard circuit, combining low loss components, glass fibre board and recessed loudspeaker terminals. SUPERB SOUNDS AT LOW COST. Kits supplied in polystyrene packs complete with instructions. 8" 40W system — recommended cabinet size 240 x 216 x 445mm
Price £14.90 each + £2.00 P & P.
5" 30W system — recommended cabinet size 160 x 175 x 295mm
Price £13.90 each + £1.50 P & P.

Designer approved flat pack cabinet kits, including grill fabric. Can be finished with iron on veneer or self adhesive vinyl etc. 8" system cabinet kit £8.00 each + £2.50 P & P. 5" system cabinet kit £7.00 each + £2.00 P & P.



OMP 80 LOUDSPEAKER

The very best in quality and value.

Ported tuned cabinet in hard-wearing black vinyl with protective corners and carry handle. Built and tested, employing 10in British driver and Piezo tweeter. Spec: 80 watts RMS; 8 ohms; 45Hz-20KHz; Size: 20in x 15in x 12in; Weight: 30 pounds.

Price: £49.00 each
£90 per pair
Carriage: £5 each £7 per pair

BK ELECTRONICS

Prompt Deliveries
VAT inclusive
prices
Audio Equipment
Test Equipment
by
Thandar
and
Leader

STEREO CASSETTE TAPE DECK MODULE

Comprising of a top panel and tape mechanism coupled to a record/play back printed board assembly. Supplied as one complete unit for horizontal installation into cabinet or console of own choice. These units are brand new, ready built and tested.

Features: Three digit tape counter. Autostop. Six piano type keys, record, rewind, fast forward, play, stop and eject. Automatic record-level control. Main inputs plus secondary inputs for stereo microphones. Input Sensitivity: 100mV to 2V. Input Impedance: 68K. Output level: 400mV to both left and right hand channels. Output Impedance: 10K. Signal to noise ratio: 45dB. Wow and flutter: 0.1%. Power Supply requirements: 18V DC at 300mA. Connections: The left and right hand stereo inputs and outputs are via individual screened leads, all terminated with phono plugs (phono sockets provided). Dimensions: Top panel 5 1/2in x 11 1/2in. Clearance required under top panel 2 1/2in. Supplied complete with circuit diagram and connecting diagram. Attractive black and silver finish.
Price £26.70 + £2.50 postage and packing.
Supplementary parts for 18V D.C. power supply (transformer, bridge rectifier and smoothing capacitor) £3.50



PANTEC

HOBBY KITS. Proven designs including glass fibre printed circuit board and high quality components complete with instructions.

FM MICROTRANSMITTER (BUG) 90/105MHz with very sensitive microphone. Range 100/300 metres. 57 x 46 x 14mm (9 volt)
Price: £7.99p

DIGITAL THERMOMETER -9.9°C to +99.9°C. LED display. Complete with sensor. 70 x 70 mm (9 volt) Price: £27.80p

3 WATT FM TRANSMITTER 3 WATT 85/115MHz varicap controlled. professional performance. Range up to 3 miles 35 x 84 x 12 mm (12 volt) Price: £12.49p

SINGLE CHANNEL RADIO CONTROLLED TRANSMITTER/RECEIVER 27MHz Range up to 500 metres. Double coded modulation. Receiver output operates relay with 2amp/240 volt contacts. Ideal for many applications. Receiver 90 x 70 x 22 mm (9/12 volt) Price: £16.49 Transmitter 80 x 50 x 15 mm (9/12 volt) Price £10.29 P&P All Kits +50p. S.A.E. for complete list.



3 watt FM Transmitter

BSR P256 TURNTABLE

P256 turntable chassis ● S shaped tone arm ● Belt driven ● Aluminium platter ● Precision calibrated counter balance ● Anti-skate (bias device) ● Damped cueing lever ● 240 volt AC operation (1Hz) ● Cut-out template supplied ● Completely manual arm. This deck has a completely manual arm and is designed primarily for disco and studio use where all the advantages of a manual arm are required.

Price £31.35 each. £2.50 P&P



LOUDSPEAKERS POWER RANGE

THREE QUALITY POWER LOUD-SPEAKERS (15", 12" and 8" See 'Photo'). Ideal for both Hi-Fi and Disco applications. All units have attractive cast aluminium (ground finish) fixing escutcheons. Specification and Prices:
15" 100 watt R.M.S. Impedance 8 ohms. 50 oz. magnet. 2" aluminium voice coil. Res. Freq. 20 Hz. Freq. Resp. to 2.5KHz. Sens. 97dB. Price: £34.00 each + £3.00 P&P
12" 100 watt R.M.S. Impedance 8 ohms. 50 oz. magnet. 2" aluminium voice coil. Res. Freq. 25Hz. Freq. Resp. to 4 KHz. Sens. 95dB. Price: £24.50 each + £3.00 P&P
8" 50 watt R.M.S. Impedance 8 ohms. 20 oz. magnet. 1 1/2" aluminium voice coil. Res. Freq. 40Hz. Freq. Resp. to 6 KHz. Sens. 92dB. Black Cone. Price: £9.50 each. Also available with black protective grille Price: £9.99 each P&P £1.50.



12" 85 watt R.M.S. McKENZIE C1285GP (LEAD GUITAR, KEYBOARD, DISCO) 2" aluminium voice coil, aluminium centre dome, 8 ohm imp., Res. Freq. 45Hz., Freq. Resp. to 6.5KHz., Sens. 98dB. Price: £23.00 + £3 carriage.
12" 85 watt R.M.S. McKENZIE C1285TC (P.A., DISCO) 2" aluminium voice coil. Twin cone. 8 ohm. imp., Res. Freq. 45Hz., Freq. Resp. to 14KHz. Price £23 + £3 carriage.
15" 150 watt R.M.S. McKENZIE C15 (BASS GUITAR, P.A.) 3" aluminium voice coil. Die-cast chassis. 8 ohm imp., Res. Freq. 40Hz., Freq. Resp. to 4KHz. Price: £47 + £4 carriage.

OMP POWER AMPLIFIER MODULE READY BUILT



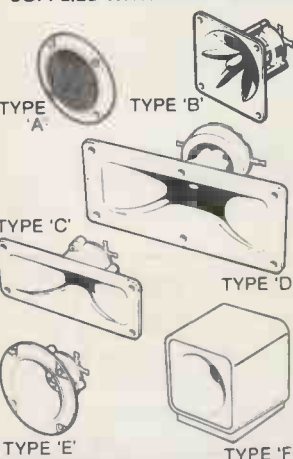
New model.
Improved specification

NEW OMP100 Mk.II POWER AMPLIFIER MODULE Power Amplifier Module complete with integral heat sink, toroidal transformer power supply and glass fibre p.c.b. assembly. Incorporates drive circuit to power a compatible LED Vu meter. New improved specification makes this amplifier ideal for P.A. Instrumental and Hi-Fi applications.
SPECIFICATION
Output Power:— 110 watts R.M.S.
Loads:— Open and short circuit proof 4/16 ohms.
Frequency Response:— 15Hz - 30KHz -3dB.
T.H.D.:— 0.01%
S.N.R. (Unweighted):— -118dB ±3.5dB
Sensitivity for Max Output:— 500mV @ 10K.
Size:— 360 x 115 x 72 mm Price:— £31.99 + £2.00 P&P. Vu Meter Price:— £7.00 + 50p P&P.

MOSFET versions available up to 300W. R.M.S.

PIEZO ELECTRIC TWEETERS - MOTOROLA

Join the Piezo revolution. The low dynamic mass (no voice coil) of a Piezo tweeter produces an improved transient response with a lower distortion level than ordinary dynamic tweeters. As a crossover is not required these units can be added to existing speaker systems of up to 100 watts (more if 2 put in series). FREE EXPLANATORY LEAFLETS SUPPLIED WITH EACH TWEETER.



TYPE 'A' (KSN2036A) 3" round with protective wire mesh, ideal for bookshelf and medium sized Hi-fi speakers. Price £4.29 each.

TYPE 'B' (KSN1005A) 3 1/2" super horn. For general purpose speakers, disco and P.A. systems etc. Price £4.99 each.

TYPE 'C' (KSN6016A) 2" x 5" wide dispersion horn. For quality Hi-fi systems and quality discos etc. Price £5.99 each.

TYPE 'D' (KSN1025A) 2" x 6" wide dispersion horn. Upper frequency response retained extending down to mid range (2KHz). Suitable for high quality Hi-fi systems and quality discos. Price £7.99 each.

TYPE 'E' (KSN1038A) 3 3/4" horn tweeter with attractive silver finish trim. Suitable for Hi-fi monitor systems etc. Price £4.99 each.

TYPE 'F' (KSN1057A) Cased version of type 'E'. Free standing satellite tweeter. Perfect add on tweeter for conventional loudspeaker systems. Price £10.75 each
P&P 20p ea. (or SAE for Piezo leaflets).

HOME PROTECTION SYSTEM

Better to be 'Alarmed' than terrified. Thandar's famous 'Minder' Burglar Alarm System. Superior microwave principle. Supplied as three units, complete with interconnection cable. FULLY GUARANTEED.

Control Unit — Houses microwave radar unit, range up to 15 metres adjustable by sensitivity control. Three position, key operated fascia switch — off — test — armed. 30 second exit and entry delay.

Indoor alarm — Electronic swept freq. siren. 104dB output.

Outdoor Alarm — Electronic swept freq. siren. 96dB output. Housed in a tamper-proof heavy duty metal case.

Both the control unit and outdoor alarm contain rechargeable batteries which provide full protection during mains failure. Power requirement 200/260 Volt AC 50/60Hz. Expandable with door sensors, panic buttons etc. Complete with instructions

SAVE £128 Usual price £228.85

BKE's PRICE £99.p8p£4
SAE for colour brochure



STEREO DISCO MIXER

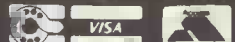
STEREO DISCO MIXER with 7 band graphic equaliser and 10 segment L.E.D. Vu Meters. Many outstanding features.
5 Inputs with individual fader controls:—
2 Mag. turntable, 2 Aux. plus Mic. with talk-over switch. Headphone monitor. Master output control with Hi-Low outputs. Compatible with our OMP Power Amplifiers.
Size: 360 x 200 x 120 mm. Supply 240V/50Hz AC.



Price £99.99 + £3.00 P&P.

B.K. ELECTRONICS

UNIT 5, COMET WAY, SOUTHEND-ON-SEA, ESSEX, SS2 6TR



★ SAE for current lists. ★ Official orders welcome. ★ All prices include VAT. ★ Sales Counter. ★
★ All items packed where applicable in special energy absorbing PU foam. ★ Please phone 0702 527572 ★

Full-travel, full size

KEYBOARD

Simply plugs into expansion port on your

SPECTRUM



KIT ONLY
£39.95
READY-BUILT
£44.95

Case Included in both prices

- * Single-key selection of all major multi-key functions.
- * Plugs directly into Spectrum expansion port and extends port for other peripherals.
- * Can accept Atari-type joysticks (optional extra).
- * Absolutely no soldering or dismantling of Spectrum.
- * Available in kit-form or ready-built.

The kit is sold in three parts — the Keyboard Main Kit which allows you to make your own arrangements for connection to the Spectrum — the Adaptor Kit which contains the extension board and socket for the expansion port and the cable between the

extension board and the keyboard — and the Case Kit which includes all the necessary mounting hardware.

- Order As **LK29G (Keyboard Main Kit)** Price **£28.50**
LK30H (Adaptor Kit) Price **£6.50**
XG35Q (Case) Price **£4.95**

Full construction details in Projects Book 9.

Also available ready-built for direct connection and including case.

- Order As **XG36P (Spectrum Keyboard)** Price **£44.95**

Maplin's Fantastic Projects

Full details in our project books. Price 70p each.

In Book 1 (XA01B) 120W rms MOSFET Combo-Amplifier • Universal Timer with 18 program times and 4 outputs • Temperature Gauge • Six Vero Projects.

In Book 2 (XA02C) Home Security System • Train Controller for 14 trains on one circuit • Stopwatch with multiple modes • Miles-per-Gallon Meter.

In Book 3 (XA03D) ZX81 Keyboard with electronics • Stereo 25W MOSFET Amplifier • Doppler Radar Intruder Detector • Remote Control for Train Controller.

In Book 4 (XA04E) Telephone Exchange for 16 extensions • Frequency Counter 10Hz to 600 MHz • Ultrasonic Intruder Detector • I/O Port for ZX81 • Car Burglar Alarm • Remote Control for 25W Stereo Amp.

In Book 5 (XA05F) Modem to European standard • 100W 240V AC



Inverter • Sounds Generator for ZX81 • Central Heating Controller • Panic Button for Home Security System • Model Train Projects • Timer for External Sounder.

In Book 6 (XA06G) Speech Synthesiser for ZX81 & VIC20 • Module to Bridge two of our MOSFET amps to make a 350W Amp • ZX81 Sound on your TV • Scratch Filter • Damp Meter • Four Simple Projects

In Book 7 (XA07H) Modem (RS232) Interface for ZX81/VIC20 • Digital Enlarger Timer/Controller • DXers Audio Processor • Sweep Oscillator • CMOS Crystal Calibrator.

In Book 8 (XA08J) Modem (RS232) Interface for Dragon and Spectrum • Synchime • I/O Ports for Dragon • Electronic Lock • Minilab Power Supply • Logic Probe • Doorbell for the Deaf.

In Book 9 (XA09K) Keyboard with electronics for ZX Spectrum • Infra-Red Intruder Detector • Multimeter to Frequency Meter Converter • FM

Radio with no alignment • Hi-Res Graphics for ZX81 • Speech Synthesiser for Oric • VIC Extenderboard • ZX81 ExtenderRAM • Dynamic Noise Limiter for Personal Cassette Players • TTL Levels to Modem/RS232 Converter • Logic Pulser • Psuedo-Stereo AM Radio • Ni-Cad Charger Timer • Adder-Subtractor • Syndrums' Interface • Microphone Pre-Amp Limiter.

THE MAPLIN MODEM KIT

Exchange programs with friends, leave or read messages from the various Billboard services, talk to computer bureaux, or place orders and check stock levels on Maplin's Cashtel



service. A Maplin Modem will bring a whole new world to your computer and vastly increase its potential.

Now you can exchange data with any other computer using a 300 baud European standard (CCITT) modem and because the Maplin Modem uses this standard, you could talk to any one of tens of thousands of existing users.

Some computers need an interface and we have kits for the ZX81, VIC20/Commodore 64, Dragon and Spectrum and shortly Atari, whilst the BBC needs only a short program which is listed in Projects Book 8.

A Maplin Modem will add a new dimension to your hobby.

Order As **LW99H (Modem Kit) excluding case. Price £39.95.**

YK62S (Modem Case) Price £9.95.

Full construction details in Projects Book 5.

1984 CATALOGUE

A massive 480 big pages of description, pictures and data and now with prices on the page. The new Maplin catalogue is the one book no constructor should be without. Now includes new Heathkit section. On sale in all branches of W.H. Smith. Price £1.35 — It's incredible value for money. Or send £1.65 (including p & p) to our mail-order address.

Great Projects From E&MM

Our book "Best of E&MM Projects Vol. 1" brings together 21 fascinating and novel projects from E&MM's first Year.

Projects include Harmony Generator, Guitar Tuner, Hexadrum, Syntom, Auto Swell, Partylite, Car Aerial Booster, MOS-FET Amp and other musical, hi-fi and car projects. Order As **XH61R, Price £1.**

Post this coupon now for your copy of the 1984 catalogue. Price £1.35 + 30p post and packaging. If you live outside the U.K. send £2.20 or 11 International Reply Coupons. I enclose £1.65

Name:

Address:



EE284

MAPLIN ELECTRONIC SUPPLIES LTD

Mail Order: P.O. Box 3, Rayleigh, Essex SS6 8LR. Tel: Southend (0702) 552911 • Shops at: 159-161 King Street, Hammersmith, London W6. Tel: 01-748-0926. • 8 Oxford Road, Manchester. Tel: 061-236-0281. • Lynton Square, Perry Barr, Birmingham. Tel: 021-356-7292. • 282-284 London Road, Westcliff-on-Sea, Essex. Tel: 0702 554000. • 46-48 Bevois Valley Road, Southampton. Tel: 0703 25831.

All shops closed all day Monday.

All prices include VAT and carriage. Please add 50p handling charge to orders under £5 total value (except catalogue).