

Figure F

FIGURE A. TI-99/4A SYSTEM BLOCK DIAGRAM

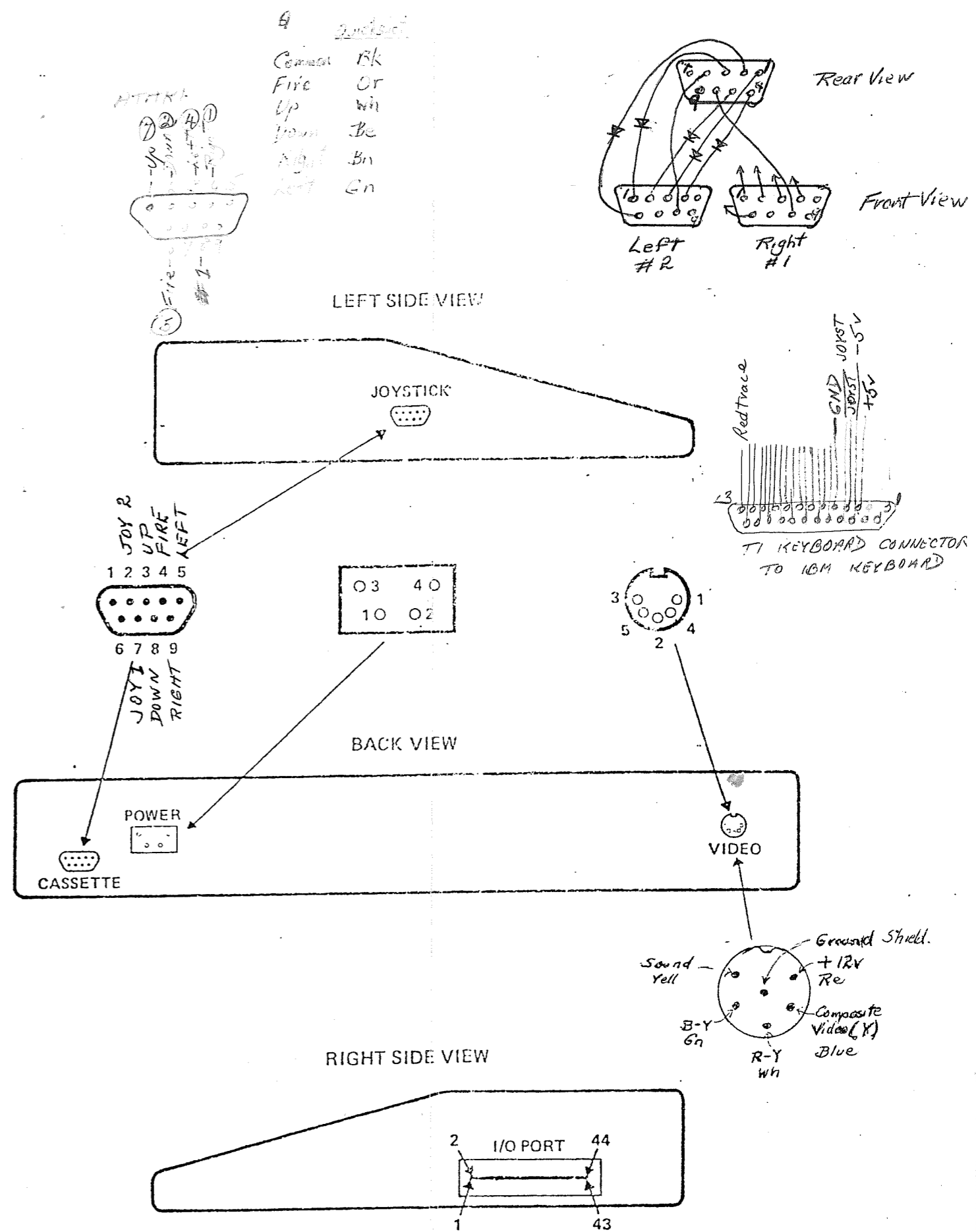
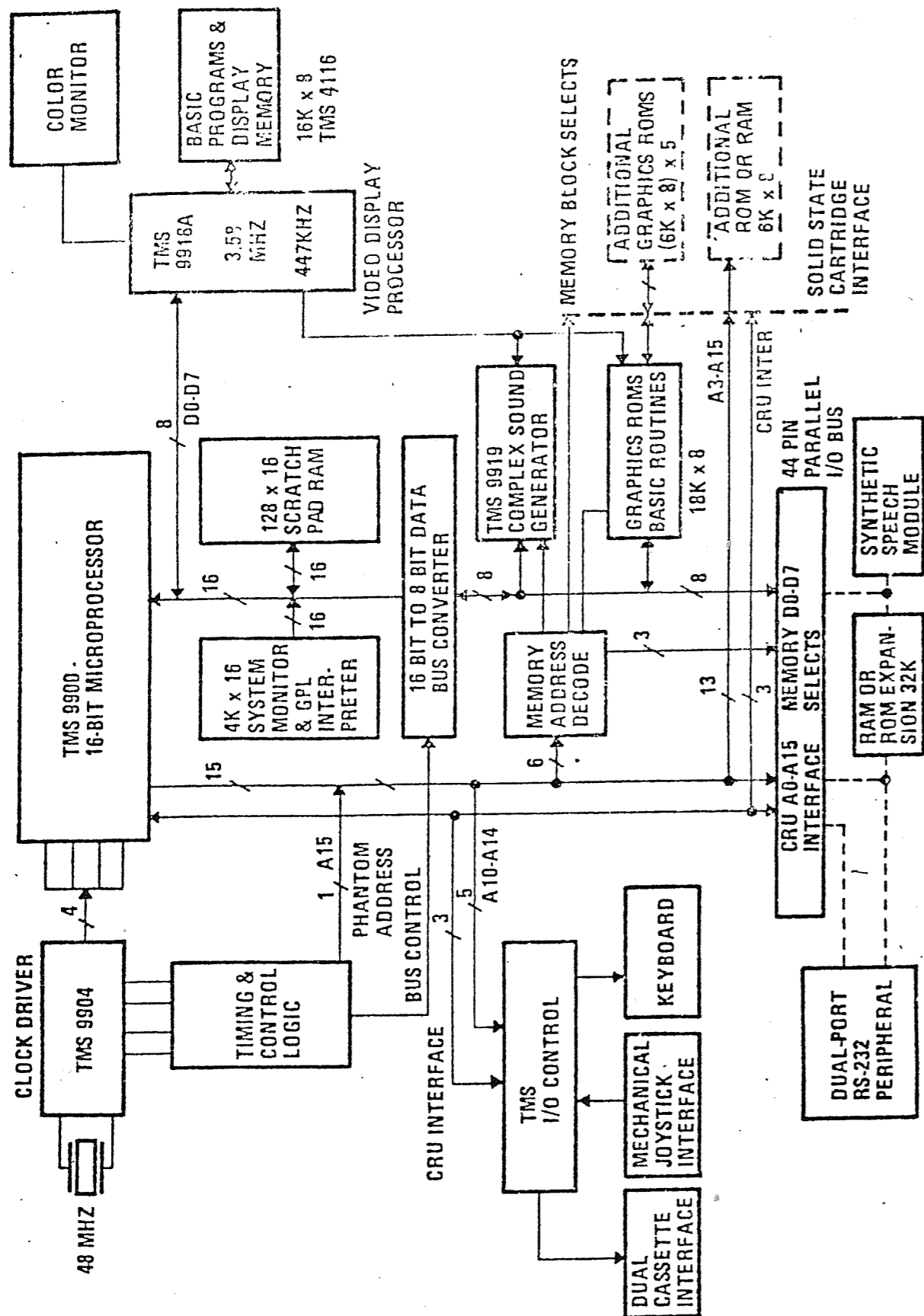
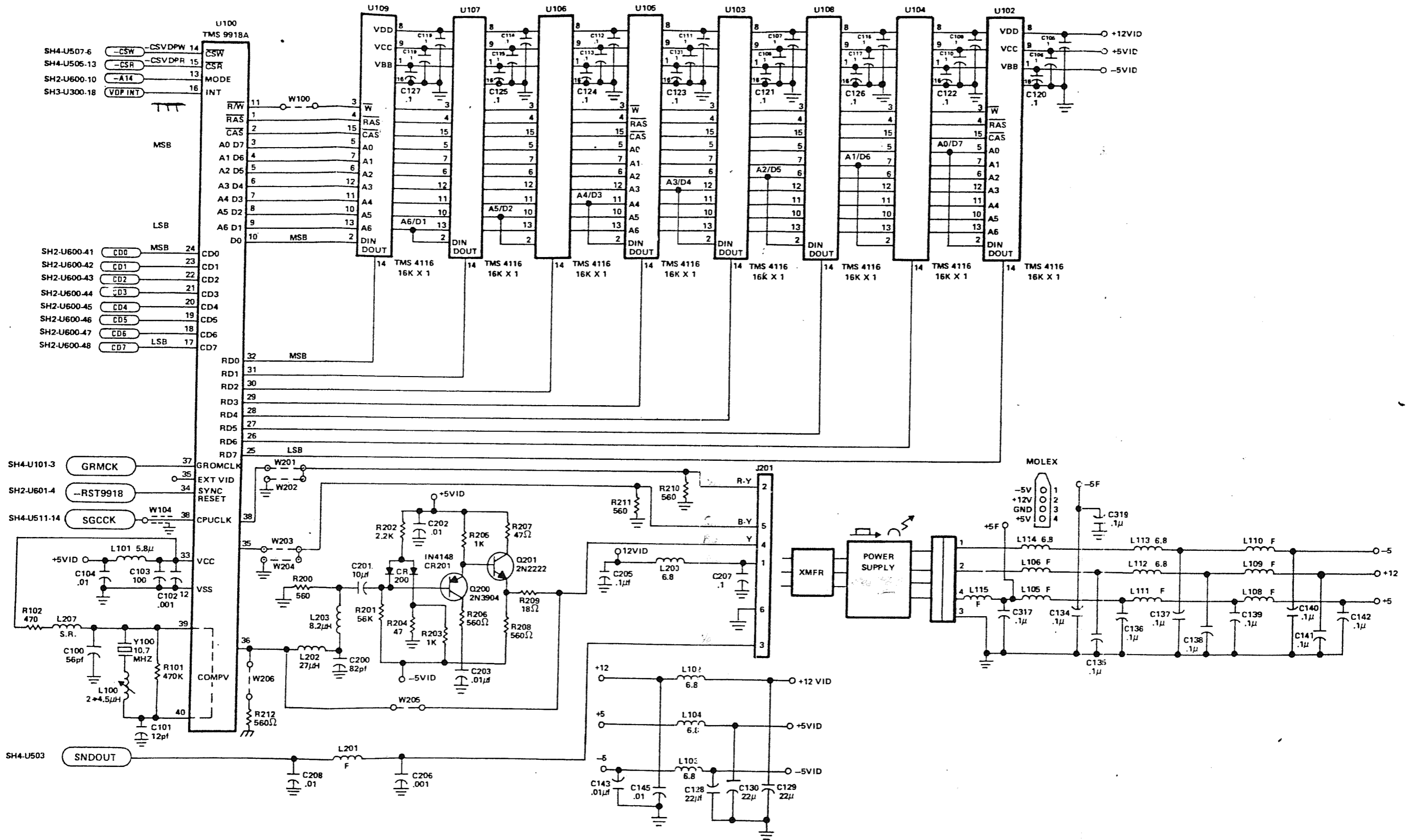
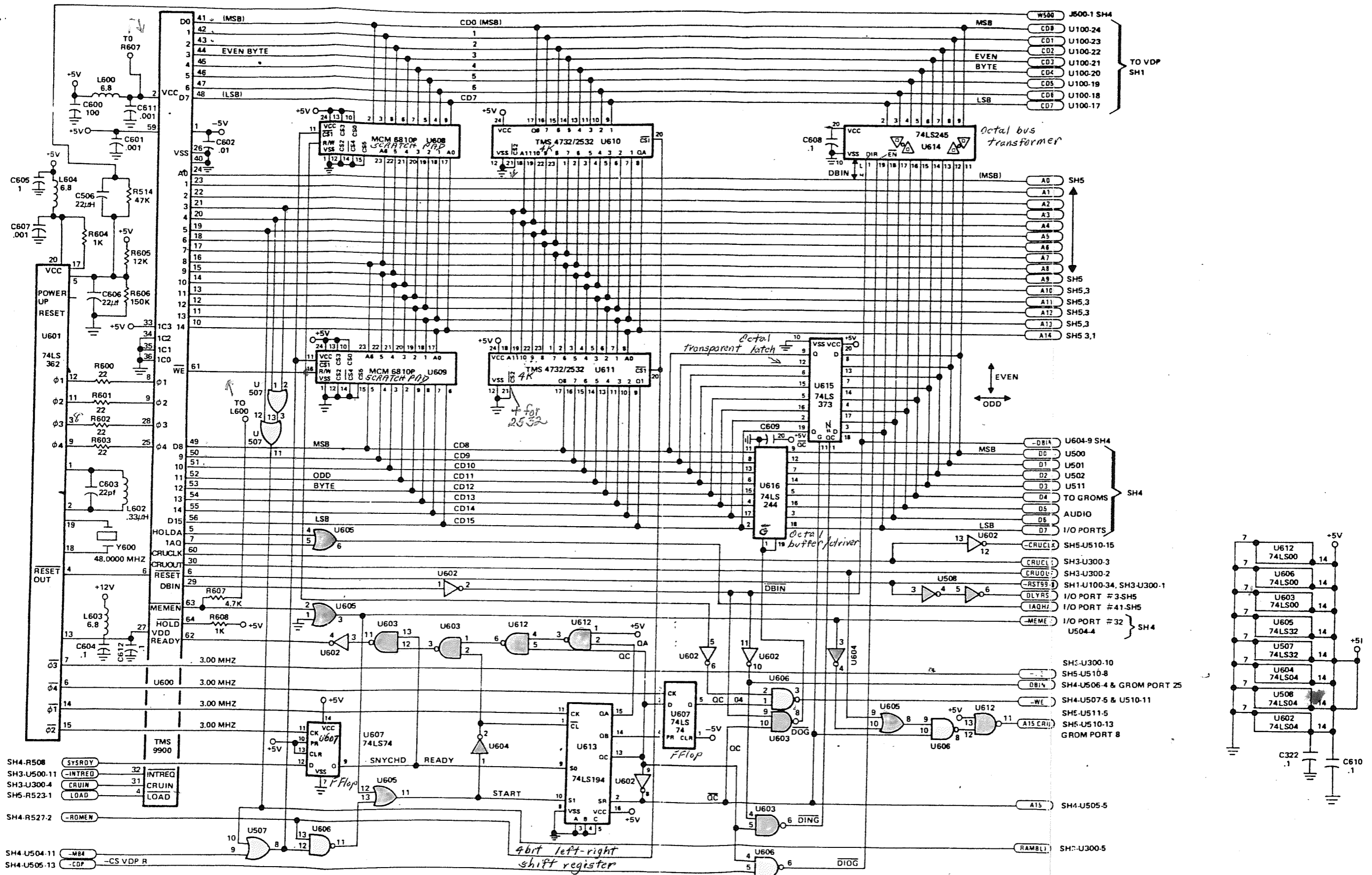
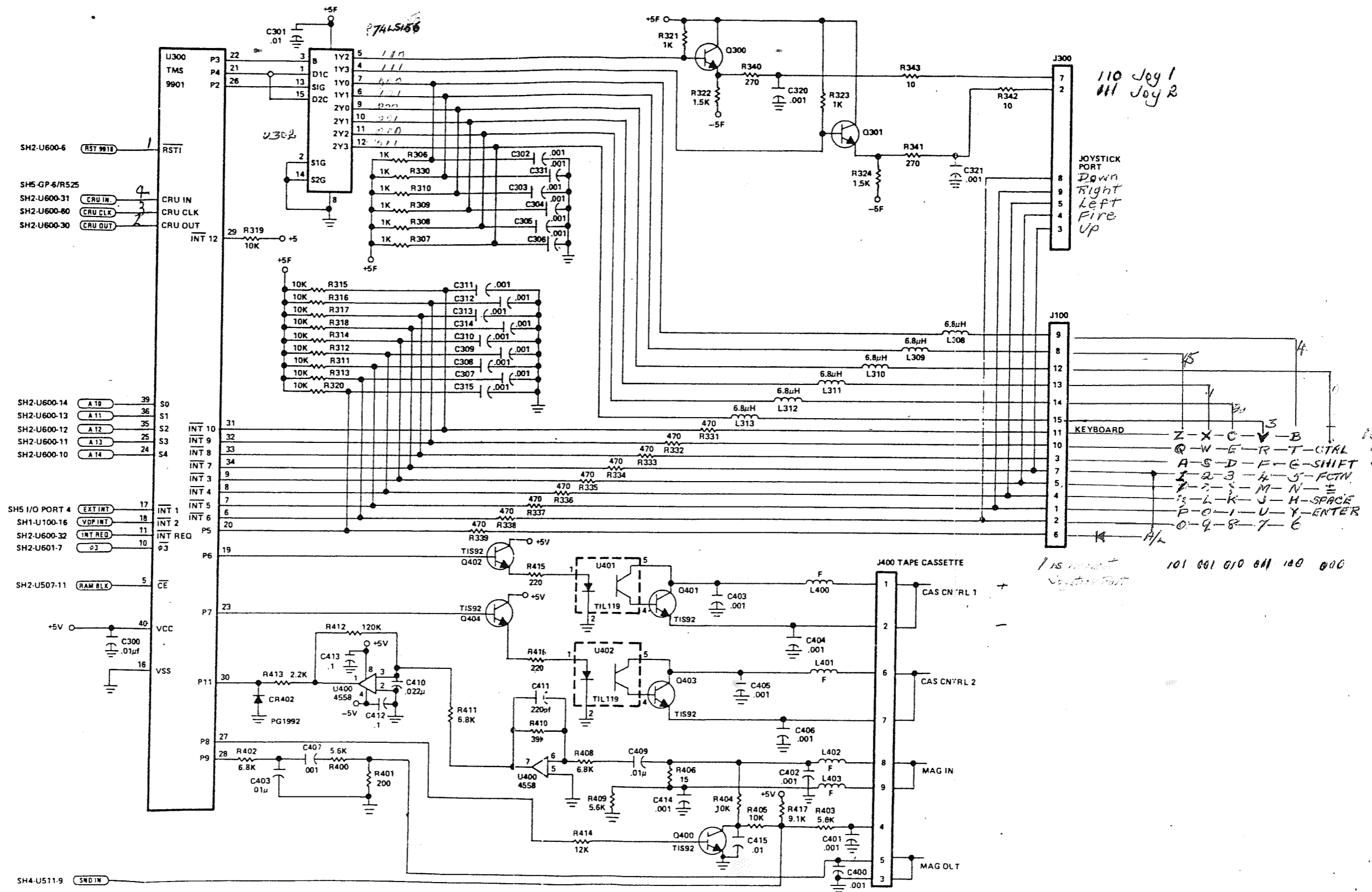


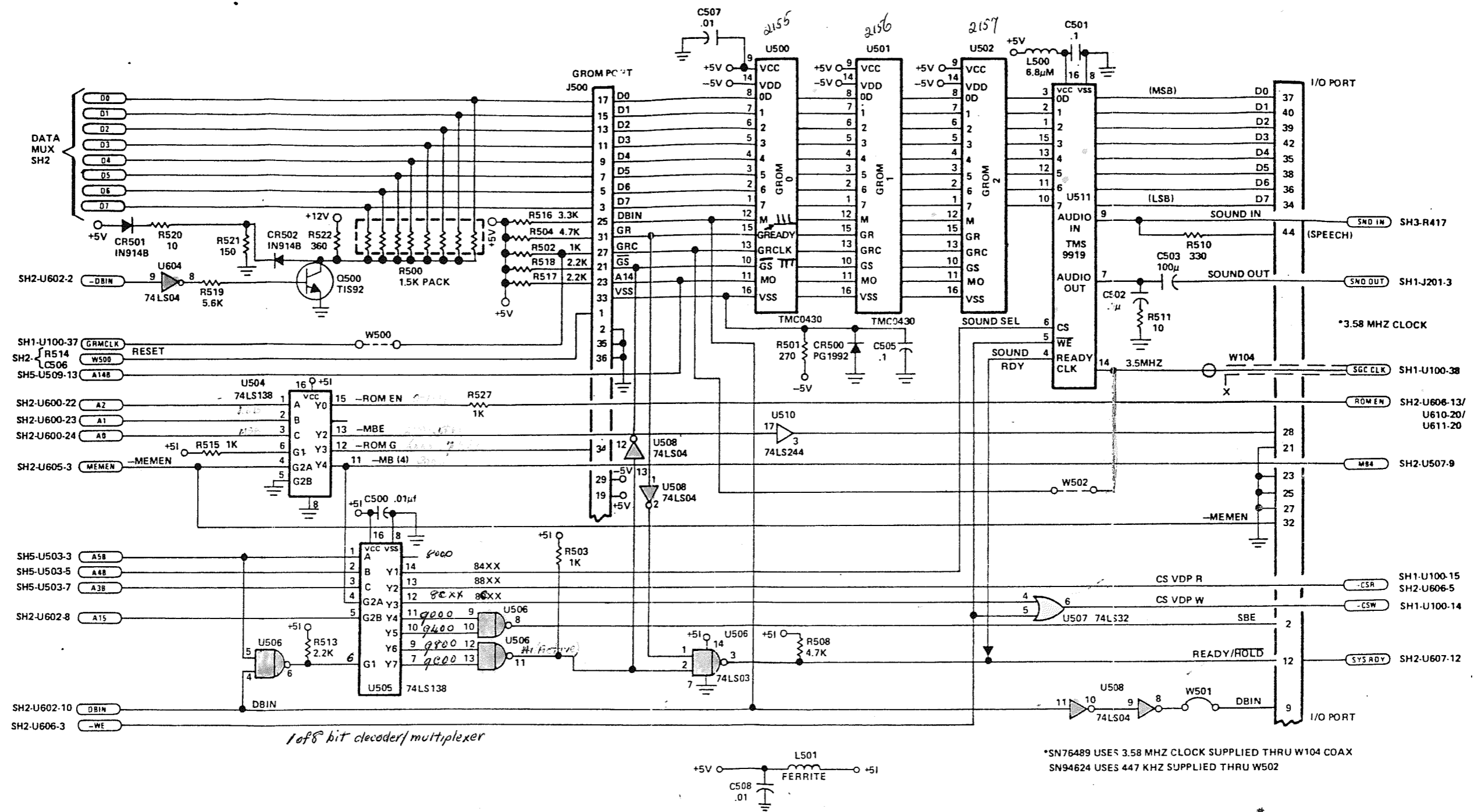
FIGURE E. CONNECTOR PIN IDENTIFICATION DIAGRAM

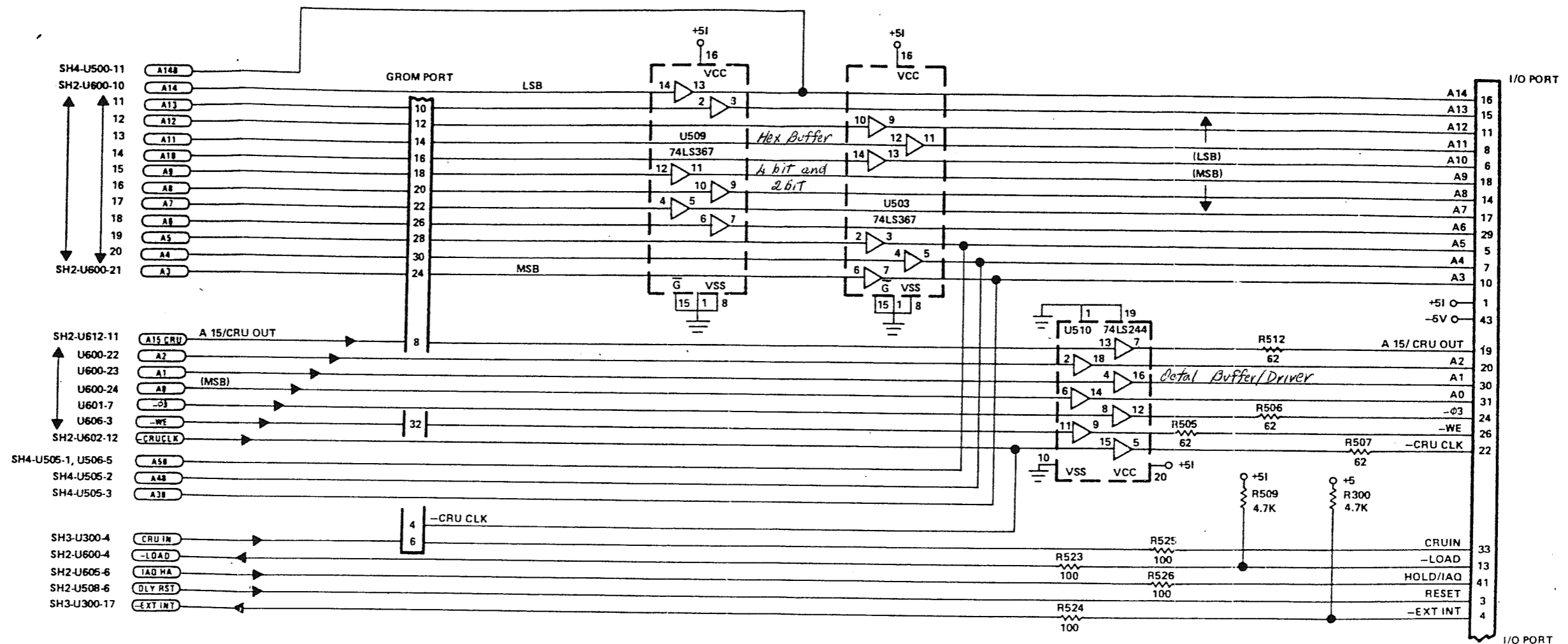


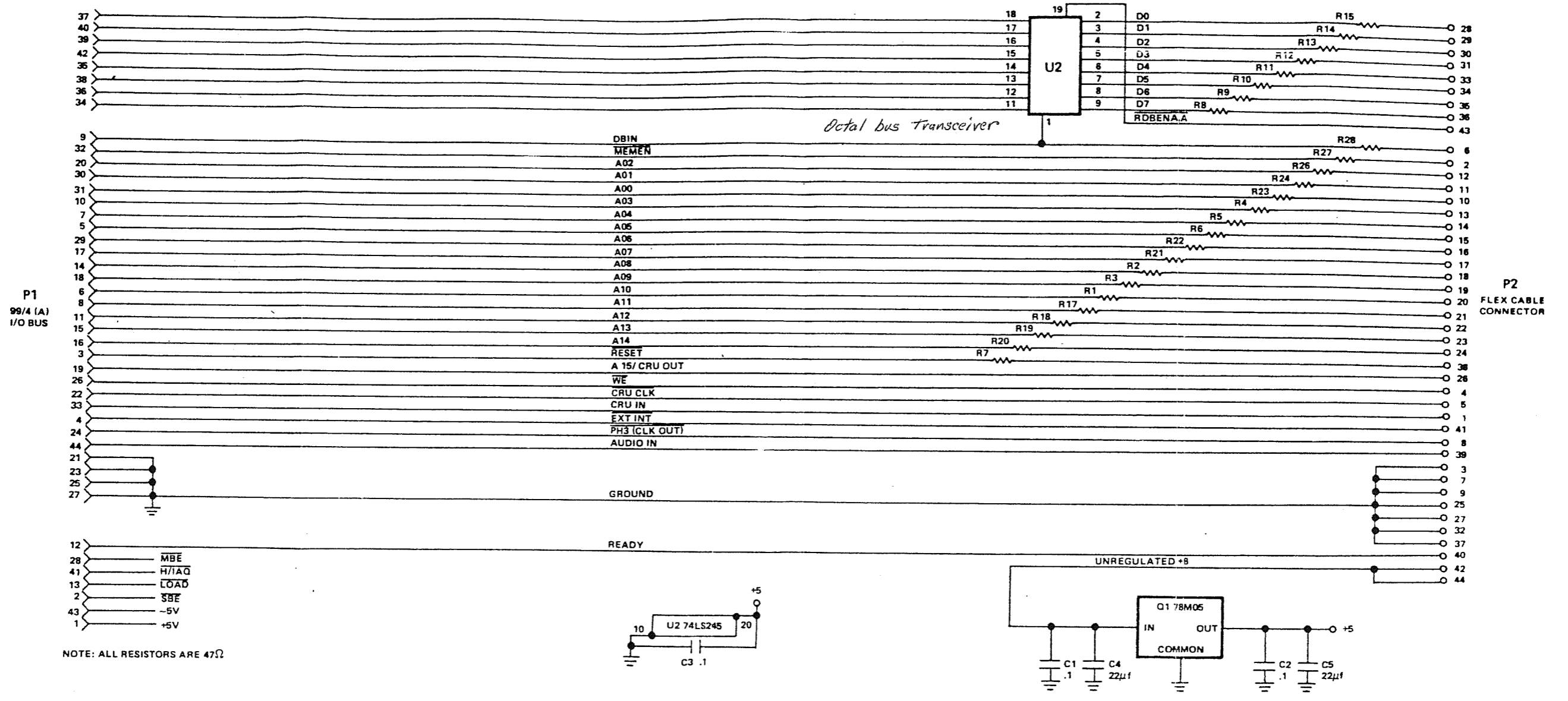
TI-99/4A SCHEMATIC DIAGRAM
 (A) VDP/MEMORY 9918A & 4116A
 (B) VIDEO & AUDIO OUTPUTS

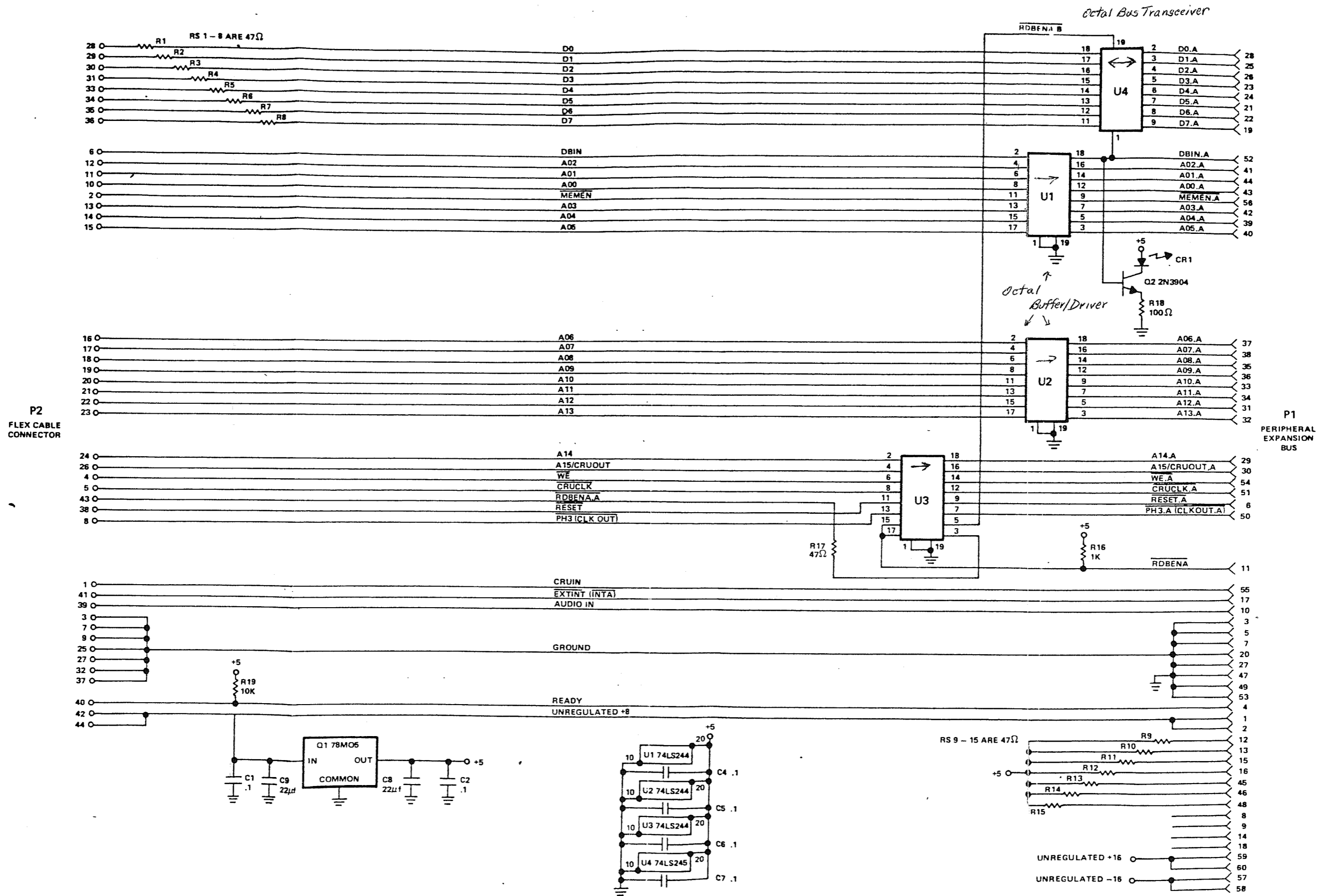


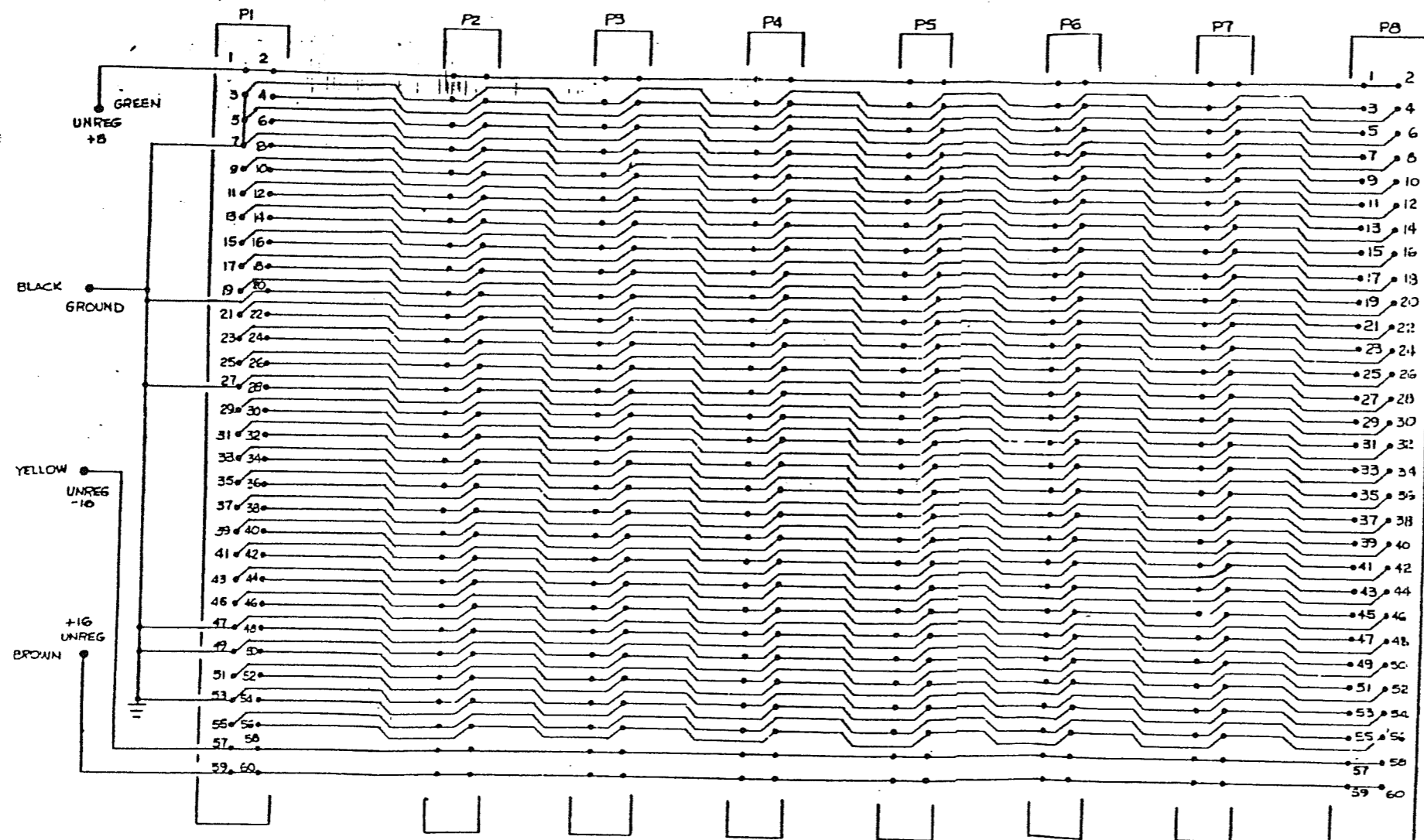








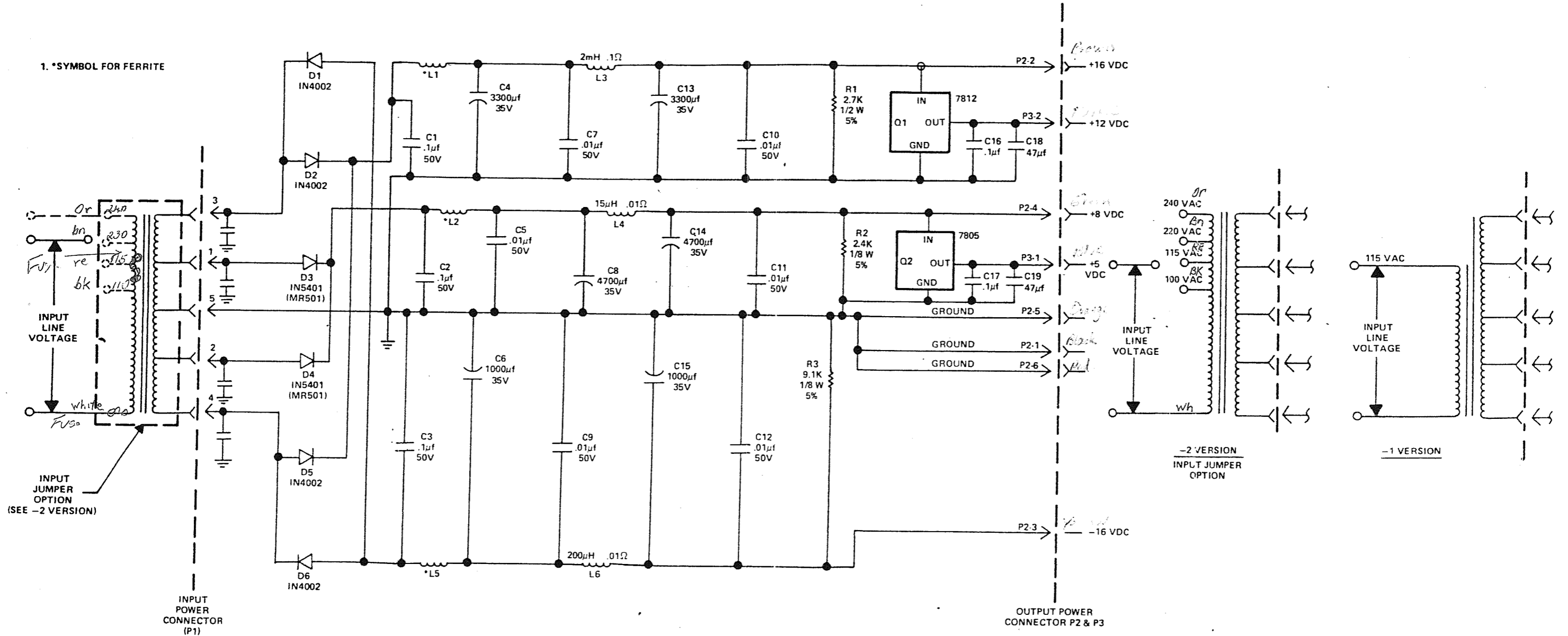




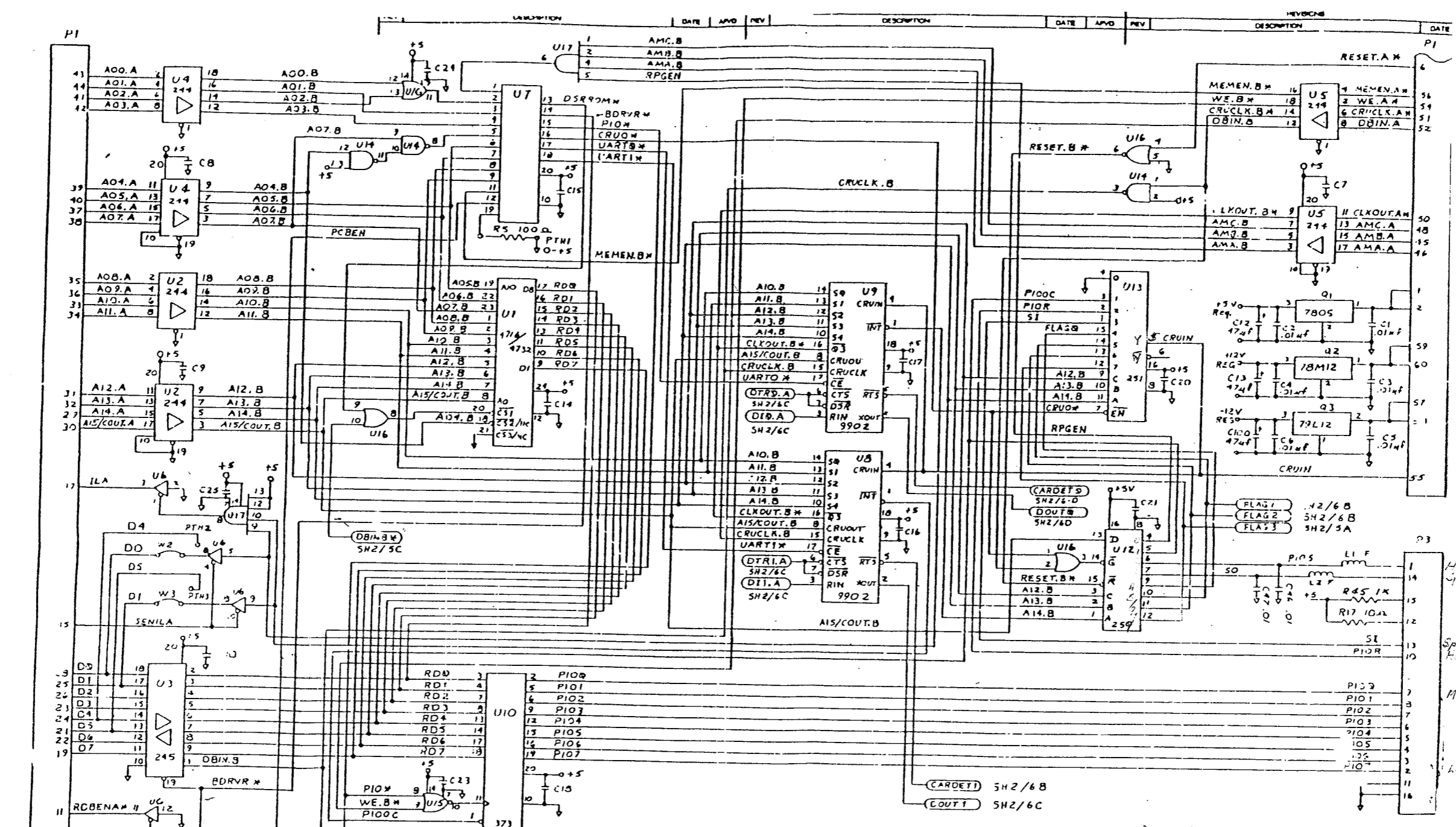
PERIPHERAL BACK PLANE

DIMENSION IDENT. NUMBER		ITEM NO.	PART NUMBER	DESCRIPTION	MATERIAL
USED	NOT USED				
			360		
		NEXT REV	USED ON		
		APPLICATION			

PARTS LIST		DATE	
PR	2-17-82		
<i>John A. Johnson</i> <i>John A. Johnson</i>		SCHEMATIC PROJECT	
7326006		NCNE	



Also see P32



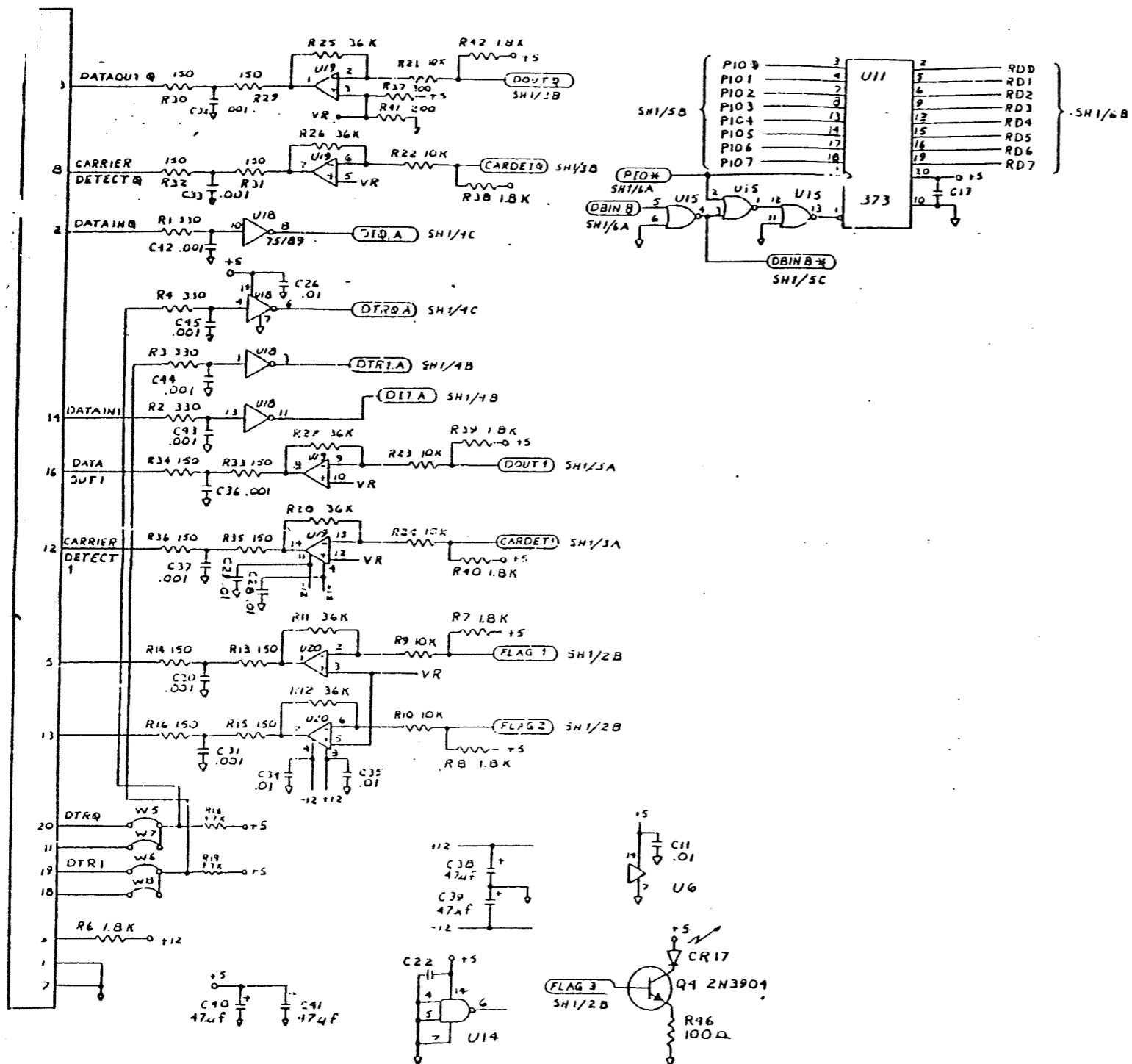
Handshake Out
Spare Input bit
Handshake In

PI05
PI04
PI03
PI02
PI01
PI00

PI07
PI06
PI05
PI04
PI03
PI02
PI01
PI00

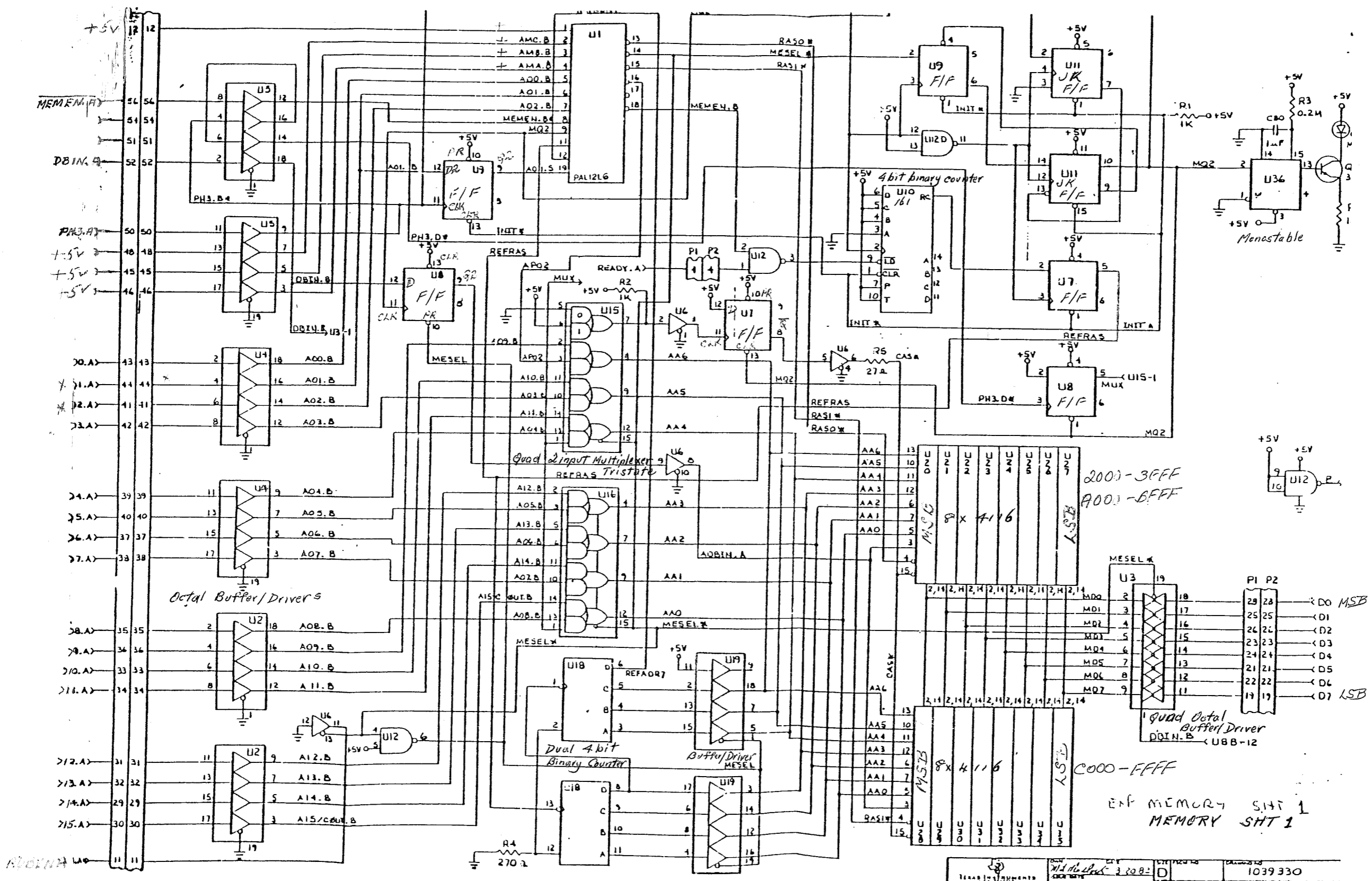
PI07
PI06
PI05
PI04
PI03
PI02
PI01
PI00

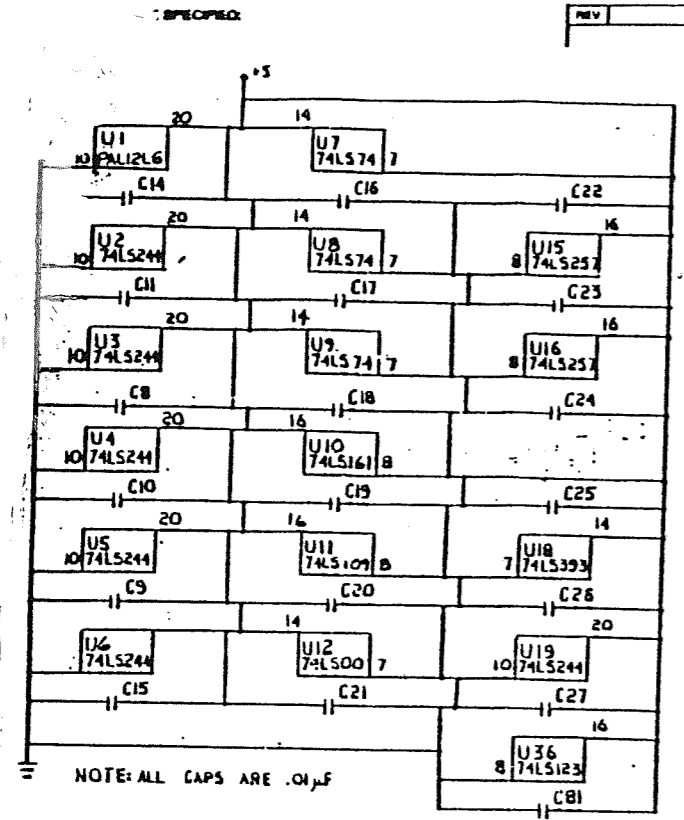
RS232 CARD SHT 1.



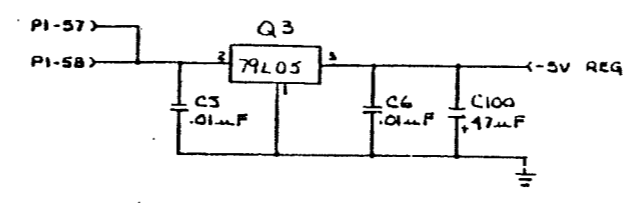
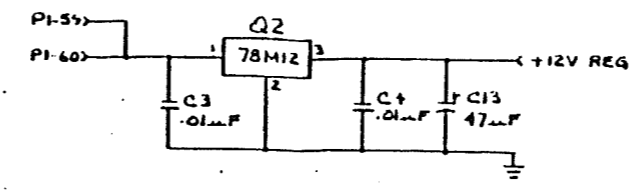
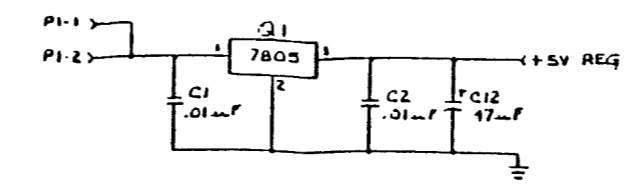
RS232 CARD SHTR
 RS232 BOARD SHTR

DIMENSIONS - AT NAMEP	
USED	NOT USED

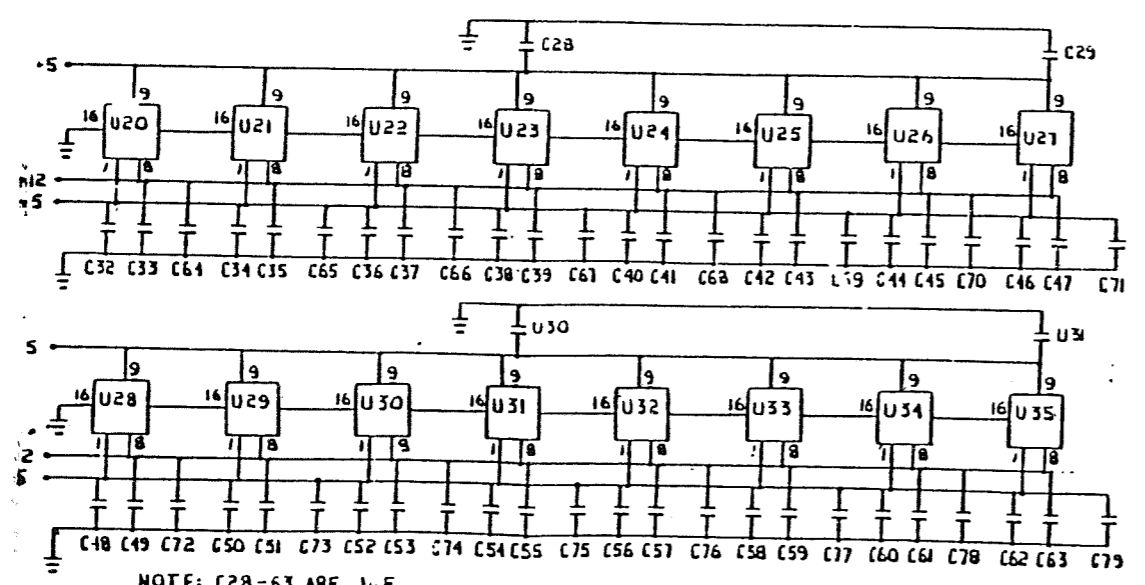




TTL POWER

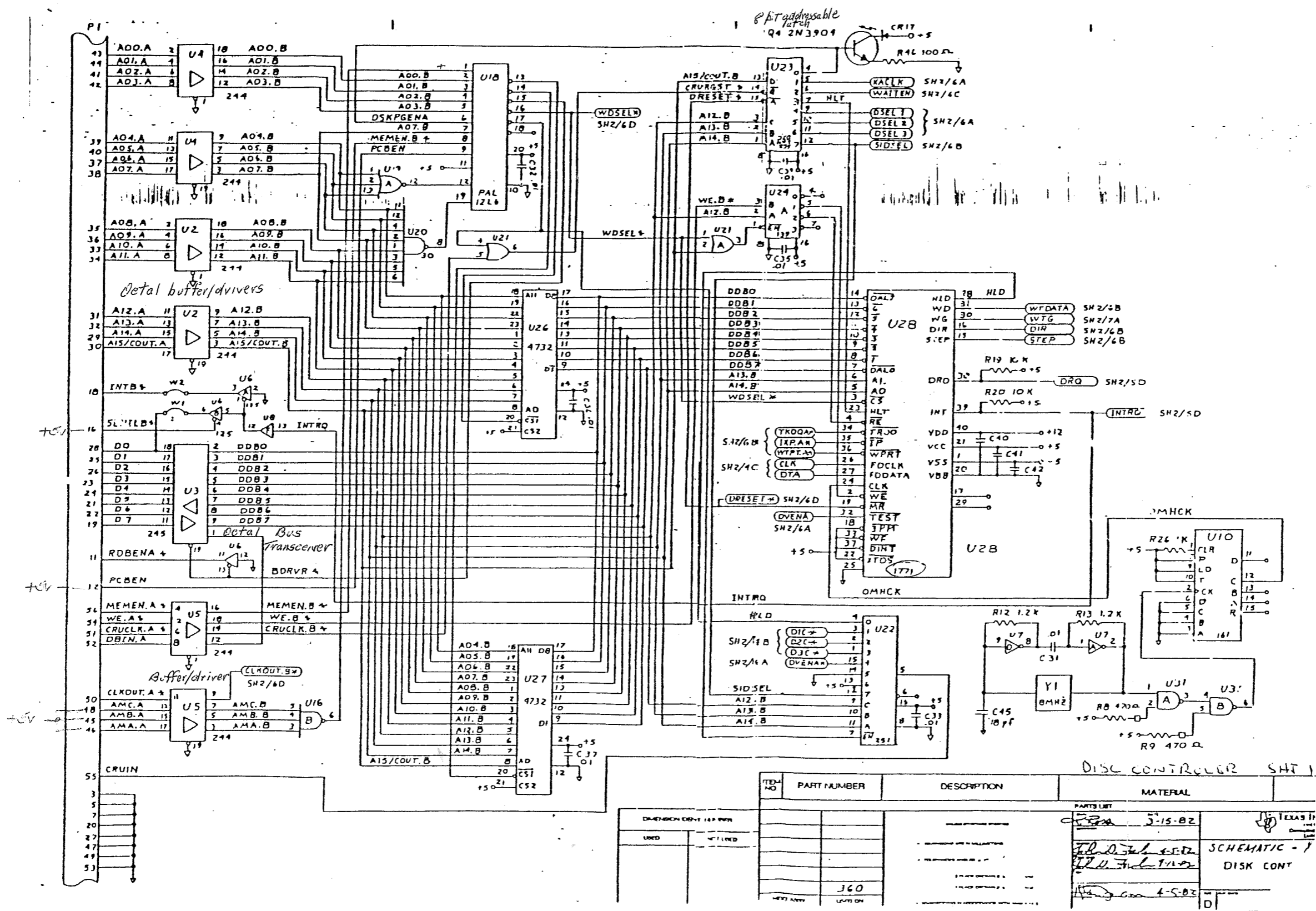


REV	DESCRIPTION	DATE	APPROV	REV	DESCRIPTION	DATE	APPROV
A	NO ECN - <i>W.L. Madrak</i> 3-22-82				REDEW SCHEMATIC.		
FORMAL RELEASE							
B	ECN 102986 <i>John B...</i> 7-6-82				1) CHANGED U1 TO A PAL12L6		



TMS 4116 POWER

ITEM NO.	PART NUMBER	DESCRIPTION	MATERIAL	REMARKS
EXPANSION MEMORY SIT 2 Power				
PARTS LIST			PARTS LIST	
771 Madrak 3-22-82			TEXAS INSTRUMENTS	
360			SCHEMATIC PCB	
NEXT ASST			PROJ. 360	
APPROV			MEMORY EXPAN.-JOHNNY B...	
4-5-82			1039330	



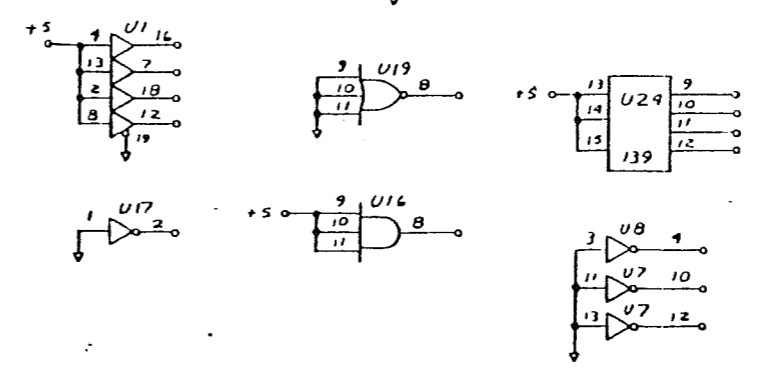
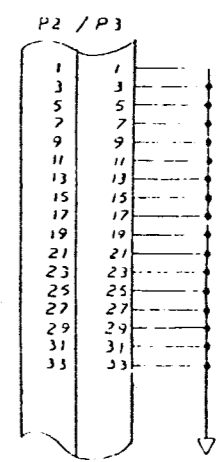
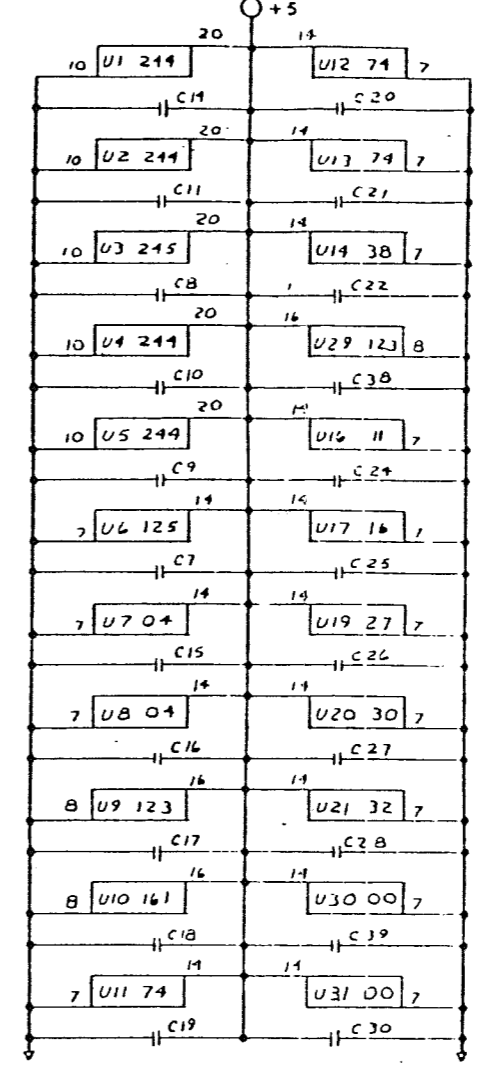
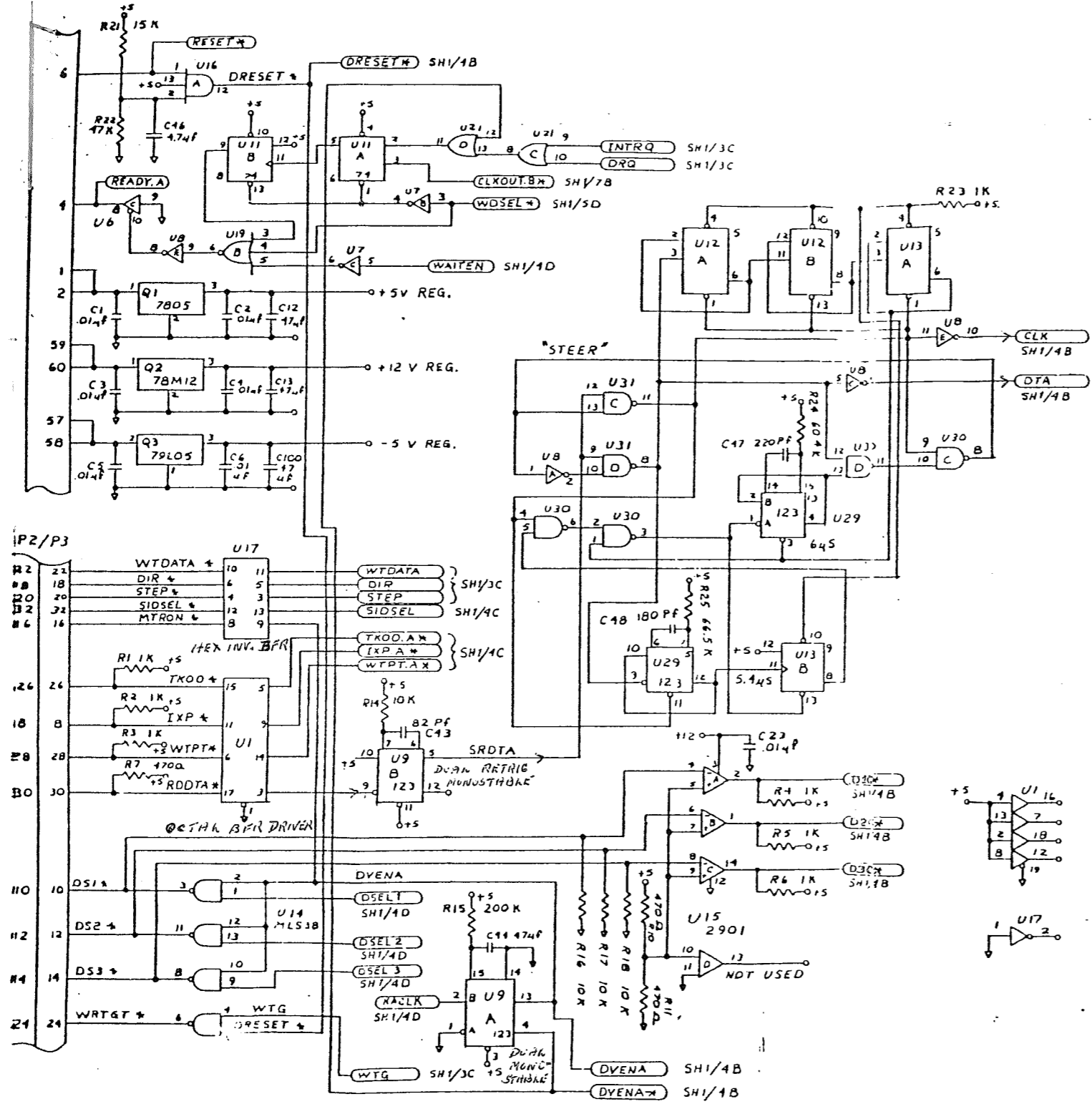
DISK CONTROLLER SHT 1

ITEM NO	PART NUMBER	DESCRIPTION	MATERIAL
1	U18	PAL 12L6	
2	U26	74181	
3	U4, U5, U20, U21, U23, U24	74139	
4	U27	74177	
5	U31	74173	
6	U32, U33, U34, U35, U36, U37, U38, U39, U40, U41, U42, U43, U44, U45, U46, U47, U48, U49, U50, U51, U52, U53, U54, U55, U56, U57, U58, U59, U60, U61, U62, U63, U64, U65, U66, U67, U68, U69, U70, U71, U72, U73, U74, U75, U76, U77, U78, U79, U80, U81, U82, U83, U84, U85, U86, U87, U88, U89, U90, U91, U92, U93, U94, U95, U96, U97, U98, U99, U100	74138	
7	R19, R20, R26, R8, R9	Resistors	
8	C31, C32, C33, C34, C35, C37, C40, C41, C42, C45	Capacitors	
9	Y1	Oscillator	

DISK CONTROLLER SHT 1

SCHEMATIC - 1
DISK CONT

NOTE: ALL OF THE FIGURE BELOW IS 74LS SERIES TTL. ALL CAPS ARE 0.01µF.



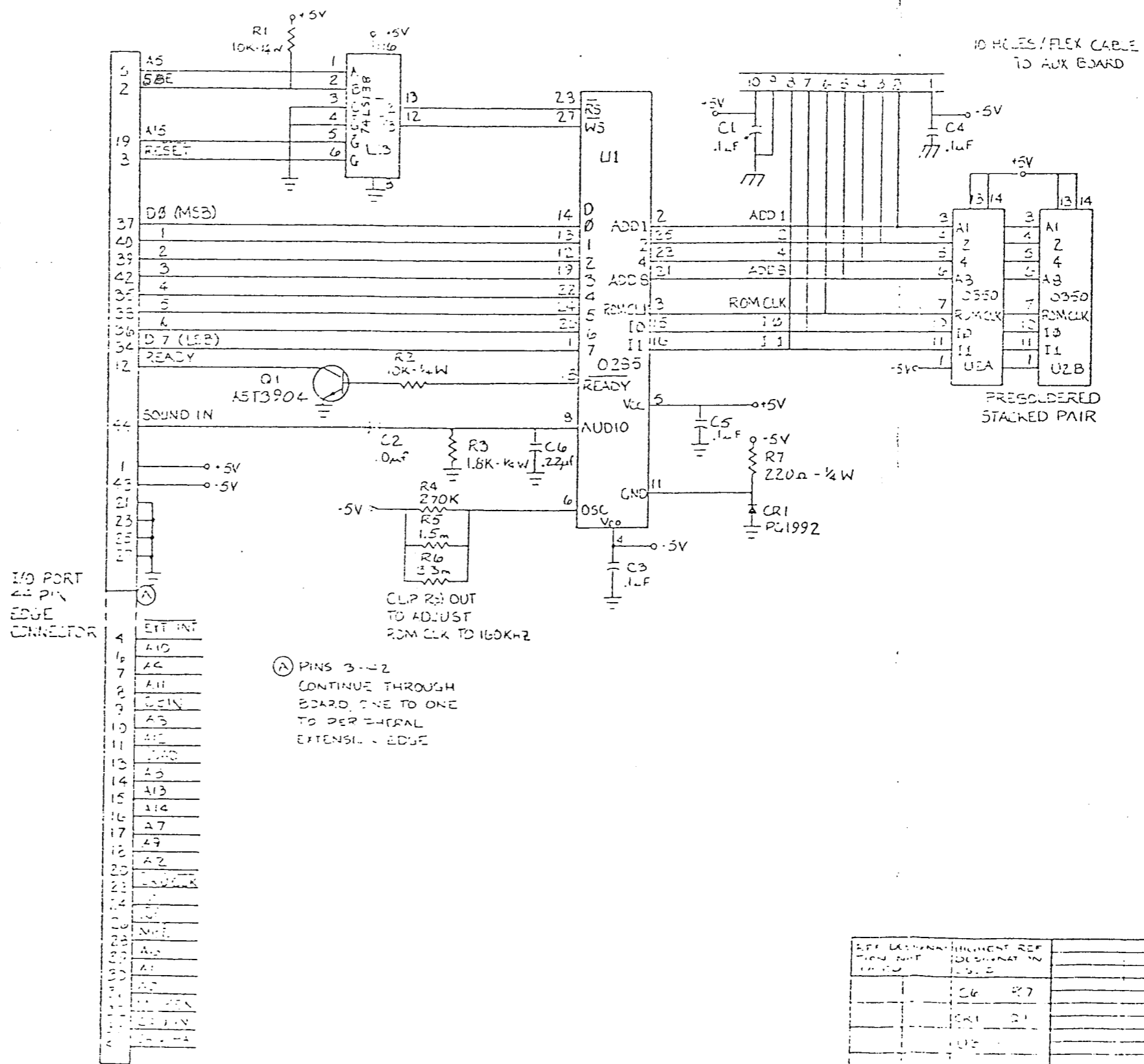
DISK CONT. SHIT 2

DIMENSION IDENT NUMBER	
USED	NOT USED

TEXAS INSTRUMENTS
 3-15-82
 1039340
 PART 2 OF 2

8 7 6 5 4 3

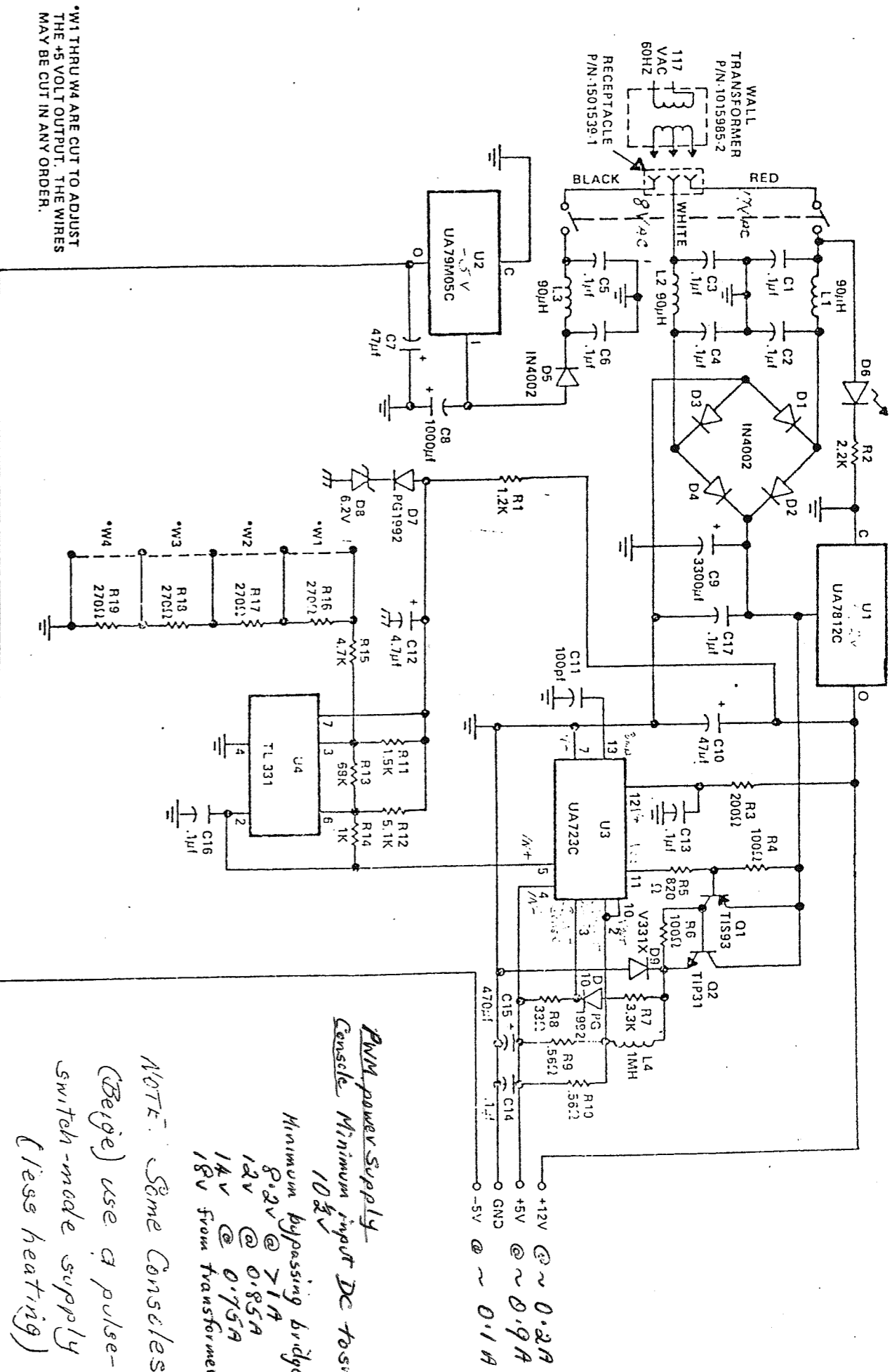
TEST UNLESS OTHERWISE SPECIFIED
UNLESS PINS NOT SHOWN ARE N.C.



I/O PORT
44 PIN
EDGE
CONNECTOR

4	EXT INT
6	A10
7	A6
8	A11
9	CEIN
10	A5
11	A12
13	A3
14	A13
15	A14
16	A7
18	A2
20	ROMCLK
21	
22	
23	
24	
25	
26	
27	
28	
29	A4
30	A1
31	A8
32	CEIN
33	
34	

REF. DESIGNATION	QUANTITY	ILLUSTRATION REF. DESIGNATION	DESCRIPTION
C6	27		
CR1	21		
U1	1		
U2	1		
U3	1		
U4	1		
U5	1		
U6	1		
U7	1		
U8	1		
U9	1		
U10	1		
U11	1		
U12	1		
U13	1		
U14	1		
U15	1		
U16	1		
U17	1		
U18	1		
U19	1		
U20	1		
U21	1		
U22	1		
U23	1		
U24	1		
U25	1		
U26	1		
U27	1		
U28	1		
U29	1		
U30	1		
U31	1		
U32	1		
U33	1		
U34	1		
U35	1		
U36	1		
U37	1		
U38	1		
U39	1		
U40	1		
U41	1		
U42	1		
U43	1		
U44	1		
U45	1		
U46	1		
U47	1		
U48	1		
U49	1		
U50	1		
U51	1		
U52	1		
U53	1		
U54	1		
U55	1		
U56	1		
U57	1		
U58	1		
U59	1		
U60	1		
U61	1		
U62	1		
U63	1		
U64	1		
U65	1		
U66	1		
U67	1		
U68	1		
U69	1		
U70	1		
U71	1		
U72	1		
U73	1		
U74	1		
U75	1		
U76	1		
U77	1		
U78	1		
U79	1		
U80	1		
U81	1		
U82	1		
U83	1		
U84	1		
U85	1		
U86	1		
U87	1		
U88	1		
U89	1		
U90	1		
U91	1		
U92	1		
U93	1		
U94	1		
U95	1		
U96	1		
U97	1		
U98	1		
U99	1		
U100	1		



*W1 THRU W4 ARE CUT TO ADJUST THE +5 VOLT OUTPUT. THE WIRES MAY BE CUT IN ANY ORDER.

FIGURE G. TI-99/4A CONSOLE POWER SUPPLY

*PWM power supply
Console Minimum input DC to switch
10 &V*

Minimum bypassing bridge rectifier

8.2V @ 71A

12V @ 0.85A

14V @ 0.75A

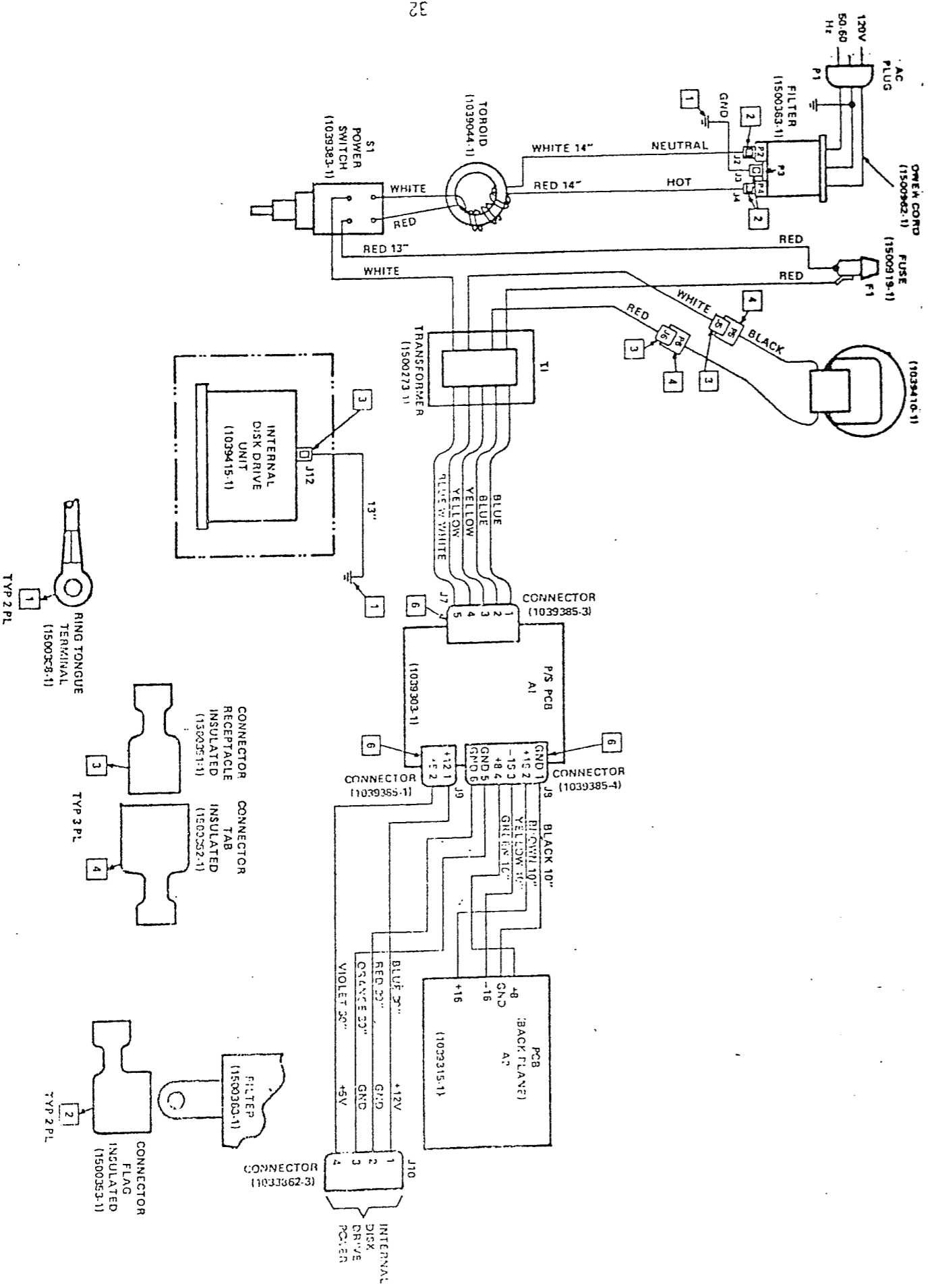
18V from transformer bridge rectifier

*NOTE: Some Consoles
(Beige) use a pulse-width
switch-mode supply
(less heating)*

+12V @ ~ 0.2A

+5V @ ~ 0.9A

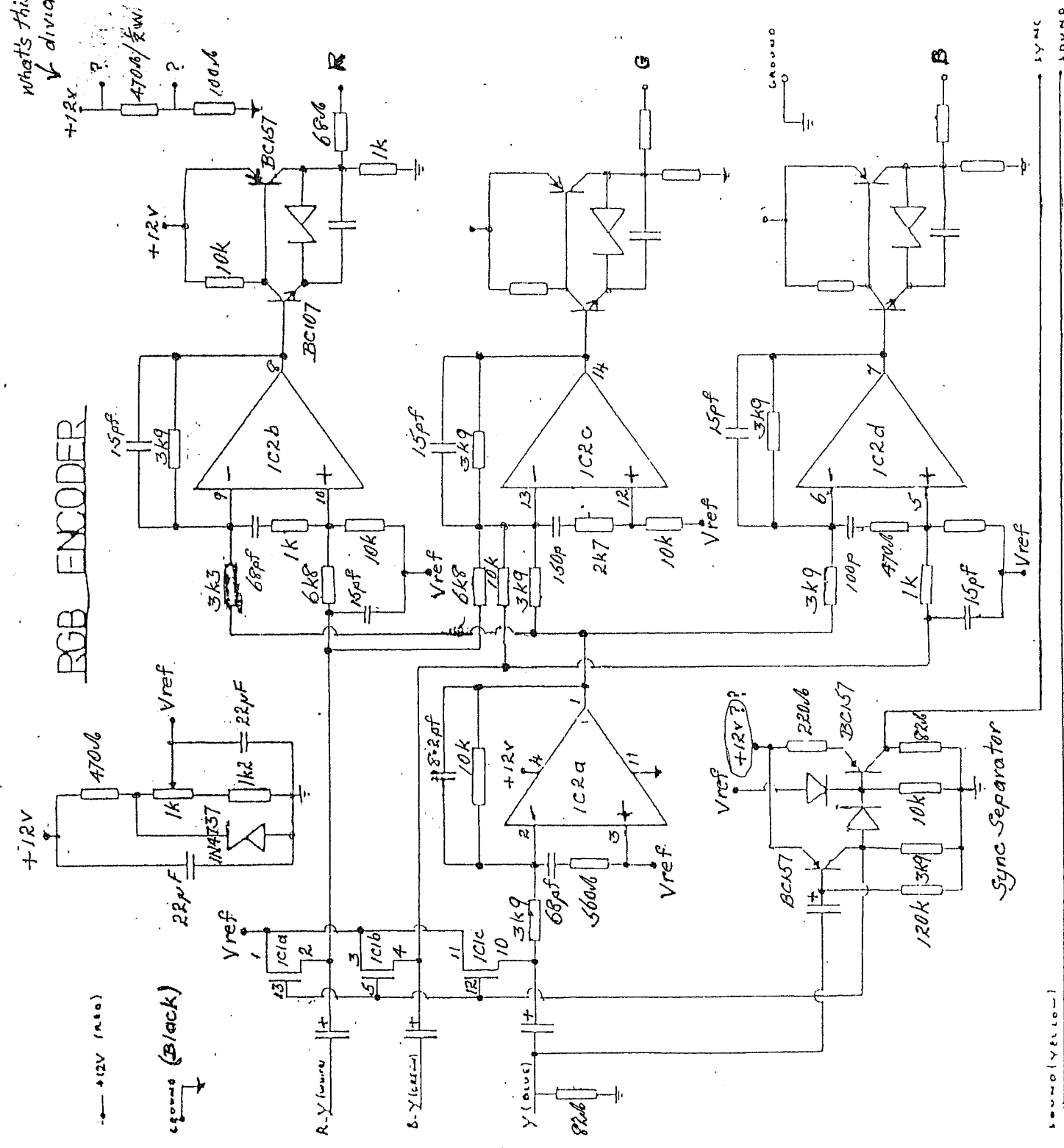
-5V @ ~ 0.1A



PERIPHERAL EXPANSION UNIT SCHEMATIC DIAGRAM

NOTE: Components & values Suggested only

RGB ENCODER



What's this voltage divider for??



IC1 4066 or 4016

IC2 Same Pinouts as

- LM324 1MHz bandwidth Low current.
- TL074 3MHz JFET *
- LF347 4MHz JFET *
- * Preferred.

Zener Diode for Vref circuit. 7.5V
Zener Diodes in R, G & B Buffers
probably 5.1V types.

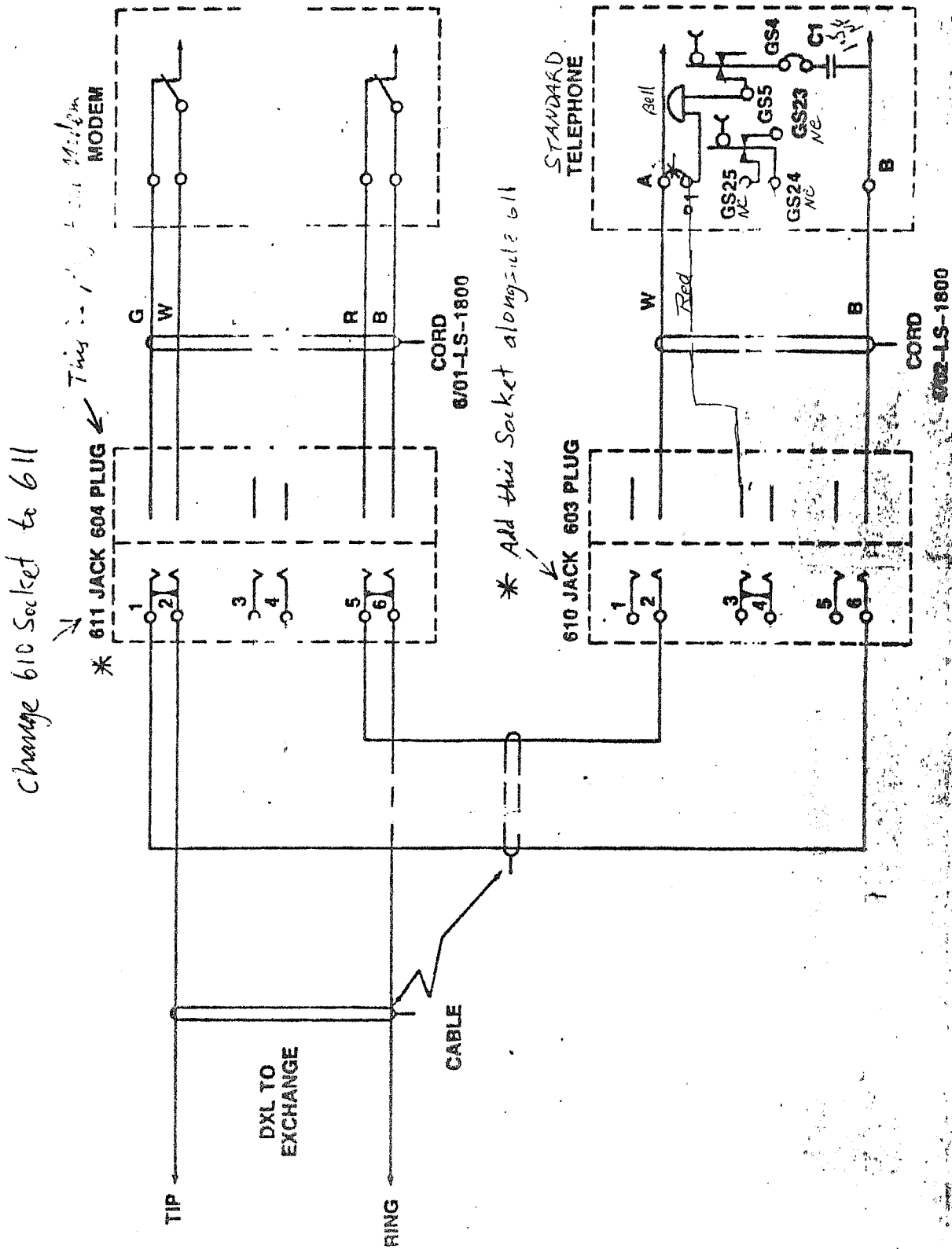
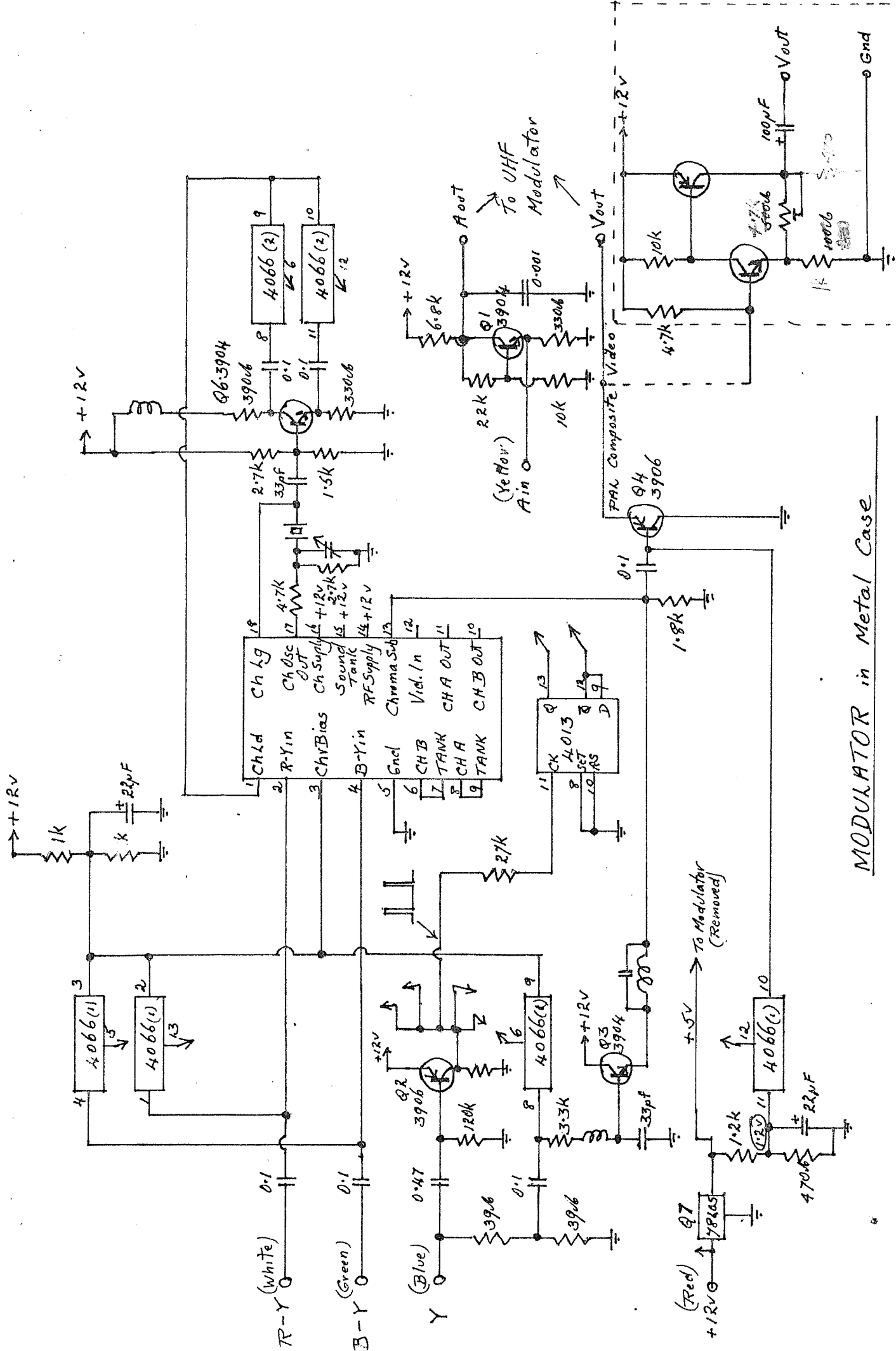


Figure 3-2. Connector Schematic

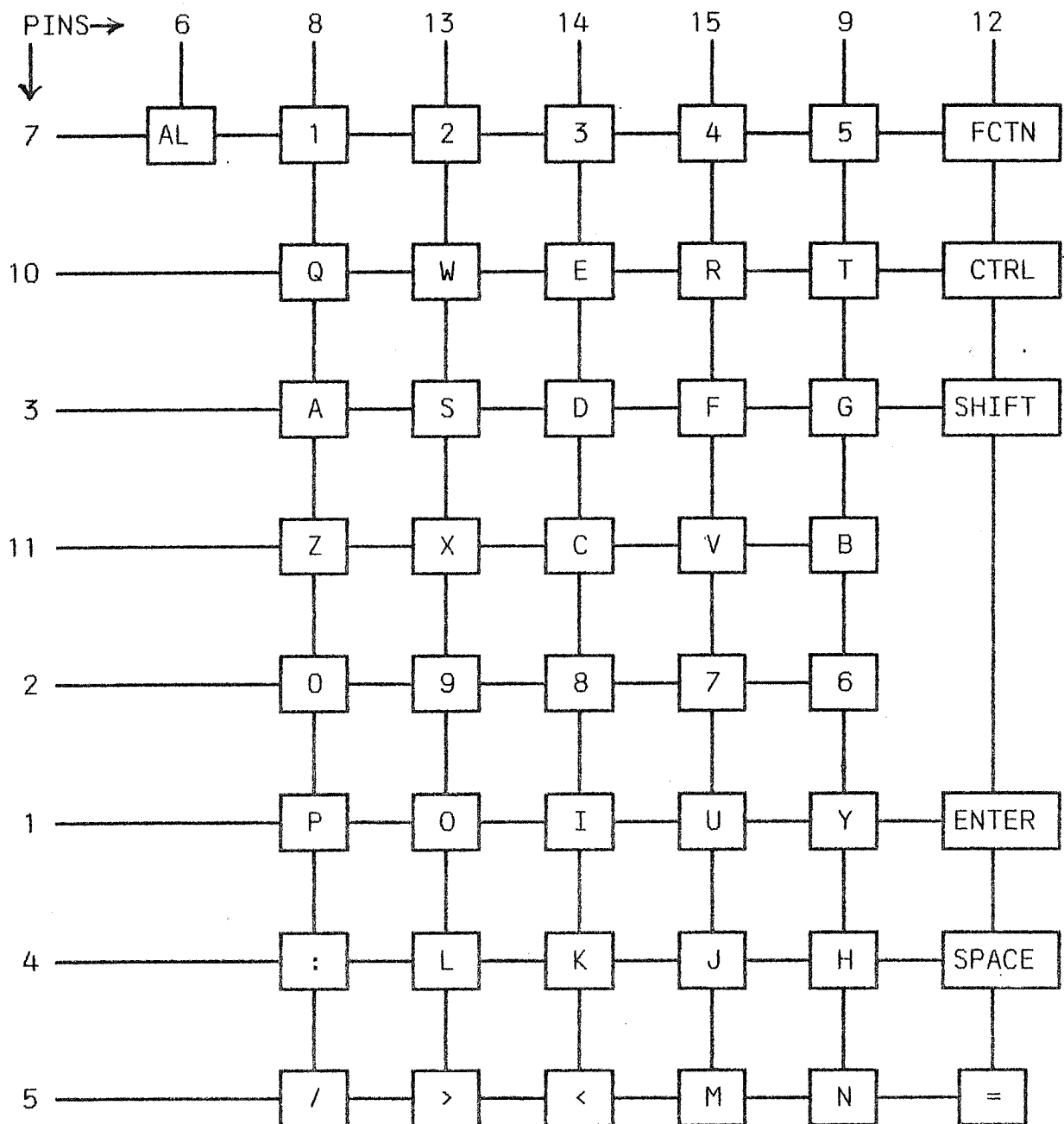


MODULATOR in Metal Case

Video Amplifier Added.

TI99/4A KEYBOARD WIRING MATRIX

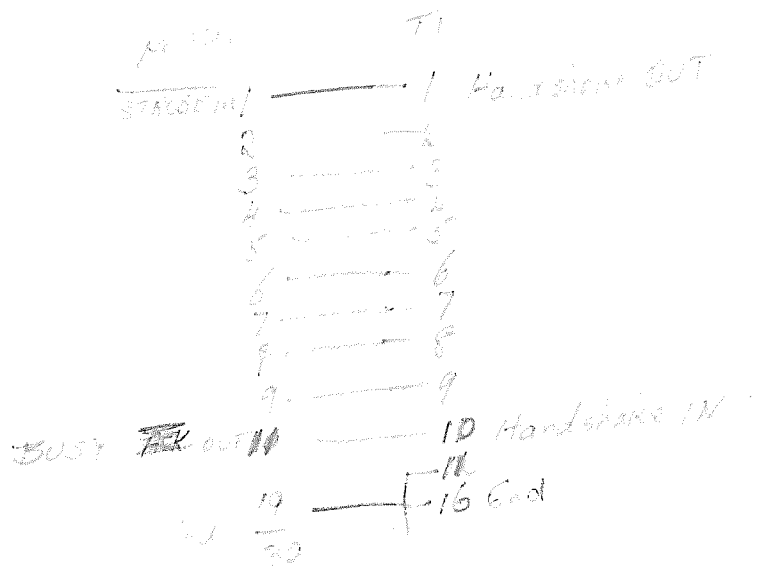
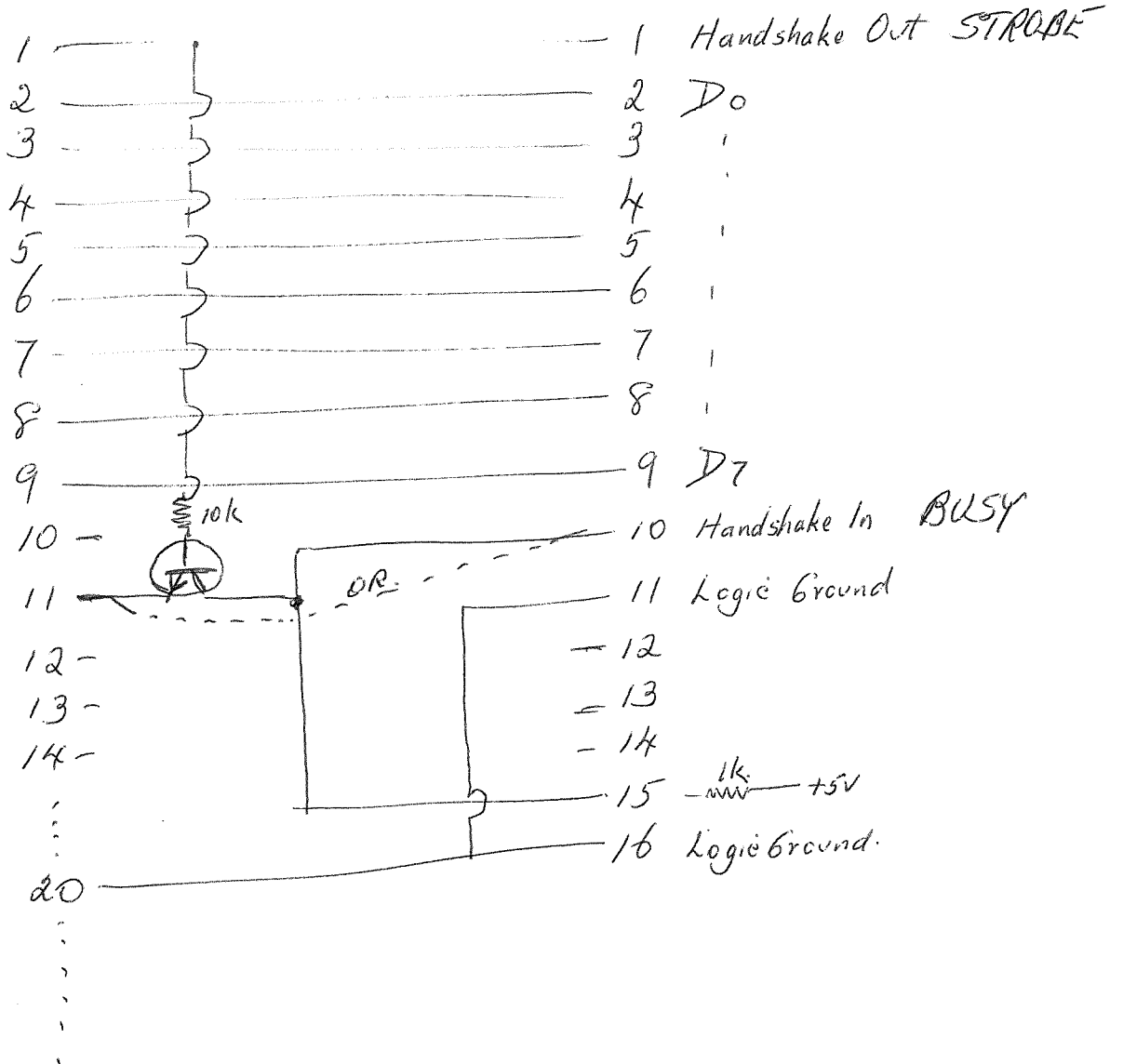
PIN 1 IS NEAREST TO JOYSTICK PORT ON THE MOTHERBOARD.



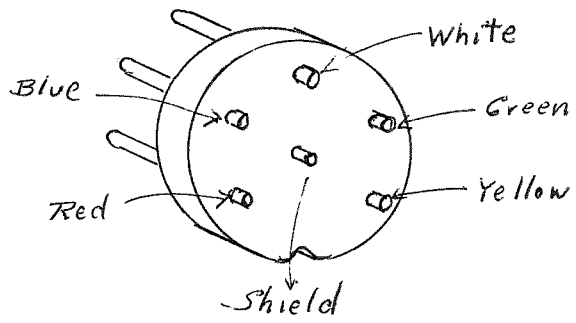
PRINTER CABLE

CENTRONICS

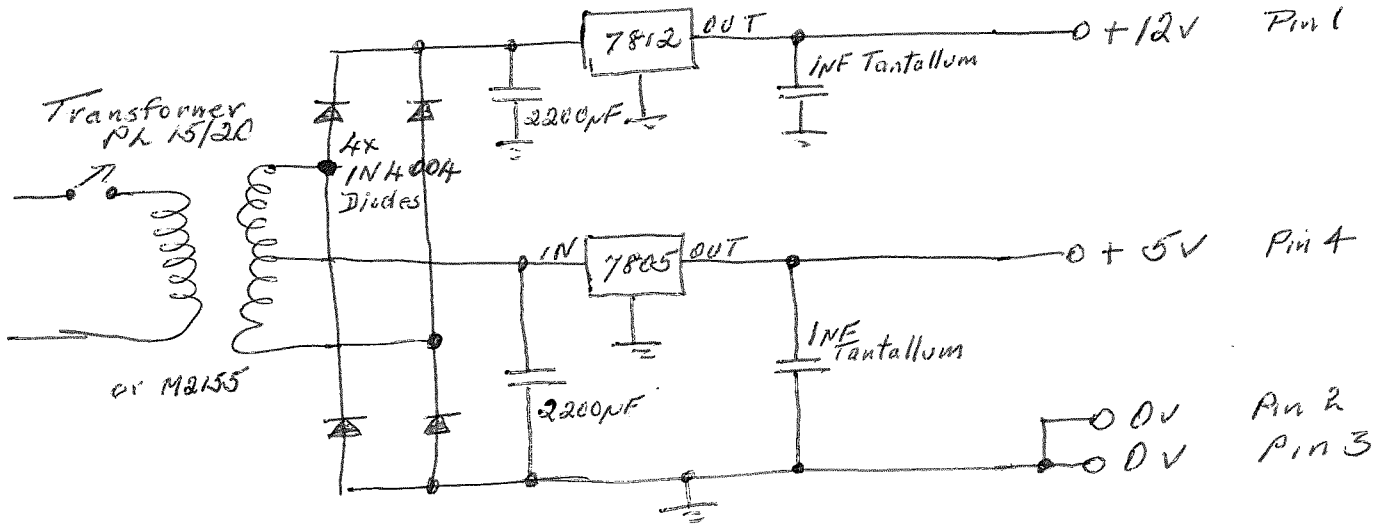
F10

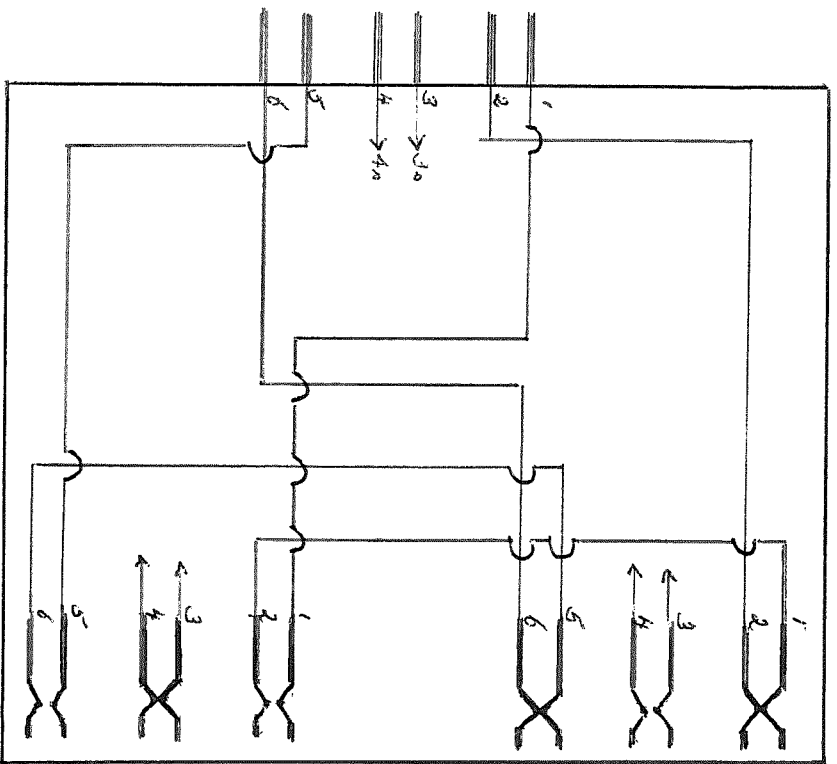


Modulator Plug.- Wiring



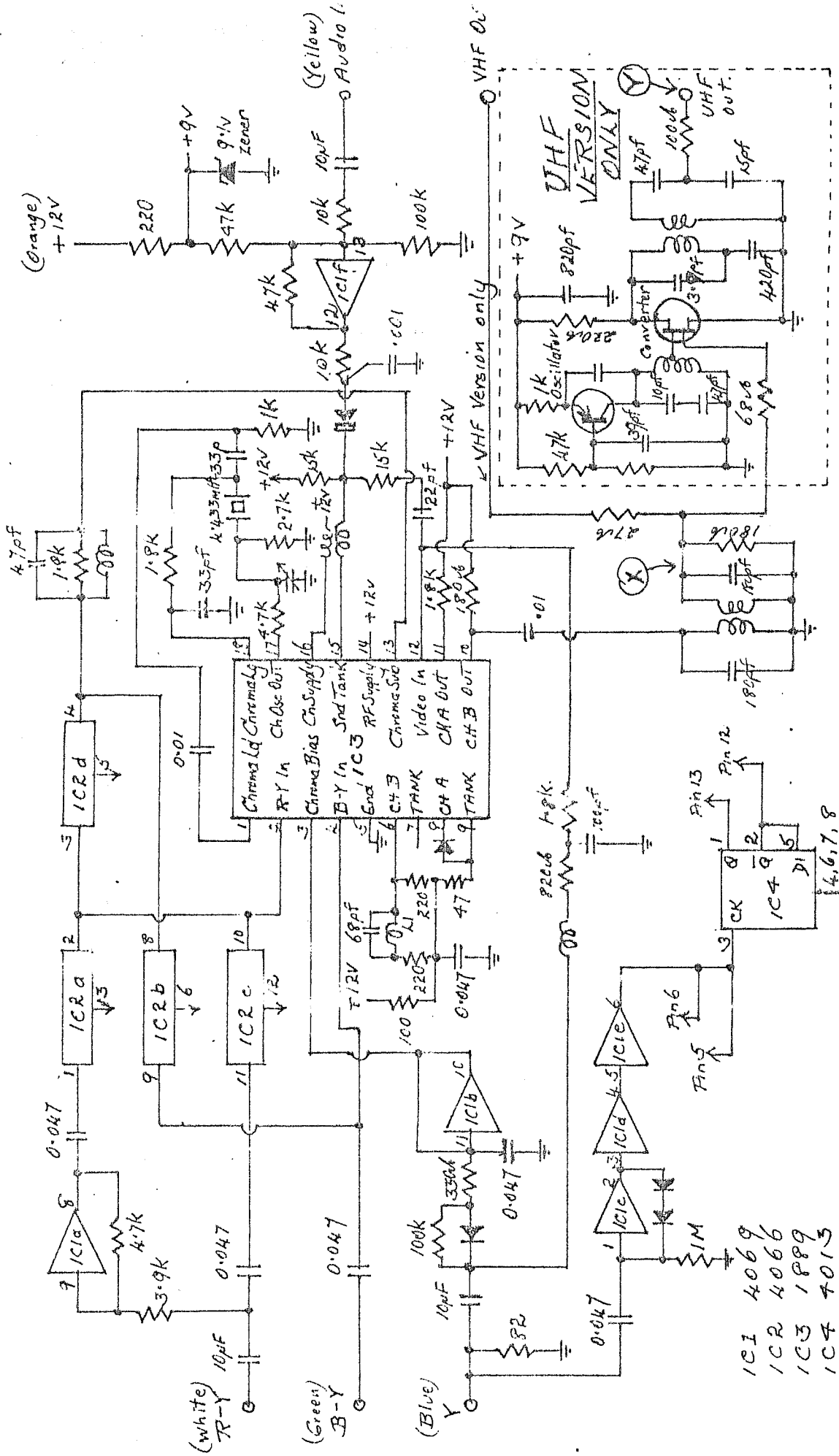
DISK DRIVE POWER SUPPLY





Modem

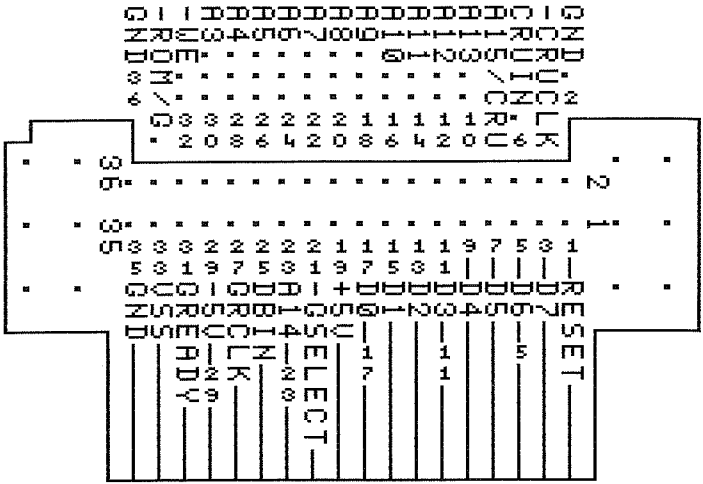
Phone



- IC1 4069
- IC2 4066
- IC3 1889
- IC4 7013

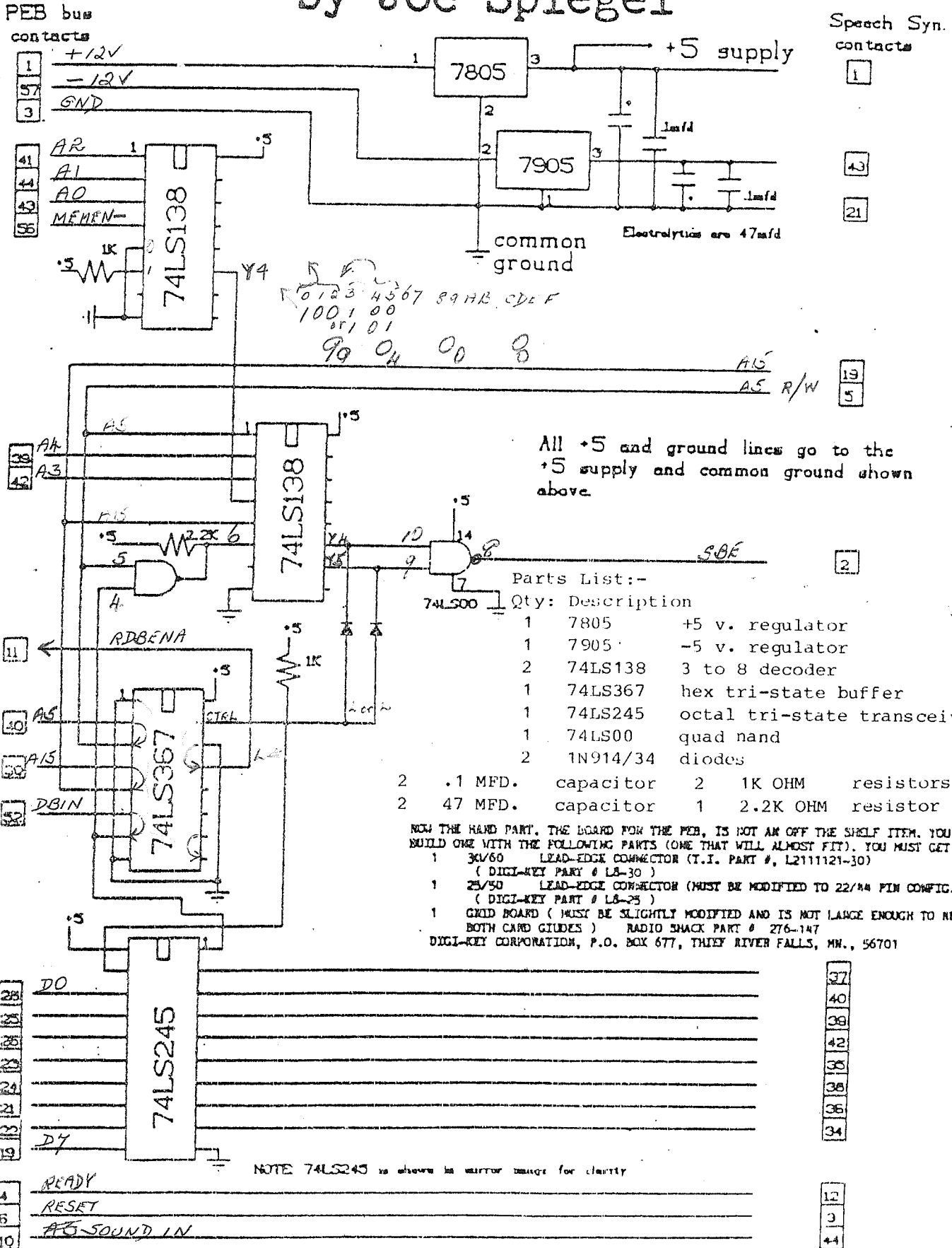


GR0M PORT CONNECTIONS
Rear View - Grom extender



PEB SPEECH INTERFACE

by Joe Spiegel



PRINTER AND CABLE CONNECTIONS

		<i>PRINTER end.</i>		<i>TI end</i>	
<u>PRINTER</u>	<u>DIR</u>	<u>36PIN</u>	<u>COLOUR</u>	<u>25PIN</u>	<u>16PIN</u>
1	STROBE IN	1✓	BROWN	1	1✓ OUT
2	DATA 0 IN	2✓	RED	2	2✓
3	DATA 1 IN	3✓	ORANGE	3	3✓
4	DATA 2 IN	4✓	PINK	4	4✓
5	DATA 3 IN	5✓	YELLOW	5	5✓
6	DATA 4 IN	6✓	GREEN	6	6✓
7	DATA 5 IN	7✓	AQUA	7	7✓
8	DATA 6 IN	8✓	BLUE	8	8✓
9	DATA 7 IN	9✓	L BLUE	9	9✓
10	ACK OUT	10	PURPLE	10	
11	BUSY OUT	11✓	GREY	11	10✓ IN
12	PAP OUT OUT	12	WHITE	12	
13	SELECT OUT	13	BLACK	13	
14	N/C	14	BN/WH	14	
15	N/5				
16	SIG GND				
17	CHAS "				
18	+5V DC				

19	GND	19✓	GN/BK	19	11 & 16✓
20	GND	20	N/C		
21	GND	21	AQ/BK	20	
22	GND	22	N/C		
23	GND	23	BL/WH	21	
24	GND	24	N/C		
25	GND	25	L BL/WH	22	
26	GND	26	N/C		
27	GND	27	PU/WH	23	
28	GND	28	N/C		
29	GND	29	GY/BK	24	
30	GND	30	WH/BK	25	
31	RESET IN	31	OR/BK	16	
32	ERROR IN	32	RE/BK	15	
33	EXT GND	33	YE/BK	18	
34	N/C	34	N/C		
35	N/C	35	N/C		
36	SELC-IN IN	36	PK/BK	17	

Q & A

Over the past few months we have received some questions regarding the Power Up routine and its sequence of events.

The Power Up routine resides in console ROM and console GROM chip 0, with the majority of it in GROM. Listed below is the sequence of events, as we know it, that take place from the moment power is applied to the console.

1. When power is first applied to the 9900 microprocessor it executes a level 0 interrupt which is a reset. When this happens it knows to grab its workspace pointer from address >0000 and its program counter or instruction pointer from address >0002. In the 99/4A these addresses are burned into the console ROM. Once it has these addresses it begins to execute the code that is pointed to by address >0002.

2. The code pointed to by address >0002 loads R13 with >9800, the GROM read address, R14 with >0100, the status flag and R15 with >8C02, the VDP write address.

3. The balance of the Power Up routine is in GROM chip 0. First it clears out the sound list indicator at >83CE and then it turns off the Speech Synthesizer, if you have one, and turns off the sound generators.

4. Next it initializes the Data and Subroutine GPL stacks in Scratch Pad RAM.

5. Then it loads the VDP registers with default values stored in a GROM table.

6. Most of the Scratch Pad RAM is then cleared out by writing zeros to it.

7. The keyboard interrupts are then disabled and the cassette audio gate is turned on, this allows you to hear the cassette through your monitor speaker.

8. Next the VDP and external interrupts are enabled.

9. The cassette motors are then enabled, this sets up the remote jack so the motors can run.

10. Next it generates a BEEP sound by CALLing the TON1 routine in GROM chip 0.

11. And then it determines the size of VDP RAM, 4K or 16K, and sets bit 0 in VDP register 1 to 1 for 16K. I guess that TI thought they might produce a 4K console at one point in time.

12. The first 4K of VDP RAM is then cleared out and the default color and character tables are moved from GROM to VDP RAM.

13. Next the keyboards are initialized by scanning them. ie: CALL KEY(5.. ,CALL KEY(4.. , CALL KEY(3.. etc.

14. Then it moves the data for the Title Screen into the screen image table. At this point the screen can not be seen because it is turned off. Bit 1 in VDP register 1 is set to zero.

15. The ROMs(DSR) and GROMs are then searched for power up headers and if they have one they are executed.

16. After the search and execution of power up headers is complete the Title Screen is displayed by writing a 1 to bit 1 of VDP register 1. This is the first time that you are able to see the Title Screen.

17. Next it initializes the Random Number Generator and then waits for you to 'PRESS ANY KEY'. After you press a key it generates another BEEP sound.

18. And then it searches through the cartridge ROM and GROMs for application programs and builds a list of their names. ie: Editor/Assembler, Extended Basic, Basic etc. Note: some consoles, V2.0 (C) 1983, do not search ROM only GROM.

19. At this point the screen is once again turned off, VDP register 1, bit 1 is set to zero and then it sets up the menu screen with the application programs it found.

20. After the menu is set up it turns on the screen by writing a 1 to bit 1 of VDP register 1, and waits for you to make a selection.

21. If you make an illegal selection it generates a HONK sound, otherwise it sets up the starting address for the application program you selected and branches to it.

Q & A

Over the past few months we have received some questions regarding the Power Up routine and its sequence of events.

The Power Up routine resides in console ROM and console GROM chip 0, with the majority of it in GROM. Listed below is the sequence of events, as we know it, that take place from the moment power is applied to the console.

1. When power is first applied to the 9900 microprocessor it executes a level 0 interrupt which is a reset. When this happens it knows to grab its workspace pointer from address >0000 and its program counter or instruction pointer from address >0002. In the 99/4A these addresses are burned into the console ROM. Once it has these addresses it begins to execute the code that is pointed to by address >0002.
2. The code pointed to by address >0002 loads R13 with >9800, the GROM read address, R14 with >0100, the status flag and R15 with >8C02, the VDP write address.
3. The balance of the Power Up routine is in GROM chip 0. First it clears out the sound list indicator at >83CE and then it turns off the Speech Synthesizer, if you have one, and turns off the sound generators.
4. Next it initializes the Data and Subroutine GPL stacks in Scratch Pad RAM.
5. Then it loads the VDP registers with default values stored in a GROM table.
6. Most of the Scratch Pad RAM is then cleared out by writing zeros to it.
7. The keyboard interrupts are then disabled and the cassette audio gate is turned on, this allows you to hear the cassette through your monitor speaker.
8. Next the VDP and external interrupts are enabled.
9. The cassette motors are then enabled, this sets up the remote jack so the motors can run.
10. Next it generates a BEEP sound by CALLING the TONI routine in GROM chip 0.
11. And then it determines the size of VDP RAM, 4K or 16K, and sets bit 0 in VDP register 1 to 1 for 16K. I guess that TI thought they might produce a 4K console at one point in time.
12. The first 4K of VDP RAM is then cleared out and the default color and character tables are moved from GROM to VDP RAM.
13. Next the keyboards are initialized by scanning them. ie: CALL KEY(5.. , CALL KEY(4.. , CALL KEY(3.. etc.
14. Then it moves the data for the Title Screen into the screen image table. At this point the screen can not be seen because it is turned off. Bit 1 in VDP register 1 is set to zero.
15. The ROMs(DSR) and GROMs are then searched for power up headers and if they have one they are executed.
16. After the search and execution of power up headers is complete the Title Screen is displayed by writing a 1 to bit 1 of VDP register 1. This is the first time that you are able to see the Title Screen.
17. Next it initializes the Random Number Generator and then waits for you to 'PRESS ANY KEY'. After you press a key it generates another BEEP sound.
18. And then it searches through the cartridge ROM and GROM for application programs and builds a list of their names. ie: Editor/Assembler, Extended Basic, Basic etc. Note: some consoles, V2.0 (C) 1983, do not search ROM only GROM.
19. At this point the screen is once again turned off, VDP register 1, bit 1 is set to zero and then it sets up the menu screen with the application programs it found.
20. After the menu is set up it turns on the screen by writing a 1 to bit 1 of VDP register 1, and waits for you to make a selection.
21. If you make an illegal selection it generates a HONK sound, otherwise it sets up the starting address for the application program you selected and branches to it.