

GET EA CHEAT CODES AND GAME HINTS

Register your game online at
ea.onlineregister.com

Enter your Game Access Code and receive:

- Exclusive access to an EA cheat code or hint—specifically for your game.
- The inside scoop on your favorite EA games.
- Full-care technical support.

GAME ACCESS CODE:

15407

IT'S EASY. IT'S FAST. IT'S WORTH IT!



Notice

Electronic Arts reserves the right to make improvements in the product described in this manual at any time and without notice. This manual and the product described in this manual are copyrighted. All rights reserved.

Technical Support Contact Info

E-mail and Website: For instant access to all of our technical support knowledge, please visit <http://techsupport.ea.com>.

Telephone Support: Technical Support is also available from 8am to 5pm PST by calling us at (650) 628-1001. No hints or codes are available from (650) 628-1001.

Mailing Address: Electronic Arts Technical Support
P.O. Box 9025
Redwood City, CA 94063-9025

EmuMovies

Electronic Arts Inc. 209 Redwood Shores Parkway, Redwood City, CA 94065.

Proof of Purchase
NCAA® Football 09
1540705



NCAA® FOOTBALL 09



⚠ WARNING: PHOTOSENSITIVITY/EPILEPSY/SEIZURES

READ BEFORE USING YOUR PLAYSTATION®2 COMPUTER ENTERTAINMENT SYSTEM.

A very small percentage of individuals may experience epileptic seizures or blackouts when exposed to certain light patterns or flashing lights. Exposure to certain patterns or backgrounds on a television screen or when playing video games may trigger epileptic seizures or blackouts in these individuals. These conditions may trigger previously undetected epileptic symptoms or seizures in persons who have no history of prior seizures or epilepsy. If you, or anyone in your family, has an epileptic condition or has had seizures of any kind, consult your physician before playing. **IMMEDIATELY DISCONTINUE** use and consult your physician before resuming gameplay if you or your child experience any of the following health problems or symptoms:

- dizziness
- altered vision
- eye or muscle twitches
- loss of awareness
- disorientation
- seizures
- any involuntary movement or convulsion

RESUME GAMEPLAY ONLY ON APPROVAL OF YOUR PHYSICIAN.

Use and handling of video games to reduce the likelihood of a seizure

- Use in a well-lit area and keep as far away as possible from the television screen.
- Avoid large screen televisions. Use the smallest television screen available.
- Avoid prolonged use of the PlayStation 2 system.
Take a 15-minute break during each hour of play.
- Avoid playing when you are tired or need sleep.

Stop using the system immediately if you experience any of the following symptoms: lightheadedness, nausea, or a sensation similar to motion sickness; discomfort or pain in the eyes, ears, hands, arms, or any other part of the body. If the condition persists, consult a doctor.

WARNING TO OWNERS OF PROJECTION TELEVISIONS:

Do not connect your PlayStation 2 system to a projection TV without first consulting the user manual for your projection TV, unless it is of the LCD type. Otherwise, it may permanently damage your TV screen.

HANDLING YOUR PLAYSTATION 2 FORMAT DISC:

- This disc is intended for use only with PlayStation 2 consoles with the NTSC U/C designation.
- Do not bend it, crush it or submerge it in liquids.
- Do not leave it in direct sunlight or near a radiator or other source of heat.
- Be sure to take an occasional rest break during extended play.
- Keep this compact disc clean. Always hold the disc by the edges and keep it in its protective case when not in use. Clean the disc with a lint-free, soft, dry cloth, wiping in straight lines from center to outer edge. Never use solvents or abrasive cleaners.

CONTENTS

1	COMPLETE CONTROLS	9	GAME MODES
2	GETTING STARTED	12	GAME FEATURES
3	STARTING UP	12	MY NCAA
6	PLAYING THE GAME	13	LIMITED 90-DAY WARRANTY
8	NEW MASCOT CHALLENGE		

This product has been rated by the Entertainment Software Rating Board. For information about the ESRB rating please visit www.esrb.org.

COMPLETE CONTROLS

Are you a die-hard college football fan looking for any advantage you can get to dominate your biggest rivals? If so, master the controls below and become a powerhouse.

NCAA® Football 09 also provides casual players with the option of using all-new EA SPORTS™ Family Play controls, an easy-to-use set of controls that simplify the gameday experience. For a complete list of the EA SPORTS Family Play controls, see p. 08.

GENERAL GAMEPLAY

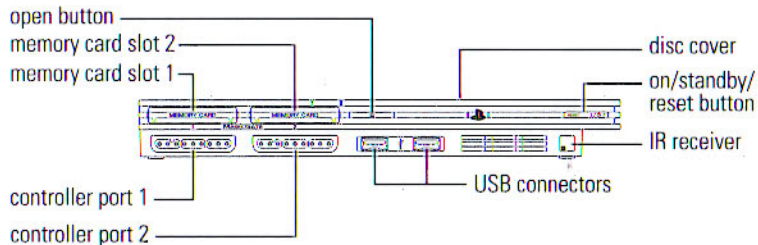
BOTH SIDES OF THE BALL	
Move player	D-Button or left analog stick
Sprint	⊗ button (hold)
Dive	Ⓜ button
Jump/Intercept/Catch	△ button
Spin/Switch player	Ⓞ button
Call timeout	SELECT button
Pause game	START button

OFFENSE

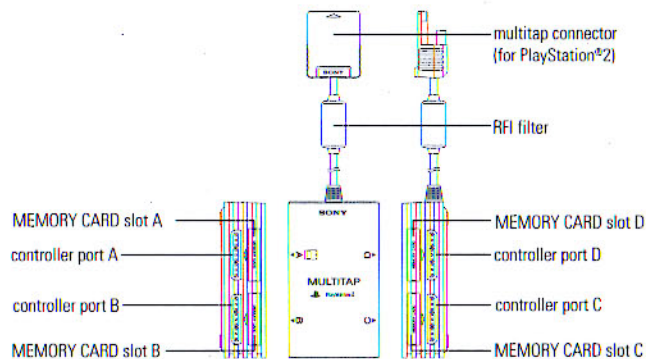
AT THE LINE OF SCRIMMAGES	
Snap the ball	⊗ button
Fake snap	Ⓞ button
Cycle man in motion/Send man in motion	D-Button ↓ (to select player) + D-Button ←/→
Coach cam	
— Show cams	R2 button
— Show routes	right analog stick ↑
— Rotate left/right	D-Button ←/→
Quiet the crowd	L2 button
Slide protection (offensive line only)	L1 button + D-Button:
— Bunch together	↓
— Fan out	↑
— Shift left/right	←/→

NOTE: Complete Controls section continued on p. 3

GETTING STARTED

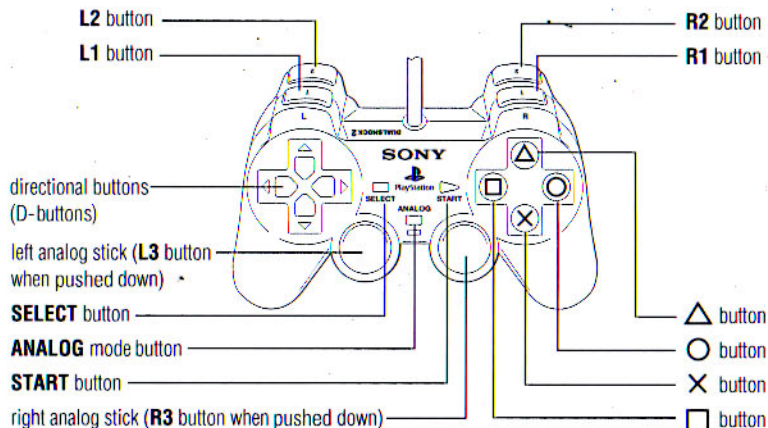


1. Set up your PlayStation®2 computer entertainment system according to the instructions supplied with your system.
 2. Check that the system is turned on (the on/standby indicator is green).
 3. Insert the *NCAA Football 09* disc in the system with the label side facing up.
 4. Attach game controllers and other peripherals as appropriate.
 5. Follow the on-screen instructions and refer to this manual for information on using the software.
- NOTE:** When using the multitar (for PlayStation®2), a controller must be connected to controller port 1-A.



STARTING UP

DUALSHOCK®2 ANALOG CONTROLLER CONFIGURATIONS



RUNNING WITH THE BALL

Stiff arm left/right	L2 button
Juke left/right/back	right analog stick ←/→/↓
Cover up ball	△ button
Cut moves	L1 button/ R1 button
Highlight Stick	right analog stick ↑

QB OPTION

Pitch ball	R2 button
Fake pitch	L2 button
Hand off to fullback (triple option)	X button
QB dive/slide	○ button

PASSING/RECEIVING

Throw to receiver	□ button, △ button, ○ button, L1 button, or R1 button (hold for a bullet pass; tap for a lob)
Throw ball away	L2 button
Pump fake	R2 button
Catch	△ button

AUDIBLES

Call audible	Ⓚ button, then Ⓚ button, × button, Ⓞ button, L1 button, or R1 button
Flip play	R2 button
Cancel audible	Ⓚ button (if a new play was selected); L2 button to audible back to the original play.
Change audible at Playcalling screen (up to three only)	R1 button (press and hold), then press and hold the Ⓚ button, the Ⓞ button, or the × button to set the highlighted play to the corresponding button.

NOTE: You can set all 10 of your audibles (five on offense and five on defensive) from the Playbook/Audibles menu.

HOT ROUTES

Press the Ⓚ button then press the corresponding button symbol of the receiver or back whose route (or pass blocking assignment) you want to change. To call a Smart Route, move the right analog stick ↓ once you've selected a receiver.

Fly pattern	D-Button ↑
Quick hitch	D-Button ↓
In/Out pattern	D-Button ←/→
Slant pattern left/right (for receivers)	L2 button/R2 button
Pass block left/right (for running backs/tight ends)	L2 button/R2 button
In/Out flare left/right (for running backs)	D-Button ←/→

NOTE: Smart Routes take existing routes and extend them to where the first down marker is, so if your selected play has a 5-yard out route and it's 8 yards for a 1st down, you can call a Smart Route hot route and the 5-yard out turns into an 8-yard out.

HURRY-UP OFFENSE

Hurry to line of scrimmage	× button (after breaking the huddle)
Repeat previous play	Ⓚ button (immediately after the whistle blows)
QB spike	Ⓞ button (press and hold)
Fake spike	Ⓚ button (press and hold)

DEFENSE

AT THE LINE OF SCRIMMAGE

Cycle through players	Ⓞ button
Pump up crowd (linebackers and secondary only)	L2 button
Jump the Snap	× button (right before ball is hiked)

NOTE: Jump the Snap is the ultimate risk/reward on defense. If you time it right, you can burst through the line and make a big tackle in the backfield. Jump too early, and you'll be called for offsides and receive a five-yard penalty. Jump too late and the offensive lineman will manhandle you.

WHILE IN PURSUIT

Swat ball	L1 button
Big hit	right analog stick (in direction of offensive player)
Strip ball	R2 button
Strafe	R1 button
Swim/Spin left/right (with linemen)	L1 button/R1 button

SECONDARY COVERAGE AUDIBLES (BEFORE THE SNAP)

Man Up	Ⓚ button, then D-Button right →
Shade left	Ⓚ button, then right analog stick ←
Shade right	Ⓚ button, then right analog stick →
Tight/Loose coverage	Ⓚ button, then D-Button ↑/↓
Reset	Ⓚ button, then D-Button ←
Cancel coverage audible	Ⓚ button, then Ⓚ button

DEFENSIVE LINE/LINEBACKER SHIFTS (BEFORE THE SNAP)

Shift defensive line left/right	L1 button + D-Button ←/→
Spread/Pinch defensive line	L1 button + D-Button ↑/↓
Shift linebackers left/right	R1 button + D-Button ←/→
Spread/Pinch linebackers	R1 button + D-Button ↑/↓
Spy with right defensive end	L1 button + Ⓚ button
Spy with left defensive end	L1 button + Ⓞ button
Rush defensive line outside/Jam middle	L1 button + right analog stick ↑/↓
Crash left/right with defensive line	L1 button + right analog stick ←/→
Call off linebacker blitzes (any blitzing linebacker is re-assigned to a hook zone while the MLB changes to a QB spy assignment)	R1 button + right analog stick ↑
Blitz with all linebackers	R1 button + right analog stick ↓
Blitz with the outside linebackers	R1 button + right analog stick ←/→

KICKING GAME

KICKING OFF/PATS/PUNTS

Adjust height	left analog stick ↑/↓
Adjusting power/direction	right analog stick ↓ (until power is desired), then right analog stick ↑ toward desired part of field
Abandon punt/field goal (after the ball is snapped)	L2 button

RETURNING KICKS/PUNTS

Fair catch	Ⓚ button
Kneel in end zone	Stay in end zone



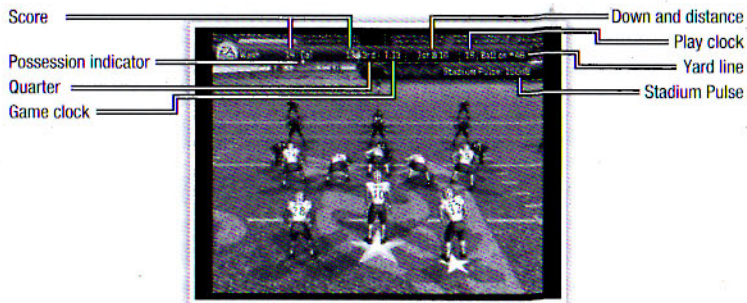
WWW.EASPORTS.COM

PLAYING THE GAME

User Profiles

Keep track of your personal stats and accomplishments with a User Profile. An active User Profile saves Campus Legend and Dynasty Mode achievements and statistics to your memory card (8MB) for PlayStation®2. Don't let all of your hard work go to waste!

GAME SCREEN



PLAYCALLING SCREEN

To flip/reverse a set, formation, or play, press the **R2** button. To swap a package with different player personnel, press the **○** button.

When in doubt (offense only), ask Lee Corso for his advice on the next play by pressing the **○** button.

Each play has an alternative play shown above and below it. Press the **L2** button + the corresponding playcall button to select the play shown below it. Press the **L1** button + the corresponding playcall button to select the play shown above it.

MY SKILLS

In *NCAA Football 09*, your success on the field matters more than ever—making big plays unlocks user bonuses and improves your Dynamic Player Ratings. You can also see how well you've played in previous games with the all-new User Report Card, which grades your performance in multiple facets of the game and indicates your skill level. You can also monitor your team's User Leaders within Dynasty Mode™. The players that have been controlled best by the user are rewarded with a higher Motivation, and can make a greater impact on the game.

MOMENTUM METER

Now you must do more than score if you expect to win—you must keep momentum working in your favor with big plays on offense, defense, and special teams.

The more momentum you have the better your players perform, and the greater your chances at making a big play, whether it's breaking a tackle on offense or forcing a turnover on defense. With momentum on your side, your team plays better.

IMPACT PLAYERS

Impact Players, indicated by a star-shaped icon, can change the game in a heartbeat. Be sure to key in on them during the biggest moments of the game.

If the Impact Icon is pulsating, the player is "In the Zone" and is more likely to make a big play. If your Impact Player is struggling with an opponent, tap the **×** button for a second chance to either make or break the tackle.

BLUFF PLAY ART

If you feel your opponent is on to your playcalling schemes, throw 'em off by showing play art for four different plays while at the line of scrimmage (press the **R2** button to bring up the Coach Cam, then move the right analog stick **↑ ↓ ← →** to show the plays).

Move the right analog stick: **←** for a fake play action, **→** for a fake pass, **↓** for a fake run, or **↑** for the actual play.

For example, when you call a run play you can show your opponent the play art for a deep pass or play action. Your opponent will be unaware which play you are actually running and may overcompensate to cover one of the bluffed plays, making your real play more effective.

COACH CAM MATCH-UP VISUALS

See who the best players on the field are by using the Coach Cam (press and hold the **R2** button). Three colors are shown with corresponding halos to represent the different types of players on the field: Green—the best, most highly rated players; Yellow—above average players; Red—below average or worst players.

NOTE: The majority of players don't have a colored halo. They represent the middle-of-the-pack, average players.

IN-GAME SNAP SHOTS

Capture all of your most memorable plays and incredible moments. All you have to do to take a snap shot of your memorable moment is access the Instant Replay feature via the Pause menu, then click the **L3** button during the appropriate time. After your pictures are saved, you can view all of them by visiting your Photo Album My Shrine menu.

GRUDGE MATCH

Lose a close game to your fiercest rival? Then get right back on the field for a rematch! The Grudge Match option lets you play another game using the same two teams without first having to return to the Main menu.

HIGHLIGHT STICK

When carrying the ball, move the right analog stick **↑** to fend off would-be tacklers by ducking past them or trucking over them. Your ability to do so depends on the size, agility, and tackle-breaking ability of the ball carrier and the size, strength, and tackling ability of the defender.

QB AVOIDANCE

When defenders are closing in on your quarterback, move the right analog stick in any direction to make your quarterback do a side-step in the pocket or an elusive maneuver that shakes off a sack attempt.

RECEIVER DIRECT

After rolling out of the pocket with your quarterback, an indicator appears under the receiver closest to you. Move the right analog stick to direct that receiver to go in the direction you want. To switch between different receivers, click the **R3** button.

RUNNING BACK COMBO MOVES

Set defenders up like never before by stringing together multiple moves, including jukes, spins, and stiff arms. Enhanced running animations provide a more fluid and responsive feel, allowing you to cue your next move while you're playing out another.

ADVANCED HOT ROUTES

Before the snap on offense, press the **△** button then move the right analog stick **↑** to assign your receiver to a fade route, **←/→** to assign your receiver to drag route left/right, or **↓** to assign your receiver to a Smart Route, which makes him run a route as long as is needed for a first down.

DEFENSIVE HOT ROUTES

Before the snap on defense, switch to the appropriate defender and move the right analog stick ↓ twice to assign him to a QB Contain defense, which helps enclose scrambling quarterbacks. To assign your defender to a Smart Zone, making him defend the first-down area of the field, move the right analog stick ↑ twice.

SAVING AND LOADING

Before exiting a game mode or a menu where changes have been made, be sure to save your progress to your memory card—all unsaved information will be lost otherwise. You can also save or load manually by accessing the Load/Save screen via the My NCAA® menu.

NOTE: Never insert or remove a memory card when loading or saving files.

NEW EA SPORTS™ Family Play

EA SPORTS Family Play is an easy pick-up-and-play game mode with no penalties, injuries, or fatigue. Complete against the greatest programs in college football with easy-to-use, simplified plays and controls.

Take on friends and family in a light-hearted game in each of the following parts of *NCAA Football 09*: Play Now, Dynasty, Campus Legend, Points Pursuit, Mascot Game, and Rivalry Game. The EA SPORTS Family Play controls are displayed below.

OFFENSE

Dive	Ⓚ button
Spin	Ⓞ button
Special move	ⓧ button
Pitch ball (on option plays)	ⓧ button

DEFENSE

Dive	Ⓚ button
Switch player	Ⓞ button
Special move	ⓧ button
Catch (ball in air)	Ⓛ button

SPECIAL TEAMS

Kick (kickoff/punt/field goal)	ⓧ button
--------------------------------	----------

NEW MASCOT CHALLENGE

Quickly go from a novice or mid-level player to All-American status by improving your skills and technique in a slew of practice drills that focus on passing, rushing, receiving, and defense. Choose your favorite team and go up against famous mascots from around the country in four different challenges.

The Passing Challenge is designed to help you get more comfortable throwing the ball from the pocket while avoiding defenders. The goal is simple—complete passes to your receivers while they are covered by the mascots. You have to complete at least six out of 10 passes to advance to the next level.

The Rushing Challenge teaches you to react quickly to defenders and helps you get more familiar with using special moves under pressure. You have to run through a gauntlet of mascots before time runs out in order to do so, however. Do the action that appears over the next mascot's head to avoid being tackled.

The Receiving Challenge puts you on the receiving end of the pass, and you have to hurry to the highlighted area of the field and catch the ball before the mascot receivers do. You have to catch at least six out of 10 to win the challenge.

The Defense Challenge teaches you how to play defense, then puts your skills to the test. As each mascot tries to rush or throw for a touchdown, you must attempt to stop them by doing the defensive action listed above their head. For every tackle, the mascots are pushed further back on the field. You have 10 attempts to push them all the way back to their end zone.

GAME MODES

Experience the full emotion and drama that is college football by trying each of the exciting game modes.

CAMPUS LEGEND

Go from a prep star to a Campus Legend and leave a lasting impression on college football. Create a legend, attend summer camp to attract scholarship offers from prestigious universities, choose your major, and turn yourself into a potential Heisman Trophy® candidate.

During your freshman season, you reside in a campus dorm room. Here you can access your game schedule, playbook, newsletters, fan mail, and more. As you progress through your career the living conditions should improve. If you're as good as advertised it shouldn't be long before you're dubbed a "Campus Legend."

To perform your best, make sure to keep your life organized using the following:

Calendar	Manage your day to day activities, attend practice, figure out how you want to spend your nights, and play your week's game from the calendar.
Progress Report	Track your progress throughout your career. Keep tabs on your GPA, view the bonuses you have achieved, as well as see how much of a Campus Legend you are.
Computer	Log on to view game, player, and team stats, plus Top 25 rankings, bowl projections, awards, and rosters.
Newsletter	Read what the media has to say about you and your team in the weekly newsletter. If the news turns negative, you need a big game to quiet the critics.
Fan Mail	Are you as popular as you think? The fans let you know by what they say in their fan mail.
Closet	Edit your appearance and add attribute points to your ratings.
Trophy Crate	Check out all the hardware earned during your collegiate career. No matter what you have earned, the crate isn't complete without a Heisman Trophy.

DURING YOUR FRESHMAN SEASON

As a freshman, you are slated to start. Play out the entire season and see if you can lead your team to a coveted bowl game.

BETWEEN GAMES

Each weekday you will need to attend class, go to practice, and decide what to do each evening. You can either study, visit a tutor, get in additional practice, or attend an on-campus social event.

END OF THE REGULAR SEASON

Once the regular season ends, the bowl invitations are handed out. If your team was fortunate enough to receive an invite, play out the final game of the season before advancing to the off-season.

POSTSEASON AWARDS

Between the end of the regular season and the start of the bowl games, the postseason awards are handed out—the biggest being the Heisman Trophy. Five of college football's greatest players make the final list, but only one can bring home the trophy.

THE OFFSEASON

At the end of your freshman and sophomore seasons, you immediately start preparing for the following season. Change your position, play in the Spring Game, and change your major if you want. Pre-season rankings are released and the fight for No. 1 soon begins.

For Juniors and Seniors, it's decision time. Do you declare yourself eligible for the NFL Draft and export your player to *Madden NFL 09*, do you return for your senior season (juniors only), or do you stay in collegiate football as a coach (seniors only)? It all depends on how well you performed during your college career.

ONLINE PLAY

REGISTRATION REQUIRED TO ACCESS ONLINE FEATURES. EA ONLINE TERMS & CONDITIONS AND FEATURE UPDATES ARE FOUND AT WWW.EA.COM. YOU MUST BE 13+ TO REGISTER WITH EA ONLINE.

EA MAY RETIRE ONLINE FEATURES AFTER 30 DAYS NOTICE POSTED ON WWW.EA.COM OR 30 DAYS AFTER THE LAST DAY OF THE 2008-2009 NCAA® FOOTBALL SEASON.

A network adaptor (Ethernet/modem) for PlayStation®2 and a memory card (8MB) for PlayStation®2 with Your Network Configuration file inserted into MEMORY CARD slot 1 are required to play *NCAA Football 09* online. *NCAA Football 09* is compatible with Your Network Configuration files created from other PlayStation®2 online games. You can use the Network Adaptor Start-Up Disc that came with your network adaptor (for PlayStation®2) or the Network Configuration GUI in this game to create a network configuration. Your Network Configuration file requires 51KB of free space on the memory card (8MB) for PlayStation®2.

PLAYING ONLINE

In order to play *NCAA Football 09* online, you must create a Your Network Configuration file and a new EA Account by following the on-screen instructions. If you already have an EA Account and a Network Configuration saved on a memory card, they appear automatically.

PLAYING BEHIND A FIREWALL

We recommend that you do not play behind a firewall. However, if you do wish to play behind a firewall, you must open the following ports: **3658** (peer-to-peer connection); **6000** (VOIP).

WELCOME TO NCAA FOOTBALL 09 ONLINE

In Online mode you can play an evenly-matched Ranked Match, an Unranked Match where the results don't count toward your player ranking, a Session Match featuring settings of your own, or a Play Now game. You can also send challenges to other players from the Lobby, view the Leaderboard, or create a Club and play against your peers.

DYNASTY MODE™

Become a national powerhouse and make a run for a championship year after year. Nab the top recruits in the land, devise an unstoppable gameplan, and dominate your opponents every time you take the field. Transform your university into one of the most respected in college football. The program is in your hands.

DYNASTY MODE MAIN MENU

Preseason Schedule

Customize your schedule however you want. Choose to play easier schools to rack up wins or schedule a slate of prestigious programs to challenge your team week in and week out. You can also choose which players to redshirt for the upcoming season, target prospects for In-Season Recruiting, and assign jersey numbers to all players on the user teams.

Summer Training

Another facet of the preseason which allows you to improve your players by competing in 17 drills; the better you do, the more points you can add to your player's applicable attributes.

Play Week

Play or simulate games on the schedule, or choose to simulate the entire season.

NEW Super Sim

Complete your game quickly with the new Super Sim feature, which lets you simulate the game and freely enter back in whenever you want.

Coach's Desk

Access the following from the Coach's Desk:

Recruiting

You can now target a limited number of prep prospects before and during the season. As the season moves along, players let you know how they feel about your school. If they are still indecisive as the season progresses, or if you wish to finish off the deal, give them the attention they desire by adding to their recruiting hours. Soon, they become available for campus visits. Don't wait too long—signing day arrives sooner than you think.

Game Prep

Prepare for each week's upcoming game by practicing against your next opponent's playbook and perfecting up to 10 key plays that will provide a ratings boost to your players while negating your opponent's home field advantage.

Game Prep Notebook

View any plays prepared with Game Prep each week.

Player Promises

A wrinkle to the recruiting process is the ability to promise prospects certain benefits, such as a specific jersey number, immediate playing time, or even the guarantee of playing a particular position. Be careful to keep your promises, otherwise that recruit may transfer in the off-season.

Rosters

Adjust your depth chart, apply for a medical hardship redshirt, and more.

Playbooks/Audibles

Customize your playbook and audibles to your specifications.

Coach Options

Choose your game strategy, view (or quit) your coaching position, and review your coaching report card.

ESPN® The Magazine

View the Top 25 poll, see who is in the running for the Heisman Trophy, check out the list of All-Americans, get a detailed breakdown of the Strongest Conferences in the country, and see which stadiums rank as the toughest 25 places to play.

NEW Strength of Schedule

The dynamic Top 25 list ranks the teams with the toughest schedule each week.

Stat Book

View season, career, and team stats, or look at rankings.

SPRING GAME -

Decide which underclassmen get the most reps during the annual Spring Game and designate your Impact Players for the upcoming season.

DURING THE SEASON

You have one simple goal during the season: win the next game on the schedule. With all of the off-the-field activities that occur during the week, such as dealing with everyday player issues, in-season recruiting, and the ever-changing Top 25 poll, don't lose focus on the task at hand. Learn to balance the workload.

INFRACTIONS

Maintaining a disciplined team is essential if you want to have a shot at the title. If one of your players commits an infraction, you can choose whether to take action. But be forewarned, your school may be penalized by the NCAA® if you choose to ignore rule breakers.

You can suspend players for a quarter, an entire game, or for the remainder of the season. Each action you take costs a certain number of Discipline Action Points. Be sure that you don't use too many points on minor infractions or you might not have enough left for more serious violations.

AFTER THE SEASON

After playing the final game on the schedule, hopefully in your case it was a major bowl game, your school may offer to extend your contract. If you're a hot coaching prospect, another school might offer you a better job as well. On the flip side, if you failed to reach the expectations of the school, you could lose your job.

THE OFFSEASON

Negotiate with players who are leaving the team early, recruit new talent, hold your annual Spring Game, train your squad, cut players, and organize your depth chart. Once the paperwork is finalized, the Preseason begins.

EXPORT DRAFT CLASS

Disappointed that you're losing some of your key players? You can export your draft class to *Madden NFL 09* and oversee their professional careers.

POINTS PURSUIT

Forget traditional football scoring system. In Points Pursuit, your team gets points based on yards gained or lost, big defensive stands, and user actions such as User Break Tackles, User Picks, and User Sacks.

When the Multiplier comes into play, the stakes are doubled, tripled, or even quadrupled! The team with the most points at the end of the game wins.

Impress the crowd and earn big points. You can check out your point level by visiting My Shrine via the My NCAA® menu after the game.

RIVALRY GAME

Take on your school's biggest rival in a game where the only numbers that matter are the ones on the scoreboard.

COKE ZERO™ MASCOT MASH UP

Big Jay vs. Mike The Tiger. Sebastian vs. Sparty. The mascots are ready to take the field. In the Mascot Game, bragging rights are on the line when favorite sideline icons battle it out on the gridiron.

PRACTICE

Prepare for the big game by running through your playbook in Practice mode. You can work on all three phases of the game with or without an opponent on the field (offense/special teams/pass skeleton only).

SPRING DRILLS

Test your skills in a variety of drills on offense, defense, and special teams.

GAME FEATURES

Select your Playbooks and Audibles and personalize your game by creating an entire university in your name. You can also create your own player, playbook, sign, and more.

CREATE-A-SCHOOL

From uniform to mascot, create a school and see if it has what it takes to stake a place among the NCAA powerhouses. You can use created schools in Play Now, Dynasty Mode™, and Practice games.

CREATE-A-PLAYER

Build the ultimate college player and then add him to your created team or to any other team.

CREATE-A-PLAYBOOK

Forget taking a page from someone else's playbook—here's your chance to create your very own. Each playbook has twelve formations, nine of which you can customize. The Hail Mary, Goal Line, and Special Teams formations are in each playbook and cannot be changed.

CREATE-A-SIGN

Let your school spirit shine. Create fan signs to tell the opposing team just what you think of them. Fan signs work in all game modes except Online.

FBS/FCS/HISTORIC ROSTERS

View and edit rosters, adjust depth charts, delete players, or auto-name rosters. You can also modify the jersey numbers of any player.

MY NCAA

Customize your Settings or head into My Shrine to check out your Record Book, Trophy Case, Photo Album, and more. You can also Load/Save games from here.

You Played the Game. Now Play the Music.
EA Soundtracks and Ringtones
Available at www.ea.com/eatrx/

LIMITED 90-DAY WARRANTY

Electronic Arts Limited Warranty

Electronic Arts warrants to the original purchaser of this product that the recording medium on which the software program(s) are recorded (the "Recording Medium") and the documentation that is included with this product (the "Manual") are free from defects in materials and workmanship for a period of 90 days from the date of purchase. If the Recording Medium or the Manual is found to be defective within 90 days from the date of purchase, Electronic Arts agrees to replace the Recording Medium or Manual free of charge upon receipt of the Recording Medium or Manual at its service center, postage paid, with proof of purchase. This warranty is limited to the Recording Medium containing the software program and the Manual that were originally provided by Electronic Arts. This warranty shall not be applicable and shall be void if, in the judgment of Electronic Arts, the defect has arisen through abuse, mistreatment or neglect.

This limited warranty is in lieu of all other warranties, whether oral or written, express or implied, including any warranty of merchantability or fitness for a particular purpose, and no other representation of any nature shall be binding on or obligate Electronic Arts. If any such warranties are incapable of exclusion, then such warranties applicable to this product, including implied warranties of merchantability and fitness for a particular purpose, are limited to the 90-day period described above. In no event will Electronic Arts be liable for any special, incidental, or consequential damages resulting from possession, use or malfunction of this Electronic Arts product, including damage to property, and to the extent permitted by law, damages for personal injury, even if Electronic Arts has been advised of the possibility of such damages. Some states do not allow limitation as to how long an implied warranty lasts and/or exclusions or limitation of incidental or consequential damages so the above limitations and/or liability may not apply to you, in such jurisdictions, the Electronic Arts' liability shall be limited to the fullest extent permitted by law. This warranty gives you specific rights. You may also have other rights that vary from state to state.

RETURNS WITHIN THE 90-DAY WARRANTY PERIOD

Please return the product along with (1) a copy of the original sales receipt showing the date of purchase, (2) a brief description of the difficulty you are experiencing, and (3) your name, address and phone number to the address below and Electronic Arts will mail a replacement Recording Medium and/or Manual to you. If the product was damaged through misuse or accident, this 90-day warranty is rendered void and you will need to follow the instructions for returns after the 90-day warranty period. We strongly recommend that you send your products using a traceable delivery method. Electronic Arts is not responsible for products not in its possession.

EA Warranty Information

If the defect in the Recording Medium or Manual resulted from abuse, mistreatment or neglect, or if the Recording Medium or Manual is found to be defective after 90 days from the date of purchase, choose one of the following options to receive our replacement instructions:

Online: <http://warrantyinfo.ea.com>

Automated Warranty Information: You can contact our automated phone system 24 hours a day for any and all warranty questions:

US 1 (850) 628-1001

EA Warranty Mailing Address

Electronic Arts Customer Warranty
209 Redwood Shores Parkway
Redwood City, CA 94065

Package Cover Photography: IconSports

© 2008 Electronic Arts Inc. EA, EA SPORTS, the EA SPORTS logo, and Dynasty Mode are trademarks or registered trademarks of Electronic Arts Inc. in the U.S. and/or other countries. All Rights Reserved. The "Officially Licensed Collegiate Products" label is the exclusive property of The Collegiate Licensing Company. The "Collegiate Licensed Product" label is the property of the Independent Labeling Group. All names, logos, team icons, and mascots associated with the NCAA, universities, bowls and conferences are the exclusive properties of the respective institutions. NCAA is a registered trademark of National Collegiate Athletic Association and the NCAA Football logo is a registered trademark of the NCAA licensed to NCAA Football USA, Inc. Heisman Memorial Trophy and likeness of the actual trophy are registered service marks by the Downtown Athletic Club under registration numbers 936,853 and 935,852 respectively. All other trademarks are the property of their respective owners.

RSA BSAFE® SSL-C and Crypto-C software from RSA Security Inc. have been installed. RSA is a registered trademark of RSA Security Inc. BSAFE is a registered trademark of RSA Security Inc. in the United States and other countries. RSA Security Inc. All rights reserved.

This software uses "DNAS" (Dynamic Network Authentication System), a proprietary authentication system created by Sony Computer Entertainment Inc. to provide security and to help protect copyrighted content. The unauthorized transfer, exhibition, export, import or transmission of programs and devices circumventing its authentication scheme may be prohibited by law. For additional information, see www.us.playstation.com/DNAS.

This software uses "DNAS" (Dynamic Network Authentication System), a proprietary authentication system created by Sony Computer Entertainment Inc. to provide security and to help protect copyrighted content. The unauthorized transfer, exhibition, copy protection, account blocking, system, rules, or game management and other purposes. The information collected does not identify the user personally and will not be shared with any non-SCE company. A PUBLISHER CAN COMBINE THIS INFORMATION WITH PERSONALLY IDENTIFYING INFORMATION FROM THE PUBLISHER'S RECORDS IF THE USER PROVIDES THE PERSONALLY IDENTIFYING INFORMATION. BEFORE PROVIDING ANY PERSONAL INFORMATION TO A PUBLISHER, PLEASE BE SURE TO REVIEW THE PUBLISHER'S PRIVACY POLICY AND TERMS AND CONDITIONS OF USE. DO NOT PROVIDE PERSONALLY IDENTIFYING INFORMATION TO A PUBLISHER UNLESS YOU ACCEPT THE CONDITIONS OF USE AND TERMS OF THEIR PRIVACY POLICY. SCEI, Sony Computer Entertainment America ("SCEA") and their affiliates cannot guarantee the continuous operation of the "DNAS" servers. SCEA shall not be liable for any delay or failure of the "DNAS" servers to perform. If you receive a message during login identifying a "DNAS" authentication error, please contact SCEA Consumer Services at 1-866-466-5333. For additional information concerning "DNAS", visit www.us.playstation.com/DNAS. In the event of a systems incompatibility or inoperability with DNAS, the sole liability of SCEI, SCEA and their affiliates shall be limited to the repair or replacement of the user's affected game software, console, or peripherals at the option of SCEA. SCEA, its parents, affiliates, or licensed Publishers shall not be liable for any delays, systems failures, authentication failures, or system outages, which may, from time to time, affect online game play or access thereto.