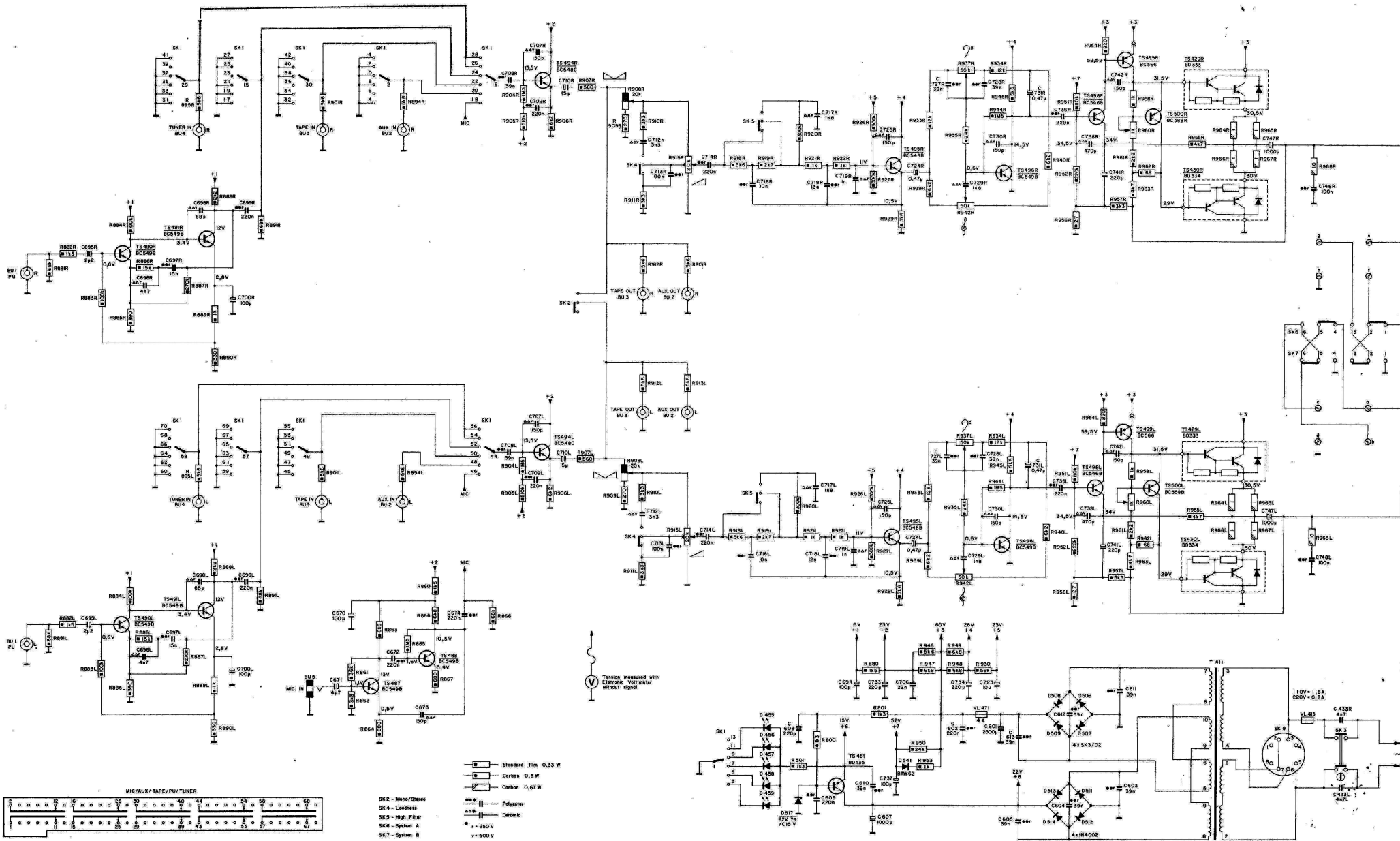


CÓD. 325

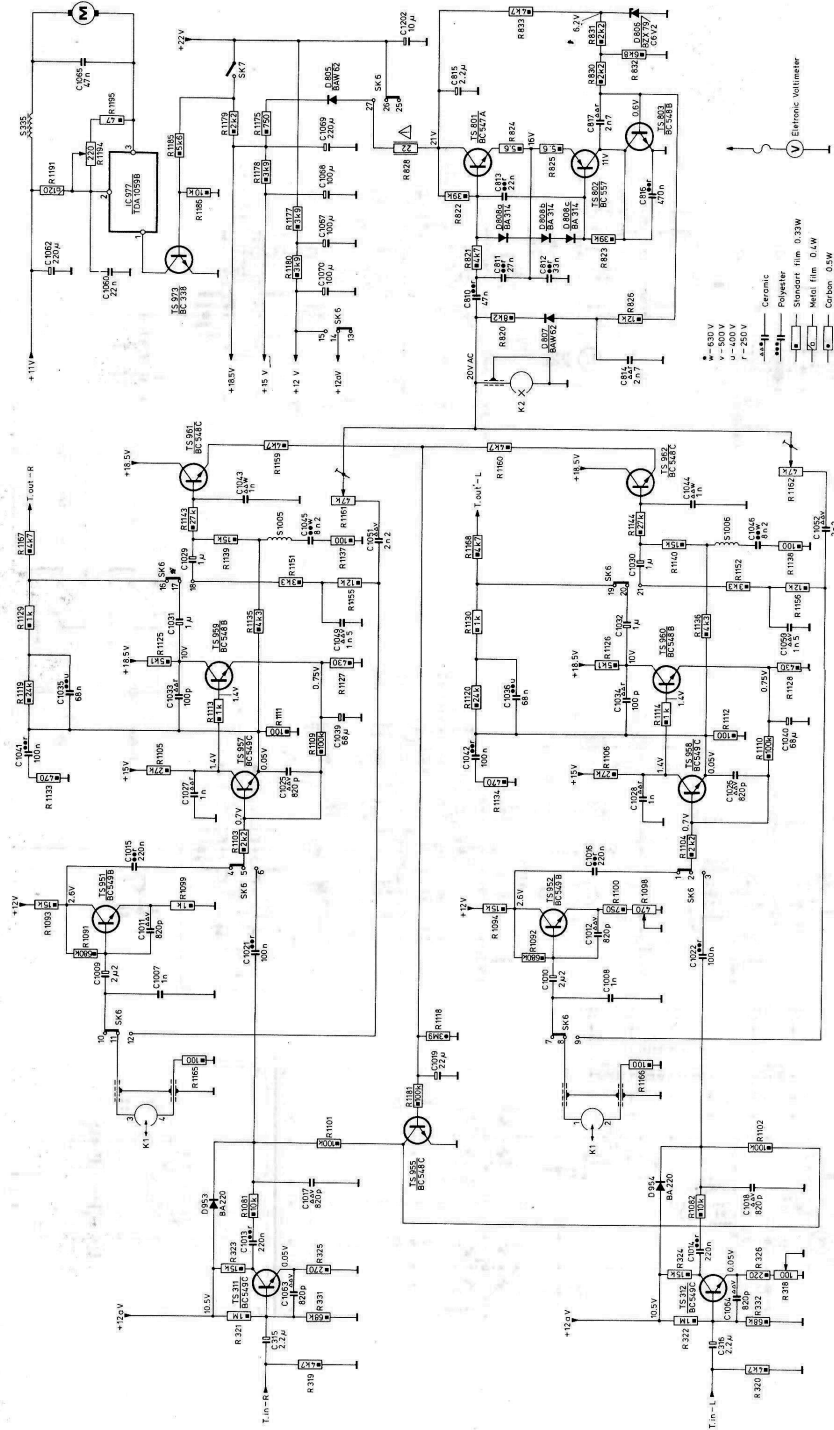
**PHILLIPS**

**DIAGRAMAS  
ESQUEMÁTICOS  
AUDIO  
VOL. 4**

*eltec*



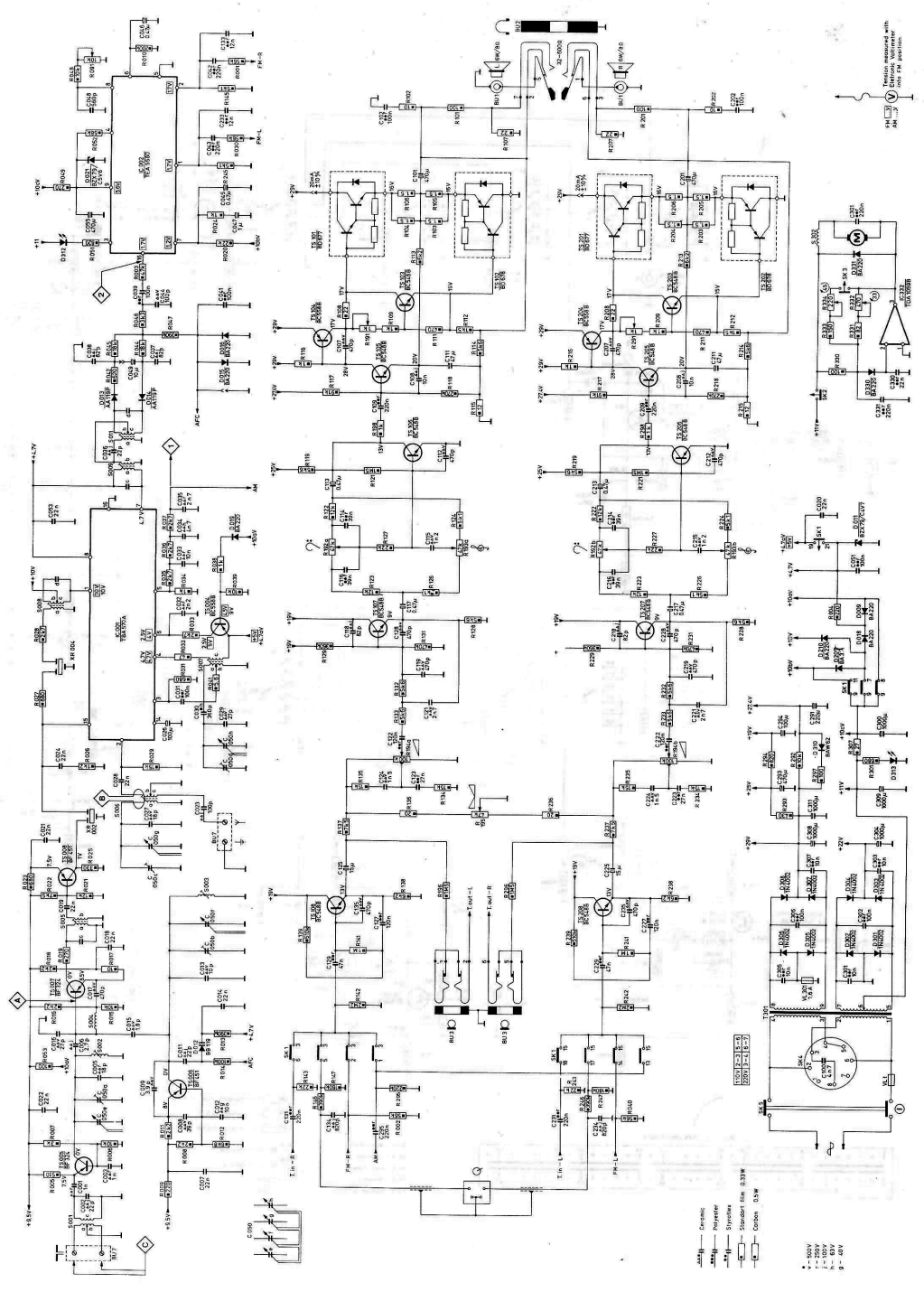




+11V  
 +8.5V  
 +15V  
 +12V  
 +10V  
 +20V  
 +27V

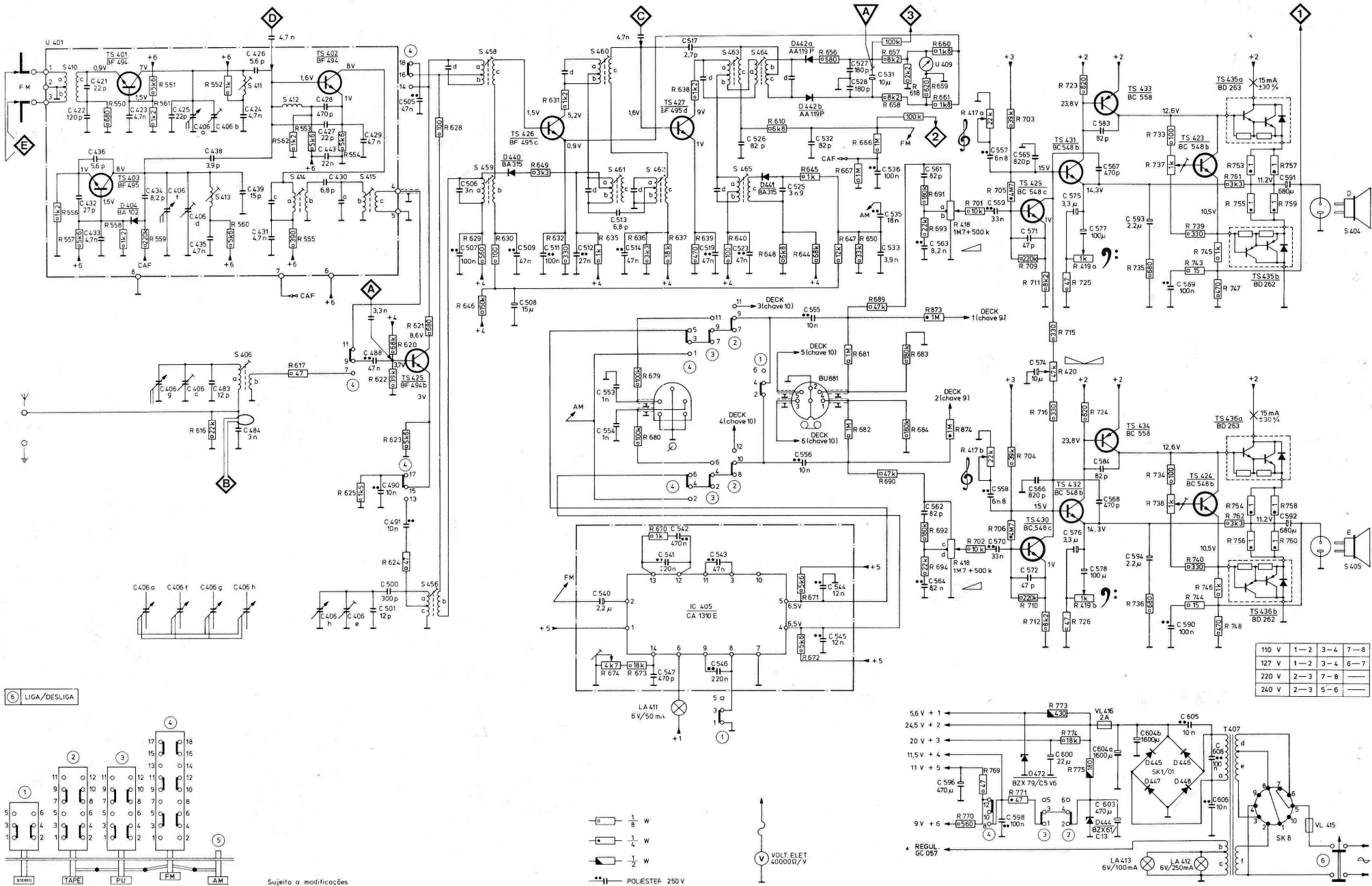
Ceramic  
 Polyester film 0.33W  
 Standard film 0.1W  
 Metal film 0.4W  
 Carbon 0.5W

Electronic Voltmeter  
 250V AC



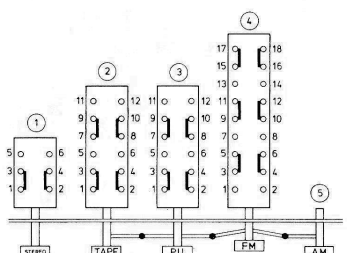
Ceramic  
 Polyester  
 Synthetic  
 Standard film 0.33W  
 Carbon 0.5W

1000Ω  
 500V  
 100V  
 50V



110 V	1-2	3-4	7-8
127 V	1-2	3-4	6-7
220 V	2-3	7-8	---
240 V	2-3	5-6	---

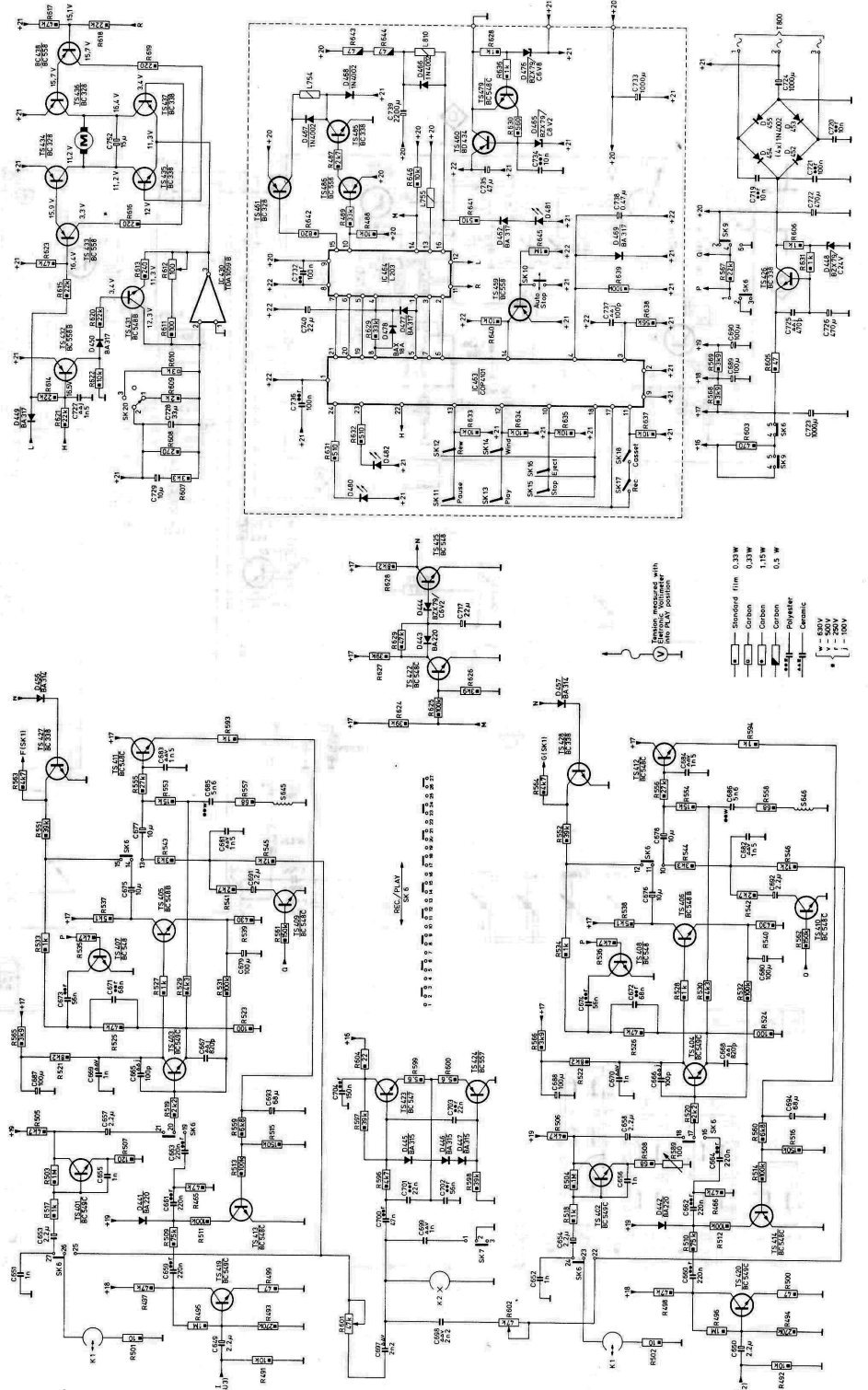
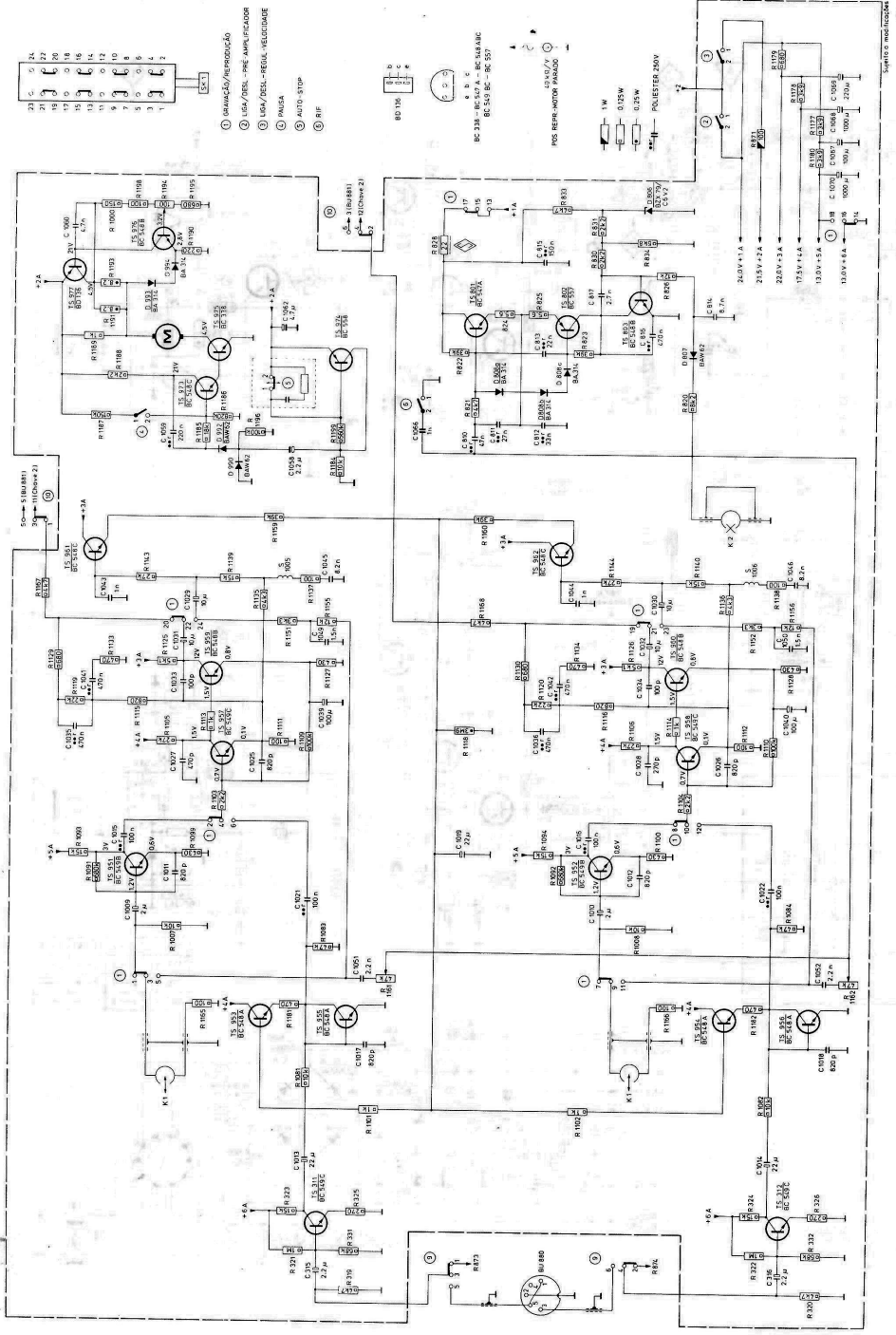
⑥ LIGA/DES.LIGA

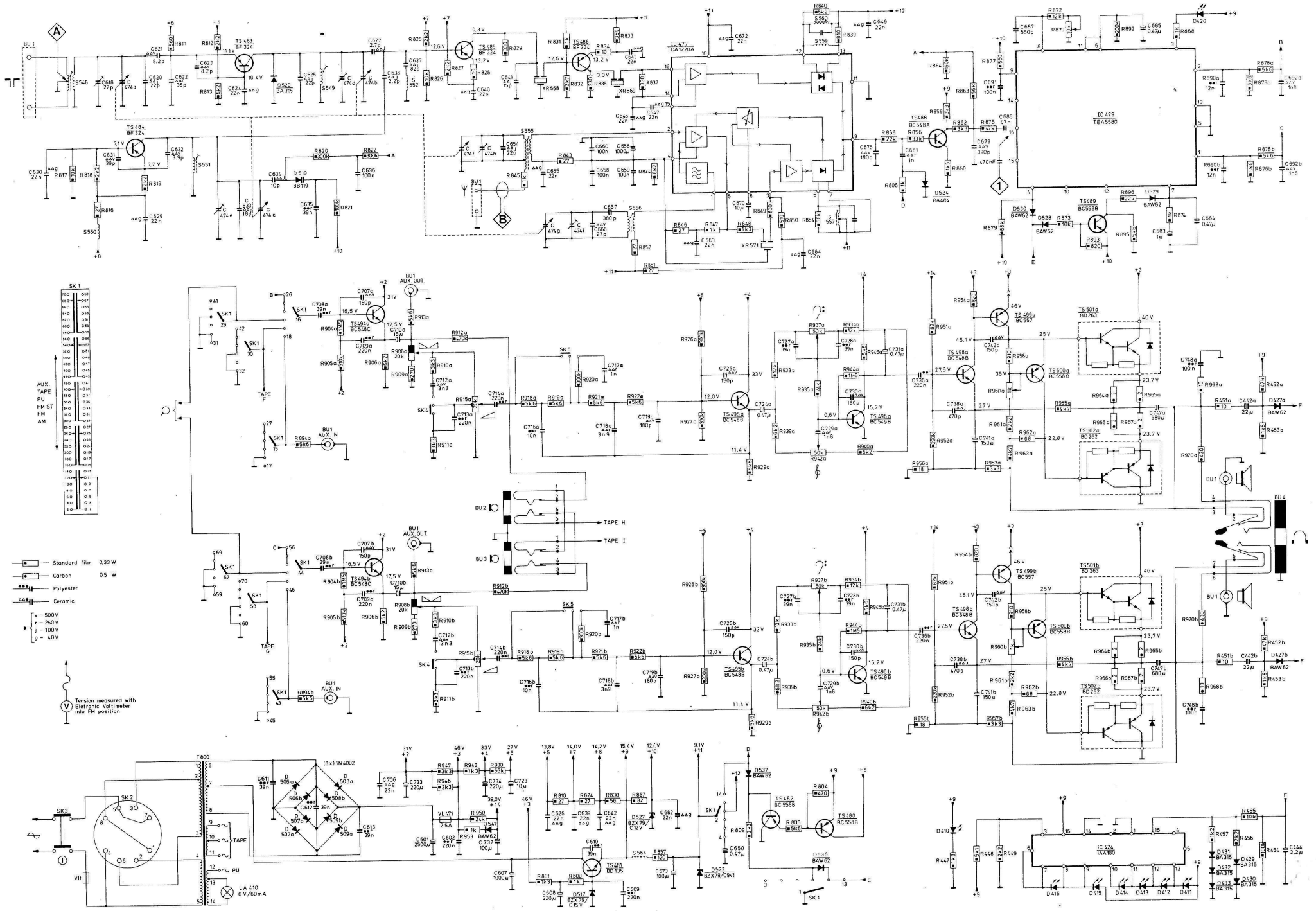


Sujeito a modificações

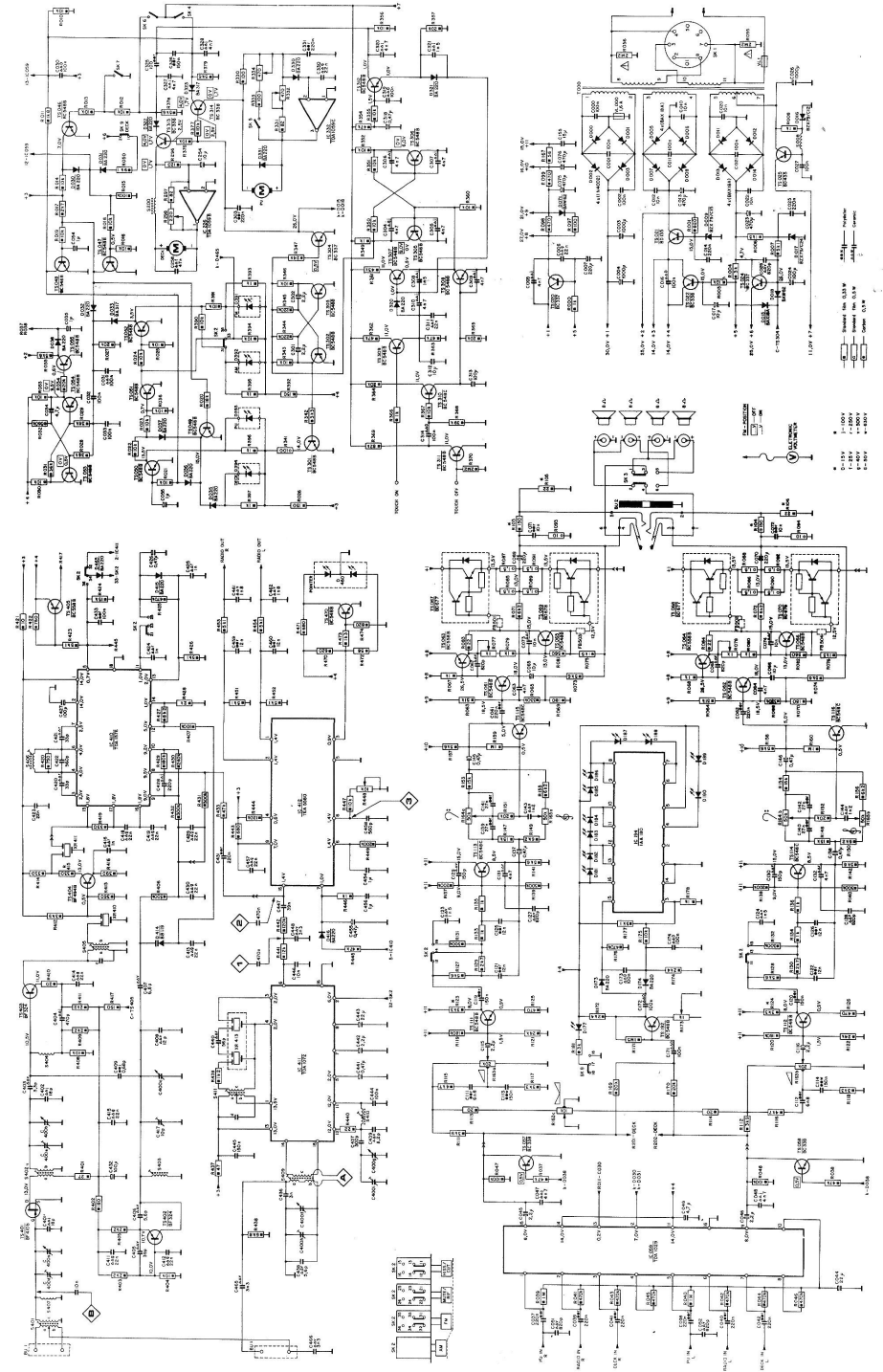
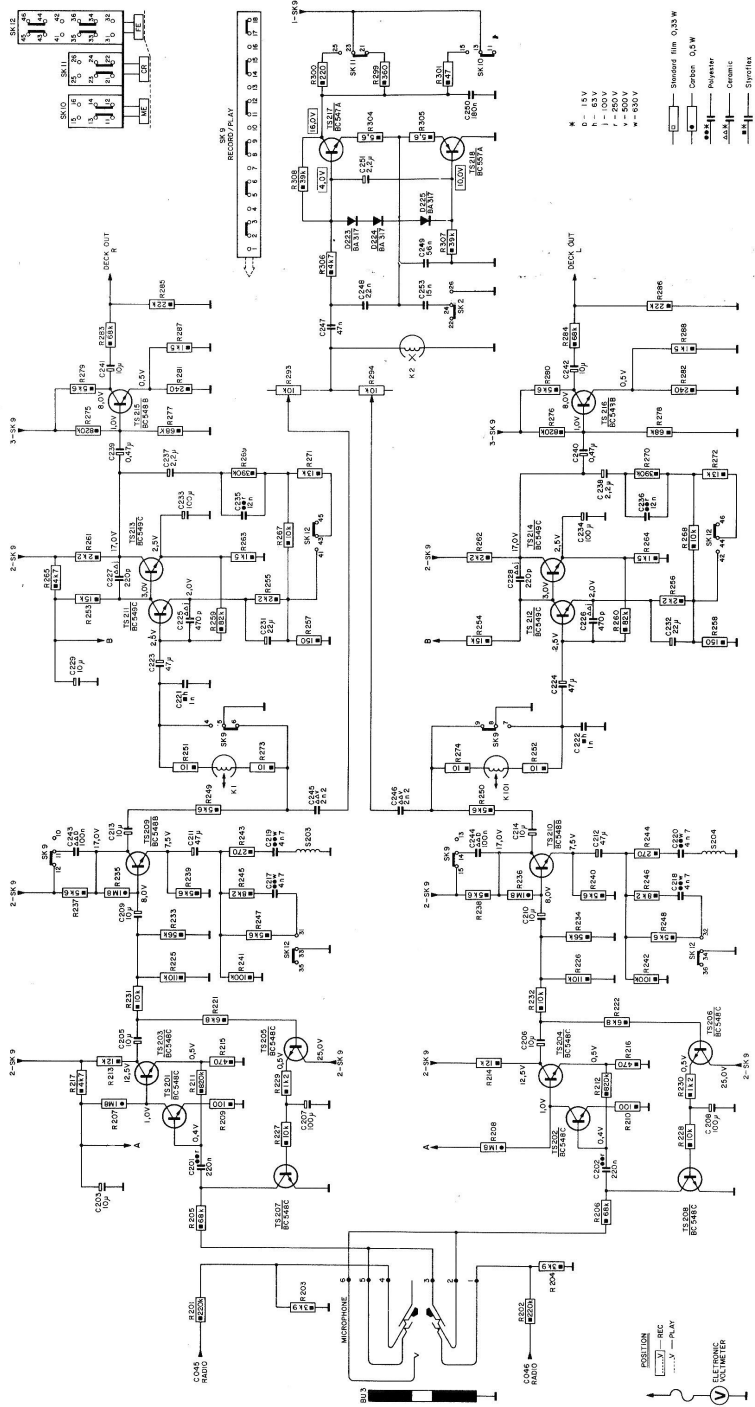
- 1/8 W
- 1/4 W
- 1/2 W
- POLIESTER 250 V

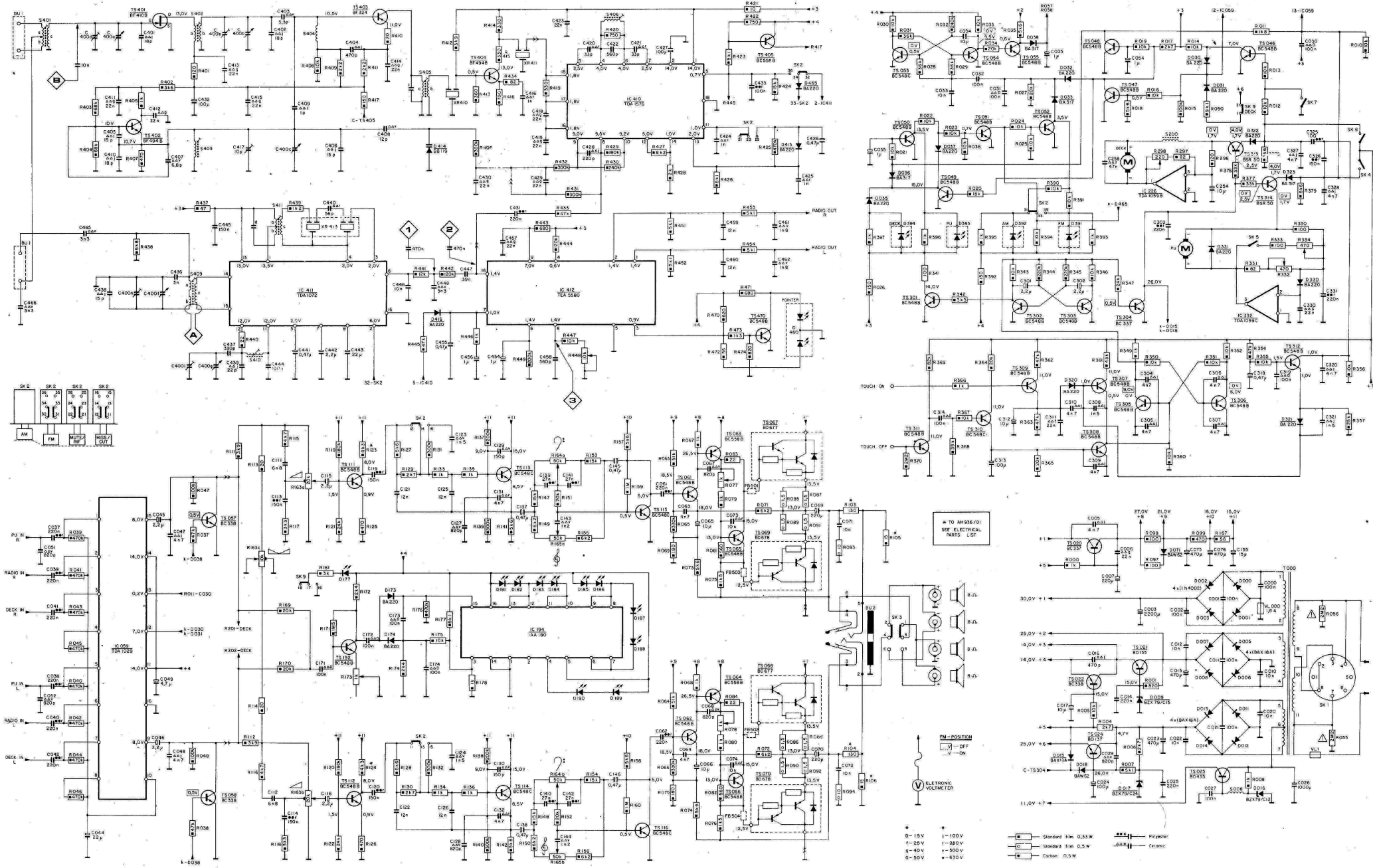












\* TO AM936/01  
SEE ELECTRICAL PARTS LIST

FM POSITION  
ON-OFF

ELECTRONIC VOLTMETER

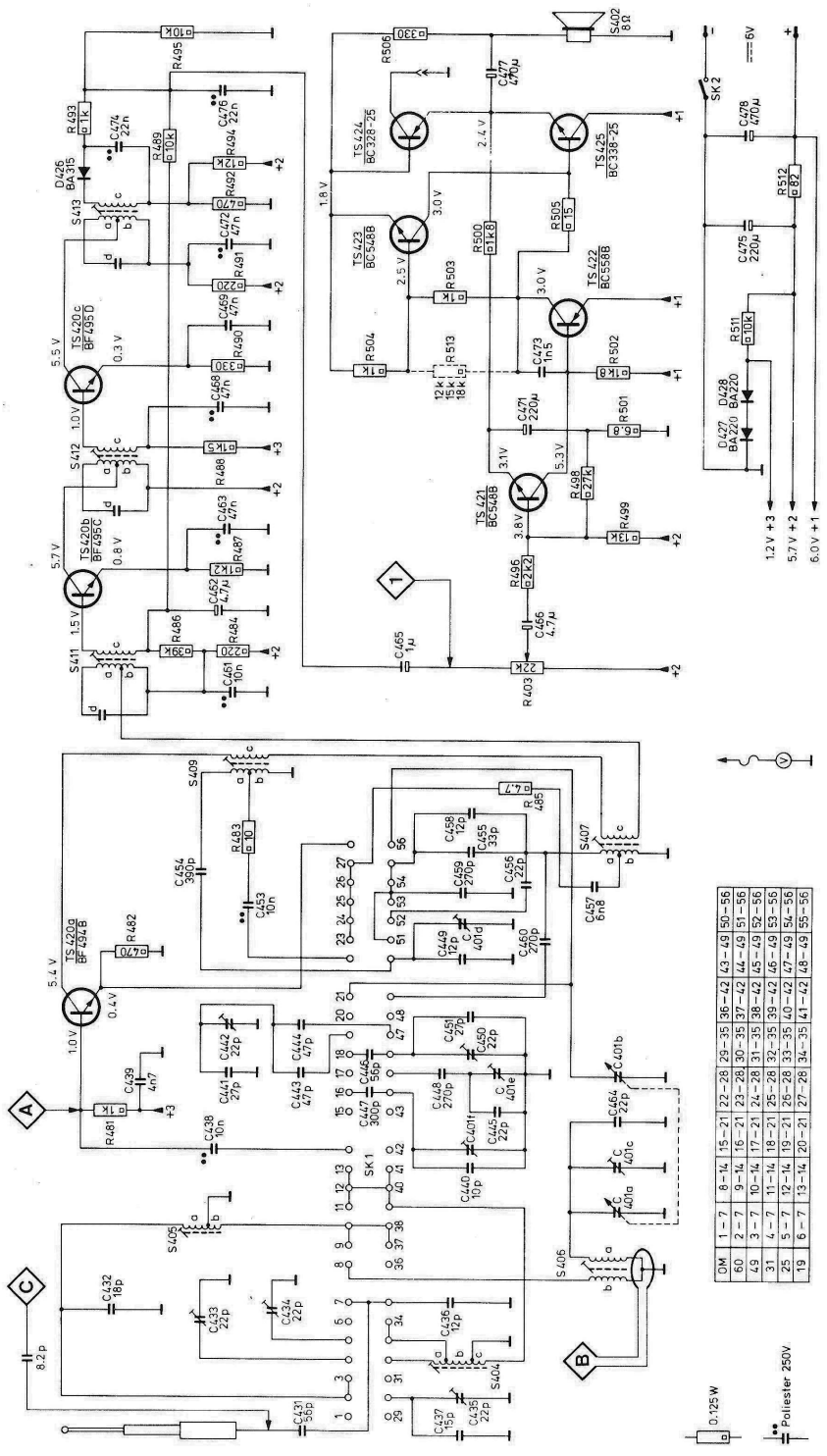
D- 15V	I- 100V	□	Standard film 0.33W	□	Polyester
T- 25V	T- 200V	○	Standard film 0.5W	□	Ceramic
G- 50V	V- 300V	□	Carbon 0.5W		
S- 50V	V- 450V				





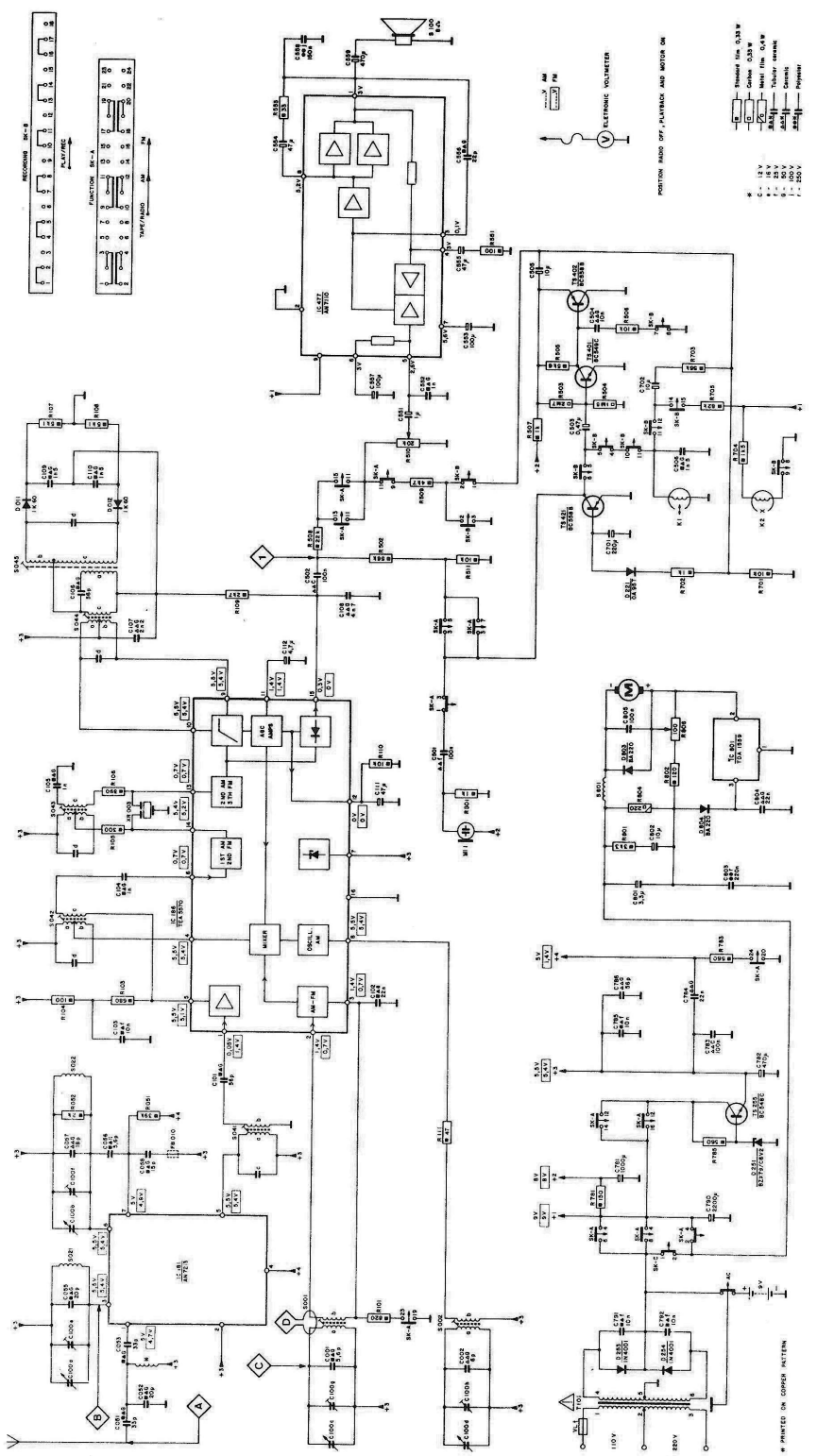






DM	1-7	8-14	15-21	22-28	29-35	36-42	43-49	50-56
50	2-7	9-14	16-21	23-28	30-35	37-42	44-49	51-56
49	3-7	10-14	17-21	24-28	31-35	38-42	45-49	52-56
31	4-7	11-14	18-21	25-28	32-35	39-42	46-49	53-56
25	5-7	12-14	19-21	26-28	33-35	40-42	47-49	54-56
19	6-7	13-14	20-21	27-28	34-35	41-42	48-49	55-56

0.125W  
 Poliestere Z50V



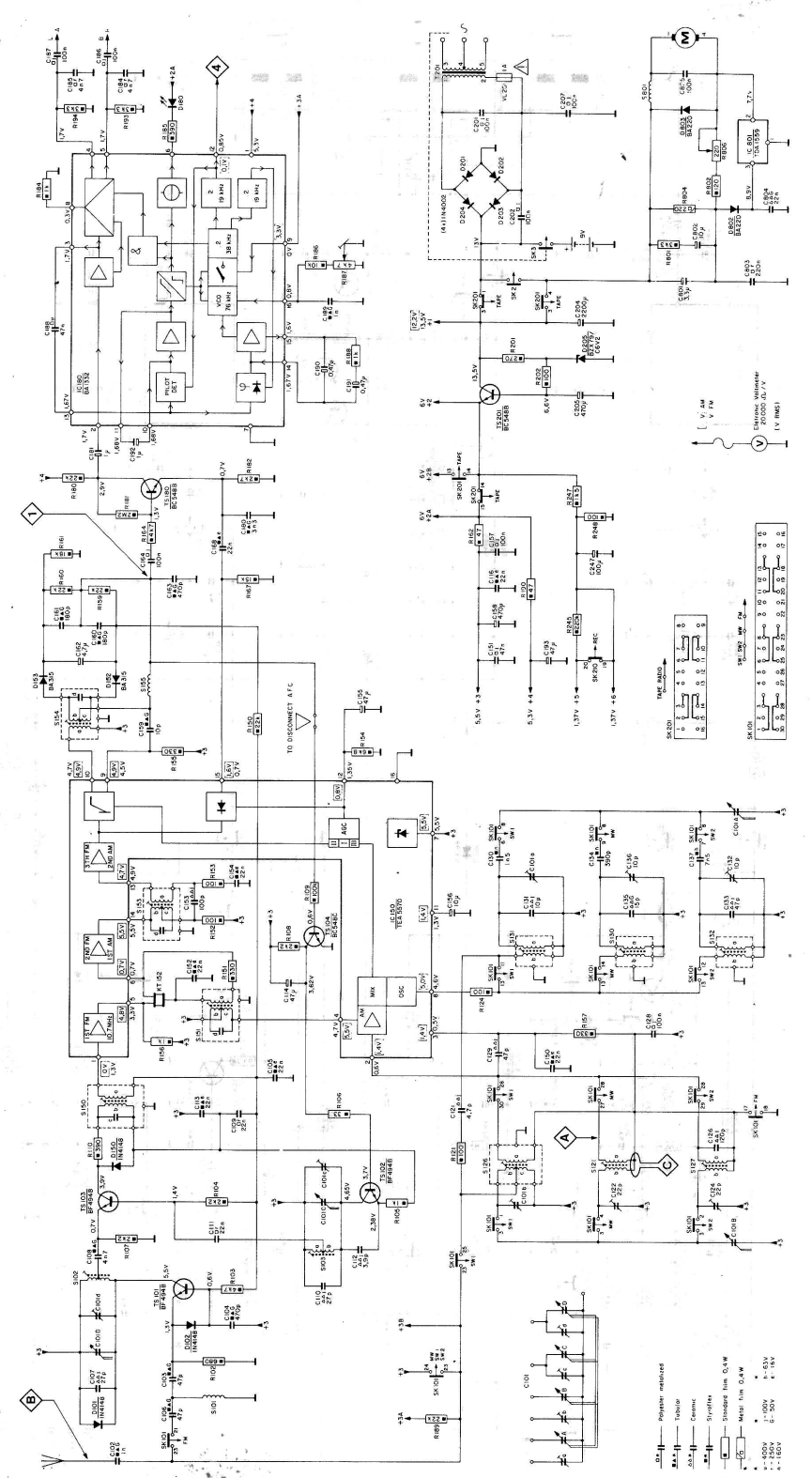
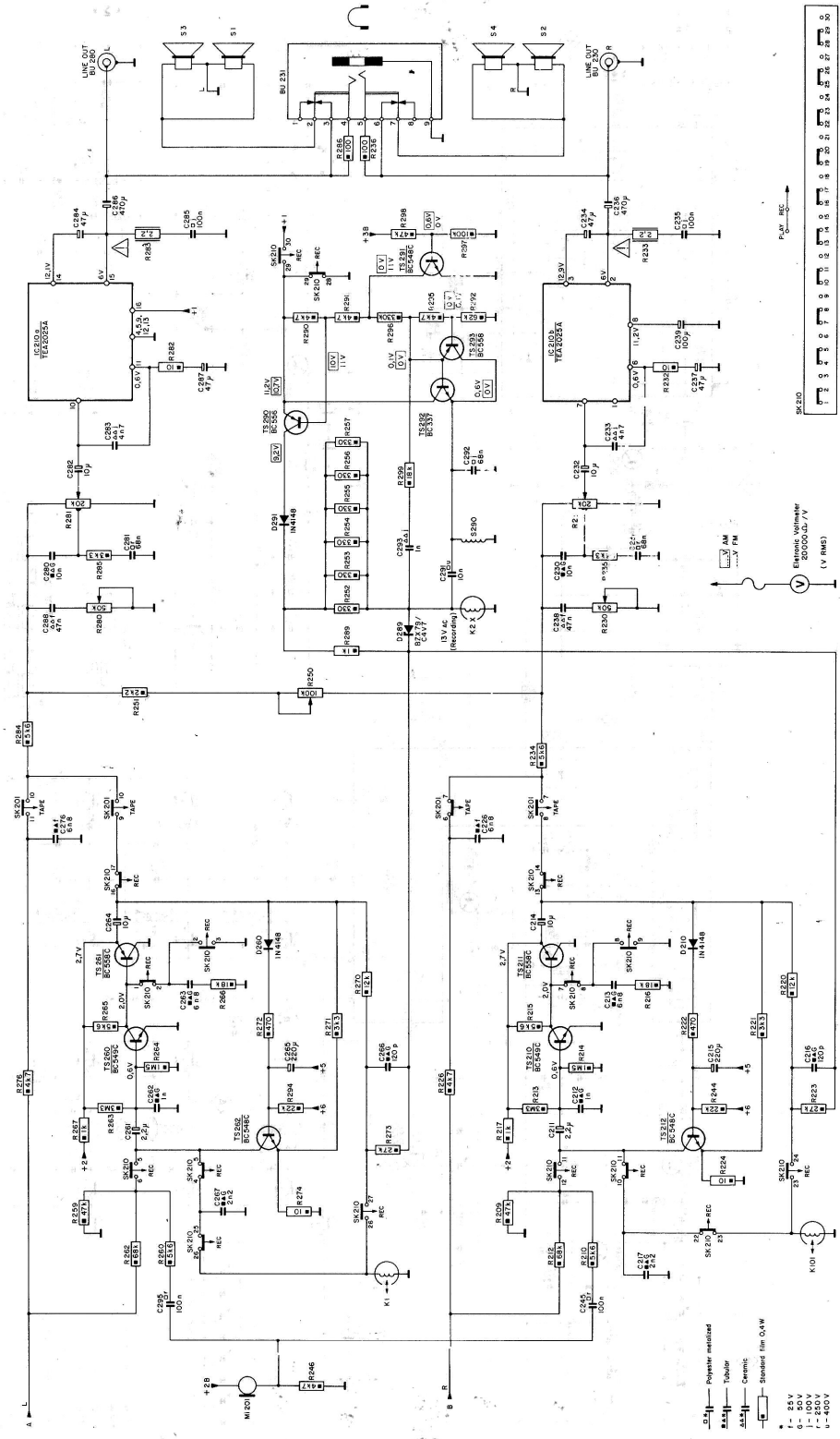
RECORDED IN 8  
 PLAYING  
 TIME/PAUSE  
 FUNCTION  
 STOP  
 REVERSE  
 PAUSE  
 F.F.  
 SLOW  
 STOP  
 REVERSE  
 PAUSE  
 F.F.  
 SLOW  
 STOP

POSITION HAND OFF, TRACK AND MOTOR ON

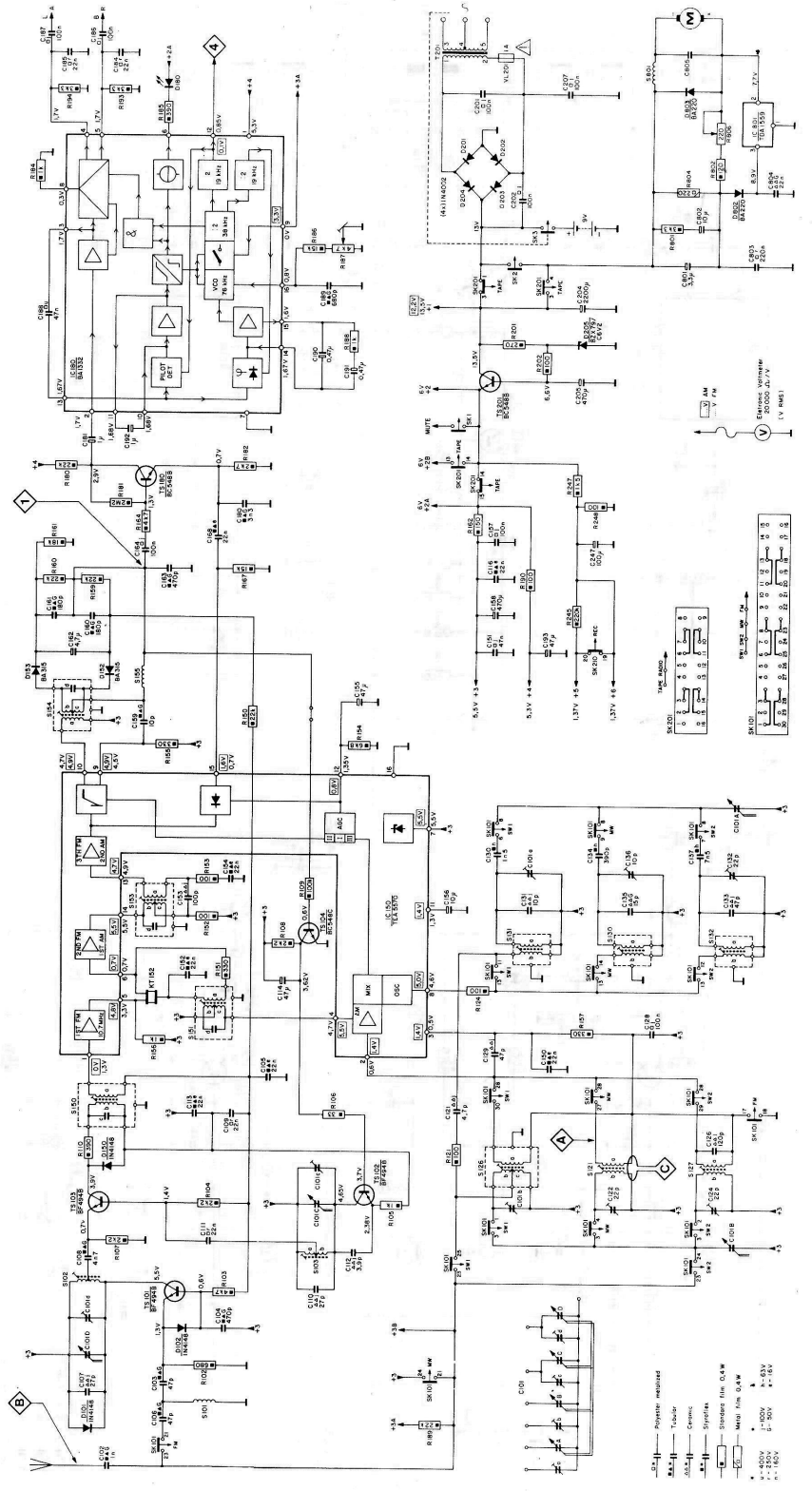
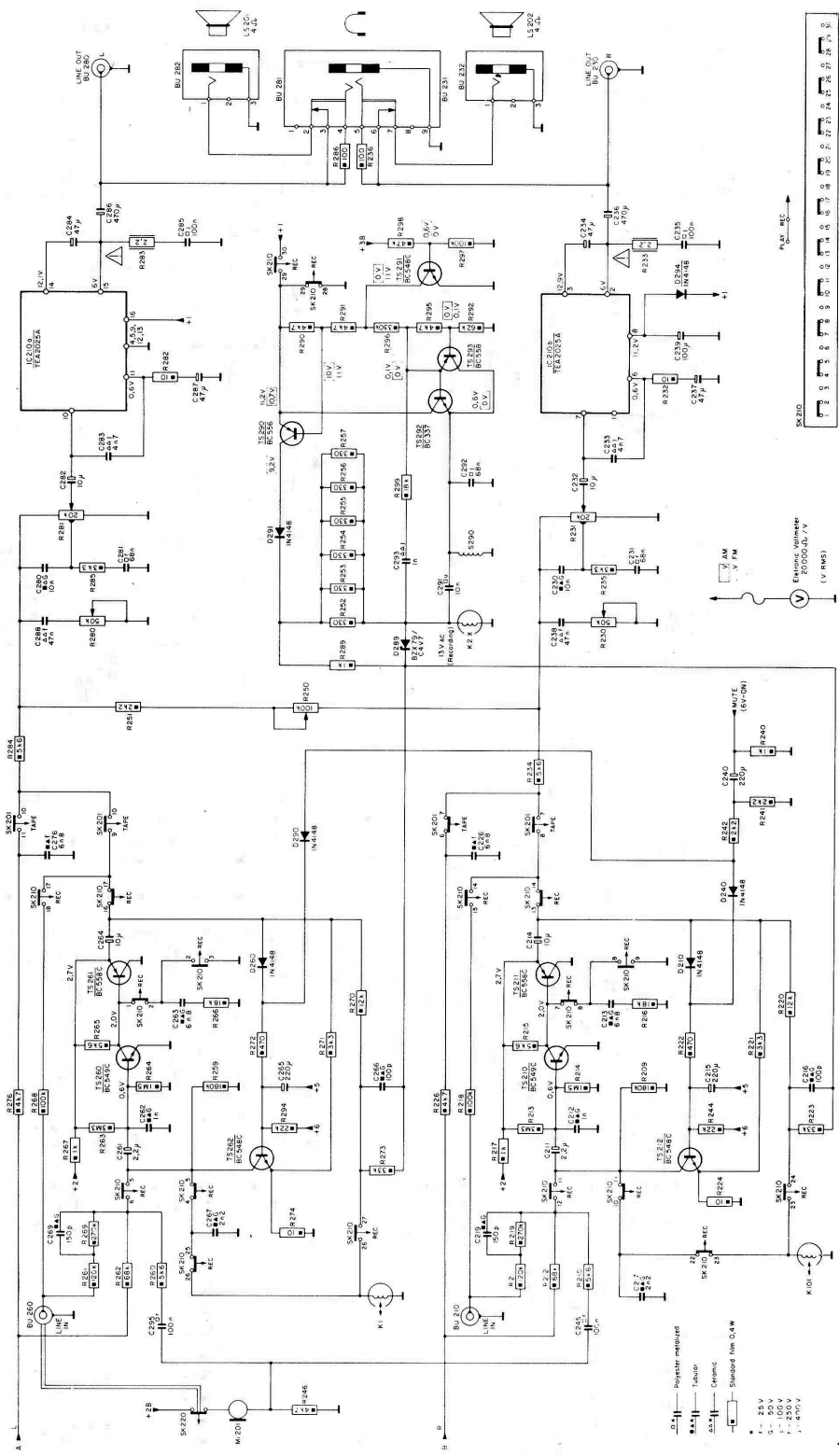
ULTRASONIC VOLUMETER

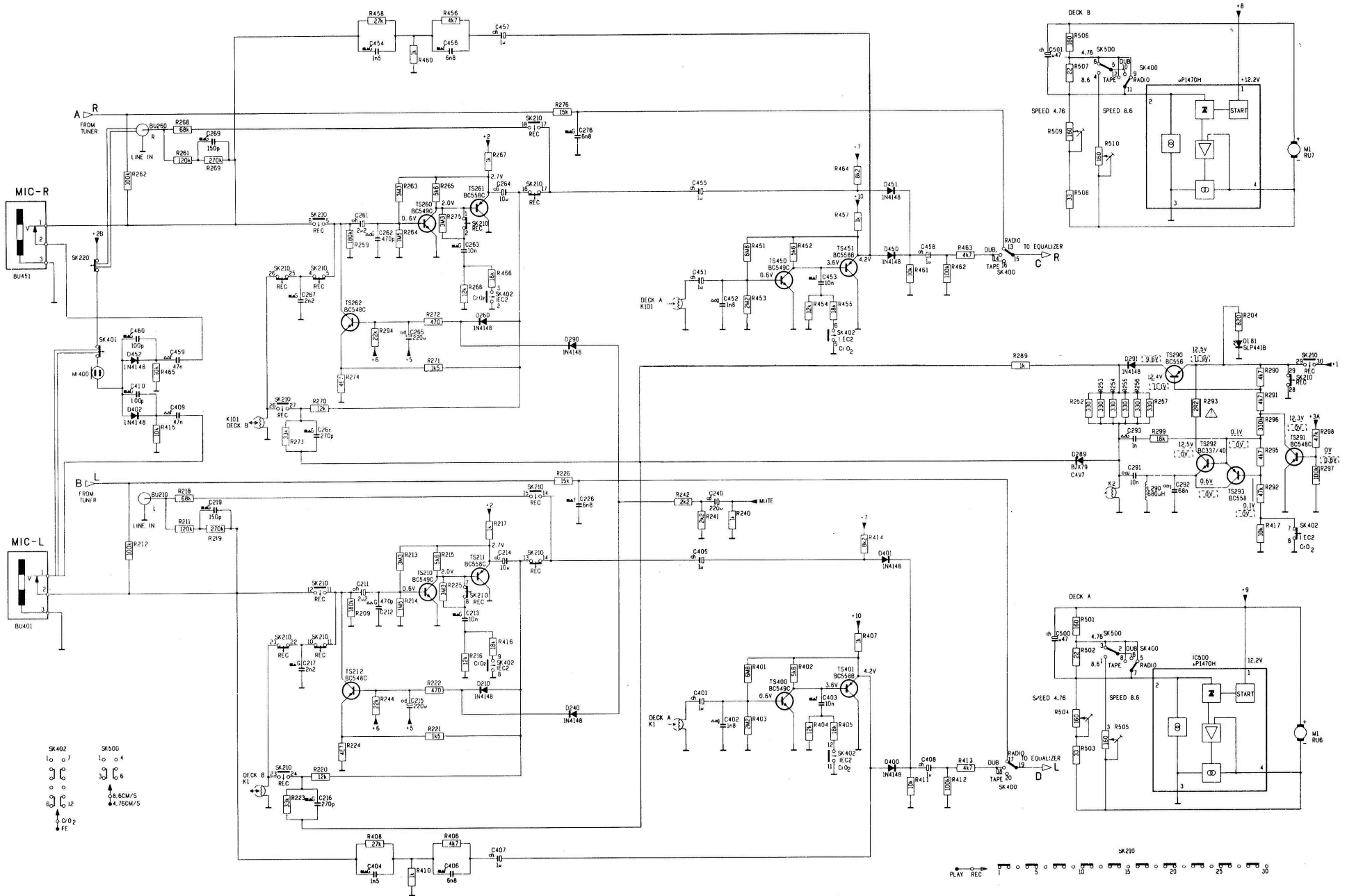
REVERSE THE 0.3A  
 CHINA 0.3A  
 METAL 0.3A  
 THICK WIRE  
 1.200V  
 1.200V

PRINTED IN COMPA ITALIA



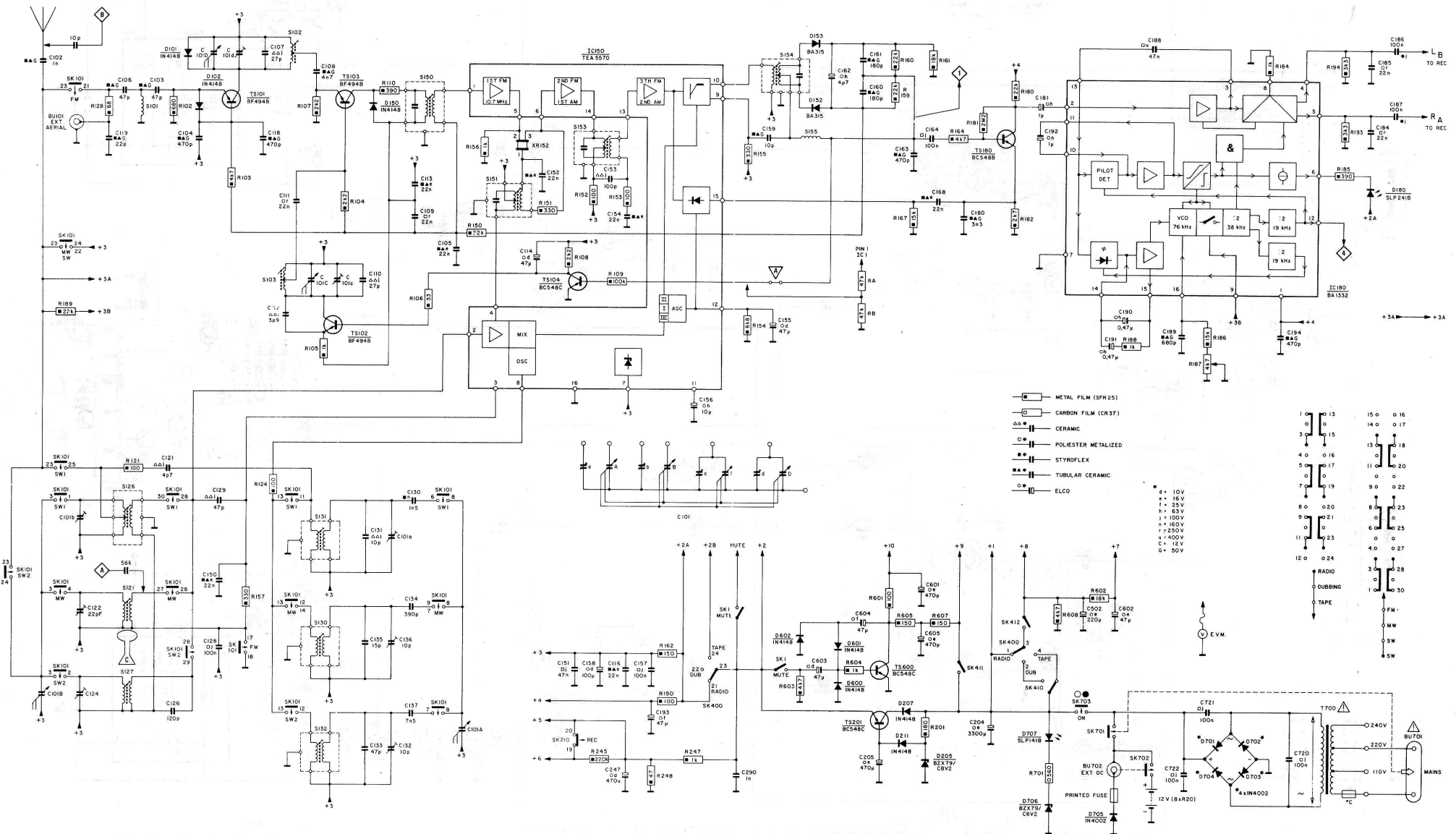
# 06AR550 - RÁDIO GRAVADOR ESTÉREO

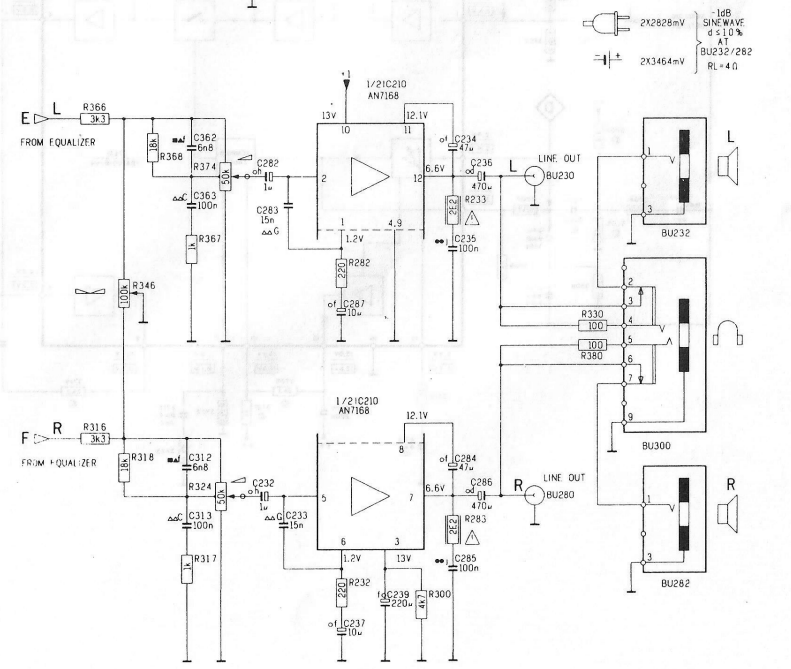
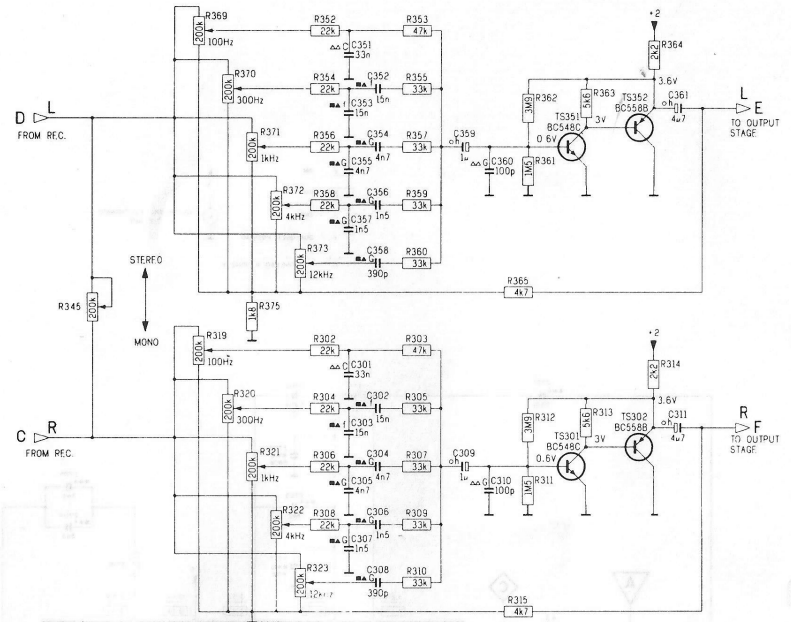
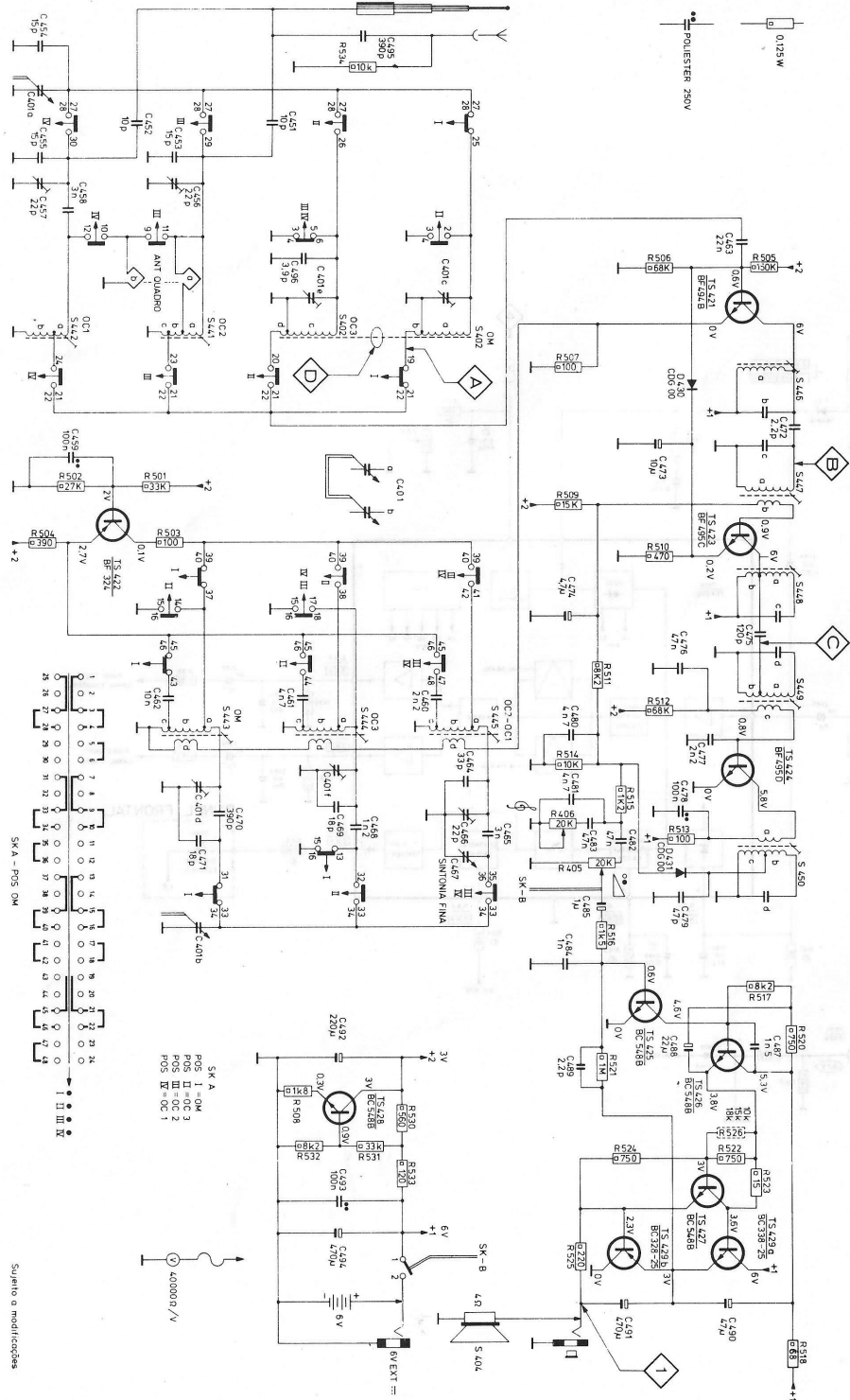






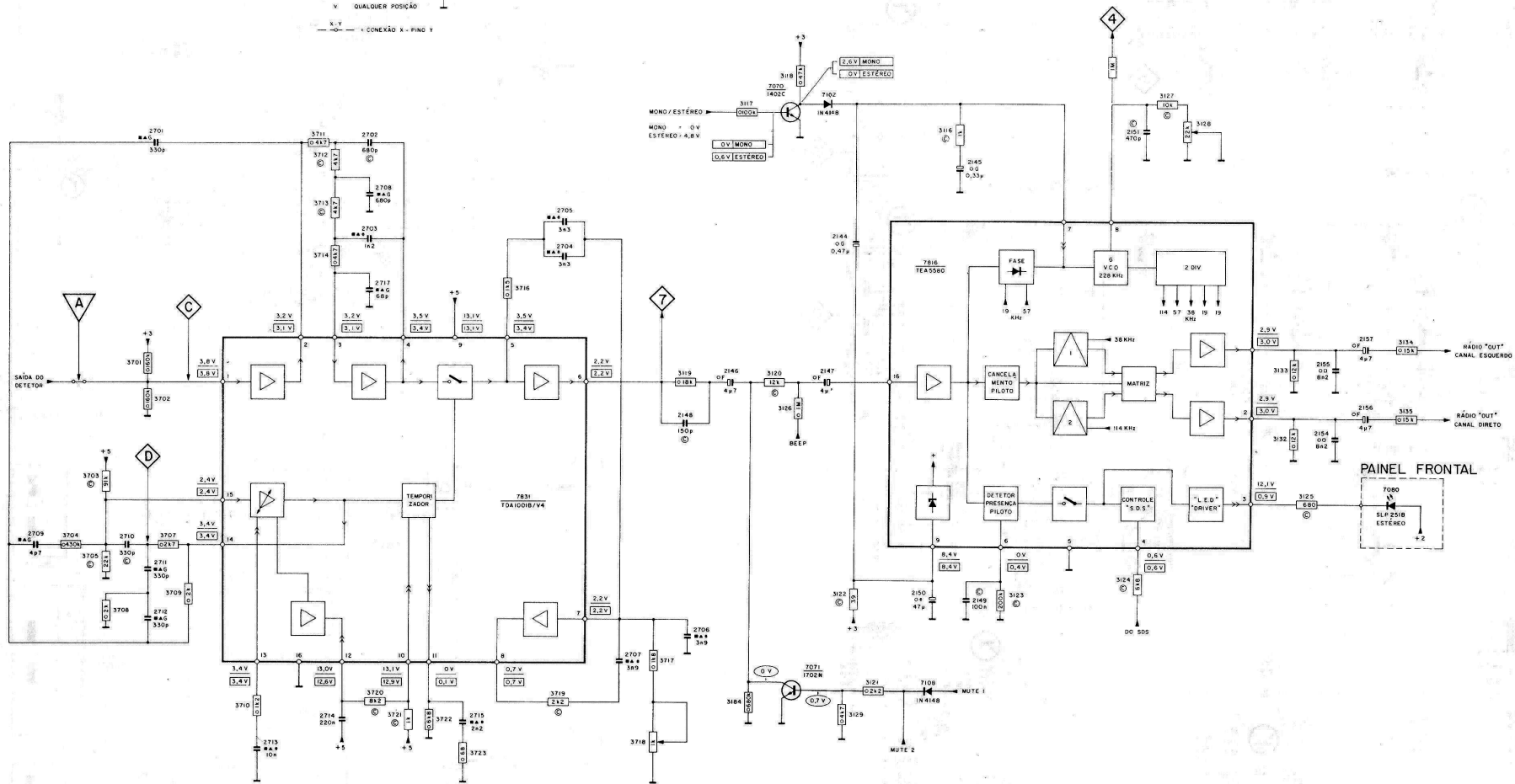
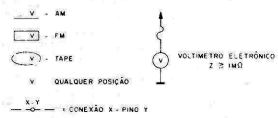
# 06AR675 - RÁDIO GRAVADOR ESTÉREO 2 DECKS

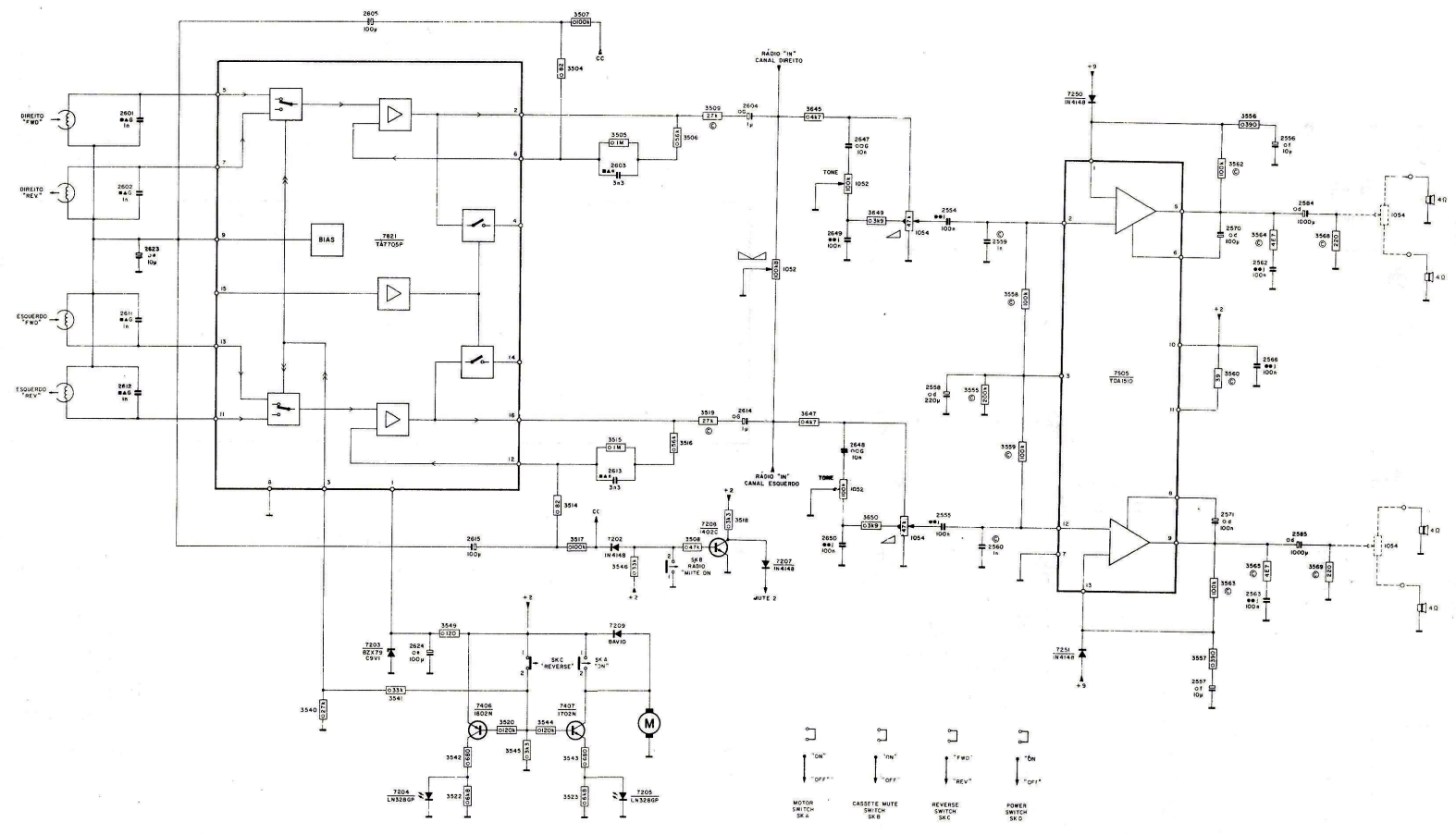




100V  
 2X3464mV  
 100V  
 2X2828mV  
 SIN WAVE  
 d ± 10%  
 AT  
 BU232/282  
 RL = 4Ω

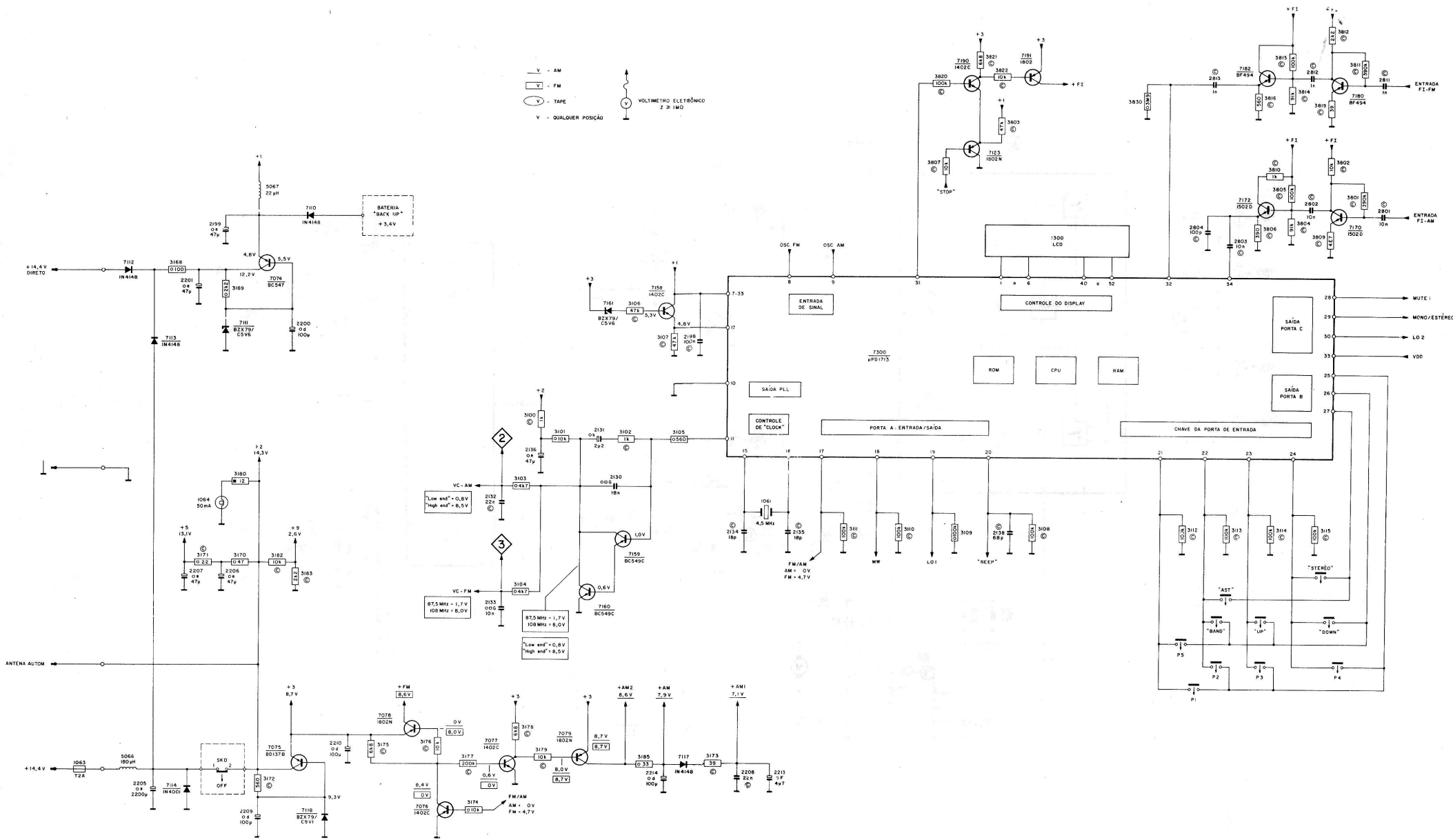
Subjeto a modificaciones

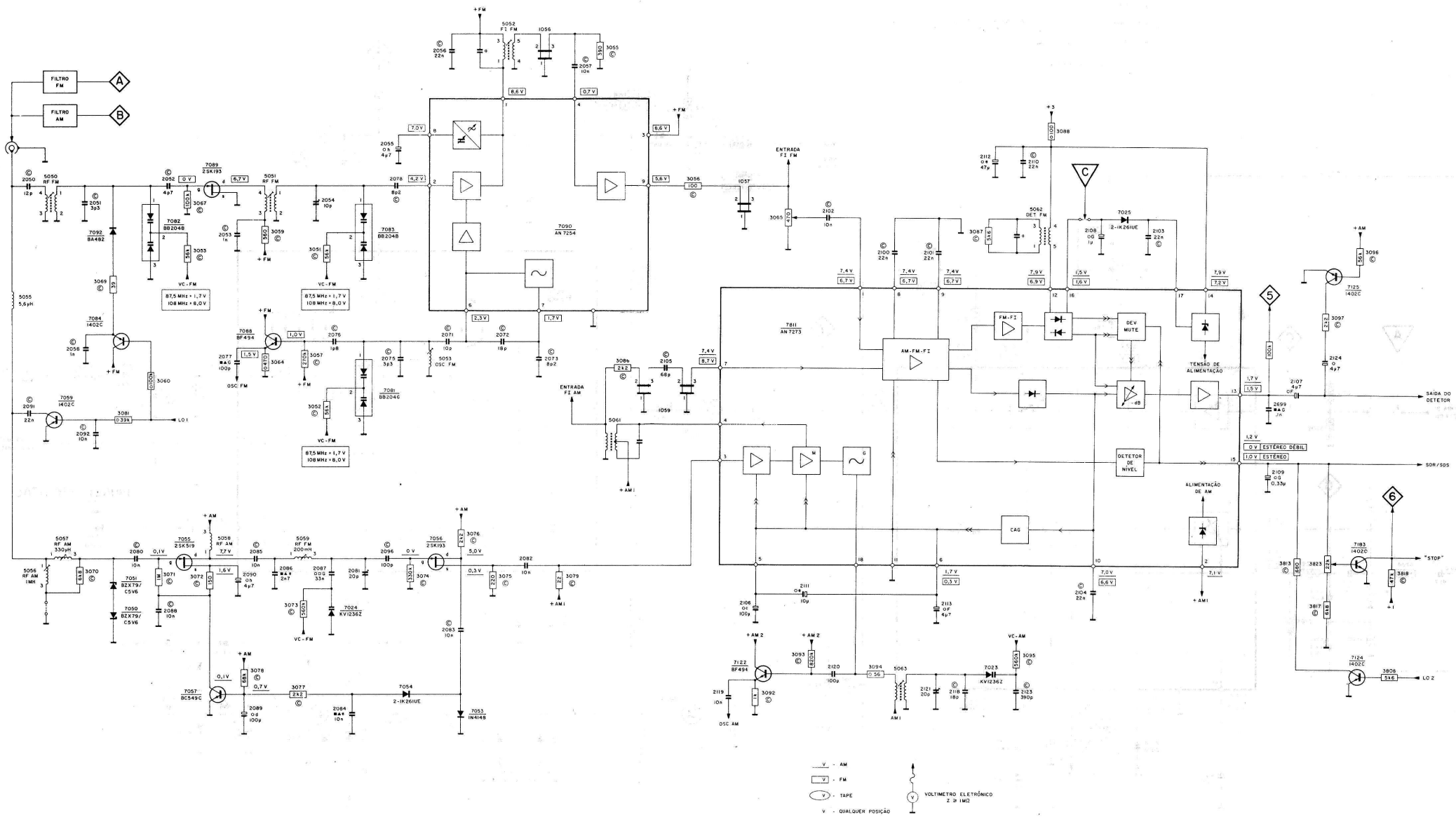


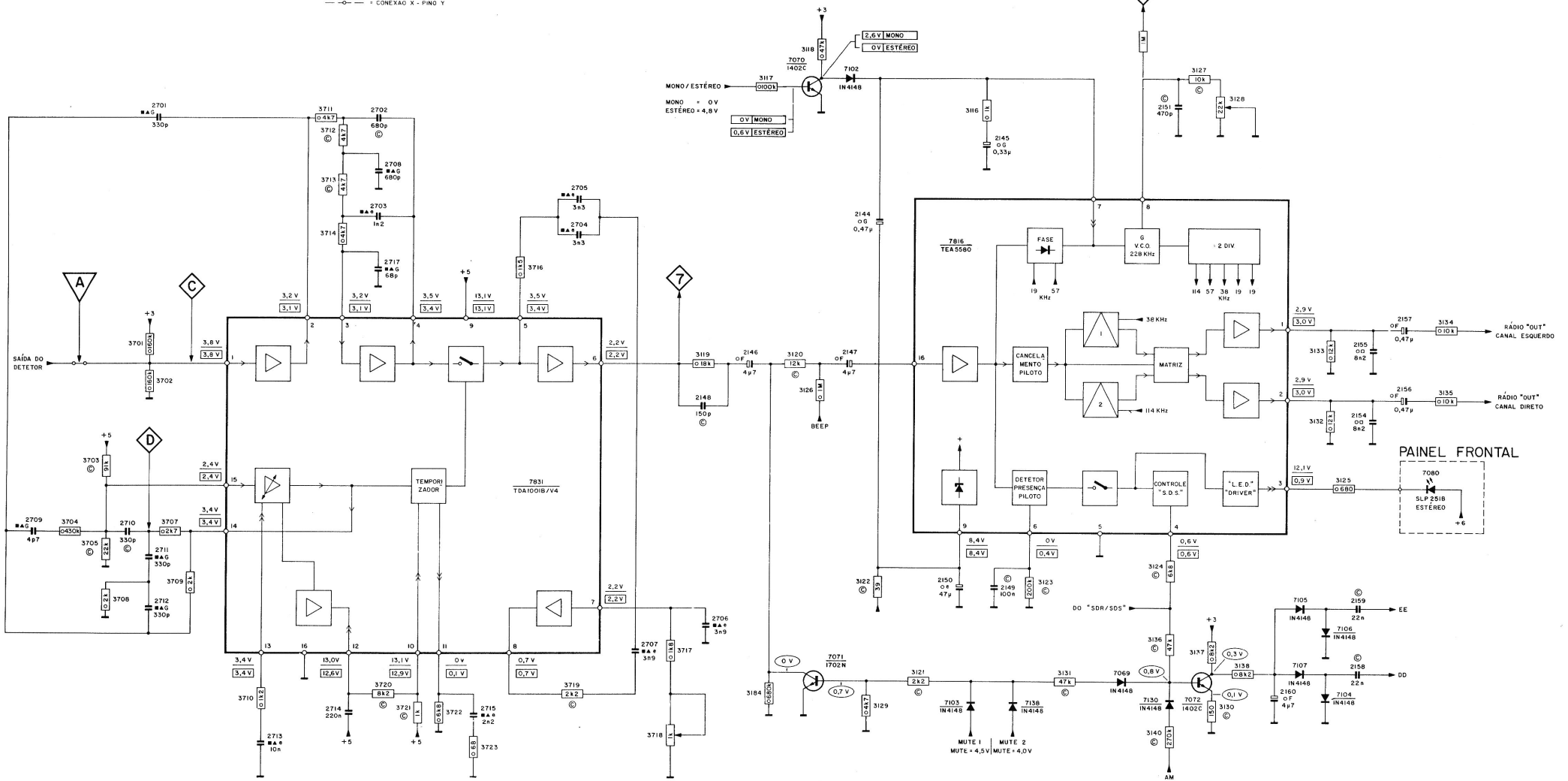
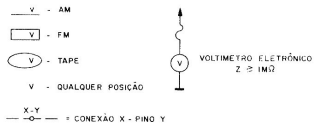


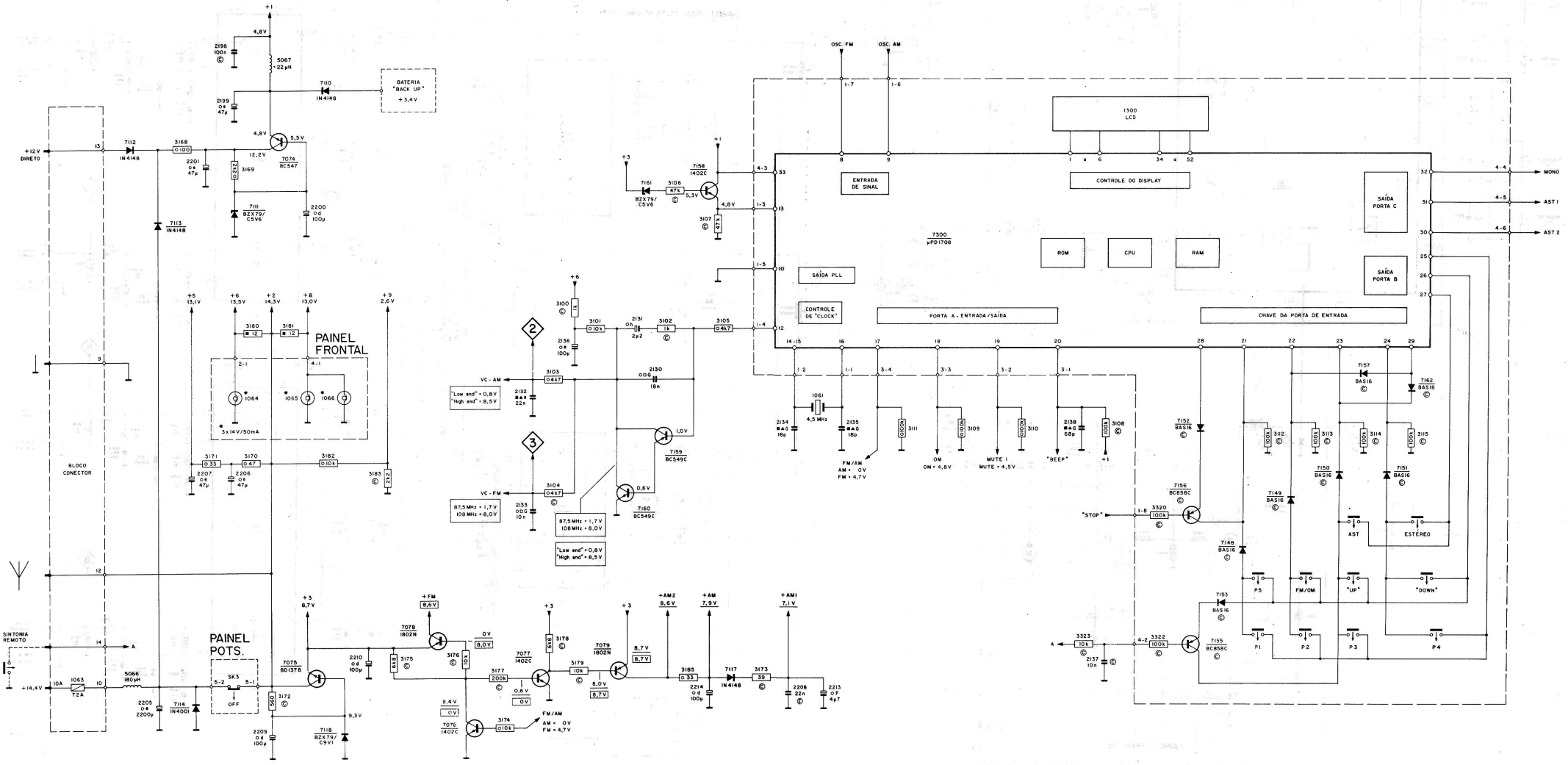
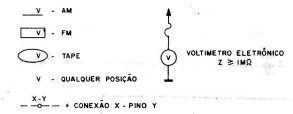


# DC-600 - AUTO RÁDIO - TOCA FITAS - PAINEL PRINCIPAL

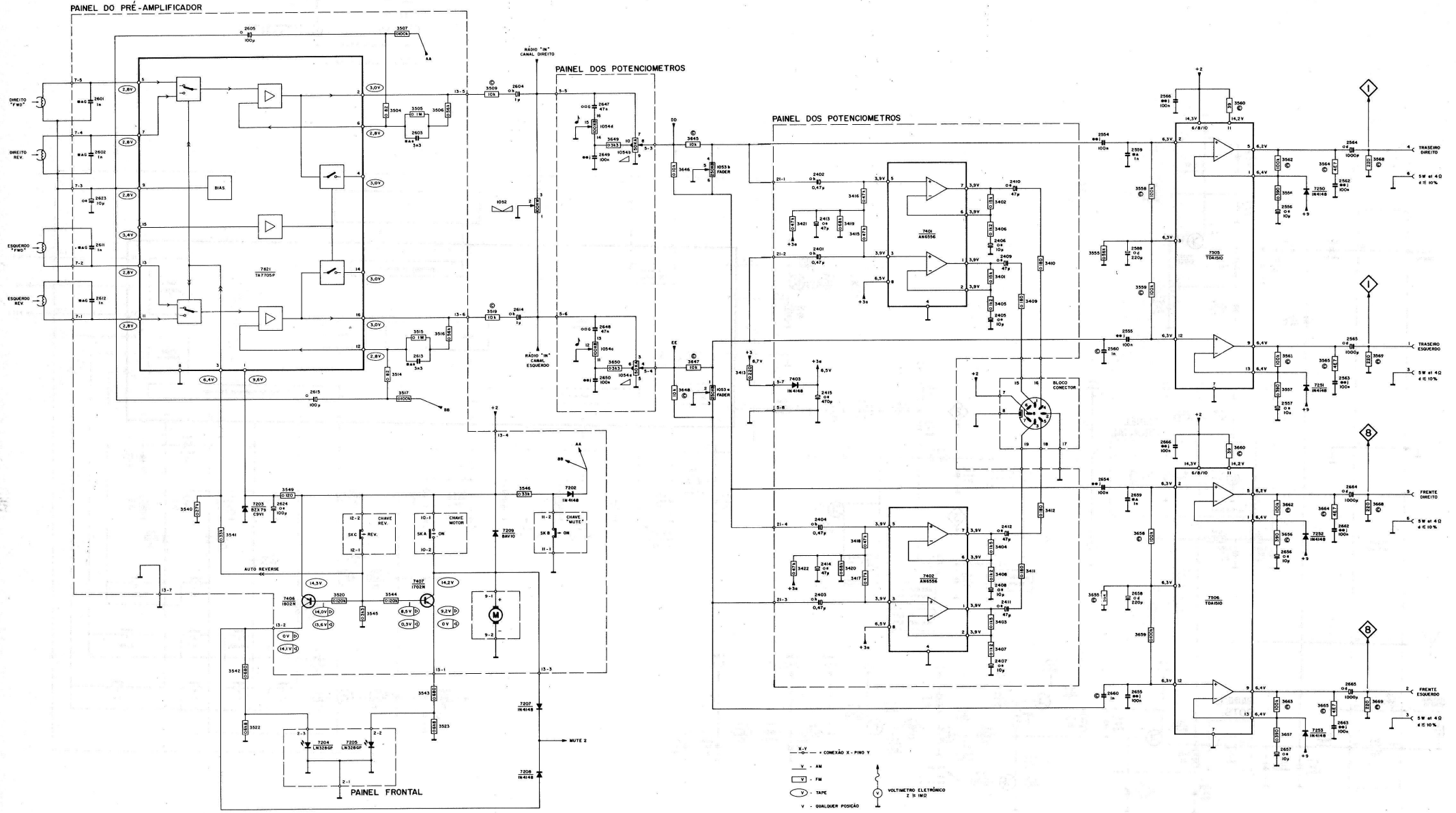


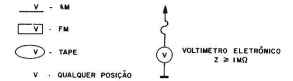
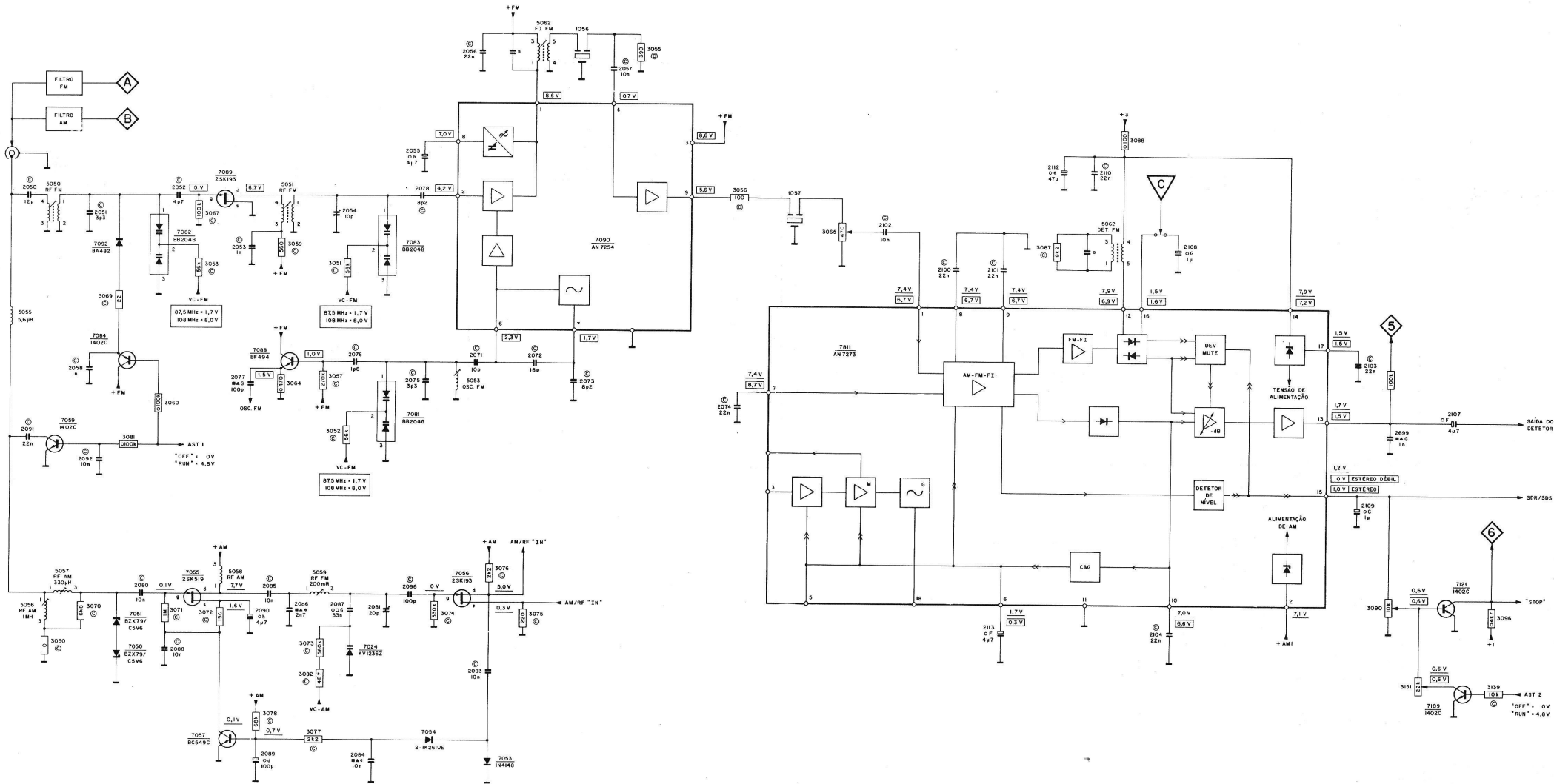


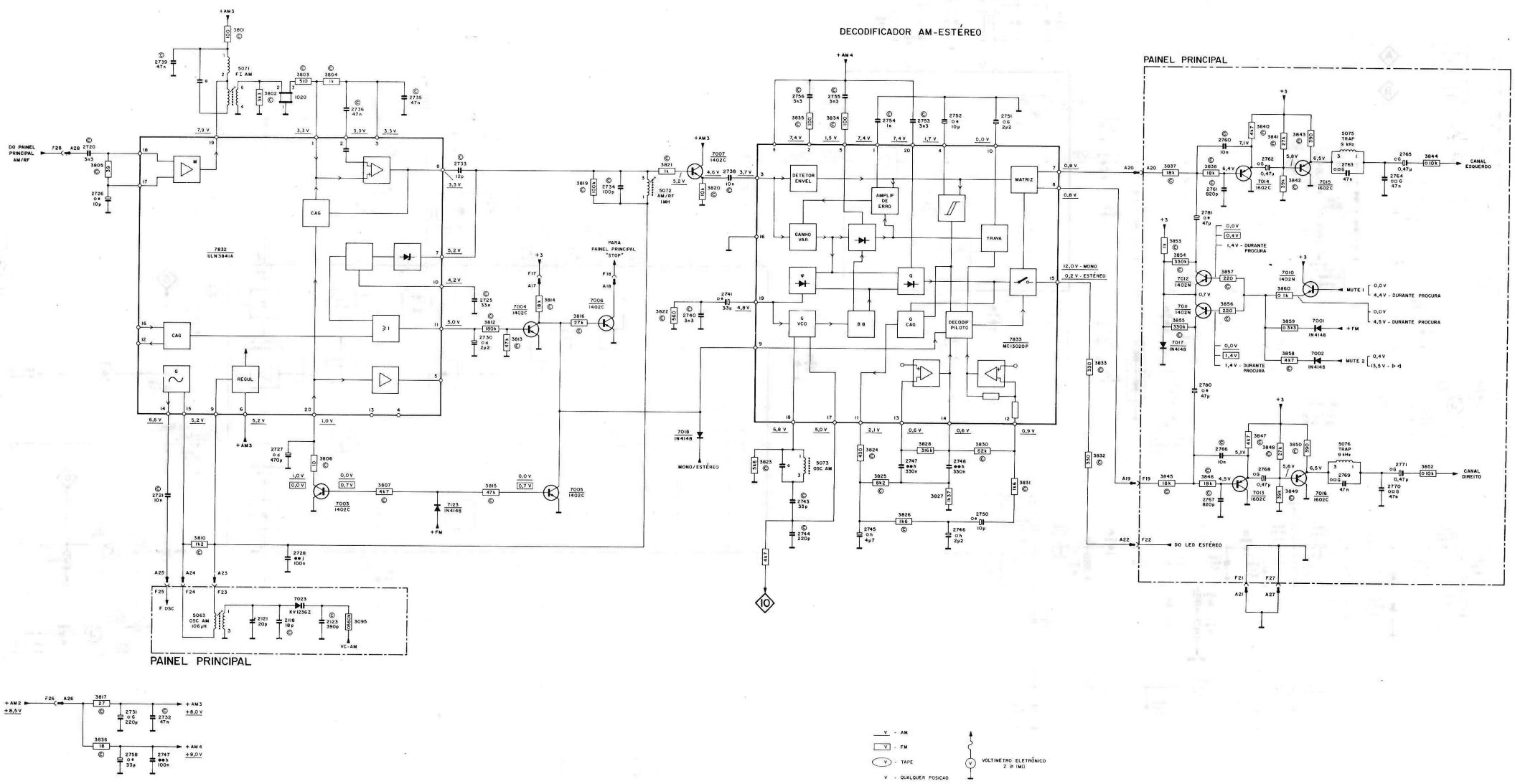




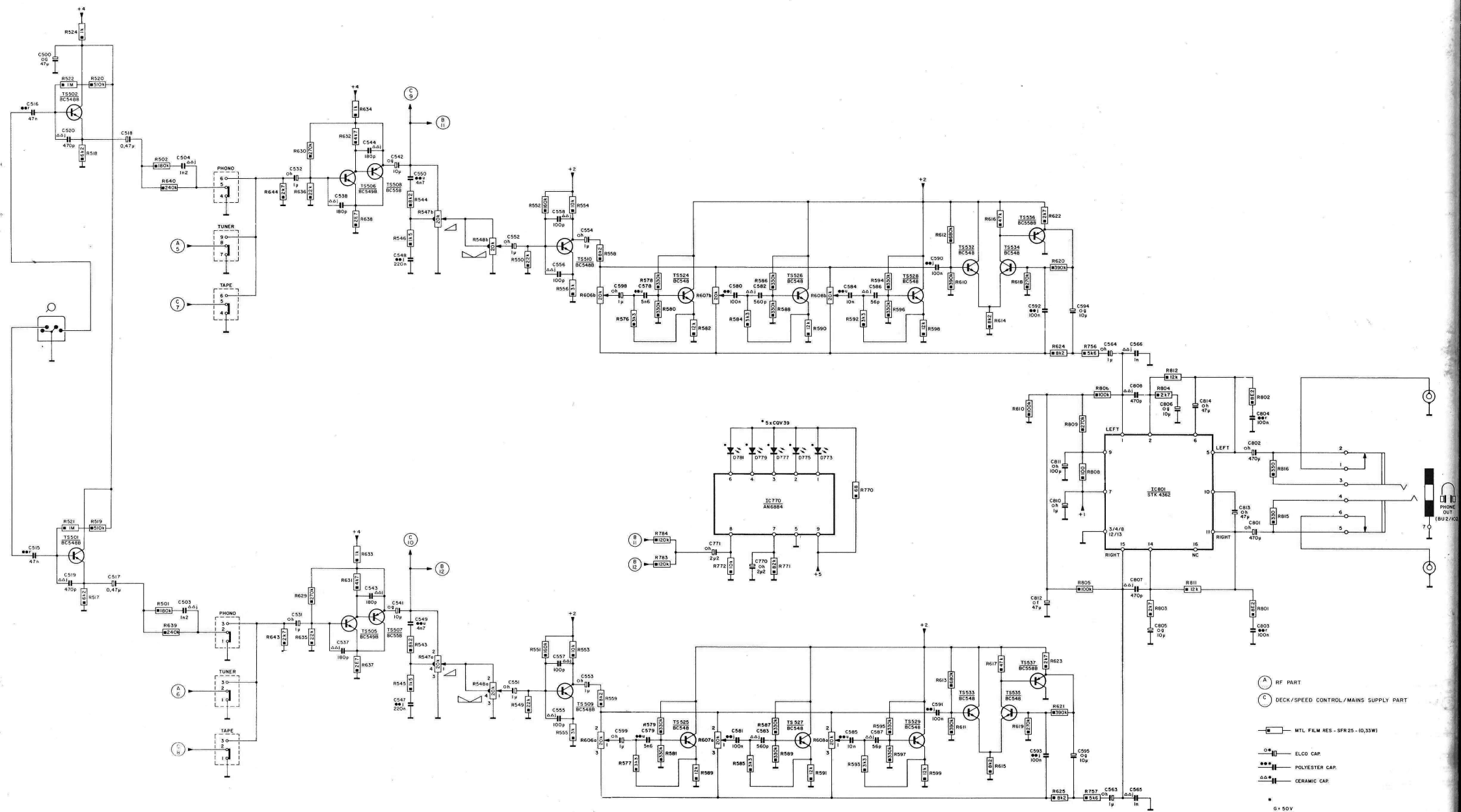








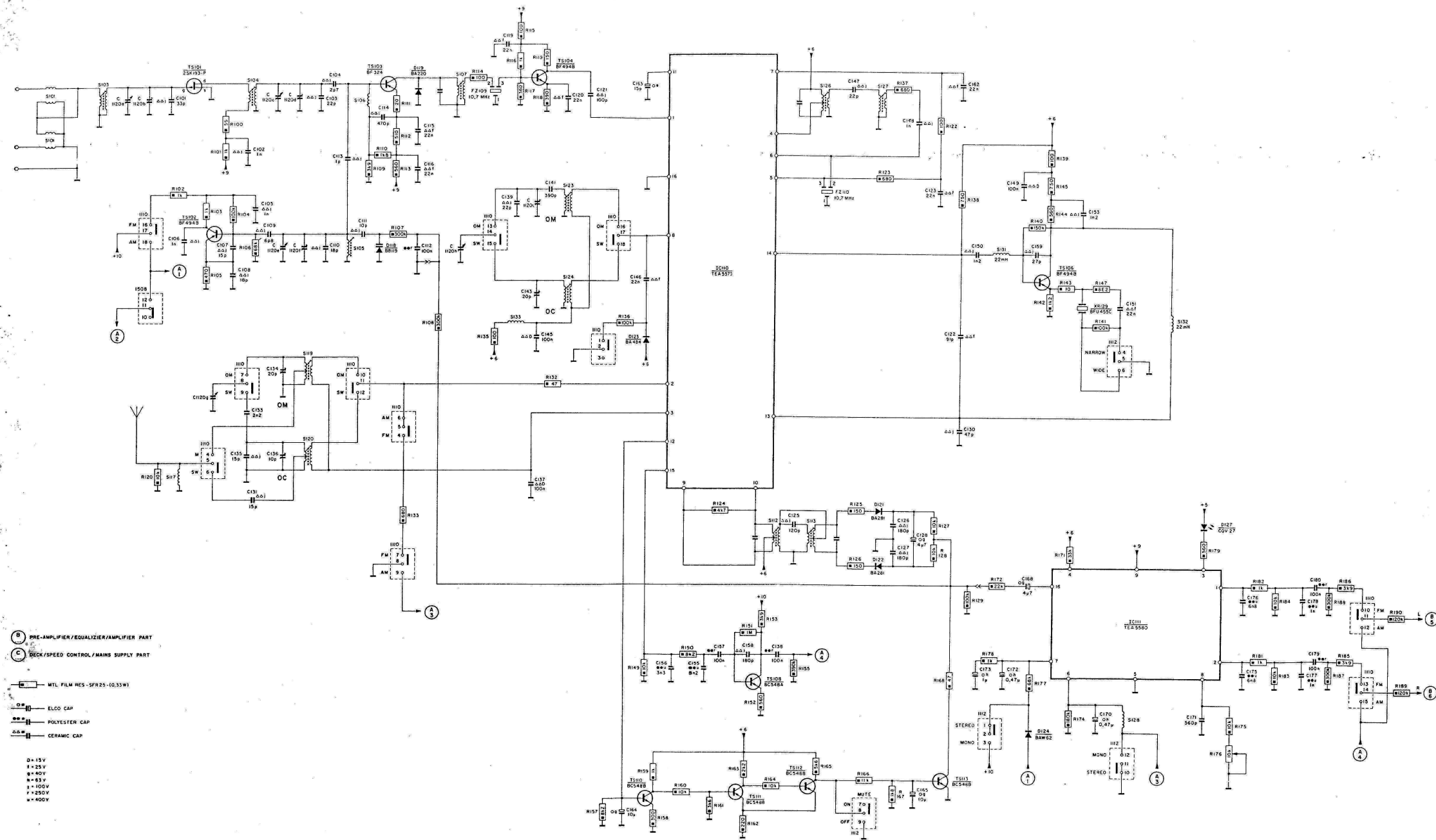
- Y - AM
- Y - FM
- Y - TAPE
- V - QUALQUER POSIÇÃO
- VOLTÍMETRO ELETRÔNICO 2° D. IND.

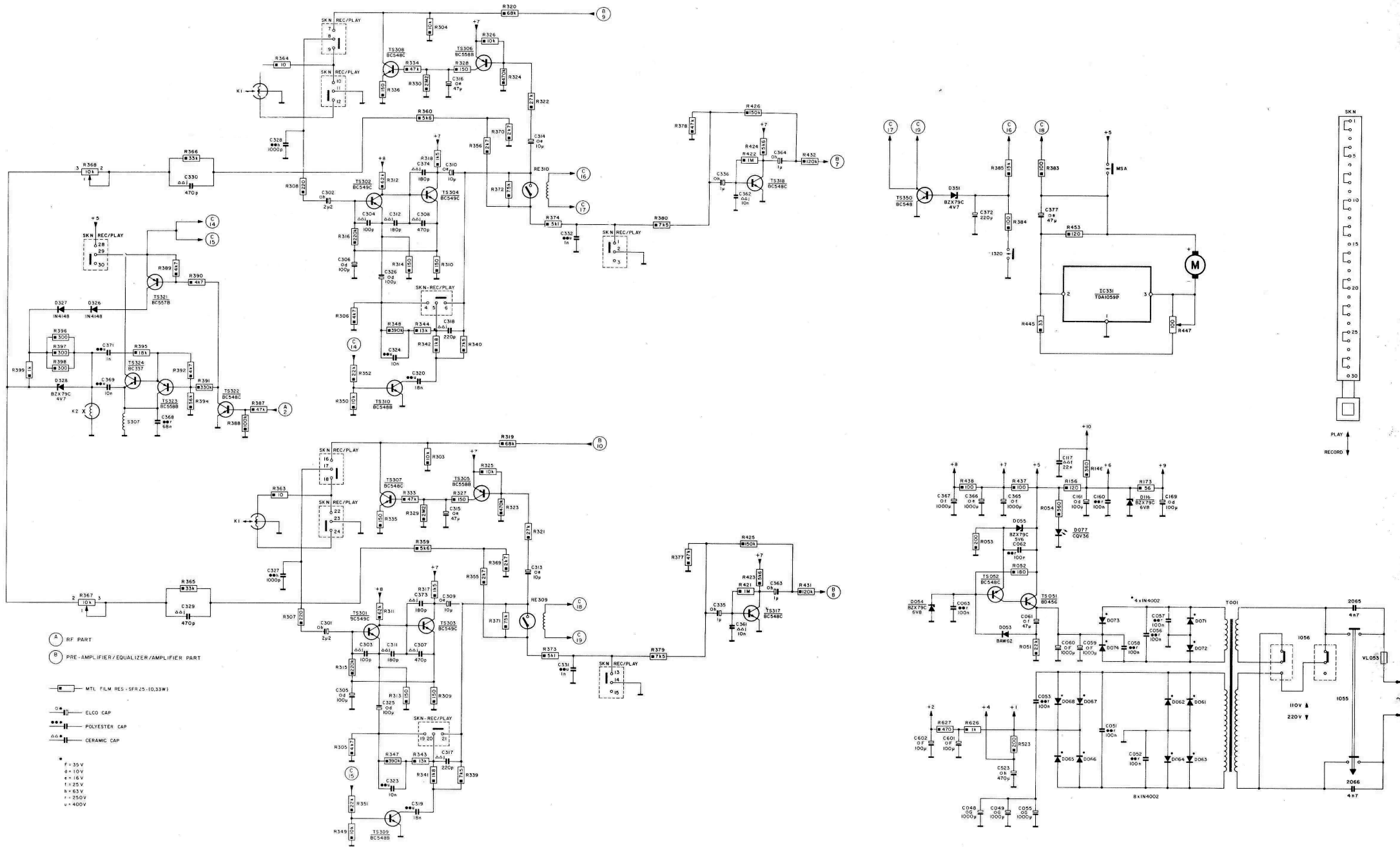


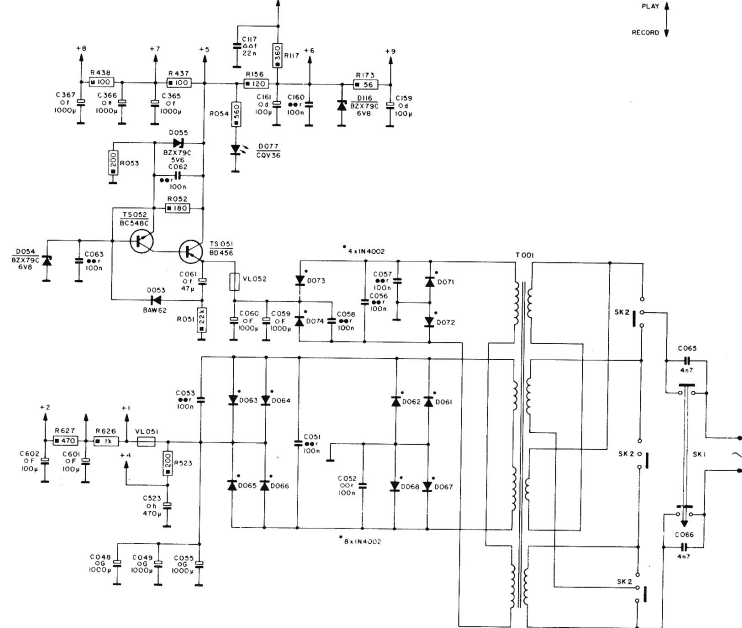
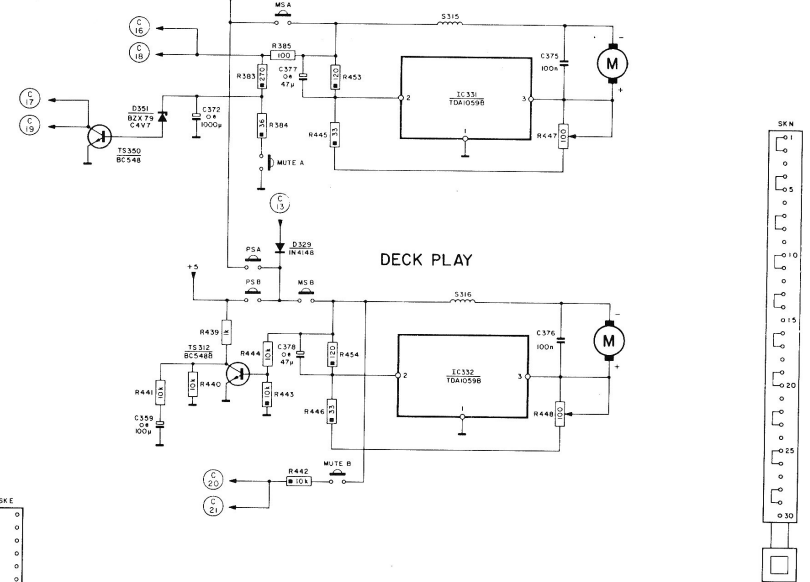
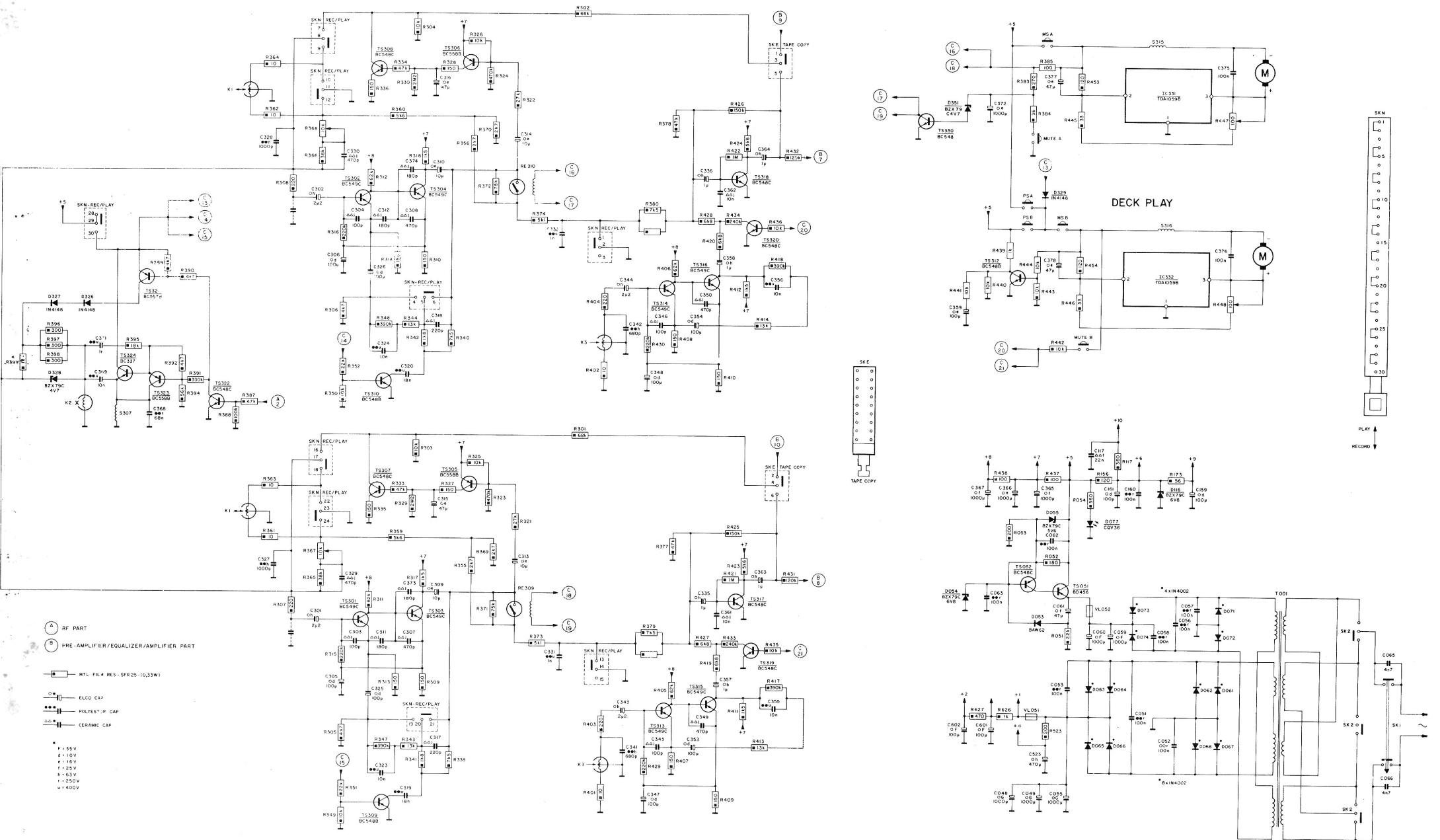
- (A) RF PART
- (B) DECK/SPEED CONTROL / MAINS SUPPLY PART
- MTL. FILM RES - SFR25 - (0,33W)
- ELCO CAP.
- POLYESTER CAP.
- △ CERAMIC CAP.

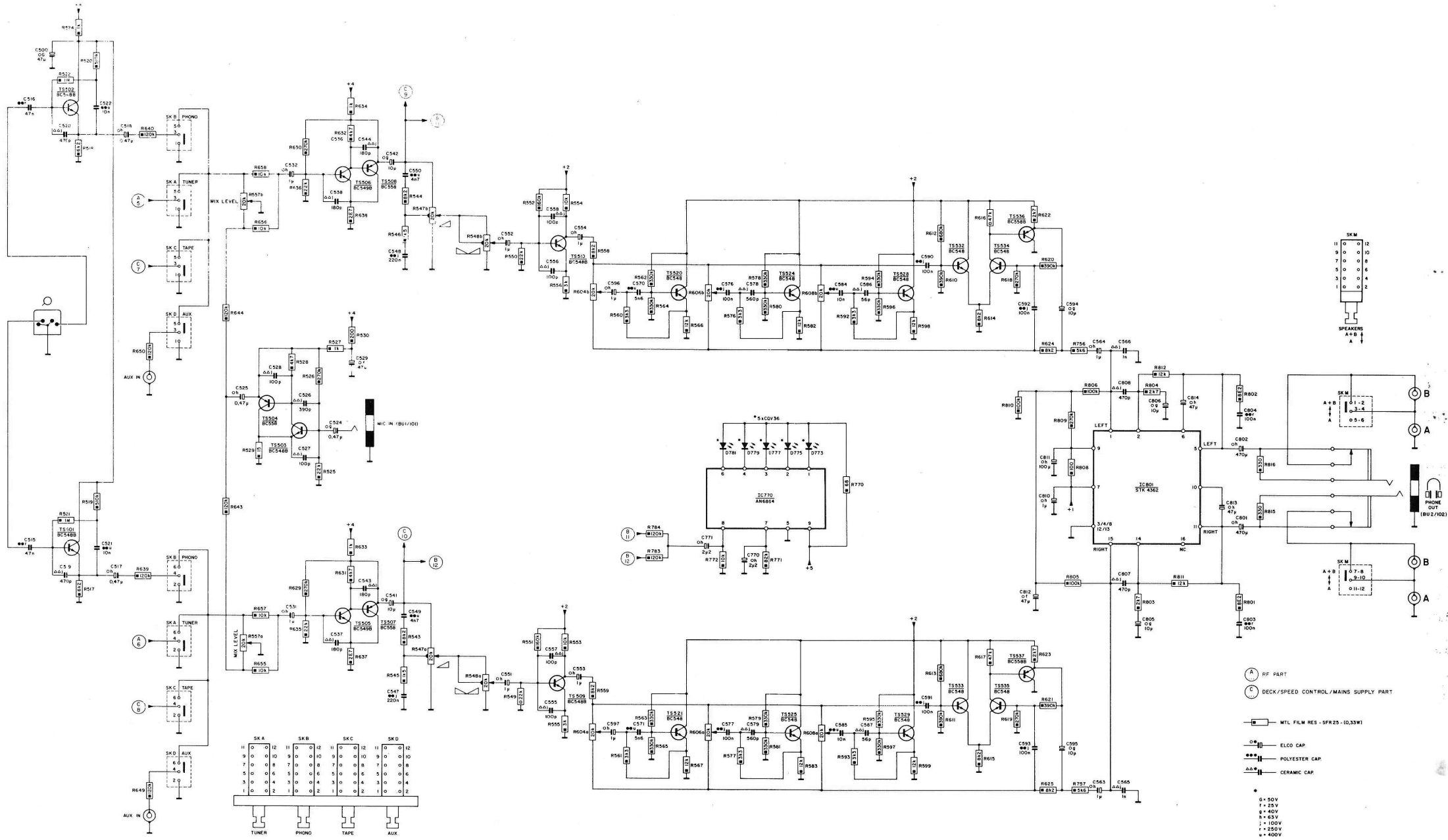
- 50V
- 25V
- 40V
- △ 50V
- 100V
- 500V
- △ 400V





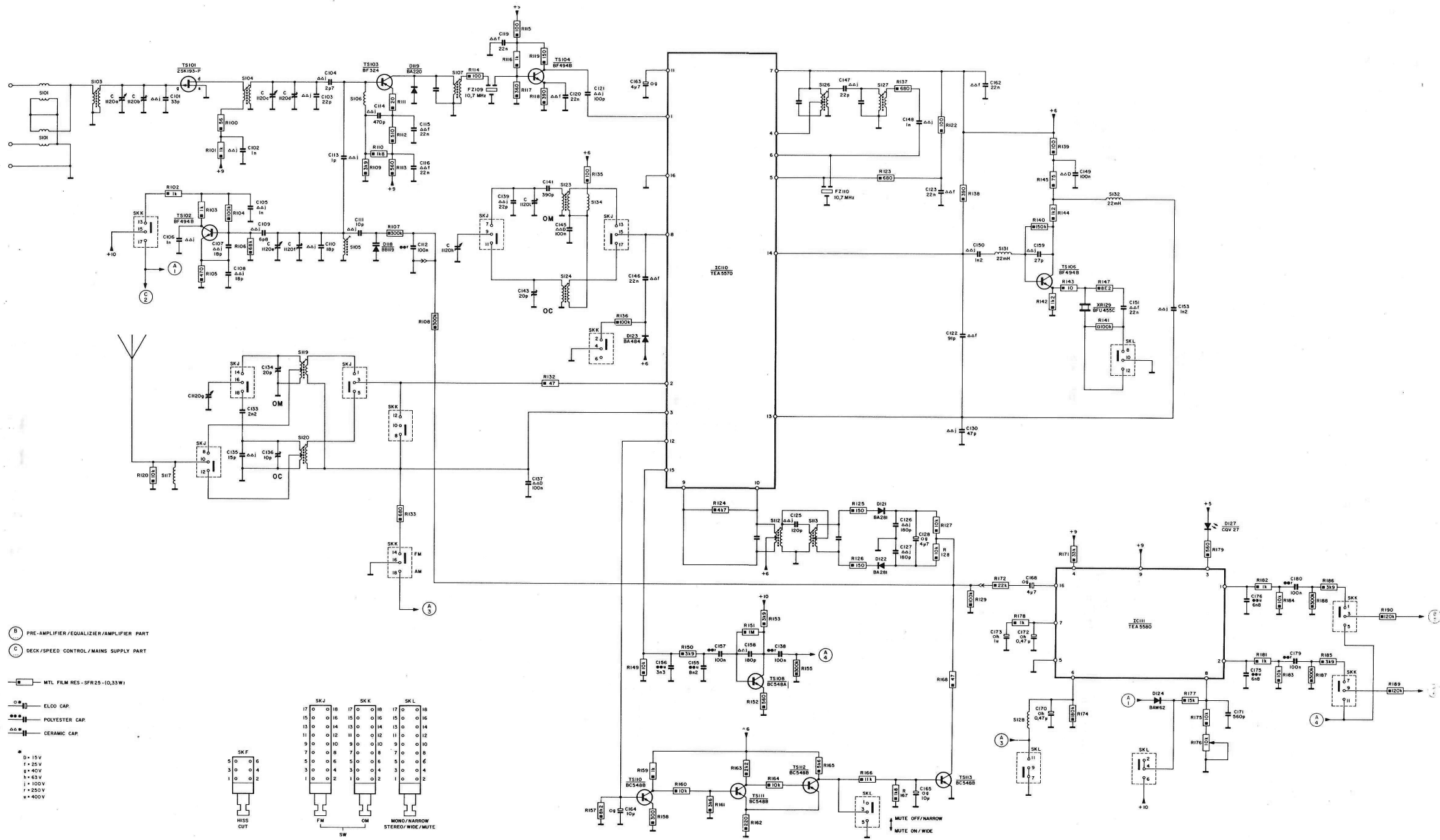






11	0	0	12	11	0	0	12	11	0	0	12	11	0	0	12
9	0	0	10	9	0	0	10	9	0	0	10	9	0	0	10
7	0	0	8	7	0	0	8	7	0	0	8	7	0	0	8
5	0	0	6	5	0	0	6	5	0	0	6	5	0	0	6
3	0	0	4	3	0	0	4	3	0	0	4	3	0	0	4
1	0	0	2	1	0	0	2	1	0	0	2	1	0	0	2

TUNER PHONO TAPE AUX



Esquema de ligações  
 Conexiones electricas  
 Conector Diagram

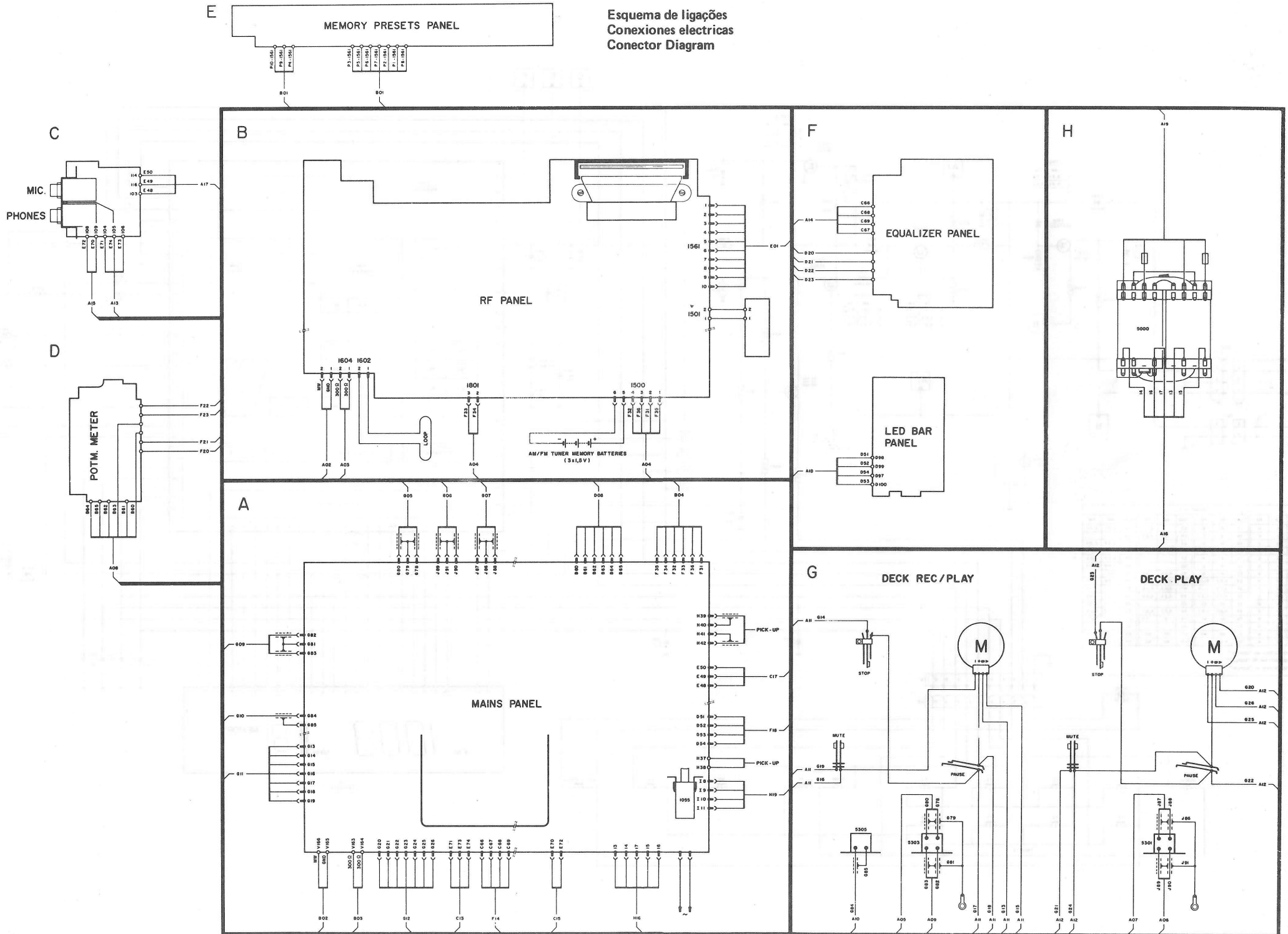
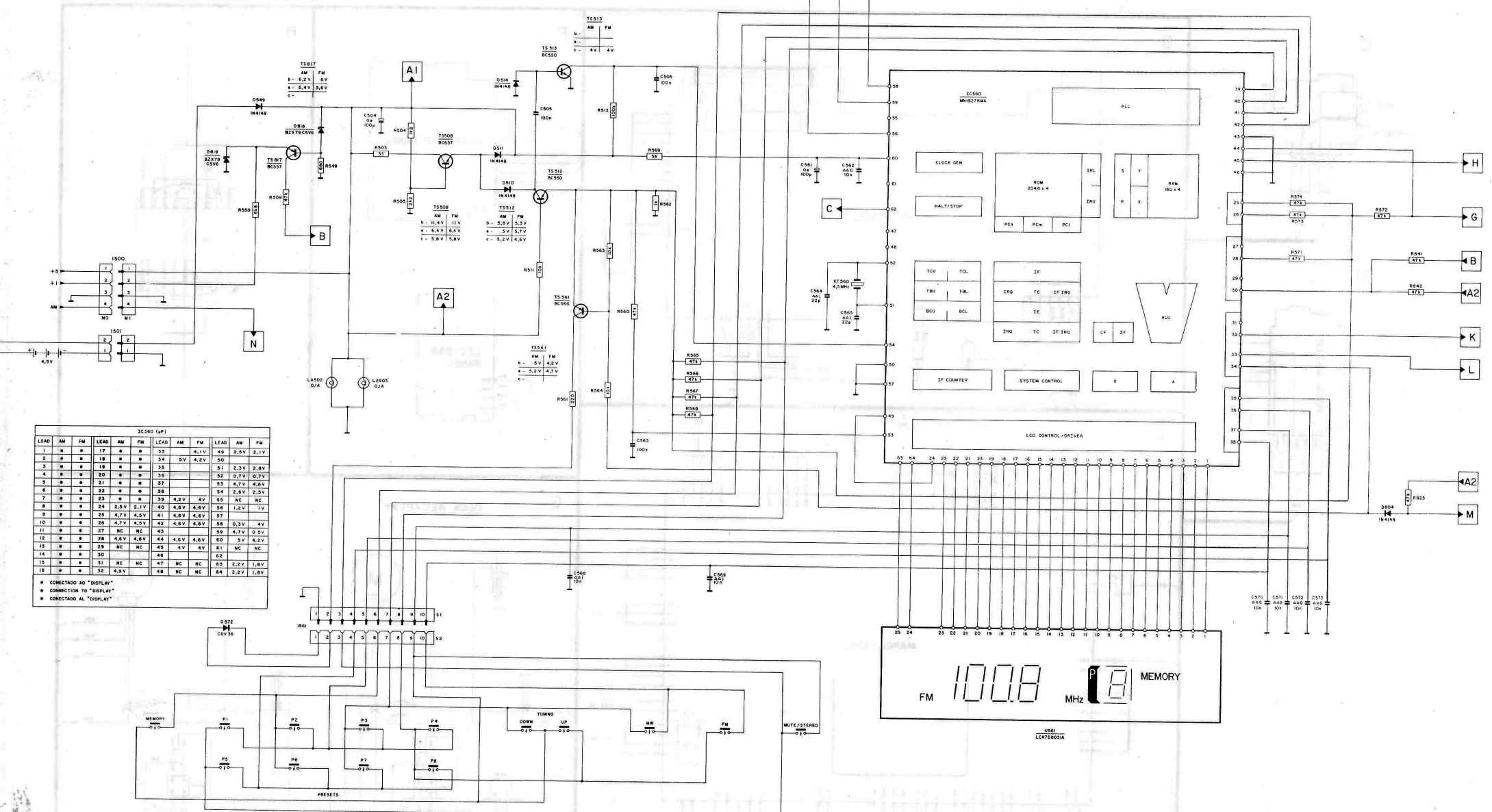




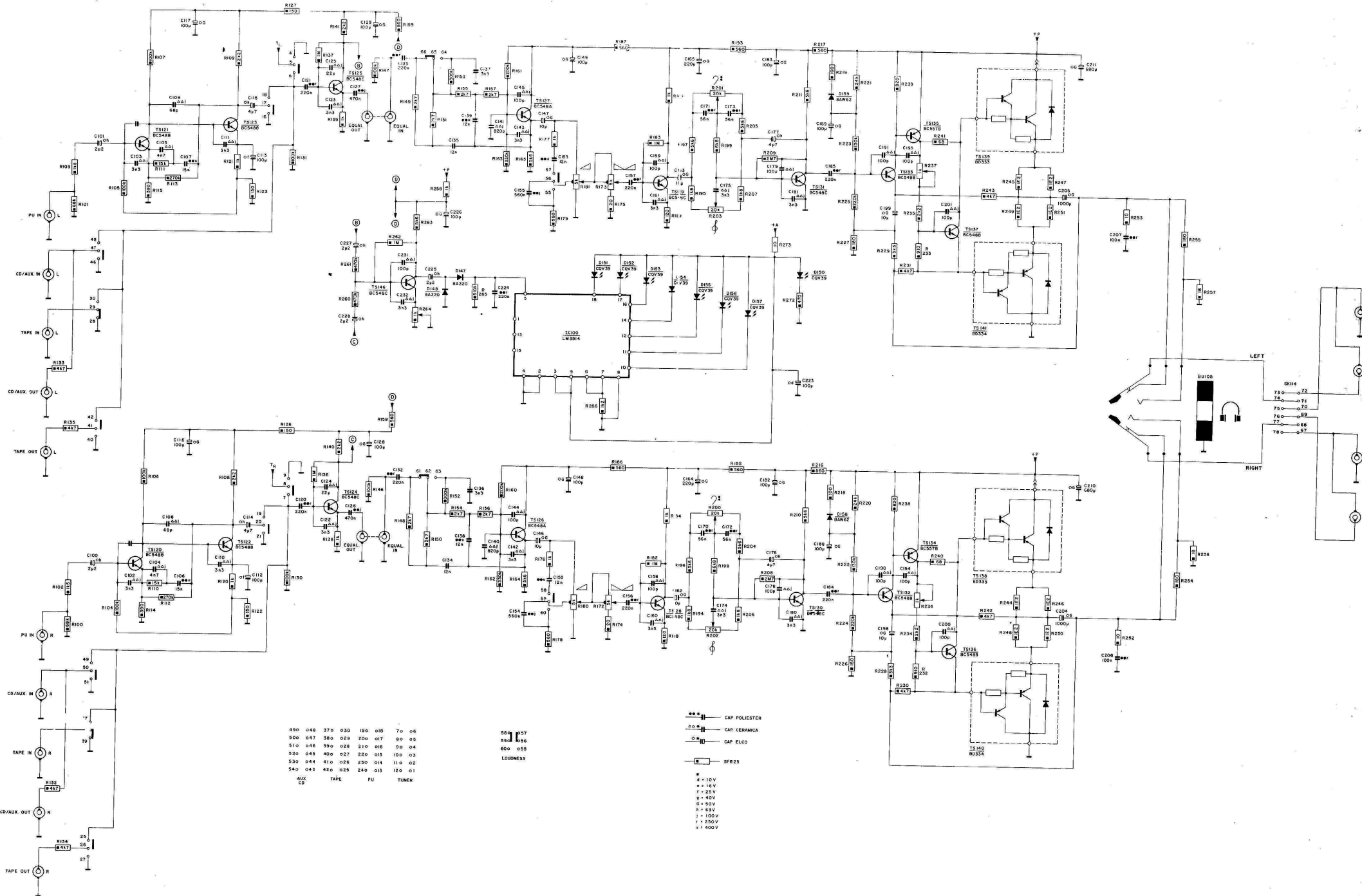
Diagrama de Ligação  
 Conexões para o TAPC  
 Connector Diagram

D E F



IC560 (p1)											
LEAD	AM	FM	LEAD	AM	FM	LEAD	AM	FM	LEAD	AM	FM
1	*	*	17	*	*	33	AM	FM	49	2.0V	2.1V
2	*	*	18	*	*	34	5V	4.2V	50		
3	*	*	19	*	*	35			51	2.3V	2.8V
4	*	*	20	*	*	36			52	0.7V	0.7V
5	*	*	21	*	*	37			53	4.7V	4.6V
6	*	*	22	*	*	38			54	2.6V	2.5V
7	*	*	23	*	*	39	4.2V	4V	55	NC	NC
8	*	*	24	2.5V	2.1V	40	4.6V	4.6V	56	1.2V	1V
9	*	*	25	6.7V	4.5V	41	4.6V	4.6V	57		
10	*	*	26	4.7V	4.5V	42	4.5V	4.6V	58	0.3V	4V
11	*	*	27	NC	NC	43			59	4.7V	0.5V
12	*	*	28	4.4V	4.6V	44	4.6V	4.6V	60	5V	4.5V
13	*	*	29	NC	NC	45	4V	4V	61	NC	NC
14	*	*	30	NC	NC	46			62		
15	*	*	31	NC	NC	47	NC	NC	63	3.2V	1.8V
16	*	*	32	4.9V		48	NC	NC	64	2.2V	1.6V

\* CONECTADO AO "DISPLAY"  
 \* CONNECTION TO "DISPLAY"  
 \* CONECTADO AL "DISPLAY"

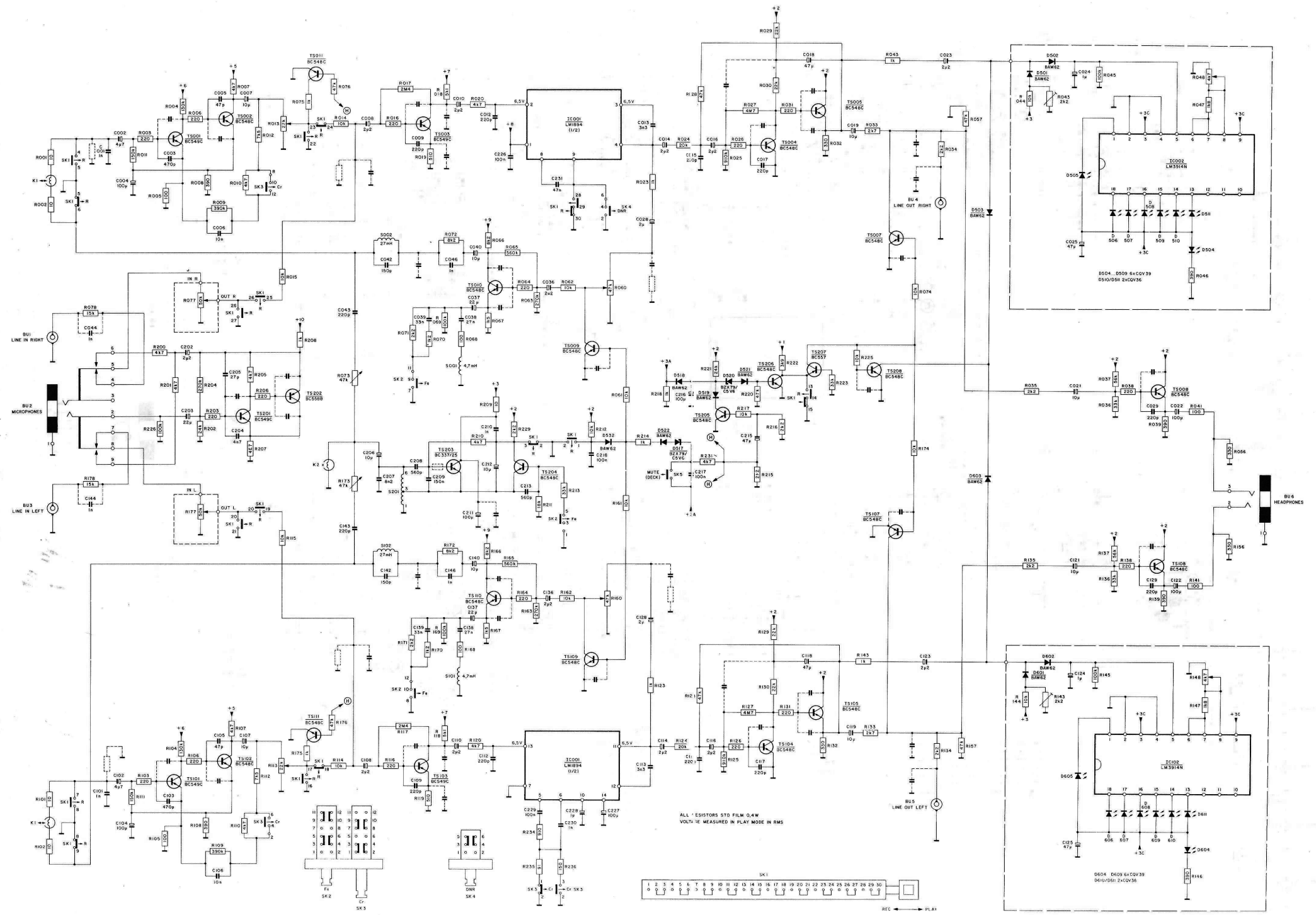


480	048	370	030	190	018	70	06
500	047	380	029	200	017	80	08
510	046	390	028	210	016	90	04
520	045	400	027	220	015	100	03
530	044	410	026	230	014	110	02
540	045	420	025	240	013	120	01

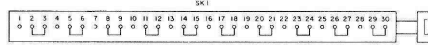
AUX CD TAPE PU TUNER

- 58 057
- 59 056
- 60 055
- 61 054
- 62 053
- 63 052
- 64 051
- 65 050
- 66 049
- 67 048
- 68 047
- 69 046
- 70 045
- 71 044
- 72 043
- 73 042
- 74 041
- 75 040
- 76 039
- 77 038
- 78 037
- 79 036
- 80 035
- 81 034
- 82 033
- 83 032
- 84 031
- 85 030
- 86 029
- 87 028
- 88 027
- 89 026
- 90 025
- 91 024
- 92 023
- 93 022
- 94 021
- 95 020
- 96 019
- 97 018
- 98 017
- 99 016
- 100 015

# 70FC210/310 - TAPE DECKS



ALL RESISTORS STD FILM 0.4W  
VOLTAGE MEASURED IN PLAY MODE IN RMS



# ÍNDICE

06AH325 - STERÉO AMPLIFIER .....	3	DC-600 - AUTO RÁDIO - TOCA FITAS - PAINEL PRINCIPAL.....	20
06AH840 - TAPC .....	4	DC-600 - AUTO RÁDIO -TOCA FITAS - PAINEL PRINCIPAL.....	21
06AH902/00 - COMBINADO .....	5	DC-700/DC800 .....	22
06AH902/00 - COMBINADO .....	6	DC-700/DC800 .....	23
06AH928 - TAPC .....	6	DC-700/DC800 .....	24
06AH928 - TAPC .....	7	DC-700/DC-800 .....	25
06AH936 - TAPC .....	8	DC-700/DC-800 .....	26
06AH936/00/02/77 .....	9	F-1330 - TAPC .....	27
06AH936/00/02/77 .....	10	F-1330 - TAPC .....	28
06AH949/00 - TAPC .....	10	F-1330 - TAPC .....	29
06AH949/00 - TAPC .....	11	F-1430 - TAPC .....	30
06AL311/00B - RÁDIO AM .....	12	F-1430 - TAPC .....	31
06AR150/00 .....	12	F-1430-TAPC .....	32
06AR450 - RÁDIO GRAVADOR ESTÉREO .....	13	F-1641/F-1651 - TAPC .....	33
06AR550 - RÁDIO GRAVADOR ESTÉREO .....	14	F-1641/F-1651 - TAPC .....	34
06AR675 - RÁDIO GRAVADOR ESTÉREO 2 DECKS .....	15	F-1641/F-1651 - TAPC .....	35
06AR675 - RÁDIO GRAVADOR ESTÉREO 2 DECKS .....	16	F-1641/F-1651 - TAPC .....	36
06AR675 - RÁDIO GRAVADOR ESTÉREO 2 DECKS .....	17	F-1641/F-1651 - TAPC .....	37
06RL416/01 - RÁDIO .....	17	70FR210/212/315 - TAPE DECKS .....	38
DC-600 - AUTO RÁDIO - TOCA FITAS .....	18	70FR210/212/315 - TAPE DECKS .....	39
DC-600 - AUTO RÁDIO - TOCA FITAS .....	19	70FC210/310 - TAPE DECKS .....	40

ELTEC EDITORA DE LIVROS TÉCNICOS LTDA.  
R. DR. COSTA VALENTE, 33 - BRÁS  
CEP.: 03052 - SÃO PAULO - SP  
FONE: (011) 948.5255 - FAX (011) 264.3197