

CÓD. 55

# ESQUEMAS

**KENWOOD**

**TKR**

**COLARO**

**SILVER**

**CROWN**

**MECCA**

**TRANSICORDER**

**cce**

**cce**

**eltec**<sup>®</sup>

**EDITORA DE LIVROS TÉCNICOS LTDA.**

**DIREITOS RESERVADOS**

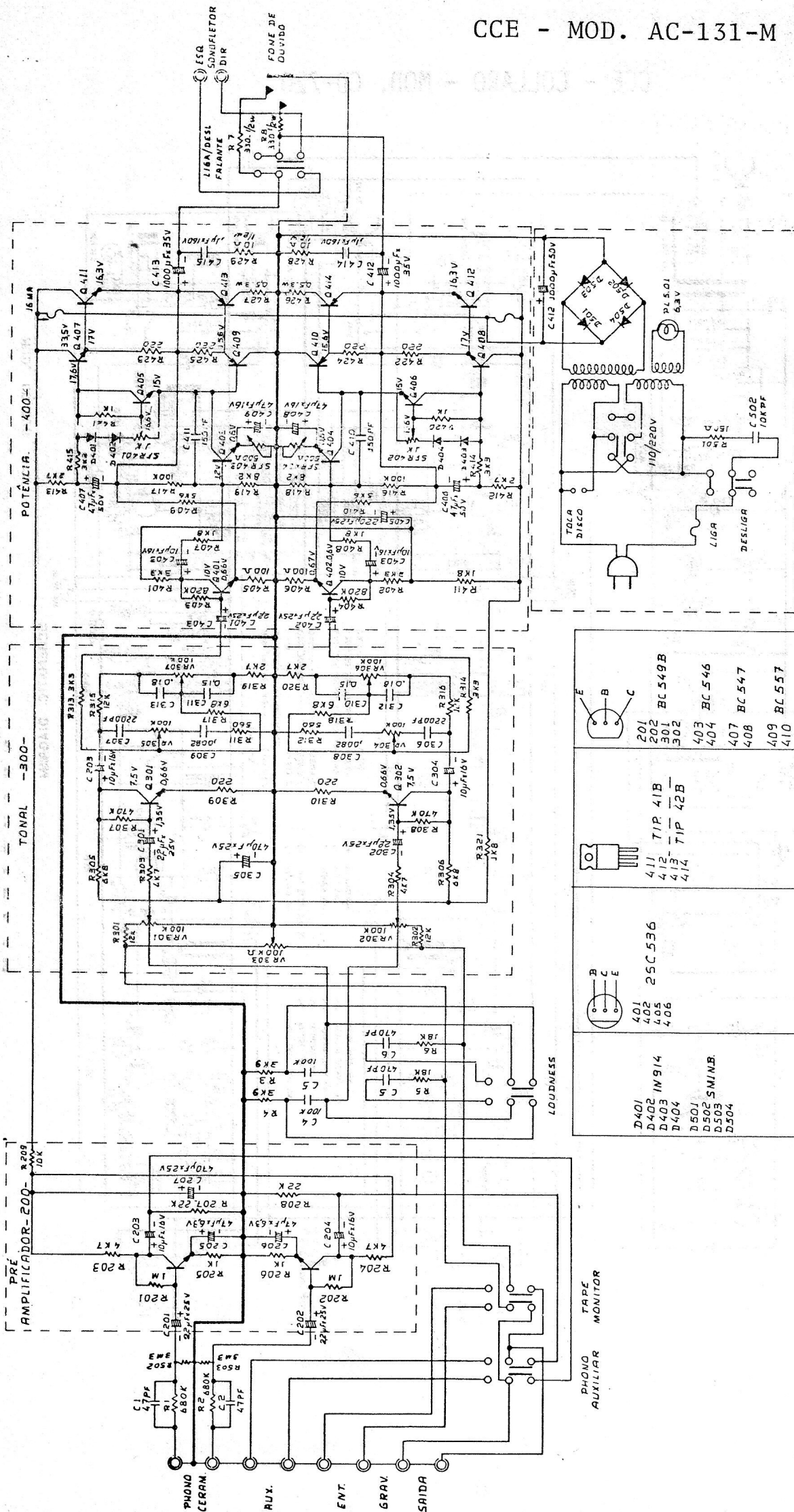
**Proibida a reprodução total ou parcial sem autorização dos editores**

**eltec**<sup>®</sup>

**EDITORA DE LIVROS TÉCNICOS LTDA.**  
**RUA DR. COSTA VALENTE, 33 - FONE 92-4730 - CEP 03052 - BRÁS - SP**

# ÍNDICE

C.C.E.	- MOD. AC-132M (3x1)	5
COLLARO	- MOD. CD - 720	6
COLLARO	- MOD. CD - 721	7
COLLARO	- MOD. CR - 1100	8
COLLARO	- MOD. CR - 1100 (2)	9
COLLARO	- MOD. CRC - 1000	10
COLLARO	- MOD. CRC - 1520	11
COLLARO	- MOD. CS - 605	12
COLLARO	- MOD. TFC - 2400SW-2400SB	13
COLLARO	- MOD. TFC - 2450SW-2450SB	14
COLLARO	- MOD. TFC - 2500	15
CROWN	- MOD. CRC - 9950S	16
CROWN	- MOD. CTA - 4450	17
CROWN	- MOD. CTR - 320W	18
CROWN	- MOD. CTR - 340W	19
CROWN	- MOD. CTR - 350W	20
CROWN	- MOD. CTD - 1100(1)-1100(W) (1)	21
CROWN	- MOD. CTD - 1100(1)-1100(W) (2)	22
CROWN	- MOD. CTD - 1100(1)-1100(W) (3)	23
CROWN	- MOD. CTD - 1100(1)-1100(W) (4)	24
CROWN	- MOD. CTD - 1100(1)-1100(W) (5)	25
CROWN	- MOD. CVA - 5002	26
CROWN	- MOD. TR - 670	27
CROWN	- MOD. TR - 904	28
GRANADA	- MOD. CB - 4 - TRANSCEIVER	29
KENWOOD	- MOD. 4004	30
KENWOOD	- MOD. KA - 2600	31
KENWOOD	- MOD. KR - 1400	32
KENWOOD	- MOD. KX - 620	33
KENWOOD	- MOD. KX - 700	34
KENWOOD	- MOD. KX - 920	35
MECCA	- MOD. MCC -102X	36
MECCA	- MOD. MC - 7200	37
MECCA	- MOD. 5000-MCR5000AM-MC9450(IC-215P) (1)	38
MECCA	- MOD. 5000-MCR5000AM-MC9450(IC-215P) (2)	39
MECCA	- MOD. 5000-MCR5000AM-MC9450(IC-215P) (3)	40
MECCA	- MOD. 5000-MCR5000AM-MC9450(IC-215P) (4)	41
MECCA	- MOD. MCR6000-6000AM-9300(IC-216R) (1)	42
MECCA	- MOD. MCR6000-6000AM-9300(IC-216R) (2)	43
MECCA	- MOD. MCR6000-6000AM-9300(IC-216R) (3)	44
MECCA	- MOD. 9450	45
SILVER	- MOD. 4S525	46
SILVER	- MOD. RT-20E	47
SILVER	- MOD. RT-30E	48
SILVER	- MOD. TX-10	49
SUPERSONIC	- MOD. CT-9500	50
TEAC	- MOD. A-360	51
TEAC	- MOD. 360S	52
TEAC	- MOD. A-4010GSL - TAPE	53
TEAC	- MOD. A-4010GSL - PALLYBACK	54
TEAC	- MOD. A-210	55
TEAC	- MOD. A-220	56
TEAC	- MOD. A-280	57
TEAC	- MOD. A-210	58
TEAC	- MOD. A-210S	59
TEAC	- MOD. A-220	60
TEAC	- MOD. A-250	61
TEAC	- MOD. A-250S	62
TEAC	- MOD. A-250S	63
TEAC	- MOD. A-250S	64
TEAC	- MOD. A-280	65
TEAC	- MOD. A-350	66
TEAC	- MOD. A-355	67
TEAC	- MOD. A-5300	68
TEAC	- MOD. A-5500-A5300	69
TEAC	- MOD. A-5500	70
TEAC	- DOLBY	71
T K R	- MOD. CR - 30	72
T K R	- MOD. CR - 40	73
T K R	- MOD. CRF - 150M (A)	74
T K R	- MOD. CRF - 150M (B)	75
T K R	- MOD. CRF - 159M	76
T K R	- MOD. CRF - 171M	77
T K R	- MOD. CRF - 200M	78
T K R	- MOD. CRF - 210M	79
TRANSICORDER	- MOD. CT - 1039	80



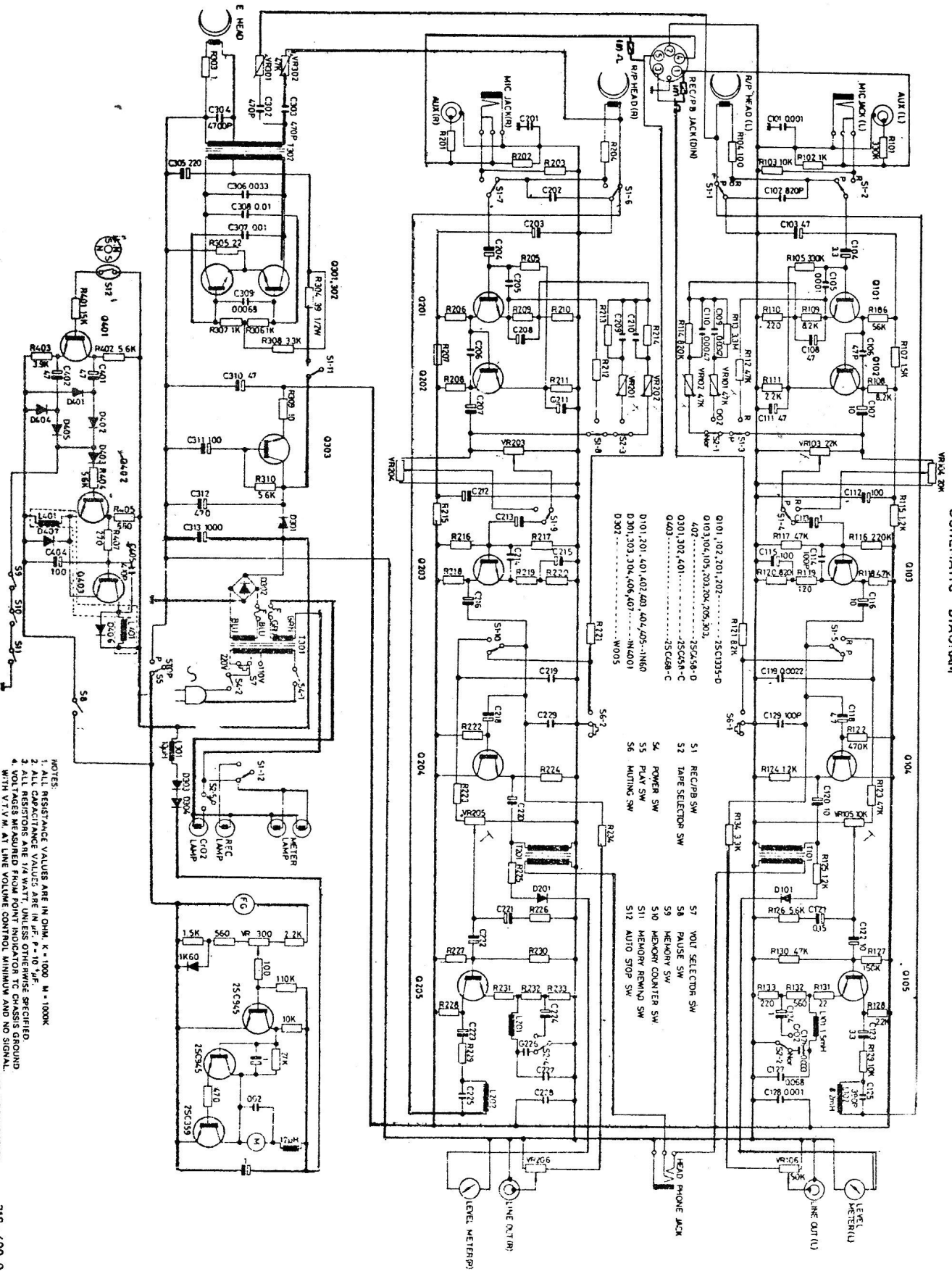
	201 BC 549B
	411 TIP 41B
	412 TIP 42B
	401 25C 536
	402 IN 914
	403 5M1B
	404 5M1B
	405 5M1B
	406 5M1B
	403 BC 546
	407 BC 547
	408 BC 547
	409 BC 557
	410 BC 557

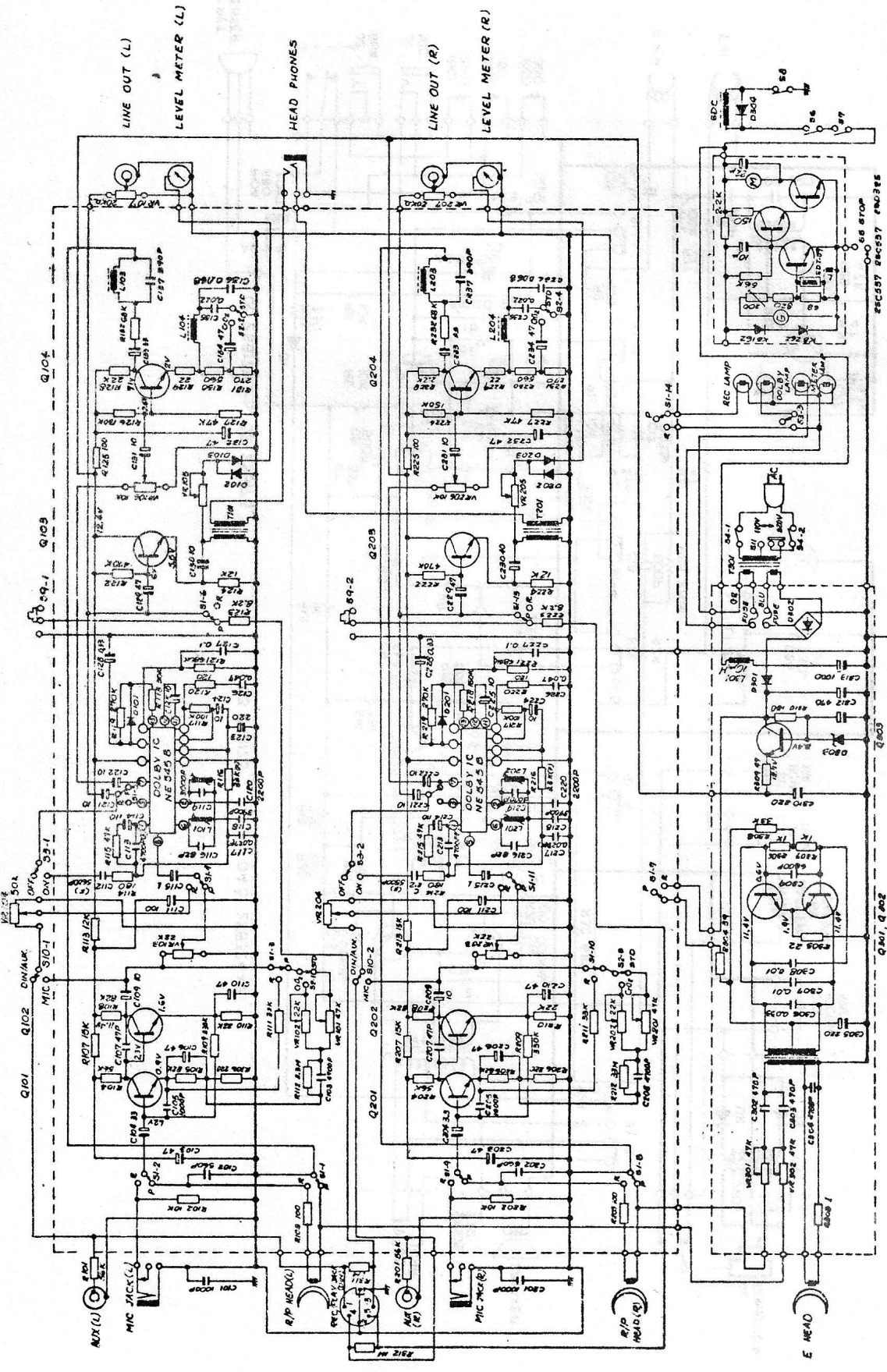
Obs. As Tensões foram medidas c voltímetro eletrônico.  
 árede de JTTVAC  
 Todos os resistores são de 1/4w. salvo os  
 especificados

# CCE - COLLARO - MOD. CD-720

MOD. CD 720

## SCHEMATIC DIAGRAM





CCE - IND. E COM. DE COMP. ELETTRONICOS S

CCE - COLLARO - MOD. CD-721

DESIGNER: *[Signature]*

TOL. *[Signature]* PROJ. *[Signature]* VISTO. *[Signature]* DATA *[Signature]*

N.º *[Signature]* N.º *[Signature]* N.º *[Signature]*

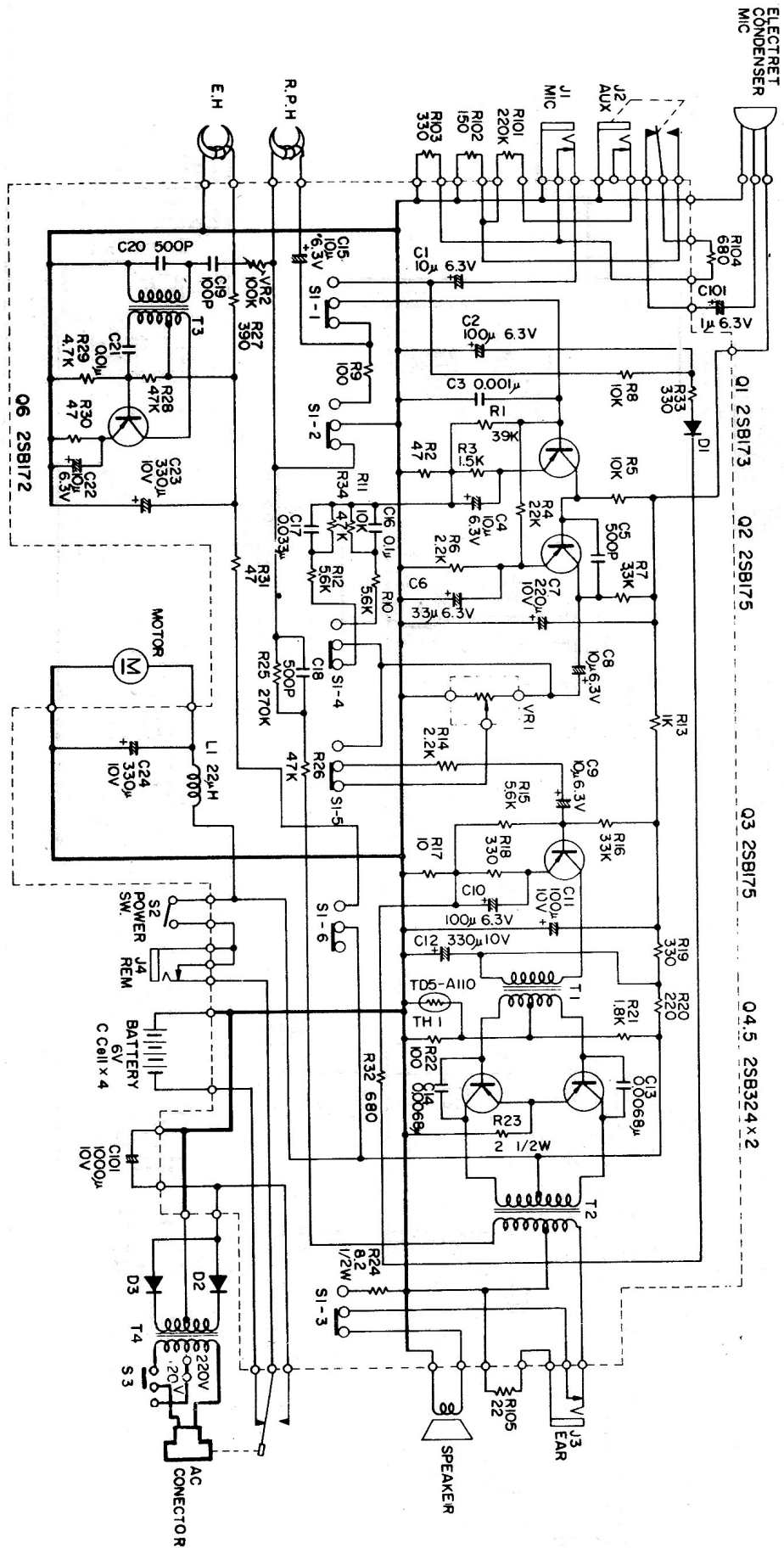
NOTES:

- 1- RESISTANCE VALUES ARE IN OHM K=1000 M=1000K
- 2- CAPACITANCE VALUES ARE IN  $\mu F$  P=10<sup>6</sup>
- 3- RESISTORS ARE 1/4 WATT, UNLESS OTHERWISE SPECIFIED
- 4- VOLTAGES MEASURED FROM POINT INDICATOR TO CHASSIS GROUND V.T.M.M. AT LINE VOLUME CONTROL MINIMUM AND NO SIGNAL.

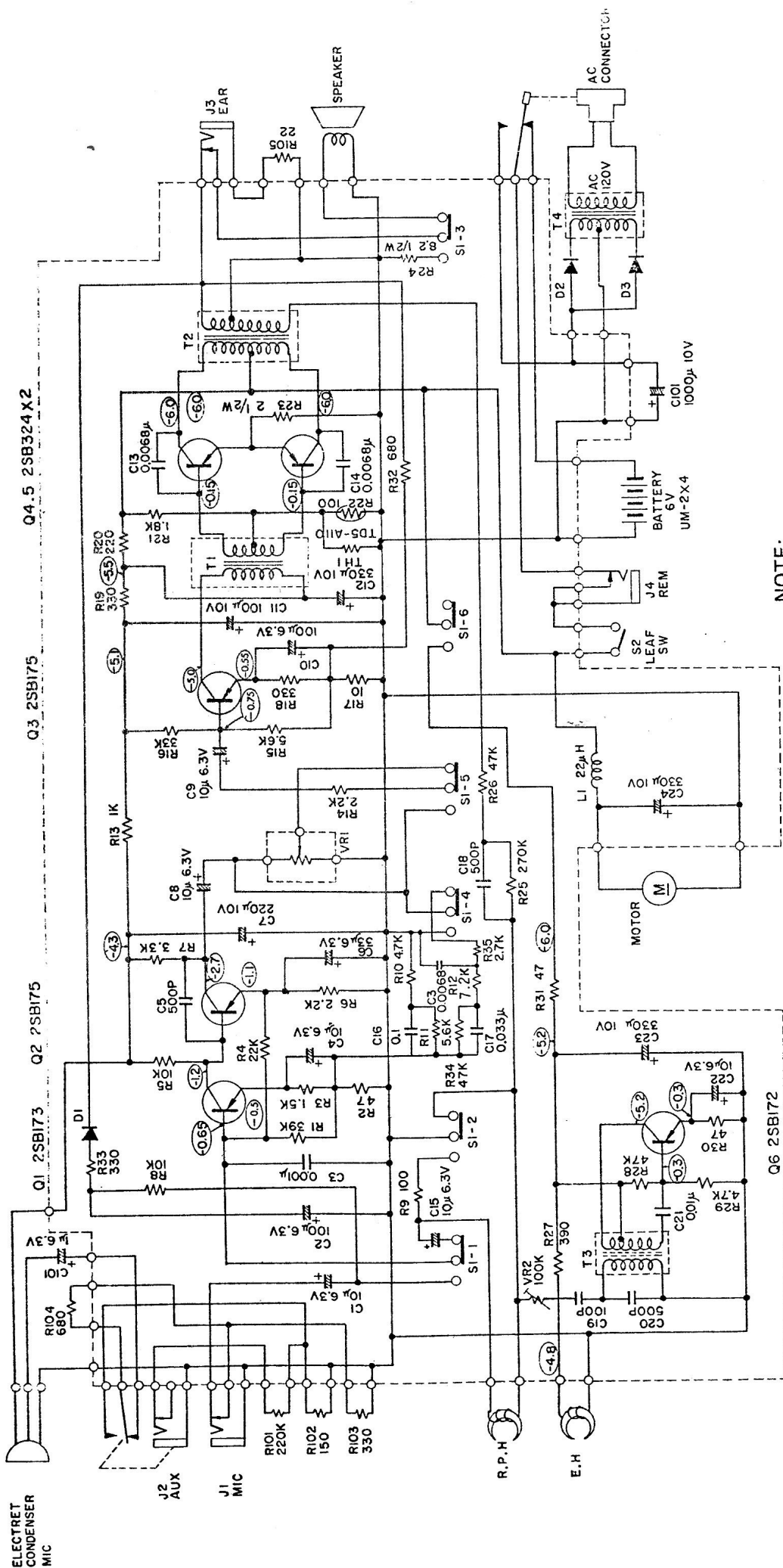
(SPECIFICATIONS AND CIRCUITS SUBJECT TO CHANGE WITHOUT NOTICE FOR IMPROVEMENT)

- Q101, R28, E01, 202 ..... 25C 455-D
- Q103, 104, 203, 204 ..... 25C 456-D
- Q301, 302 ..... 25C 459-C
- C101, 201 ..... 0A-90
- D102, 103, 202, 203 ..... IN-60
- D302 ..... IN-1001
- D303 ..... V-3
- Q305 ..... R-3E
- Q306 ..... 2E 121-B
- S1 REC/PLAY SW
- S2 TAPE SELECTOR SW
- S3 DOLBY NR SW
- S4 POWER SW
- S5 PLAY SW
- S6 MEMORY SW
- S7 MEMORY COUNTER SW
- S8 MEMORY REWIND SW
- S9 MUTING SW
- S10 INPUT SELECTOR SW
- S11 VOLT SELECTOR SW

# COLLARO - MOD. CR-1100



# COLLARO - CR1100

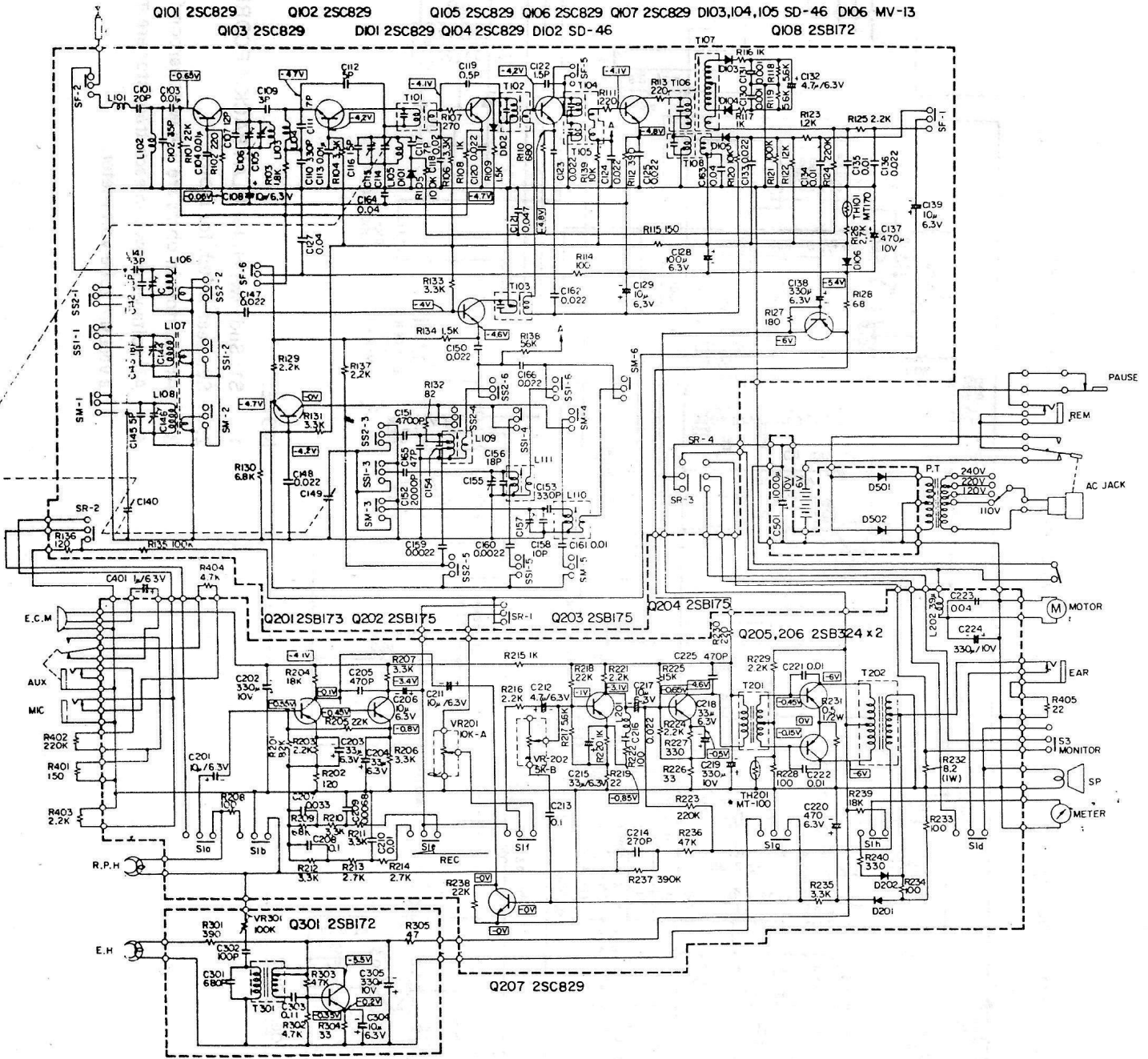


**NOTE:**

1. S1: Slide switch for PLAYBACK/RECORD shown in PLAYBACK mode.
2. S2: Leaf switch for motor.
3. All resistors in ohms are 1/4 watt carbon film type unless otherwise noted.
4. All voltages shown in each transistor are measured from the ground (+) by a vacuum tube volt meter.

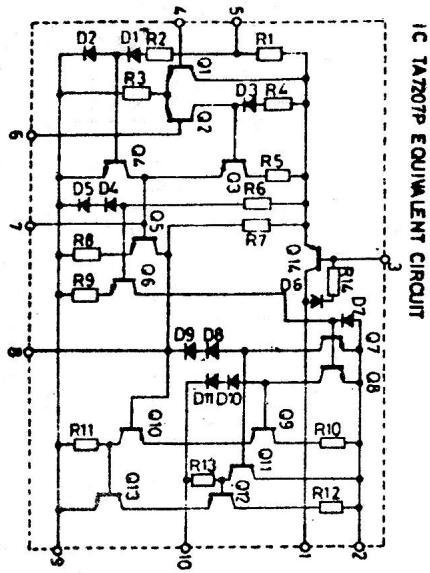


# COLLARO - MOD. CRC-1000



- NOTE:**
- All capacitors are in microfarad except picofarad (P).
  - All resistors in ohms are 1/4 watt, carbon type unless otherwise noted.
  - All the voltages shown in each transistor are measured by a vacuum tube voltmeter.
  - Sl: Slide switch for RECORD/PLAYBACK shown in playback mode.
  - Sm, Ss1, Ss2, Sf: Interchangeable push switch shown in SW2 mode.
  - Sr: Radio ON-OFF switch shown in on position.

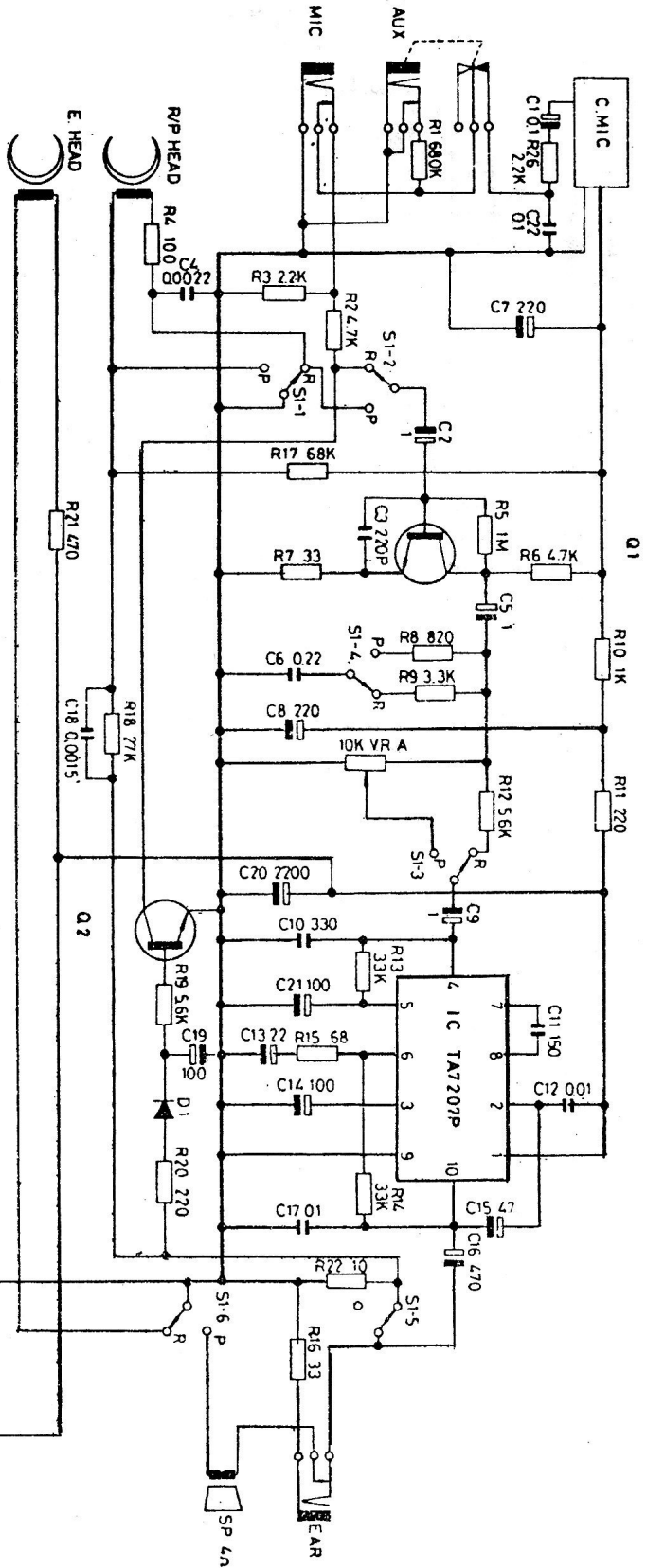
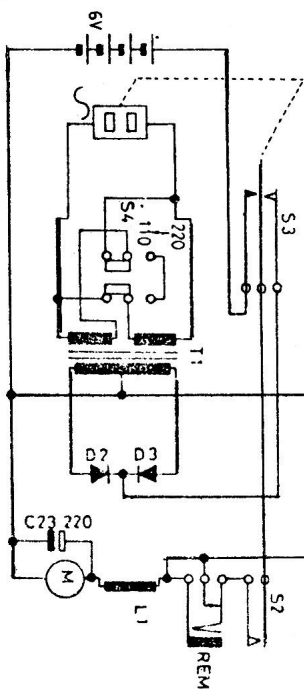


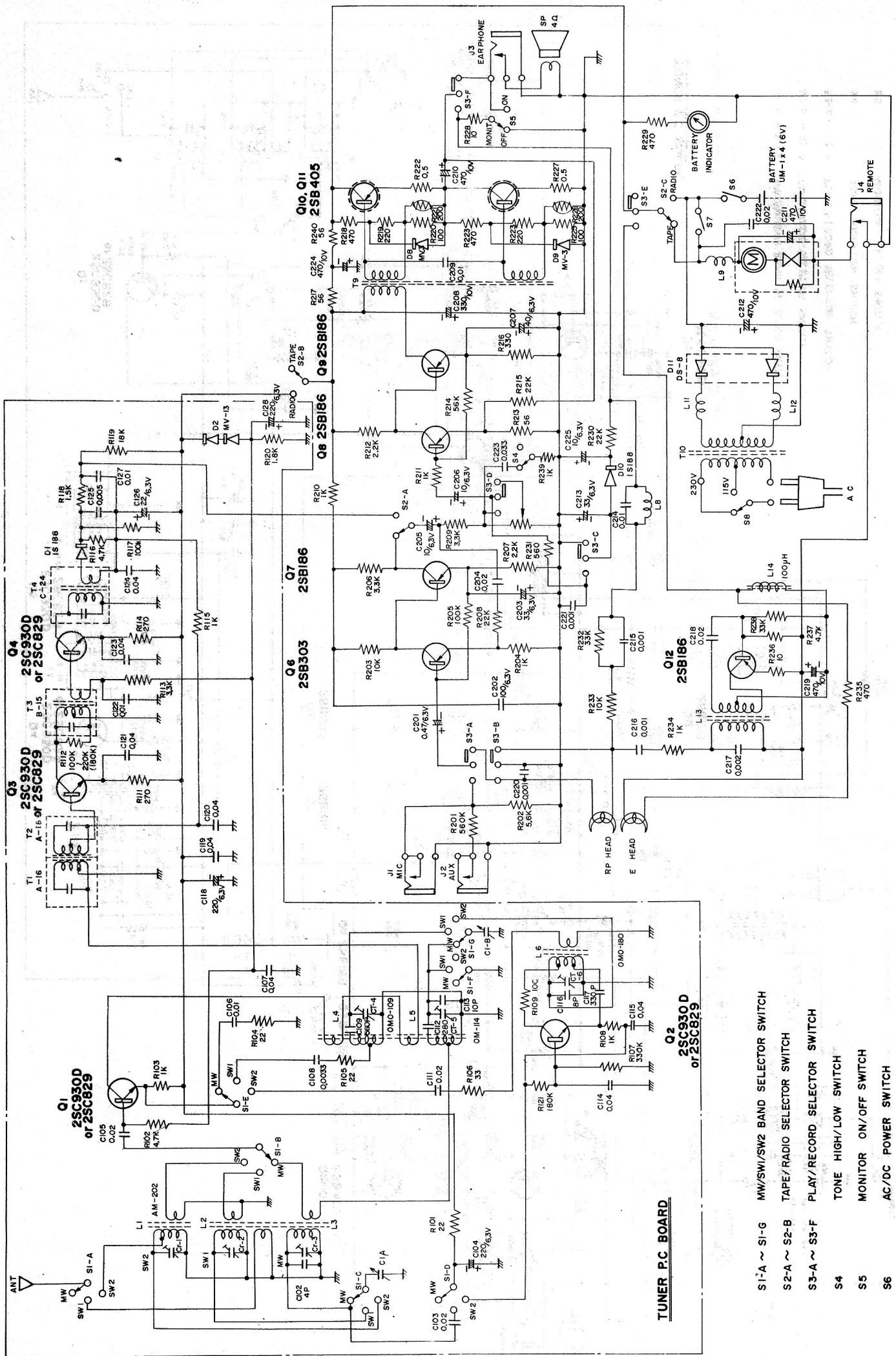


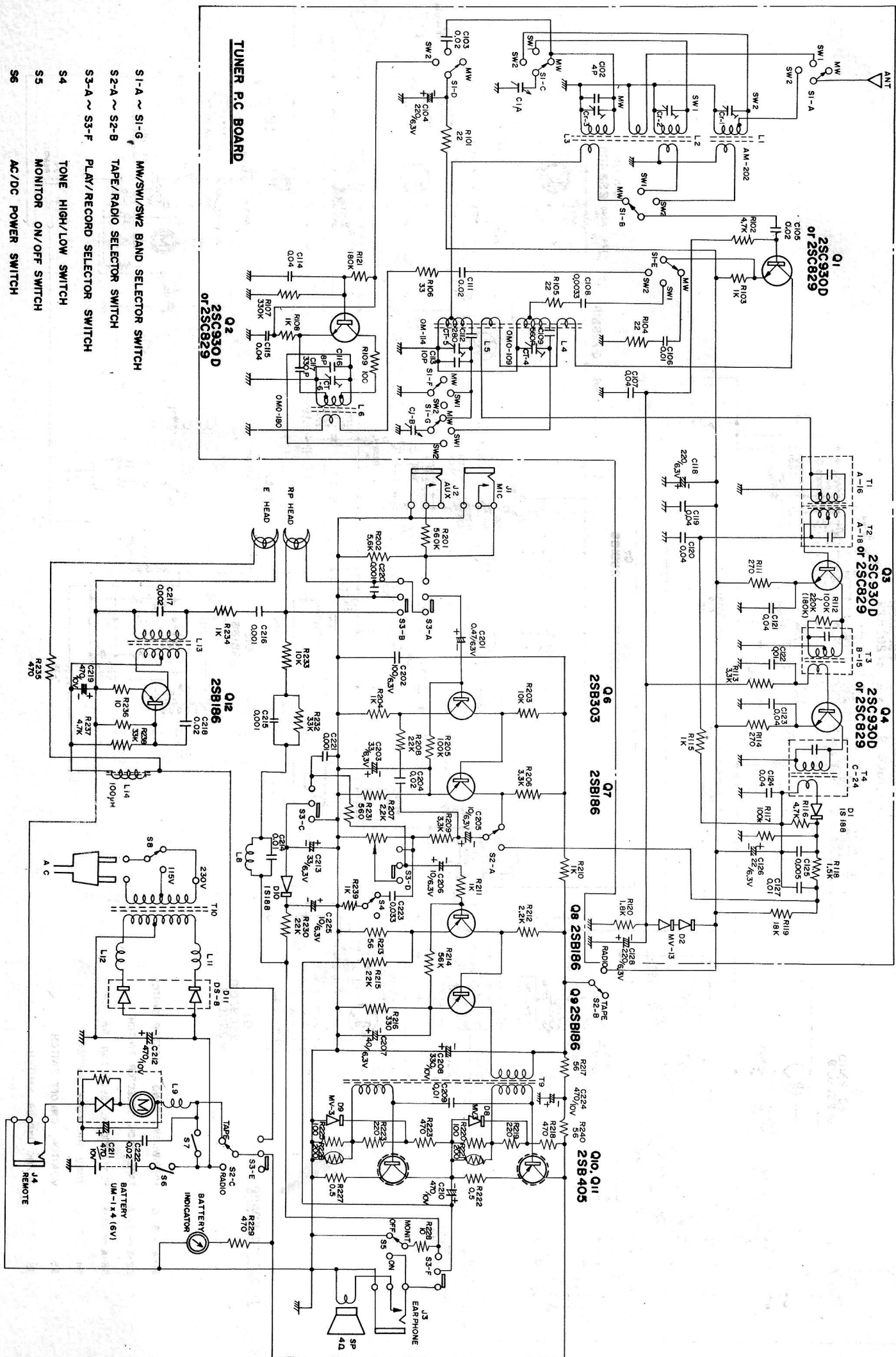
IC TA7207P EQUIPMENT CIRCUIT

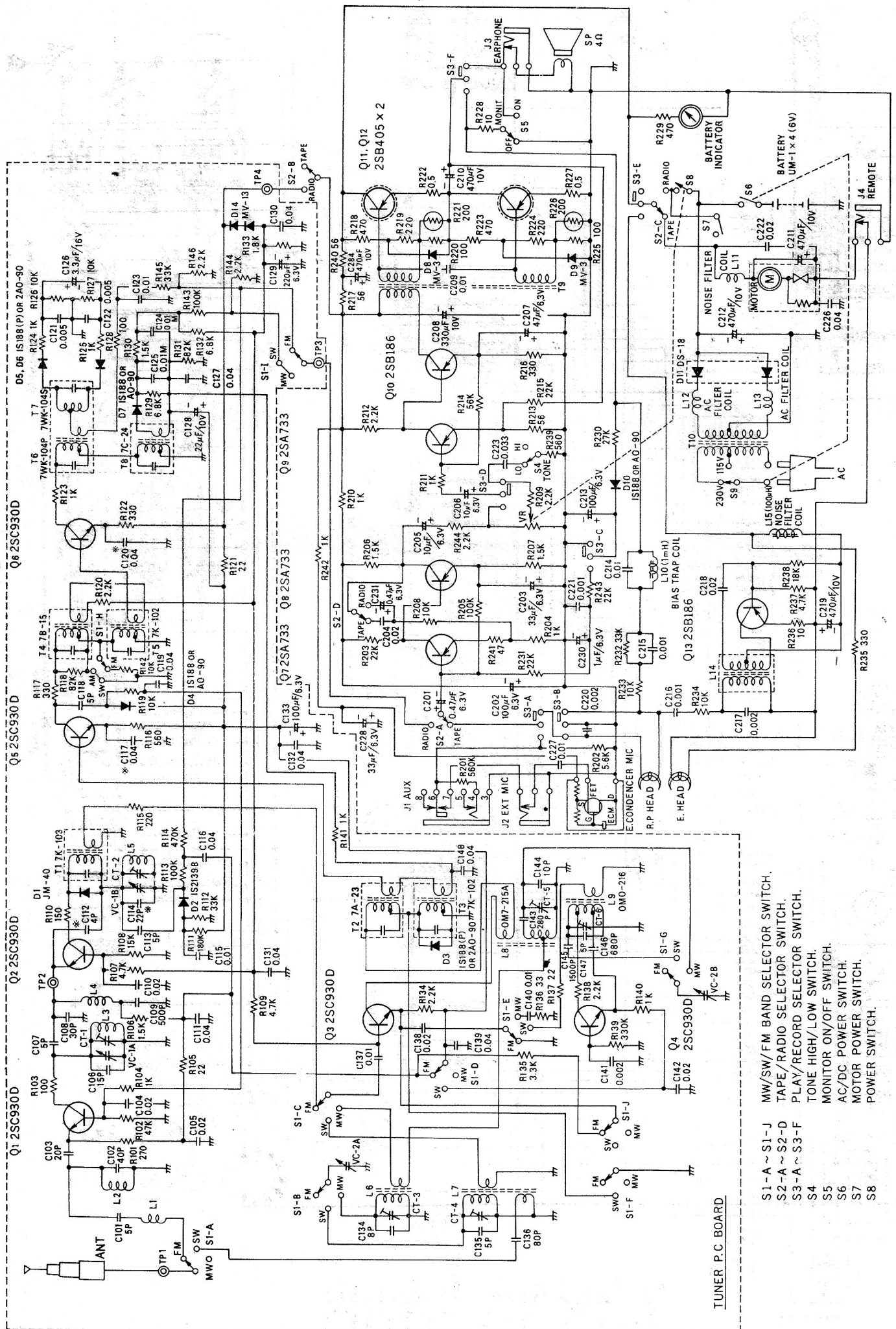
- Q1 ..... 2SC1335-E
- Q2 ..... 2SC458-C-D
- D1 ..... VS HY80
- D2,3,4,5 ..... SR1K-1
- S1 REC/PB SW.
- S2 POWER SW.
- S4 VOLT. SELECTOR SW.

- NOTES:
1. ALL RESISTANCE VALUES ARE IN OHM, K=1000 M=1000K
  2. ALL CAPACITANCE VALUES ARE IN  $\mu F$ , P=10<sup>6</sup>  $\mu F$
  3. ALL RESISTORS ARE 1/4 WATT, UNLESS OTHERWISE SPECIFIED.
  4. VOLTAGES MEASURED FROM POINT INDICATOR TO CHASSIS GROUND WITH V.T.V.M. AT LINE VOLUME CONTROL MINIMUM AND NO SIGNAL. (SPECIFICATIONS AND CIRCUIT SUBJECT TO CHANGE WITHOUT NOTICE FOR IMPROVEMENT.)

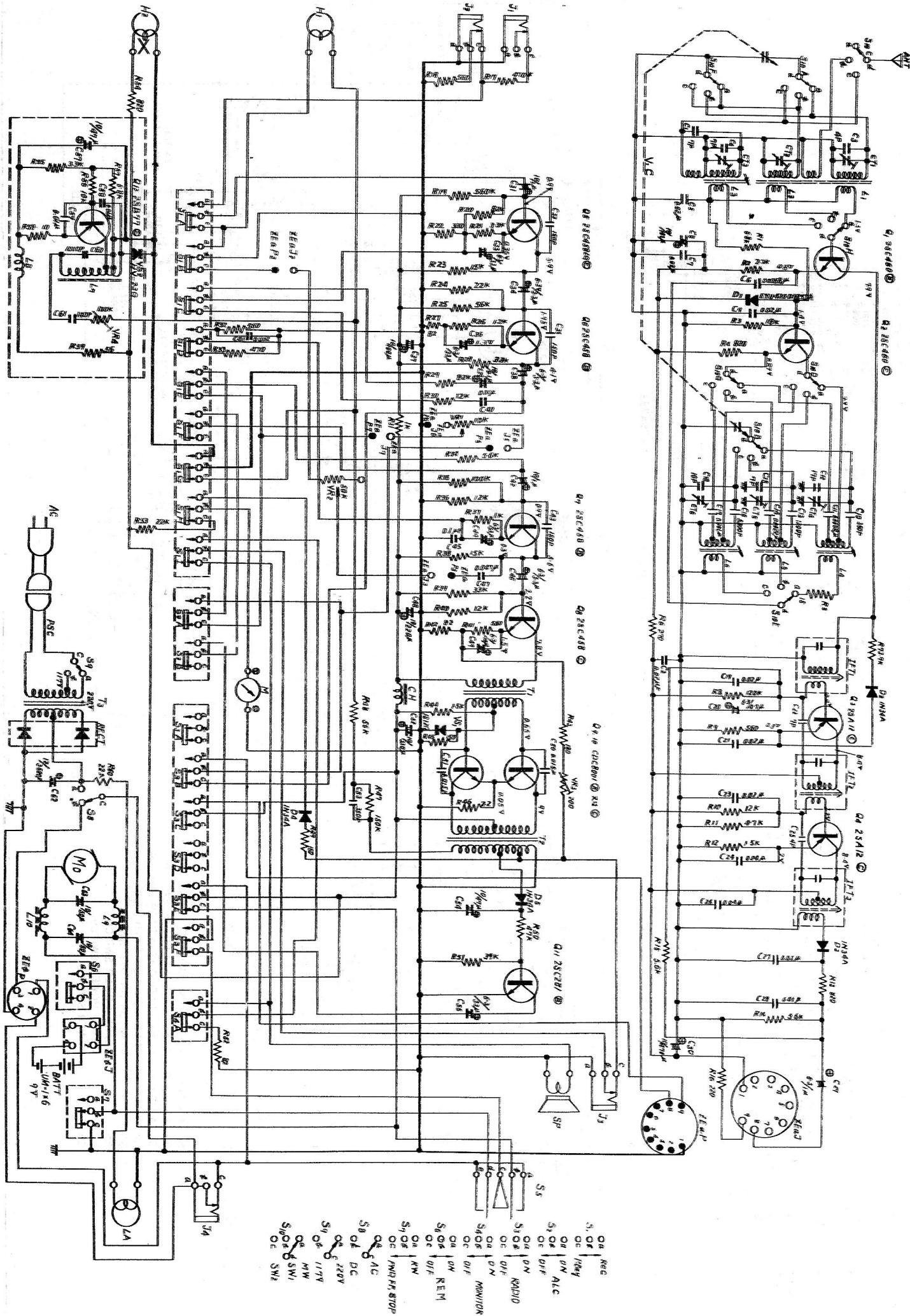




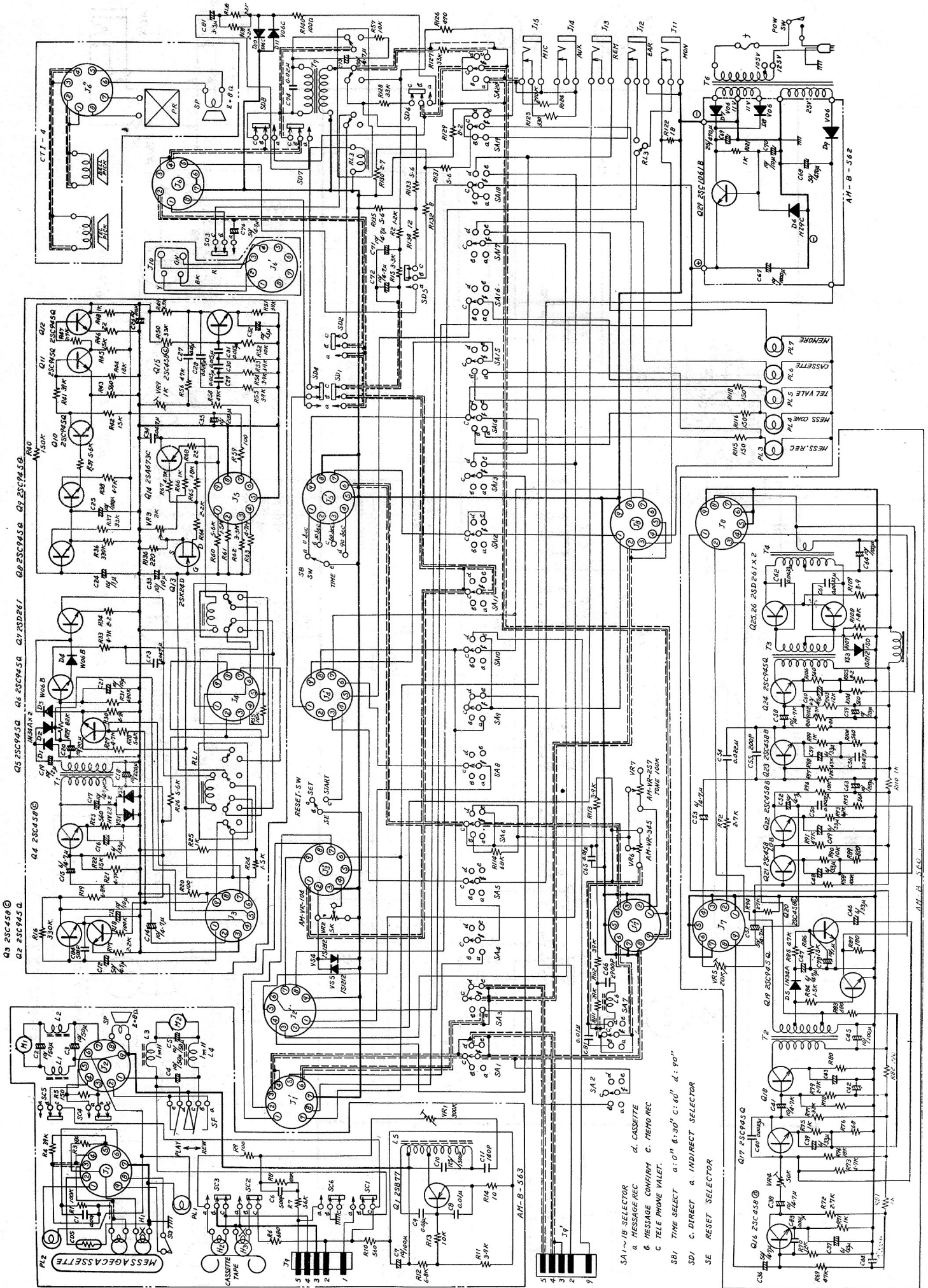




- S1-A ~ S1-J MW/SW/FM BAND SELECTOR SWITCH.
- S2-A ~ S2-D TAPE/RADIO SELECTOR SWITCH.
- S3-A ~ S3-F PLAY/RECORD SELECTOR SWITCH.
- S4 TONE HIGH/LOW SWITCH.
- S5 MONITOR ON/OFF SWITCH.
- S6 AC/DC POWER SWITCH.
- S7 MOTOR POWER SWITCH.
- S8 POWER SWITCH.



CROWN - MOD. CTA-4450



SA1-1/B SELECTOR  
 a MESSAGE REC  
 b MESSAGE CONFIRM  
 c MEMO REC  
 c TELEPHONE VALET

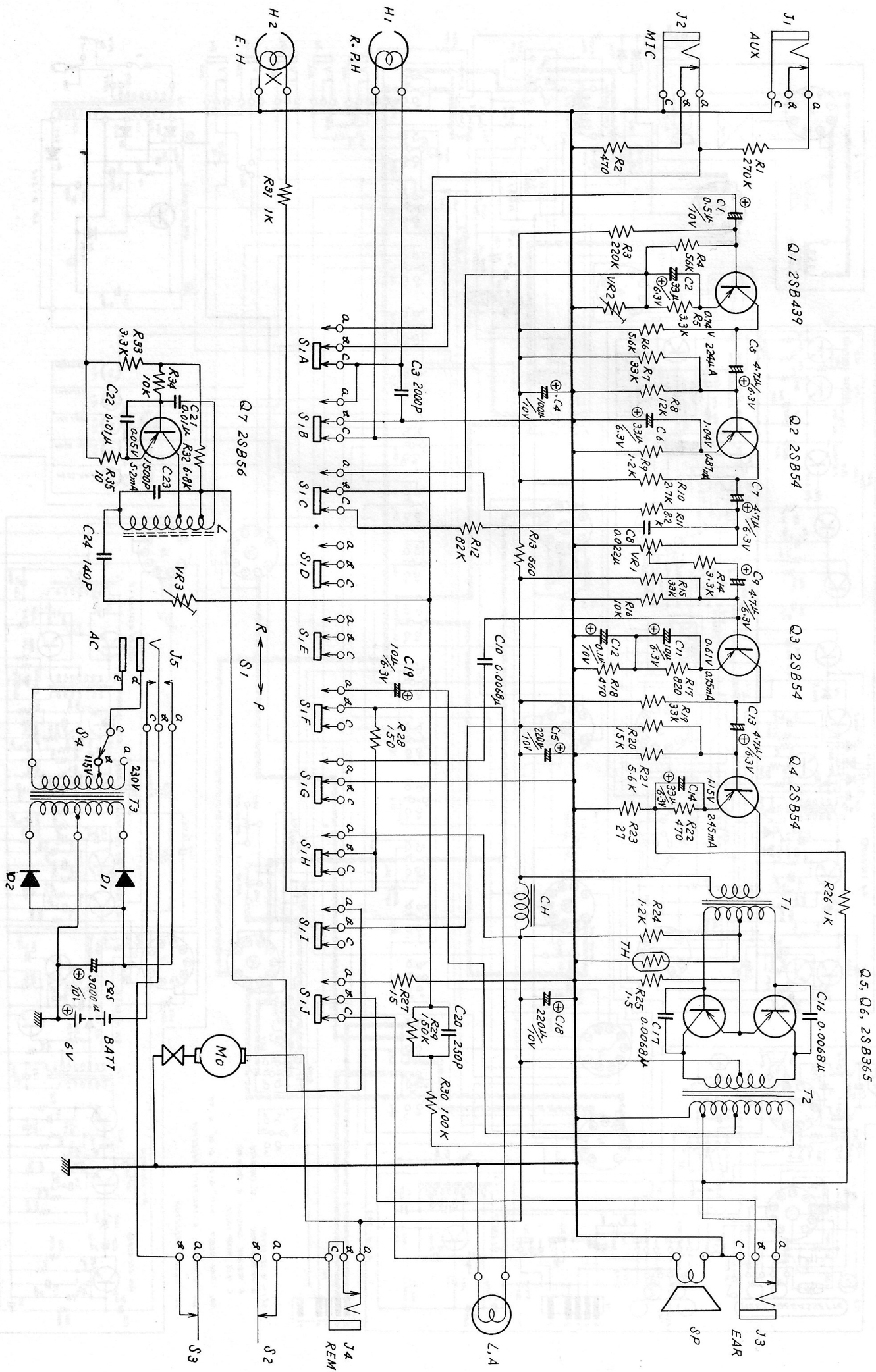
SB1 TIME SELECT a: 0° b: 30° c: 60° d: 90°

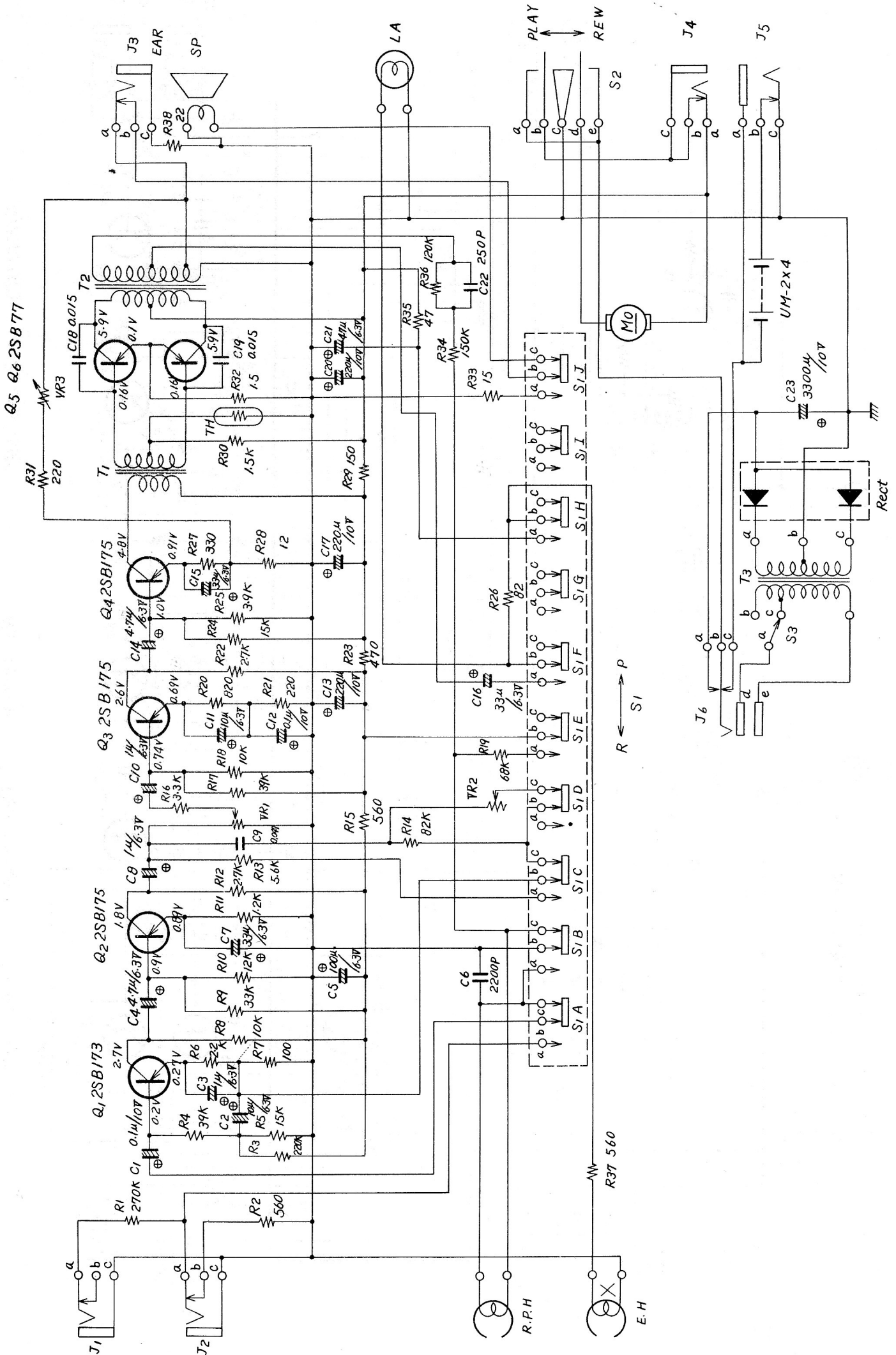
SD1 C. DIRECT & INDIRECT SELECTOR

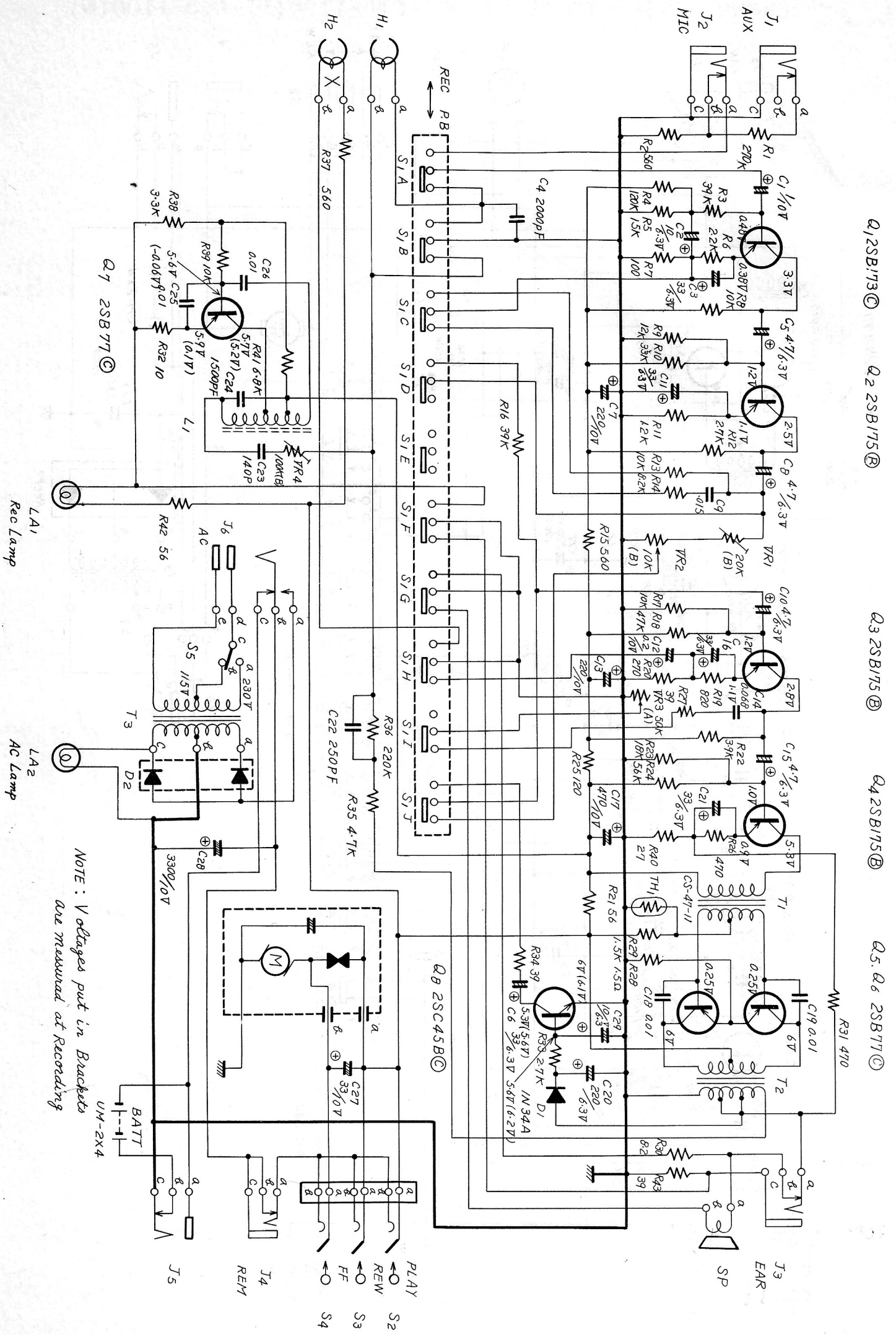
SE RESET SELECTOR



CROWN - MOD. CTR-320W







- Q1 2SB1713 ©
- Q2 2SB1715 Ⓑ
- Q3 2SB1715 Ⓑ
- Q4 2SB1715 Ⓑ
- Q5, Q6 2SB777 ©

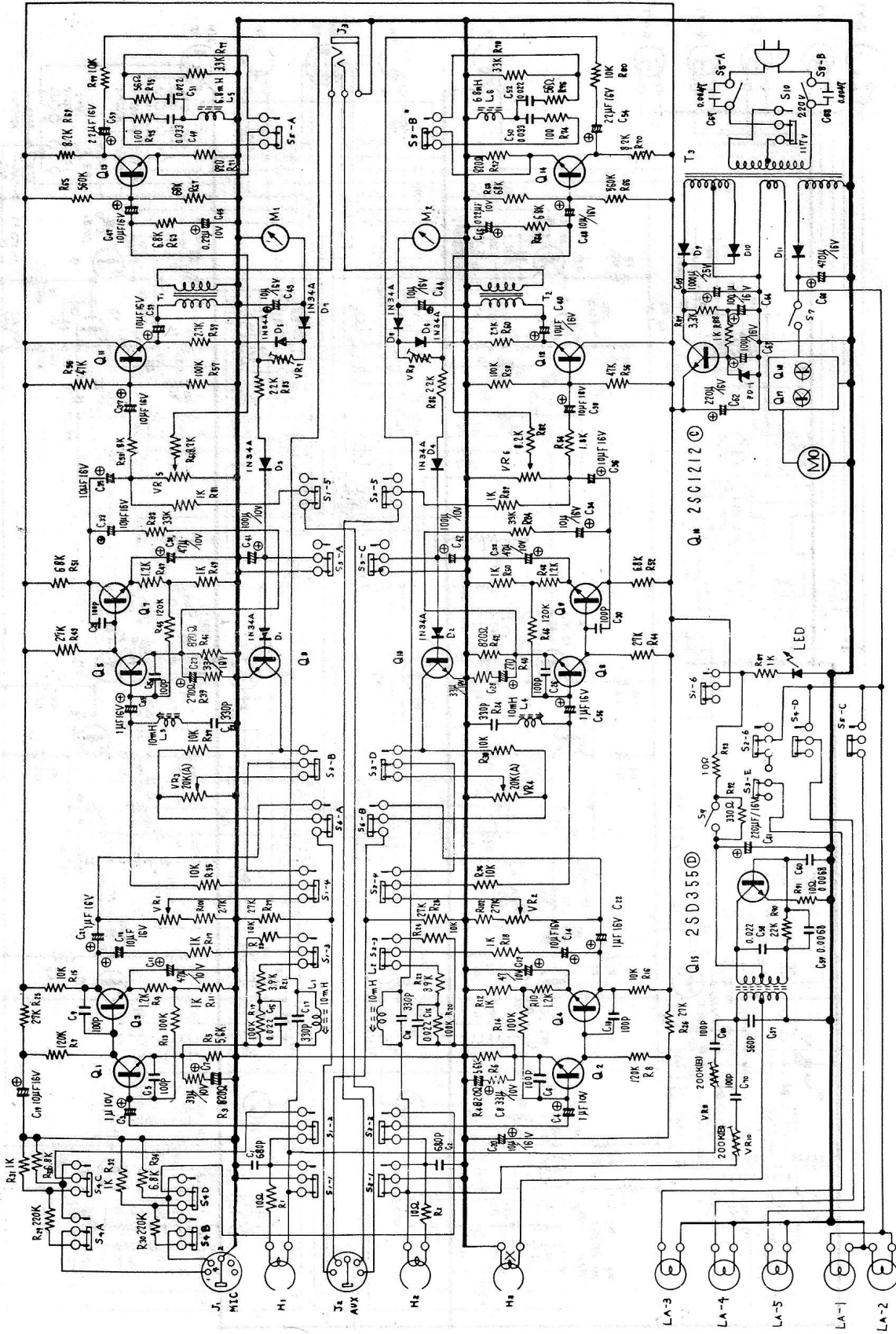
Q8 2SC45BC ©

NOTE: Voltages put in Brackets are measured at Recording

CROWN - MOD. CTD-1100 (VDE) - CTD-1100 (1) - CTD-1100 (W)

Q<sub>1</sub> ~ Q<sub>4</sub> 2SC1312②

Q<sub>5</sub> ~ Q<sub>8</sub> 2SC711②



- Switch
- S1, S2 ..... Play - Rec
  - S3 ..... ON - OFF
  - S4 ..... ALC
  - S5 ..... MIC Sensitivity
  - S6 ..... Rec Equalizer
  - S7 ..... Input
  - S8 ..... Motor
  - S9 ..... ON - OFF
  - ..... Rec Bias
  - ..... ON - OFF
  - ..... C/O - Normal

Condition ..... Play, Volume Minimum, AC220V, Tester 2003/V

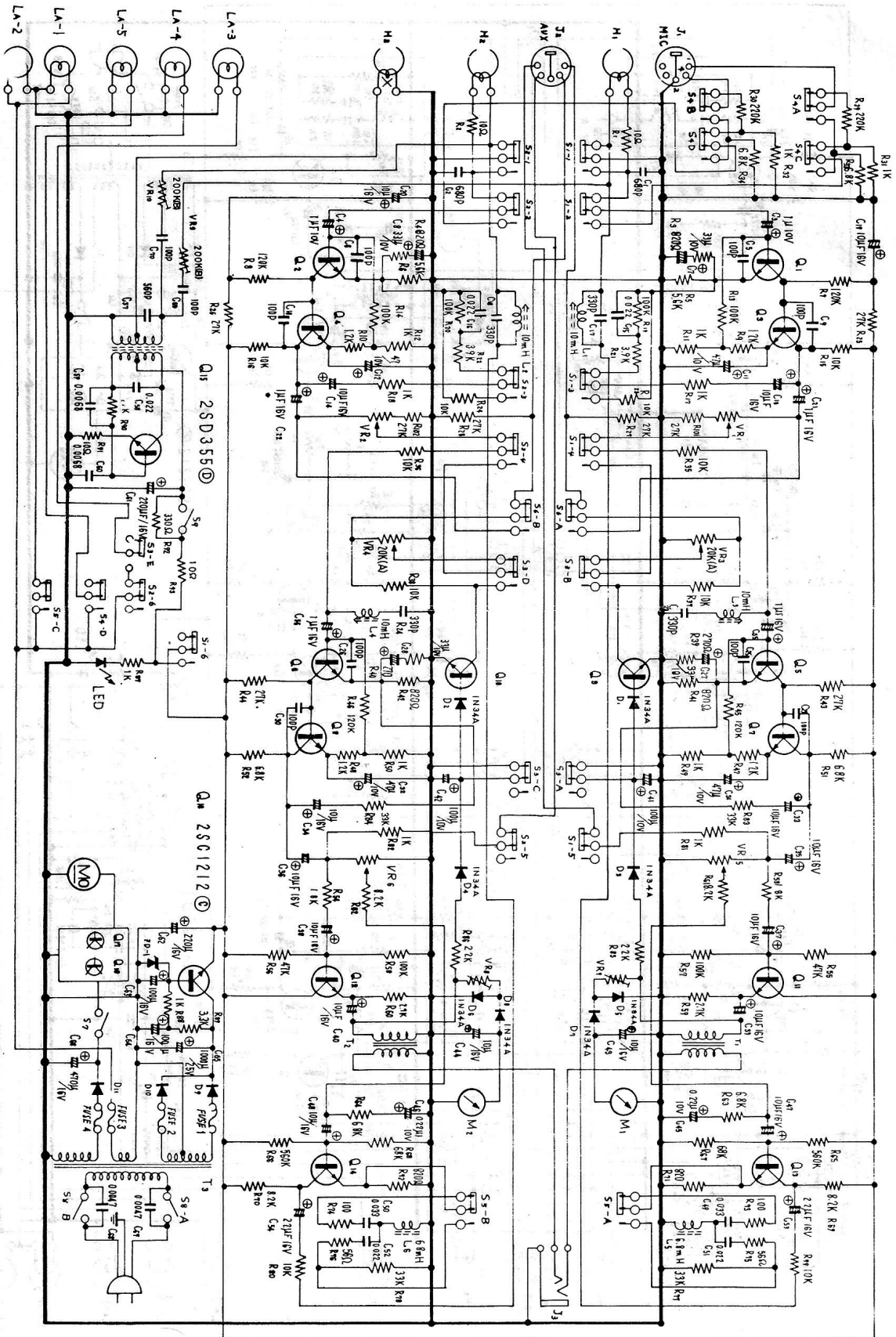
Voltage Value

	Q1	Q2	Q3	Q4	Q5	Q6	Q7	Q8	Q9	Q10	Q11	Q12	Q13	Q14	Q15	Q16
Base (V)	0.8	0.8	2.6	2.8	0.9	0.9	3.4	3.3	8.2	1.0	1.0	0.6	1.50	1.50	1.50	1.50
Collector (V)	2.6	2.6	4.3	4.2	3.4	3.3	5.7	5.7	14.5	14.5	7.6	7.8	6.7	25.0	25.0	25.0
Emitter (V)	0.4	0.4	2.1	2.1	0.4	0.4	2.8	2.8	8.5	8.6	0.6	0.6	0.2	14.5	14.5	14.5

CROWN - MOD. CTD-1100 (VDE) - CTD-1100 (1) - CTD-1100 (W)

Q1 ~ Q4 2SC1312(E)

Q5 ~ Q4 2SC711(E)



Voltage Value

Condition: Play, Volume Minimum, AC220V, Testw 200uV

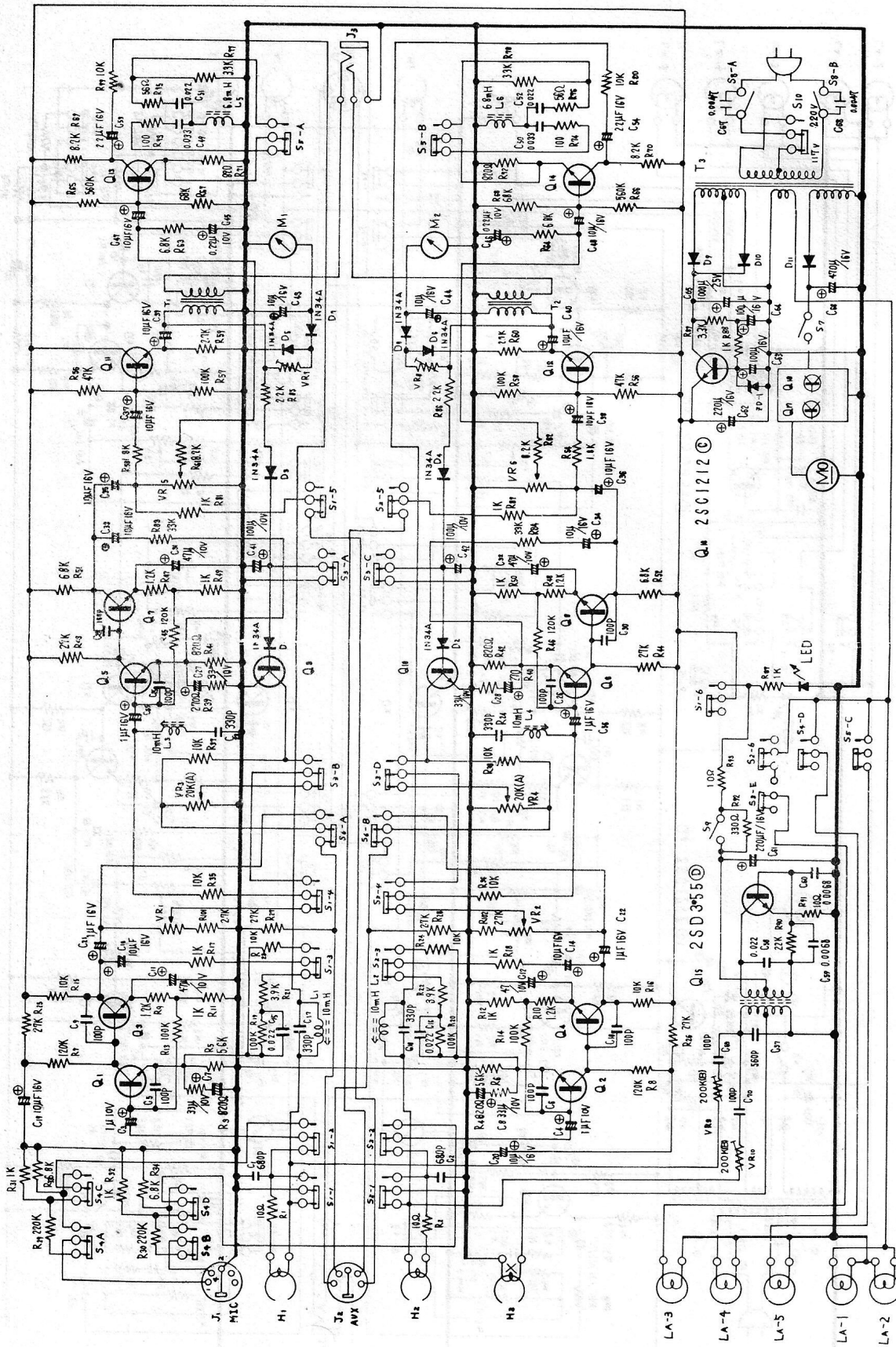
Q1	Q2	Q3	Q4	Q5	Q6	Q7	Q8	Q9	Q10	Q11	Q12	Q13	Q14	Q15	Q16
0.8	0.8	2.6	2.6	0.9	0.9	3.4	3.3	3.4	3.3	8.2	8.3	1.0	1.0	0.6	1.50
2.8	2.6	4.3	4.2	3.4	3.3	5.7	5.7	14.5	14.5	7.6	7.6	7.8	6.7	2.50	14.5
0.4	0.4	2.1	2.1	0.4	0.4	2.8	2.8	8.5	8.6	8.6	0.6	0.6	0.2	14.5	

- Switch
- S1, S2 ..... Play - Rec
  - S3 ..... ON - OFF
  - S4 ..... ALC
  - S5 ..... MIC Sensitivity
  - S6 ..... Rec Equalizer
  - S7 ..... Input
  - S8 ..... Motor
  - S9 ..... Power
  - S10 ..... Rec Bias
  - S11 ..... ON - OFF
  - S12 ..... Normal
  - S13 ..... ON - OFF
  - S14 ..... Normal
  - S15 ..... ON - OFF
  - S16 ..... Normal
  - S17 ..... ON - OFF
  - S18 ..... Normal
  - S19 ..... ON - OFF
  - S20 ..... Normal
  - S21 ..... ON - OFF
  - S22 ..... Normal
  - S23 ..... ON - OFF
  - S24 ..... Normal
  - S25 ..... ON - OFF
  - S26 ..... Normal
  - S27 ..... ON - OFF
  - S28 ..... Normal
  - S29 ..... ON - OFF
  - S30 ..... Normal
  - S31 ..... ON - OFF
  - S32 ..... Normal
  - S33 ..... ON - OFF
  - S34 ..... Normal
  - S35 ..... ON - OFF
  - S36 ..... Normal
  - S37 ..... ON - OFF
  - S38 ..... Normal
  - S39 ..... ON - OFF
  - S40 ..... Normal
  - S41 ..... ON - OFF
  - S42 ..... Normal
  - S43 ..... ON - OFF
  - S44 ..... Normal
  - S45 ..... ON - OFF
  - S46 ..... Normal
  - S47 ..... ON - OFF
  - S48 ..... Normal
  - S49 ..... ON - OFF
  - S50 ..... Normal
  - S51 ..... ON - OFF
  - S52 ..... Normal
  - S53 ..... ON - OFF
  - S54 ..... Normal
  - S55 ..... ON - OFF
  - S56 ..... Normal
  - S57 ..... ON - OFF
  - S58 ..... Normal
  - S59 ..... ON - OFF
  - S60 ..... Normal
  - S61 ..... ON - OFF
  - S62 ..... Normal
  - S63 ..... ON - OFF
  - S64 ..... Normal
  - S65 ..... ON - OFF
  - S66 ..... Normal
  - S67 ..... ON - OFF
  - S68 ..... Normal
  - S69 ..... ON - OFF
  - S70 ..... Normal
  - S71 ..... ON - OFF
  - S72 ..... Normal
  - S73 ..... ON - OFF
  - S74 ..... Normal
  - S75 ..... ON - OFF
  - S76 ..... Normal
  - S77 ..... ON - OFF
  - S78 ..... Normal
  - S79 ..... ON - OFF
  - S80 ..... Normal
  - S81 ..... ON - OFF
  - S82 ..... Normal
  - S83 ..... ON - OFF
  - S84 ..... Normal
  - S85 ..... ON - OFF
  - S86 ..... Normal
  - S87 ..... ON - OFF
  - S88 ..... Normal
  - S89 ..... ON - OFF
  - S90 ..... Normal
  - S91 ..... ON - OFF
  - S92 ..... Normal
  - S93 ..... ON - OFF
  - S94 ..... Normal
  - S95 ..... ON - OFF
  - S96 ..... Normal
  - S97 ..... ON - OFF
  - S98 ..... Normal
  - S99 ..... ON - OFF
  - S100 ..... Normal

CROWN - MOD.CTD-1100-1100(1)-1100W(2)

Q5 ~ Q4 2SC711E

Q1 ~ Q4 2SC1312C



- Switch
- S1-S2 Play - Rec
  - S3 ON - OFF
  - S4 ALC
  - S5 MIC Sensitivity
  - S6 Rec. Equalizer
  - S7 Input
  - S8 Motor
  - S9 Power
- Play - Rec  
ON - OFF  
60mV - 0.3mV  
Normal - CRO  
Normal - MIC  
ON - OFF  
ON - OFF  
CRO - Normal

Condition ..... Play, Volume Minimum, AC220V, Tj=50°C

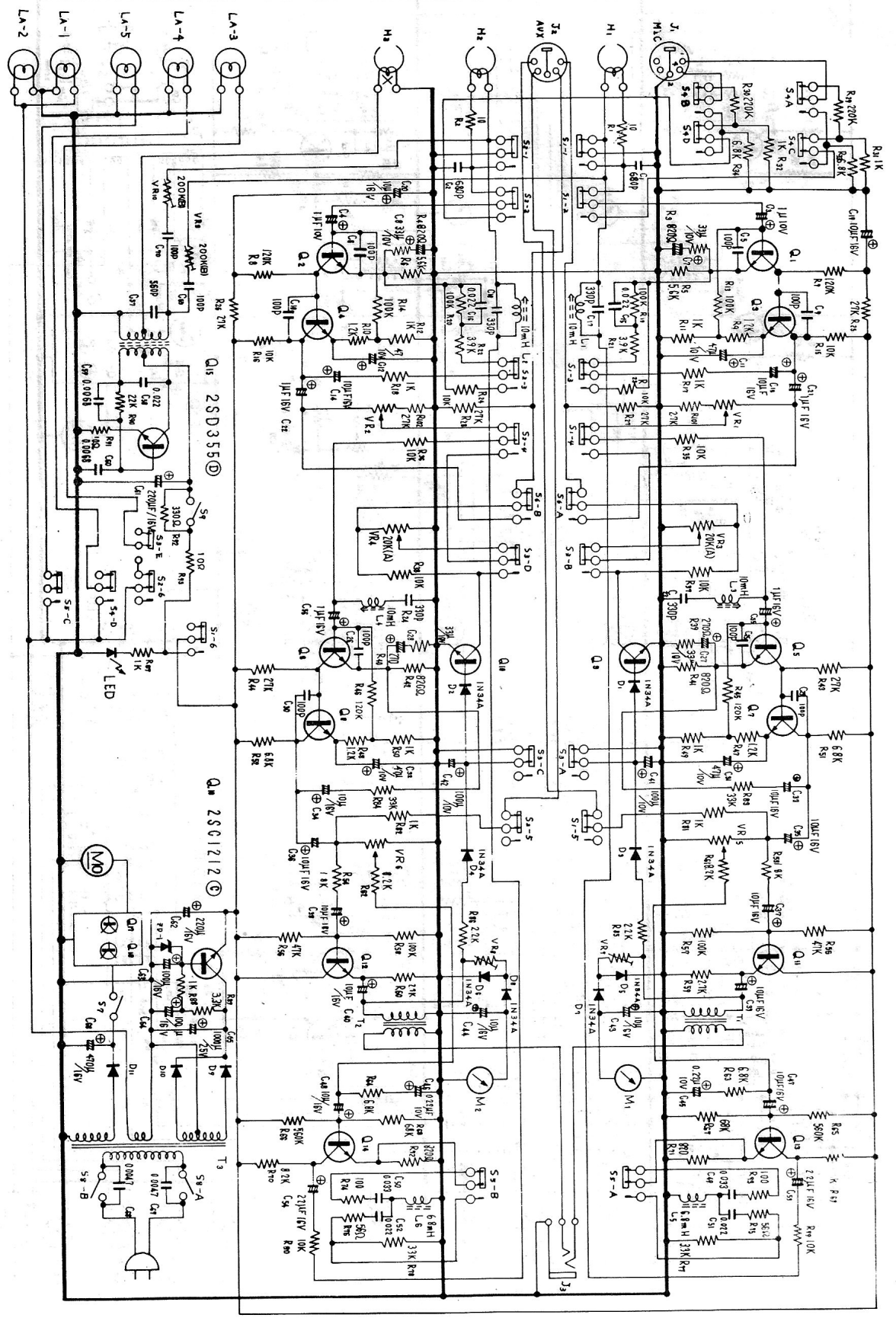
Voltage Value

	Q1	Q2	Q3	Q4	Q5	Q6	Q7	Q8	Q9	Q10	Q11	Q12	Q13	Q14	Q15	Q16
Base (V)	0.8	0.8	2.6	2.6	0.9	0.9	3.4	3.3	8.2	8.3	1.0	1.0	0.6	15.0	0.6	15.0
Collector (V)	2.6	2.6	4.3	4.2	3.4	3.3	5.7	5.7	14.5	14.5	7.6	7.8	6.7	26.0	6.7	26.0
Emitter (V)	0.4	0.4	2.1	2.1	0.4	0.4	2.8	2.8	8.5	8.5	0.6	0.6	0.2	14.5	0.2	14.5

CROWN - MOD. CTD-1100 - 1100(1) - 1100(W)

Q1 ~ Q4 2SC1312 ⊕

Q5 ~ Q4 2SC711E ⊕



Voltage Value

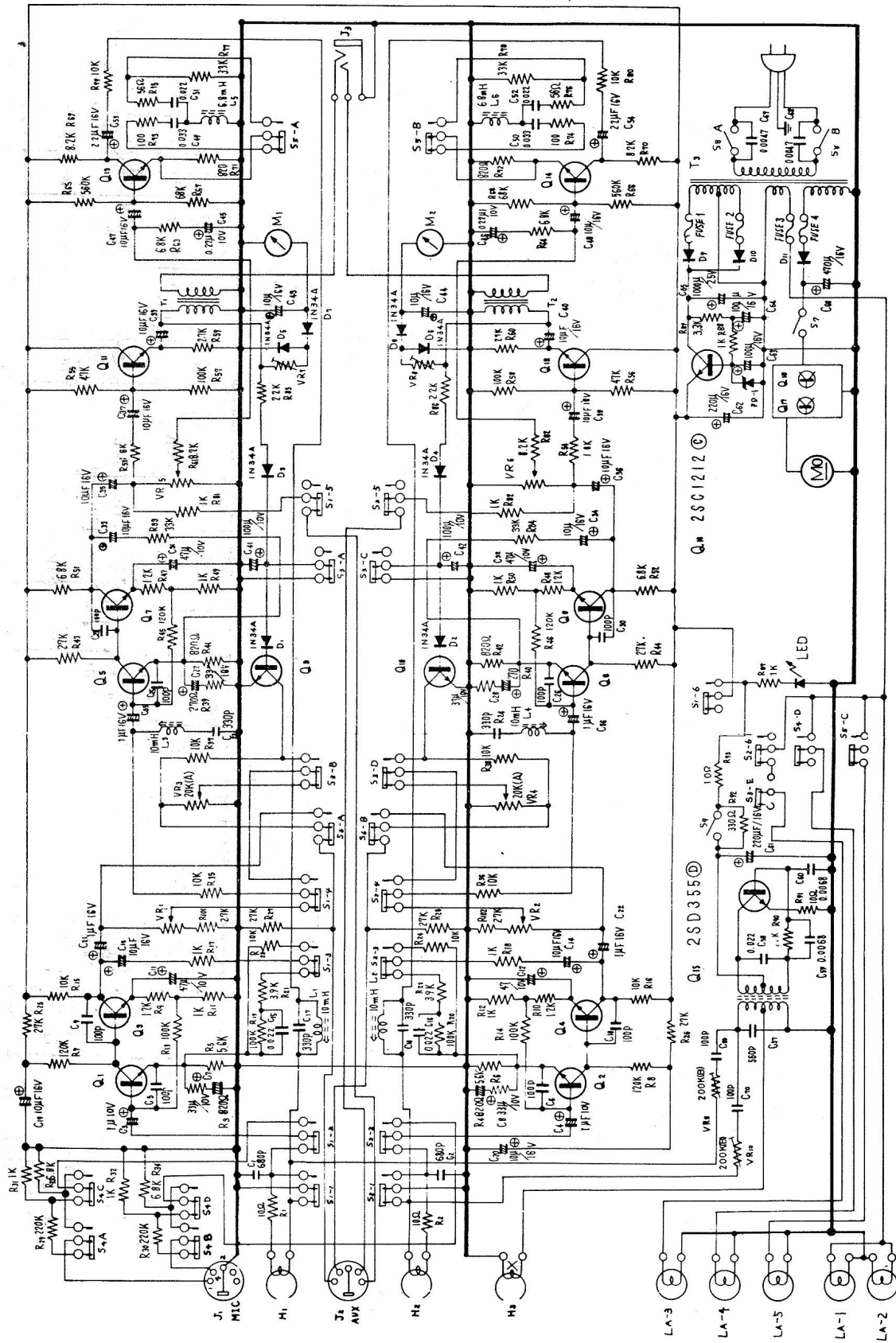
Condition ..... Play, Volume Minimum, AC220V, Taper 20dB/V

	Q1	Q2	Q3	Q4	7 Q8	Q6	Q7	Q8	Q10	Q11	Q12	Q13	Q14	Q15	Q16
Base (V)	0.8	0.8	2.6	2.6	0.8	0.9	3.4	3.3	8.2	8.3	1.0	1.0	0.6	15.0	
Collector (V)	2.6	2.6	4.3	4.2	3.4	3.3	5.7	5.7	14.5	14.5	7.6	7.8	6.7	25.0	
Emitter (V)	0.4	0.4	2.1	2.1	0.4	0.4	2.8	2.8	8.5	8.6	0.6	0.6	0.2	14.5	

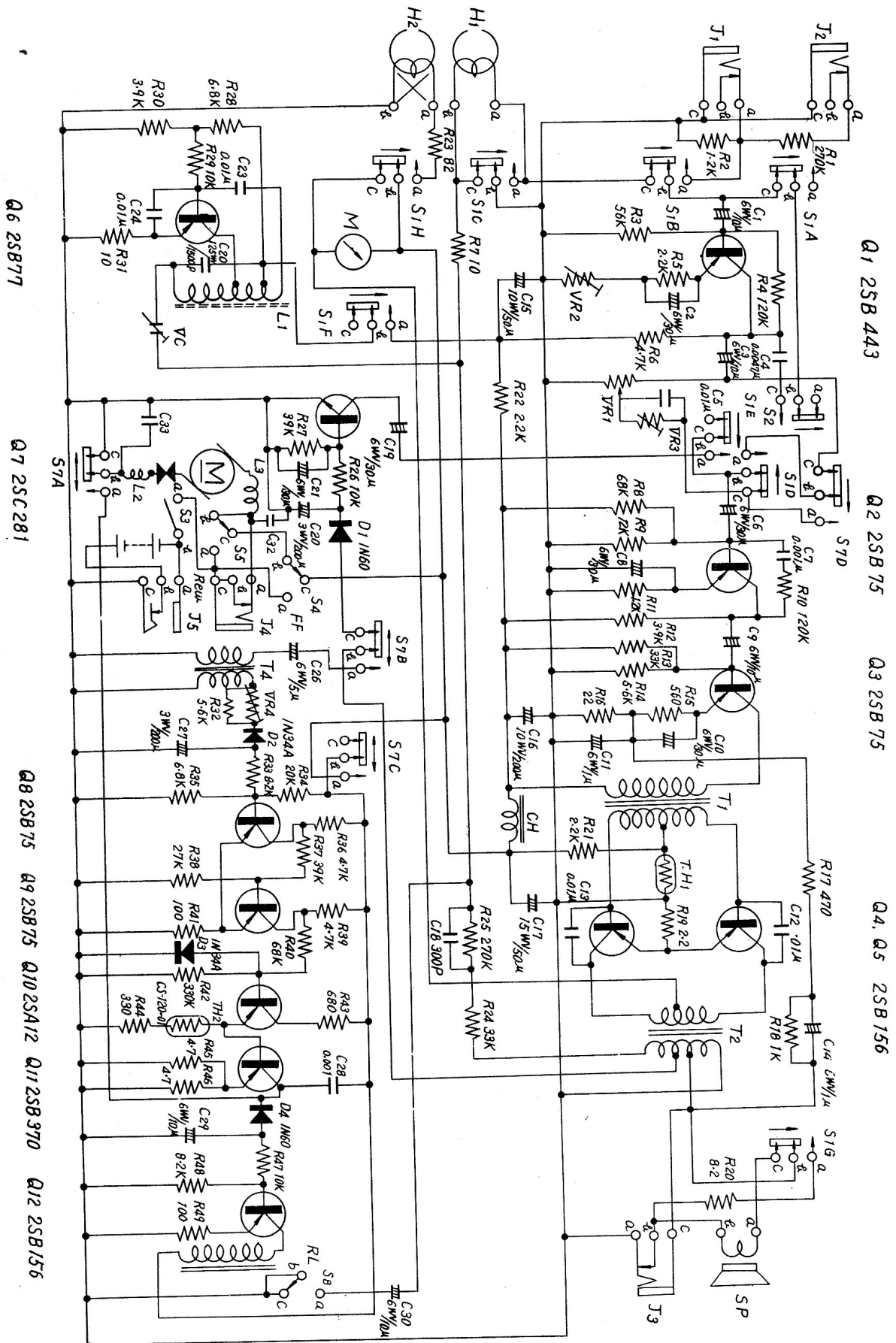
- Switch
- S1, S2 ..... Play - Rec
  - S3 ..... ALC
  - S4 ..... MIC Sensitivity
  - S5 ..... Rec Equalizer
  - S6 ..... Normal - CQ
  - S7 ..... Input - MIC
  - S8 ..... Motor
  - S9 ..... Power
  - Rec Bias
- Play - Rec
- ON - OFF
  - 60mV - 0.3mV
  - Normal - CQ
  - DIN - MIC
  - ON - OFF
  - ON - OFF
  - CO<sub>2</sub> - Normal

Q<sub>5</sub> ~ Q<sub>14</sub> 2SC711E

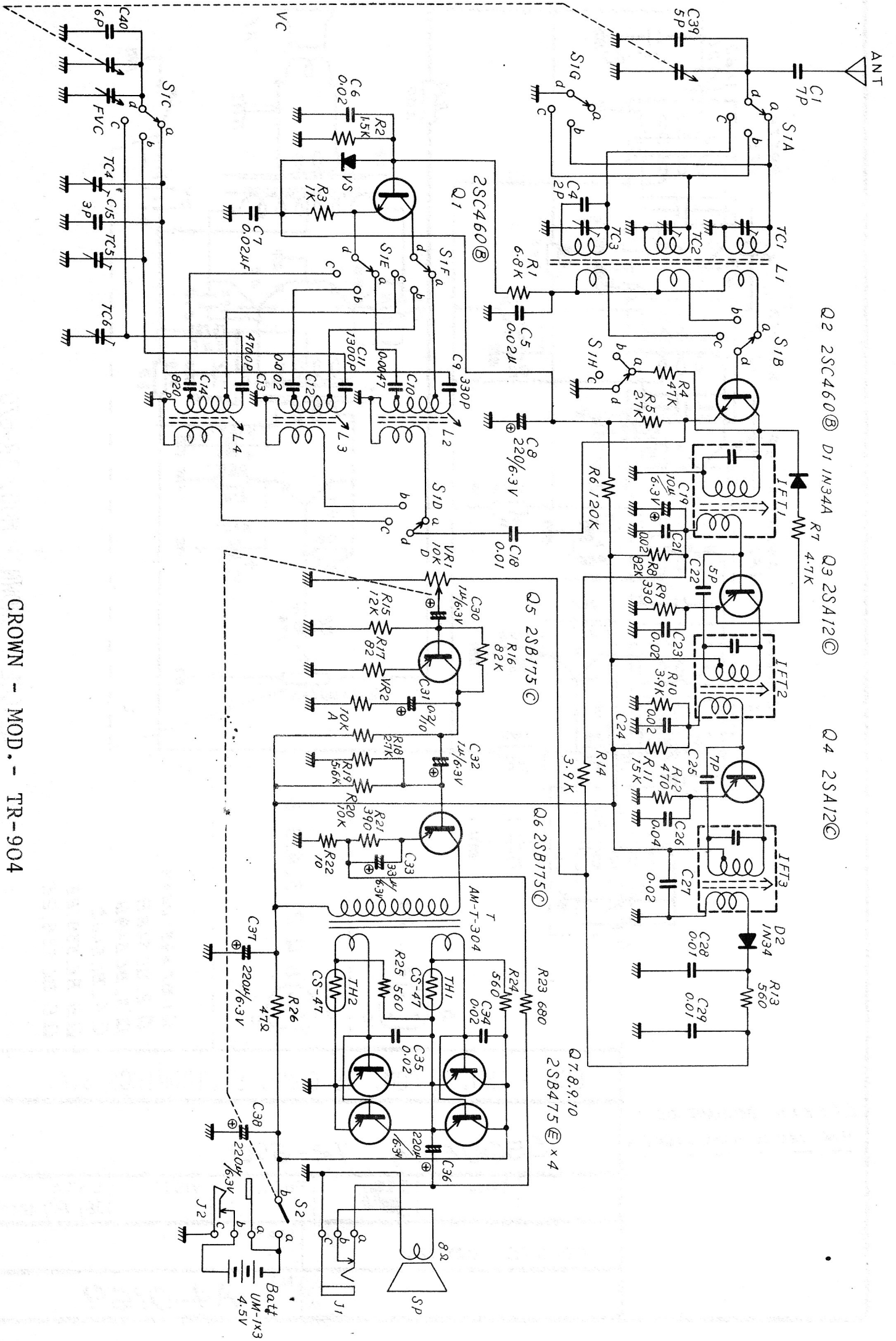
Q<sub>1</sub> ~ Q<sub>4</sub> 2SC1312E





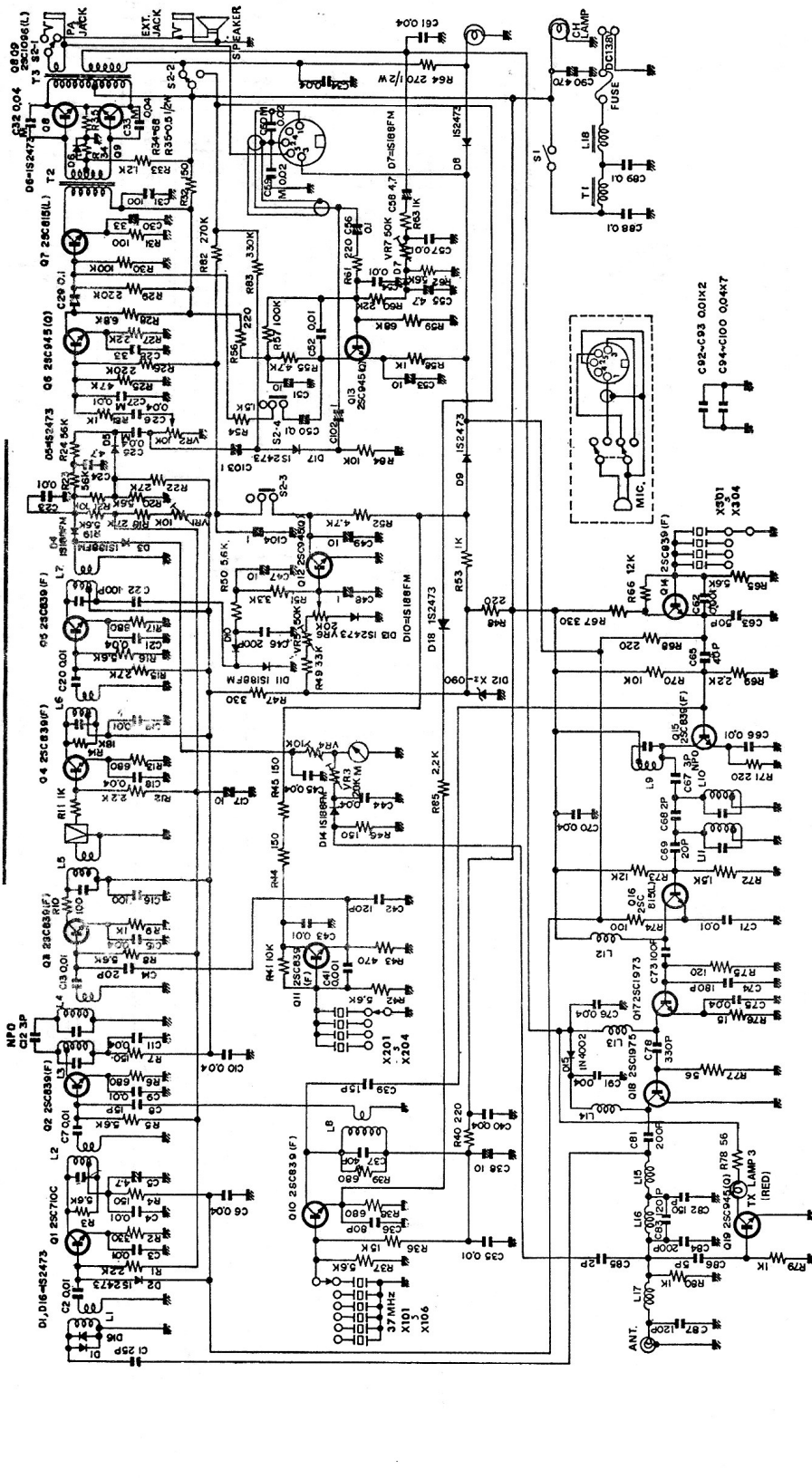






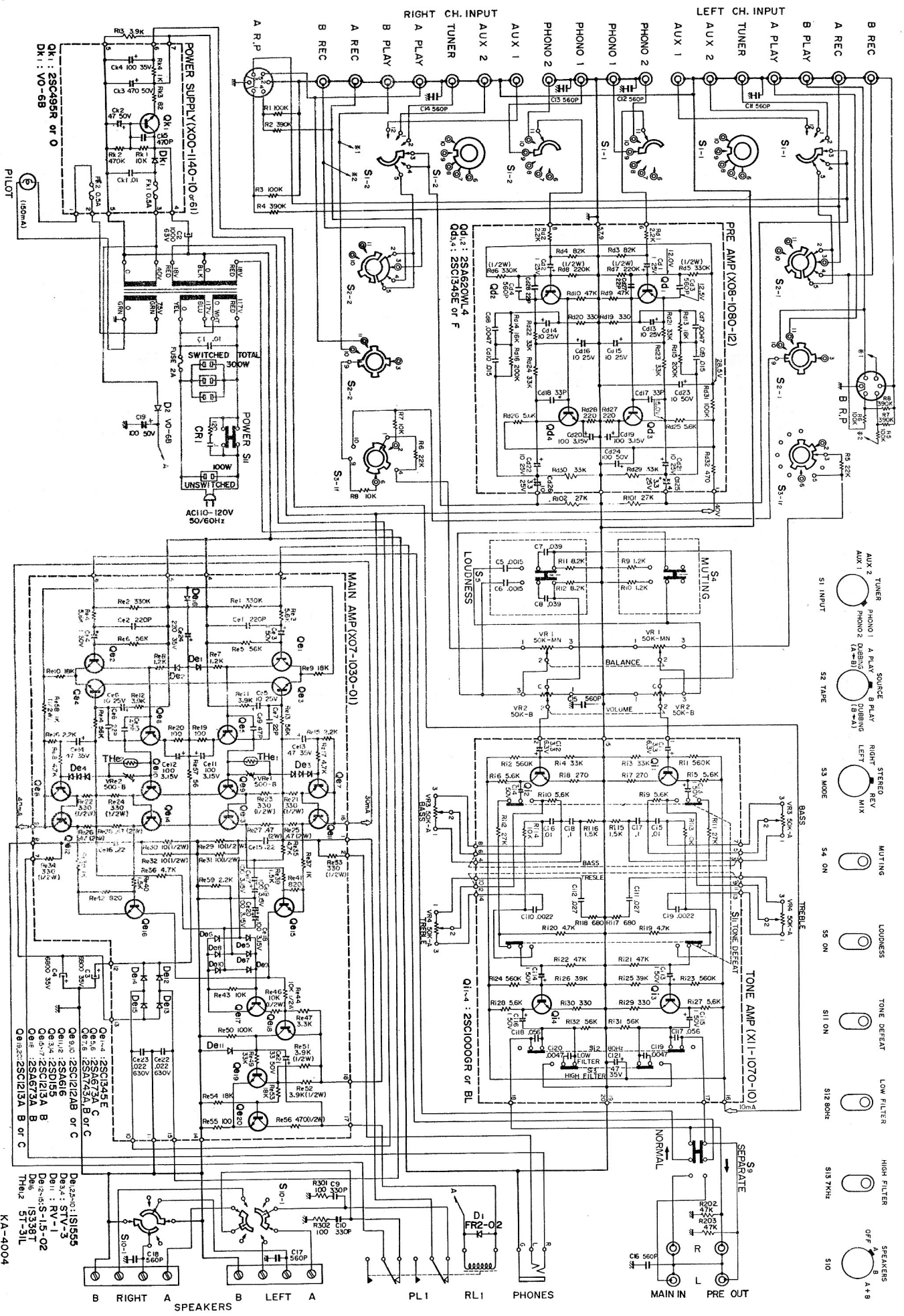
CROWN - MOD. - TR-904

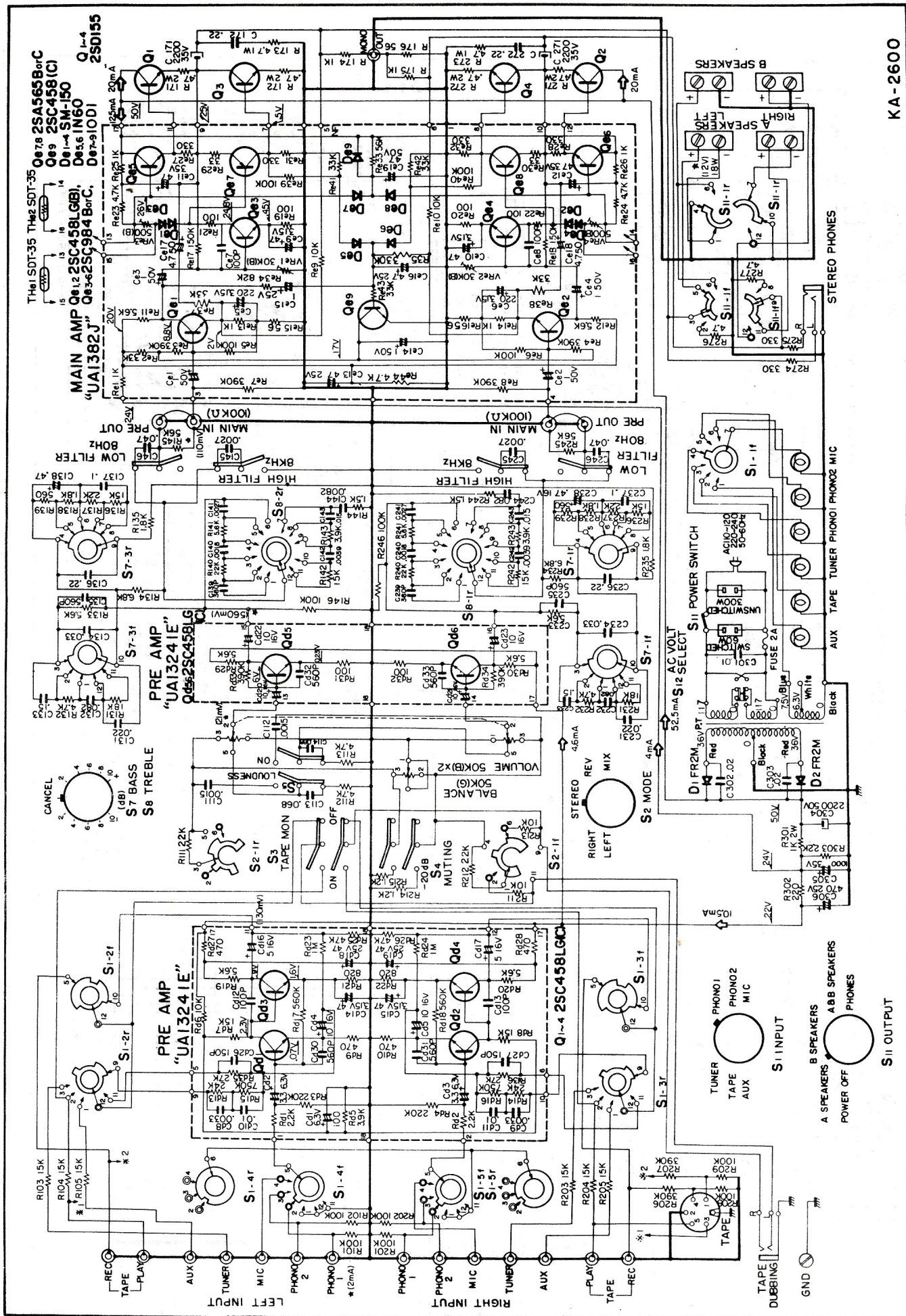
SCHEMATIC DIAGRAM



- |                       |         |                           |                      |         |                                    |                                   |        |                                      |
|-----------------------|---------|---------------------------|----------------------|---------|------------------------------------|-----------------------------------|--------|--------------------------------------|
| TRANSISTOR COMPLEMENT | Q13     | 2SC945                    | MICROPHONE AMPLIFIER | D5      | IS2473                             | NOISE LIMITER GATE                |        |                                      |
| Q1                    | 2SC710  | R.F. AMPLIFIER            | Q14                  | 2SC839  | TRANSMITTER 10MHz OSCILLATOR       | D6                                | IS2473 | A.F. POWER AMPLIFIER STABILIZER      |
| Q2                    | 2SC839  | 1ST RECEIVER MIXER        | Q15                  | 2SC839  | TRANSMITTER MIXER                  | D7                                | IS188  | A.F. DETECTOR FOR MODULATION LIMITER |
| Q3                    | 2SC839  | 2ND RECEIVER MIXER        | Q16                  | 2SC815  | TRANSMITTER BUFFER                 | D8                                | IS2473 | T-R SWITCHING                        |
| Q4                    | 2SC839  | 455KHz I.F. AMPLIFIER     | Q17                  | 2SC1973 | TRANSMITTER DRIVER                 | D9                                | IS2473 | T-R SWITCHING                        |
| Q5                    | 2SC839  | 455KHz I.F. AMPLIFIER     | Q18                  | 2SC1975 | TRANSMITTER POWER AMPLIFIER        | D10                               | IS188  | SQUELCH DETECTOR                     |
| Q6                    | 2SC945  | A.F. AMPLIFIER            | Q19                  | 2SC945  | MODULATION INDICATOR LAMP DRIVER   | D11                               | IS188  | SQUELCH DETECTOR                     |
| Q7                    | 2SC815  | A.F. DRIVER               | DIODE COMPLEMENT     | D12     | WZ-090                             | VOLTAGE STABILIZER                |        |                                      |
| Q8                    | 2SC1096 | A.F. POWER AMPLIFIER      | D1                   | IS2473  | RECEIVER R.F. AMPLIFIER PROTECTION | SQUELCH SWITCHING STABILIZER      |        |                                      |
| Q9                    | 2SC1096 | A.F. POWER AMPLIFIER      | D2                   | IS2473  | RECEIVER R.F. AMPLIFIER PROTECTION | SQUELCH SWITCHING STABILIZER      |        |                                      |
| Q10                   | 2SC839  | 37MHz OSCILLATOR          | D3                   | IS188   | METER DETECTOR                     | METER DETECTOR                    |        |                                      |
| Q11                   | 2SC839  | RECEIVER 10MHz OSCILLATOR | D4                   | IS188   | DETECTOR                           | CURRENT PROTECTOR                 |        |                                      |
| Q12                   | 2SC945  | SQUELCH SWITCHING         |                      |         |                                    | RECEIVER R.F. AMPLIFIER PROTECTOR |        |                                      |
|                       |         |                           |                      |         |                                    | SWITCHING PROTECTOR               |        |                                      |
|                       |         |                           |                      |         |                                    | AMPLIFIER PROTECTOR               |        |                                      |

"GRANADA" - MODELO CB-4

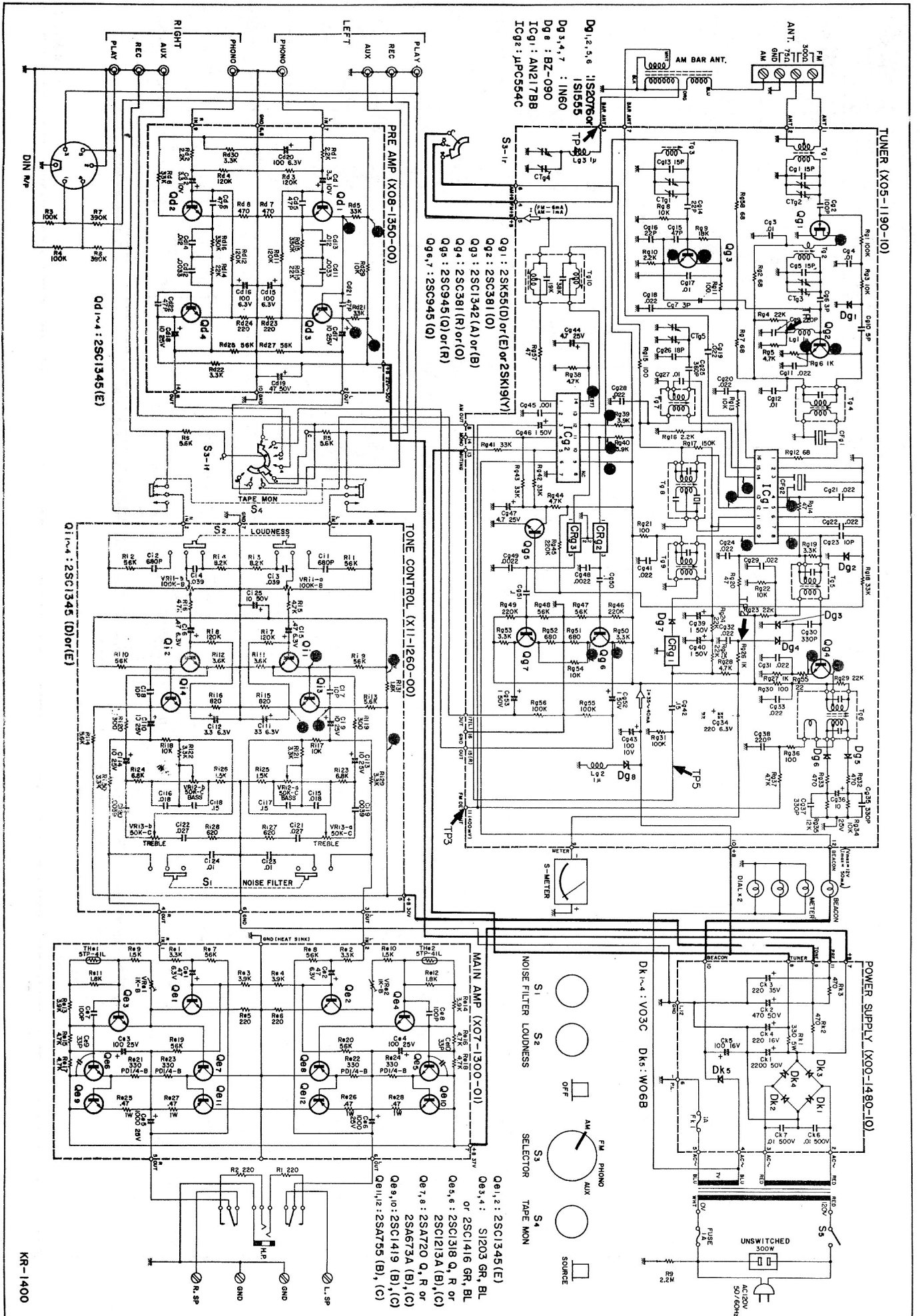




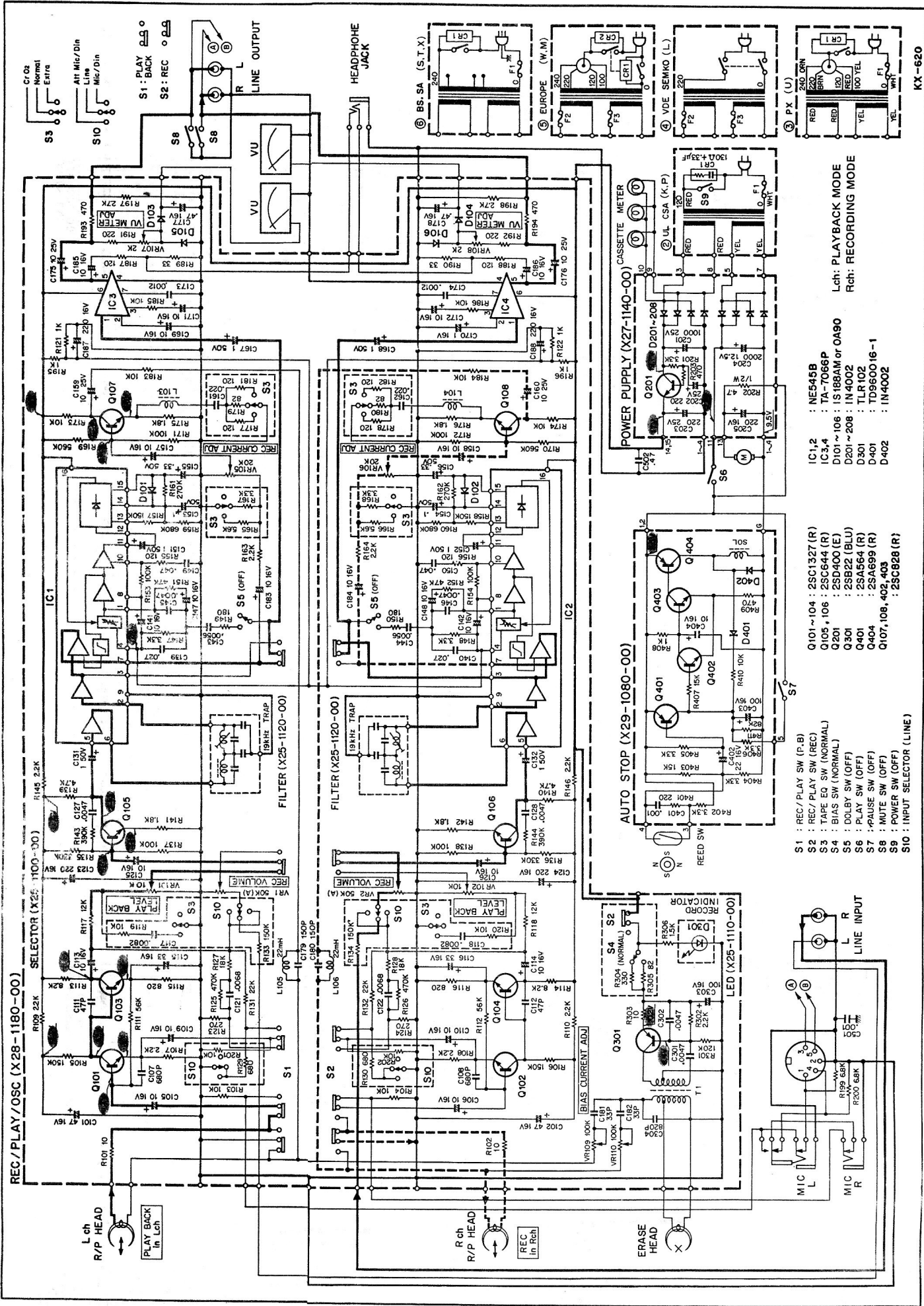
KA-2600

KENWOOD - MOD. KA-2600

# KENWOOD - MOD. KR-1400



KR-1400



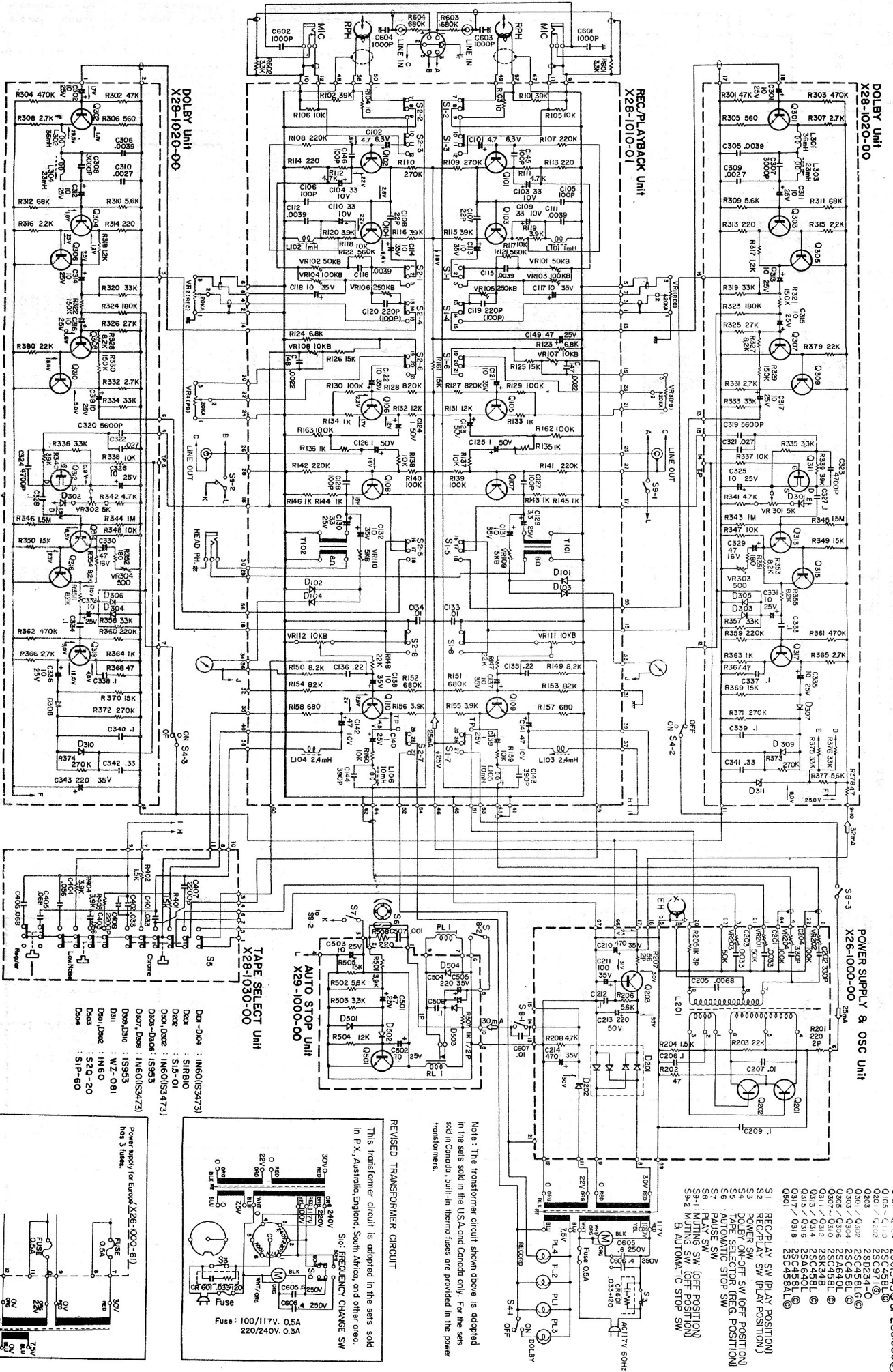
- S1 : REC/PLAY SW (P.B)  
 S2 : REC/PLAY SW (REC)  
 S3 : TAPE EQ SW (NORMAL)  
 S4 : BIAS SW (NORMAL)  
 S5 : DOLBY SW (OFF)  
 S6 : PLAY SW (OFF)  
 S7 : PAUSE SW (OFF)  
 S8 : MUTE SW (OFF)  
 S9 : POWER SW (OFF)  
 S10 : INPUT SELECTOR (LINE)
- IC1,2 : NE545B  
 IC3,4 : TA-7066P  
 D101 ~ 106 : 1S188AM or OA90  
 D201 ~ 208 : IN4002  
 D301 : TLR102  
 D401 : TD960016-1  
 D402 : IN4002
- Q101 ~ 104 : 2SC1327(R)  
 Q105, 106 : 2SC644(R)  
 Q201 : 2SD400(E)  
 Q301 : 2SB422(BLU)  
 Q401 : 2SA564(R)  
 Q404 : 2SA699(R)  
 Q107, 108, 402, 403 : 2SC828(R)
- Lch: PLAYBACK MODE  
 Rch: RECORDING MODE

KX-620

KENWOOD - MOD. KX-620



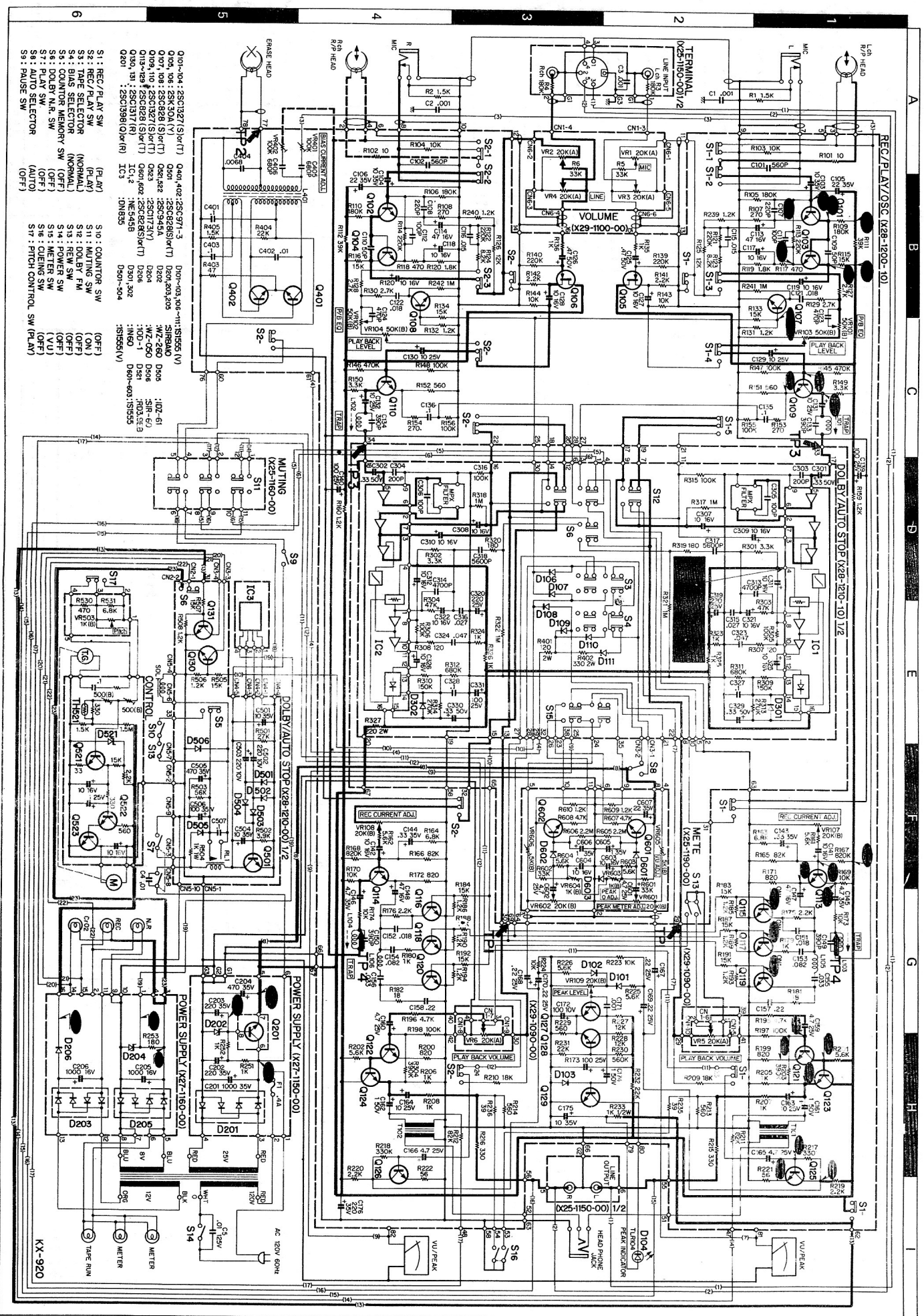
REC/98



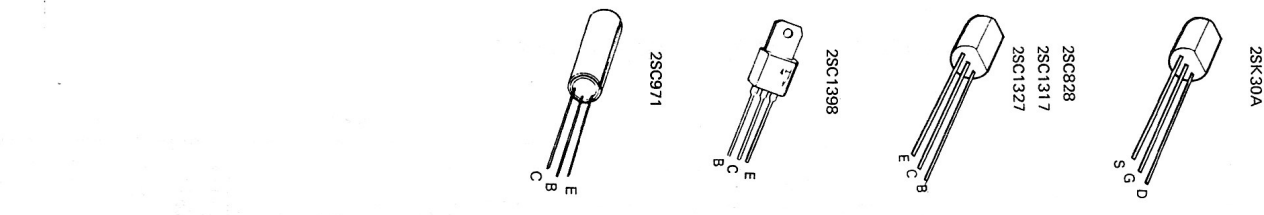
- D04-D04 : 1N601CS473
- D04 : SIR10
- D02 : S1S-01
- D04, D02 : 1N601CS473
- D03-D10C : 1S953
- D07, D08 : 1N601CS473
- D09, D10 : WZ-081
- D01, D06 : 1N60
- D03 : S720-20
- D05 : S1P-60

- Q101-Q114 : 2SC13450 or 2SC0000
- Q105-Q110 : 2SC4581
- Q201-Q202 : 2SC971
- Q203-Q204 : 2SD234-02
- Q205-Q206 : 2SC4581G
- Q207-Q208 : 2SC4581
- Q209-Q210 : 2SC4581
- Q301-Q310 : 2SC4581
- Q311-Q312 : 2SK348
- Q313-Q314 : 2SC4581
- Q315-Q316 : 2SA4401
- Q317-Q318 : 2SC4581

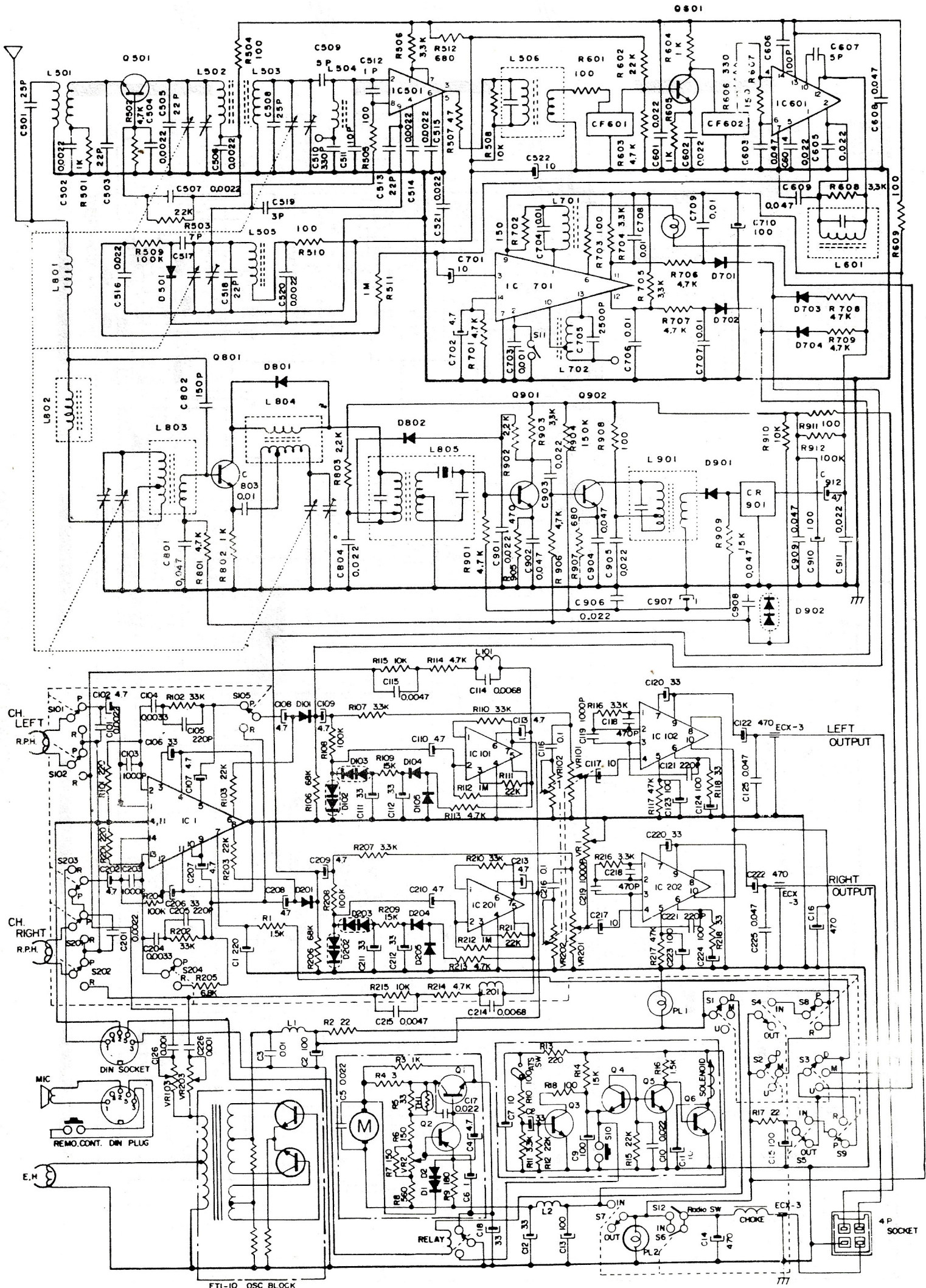
026-KX MOD - KENWOOD

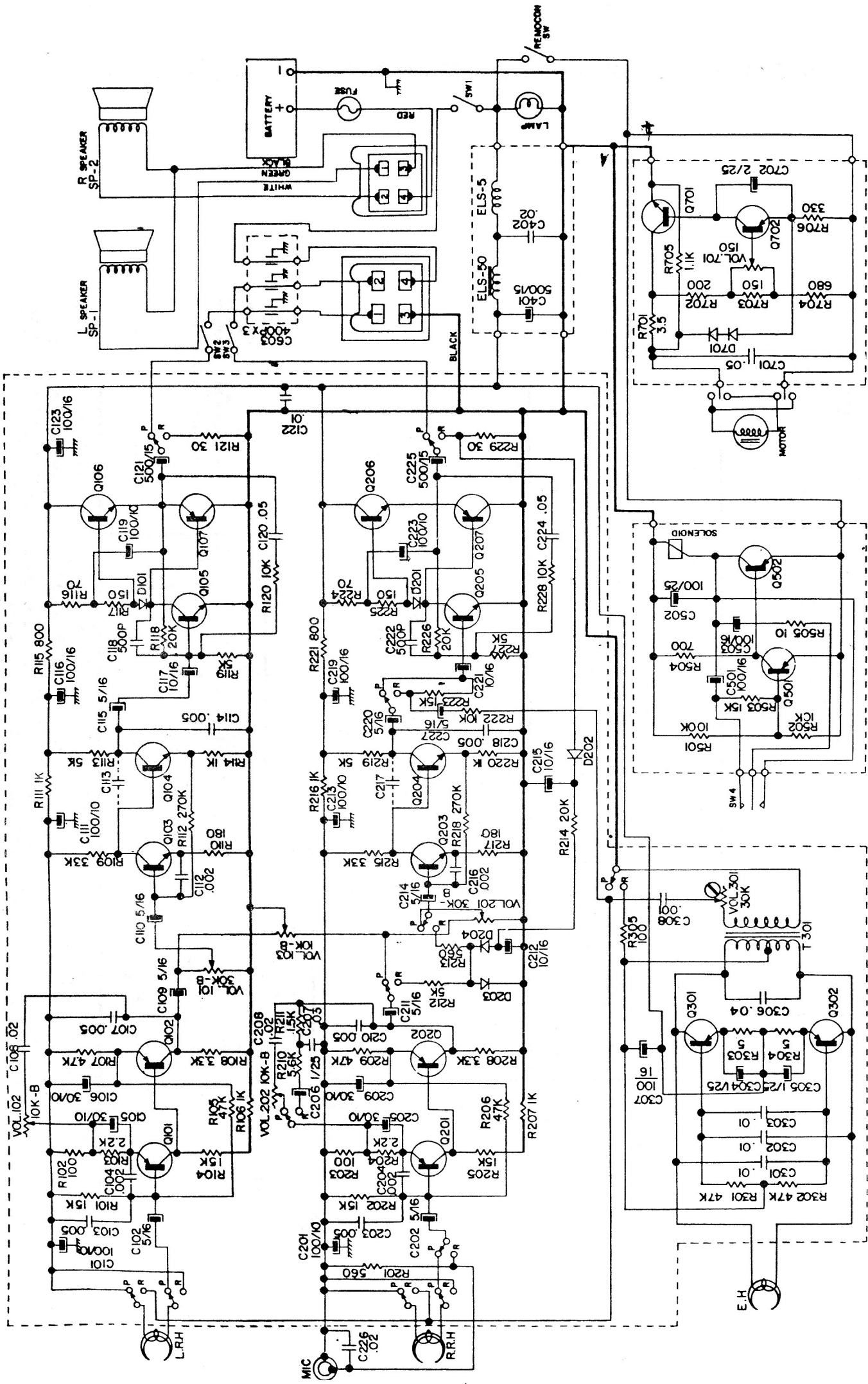


- 0101-04 : 25C1327(S) (rT) Q401, 402 : 25C971-3 D101-103, 105-111 : 15155 (V)  
 0104, 06 : 25K304 (V) Q401, 402 : 25C971-3 D101-103, 105-111 : 15155 (V)  
 0107, 108 : 25C328 (S) (rT) Q401, 402 : 25C971-3 D101-103, 105-111 : 15155 (V)  
 0109, 110 : 25C1327(S) (rT) Q401, 402 : 25C971-3 D101-103, 105-111 : 15155 (V)  
 0113-109 : 25C328 (S) (rT) Q401, 402 : 25C971-3 D101-103, 105-111 : 15155 (V)  
 0130, 131 : 25C1317 (R) IC1, 2 : NE545B D101-103, 105-111 : 15155 (V)  
 0201 : 25C1327(S) (rT) IC3 : 1N60 D101-103, 105-111 : 15155 (V)
- S1 : REC/PLAY SW (PLAY)  
 S2 : REC/PLAY SW (PLAY)  
 S3 : BIAS SELECTOR (NORMAL)  
 S4 : COUNTDOWN MEMORY SW (OFF)  
 S5 : DOLBY N.R. SW (OFF)  
 S6 : PLAY SW (OFF)  
 S7 : AUTO SELECTOR (AUTO)  
 S8 : PAUSE SW (OFF)  
 S9 : PAUSE SW (PLAY)
- S10 : COUNTDOWN SW (OFF)  
 S11 : MUTE SW (ON)  
 S12 : DOLBY FM (OFF)  
 S13 : POWER SW (OFF)  
 S14 : METER SW (VU)  
 S15 : METER SW (VU)  
 S16 : METER SW (VU)  
 S17 : PITCH CONTROL SW (PLAY)



MECCA - MOD. MCC-102X

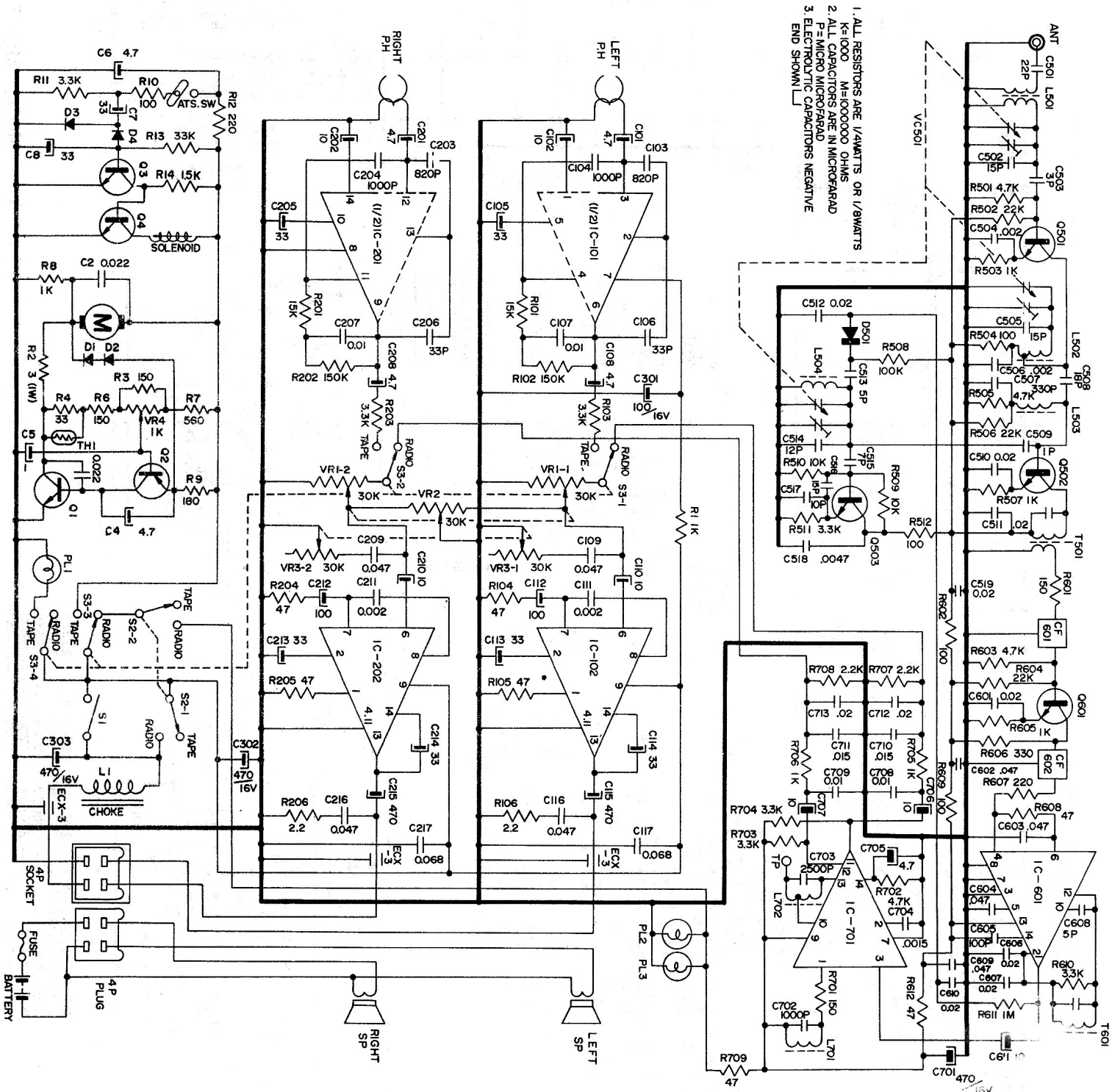




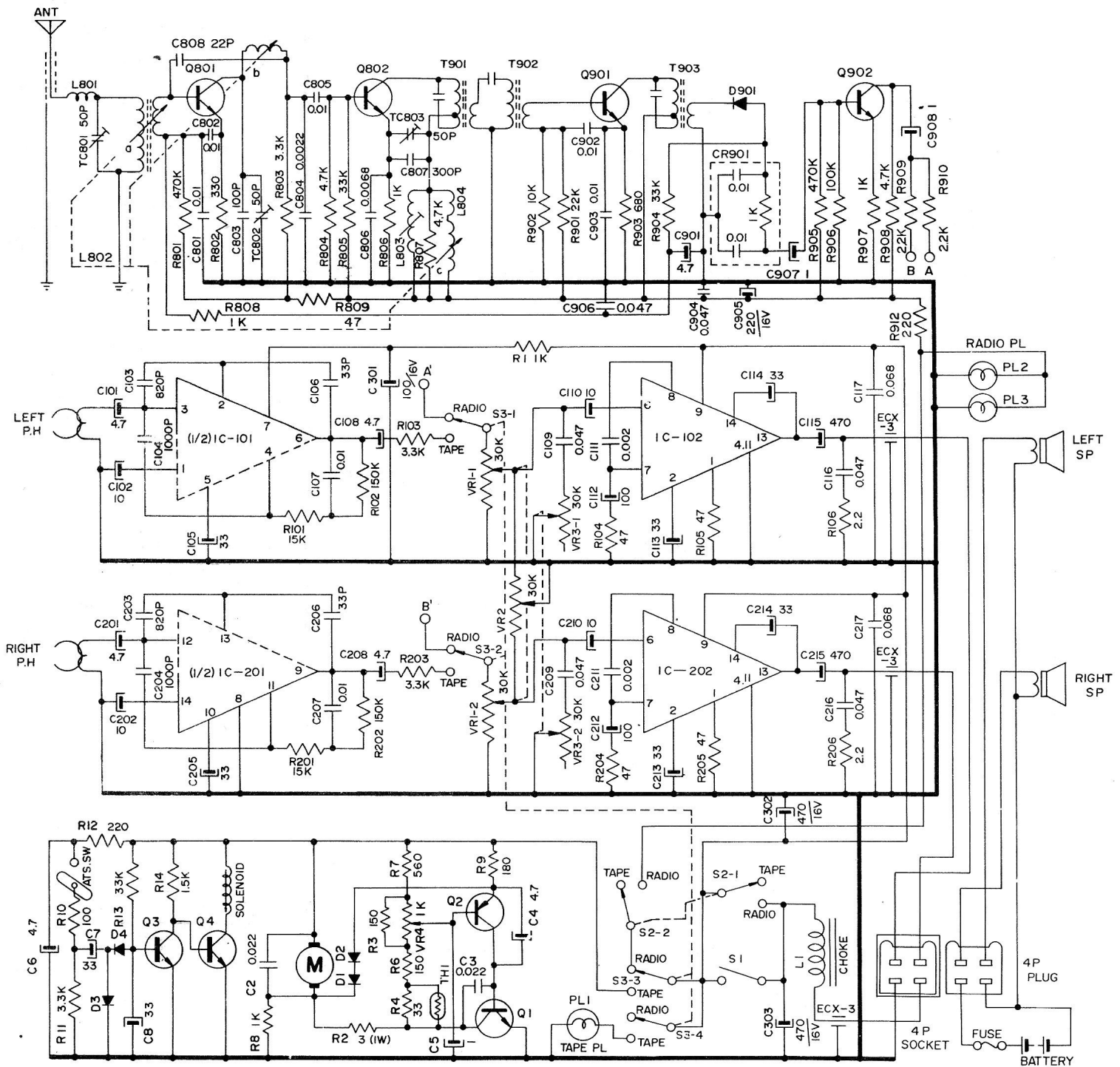
- Q101, Q102, Q201, Q202 ..... 2SB75L
- Q103, Q104, Q203, Q204 ..... 2SC458
- Q105, Q205 ..... CD8000
- Q106, Q206 ..... 2SC491
- Q107, Q207 ..... 2SB463
- Q301, Q302 ..... 2SB77
- Q501 ..... 2SB75
- Q502 ..... 2SB367
- Q701 ..... 2SD141
- Q702 ..... 2SA539

MECCA - MOD. MC-7200

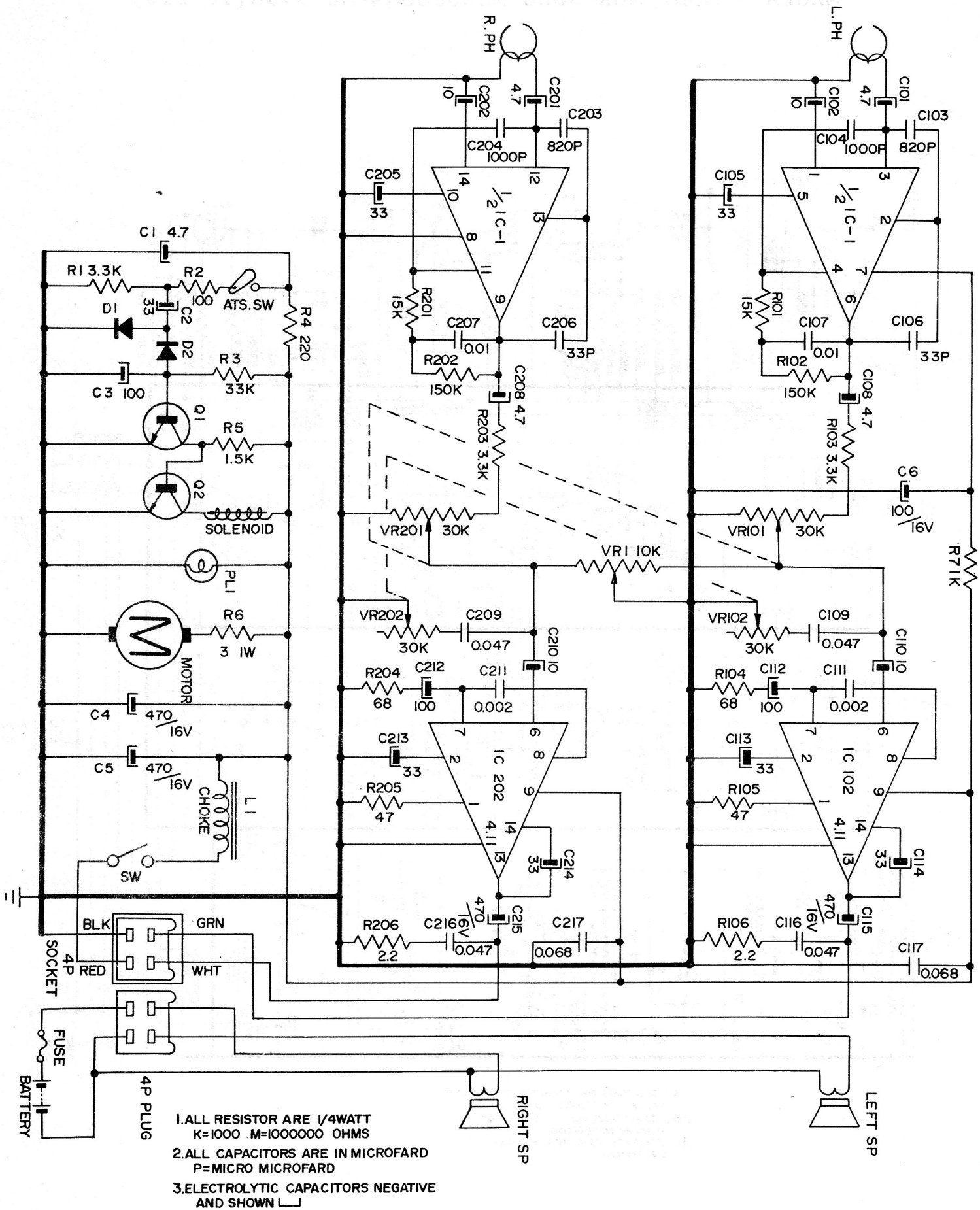
# MECCA - MOD. MCR-5000-MCR5000AM-MC-9450 (IC-215)

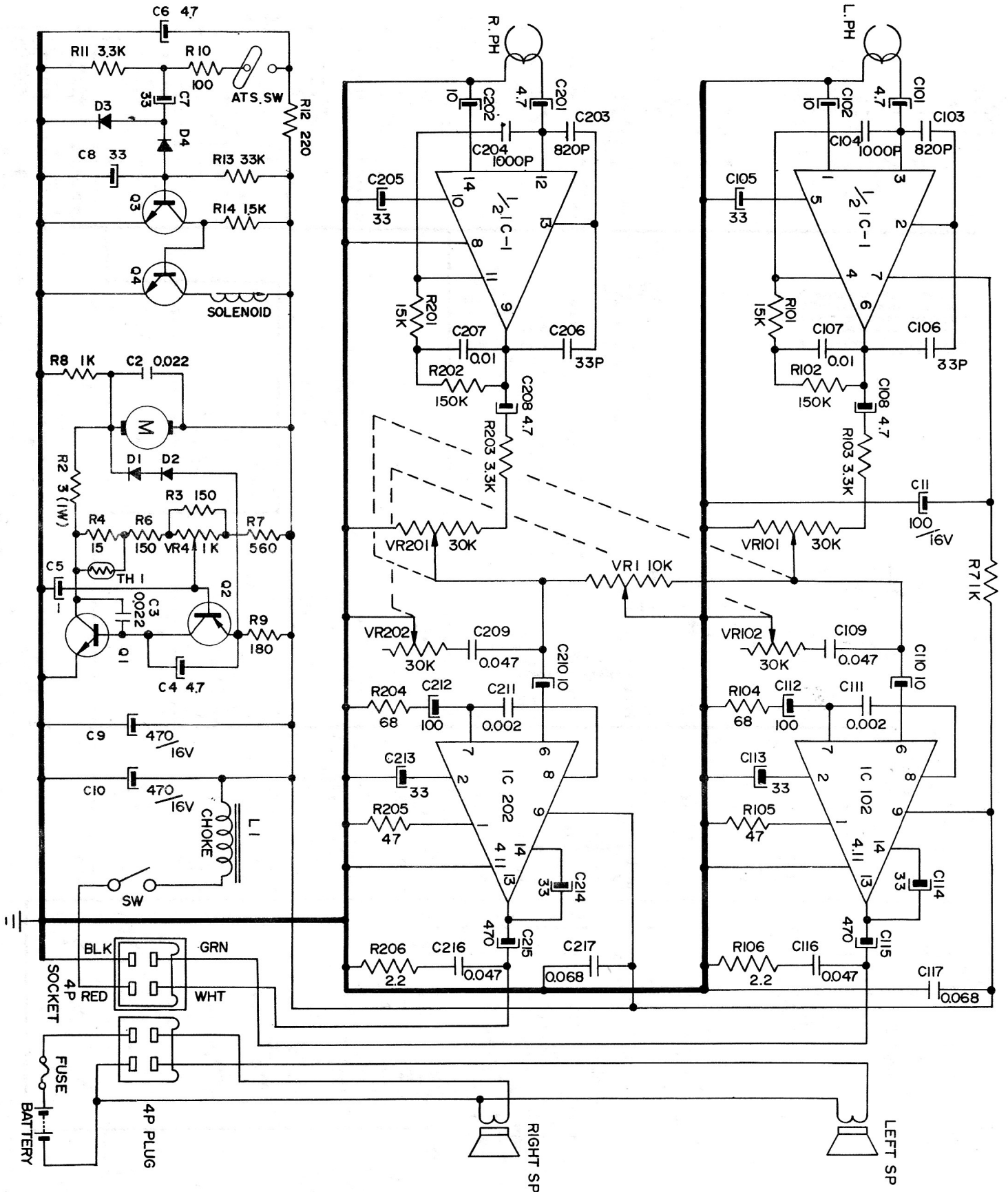


# MECCA - MOD. MCR-5000-MCR5000AM-MC-9450 (IC-215)



1. ALL RESISTORS ARE 1/4WATTS OR 1/8WATTS  
K=1000 M=1000000 OHMS
2. ALL CAPACITORS ARE IN MICROFARAD  
P=MICRO MICROFARAD
3. ELECTROLYTIC CAPACITORS NEGATIVE  
END SHOWN L

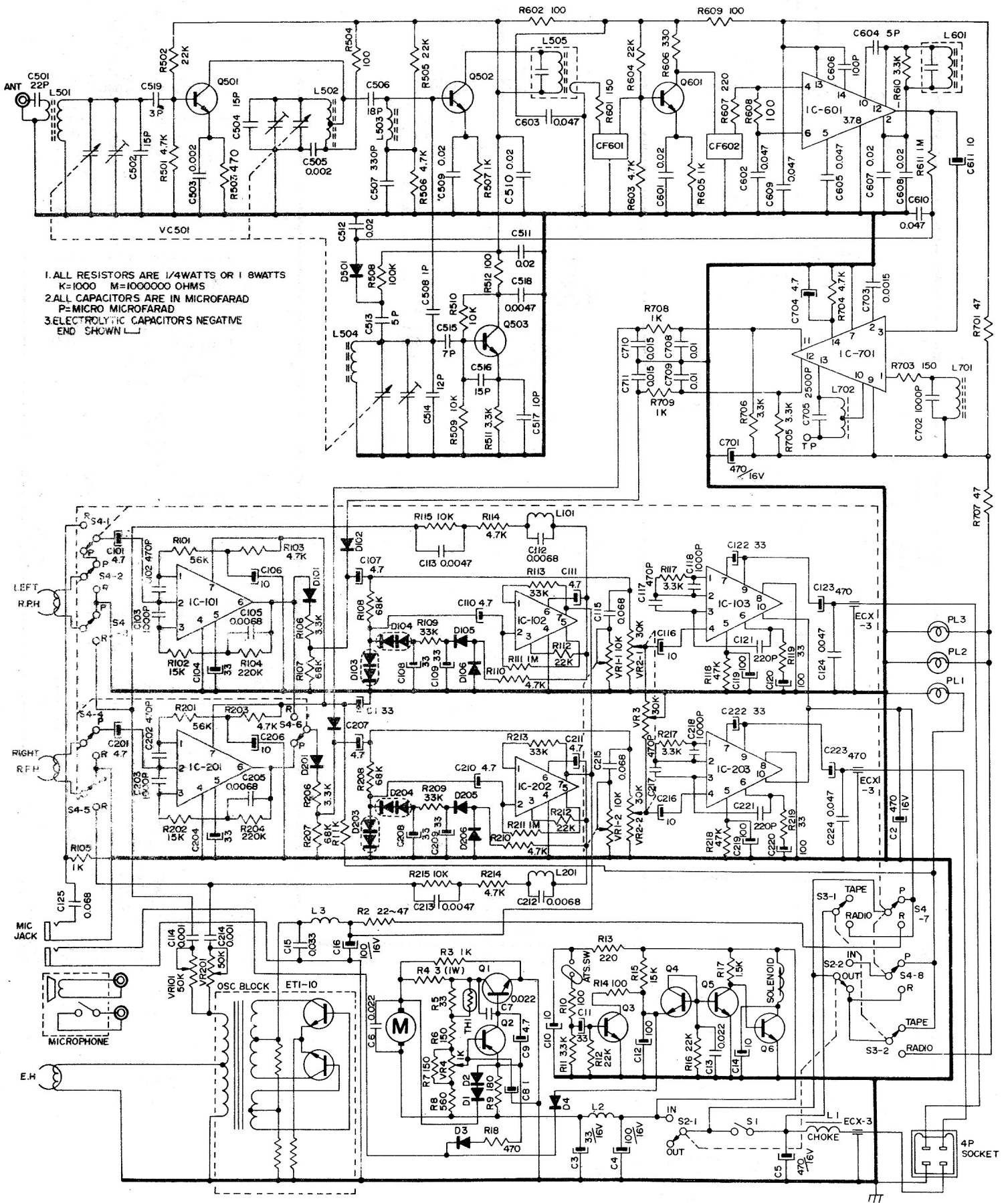




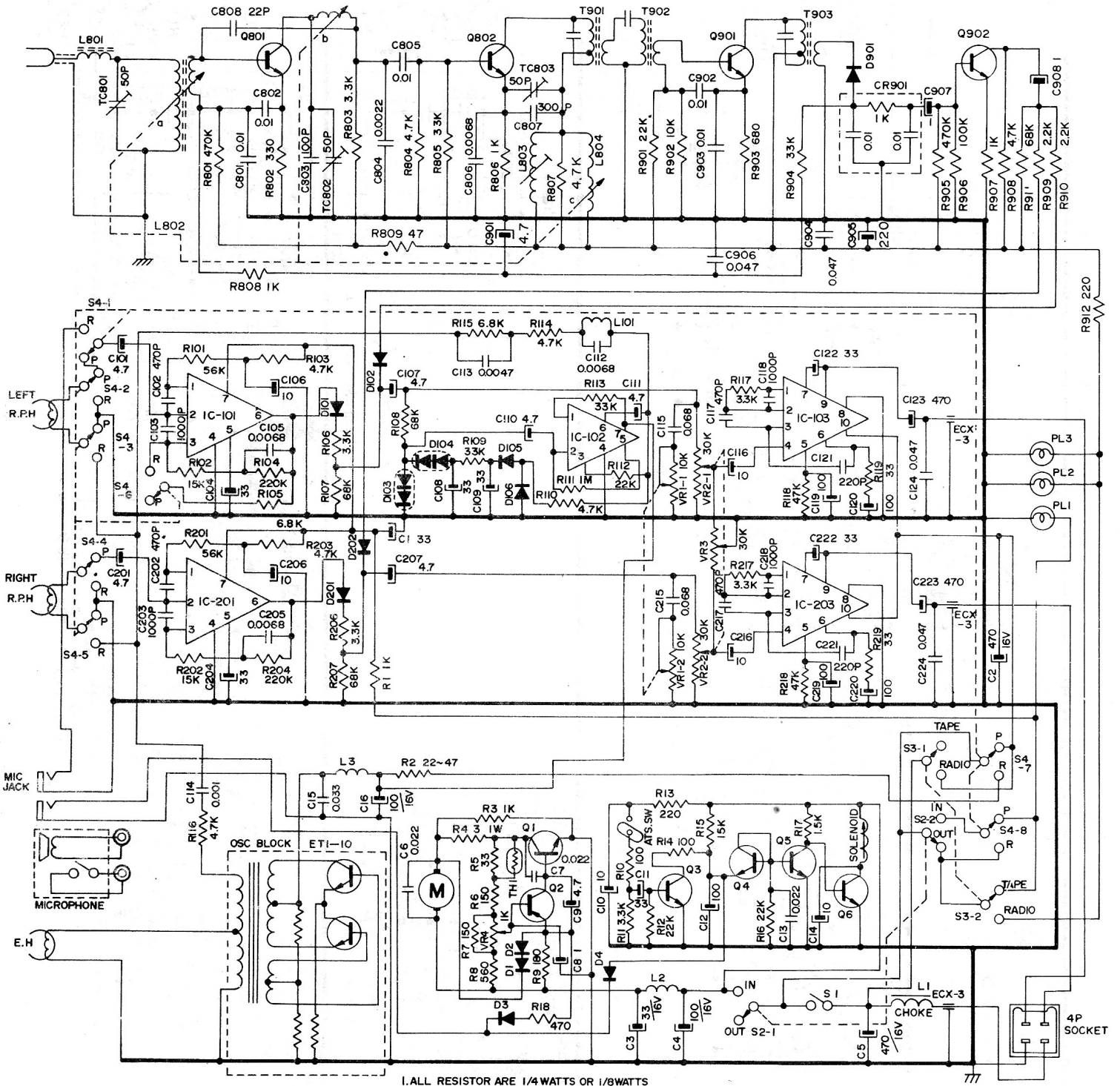
1. ALL RESISTORS ARE 1/4WATTS OR 1/8WATTS  
K=1000 M=1000000 OHMS
2. ALL CAPACITORS ARE IN MICROFARAD  
P=MICRO MICROFARAD
3. ELECTROLYTIC CAPACITORS NEGATIVE  
END SHOWN L



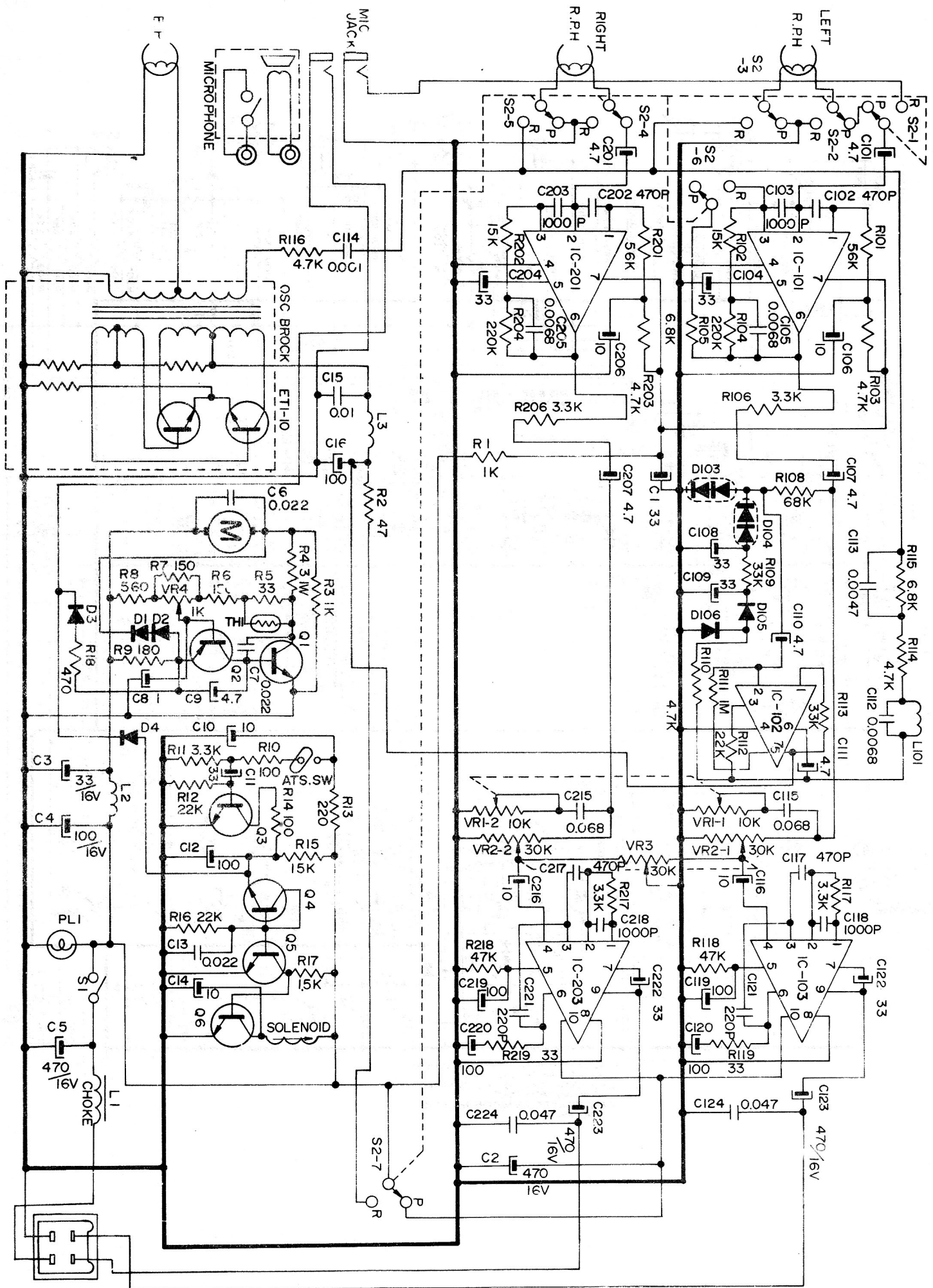
# MECCA - MOD. MCR-6000-MCR-6000AM-MCR-9300 (IC-216R)

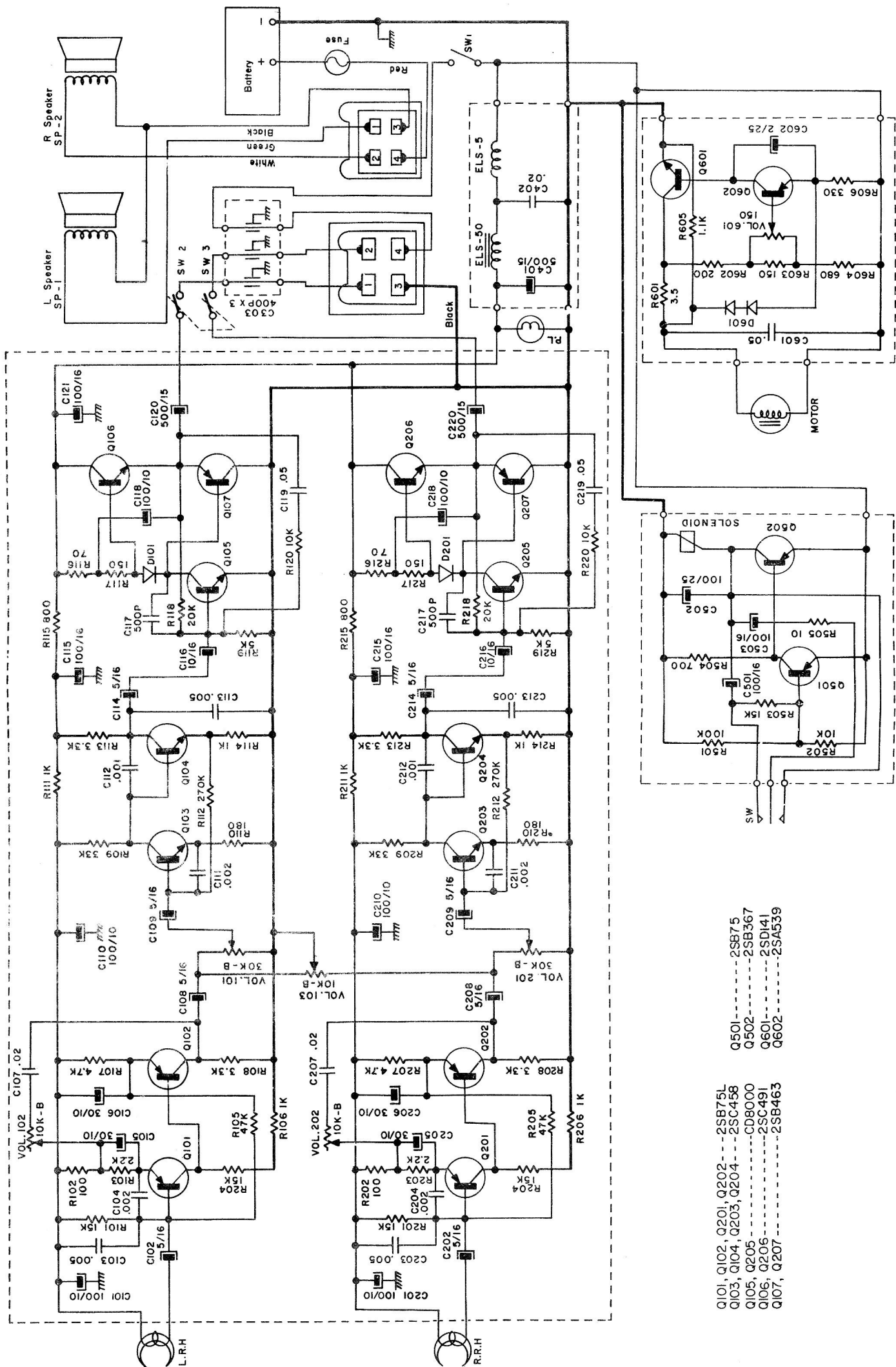


MECCA - MOD. MCR-6000-MCR-6000AM-MCR-9300 (IC-216R)



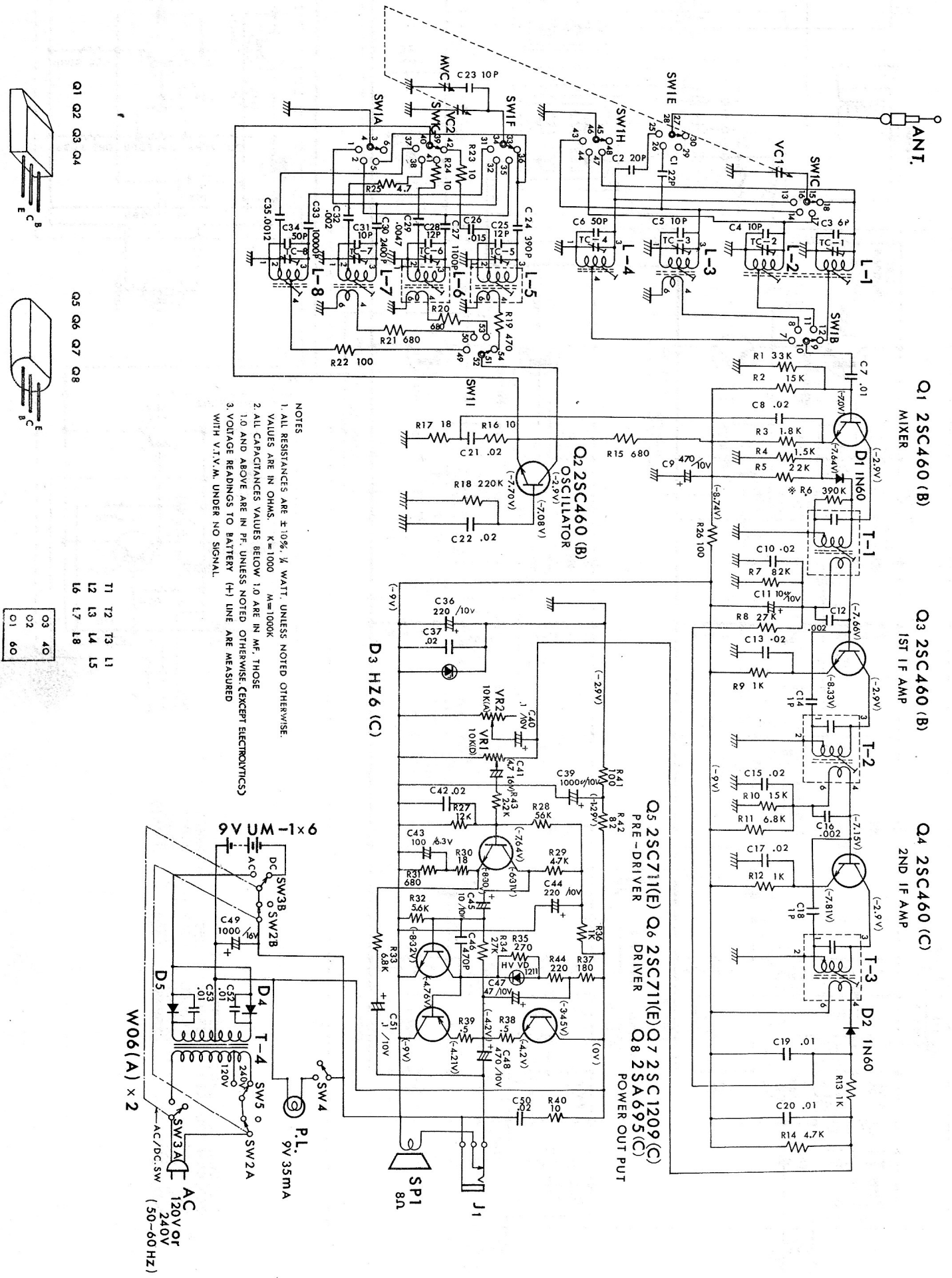
1. ALL RESISTOR ARE 1/4 WATTS OR 1/8 WATTS  
K=1000 M=1000000 OHMS
2. ALL CAPACITORS ARE IN MICROFARAD  
P=MICRO MICROFARAD
3. ELECTROLYTIC CAPACITORS NEGATIVE  
END SHOWN





- Q101, Q102, Q201, Q202 --- 2SB75L
- Q103, Q104, Q203, Q204 --- 2SC458
- Q105, Q205 --- CD8000
- Q106, Q206 --- 2SC491
- Q107, Q207 --- 2SB463
- Q501 --- 2SB75
- Q502 --- 2SB367
- Q601 --- 2SD141
- Q602 --- 2SA539

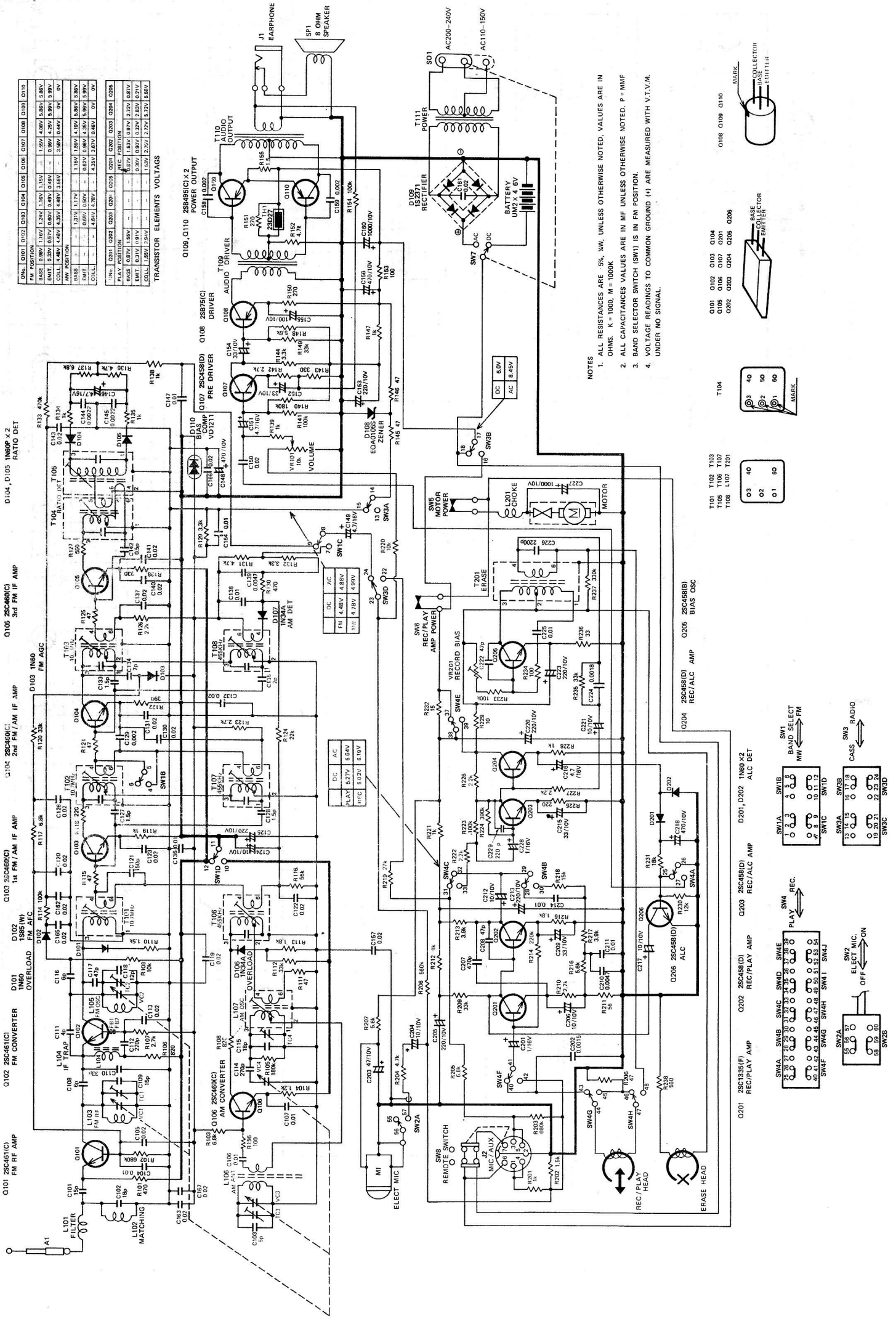
# SILVER - MOD. 4S525



NOTES  
 1. ALL RESISTANCES ARE  $\pm 10\%$ ,  $\frac{1}{2}$  WATT, UNLESS NOTED OTHERWISE.  
 VALUES ARE IN OHMS. K=1000 M=1000K  
 2. ALL CAPACITANCES VALUES BELOW 1.0 ARE IN MF, THOSE  
 1.0 AND ABOVE ARE IN PF, UNLESS NOTED OTHERWISE. (EXCEPT ELECTROLYTICS)  
 3. VOLTAGE READINGS TO BATTERY (+) LINE ARE MEASURED  
 WITH V.T.V.M. UNDER NO SIGNAL.

- Q1 Q2 Q3 Q4
  - Q5 Q6 Q7 Q8
  - T1 T2 T3 L1
  - L2 L3 L4 L5
  - L6 L7 L8
- |    |    |
|----|----|
| Q3 | 40 |
| Q2 |    |
| Q1 | 60 |

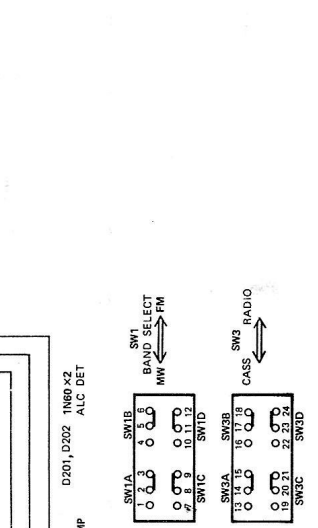
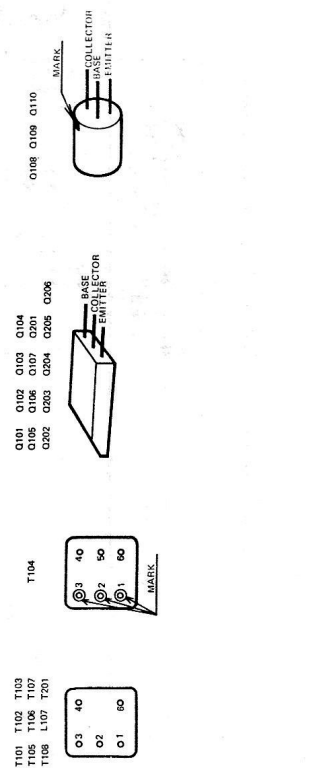
# SILVER - MOD. RT-20E



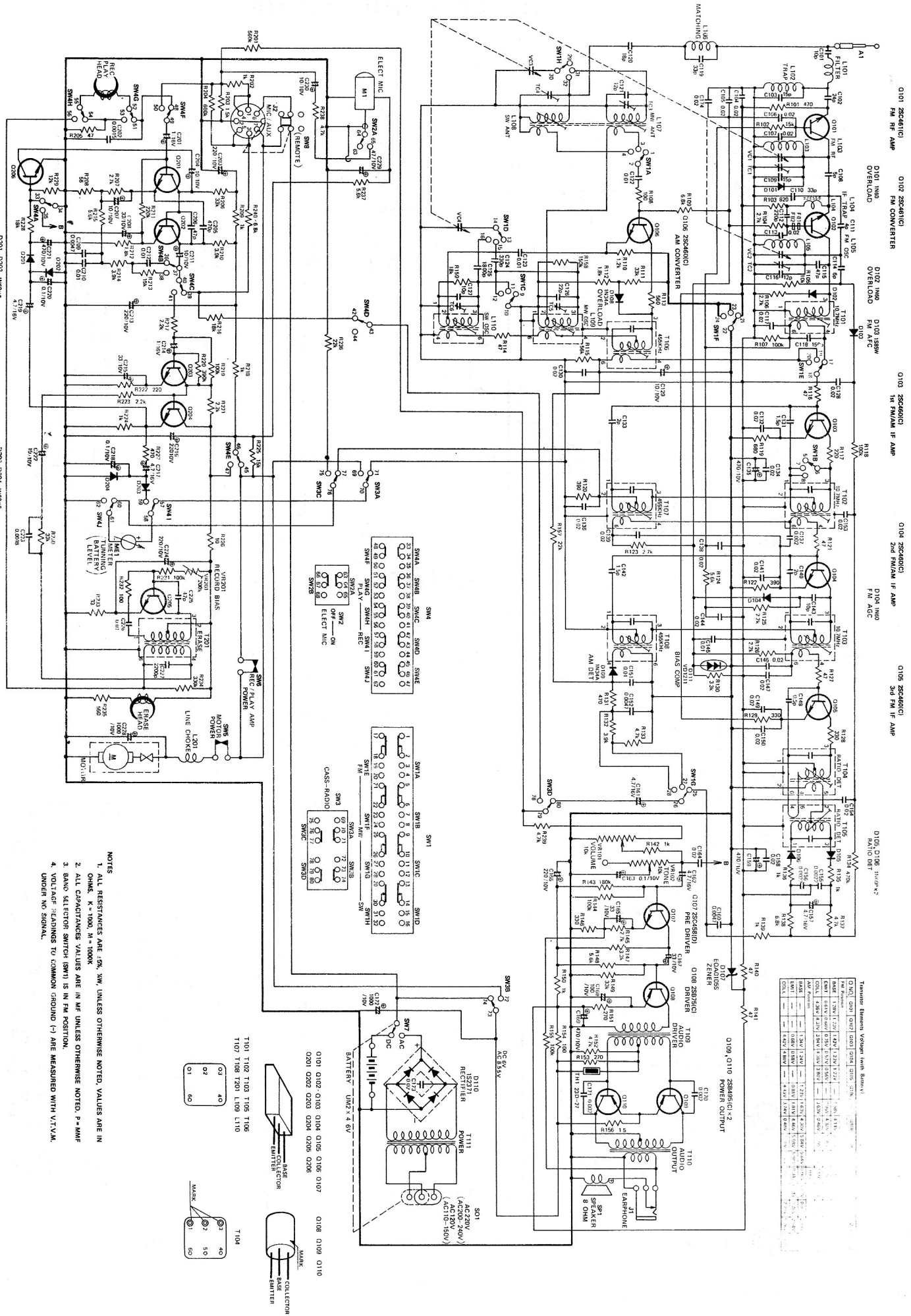
**TRANSISTOR ELEMENTS VOLTAGES**

FM POSITION	Q101	Q102	Q103	Q104	Q105	Q106	Q107	Q108	Q109	Q110	Q111
BASE	0.88V	1.16V	1.24V	1.16V	1.15V	1.50V	4.88V	0.86V	0.86V	0.86V	0.86V
EMITTER	0.23V	0.67V	0.60V	0.80V	0.80V	0.80V	4.20V	0.90V	0.90V	0.90V	0.90V
COLLECTOR	4.48V	4.85V	4.50V	4.85V	4.85V	4.85V	3.58V	0.44V	0.44V	0.44V	0.44V
DC VOLTAGE	0.88V	1.16V	1.24V	1.16V	1.15V	1.50V	4.88V	0.86V	0.86V	0.86V	0.86V
AC VOLTAGE	0.13V	0.17V	0.17V	0.17V	0.17V	0.17V	0.17V	0.17V	0.17V	0.17V	0.17V
DC CURRENT	0.002	0.002	0.002	0.002	0.002	0.002	0.002	0.002	0.002	0.002	0.002
AC CURRENT	0.002	0.002	0.002	0.002	0.002	0.002	0.002	0.002	0.002	0.002	0.002

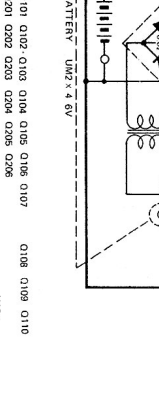
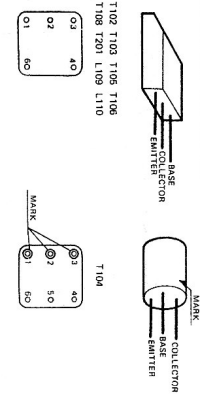
- NOTES**
1. ALL RESISTANCES ARE  $\pm 5\%$  UNLESS OTHERWISE NOTED. VALUES ARE IN OHMS. K = 1000, M = 1000K.
  2. ALL CAPACITANCES VALUES ARE IN MF UNLESS OTHERWISE NOTED. P = NMF.
  3. BAND SELECTOR SWITCH (SW1) IS IN FM POSITION.
  4. VOLTAGE READINGS TO COMMON GROUND (H) ARE MEASURED WITH V.T.V.M. UNDER NO SIGNAL.



# SILVER - MOD. RT-30E



- NOTES
1. ALL RESISTANCES ARE 1/8W, UNLESS OTHERWISE NOTED. VALUES ARE IN OHMS, K = 1000, M = 1000K.
  2. ALL CAPACITANCES VALUES ARE IN MF UNLESS OTHERWISE NOTED. P = MMF.
  3. BAND SELECTOR SWITCH (SW1) IS IN FM POSITION.
  4. VOLTAGE READINGS TO COMMON GROUND (-) ARE MEASURED WITH V.T.V.M. UNDER NO SIGNAL.

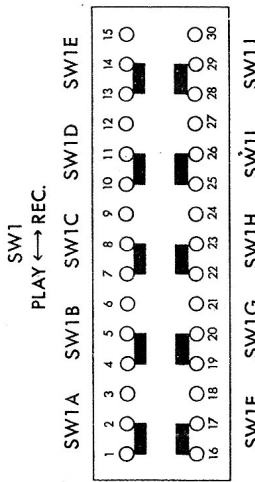
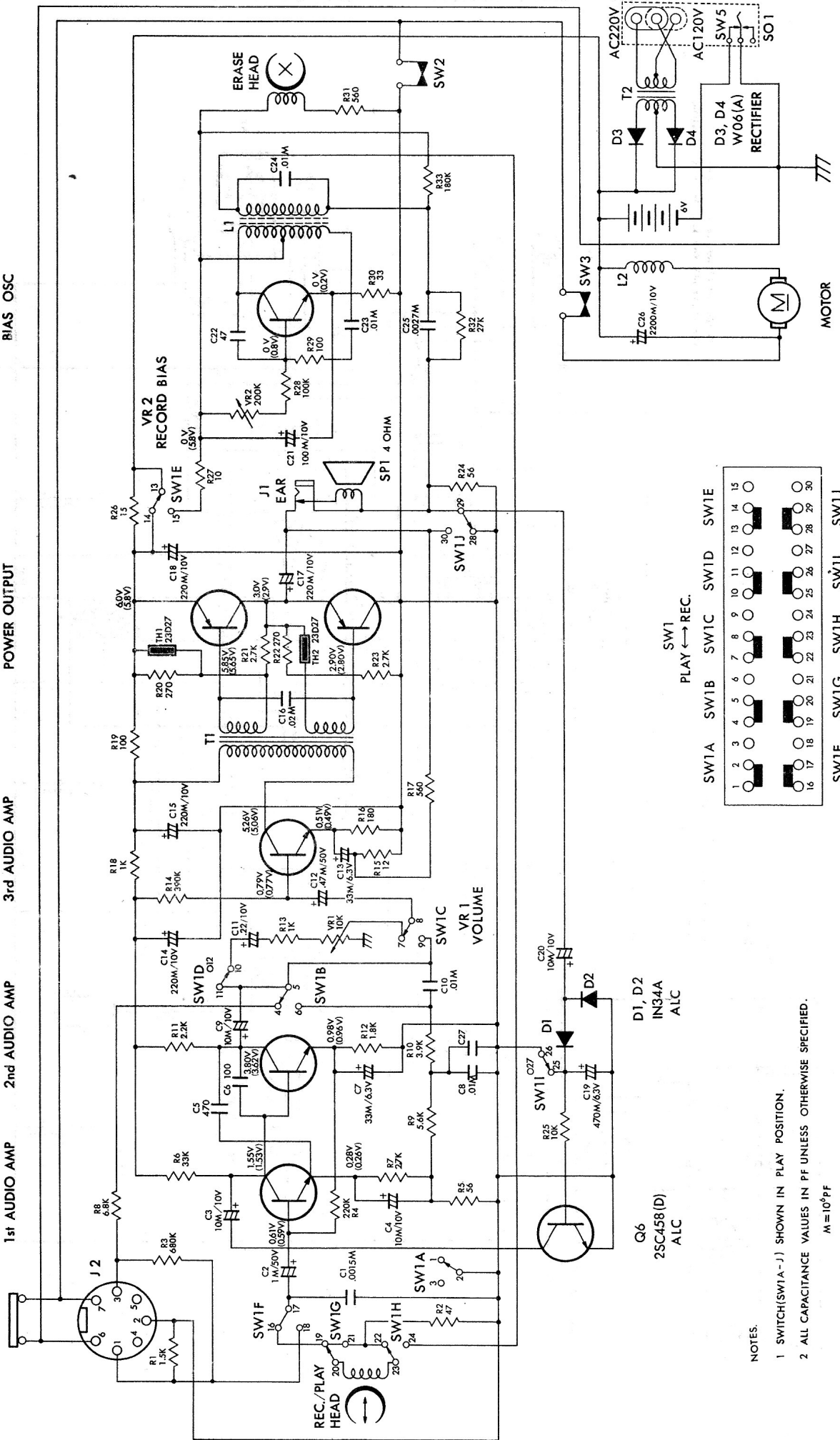


Transformer Element Voltages (with Service)

Element	0V-100V	0V-200V	0V-300V	0V-400V	0V-500V	0V-600V	0V-700V	0V-800V	0V-900V	0V-1000V
Primary	1.00	2.00	3.00	4.00	5.00	6.00	7.00	8.00	9.00	10.00
Secondary	0.10	0.20	0.30	0.40	0.50	0.60	0.70	0.80	0.90	1.00
Primary	1.00	2.00	3.00	4.00	5.00	6.00	7.00	8.00	9.00	10.00
Secondary	0.10	0.20	0.30	0.40	0.50	0.60	0.70	0.80	0.90	1.00

# SILVER - MOD. TX10

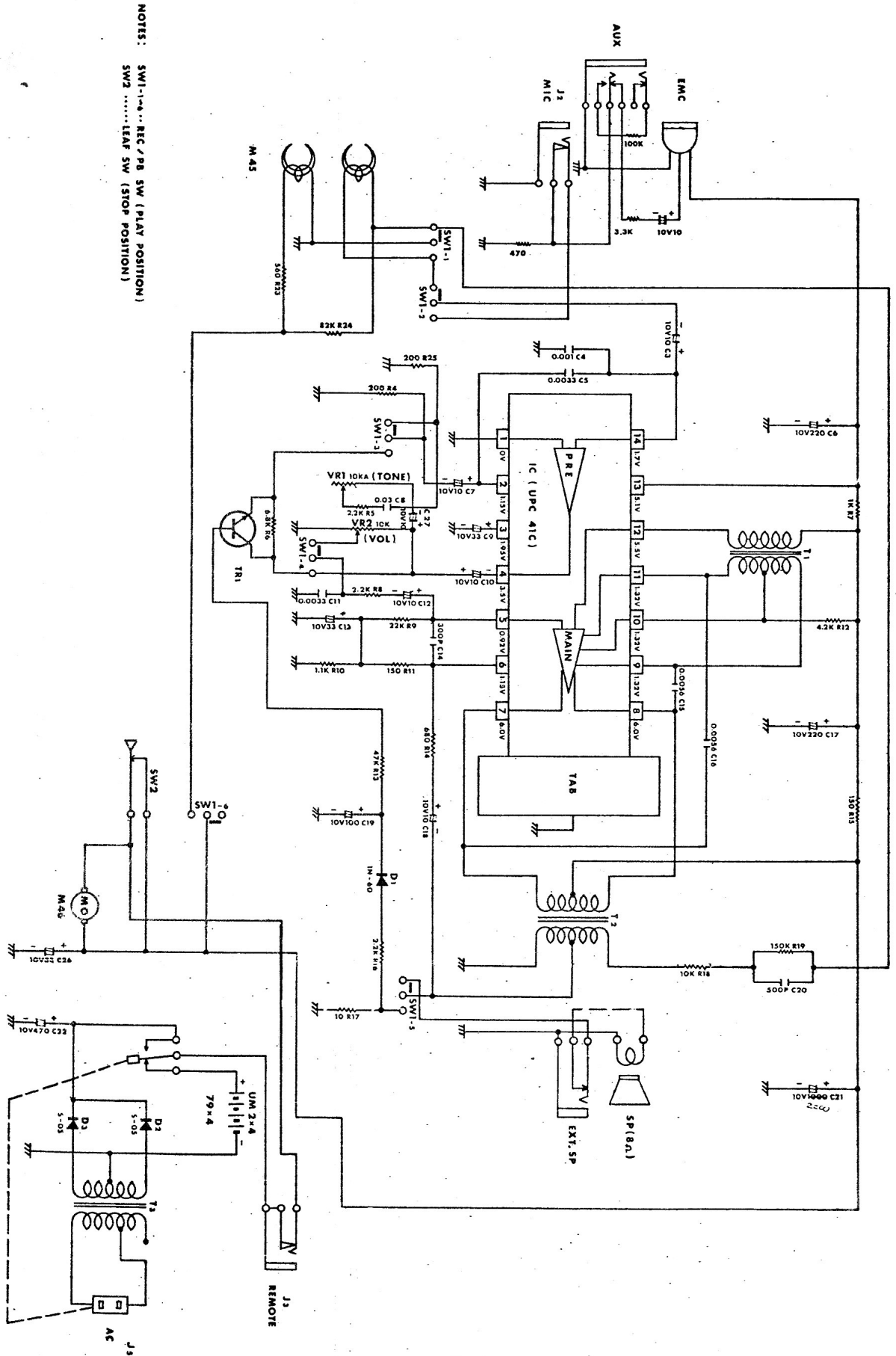
Q1 25C458(D) 1st AUDIO AMP  
 Q2 25C458(D) 2nd AUDIO AMP  
 Q3 25C458(D) 3rd AUDIO AMP  
 Q4 Q5 25B370(B) x 2 POWER OUTPUT  
 Q7 25C458(B) BIAS OSC

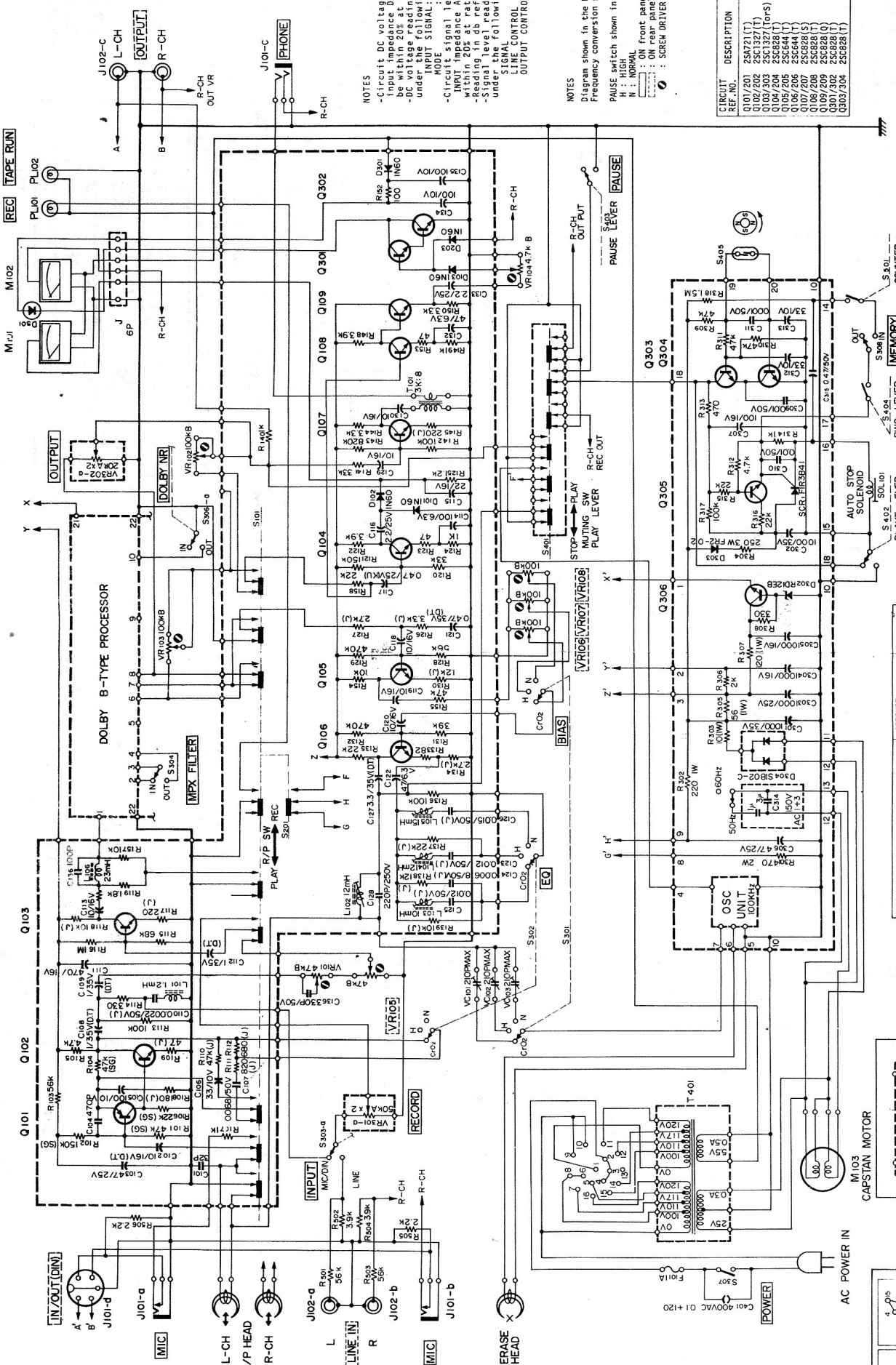


- NOTES:
- 1 SWITCH(SW1A-J) SHOWN IN PLAY POSITION.
  - 2 ALL CAPACITANCE VALUES IN PF UNLESS OTHERWISE SPECIFIED.
  - 3 ALL RESISTANCE VALUES IN OHM OTHERWISE SPECIFIED.
  - 4 C27: 0-001MF
  - 5 VOLTAGES WITH ( ) ARE MEASURED IN "REC." POSITION.



# CCE - SUPERSONIC - MOD. CT-9500





**NOTES**

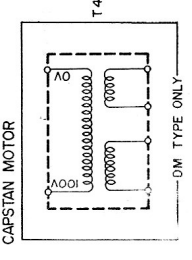
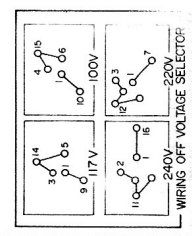
-Circuit DC voltage obtains with high input impedance DC VTVM and should be within 20% of stated line voltage. DC voltage obtained with the metered under the following conditions:  
 INPUT SIGNAL: NONE  
 MODE : STEREO RECORD  
 -Circuit signal level obtain with high input impedance VTVM and should be within 20% of stated line voltage. Reading in db reference to 0.775V. -Signal level reading were obtained under the following conditions  
 SIGNAL CONTROL : GAIN REFERENCE LEVEL  
 OUTPUT CONTROL : REFERENCE LEVEL

**NOTES**

Diagram shown in the PLAYBACK mode. Frequency conversion switch shown in the 50Hz position. PAUSE switch shown in the OFF position.  
 H : HIGH  
 N : NORMAL  
 L : ON rear panel.  
 O : SCREEN DRIVER ADJ.

CIRCUIT REF. NO.	DESCRIPTION	CIRCUIT REF. NO.	DESCRIPTION
Q101/201	28A72(T)	Q305	25C828(T)
Q102/202	300(T)	Q306	25C137(R)
Q103/303	25C137(T)	D101/201	1N60
Q104/204	25C828(T)	D103/203	1N60
Q105/205	25C644(T)	D104/204	1N60
Q106/206	25C644(T)	D105/205	1N60
Q107/207	25C828(T)	R01/2E8	
Q108/208	25C828(T)	R02/2E8	
Q109/209	25C828(T)	Q301/302	25C828(T)
Q303/304	25C828(T)	SCR-1	FIR3B41

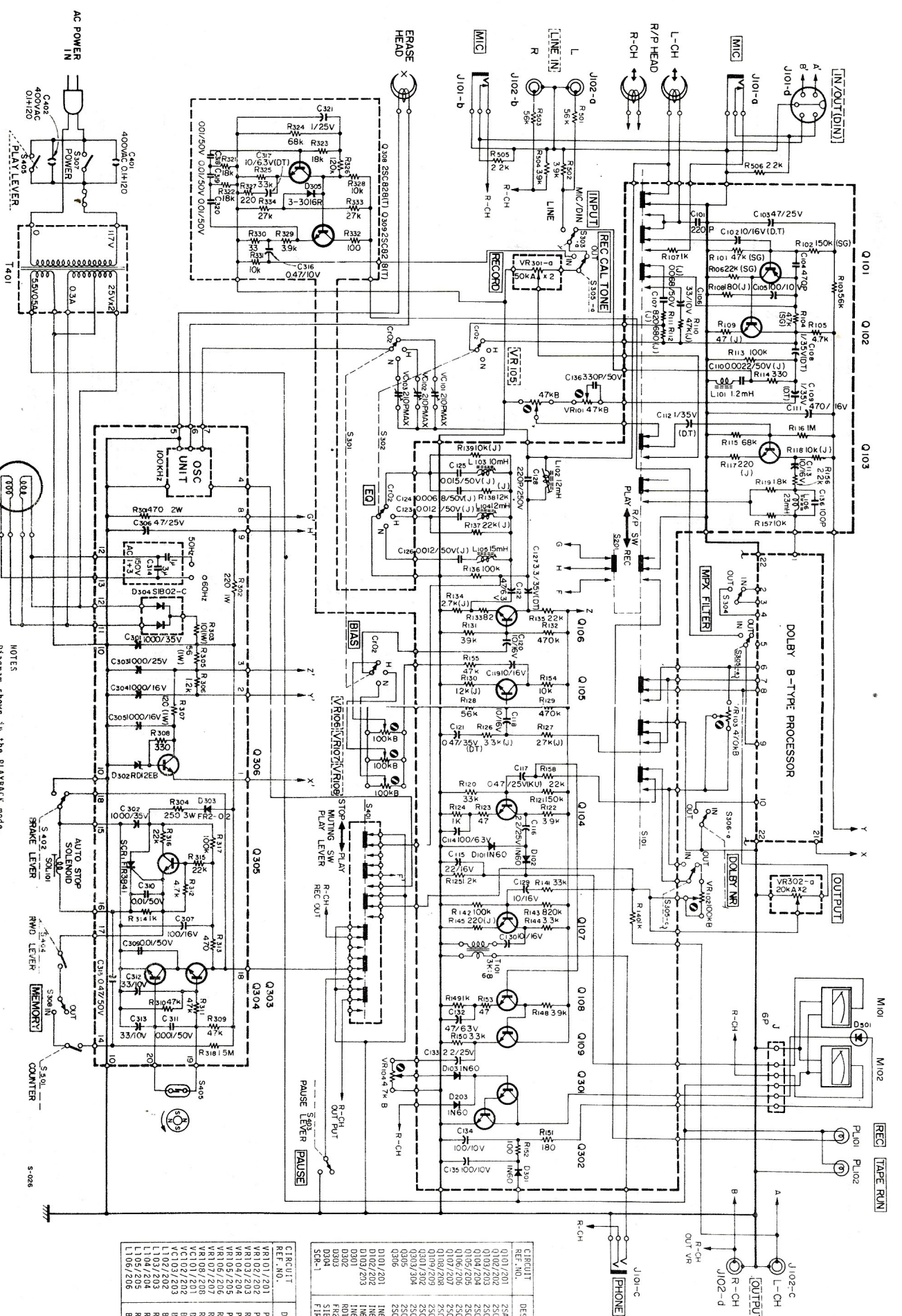
CIRCUIT REF. NO.	DESCRIPTION	CIRCUIT REF. NO.	DESCRIPTION
VR101/201	PLAYBACK EQ ADJ.	VR101/201	BIAS ADJ (C-02)
VR102/202	PLAYBACK METER LEVEL ADJ.	VR102/202	BIAS ADJ (NORMAL)
VR103/203	PLAYBACK METER LEVEL ADJ.	VR103/203	BIAS ADJ (NORMAL)
VR104/204	PLAYBACK METER LEVEL ADJ.	L102/203	REC EQ (C-02)
VR105/205	PLAYBACK METER LEVEL ADJ.	L103/203	REC EQ (C-02)
VR106/206	REC LEVEL ADJ (C-02)	L104/204	REC EQ (HIGH)
VR107/207	REC LEVEL ADJ (HIGH)	L105/205	REC EQ (NORMAL)
VR108/208	REC LEVEL ADJ (NORMAL)		



STEREO CASSETTE DECK  
 MODEL NO. A-360  
 SHEET NO. 1

REVISION	DATE	CHANGE NO.
1	9 73	1

TEAC CORPORATION  
 A 010



NOTES  
 Diagram shown in the PLAYBACK mode.  
 Frequency conversion switch shown in the 50Hz  
 PAUSE switch shown in the OFF position.  
 H: HIGH  
 N: NORMAL  
 L: LOW  
 : ON front panel.  
 : ON rear panel.  
 : SCREEN DRIVER Adj.

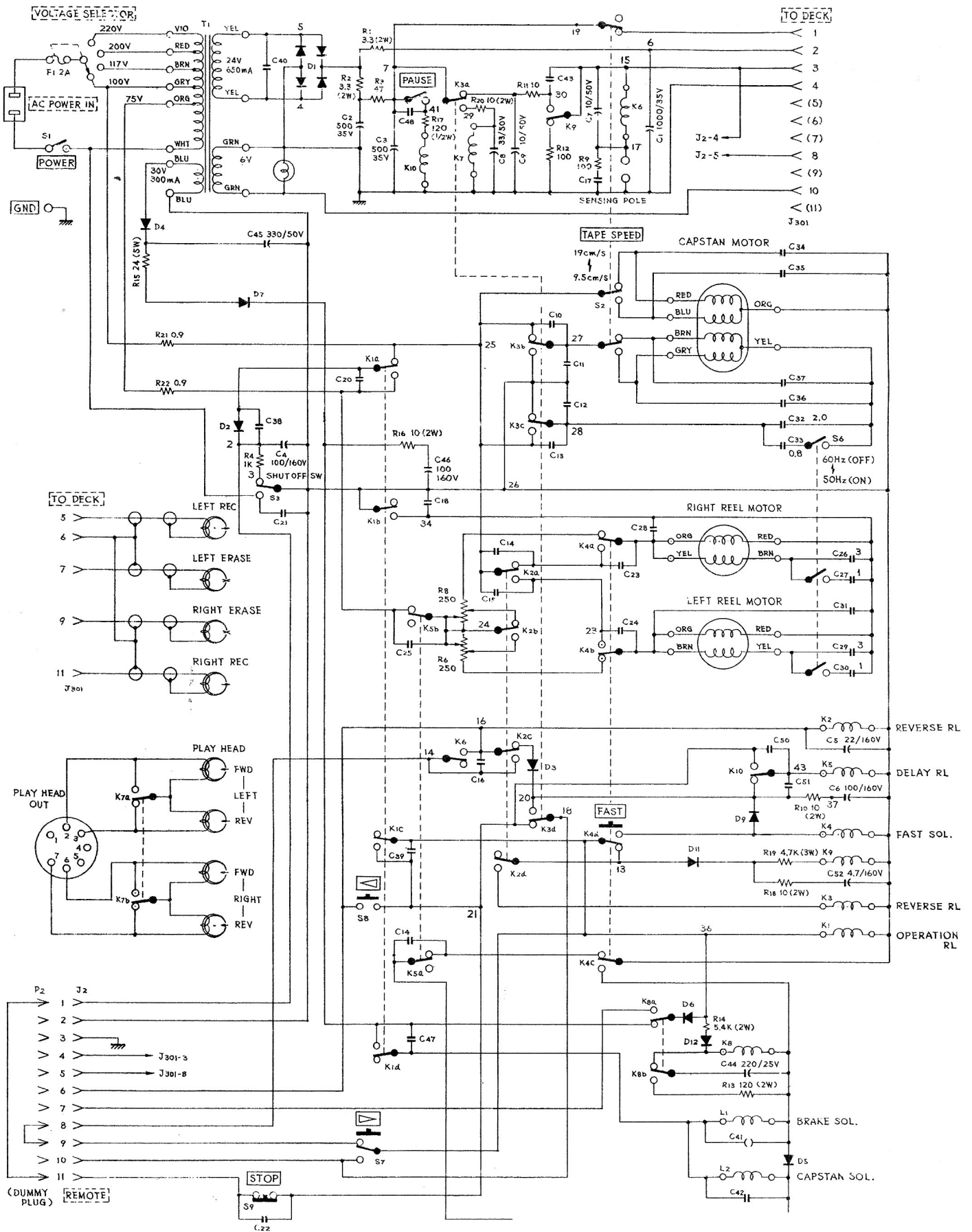
5-066

REVISION	DATE	CHANGE NO.
1	8 73	
2		
3		
4		
5		
6		

STEREO CASSETTE DECK  
 MODEL NO. TEAC 980S  
 SHEET NO. 1

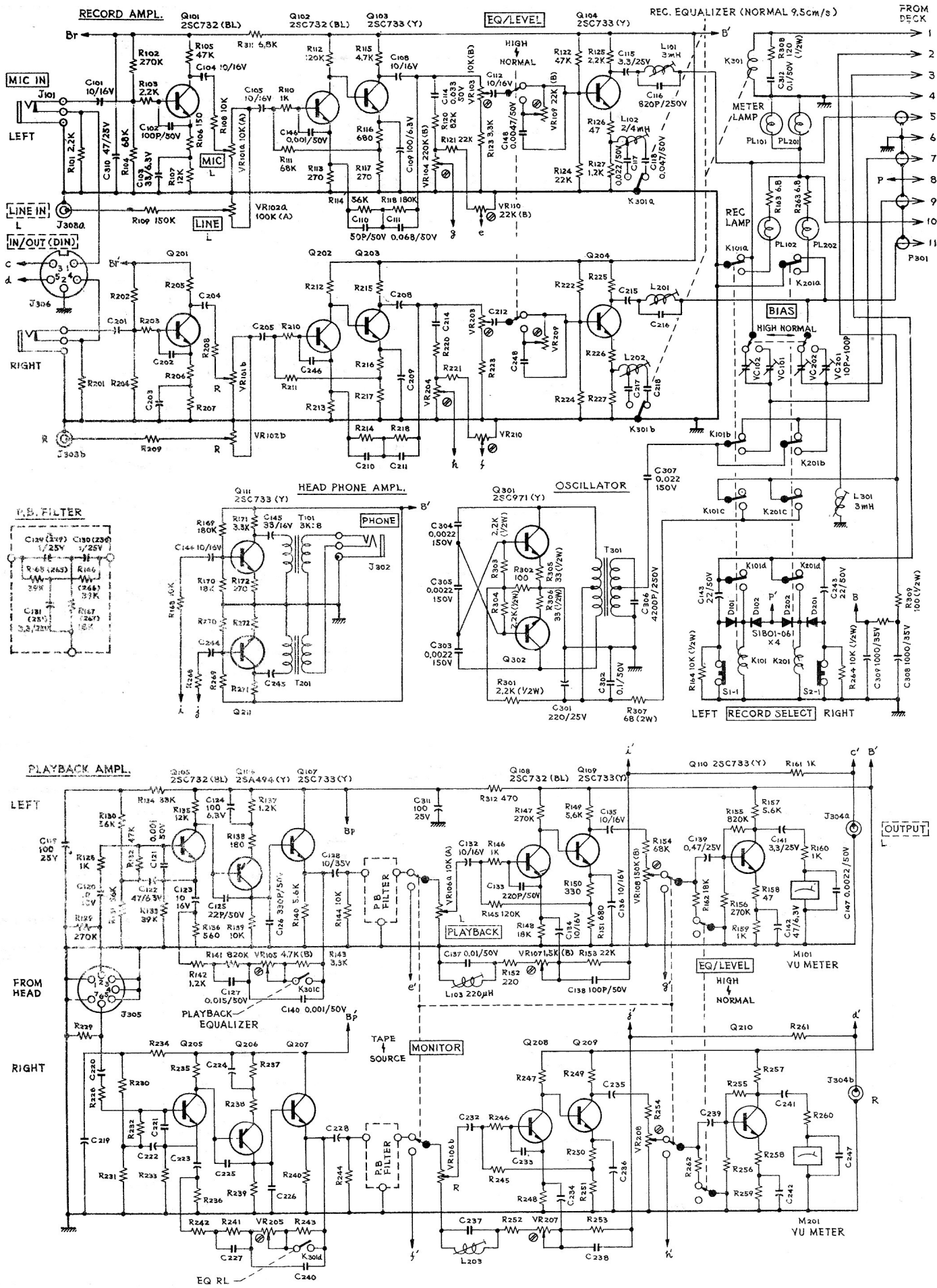
CIRCUIT REF. NO.	DESCRIPTION
VR101/201	PLAYBACK EQ ADJ
VR102/202	PLAYBACK METER LEVEL ADJ
VR103/203	RECORD METER LEVEL ADJ
VR104/204	PLAYBACK METER LEVEL ADJ
VR105/205	REC LEVEL ADJ (HIGH)
VR106/206	REC LEVEL ADJ (NORMAL)
VR107/207	REC LEVEL ADJ (LOW)
VR108/208	BIAS ADJ (NORMAL)
VR109/209	BIAS ADJ (HIGH)
VR110/210	BIAS ADJ (LOW)
VR111/211	REC EQ (C*02)
VR112/212	REC EQ (H*04)
VR113/213	REC EQ (H*04)
VR114/214	BIAS TRAP
VR115/215	BIAS TRAP

CIRCUIT REF. NO.	DESCRIPTION
Q101/201	25A721(T)
Q102/202	25C132(T)
Q103/203	25C132(T) or (S)
Q104/204	25C282(T)
Q105/205	25C644(T)
Q106/206	25C628(S)
Q107/207	25C628(S)
Q108/208	25C628(T)
Q109/209	25C628(T)
Q110/210	25C628(T)
Q111/211	25C628(T)
Q112/212	25C628(T)
Q113/213	25C132(T)
Q114/214	1N60
Q115/215	1N60
Q116/216	1N60
Q117/217	1N60
Q118/218	1N60
Q119/219	1N60
Q120/220	1N60



6		
5		
4		
3		
2		
1	5-72	
REVISION	DATE	CHANGE NO.

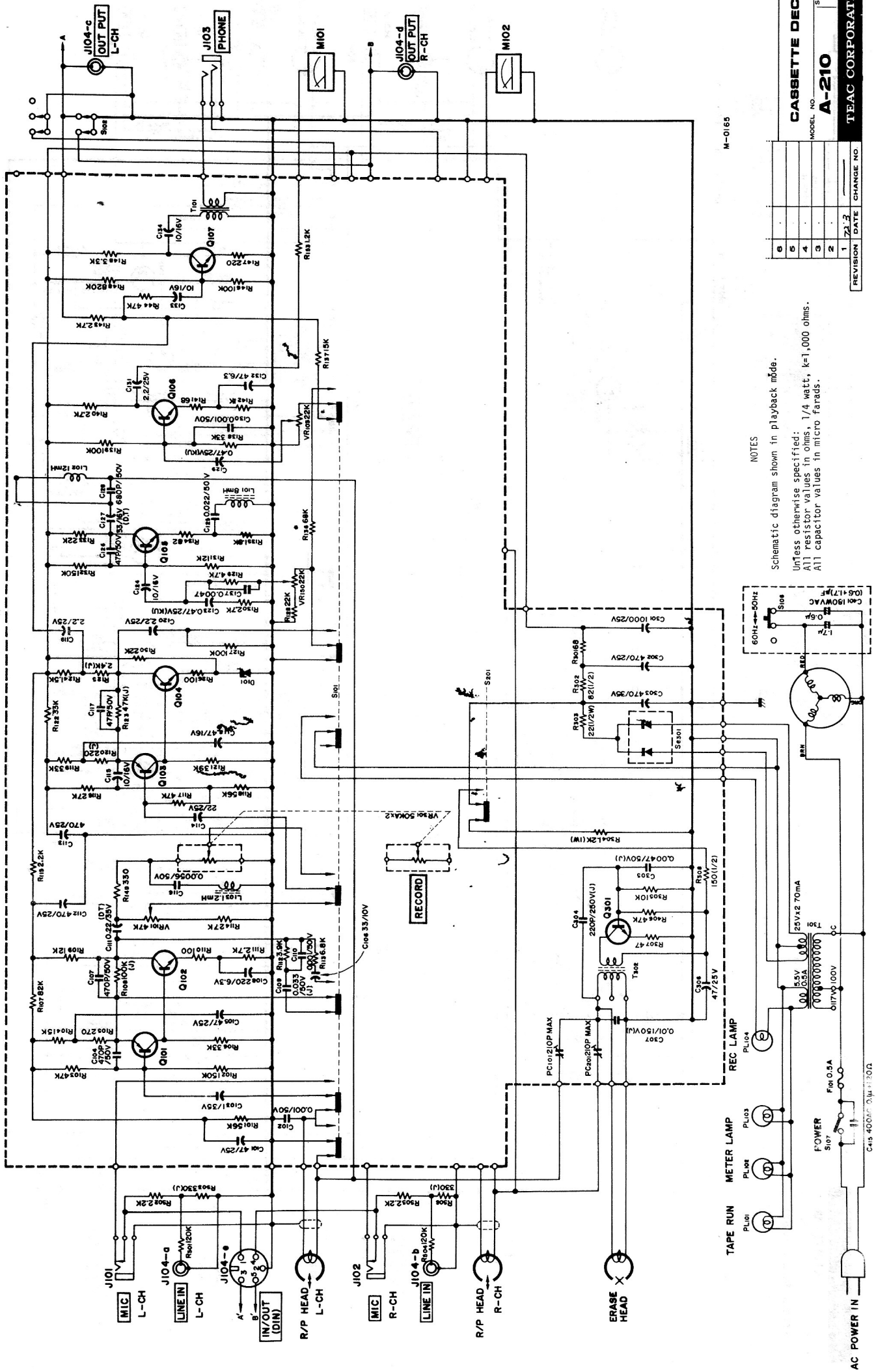
**STEREO TAPE DECK**  
**TAPE TRANSPORT**  
 MODEL NO. **A-4010GSL** SHEET NO. **1**  
**TEAC CORPORATION**



6		
5		
4		
3		
2		
1	5-72	
REVISION DATE		CHANGE NO.

**STEREO TAPE DECK**  
**RECORD/PLAYBACK AMPLIFIER**  
 MODEL NO. **A-4010GSL**  
 SHEET NO. **TEAC CORPORATION**

A.0101



M-0165

NOTES

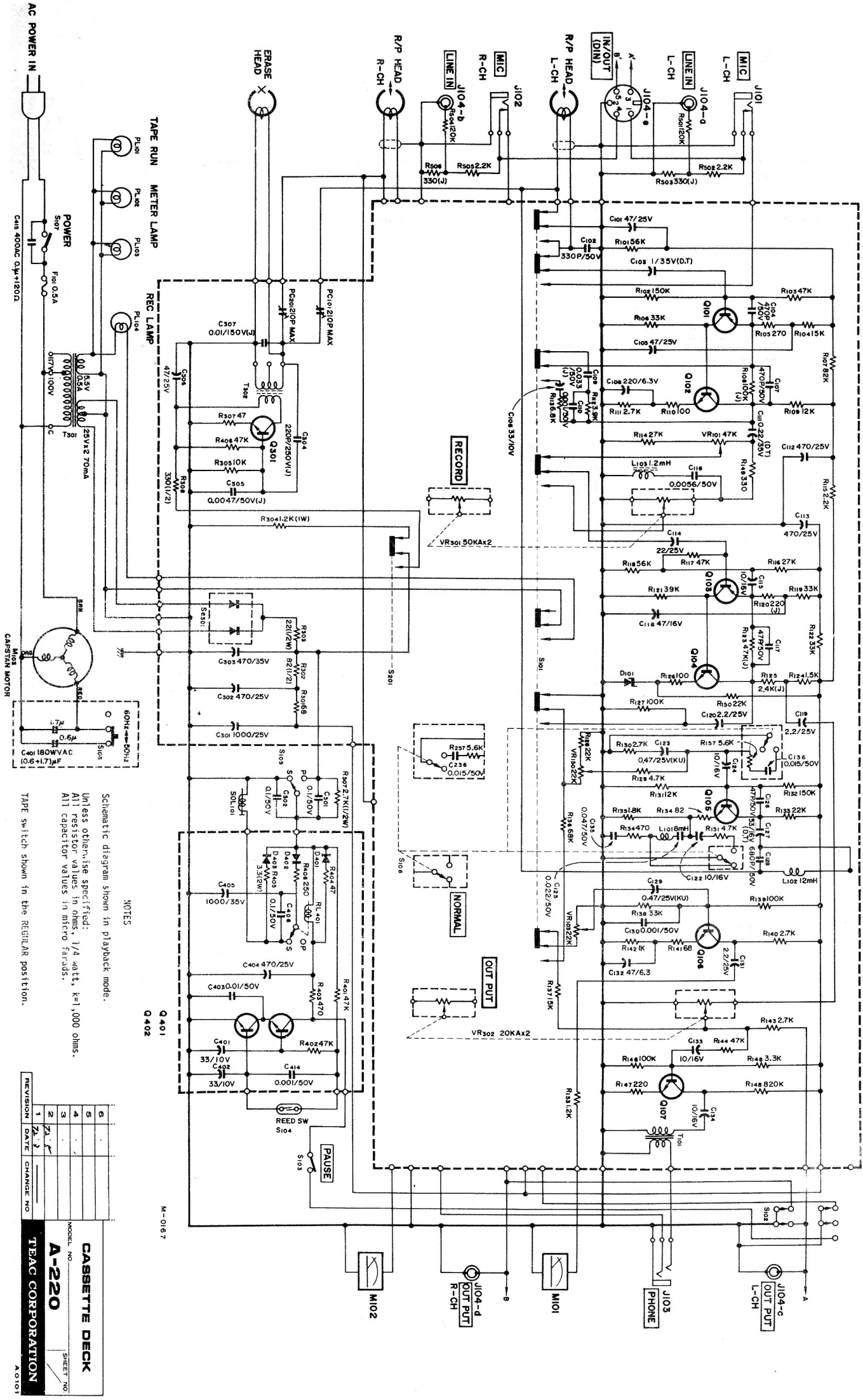
Schematic diagram shown in playback mode.  
 Unless otherwise specified:  
 All resistor values in ohms, 1/4 watt,  $k=1,000$  ohms.  
 All capacitor values in micro farads.

6			
5			
4			
3			
2			
1	73.3		

REVISION DATE CHANGE NO

CASSETTE DECK  
 MODEL NO. A-210  
 TEAC CORPORATION

A.O.T.O.



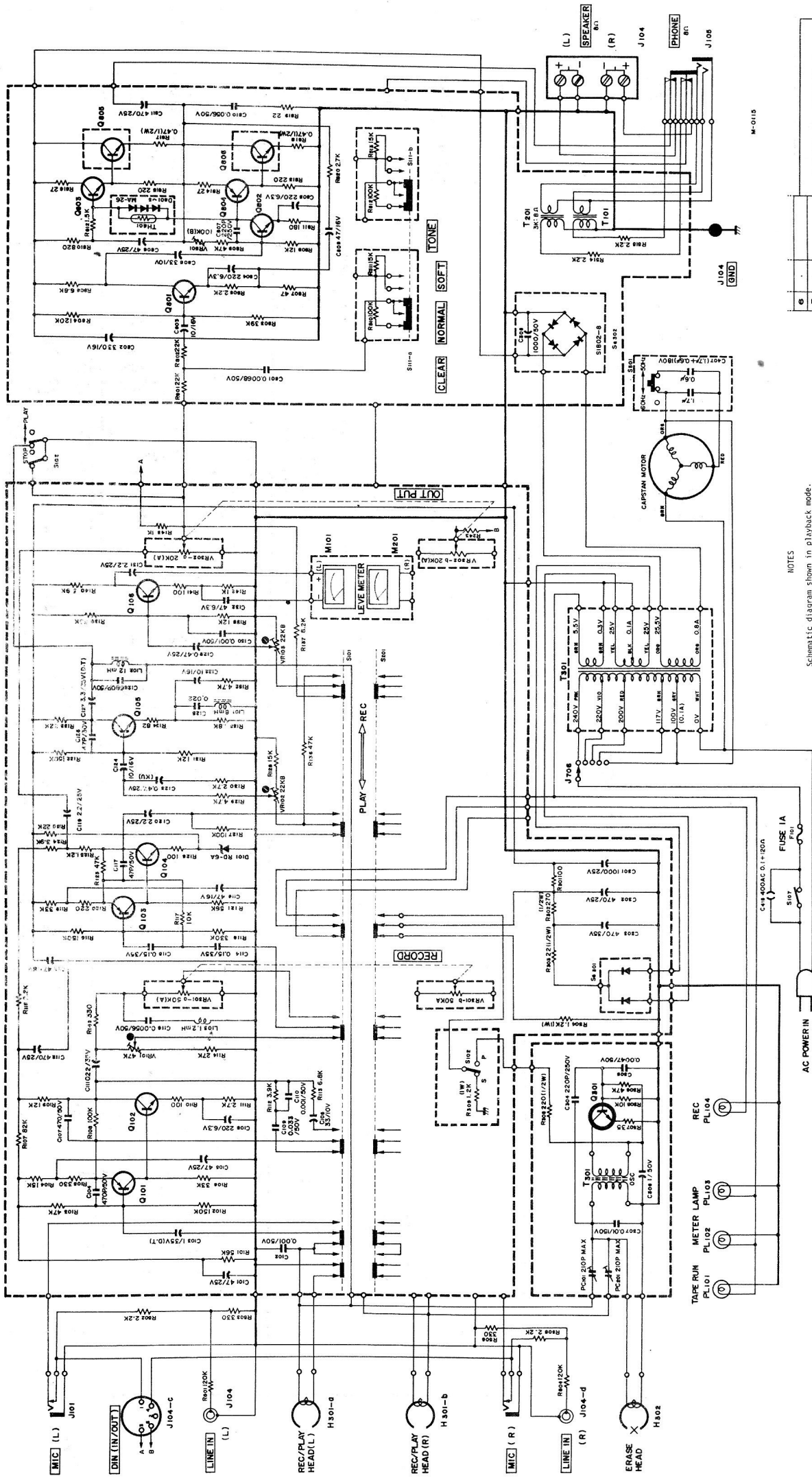
NOTES

Schematic diagram shown in playback mode.  
 Unless otherwise specified:  
 All resistor values in ohms, 1/4 watt, k=1,000 ohms.  
 All capacitor values in micro Farads.

TAPE switch shown in the RECORD position.

REVISION	DATE	CHANGE NO.
1	7-1-72	
2	7-1-72	
3		
4		
5		
6		

**CASSETTE DECK**  
**A-220**  
 MODEL NO. SHEET NO.  
**TEAC CORPORATION**  
 A 5107



NOTES  
Schematic diagram shown in playback mode.

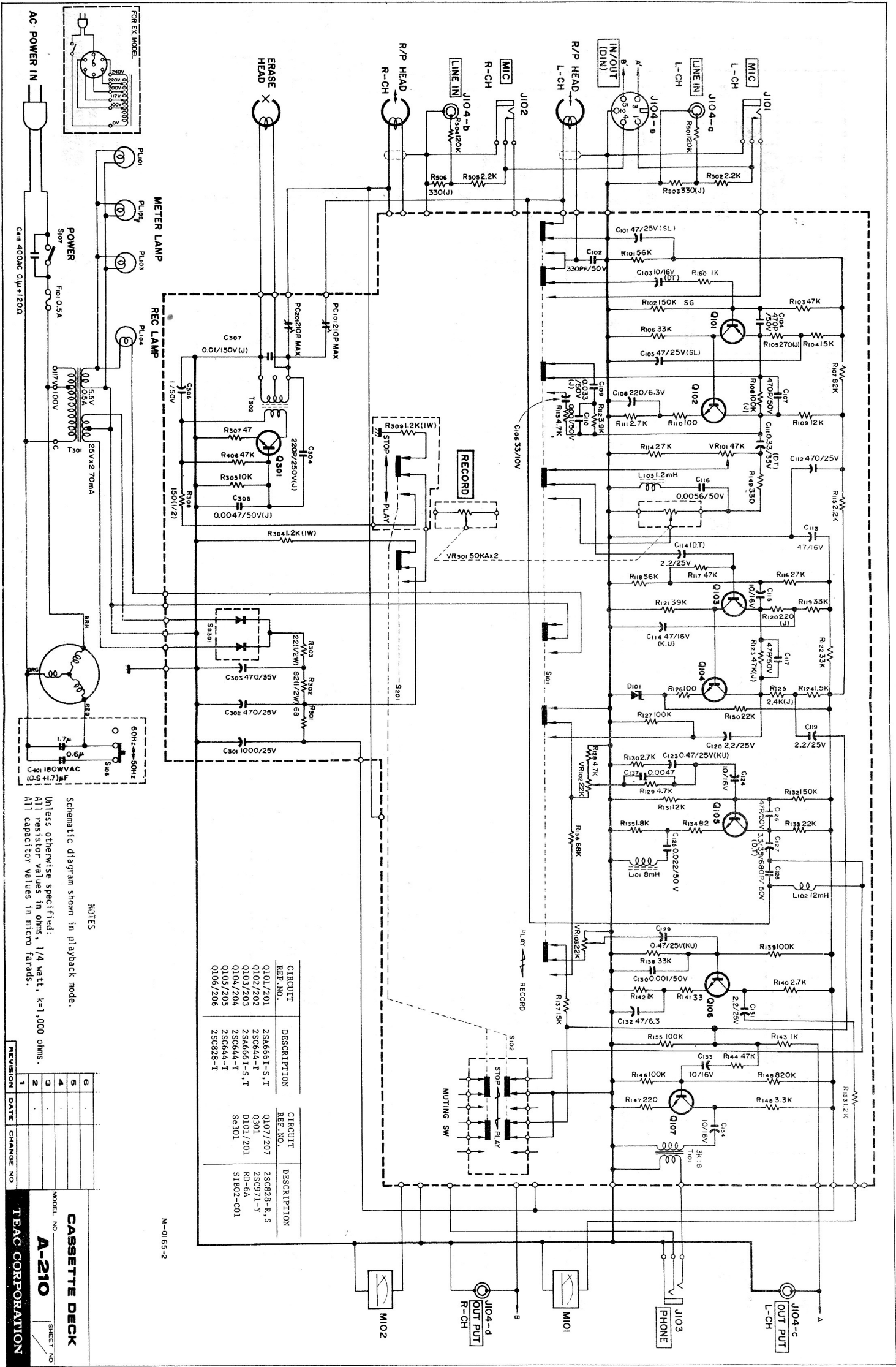
Unless otherwise specified:  
All resistor values in ohms, 1/4 watt, k=1,000 ohms.  
All capacitor values in micro farads.

TONE switch shown in the CLEAR position.

CASSIETTE RECORDER		SHEET NO.
MODEL NO.		A-280
6	5	4
3	2	1
REVISION	DATE	CHANGE NO.
1	2/23	1

A-0101





NOTES

Schematic diagram shown in playback mode.

Unless otherwise specified:  
 All resistor values in ohms, 1/4 watt, k=1,000 ohms.  
 All capacitor values in micro farads.

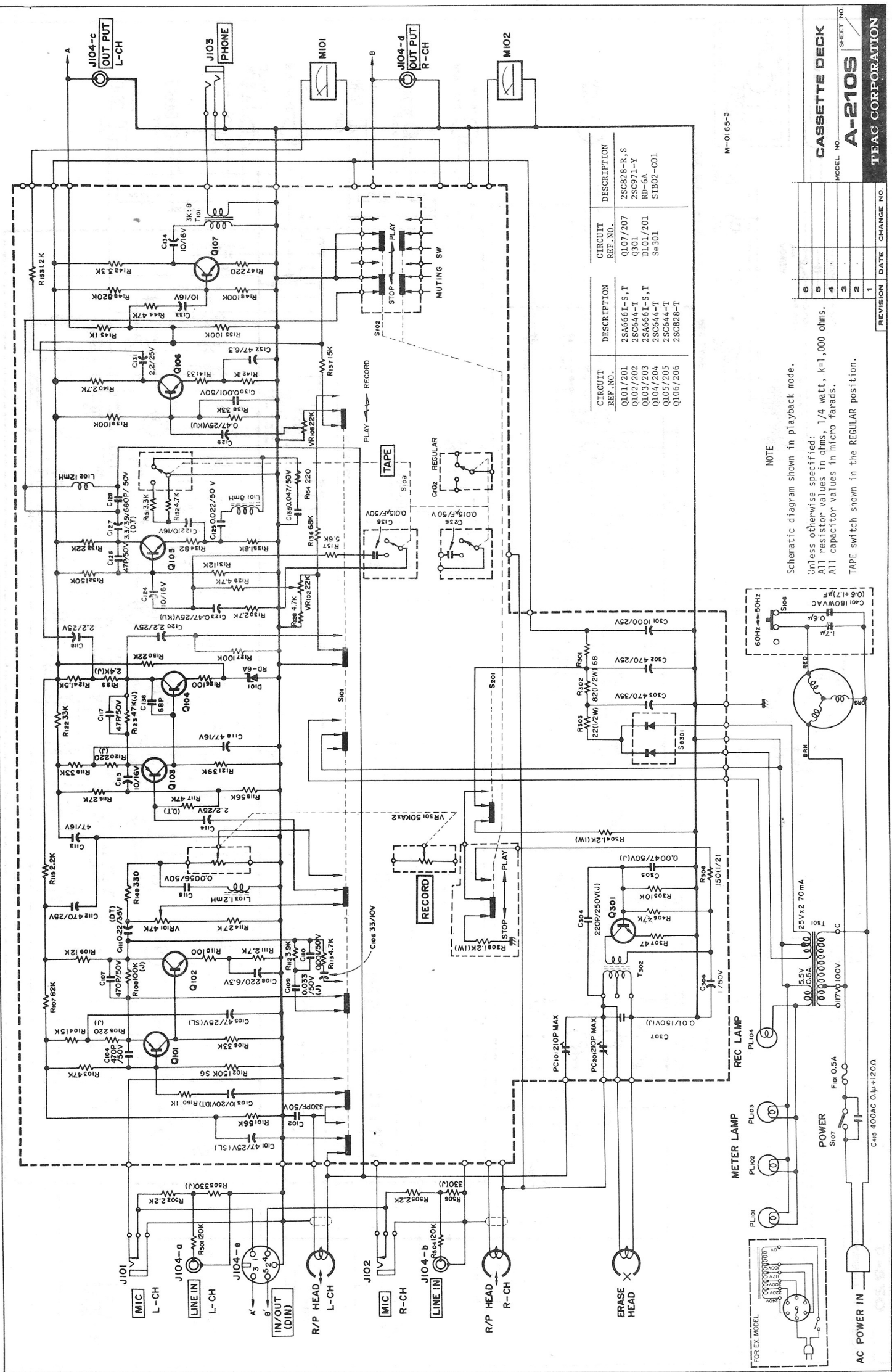
CIRCUIT REF. NO.	DESCRIPTION	CIRCUIT REF. NO.	DESCRIPTION
Q101/201	2SA6661-S,T	Q107/207	2SC828-R,S
Q102/202	2SC664-T	Q301	2SC971-T
Q103/203	2SA6661-S,T	RD-6A	RD-6A
Q104/204	2SC664-T	D101/201	S1R02-C01
Q105/205	2SC664-T		
Q106/206	2SC828-T		

REVISION	DATE	CHANGE NO.
1		
2		
3		
4		
5		
6		

MODEL NO. **A-210**

**CASSETTE DECK**

**TEAC CORPORATION**

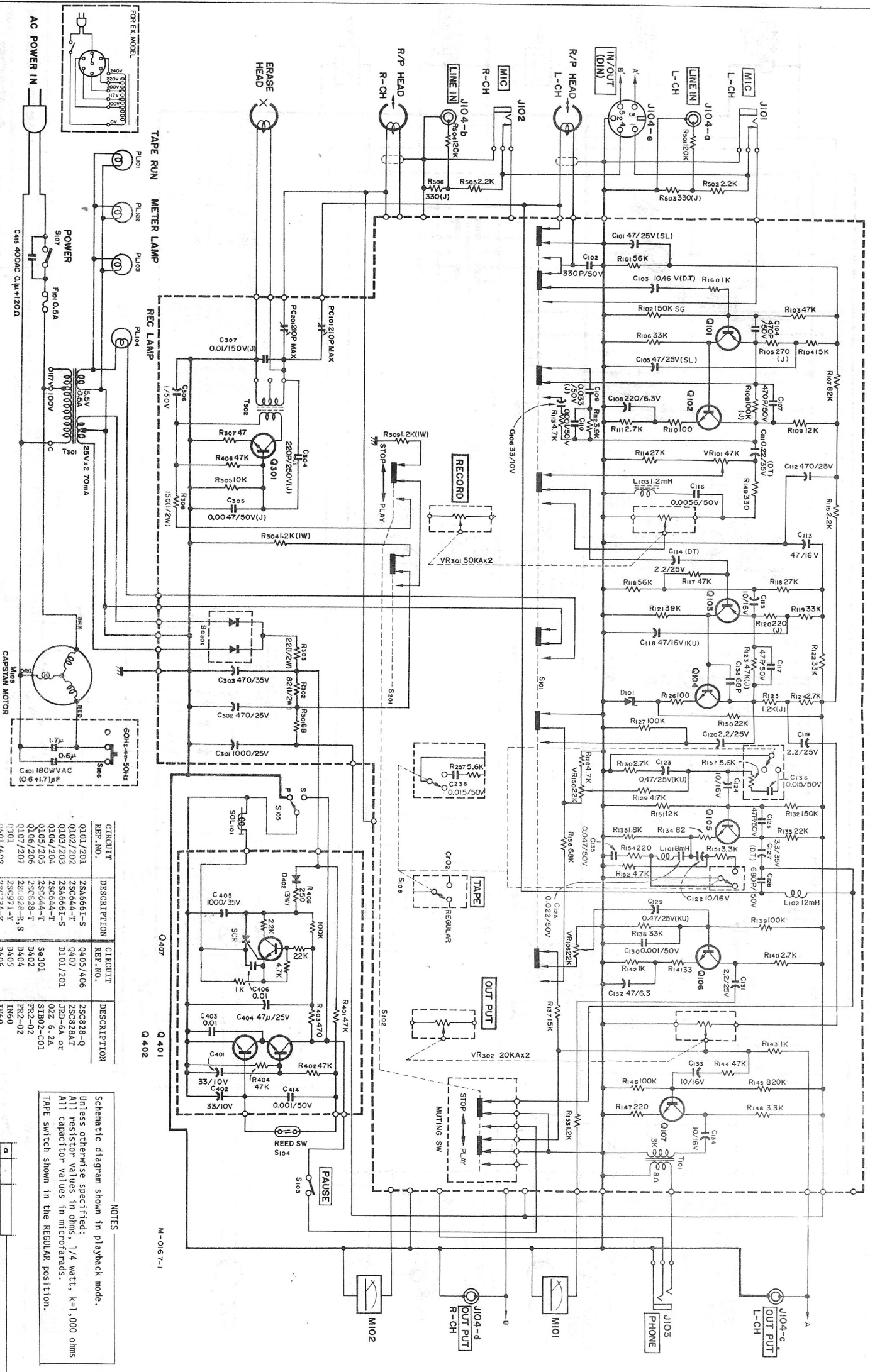


M-0165-3

**CASSETTE DECK**  
 MODEL NO. **A-210S**  
 SHEET NO.

**NOTE**  
 Schematic diagram shown in playback mode.  
 Unless otherwise specified:  
 All resistor values in ohms, 1/4 watt, k=1,000 ohms.  
 All capacitor values in micro farads.  
 TAPE switch shown in the REGULAR position.

**TEAC CORPORATION**



CIRCUIT REF. NO.	DESCRIPTION	CIRCUIT REF. NO.	DESCRIPTION
Q101/201	2SC0210P-S	Q403/406	2SC828-T
Q102/202	2SC064-T	Q407	2SC828-T
Q103/203	2SC6661-S	J101/201	J101-6A OR
Q104/204	2SC064-T	Q105/205	2SC064-T
Q105/205	2SC064-T	Q106/206	2SC098-T
Q106/206	2SC098-T	Q107/207	2SC828-T
Q107/207	2SC828-T	Q108/208	2SC828-T
Q108/208	2SC828-T	Q109/209	2SC828-T
Q109/209	2SC828-T	Q110/210	2SC828-T
Q110/210	2SC828-T	Q111/211	2SC828-T
Q111/211	2SC828-T	Q112/212	2SC828-T
Q112/212	2SC828-T	Q113/213	2SC828-T
Q113/213	2SC828-T	Q114/214	2SC828-T
Q114/214	2SC828-T	Q115/215	2SC828-T
Q115/215	2SC828-T	Q116/216	2SC828-T
Q116/216	2SC828-T	Q117/217	2SC828-T
Q117/217	2SC828-T	Q118/218	2SC828-T
Q118/218	2SC828-T	Q119/219	2SC828-T
Q119/219	2SC828-T	Q120/220	2SC828-T
Q120/220	2SC828-T	Q121/221	2SC828-T
Q121/221	2SC828-T	Q122/222	2SC828-T
Q122/222	2SC828-T	Q123/223	2SC828-T
Q123/223	2SC828-T	Q124/224	2SC828-T
Q124/224	2SC828-T	Q125/225	2SC828-T
Q125/225	2SC828-T	Q126/226	2SC828-T
Q126/226	2SC828-T	Q127/227	2SC828-T
Q127/227	2SC828-T	Q128/228	2SC828-T
Q128/228	2SC828-T	Q129/229	2SC828-T
Q129/229	2SC828-T	Q130/230	2SC828-T
Q130/230	2SC828-T	Q131/231	2SC828-T
Q131/231	2SC828-T	Q132/232	2SC828-T
Q132/232	2SC828-T	Q133/233	2SC828-T
Q133/233	2SC828-T	Q134/234	2SC828-T
Q134/234	2SC828-T	Q135/235	2SC828-T
Q135/235	2SC828-T	Q136/236	2SC828-T
Q136/236	2SC828-T	Q137/237	2SC828-T
Q137/237	2SC828-T	Q138/238	2SC828-T
Q138/238	2SC828-T	Q139/239	2SC828-T
Q139/239	2SC828-T	Q140/240	2SC828-T
Q140/240	2SC828-T	Q141/241	2SC828-T
Q141/241	2SC828-T	Q142/242	2SC828-T
Q142/242	2SC828-T	Q143/243	2SC828-T
Q143/243	2SC828-T	Q144/244	2SC828-T
Q144/244	2SC828-T	Q145/245	2SC828-T
Q145/245	2SC828-T	Q146/246	2SC828-T
Q146/246	2SC828-T	Q147/247	2SC828-T
Q147/247	2SC828-T	Q148/248	2SC828-T
Q148/248	2SC828-T	Q149/249	2SC828-T
Q149/249	2SC828-T	Q150/250	2SC828-T
Q150/250	2SC828-T	Q151/251	2SC828-T
Q151/251	2SC828-T	Q152/252	2SC828-T
Q152/252	2SC828-T	Q153/253	2SC828-T
Q153/253	2SC828-T	Q154/254	2SC828-T
Q154/254	2SC828-T	Q155/255	2SC828-T
Q155/255	2SC828-T	Q156/256	2SC828-T
Q156/256	2SC828-T	Q157/257	2SC828-T
Q157/257	2SC828-T	Q158/258	2SC828-T
Q158/258	2SC828-T	Q159/259	2SC828-T
Q159/259	2SC828-T	Q160/260	2SC828-T
Q160/260	2SC828-T	Q161/261	2SC828-T
Q161/261	2SC828-T	Q162/262	2SC828-T
Q162/262	2SC828-T	Q163/263	2SC828-T
Q163/263	2SC828-T	Q164/264	2SC828-T
Q164/264	2SC828-T	Q165/265	2SC828-T
Q165/265	2SC828-T	Q166/266	2SC828-T
Q166/266	2SC828-T	Q167/267	2SC828-T
Q167/267	2SC828-T	Q168/268	2SC828-T
Q168/268	2SC828-T	Q169/269	2SC828-T
Q169/269	2SC828-T	Q170/270	2SC828-T
Q170/270	2SC828-T	Q171/271	2SC828-T
Q171/271	2SC828-T	Q172/272	2SC828-T
Q172/272	2SC828-T	Q173/273	2SC828-T
Q173/273	2SC828-T	Q174/274	2SC828-T
Q174/274	2SC828-T	Q175/275	2SC828-T
Q175/275	2SC828-T	Q176/276	2SC828-T
Q176/276	2SC828-T	Q177/277	2SC828-T
Q177/277	2SC828-T	Q178/278	2SC828-T
Q178/278	2SC828-T	Q179/279	2SC828-T
Q179/279	2SC828-T	Q180/280	2SC828-T
Q180/280	2SC828-T	Q181/281	2SC828-T
Q181/281	2SC828-T	Q182/282	2SC828-T
Q182/282	2SC828-T	Q183/283	2SC828-T
Q183/283	2SC828-T	Q184/284	2SC828-T
Q184/284	2SC828-T	Q185/285	2SC828-T
Q185/285	2SC828-T	Q186/286	2SC828-T
Q186/286	2SC828-T	Q187/287	2SC828-T
Q187/287	2SC828-T	Q188/288	2SC828-T
Q188/288	2SC828-T	Q189/289	2SC828-T
Q189/289	2SC828-T	Q190/290	2SC828-T
Q190/290	2SC828-T	Q191/291	2SC828-T
Q191/291	2SC828-T	Q192/292	2SC828-T
Q192/292	2SC828-T	Q193/293	2SC828-T
Q193/293	2SC828-T	Q194/294	2SC828-T
Q194/294	2SC828-T	Q195/295	2SC828-T
Q195/295	2SC828-T	Q196/296	2SC828-T
Q196/296	2SC828-T	Q197/297	2SC828-T
Q197/297	2SC828-T	Q198/298	2SC828-T
Q198/298	2SC828-T	Q199/299	2SC828-T
Q199/299	2SC828-T	Q200/300	2SC828-T

**NOTES**

Schematic diagram shown in playback mode.

Unless otherwise specified:

ALL resistor values in ohms, 1/4 watt, k=1,000 ohms

ALL capacitor values in microfarads.

Tape switch shown in the REGULAR position.

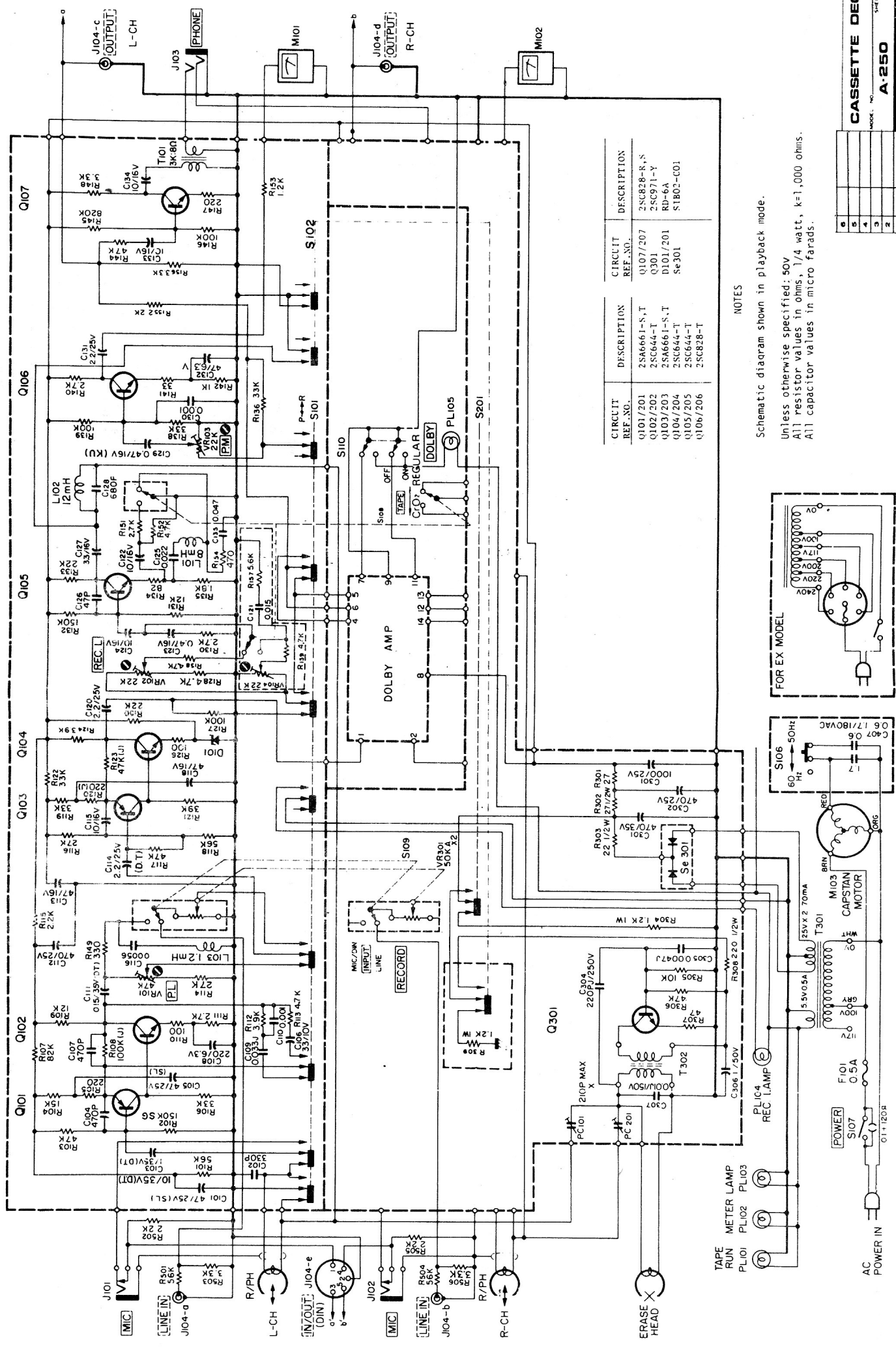
REVISION	DATE	CHANGE NO.
1		
2		
3		
4		
5		

**CASSETTE DECK**

MODEL NO. **A-220**

SHEET NO. \_\_\_\_\_

TEAC CORPORATION



CIRCUIT REF. NO.	DESCRIPTION	CIRCUIT REF. NO.	DESCRIPTION
Q101/201	2SA6661-S,T	Q107/207	2SC828-R,S
Q102/202	2SC644-T	Q301	2SC971-Y
Q103/203	2SA6661-S,T	D101/201	RD-6A
Q104/204	2SC644-T	Se301	S1802-C01
Q105/205	2SC644-T		
Q106/206	2SC828-T		

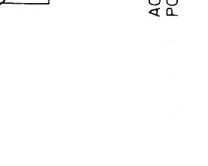
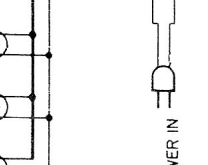
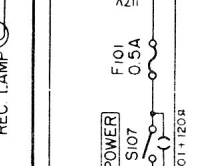
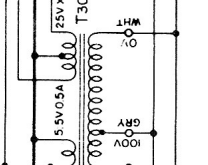
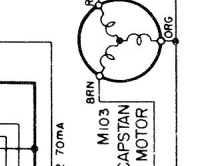
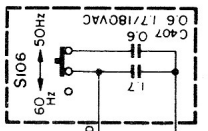
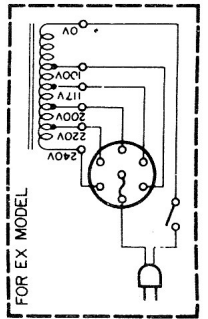
NOTES

Schematic diagram shown in playback mode.

Unless otherwise specified: 50V

All resistor values in ohms, 1/4 watt, k=1,000 ohms.

All capacitor values in micro farads.

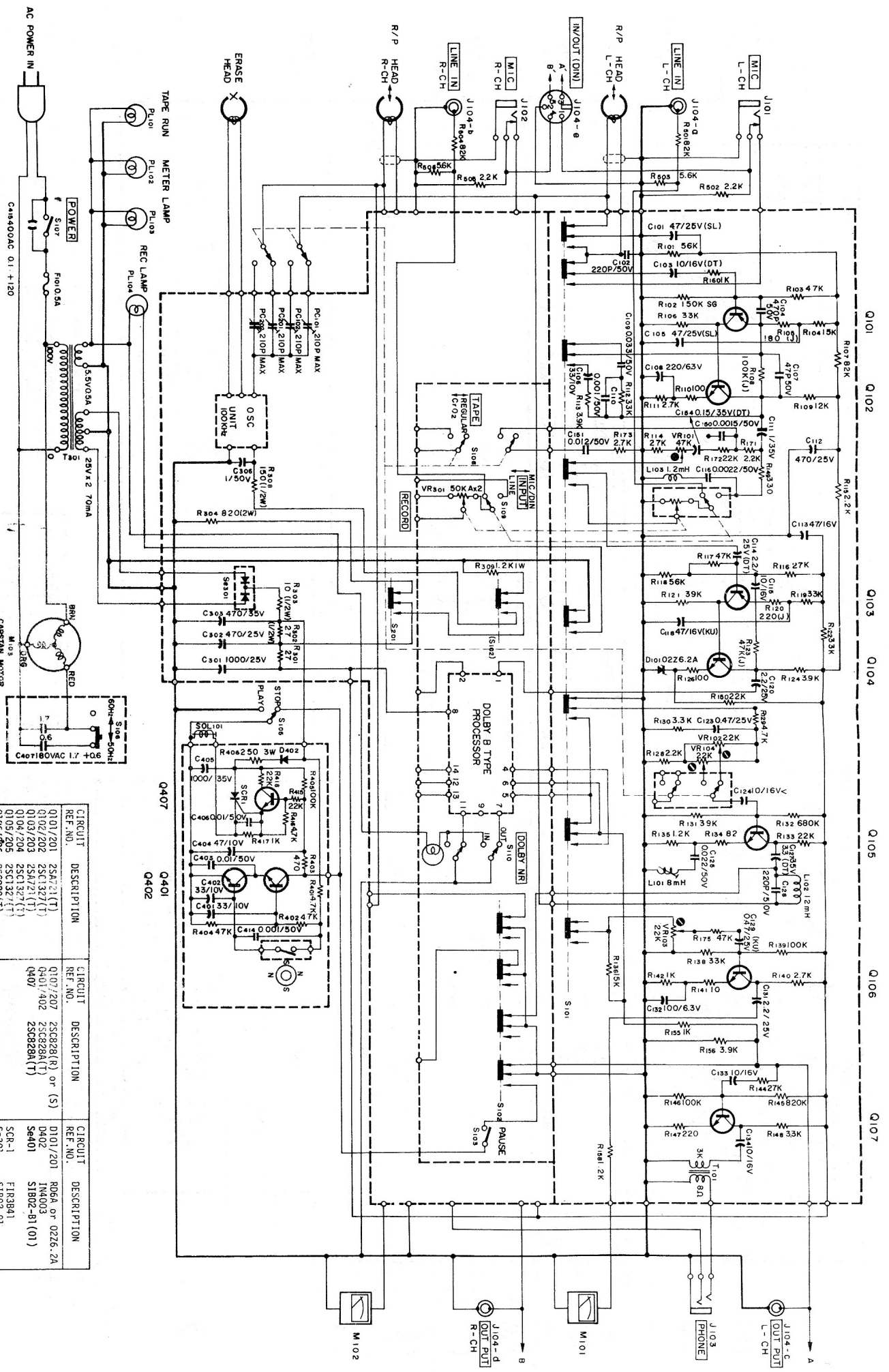


CASSETTE DECK

MODEL NO. A-250

TEAC CORPORATION

REVISION	DATE	CHANGE NO.
1		
2		
3		
4		
5		

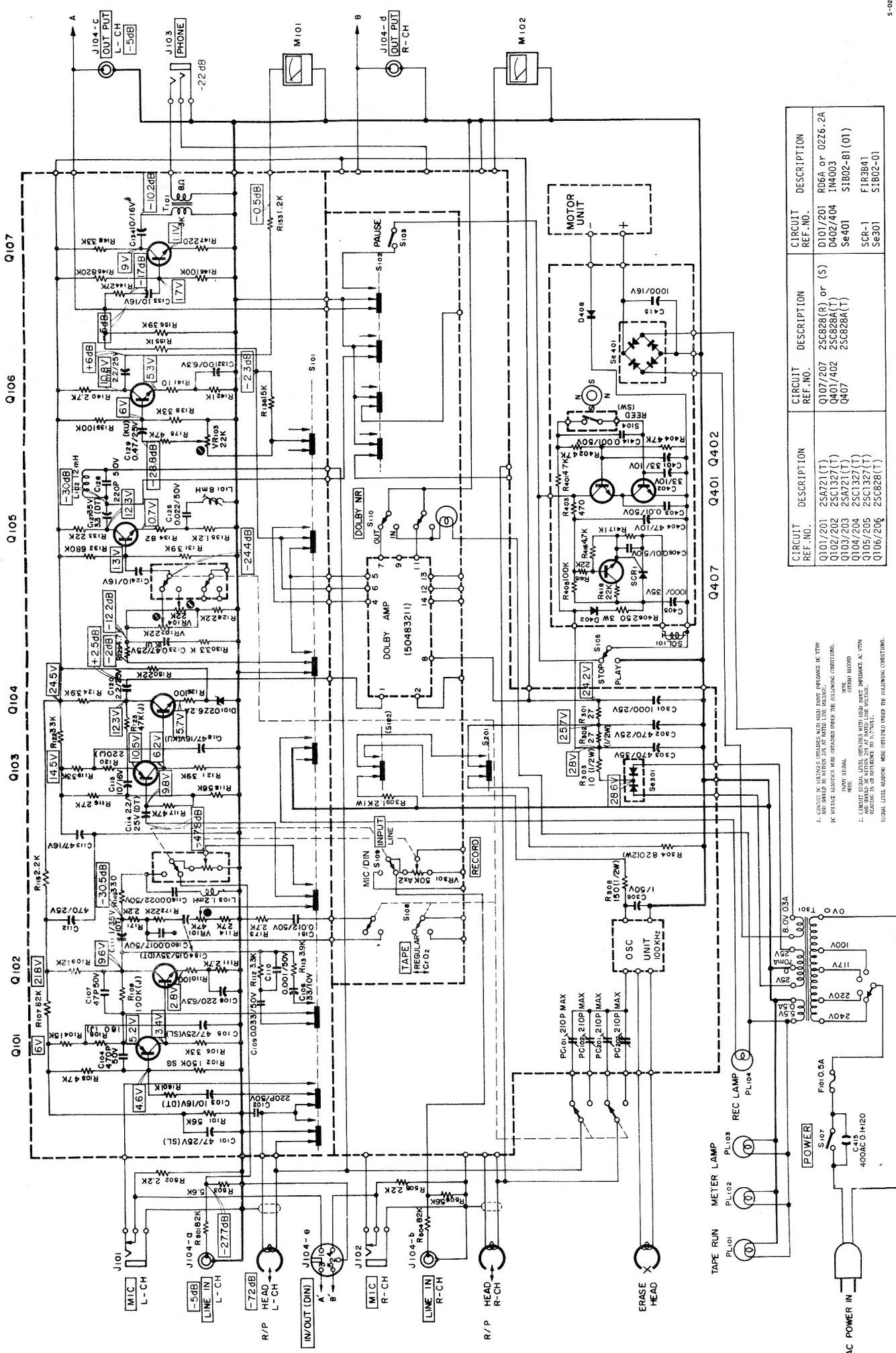


FOR ONLY-DOMESTIC (JAPAN) MARKET DECKS

CIRCUIT REF. NO.	DESCRIPTION	CIRCUIT REF. NO.	DESCRIPTION	CIRCUIT REF. NO.	DESCRIPTION
Q101/201	25A1.21(T)	Q107/207	25C828(R) or (S)	D101/201	RO6A or 0226-2A
Q102/202	25C1327(T)	Q401/402	25C828A(T)	D402	1N4003
Q103/203	25A1.21(T)	Q407	25C828A(T)	5s401	51B02-81(01)
Q104/204	25C1327(T)			SCR-1	F1R3841
Q105/205	25C1327(T)			5s301	51B02-01
Q106/206	25C828(T)				

NOTES  
 Schematic diagram shown in playback mode.  
 Unless otherwise specified: 50V  
 All resistor values in ohms, 1/4 watt, k=1,000 ohms  
 All capacitor values in micro farads.

TEAC CORPORATION  
 CASSETTE DECK  
 MODEL NO. A-2505  
 SHEET NO. 705  
 DRAWING NO. DATE CHANGE NO.



CIRCUIT REF. NO.	DESCRIPTION	CIRCUIT REF. NO.	DESCRIPTION
Q101/201	2SA721(T)	Q107/207	2SC628(R) or (S)
Q102/202	2SC1327(T)	Q401/402	2SC628A(T)
Q103/203	2SA721(T)	Q407	2SC628A(T)
Q104/204	2SC1327(T)	Se401	S1B02-B1(01)
Q105/205	2SC1327(T)	SCR-1	FR3B41
Q106/206	2SC628(T)	Se301	S1B02-01

**NOTES**

Schematic diagram shown in playback mode.

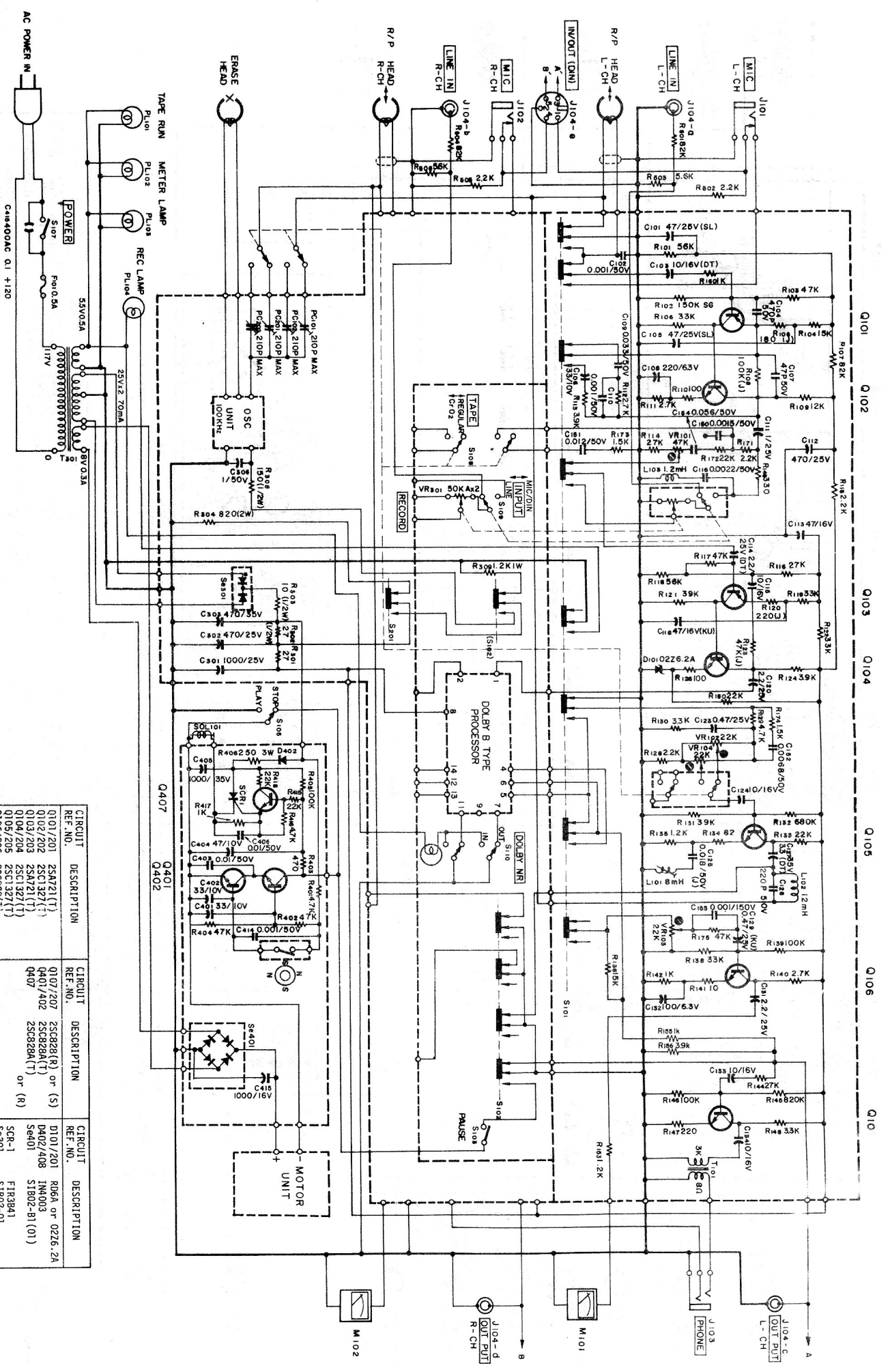
Unless otherwise specified: 50V

All resistor values in ohms, 1/4 watt, k=1,000 ohms.

All capacitor values in micro farads.

1. CIRCUIT IC LEVELS CHANGES WITH HIGH INPUT IMPEDANCE OR WITH ANOTHER ADDRESS ARE OBTAINED UNDER THE FOLLOWING CONDITIONS:  
 MIC: SIGNAL  
 LINE: RECORD  
 STOP: RECORD  
 PLAYO: RECORD
2. CIRCUIT SIGNAL LEVEL OPERATES WITH HIGH INPUT IMPEDANCE OR WITH ANOTHER ADDRESS ARE OBTAINED UNDER THE FOLLOWING CONDITIONS:  
 STOP: RECORD  
 PLAYO: RECORD

SIGNAL LEVEL: RECORDING  
 INPUT CONTROL: RECORDING  
 REFERENCE LEVEL: RECORDING  
 OUTPUT LEVEL: RECORDING



CIRCUIT REF. NO.	DESCRIPTION	CIRCUIT REF. NO.	DESCRIPTION
Q101/201	2SA721(T)	D101/201	0226-2A
Q102/202	2SC132(T)	D401/408	1N4003
Q103/203	2SA721(T)	Se401	51802-B1(01)
Q104/204	2SA721(T)	Se401	51802-B1(01)
Q105/205	2SC132(T)	Se401	51802-B1(01)
Q106/206	2SC828(T)	Se401	51802-B1(01)

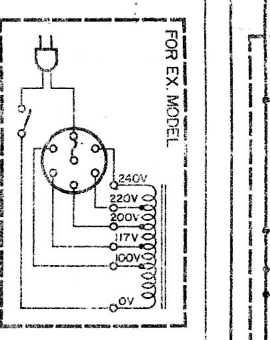
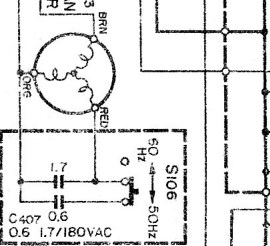
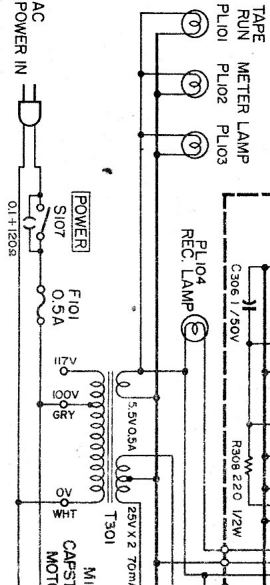
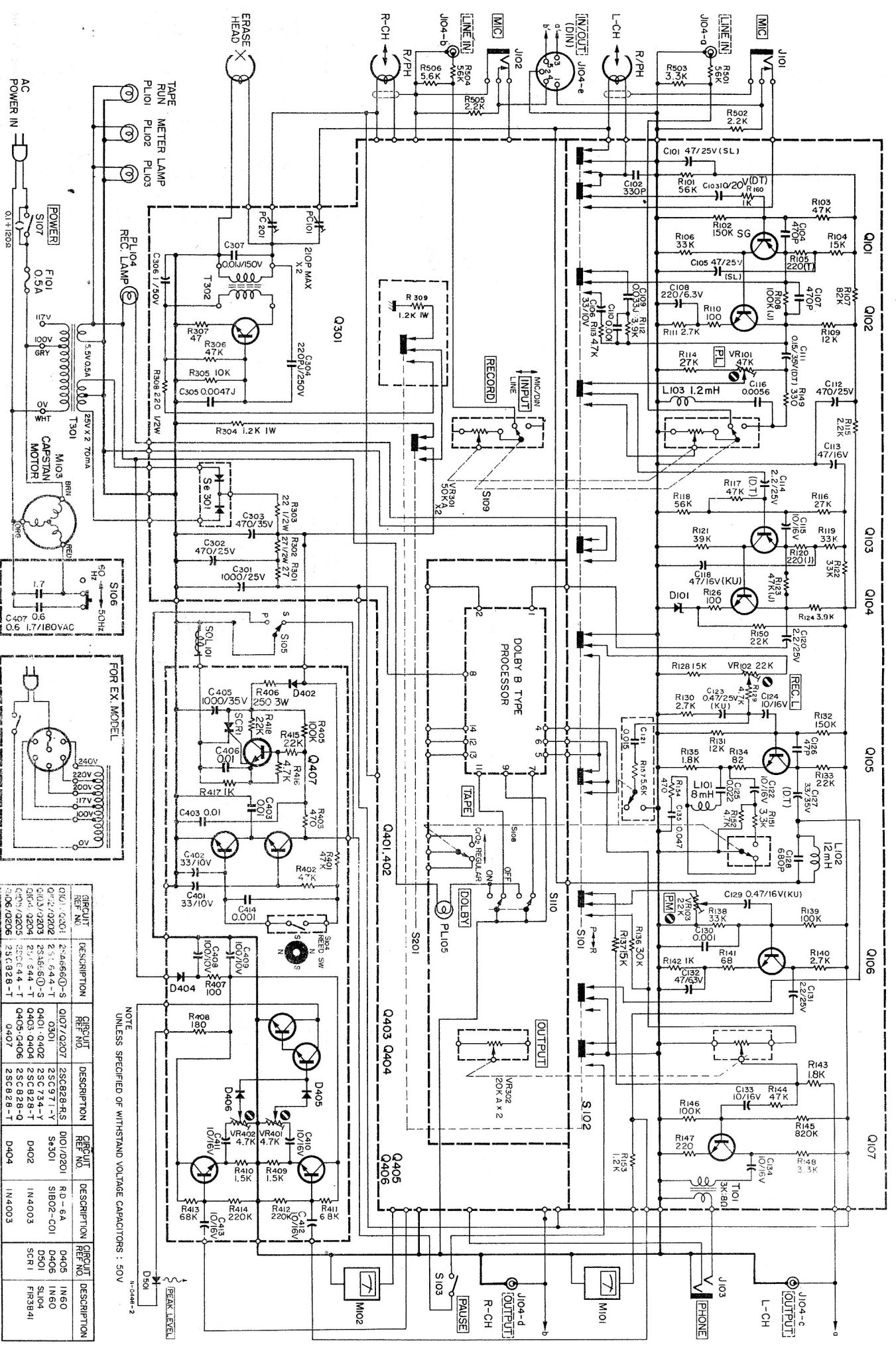
NOTES  
 Schematic diagram shown in playback mode.  
 Unless otherwise specified: 50V  
 All resistor values in ohms, 1/4 watt, k=1,000 ohms.  
 All capacitor values in micro farads.

REVISION	DATE	CHANGE NO.
1		
2		
3		
4		
5		

CASSETTE DECK  
 MODEL NO. TEAC 2605  
 SHEET NO. 1  
 TEAC CORPORATION







NOTE: UNLESS SPECIFIED OF WITHSTAND VOLTAGE CAPACITORS: 50V

CIRCUIT REF. NO.	DESCRIPTION	CIRCUIT REF. NO.	DESCRIPTION	CIRCUIT REF. NO.	DESCRIPTION	CIRCUIT REF. NO.	DESCRIPTION
Q101	2A4660-S	Q107	25C928-RS	D101	RD-6A	Q405	IN60
Q102	2A4660-S	Q401	25C971-Y	S102	S102-CO1	D501	IN60
Q103	2A4660-S	Q402	25C734-Y	S103	IN4003	S104	IN60
Q104	2A4660-S	Q403	25C928-T	S104	IN4003	S105	IN60
Q105	2A4660-S	Q404	25C928-T	S105	IN4003	S106	IN60
Q106	2A4660-S	Q405	25C928-T	S106	IN4003	S107	IN60
Q107	2A4660-S	Q407	25C928-T	S107	IN4003	S108	IN60

NOTES

1. Schematic diagram shown in PLAYBACK mode. Unless otherwise specified, all capacitors values in micro farads.

2. Screws/trimmer adjustment.

3. on front panel.

4. on rear panel.

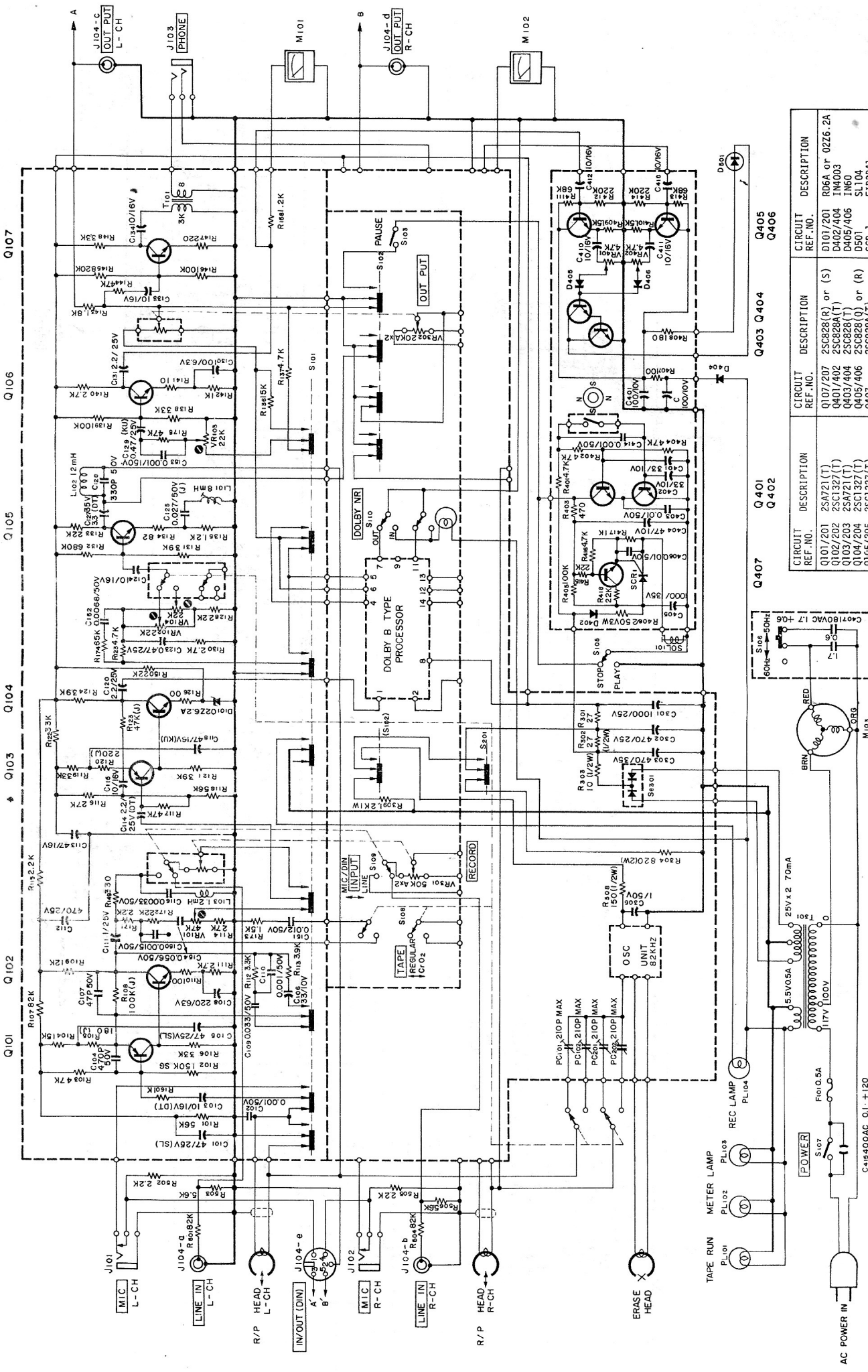
5. K = 1,000 ohms.

CASSETTE DECK

MODEL NO. A-350

TEACO CORPORATION

REVISION DATE CHANGE NO.

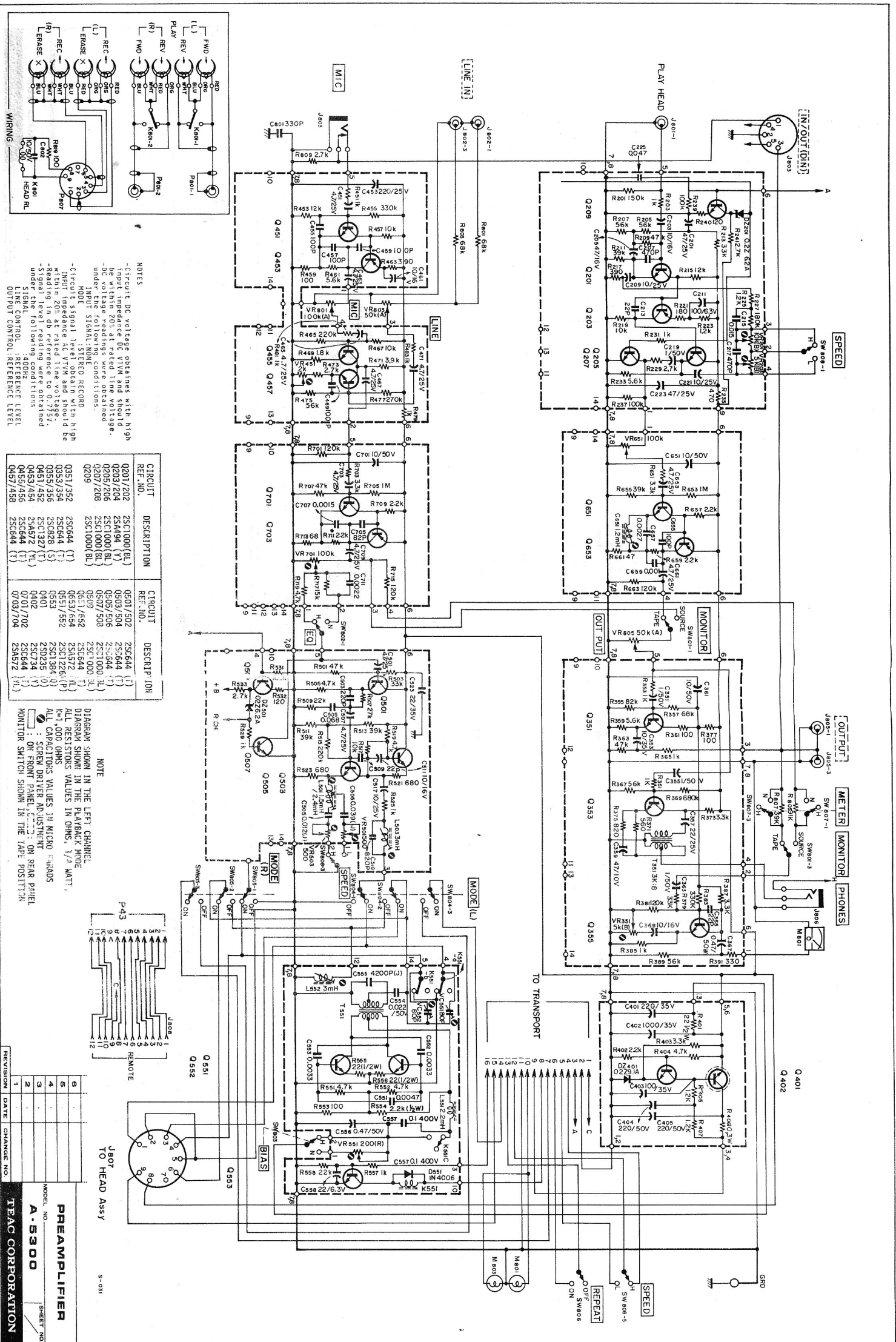


CIRCUIT REF. NO.	DESCRIPTION	CIRCUIT REF. NO.	DESCRIPTION	CIRCUIT REF. NO.	DESCRIPTION
Q101/201	25A721(T)	Q107/207	25C828(T) or (S)	D101/201	806A or 0226.2A
Q102/202	25C1327(T)	Q401/402	25C828A(T)	D402/404	1N4003
Q103/203	25A721(T)	Q403/404	25C828(T)	D405/406	1N60
Q104/204	25C1327(T)	Q405/406	25C828(T) or (R)	D501	SL104
Q105/205	25C1327(T)	Q407	25C828A(T)	SCR-1	FR3B41
Q106/206	25C828(T)			Se301	S1B02-01

**NOTES**

Schematic diagram shown in playback mode.  
 Unless otherwise specified: 50V  
 All resistor values in ohms, 1/4 watt, k=1,000 ohms.  
 All capacitor values in micro farads.

REVISION	DATE	CHANGE NO.
1		
2		
3		
4		
5		



NOTES

- Circuit DC voltage obtains with high input impedance of VIM and should be within 20% of rated line voltage.
- DC voltage readings were obtained under the following conditions:
- INPUT SIGNAL: NONE
- MODE SIGNAL: STEREO RECORD
- Circuit impedance at 1000 Hz and high input impedance at 100 Hz and should be within 20% of rated line voltage.
- Reading in db reference were obtained under the following conditions:
- LINE CONTROL: REFERENCE LEVEL
- OUTPUT CONTROL: REFERENCE LEVEL

CIRCUIT REF. NO.	DESCRIPTION	CIRCUIT REF. NO.	DESCRIPTION
Q201/202	25C1000 (BL)	Q501/502	25C644 (T)
Q203/204	25A494 (Y)	Q503/504	25C644 (T)
Q205/206	25C1000 (BL)	Q505/506	25C644 (T)
Q207/208	25C1000 (BL)	Q507/508	25C1000 (BL)
Q209	25C1000 (BL)	Q509	25C1000 (BL)
Q351/352	25C644 (T)	Q551/552	25C644 (T)
Q353/354	25C644 (T)	Q553/554	25C1226 (H)
Q355/356	25C828 (S)	Q555	25C1384 (Y)
Q451/452	25C1327 (T)	Q401	25C233 (Y)
Q453/454	25A572 (Y)	Q402	25C233 (Y)
Q455/456	25C644 (T)	Q403/404	25C644 (T)
Q457/458	25C644 (T)	Q405/406	25C644 (T)
		Q407/408	25A972 (YL)

NOTE

DIAGRAM SHOWN IN THE LEFT CHANNEL

ALL RESISTOR VALUES IN MICRO OHMS

ALL CAPACITOR VALUES IN MICRO FARADS

ALL CAPACITORS VALUES IN OHMS, 1/2 WATT

MODE : ON FRONT PANEL

REPEAT : ON REAR PANEL

MONITOR SWITCH SHOWN IN THE TAPE POSITION

TEAC CORPORATION

MODEL NO. A-5300

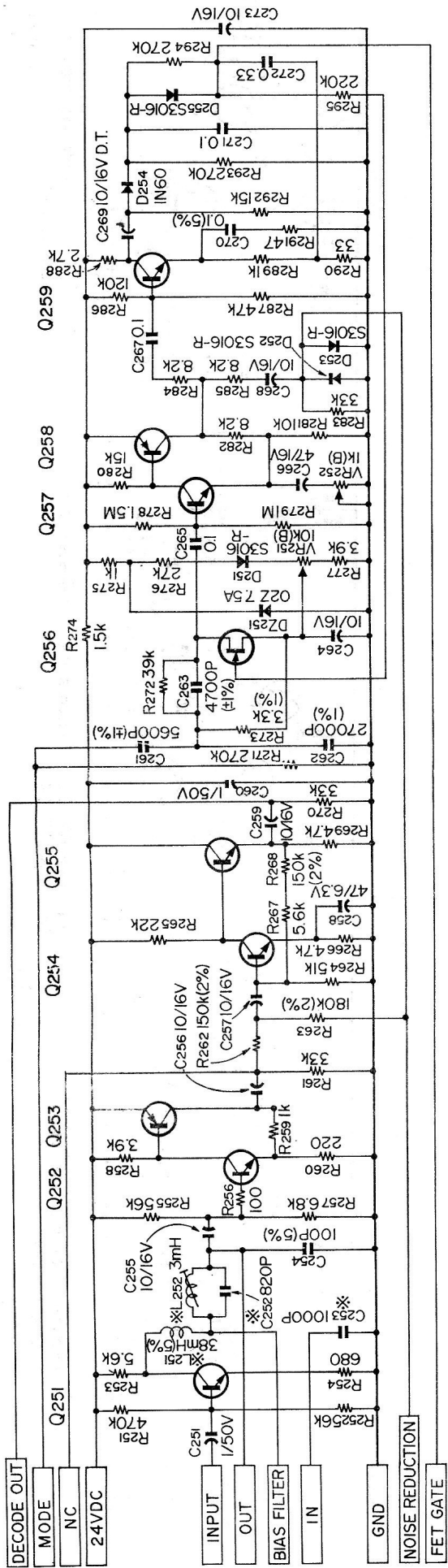
SHEET NO. 1

REVISION DATE CHANGE NO.

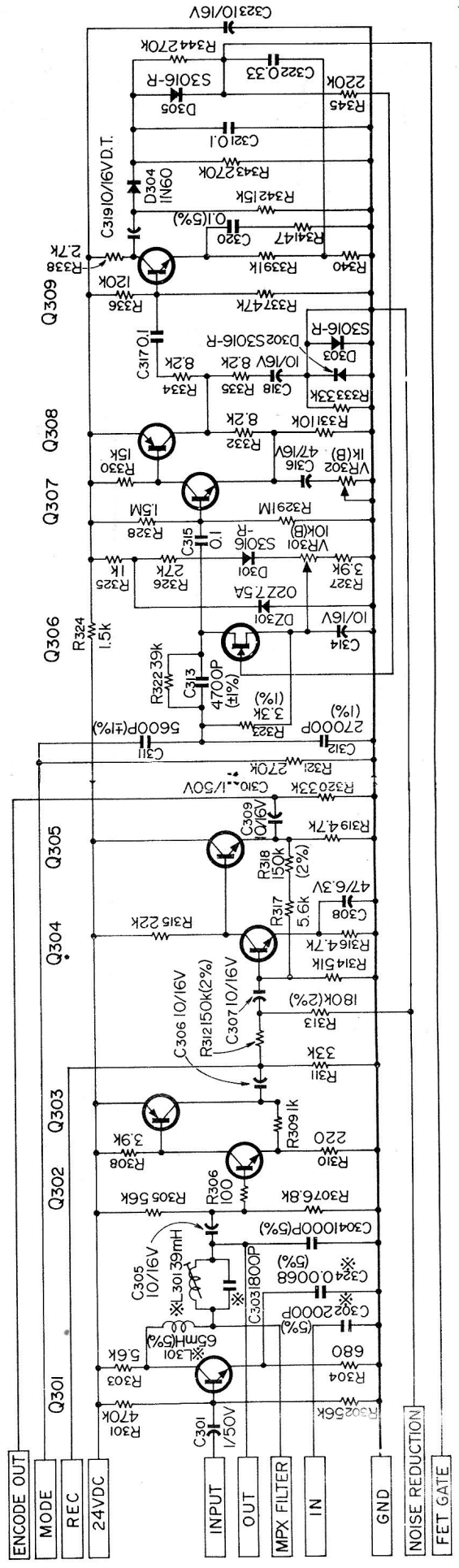


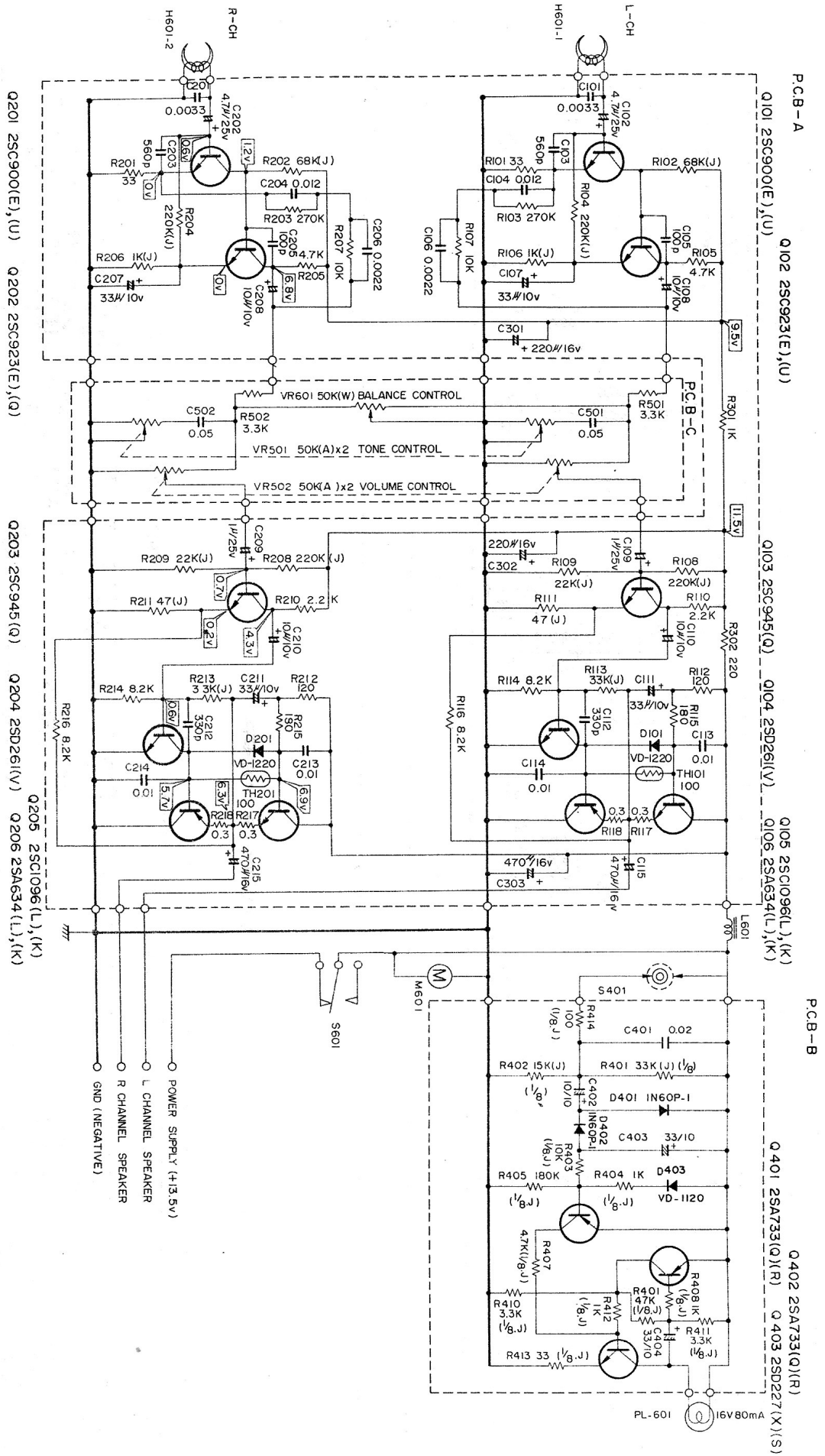


DOLBY DECODER



DOLBY ENCODER

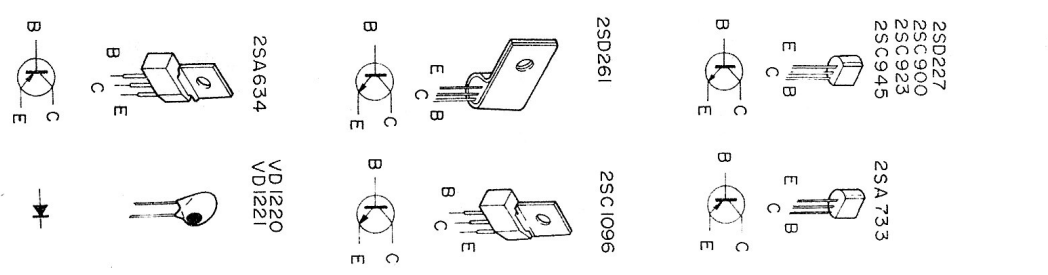


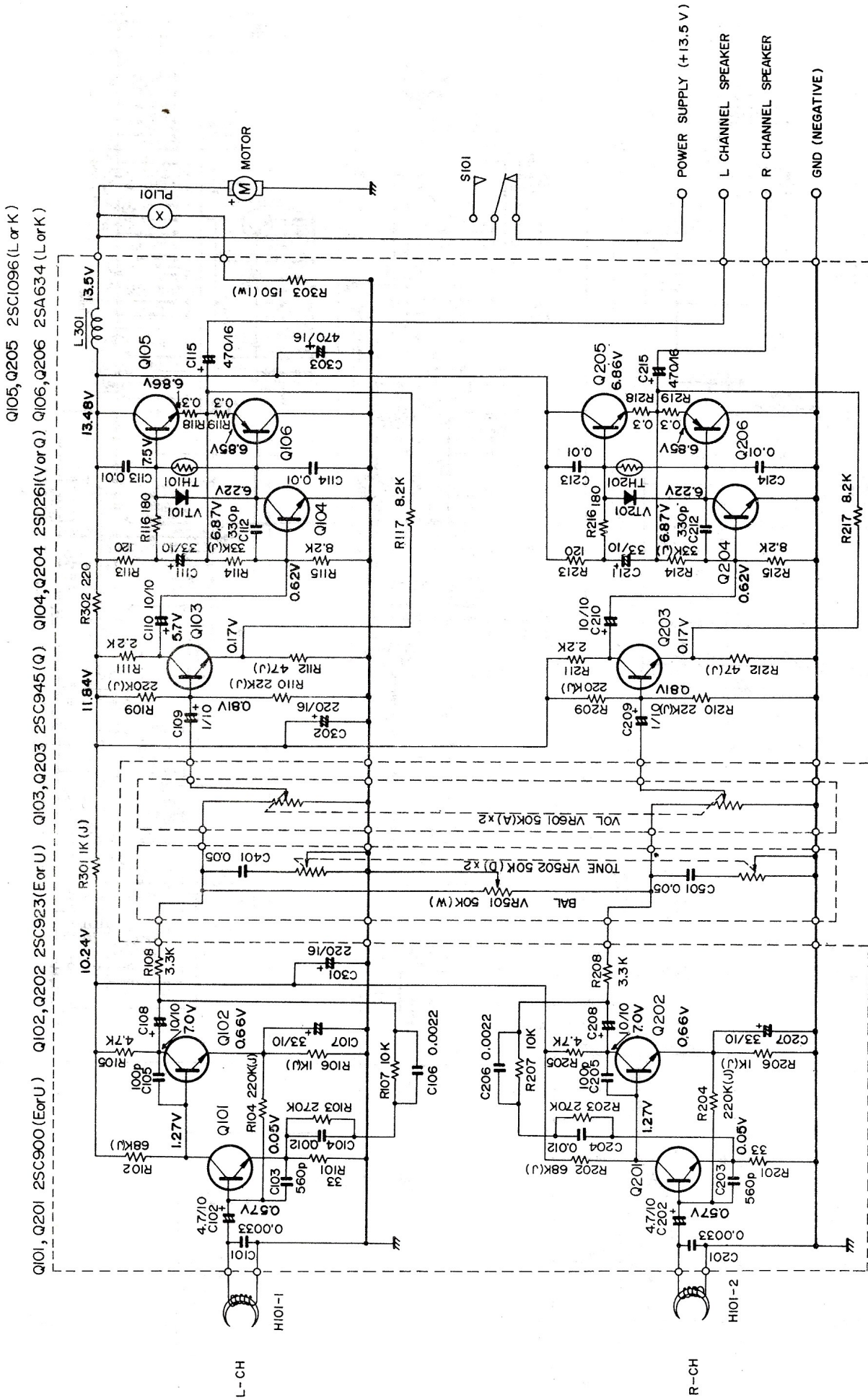


- NOTES
1. ALL RESISTANCE IN Ω, K, M, 1000Ω
  2. ALL CAPACITANCE IN JUF, P, F, 10<sup>-6</sup>JUF
  3. ALL RESISTANCE WATTAGE ARE 1/4 WATT UNLESS MARKED (1/8)
  4. S401... LAMP CONTROL SWITCH
  5. S601... POWER SWITCH

\* This schematic diagram is subject to change without notice.

TKR - CRF - 30





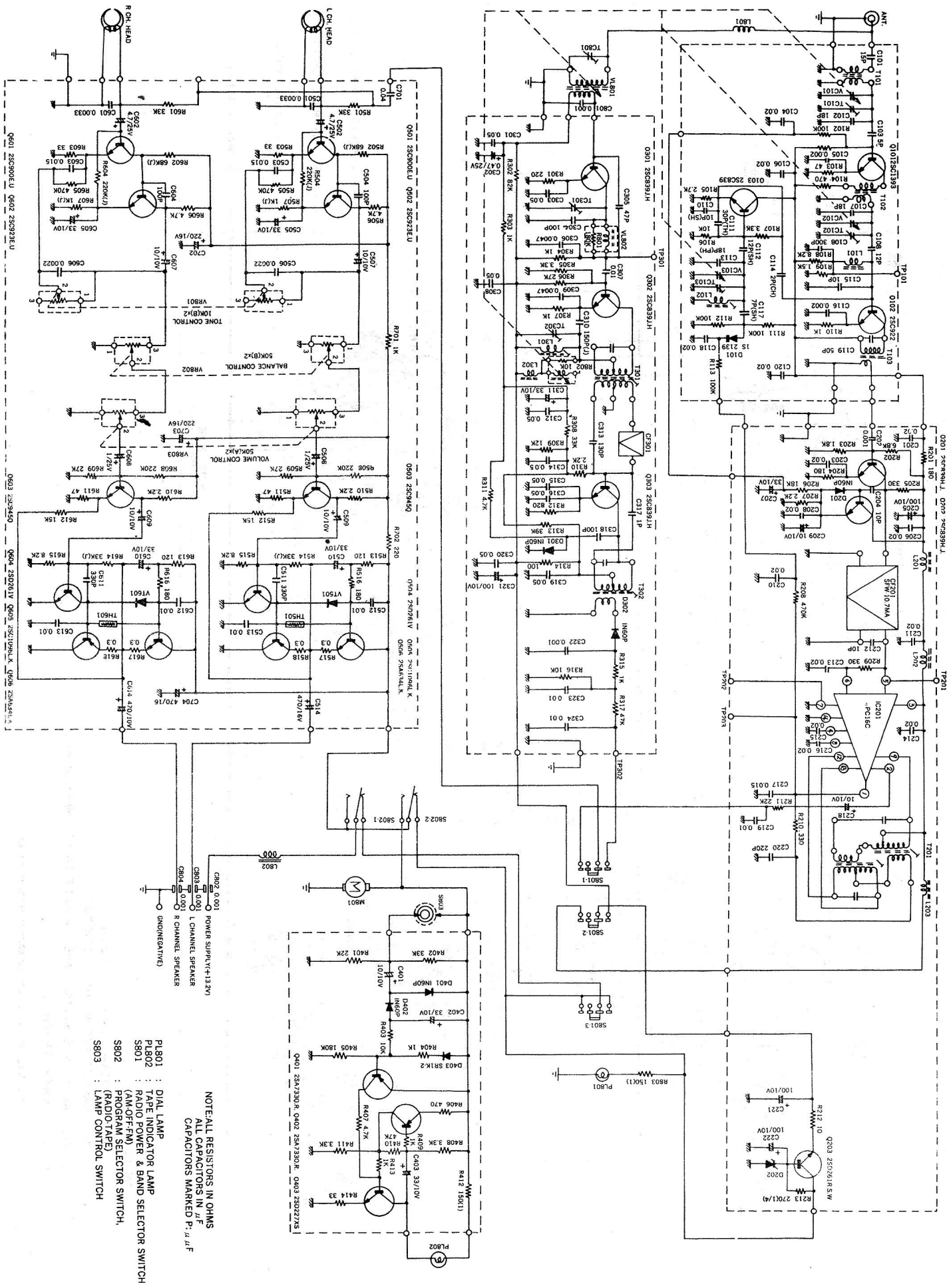
\* NOTES

1. ALL RESISTANCE IN Ω, K:1000Ω.
2. ALL CAPACITANCE IN μF P:10<sup>6</sup>μF.
3. ALL RESISTANCE WATTAGE ARE 1/4 WATT UNLESS MARKED(W)
4. S101: POWER SWITCH.

This diagram is subject to change without notice.

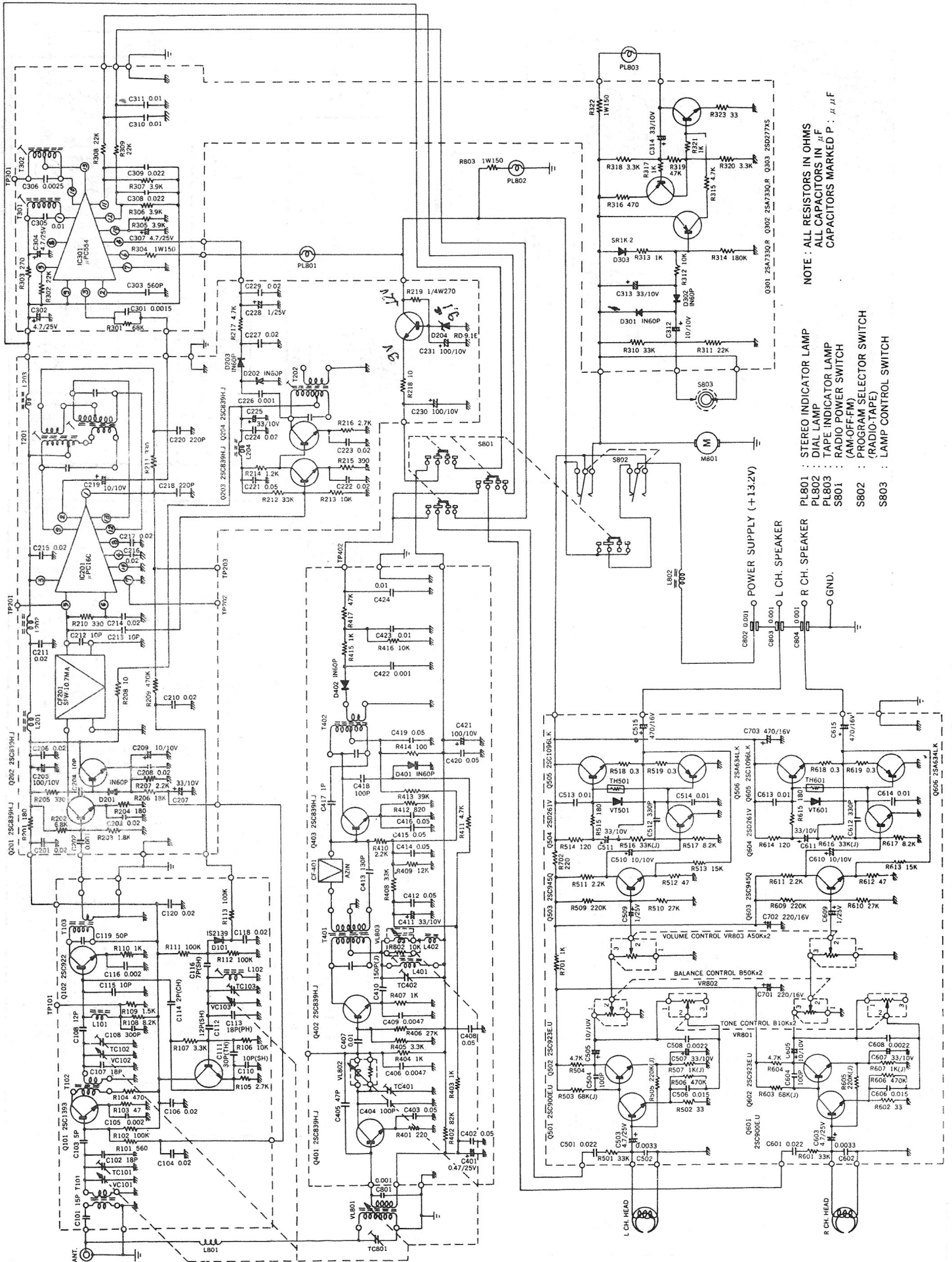


TKR - CRF - 150 M



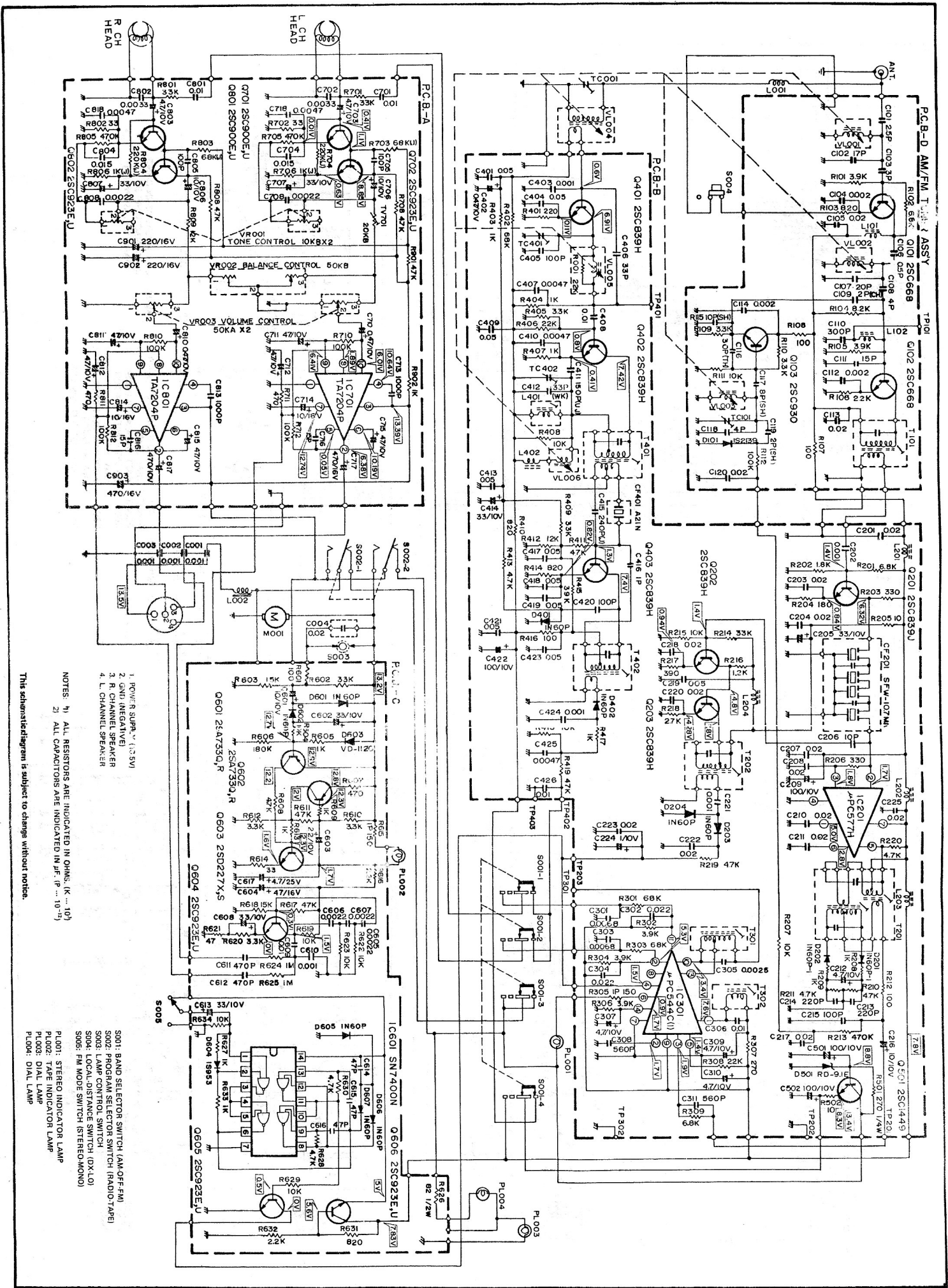
NOTE: ALL RESISTORS IN OHMS  
ALL CAPACITORS IN  $\mu$ F  
CAPACITORS MARKED P,  $\mu$ F

P801 : DIAL LAMP  
P802 : TAP INDICATOR LAMP  
S801 : RADIO POWER & BAND SELECTOR SWITCH  
S802 : PROGRAM SELECTOR SWITCH  
S803 : RADIO/TAPE LAMP CONTROL SWITCH



NOTE : ALL RESISTORS IN OHMS  
 ALL CAPACITORS IN  $\mu$ F  
 CAPACITORS MARKED P.  $\mu$ F

PL801 : STEREO INDICATOR LAMP  
 PL802 : DIAL LAMP  
 PL803 : TAPE INDICATOR LAMP  
 S801 : RADIO POWER SWITCH (AM OFF-FM)  
 S802 : PROGRAM SELECTOR SWITCH (RADIO-TAPE)  
 S803 : LAMP CONTROL SWITCH

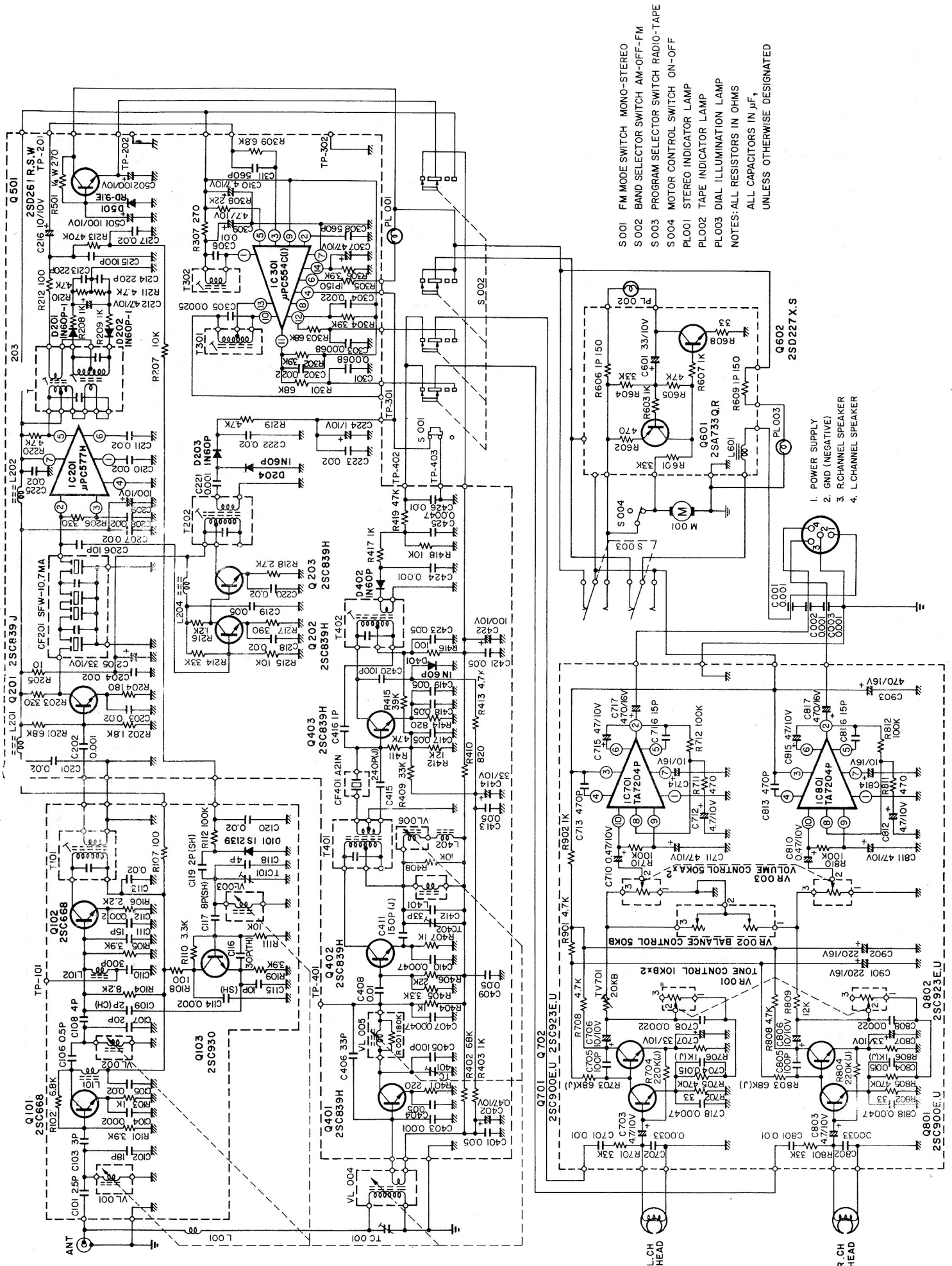


1. POWER SUPPLY (1.5 V)
2. GND (NEGATIVE)
3. R. CHANNEL SPEAKER
4. L. CHANNEL SPEAKER

NOTES: 1) ALL RESISTORS ARE INDICATED IN OHMS (K...10<sup>3</sup>)  
 2) ALL CAPACITORS ARE INDICATED IN P.F. (...10<sup>-7</sup>)

This schematic diagram is subject to change without notice.

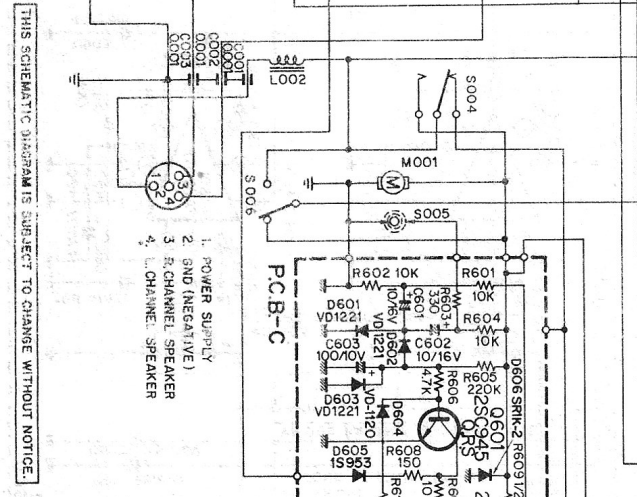
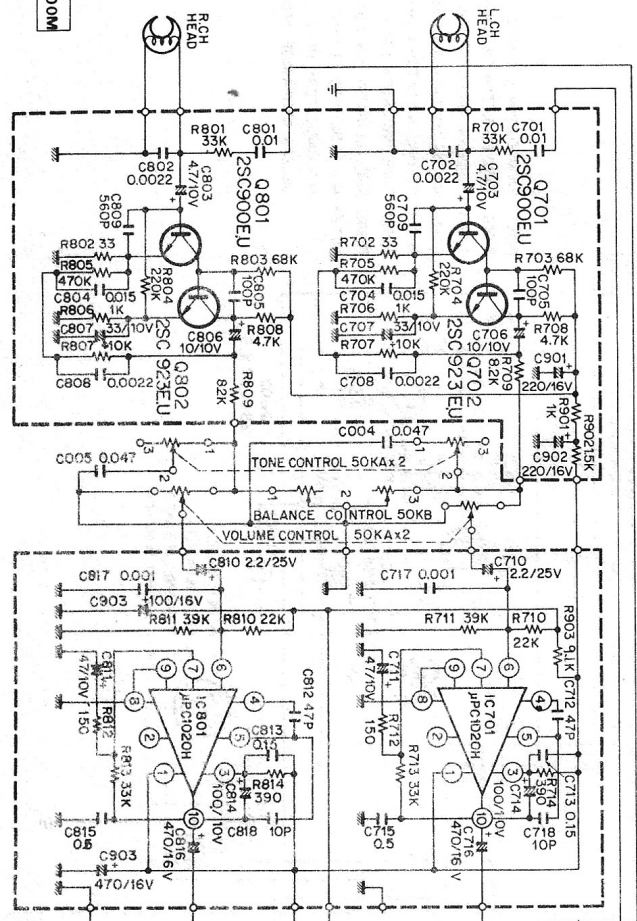
- P.L001: BAND SELECTOR SWITCH (AM/OFF-FM)
- P.L002: PROGRAM SELECTOR SWITCH (RADIO-TAPE)
- P.L003: LAMP CONTROL SWITCH (DX-LO)
- P.L004: LOCAL-DISTANCE SWITCH (STEREO-MONO)
- P.L005: FM MODE SWITCH (STEREO-MONO)
- P.L006: STEREO INDICATOR LAMP
- P.L007: TAPE INDICATOR LAMP
- P.L008: DIAL LAMP
- P.L009: DIAL LAMP



S 001 FM MODE SWITCH MONO-STEREO  
 S 002 BAND SELECTOR SWITCH AM-OFF-FM  
 S 003 PROGRAM SELECTOR SWITCH RADIO-TAPE  
 S 004 MOTOR CONTROL SWITCH ON-OFF  
 P 001 STEREO INDICATOR LAMP  
 P 002 TAPE INDICATOR LAMP  
 P 003 DIAL ILLUMINATION LAMP  
 NOTES: ALL RESISTORS IN OHMS  
 ALL CAPACITORS IN µF,  
 UNLESS OTHERWISE DESIGNATED

- 1. POWER SUPPLY
- 2. GND (NEGATIVE)
- 3. R.CHANNEL SPEAKER
- 4. L.CHANNEL SPEAKER

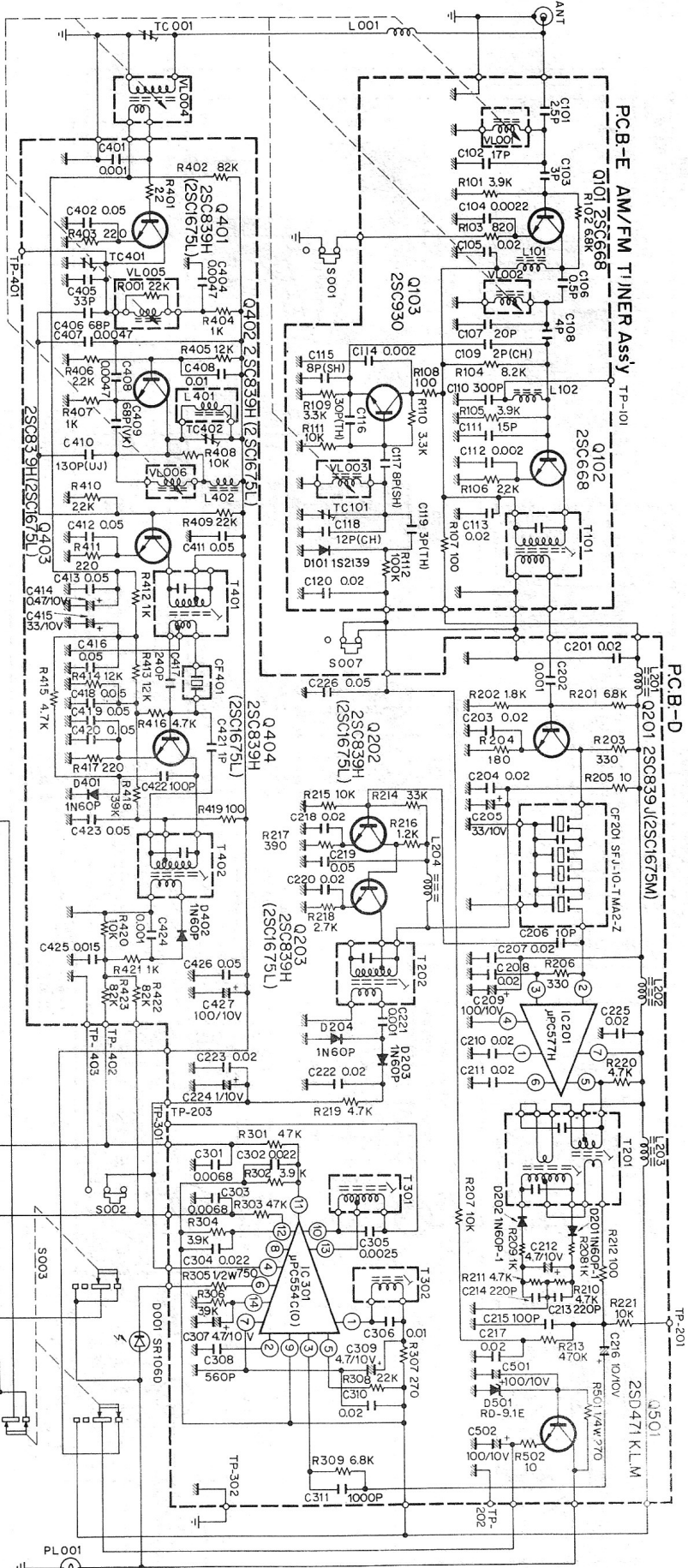
CRF-200M

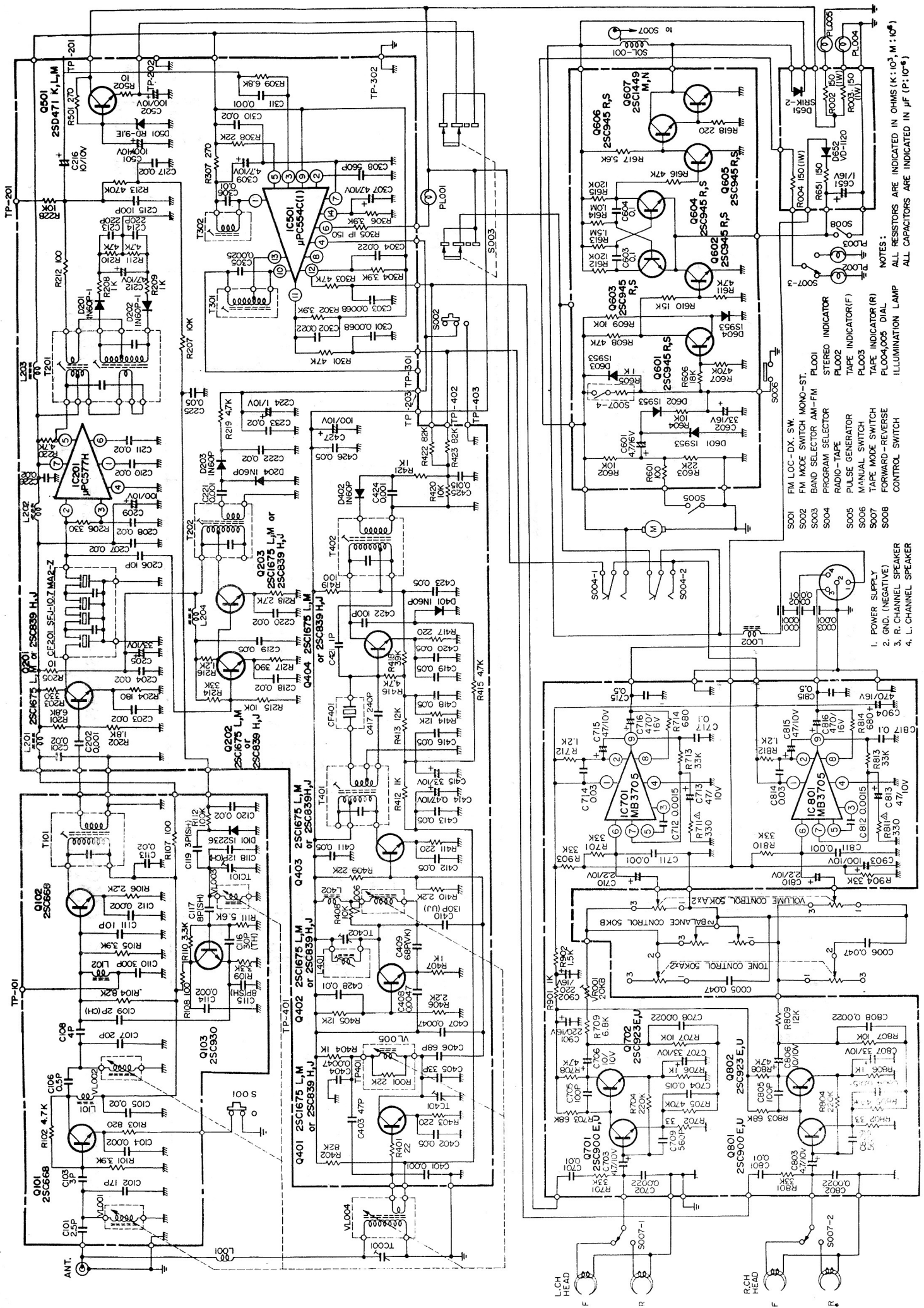


1. POWER SUPPLY  
 2. GND (NEGATIVE)  
 3. 5. CHANNEL SPEAKER  
 4. CHANNEL SPEAKER
- S001 FM LOCAL-DISTANCE SWITCH LO-DX  
 S002 FM MODE SWITCH MONO-ST  
 S003 BAND SELECTOR SWITCH AM-OFF-FM  
 S004 PROGRAM SELECTOR SWITCH RADIO-TAPE  
 S005 PULSE GENERATOR  
 S006 TIMING SWITCH  
 S007 AFC SWITCH ON-OFF  
 D001 STEREO INDICATOR  
 D002 TAPE INDICATOR  
 PLO01 ILLUMINATION LAMP
- NOTES  
 ALL RESISTORS ARE INDICATED IN OHMS (K---10<sup>3</sup>)  
 ALL CAPACITORS ARE INDICATED IN μF (P---10<sup>6</sup>)

PCB-A

PCB-B

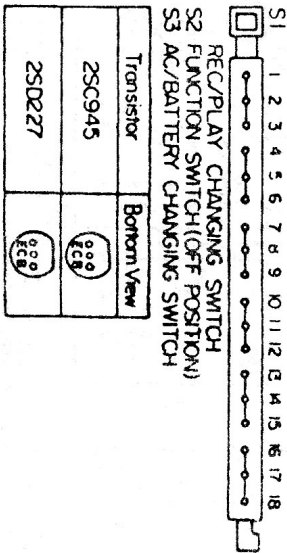
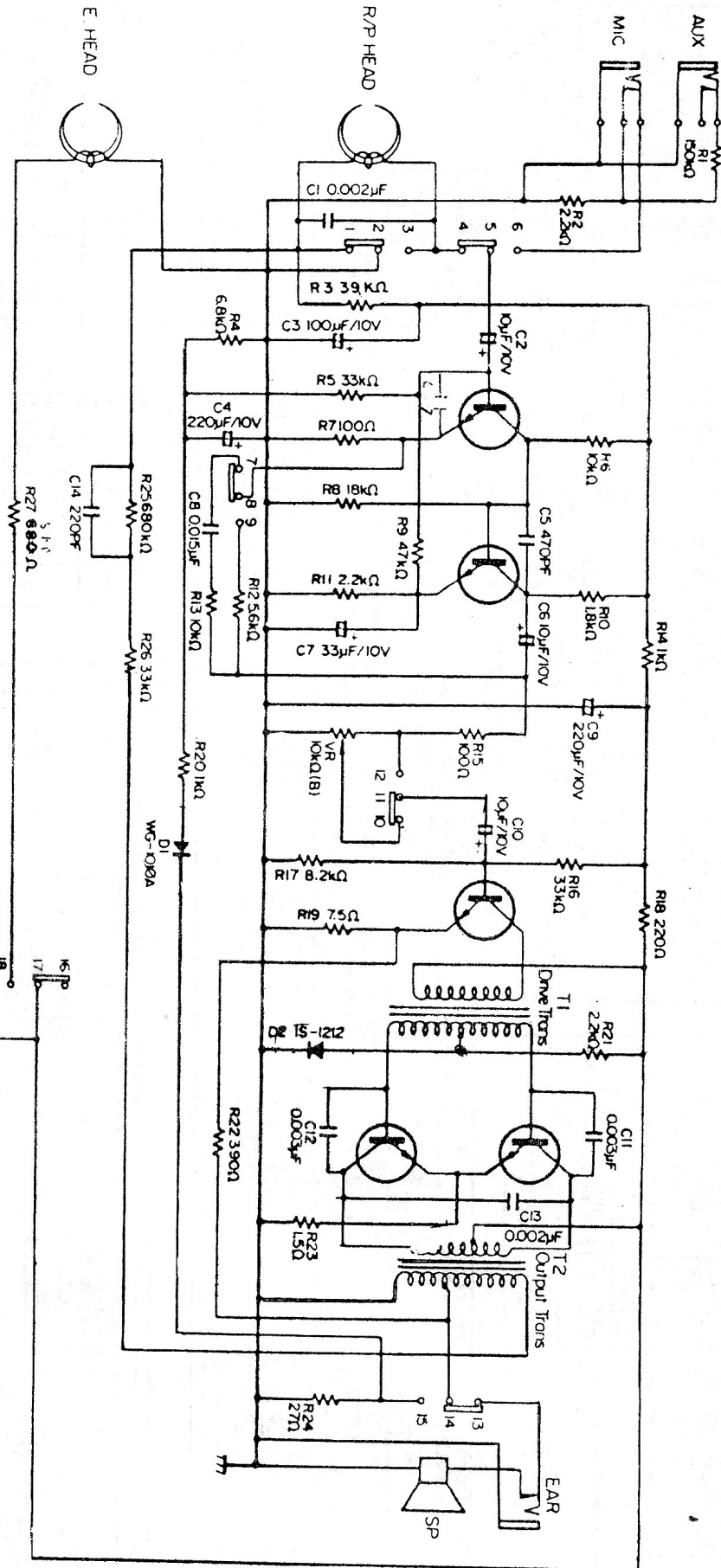




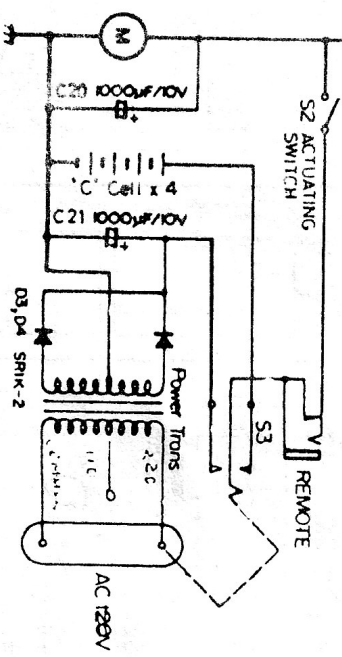
TRANSCORDER - MOD. CT-1039

Tr1 2SC945      Tr2 2SC945      Tr3 2SC945      Tr4,5 2SD227x2

DI-1039 NO.1010 & 1011



Transistor	Bottom View
2SC945	
2SD227	



EXACT VALUE OF EACH COMPONENT TO BE DETERMINED AFTER PREPRODUCTION