

# MICRO COMPUTADOR UNITRON (APPLE II)

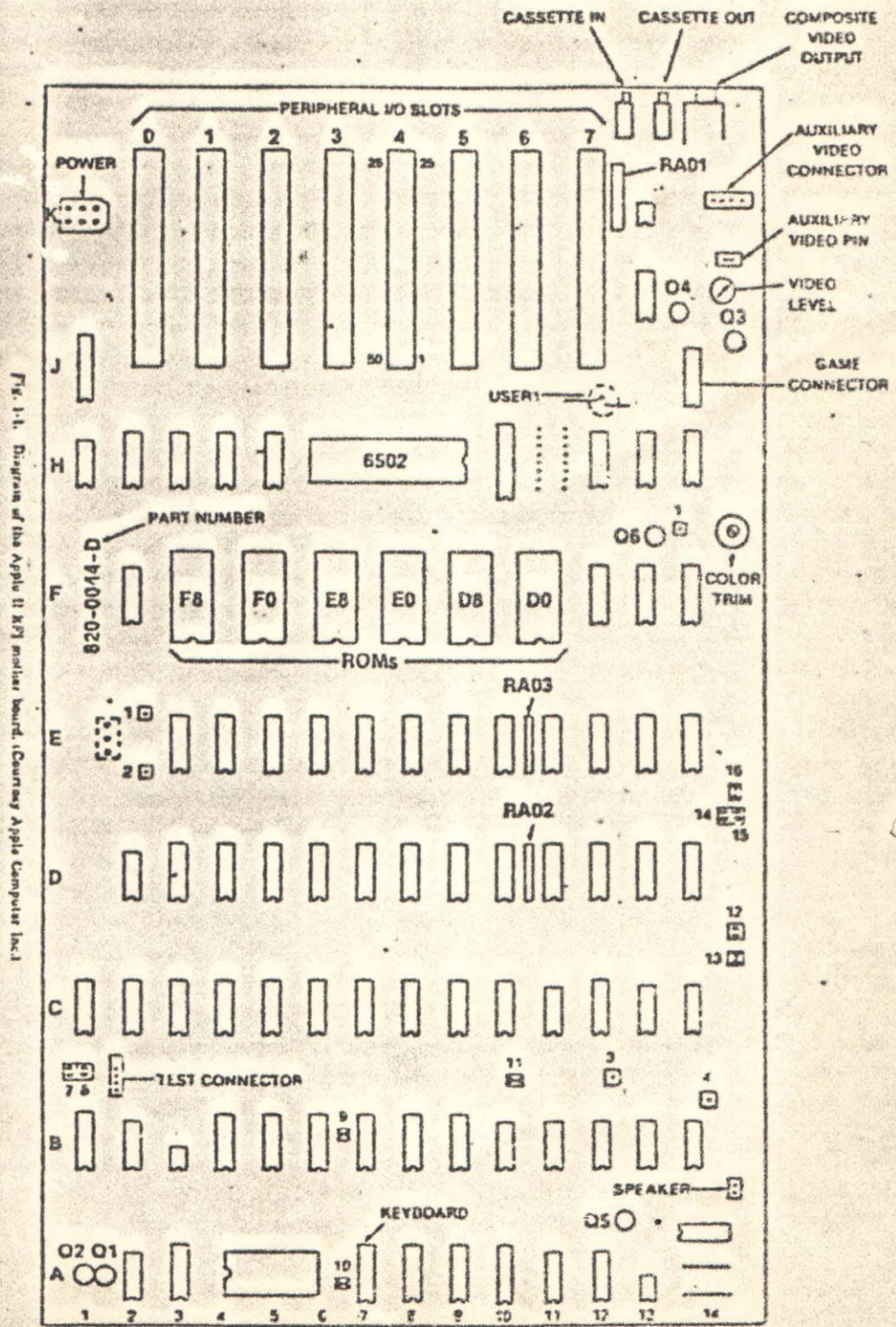


FIG. 1-1. Diagram of the Apple II K19 mother board. (Courtesy Apple Computer Inc.)

①

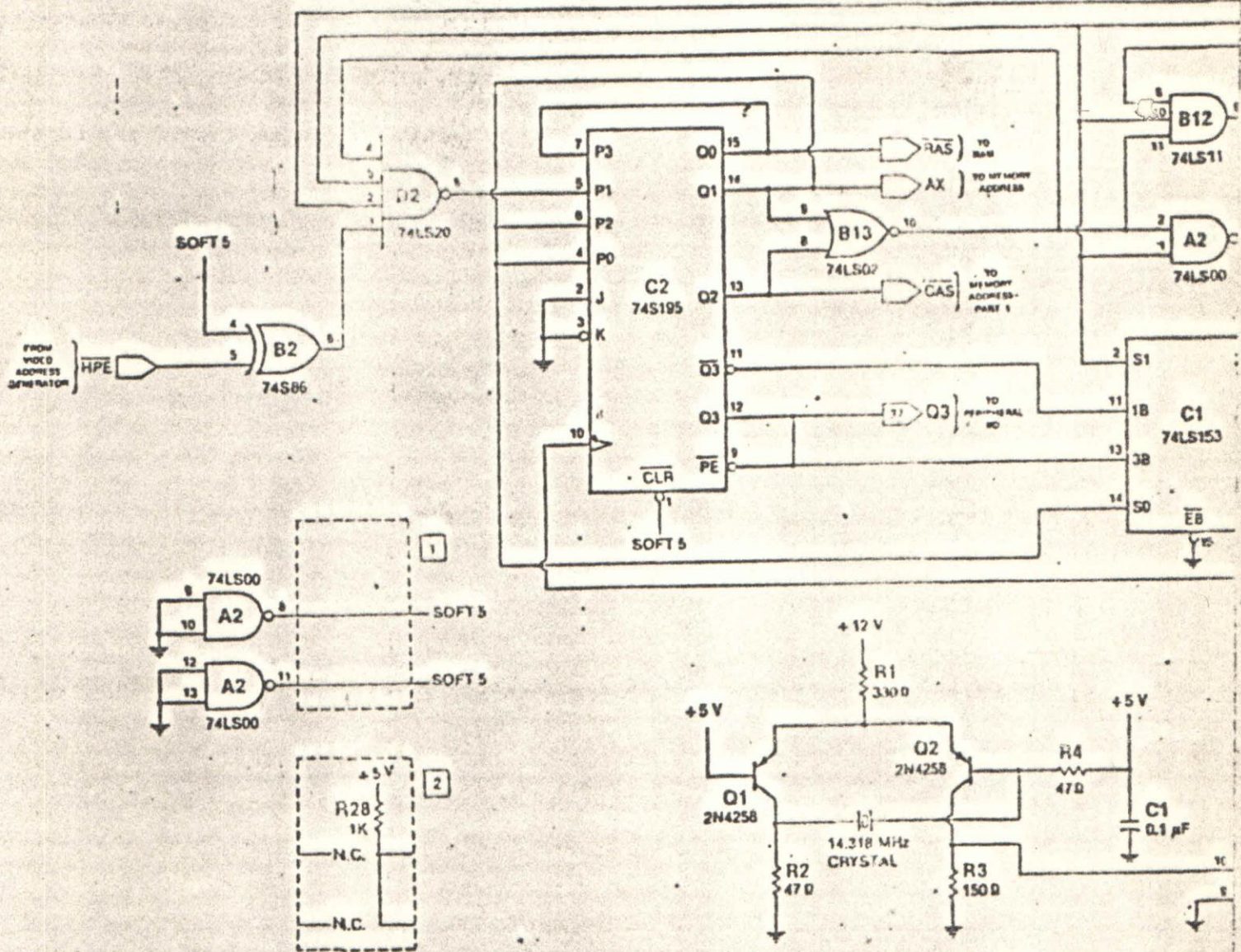
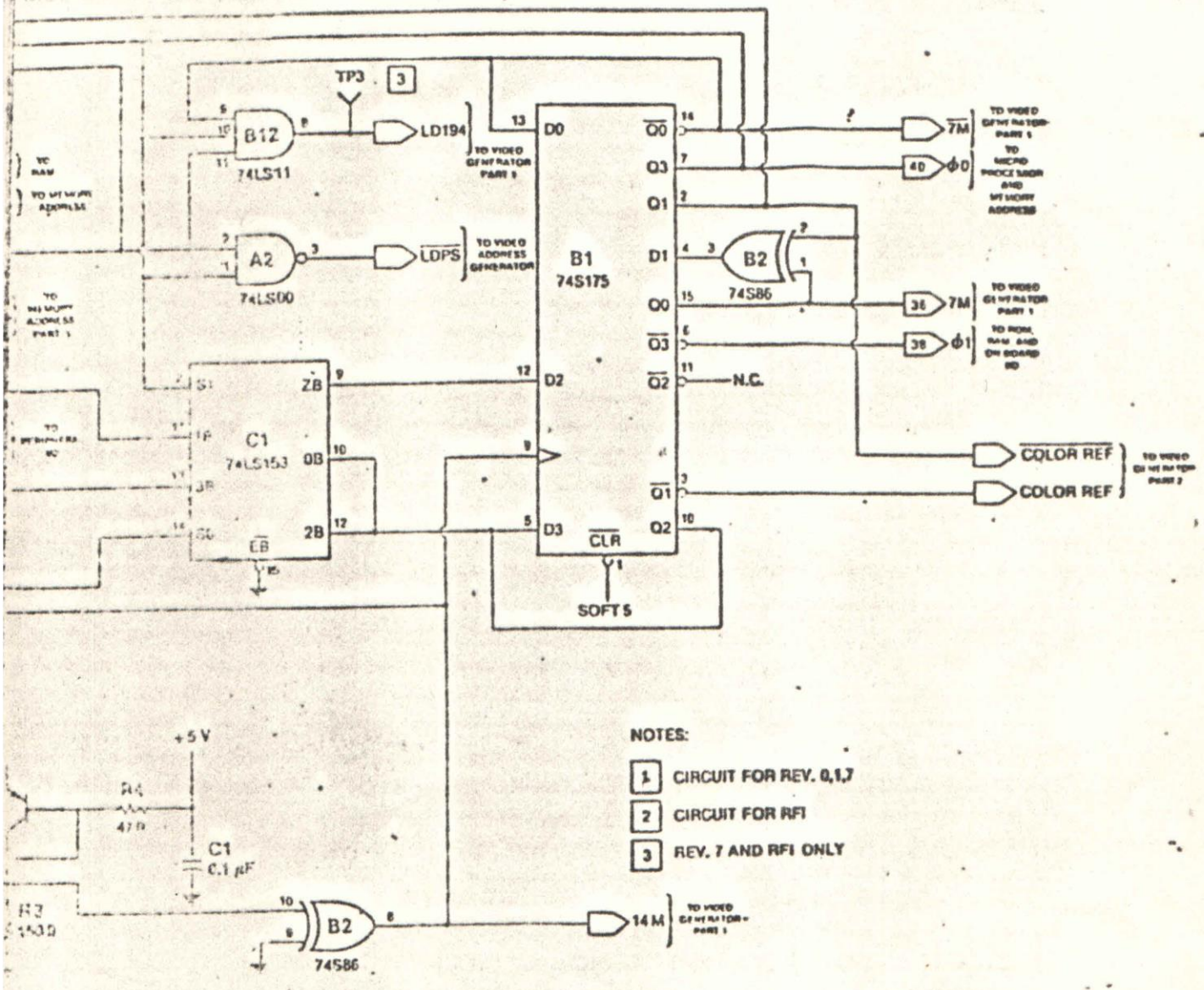


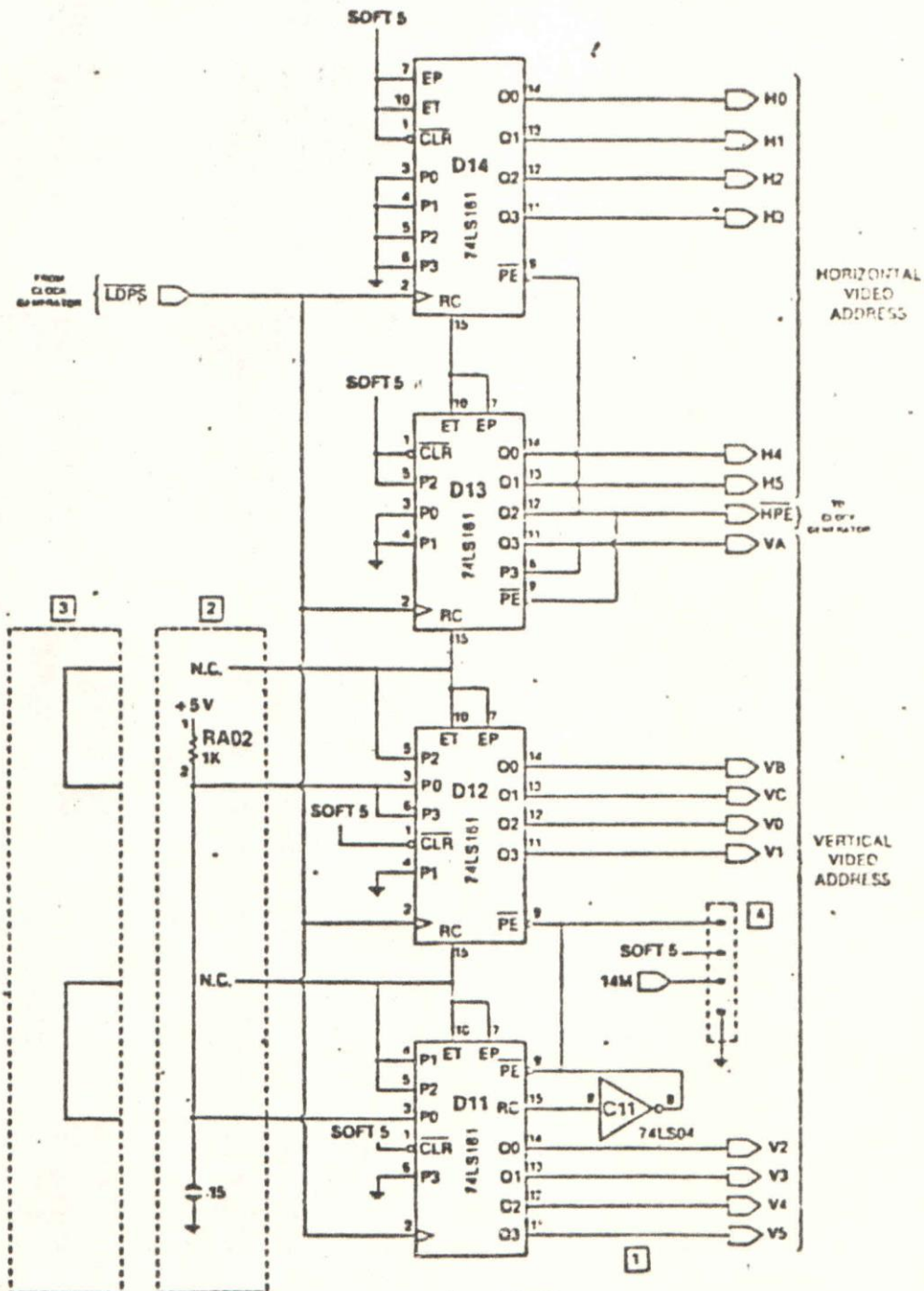
Fig. C-8. Clock generator full revision



- NOTES:
- 1 CIRCUIT FOR REV. 0,1,7
  - 2 CIRCUIT FOR RFI
  - 3 REV. 7 AND RFI ONLY

Fig. C.3. Clock generator (left revision)

Fig. C-8. Video address generator (all revisions)



NOTES:

- 1 D11-13 NOT CONNECTED ON REV. 0
- 2 CIRCUIT FOR REV. 1,7,RF1
- 3 CIRCUIT FOR REV. 0
- 4 TEST CONNECTOR NEAR B2 ON SOME RFI BOARDS. A SIMILAR CONNECTOR WITH DIFFERENT CONNECTIONS MAY APPEAR ON REV. 7 BOARDS

A

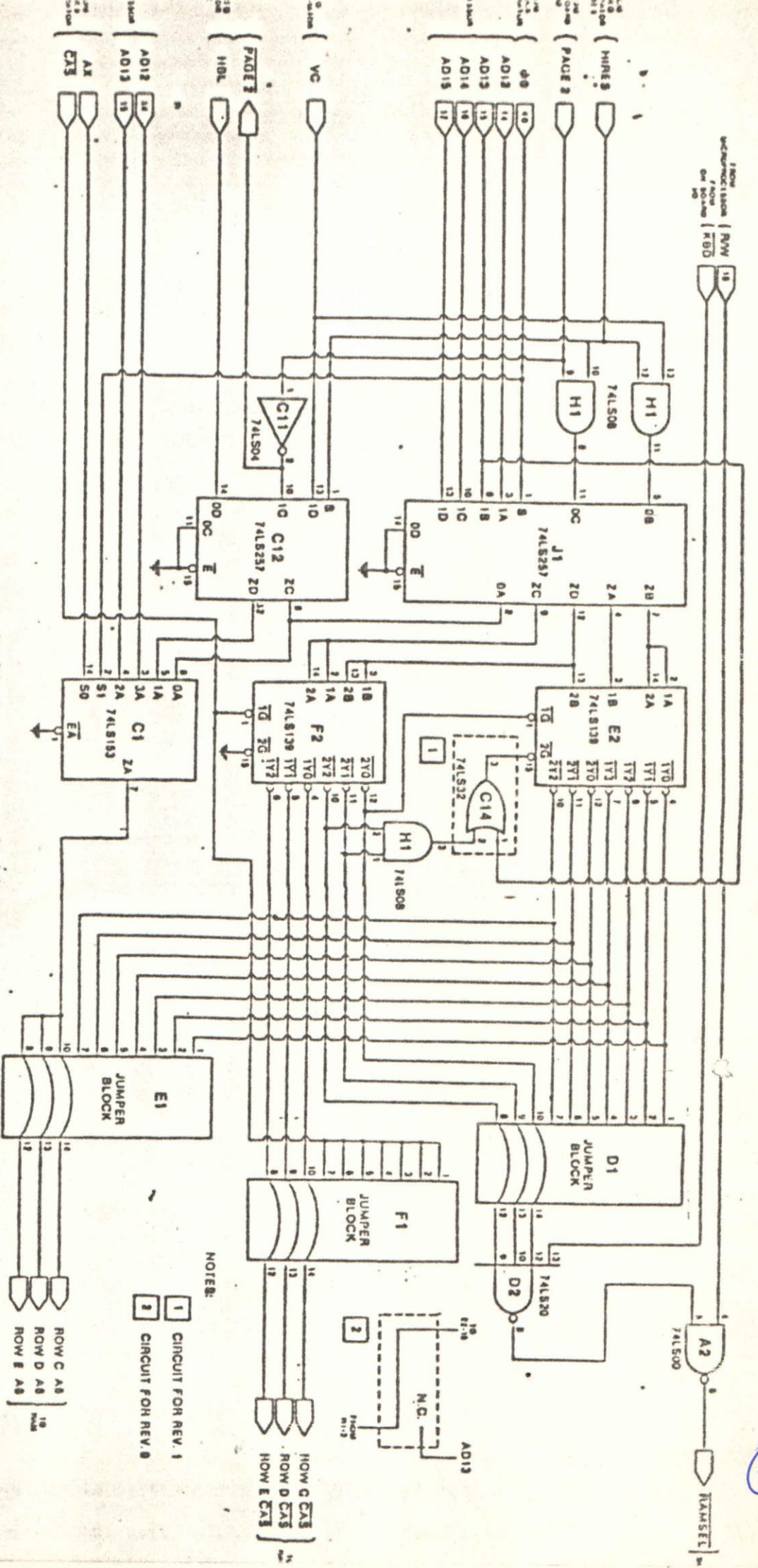


Fig. C-4. Memory address—part 1 (Rev. 8/11)

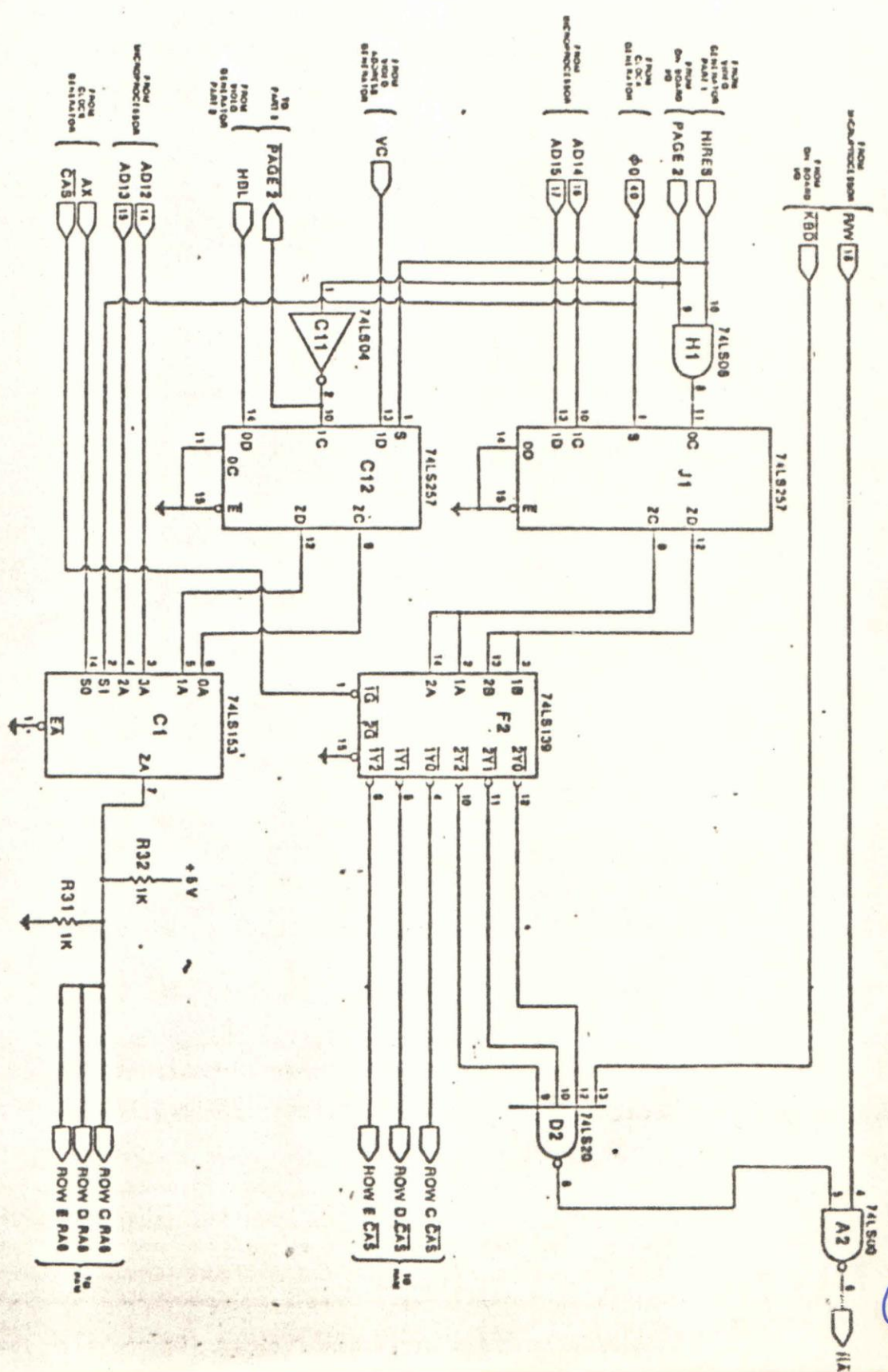
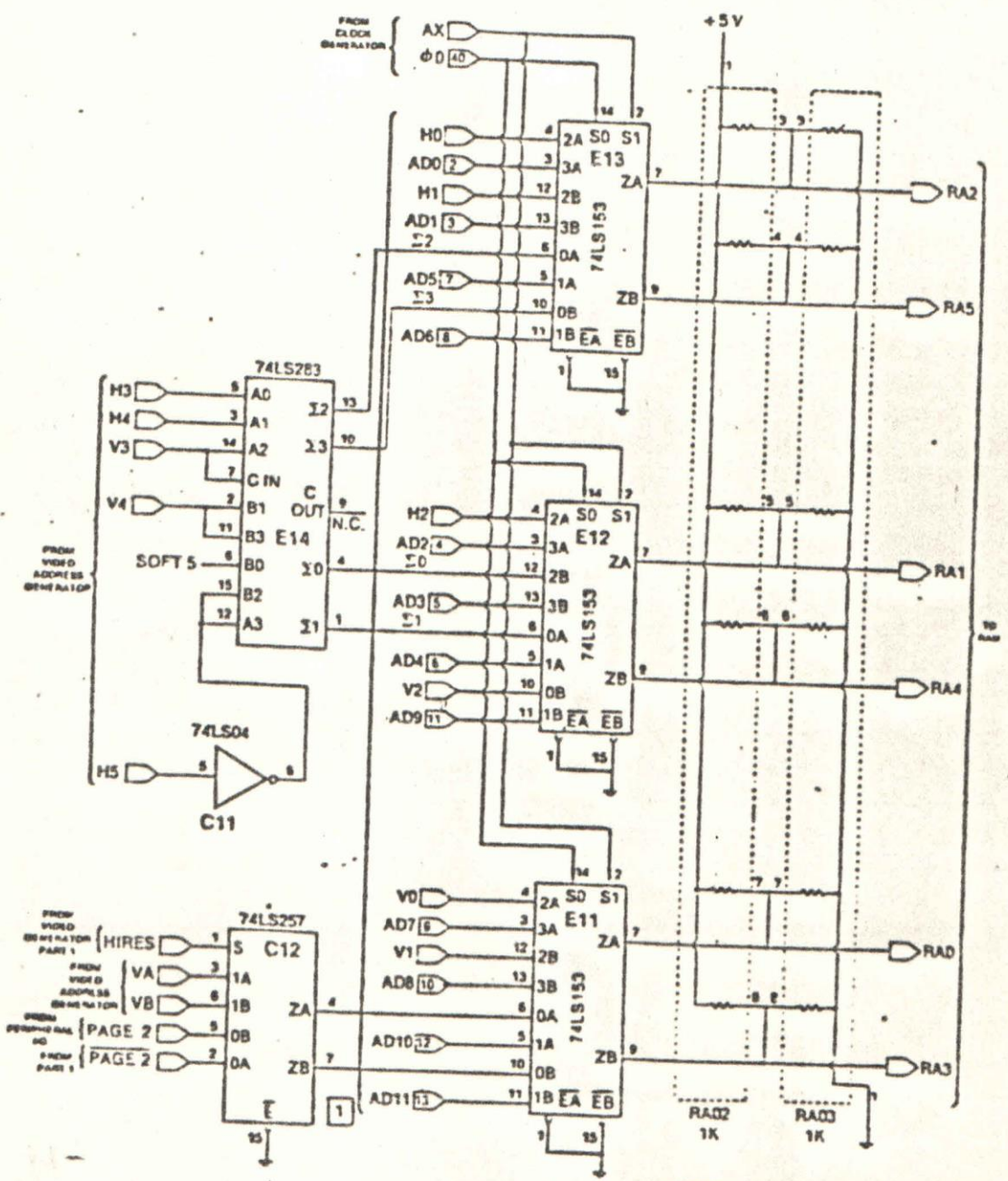


Fig. C-8. Memory address—part 1, Rev. 1, WP/11.

2

Fig. C-4. Memory address - part 2 (all revisions).



NOTES:  
 1 AD SIGNALS ARE FROM MICROPROCESSOR. H AND V SIGNALS ARE FROM VIDEO ADDRESS GENERATOR.

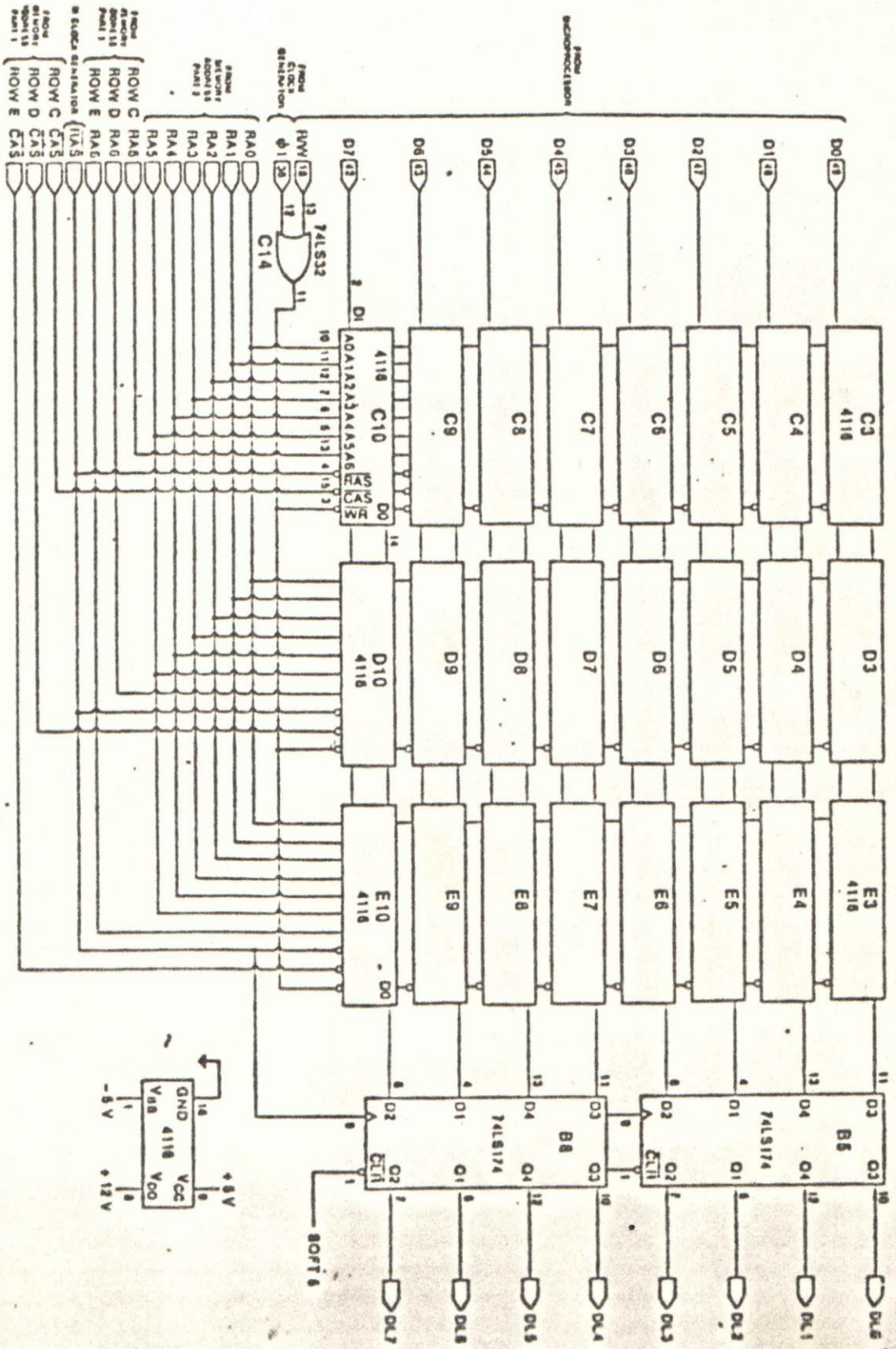


FIG. C-1. RAM (all revisions).

80  
 P. H. ...  
 ...  
 ...





Fig. C-4. Microprocessor - Part 8, 1, 7.

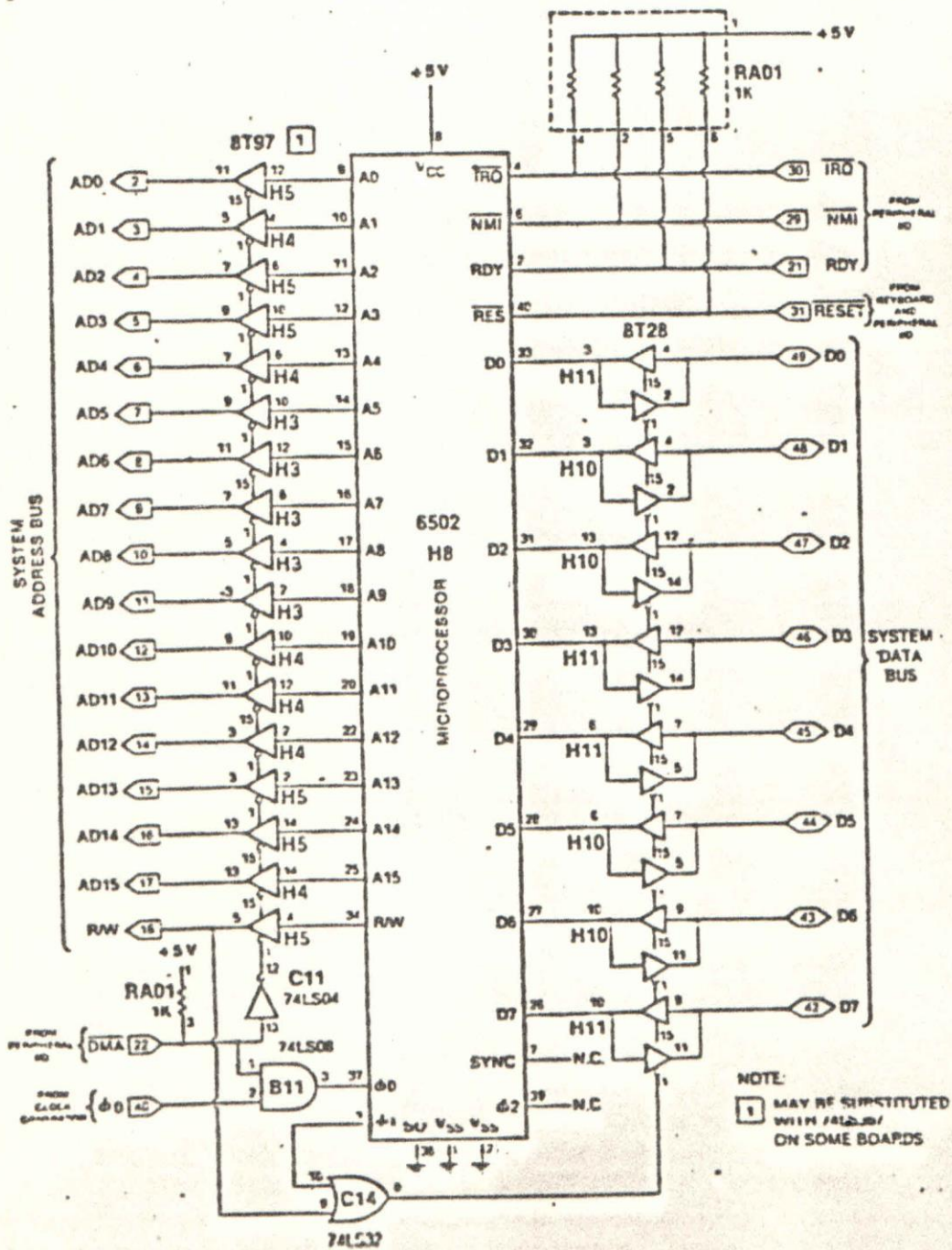
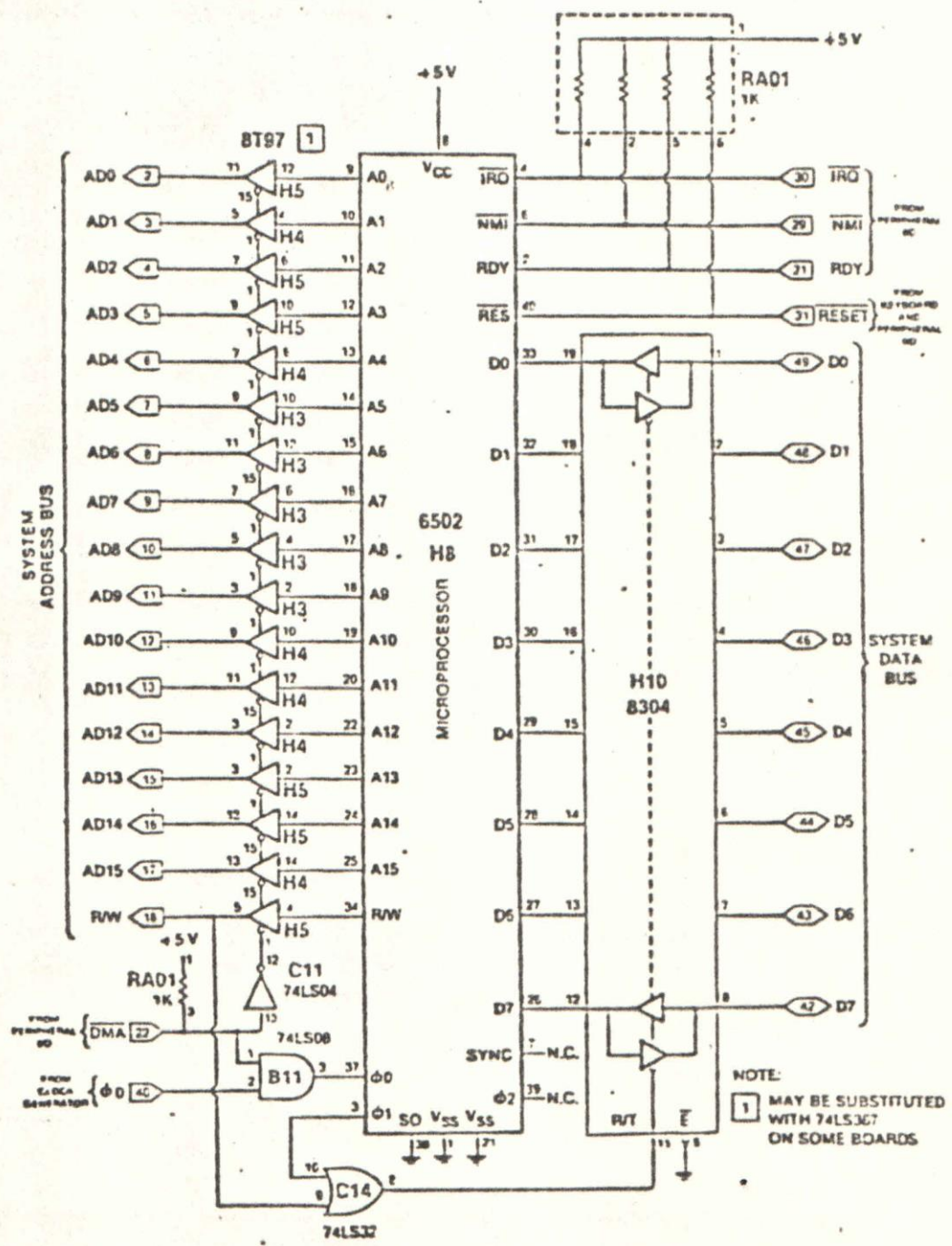


Fig. C-8. Microprocessor 18V1A



NOTE:  
 1 MAY BE SUBSTITUTED WITH 74LS367 ON SOME BOARDS



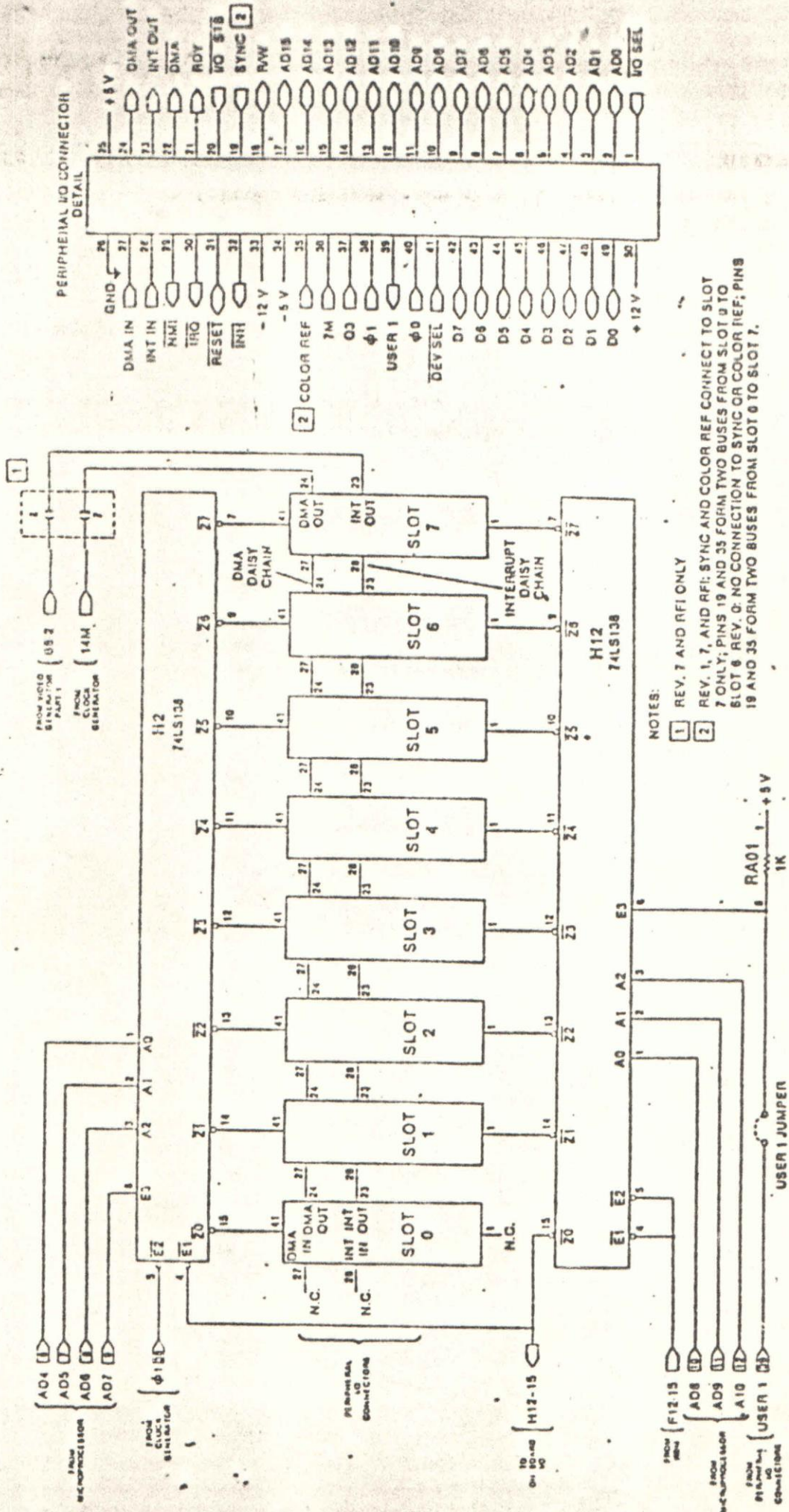
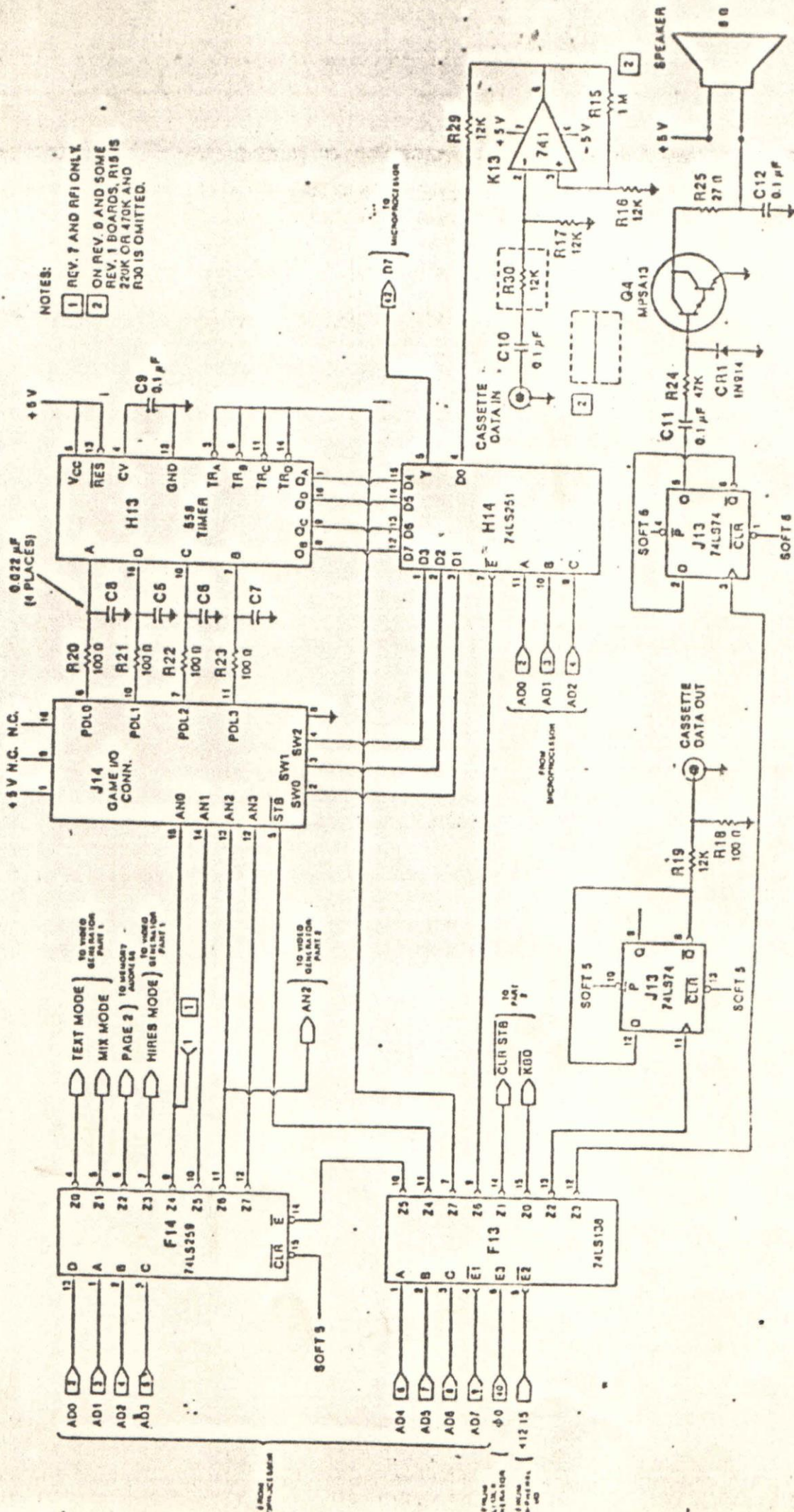


Fig. C-11. Peripheral I/O (eB revision).



NOTES:  
 1 RCV. 7 AND RFI ONLY.  
 2 ON REV. 0 AND SOME REV. 1 BOARDS, R15 IS 220K OR 470K AND R30 IS OMITTED.

Fig. C-12. On board IC - part 1 (all revisions).

13

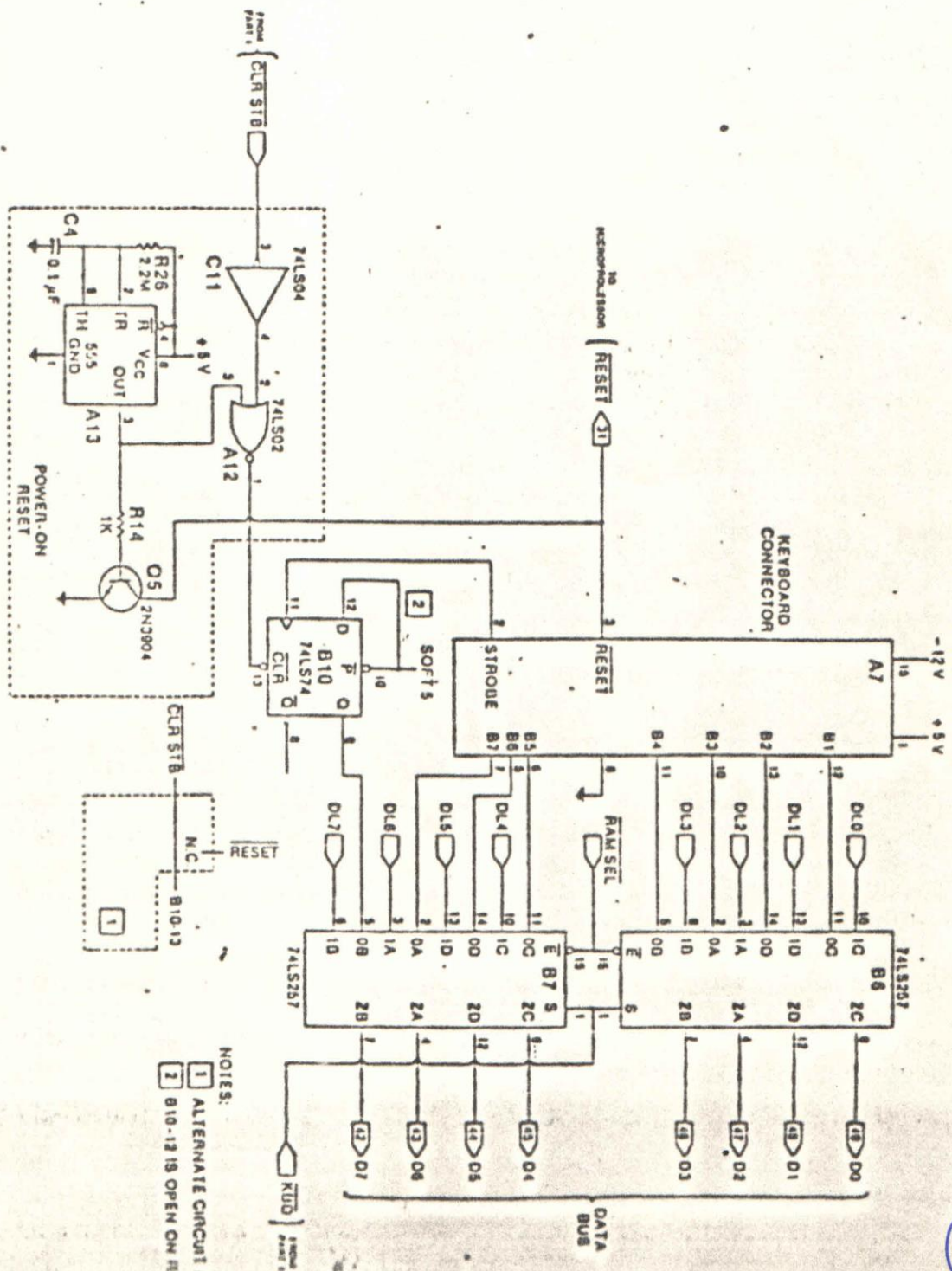


Fig. C-13. On-board I/O - part 2 - all revisions

- NOTES:
- 1 ALTERNATE CIRCUIT FOR REV. 0
  - 2 B10-12 19 OPEN ON REV. 0

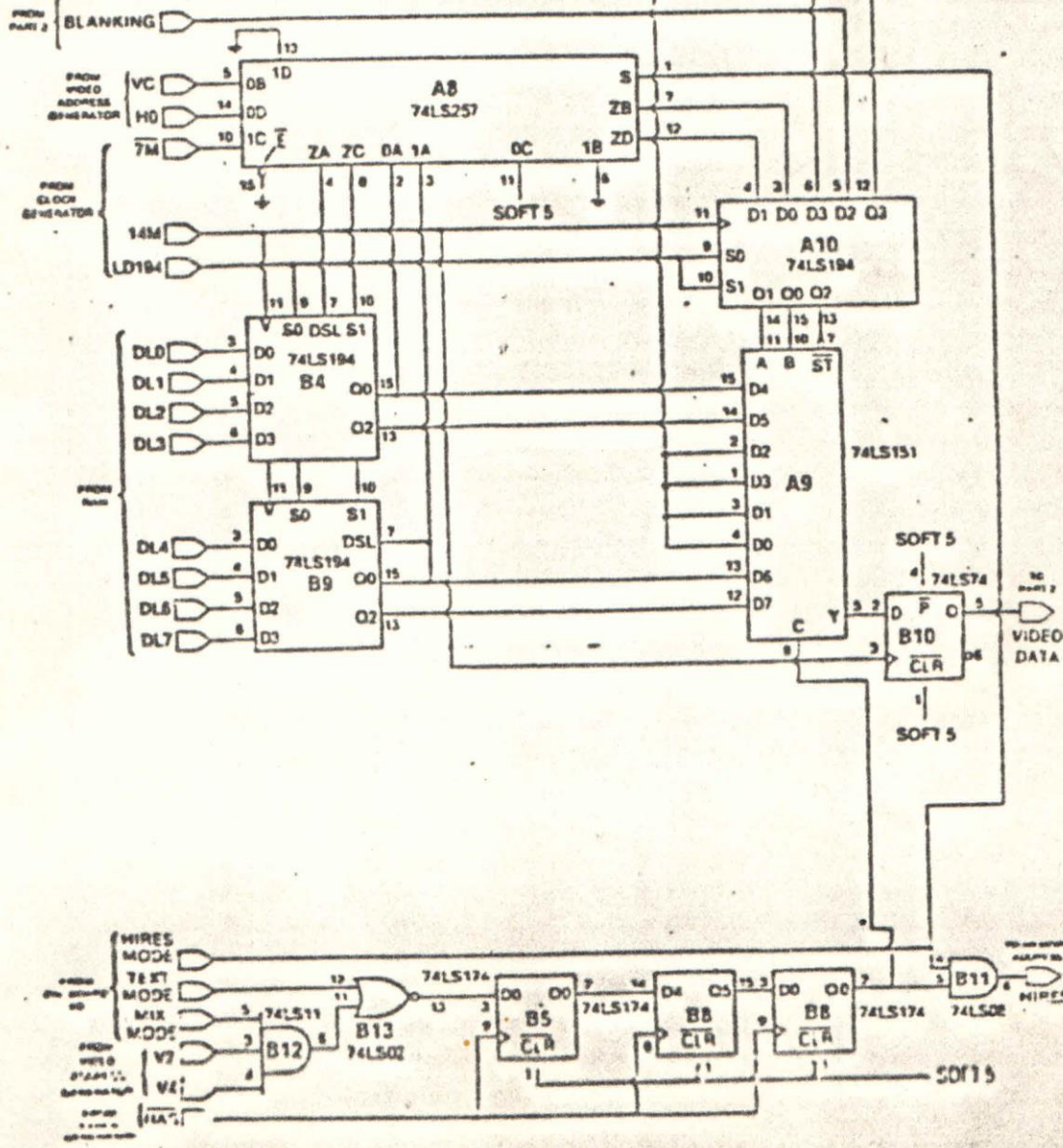
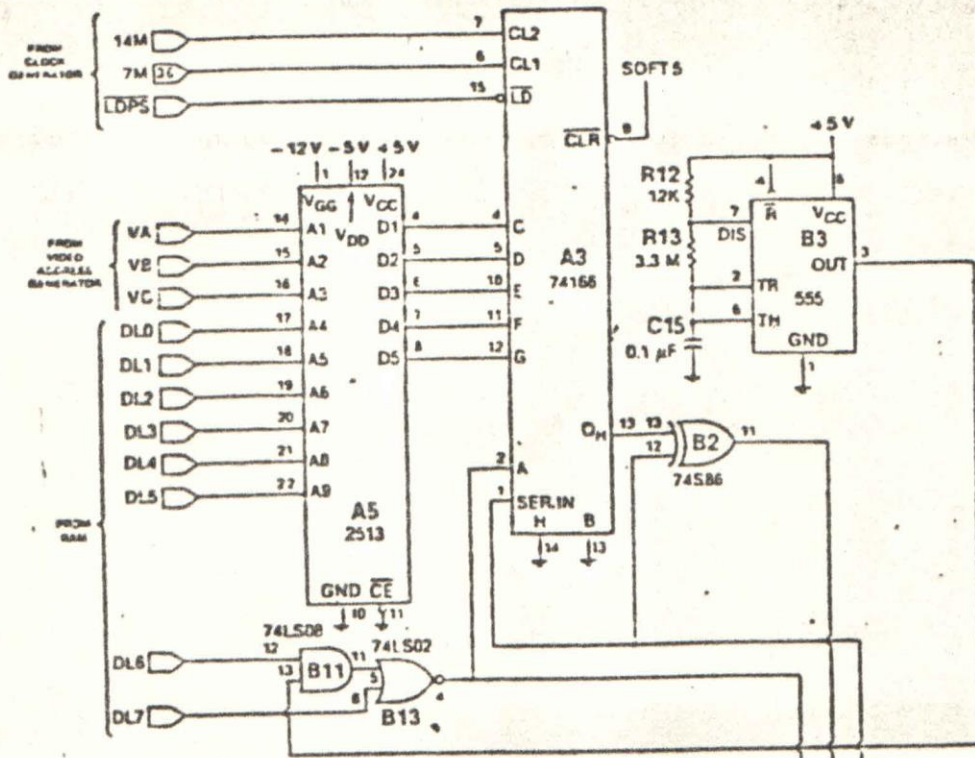


Fig. C-14. Video generator - part 1 (cont. of Fig. C-13)

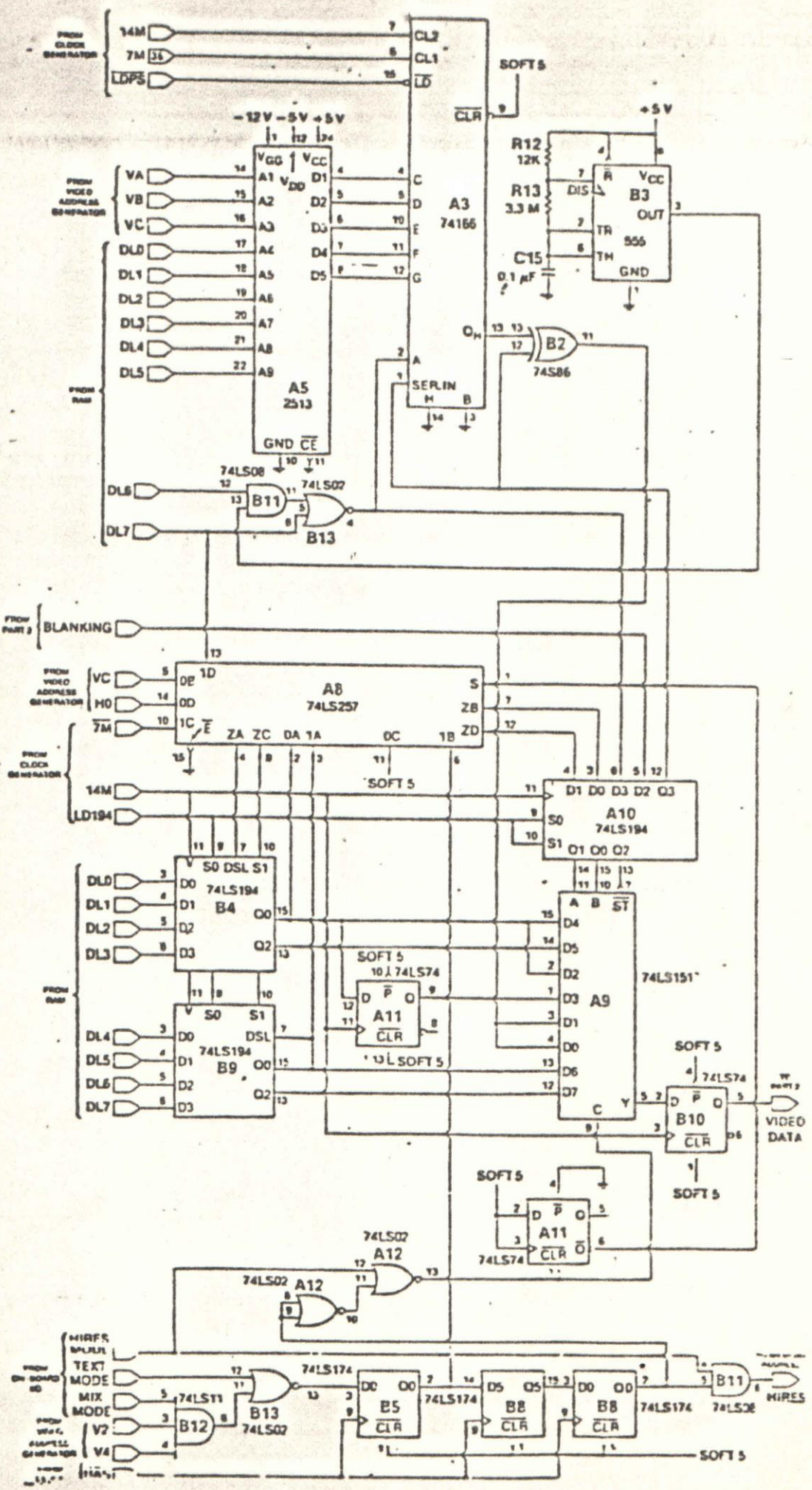


Fig. C-1A. Video generator - part 1 (May 11)



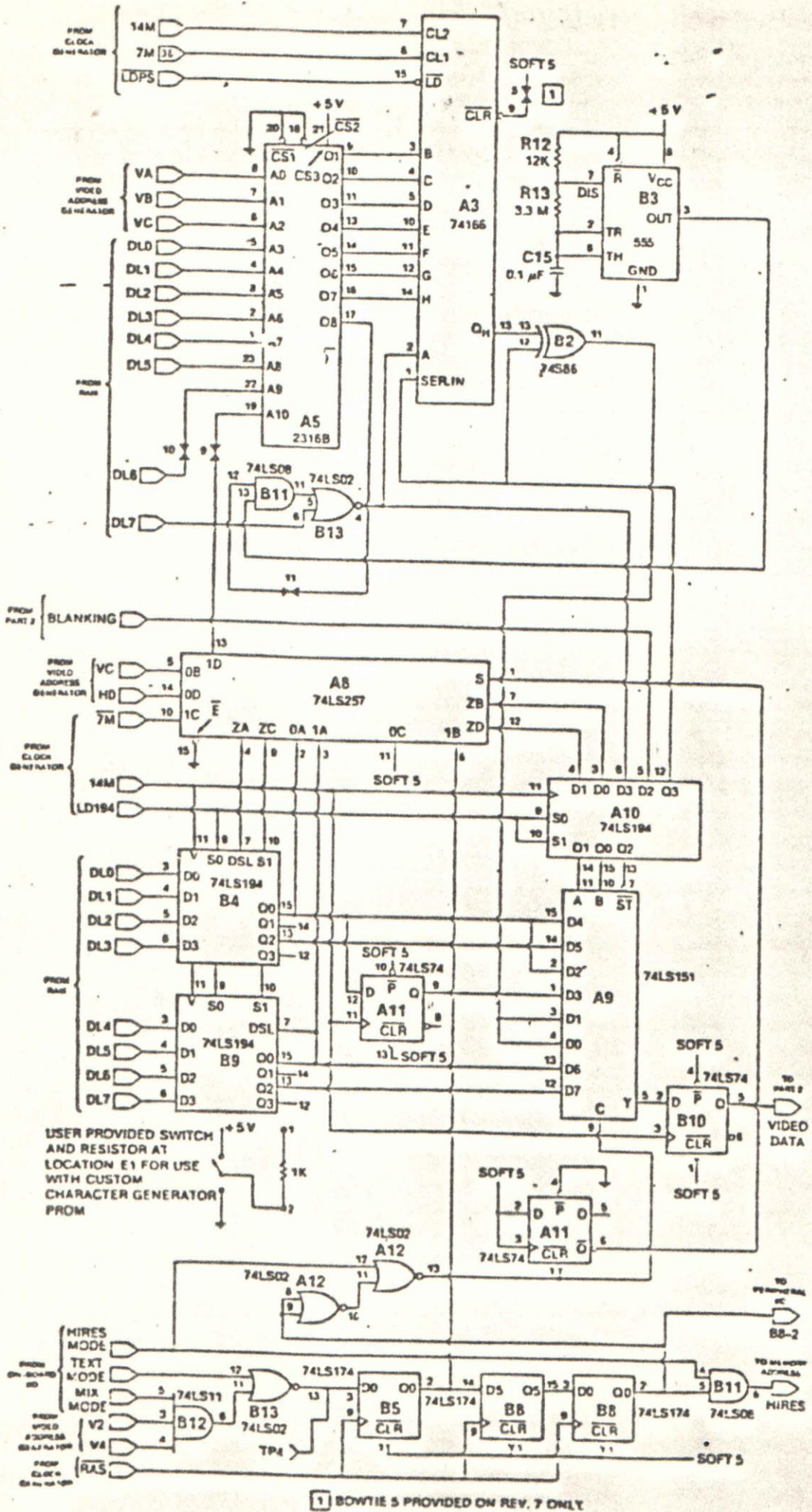


Fig. G-18 Video generator—part 1 (Rev. 7, 8/73)

1 BOWTIE 5 PROVIDED ON REV. 7 ONLY

17

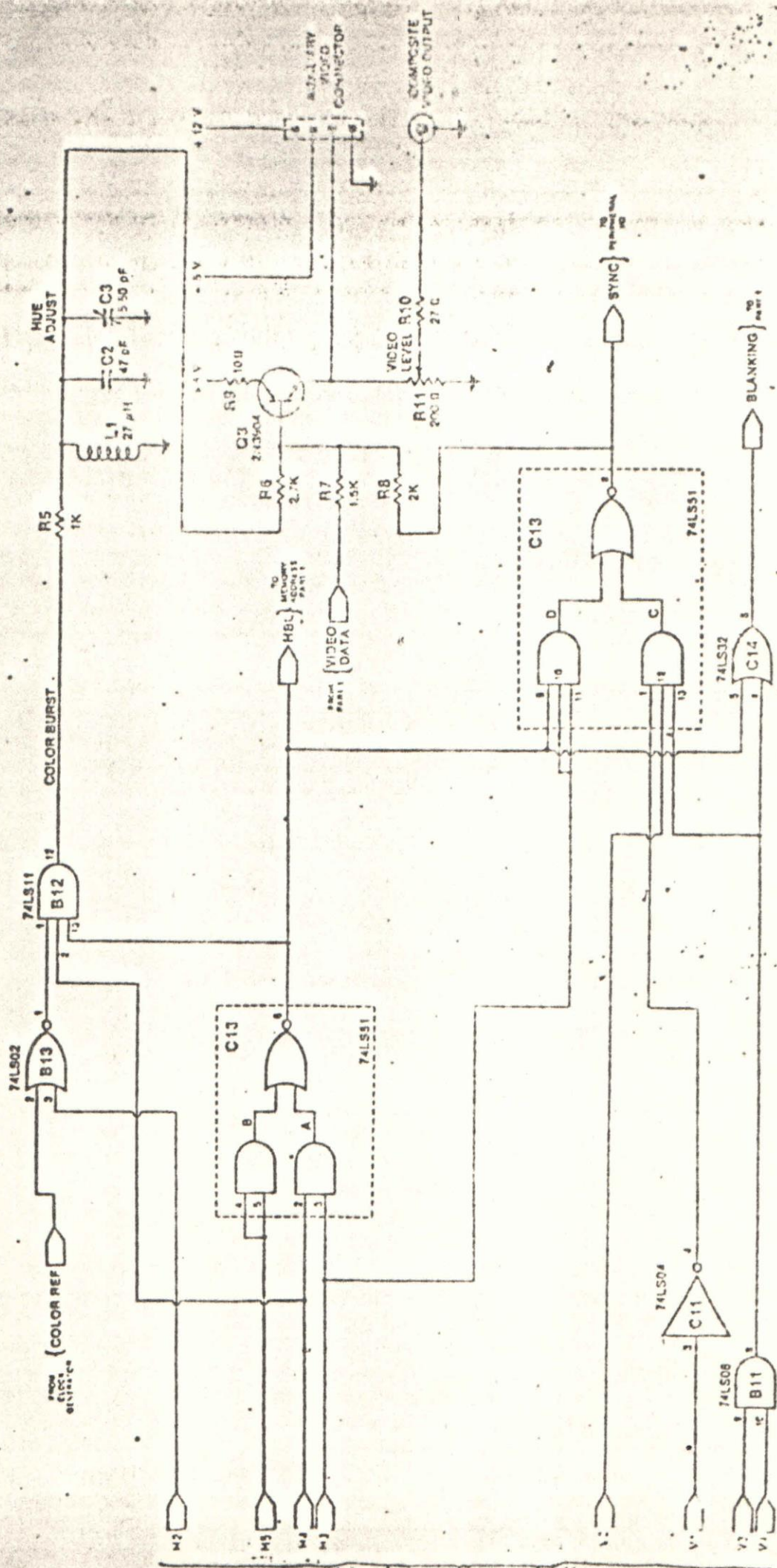


Fig. C-17. Video generator - part 2 (Rev. 0)

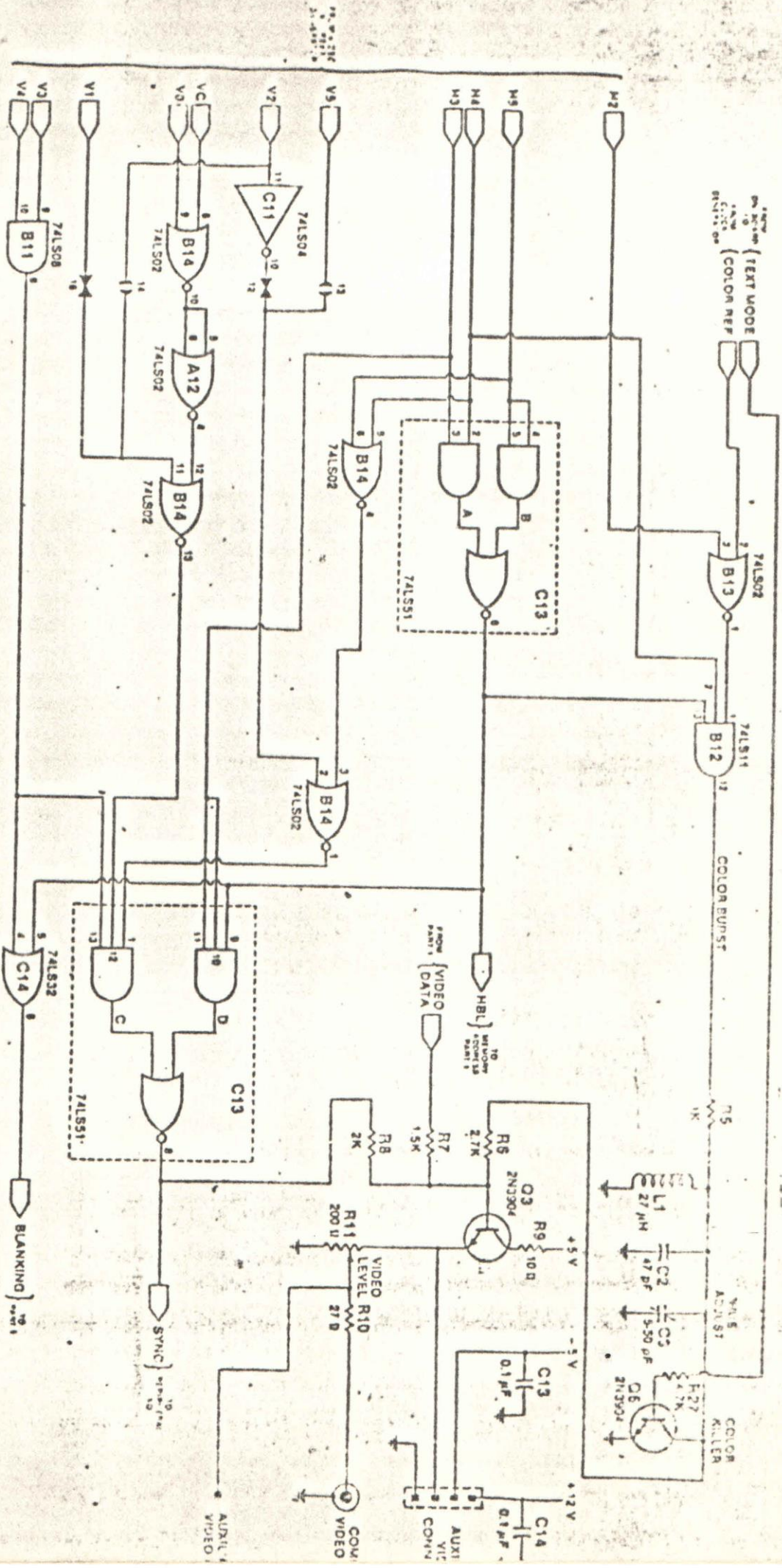


Fig. C-18. Video generator—part 2, Rev. 11

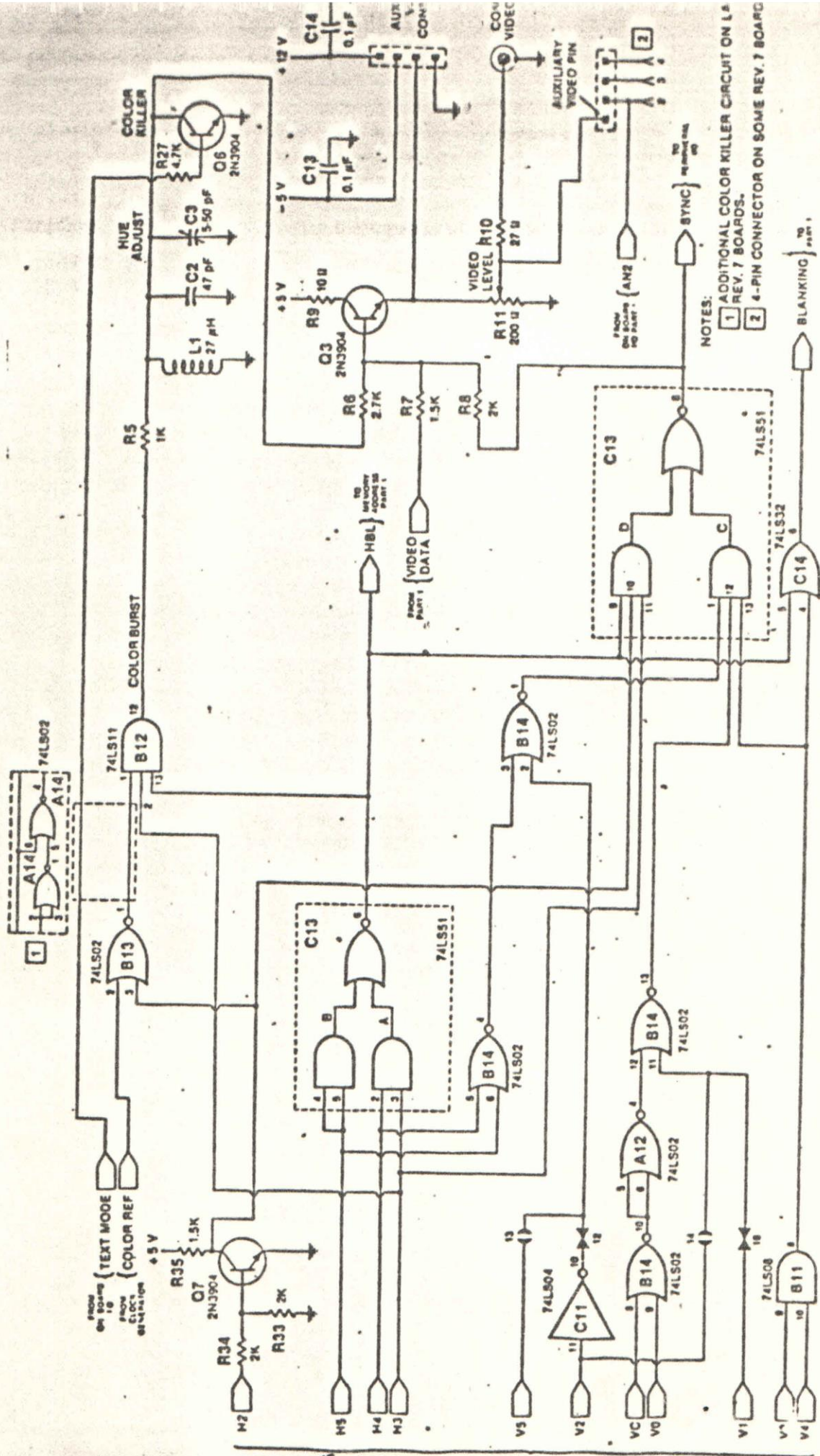


Fig. C-1B. Video generator—part 3 (Rev. 7)

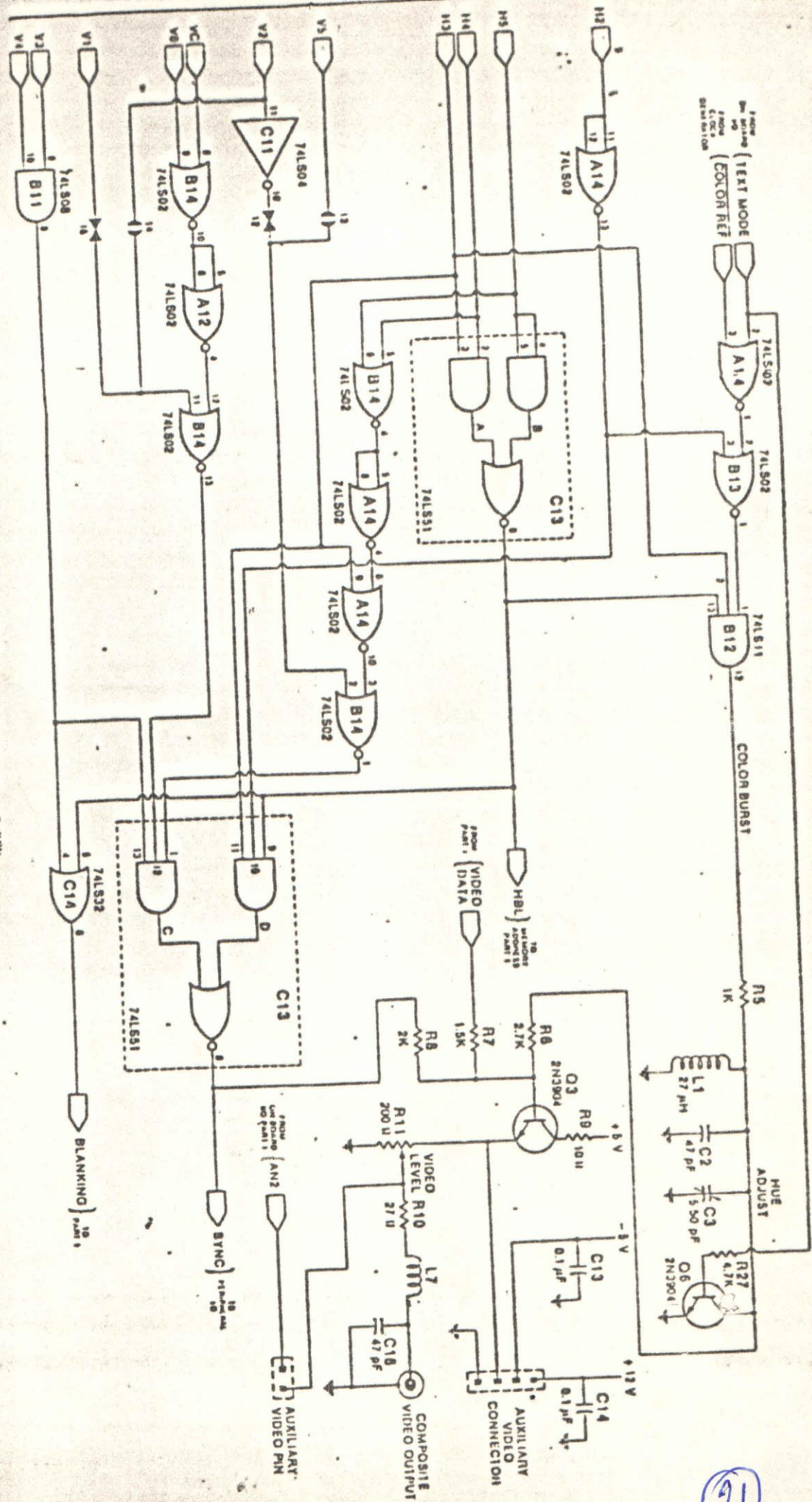


Fig. Q-2A Video generator—part 2 (18/71)

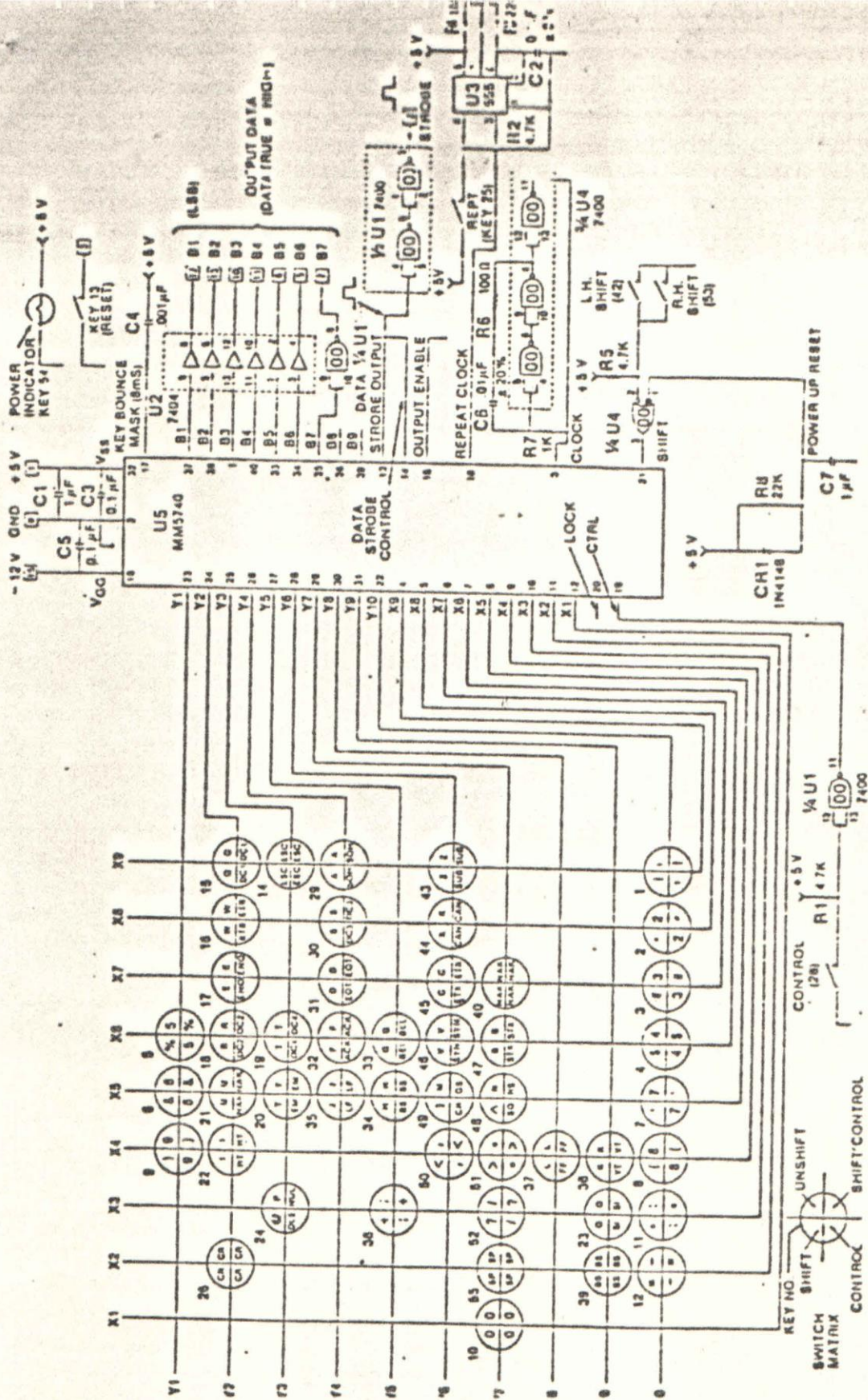


Fig. C 81. Single piece keyboard

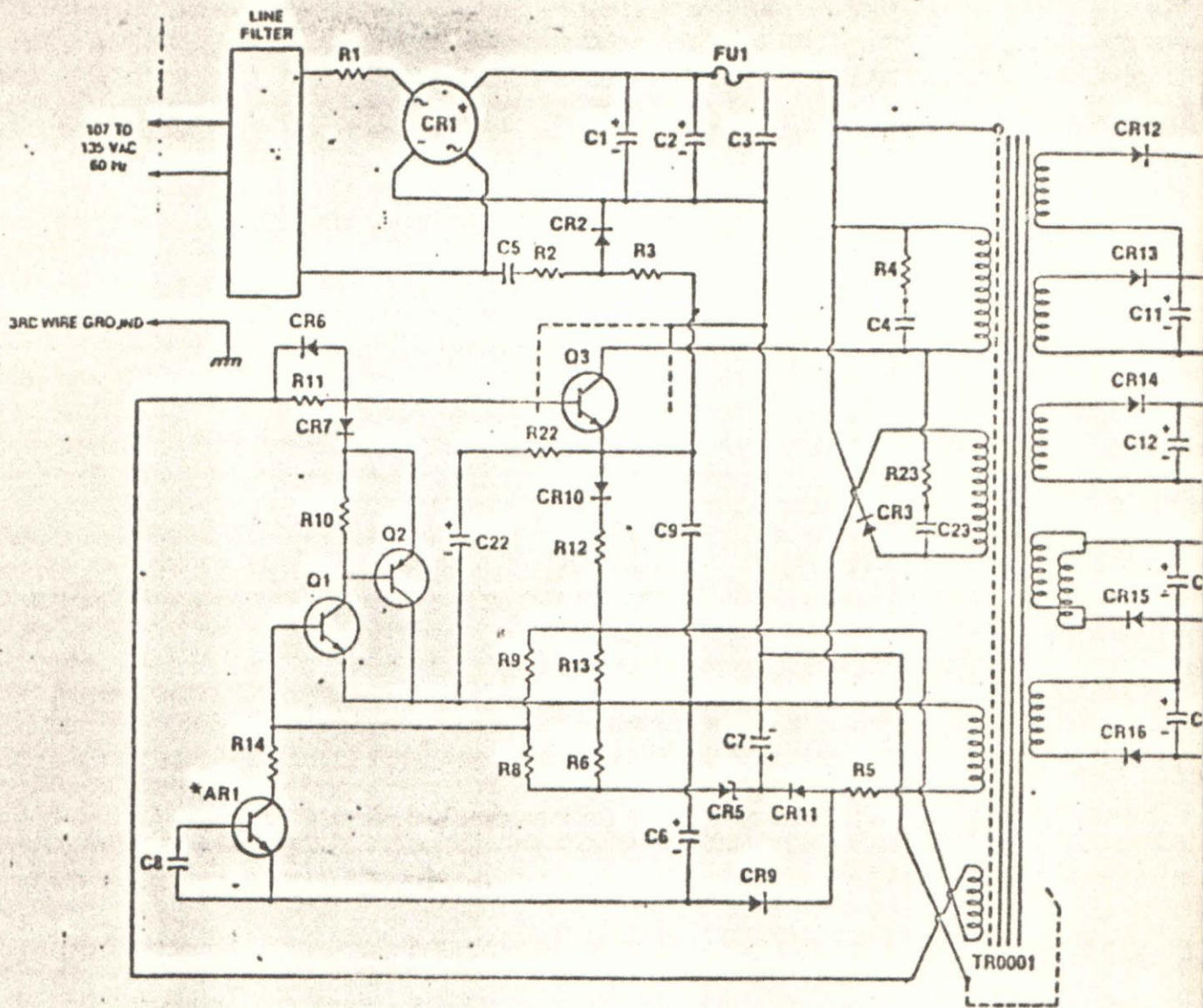


Fig. C-32. Power supply.

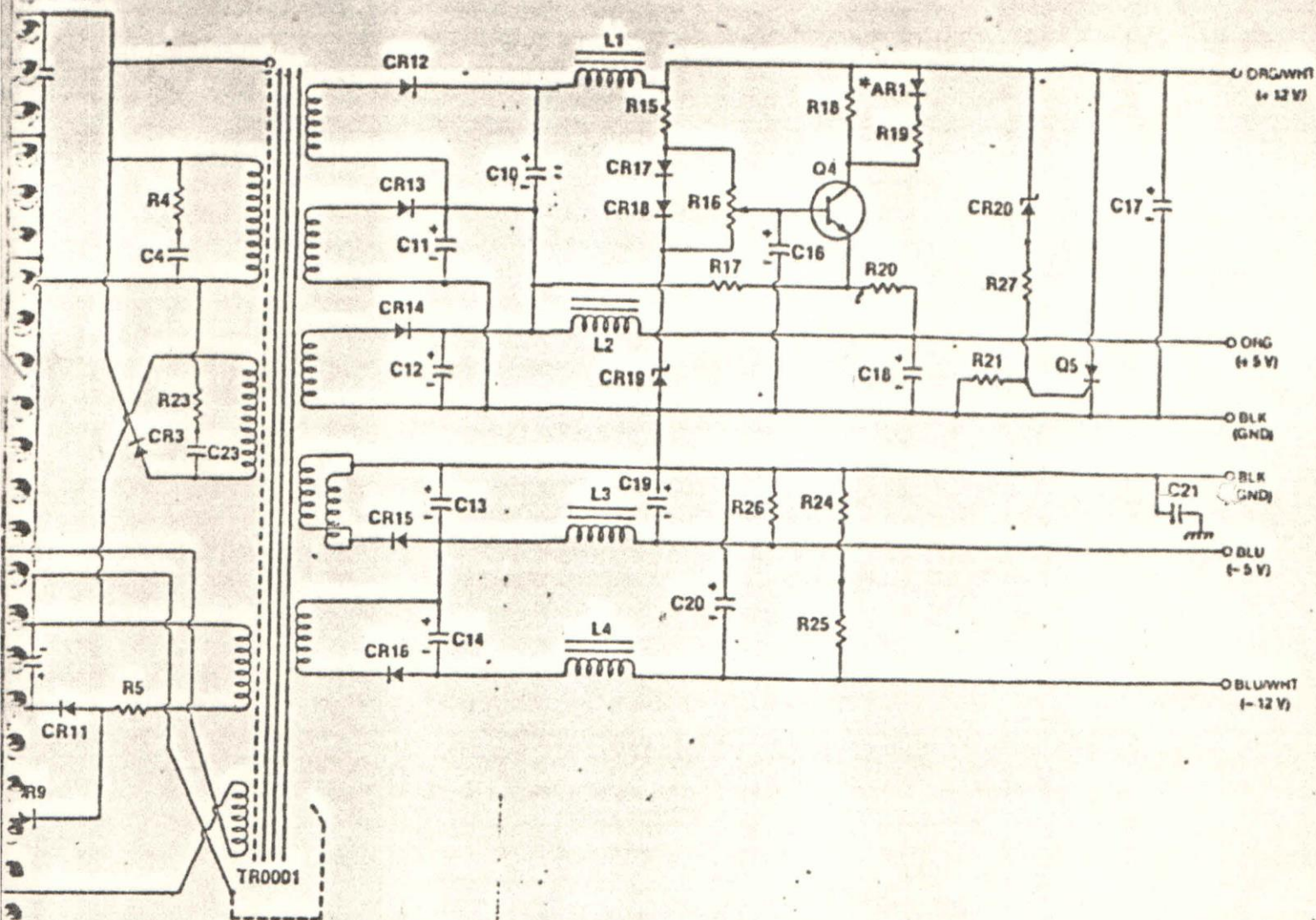
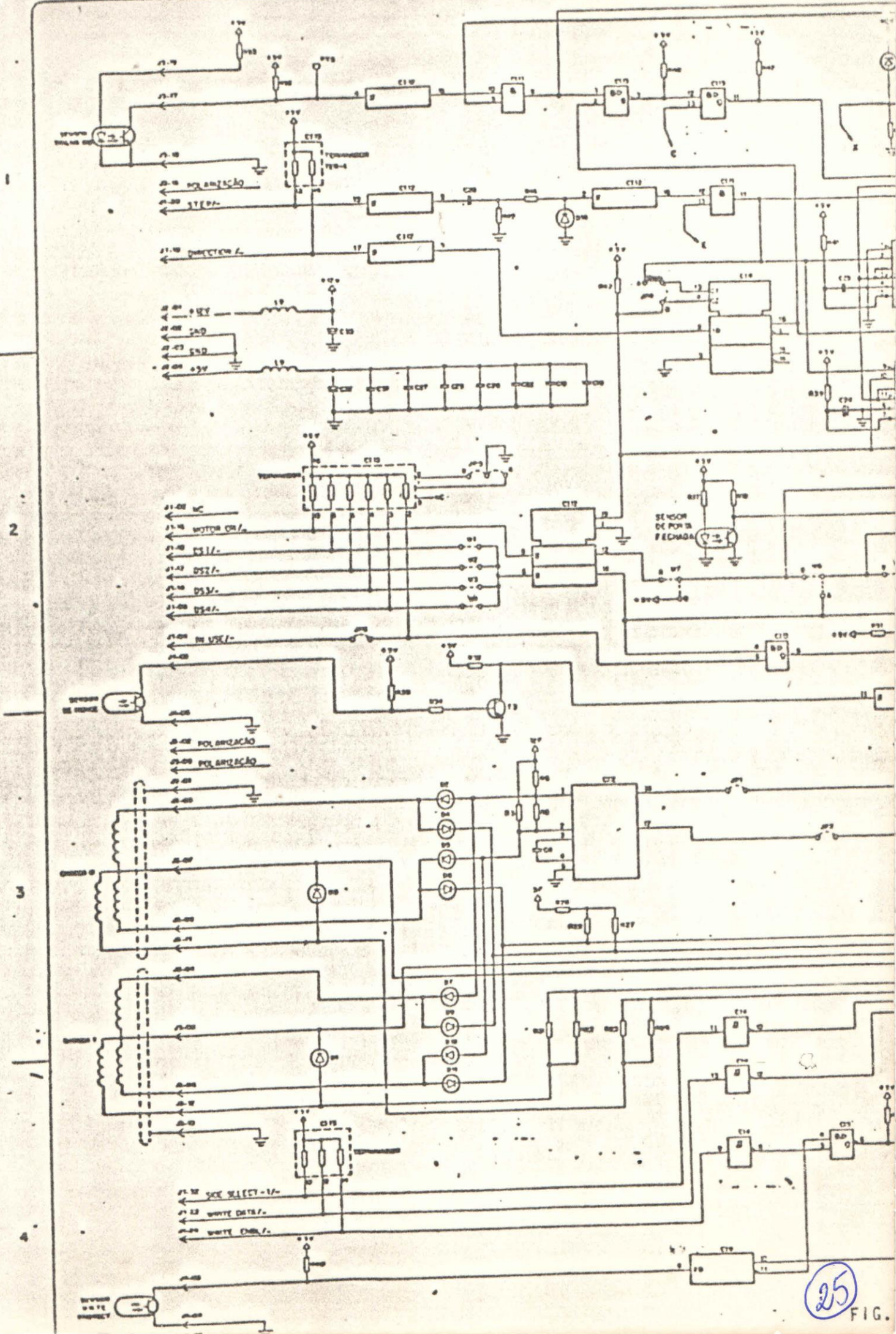


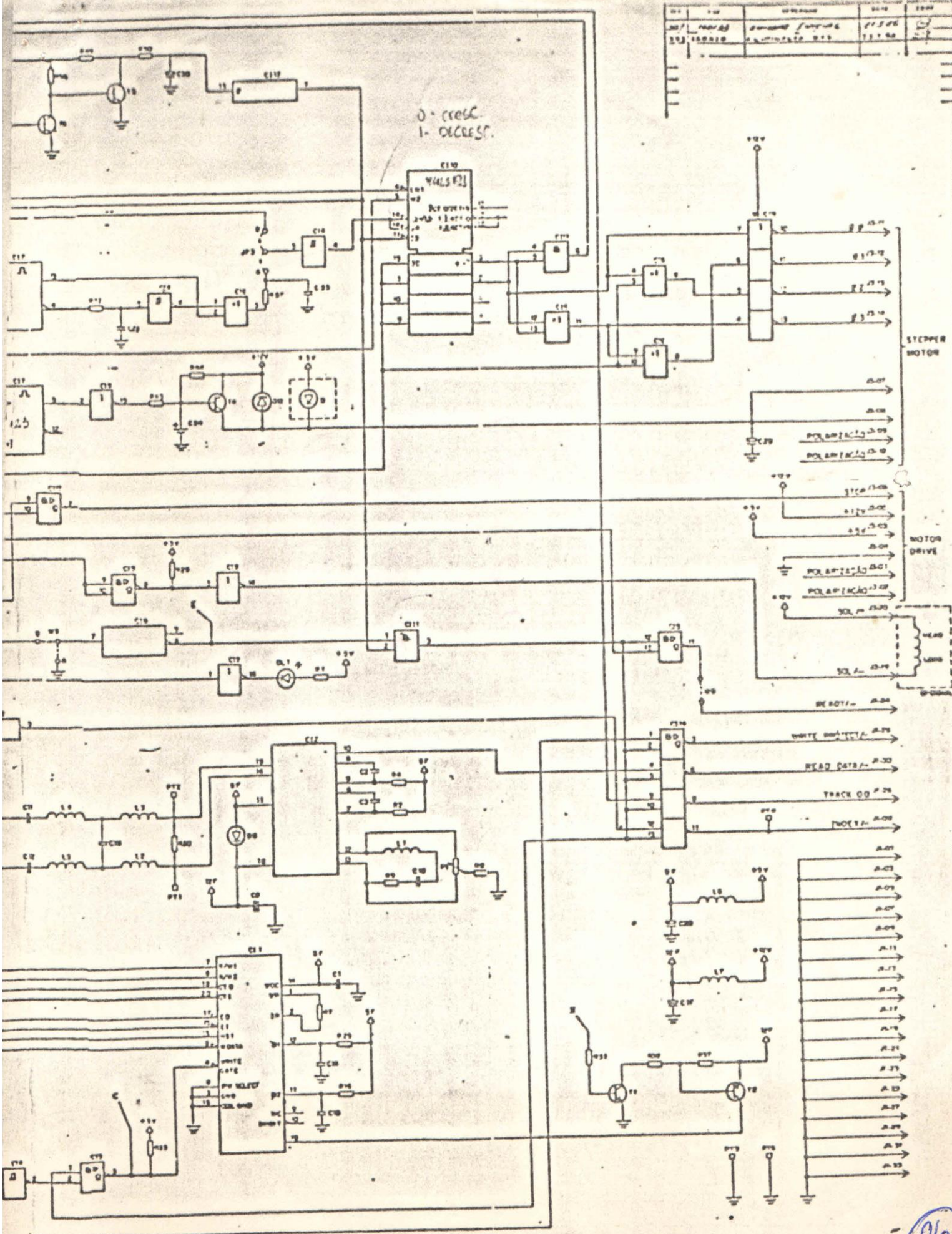
Fig. C-32. Power supply.





25 FIG.

NO	REV	FECHA	PROYECTO	NO
101	1	11/1/86	PROYECTO 9410 B	101
102	2	11/1/86		102



0 - CRESC.  
1 - DECRESC.

26

4 - ESQUEMA ELÉTRICO

TABLA DE ALIMENTACIÓN			
C10	12V	5V	0V
1, 2, 3, 4, 11, 12, 13	12V	5V	0V
5, 6, 7, 8, 9, 10, 14	12V	5V	0V
15, 16, 17, 18, 19, 20, 21	12V	5V	0V
22, 23, 24, 25, 26, 27, 28, 29, 30	12V	5V	0V

DOCUMENTO DE ENTREGA DE PROYECTO		11/1/86	
PIM-ACIONAMIENTO 9410 B		LUIZ CS0385	
2003 152 002 3		107	