

JULY 10, 1992

PAGE 1 OF 1

TO: DISTRIBUTION

FROM: A. P. HETZEL (W. C. DOCUMENT CONTROL)

SUBJECT: PRODUCTION RELEASE, A570

ENCLOSED IS THE PRODUCTION RELEASE DOCUMENTATION PACKAGE FOR THE A570, ENGINEERING RELEASE #296.

PLEASE REVIEW THE DOCUMENTATION PACKAGE AND FURNISH W. C. DOCUMENT CONTROL WITH NECESSARY COMMENTS.

TO ENSURE YOUR RECEIPT OF THIS PACKAGE, PLEASE SIGN AND RETURN A COPY OF THE ENGINEERING RELEASE FORM.

DISTRIBUTION: (WITH ATTACHMENTS)

	J. DUNN (AMIGA)	M. GRASSI	
H. BEACH	J. FRANK	B. KENNEDY	C. SANDERS
#J. CAMPBELL		#H. McCABE	J. SCHERB
M. COLLIGON (2)	R. GORT	C. MINSKER	R. STERLING (AMIGA ONLY)
	**G. ROBBINS	*S. KRECKMAN	#J. TEMPLE (BOMS ONLY)

J. CAHALANE (UK)
T. GIGER (ESCO)

(4) FILE COPIES

*PROJECT ENGINEERING

**PROJECT MANAGER

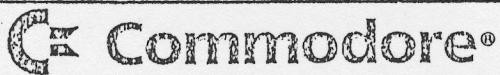
#BOMS ONLY

VELLUMS

R. CHOW (AUS)	R. SCHARNKE (CAN)	L. FERNANDO (PI)
L. GRAETSCH (BSW)	R. CHIBA (CJL)	
R. CHENG (CETL)	M. YUNG (HK)	

(WITHOUT ATTACHMENTS)

W. Y. CHAN (HK)	P. FRANKE (BSW)	B. BARTLING (USA)
P. KAY (HK)	A. KNAUTH (BSW)	J. CHLAN (USA)
S. LIANG (HK)		J. JOHNSON (USA)
J. MALLIRIS (HK)	D. KOLOSKI (CSG)	D. KAMINSKI (USA)
R. MACARAEG (HK)		S. MEADE (USA)
G. THOMAS (HK)	D. GARFINKEL (CETL)	J. MECCA (USA)
	Y. MARUTA (CJL)	E. SCHOENFELD (USA)
P. HUMPHRIES (BASEL)		D. SHANNON (USA)
		W. SYDNES (USA)
		M. WELLS (USA)



ENGINEERING RELEASE

ER #	RELEASE DATE	PRODUCT	REVISION	SHEET #
296	7/10/92	A570		1 of 2

Item	Dwg. Size	Document #	Rev.	Title	Remarks
1	B-1	364978	B	Inner Carton, A570	
2	B-4	363908	B	PCB Assembly, A570	
3	B-6	363909	A	Schematic, A570 ROM Drive	
4	C-1	363911	B	Bezel, A570	
5	C-1	363912	B	PCB Fabrication, A570	
6	B-2	363923	A	PCB Assembly, A572	
7	B-1	363924	A	Schematic, A572	
8	B-1	363930	B	Harness Assembly, CD-ROM A570 Data	
9	B-1	363931	B	Harness Assembly, Disk Power	
10	B-2 C-1	363932	D	Main Assembly, A570	
11	B-1	363934	B	Knob, Volume, A570	
12	D-1	363936	B	Cover, A570	
13	C-1	363938	B	Insulation Sheet, A570	
14	B-1	363939	B	Shield, EMI, A570	
15	D-1	363941	B	Base, A570	
16	B-1	364301	B	Plate, Expansion, Blank	
17	B-1	364323	B	Door, Caddy, CD-ROM Drive	
18	B-1	364324	B	Eject Pin, CD-ROM A570	
19	B-1	364325	B	Bracket, Connector, A570	
20	B-1	364402	B	Foot, Rubber	
21	B-2 C-1	364424	D	Packing Assembly, A570 No Options	
22	C-1	364642	B	Holder Mechanism, A570	
23	B-1	364739	B	Connector, Spacer, A570	
24	B-3	364798	B	PCB Assembly, LED, A570	
25	B-1	364799	B	PCB Fabrication, LED, A570	

RELEASE TYPE:

- ADVANCE ENGINEERING
 PILOT PRODUCTION
 PRODUCTION

APPROVALS	SIGNATURE	DATE
Originator	<i>[Signature]</i>	7/7/92
Project Engin.	<i>[Signature]</i>	7-Jul-92
Project Mgr.	<i>[Signature]</i>	7/9/92
Industrial Des.	<i>[Signature]</i>	7/9/92
Legal		
Doc. Control	<i>[Signature]</i>	7/9/92
Prod. Assur.	<i>[Signature]</i>	7/9/92
Dir. of Eng.	<i>[Signature]</i>	7/10/92

DOCUMENT RECEIPT

ALL DOCUMENTS RECEIVED

- YES
 NO

DATE RECEIVED

SIGNATURE



ENGINEERING RELEASE

ER #	RELEASE DATE	PRODUCT	REVISION	SHEET #
296	7/10/92	A570		2 of 2

Item	Dwg. Size	Document #	Rev.	Title	Remarks
26	B-2	364805	C	Packing Assembly, A570 w/2M DRAM	
27	D-1	364876	B	PCB Control Drawing	
28	C-1	364877	B	Foam Packing, Front	
29	C-1	364878	B	Foam Packing, Rear	
30	B-1	364880	B	Packing, Power Supply, A570	
31	B-1	364936	B	Connector, Spacer B	
32	B-2 C-1	538690	B	Shipping Assembly, A570 No Options	
33	B-2	580570	B	Shipping Assembly, A570 w/2M DRAM	
34	A-6	391317	A	IC Programmed PROM A570 LCA	
35					
36					
37					
38					
39					
40					
41					
42					
43					
44					
45					
46					
47					
48					
49					
50					

RELEASE TYPE:

ADVANCE ENGINEERING
 PILOT PRODUCTION
 PRODUCTION

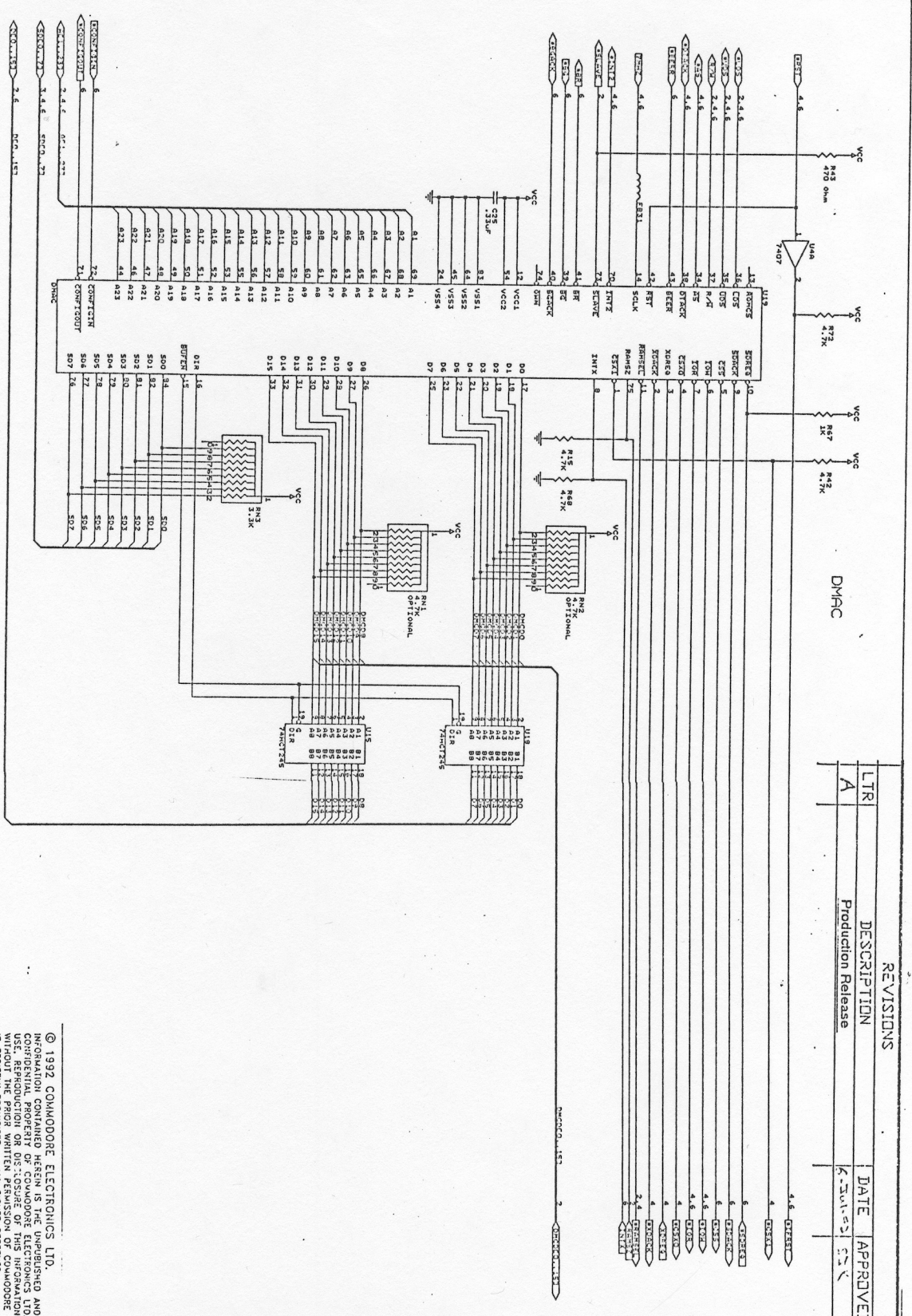
APPROVALS	SIGNATURE	DATE
Originator		
Project Engin.		
Project Mgr.		
Prod. Support		
Legal		
Doc. Control		
Prod. Assur.		
Dir. of Eng.		

DOCUMENT RECEIPT

ALL DOCUMENTS RECEIVED
 YES
 NO

DATE RECEIVED

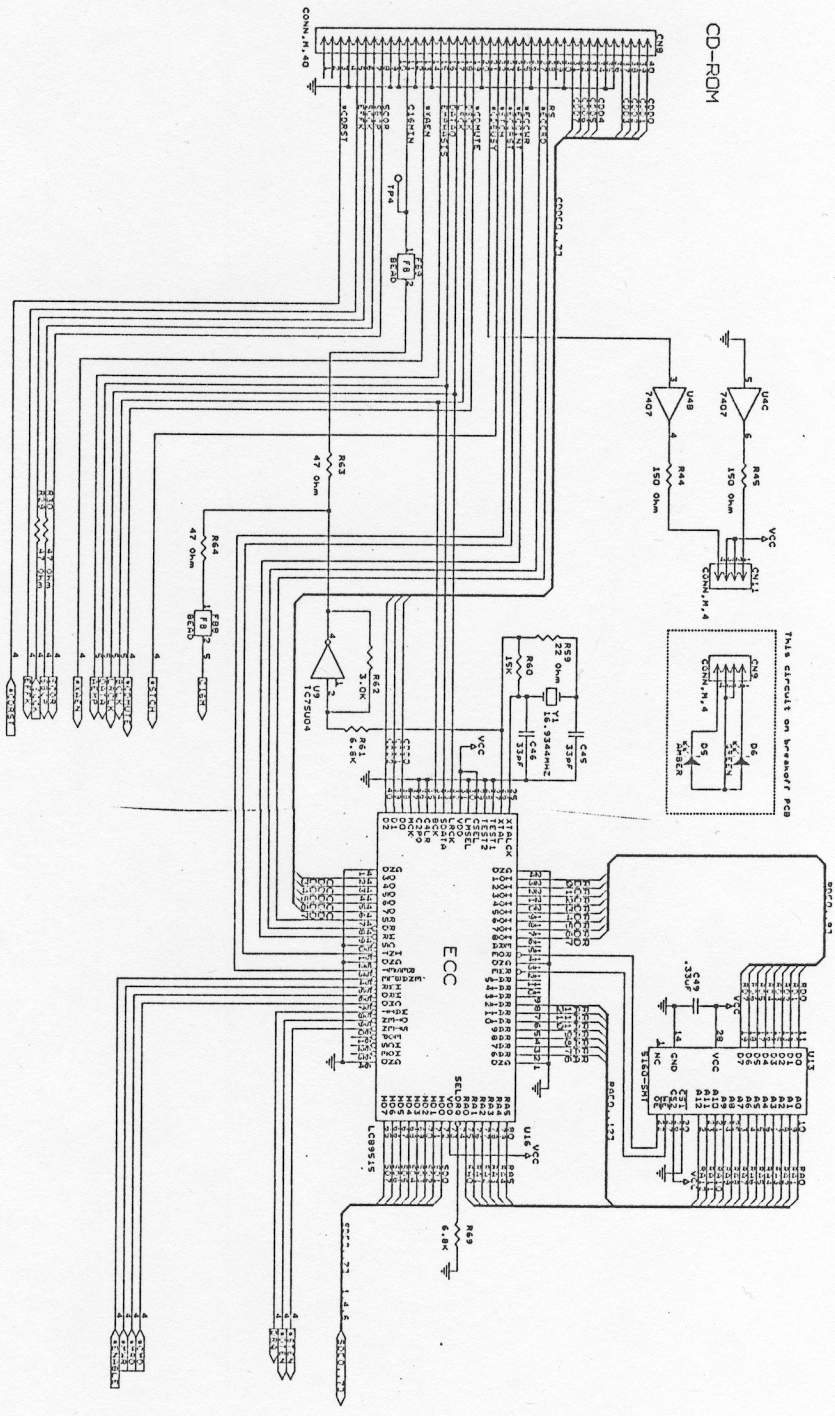
SIGNATURE



REVISIONS			
LTR	DESCRIPTION	DATE	APPROVED
A	Production Release	6-21-62	SK

© 1992 COMMODORE ELECTRONICS LTD.
 INFORMATION CONTAINED HEREIN IS THE UNCLASSIFIED AND
 CONFIDENTIAL PROPERTY OF COMMODORE ELECTRONICS LTD.
 USE, REPRODUCTION OR DISTRIBUTION OF THIS INFORMATION
 WITHOUT THE PRIOR WRITTEN PERMISSION OF COMMODORE
 IS STRICTLY PROHIBITED. ALL RIGHTS RESERVED.

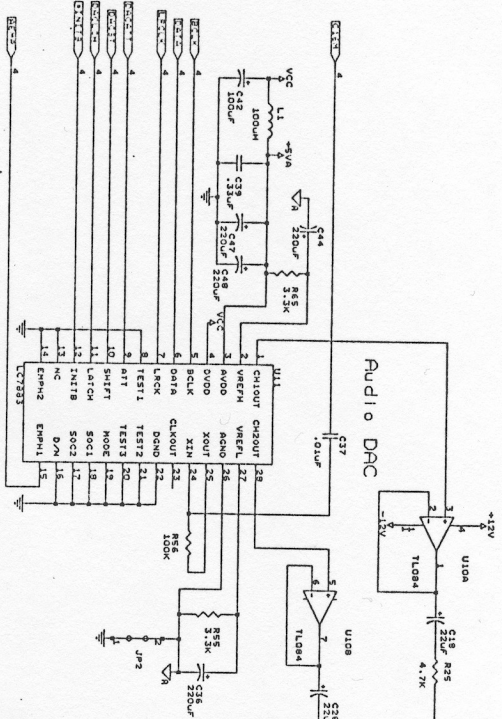
Commodore International
 1200 WILSON DR.
 WEST CHESTER, PA 19380
 ASTD - CO-NON DRIVE
 963909
 1 of 6



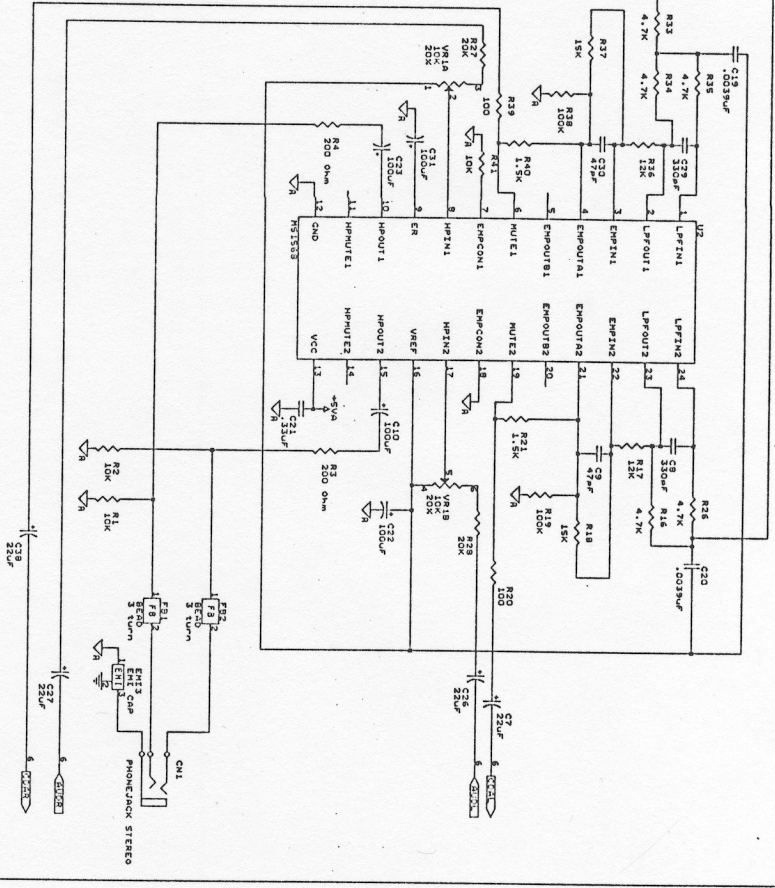
CD-ROM

This circuit on break-off R29

Commodore International
 1200 MILSON DR.
 WEST CHESTER, PA. 19380 USA
 870 - CD-ROM DRIVE
 PART DOCUMENT NUMBER 383909
 REV A

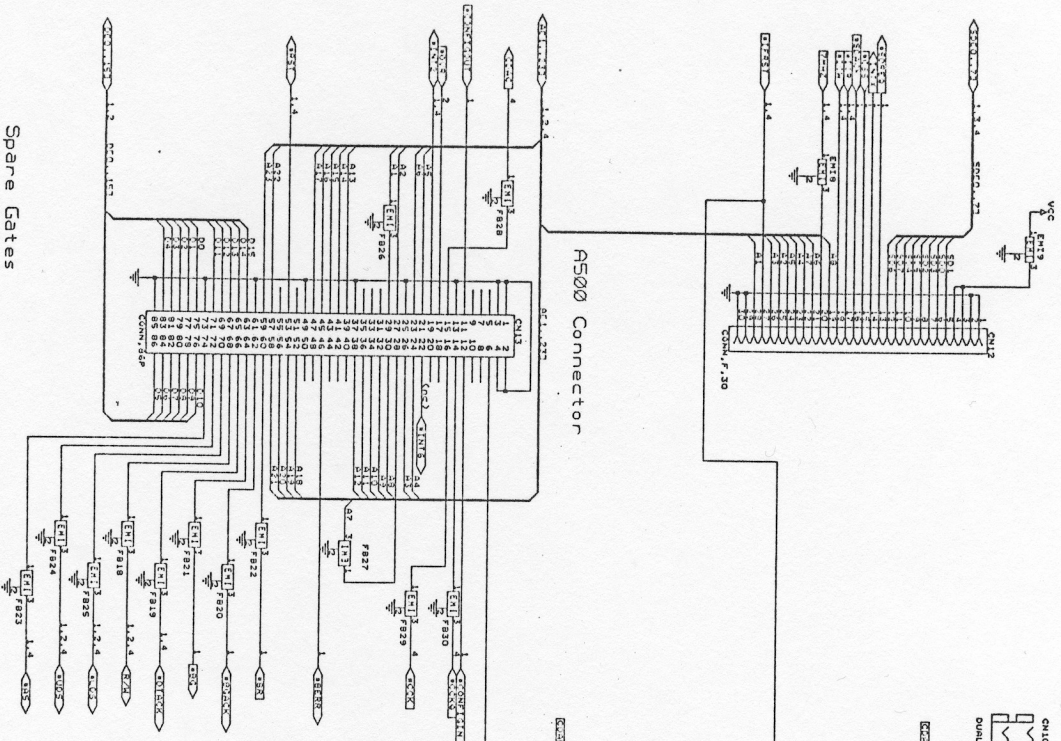


De-emphasis Filter

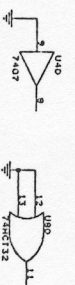


Commodore International
 1200 MILSON DR. #10 1380 USA
 TITLE: 6570 - CD-ROM DRIVE
 PART DOCUMENT NUMBER: 363909
 DATE: June 86, 139234-141
 P/C
 A1
 5

Expansion Interface

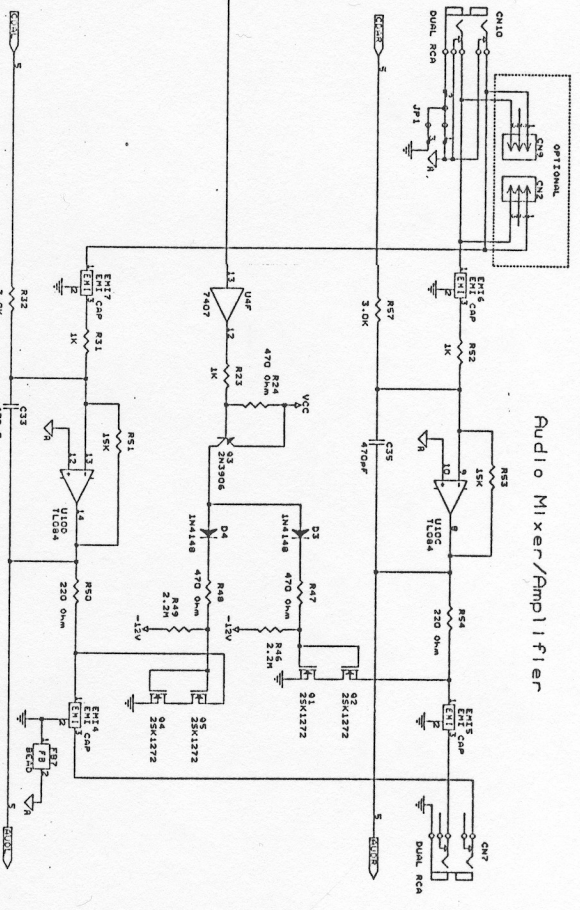


Spare Gates

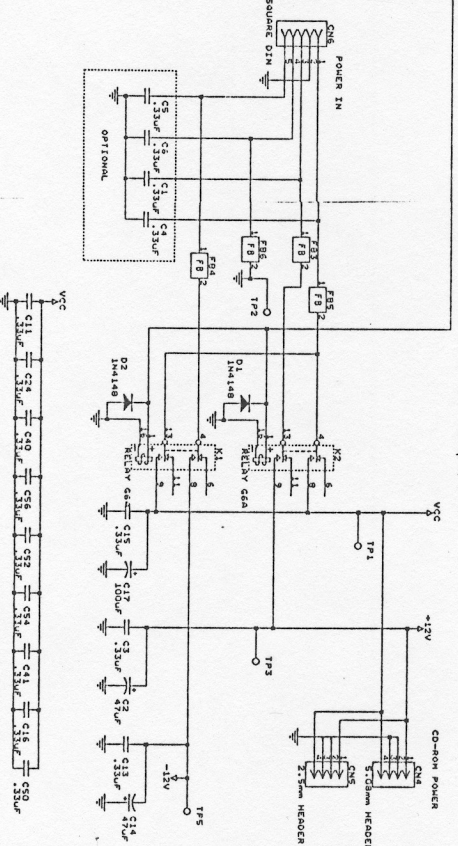


NOTE: 7403-7404 MAY BE PERMITS BEGINS OR ENI CAPS

Audio Mixer/Amplifier



Power Input



Commodore International
4250 WILSON DR. #2, 15300 USA
TEL: 408/351-3333
RS20 - COMMON DRIVE
SIZE DOCUMENT NUM: 363909
DATE: June 20, 1979
REV: 1

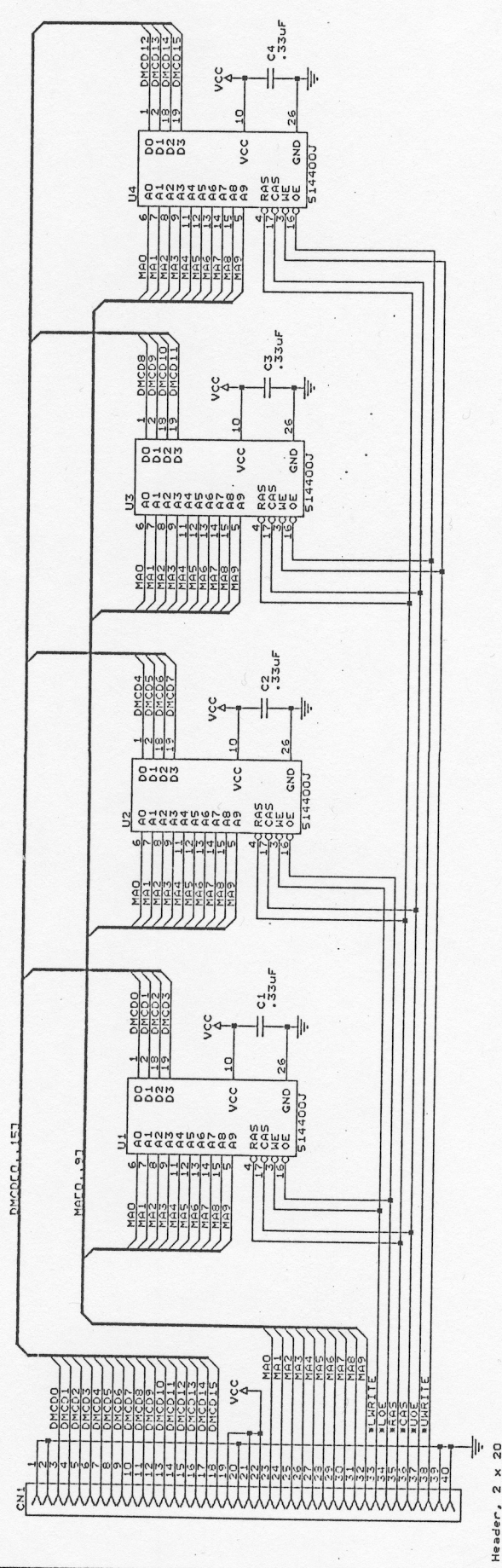
PART NUMBER	DESCRIPTION	Z/I LTR	REVISIONS		
			DESCRIPTION	DATE	APPROVED
363923-01	PCB ASSY. A572	A	PILOT PRODUCTION RELEASE	6-30-62	SMK

c 1992 COMMODORE ELECTRONICS LTD.
 INFORMATION CONTAINED HEREIN IS THE UNPUBLISHED AND
 CONFIDENTIAL PROPERTY OF COMMODORE ELECTRONICS LTD.
 USE, REPRODUCTION OR DISCLOSURE OF THIS INFORMATION
 WITHOUT THE PRIOR WRITTEN PERMISSION OF COMMODORE
 IS STRICTLY PROHIBITED ALL RIGHTS RESERVED

Commodore	TITLE: PCB ASSY. A572	Drawn by S. Kreckman	Drawing # 363923
			Sheet 1 of 2

QTY. REQ. PER DASH #		ITEM #	PART NO.	DESCRIPTION	REF DES / NOTES
10	08	R	1	363924-01 SCHEMATIC, A572	
		R	2	363925-01 PCB FAB, A572	
			3		
			4		
		1	5	363925-01 ARTWORK, A572	
		4	7	391137-01 DRAM, 4Mb, 1M X 4, 120 ns, SOJ	U1-U4
		4	9	310027-03 CAP, SM, Z5U, 1206, .33uF	C1-C4
		1	11	380311-06 CONNECTOR, FML, RT ANG, 40P, 2 X 20, 2.54mm	CN1
			12		
			13		
			14		
			15		
			16		
			17		
			18		
			19		
			20		
			21		
			22		
			23		
			24		
			25		
			26		
			27		
			28		
			29		
			30		
			31		
			32		
			33		
			34		
			35		
			36		
			37		
			38		
			39		
			40		
			41		
			42		
			43		
			44		
			45		
			46		
			47		
			48		
			49		
			50		
Commodore		Title PCB ASSY, A572			Drawn by S. KRECKMAN
					Drawing # 363923
					Sheet 2 of 2
					REV A

REVOLUTIONS		DESIGNER	DATE	APPROVED
U1R	ZONE		7/6/77	STK
A		PILOT PRODUCTION RELEASE		



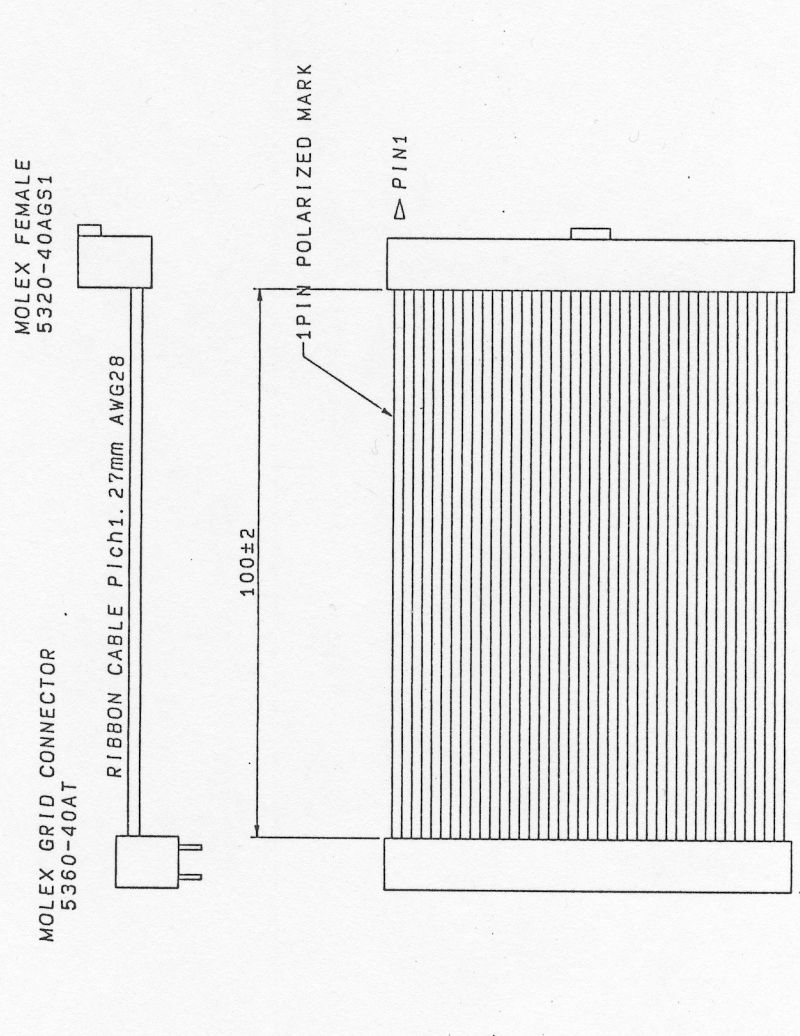
Commodore International	
1200 Wilson Dr. West Chester, PA 19380 USA	
Title	SCHEMATIC, A572
Size	Document Number
B	363924
Date:	July 2, 1992
Sheet	1 of 1

© 1992 COMMODORE ELECTRONICS LTD.
 INFORMATION CONTAINED HEREIN IS THE UNPUBLISHED AND
 CONFIDENTIAL PROPERTY OF COMMODORE ELECTRONICS LTD.
 USE, REPRODUCTION OR DISCLOSURE OF THIS INFORMATION
 WITHOUT THE WRITTEN PERMISSION OF COMMODORE
 IS STRICTLY PROHIBITED. ALL RIGHTS RESERVED

Header, 2 x 20

REVISIONS		
LTR	ZONE	DESCRIPTION
A		PILOT PRODUCTION RELEASE
B		PRODUCTION RELEASE

DATE	APPROVED
05/22/82	S.S.K.
7/16/82	J.S.K.



UNLESS OTHERWISE SPECIFIED TOLERANCES	MATERIAL:		DRAWN BY: T. Z. [Signature]	DATE: 4/24/82	
	ON LINER DIMENSIONS	ON ANGULAR DIMENSIONS		CHKD: T. Z. [Signature]	4/24/82
FINISH:		USED ON: A570	NEXT ASSY: J62908	ENGR: T. Z. [Signature]	4/24/82
APPR:		SCALE: NONE			
SITE: B		PART: 363930			
REV: B		SHEET: 1 OF 1			

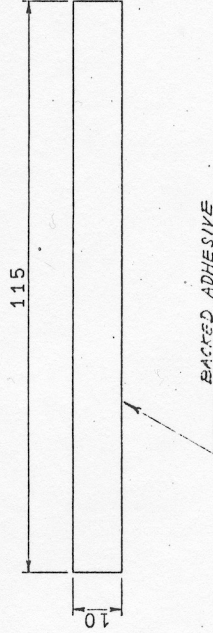
commodore

HARRISS ASST,
CDROM, A570. DATA

© 1982 COMMODORE ELECTRONICS LTD.
INFORMATION CONTAINED HEREIN IS THE UNPUBLISHED AND
CONFIDENTIAL PROPERTY OF COMMODORE ELECTRONICS LTD.
USE, REPRODUCTION OR DISCLOSURE OF THIS INFORMATION
WITHOUT THE PRIOR WRITTEN PERMISSION OF COMMODORE
IS STRICTLY PROHIBITED. ALL RIGHTS RESERVED

REVISIONS

LTR	ZONE	DESCRIPTION	DATE	APPROVED
A		PILOT PRODUCTION RELEASE	8/29/72	SKK
B		PRODUCTION RELEASE	9/19/72	SKK



UNLESS OTHERWISE SPECIFIED TOLERANCES		MATERIAL: MYLAR SHEET OR EQUIV. t = 0.5	DRAWN BY: T. Z. ...	DATE
ON LINER DIMENSIONS	ON ANGULAR DIMENSIONS			4/4/72
FINISH:		CHKD: T. Z. ...	ENGR: T. Z. ...	4/4/72
NEXT ASSY		APPR:	USED ON	363908
A570		364739		B

© 1992 COMMODORE ELECTRONICS LTD.
 INFORMATION CONTAINED HEREIN IS THE UNPUBLISHED AND
 CONFIDENTIAL PROPERTY OF COMMODORE ELECTRONICS LTD.
 USE, REPRODUCTION OR DISCLOSURE OF THIS INFORMATION
 WITHOUT THE PRIOR WRITTEN PERMISSION OF COMMODORE
 IS STRICTLY PROHIBITED. ALL RIGHTS RESERVED.

COMMODORE
 CONNECTOR
 SPACER, A570

SIZE	B	REV	B
SCALE	1/1	SHEET	1 OF 1

PART NUMBER	DESCRIPTION	REVISIONS		DATE	- APPROVED
		ZN	LTR		
364798-01	PCB ASSEMBLY, LED, A570	A	PILOT PRODUCTION RELEASE	5/1/92	S. Kreckman
		B	PRODUCTION RELEASE		

c 1991 COMMODORE ELECTRONICS LTD.
 INFORMATION CONTAINED HEREIN IS THE UNPUBLISHED AND
 CONFIDENTIAL PROPERTY OF COMMODORE ELECTRONICS LTD.
 USE, REPRODUCTION OR DISCLOSURE OF THIS INFORMATION
 WITHOUT THE PRIOR WRITTEN PERMISSION OF COMMODORE
 IS STRICTLY PROHIBITED ALL RIGHTS RESERVED

Commodore

TITLE: PCB ASSY, LED, A570

Drawn By S. Kreckman

Drawing # 364798

Sheet 1 of 3

QTY.	REQ.	PER DASH #	ITM #	PART NO.	DESCRIPTION	REF DES / NOTES	
10	03	0706	0504	0302	01		
			R 1	363999-01	SCHEMATIC, A570		
			R 2	364799-01	PCB FAB, LED, A570		
			3				
			1	364797-01	ARTWORK, LED, A570		
			5				
			1	391399-01	LED, RECT, STEPPED, 5mm X 4mm, YELLOW	D5	
			1	391399-02	LED, RECT, STEPPED, 5mm X 4mm, GREEN	D6	
			8				
			1	252628-02	HARNISS ASSY, LED, A570		
			10				
			11				
			12				
			13				
			14				
			15				
			16				
			17				
			18				
			19				
			20				
			21				
			22				
			23				
			24				
			25				
			26				
			27				
			28				
			29				
			30				
			31				
			32				
			33				
			34				
			35				
			36				
			37				
			38				
			39				
			40				
			41				
			42				
			43				
			44				
			45				
			46				
			47				
			48				
			49				
			50				
Commodore			Title PCB ASSY, LED, A570				Drawn by S. Krockman
							Drawing # 364798
							Sheet 2 of 3
							REV B

REVISIONS

DESCRIPTION

LTR ZONE

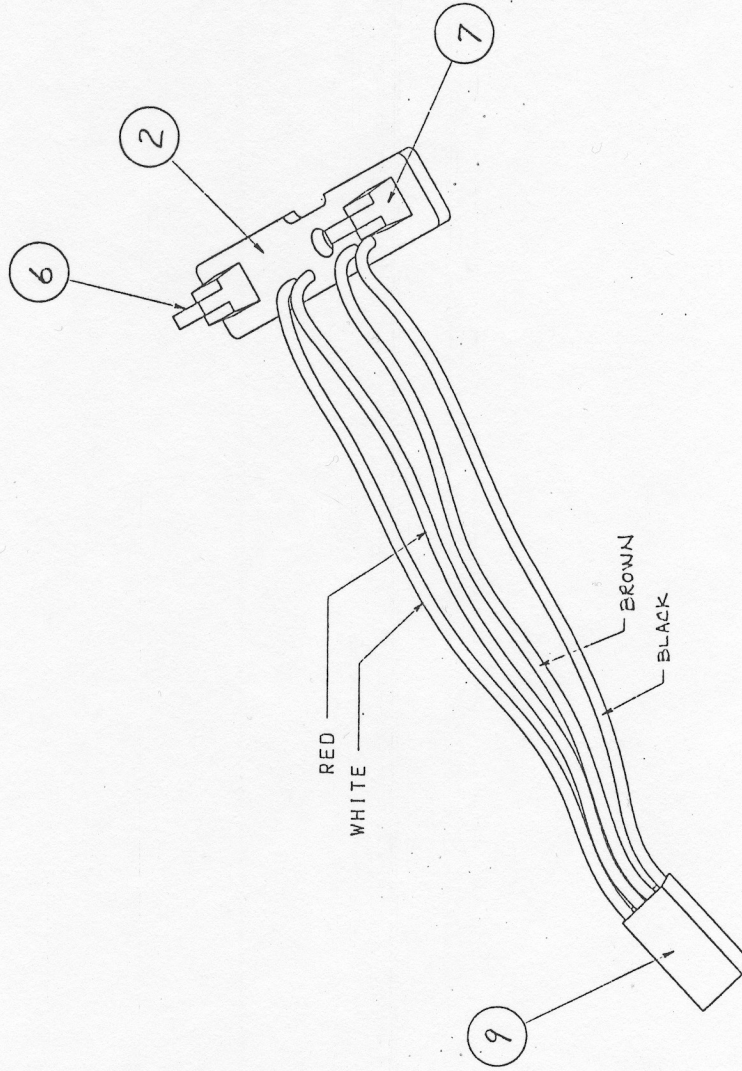
DATE

APPROVED

SEE SHEET 1

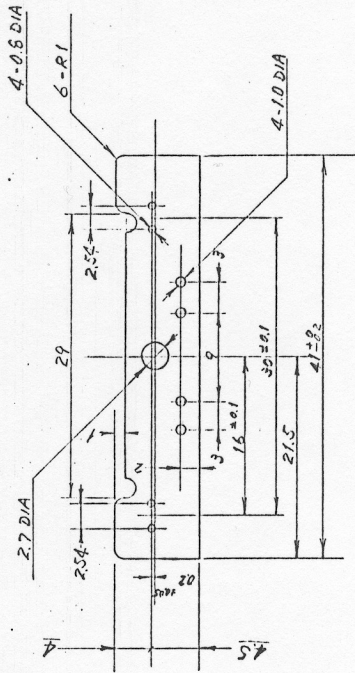
1/2/84

S.S.K.



UNLESS OTHERWISE SPECIFIED TOLERANCES		MATERIAL:		DRAWN BY: Z. T. ...		DATE: 1-2-84	
ON LNER DIMENSIONS	ON ANGULAR DIMENSIONS			CHKD: Z. T. ...	DATE: 1-2-84	COMMODORE	
				ENGR: Z. T. ...	DATE: 1-2-84	PCB. ASSY.	
				APPR:		LED. A570	
		FINISH:		USED ON	NEXT ASSY	SEE	REV
				A570	363932	B	B
				SCALE NONE		SHEET 3 OF 3	

REVISIONS				
LTR	ZONE	DESCRIPTION	DATE	APPROVED
A		PILOT PRODUCTION RELEASE	6/22/92	SSK
B		PRODUCTION RELEASE	7/16/92	SSK



3. COMPONENT SIDE VIEW
 2. FINISH = RESIST MASK BOTH SIDES AND SILKSCREEN.
 1. MATERIAL = 1.2 THICK - 1/20Z COPPER CLAD GLASS EPOXY G10 OR EQUIV.
- NOTES = UNLESS OTHERWISE SPECIFIED

UNLESS OTHERWISE SPECIFIED		DRAWN BY: T. Zwick		DATE: 4/14/92	
TOLERANCES ON:		CHKD: T. Zwick		4/14/92	
DECIMALS .XXX		ENGR: T. Zwick		4/14/92	
X .XX		APPR:			
Z .Z		USED ON: A570		NEXT ASSY: 364798	
MATERIAL: SEE NOTE 1		PCB FAB. LED, A570		Commodore	
FINISH: SEE NOTE 2		SIZE: B		REV: B	
		SCALE: 2/1		SHEET 1 OF 1	

© 1992 COMMODORE ELECTRONICS LTD.
 INFORMATION CONTAINED HEREIN IS THE UNPUBLISHED AND
 CONFIDENTIAL PROPERTY OF COMMODORE ELECTRONICS LTD.
 REPRODUCTION OR TRANSMISSION IN ANY FORM OR BY ANY
 MEANS WITHOUT THE PRIOR WRITTEN PERMISSION OF COMMODORE
 IS STRICTLY PROHIBITED. ALL RIGHTS RESERVED

PART NUMBER	DESCRIPTION	REVISIONS			DATE	APPROVED
		ZN	LTR	DESCRIPTION		
364805-01	PACKING ASSY, A570, W/ 2M DRAM, US				5/1/92	S. Kreckman
364805-02	PACKING ASSY, A570, W/ 2M DRAM, CN		A	PILOT PRODUCTION RELEASE		
364805-03	PACKING ASSY, A570, W/ 2M DRAM, UK		B	REVISED PER ECO 920443	7/2/92	D. SHANNON
364805-04	PACKING ASSY, A570, W/ 2M DRAM, GR		C	PRODUCTION RELEASE	8-24-92	S. K
364805-05	PACKING ASSY, A570, W/ 2M DRAM, FR					
364805-06	PACKING ASSY, A570, W/ 2M DRAM, IT					
364805-07	PACKING ASSY, A570, W/ 2M DRAM, SP					
364805-08	PACKING ASSY, A570, W/ 2M DRAM, JP					
364805-09	PACKING ASSY, A570, W/ 2M DRAM, SG					
364805-10	PACKING ASSY, A570, W/ 2M DRAM, AU, USE -04					
364805-11	PACKING ASSY, A570, W/ 2M DRAM, NL, USE -07					
364805-12	PACKING ASSY, A570, W/ 2M DRAM, SD, USE -07					
364805-13	PACKING ASSY, A570, W/ 2M DRAM, FN, USE -07					
364805-14	PACKING ASSY, A570, W/ 2M DRAM, NE, USE -07					
364805-15	PACKING ASSY, A570, W/ 2M DRAM, DN, USE -07					
364805-16	PACKING ASSY, A570, W/ 2M DRAM, BF, USE -05					
364805-17	PACKING ASSY, A570, W/ 2M DRAM, BD, USE -07					
364805-18	PACKING ASSY, A570, W/ 2M DRAM, AL					
364805-19	PACKING ASSY, A570, W/ 2M DRAM, CEL, USE -01					
364805-20	PACKING ASSY, A570, W/ 2M DRAM, PG, USE -07					

1. SHEET OF SIZE
ASSY. DWG.
NOTES:

c 1992 COMMODORE ELECTRONICS, LTD.
INFORMATION CONTAINED HEREIN IS THE UNPUBLISHED AND
CONFIDENTIAL PROPERTY OF COMMODORE ELECTRONICS, LTD.
USE, REPRODUCTION OR DISCLOSURE OF THIS INFORMATION
WITHOUT THE PRIOR WRITTEN PERMISSION OF COMMODORE
IS STRICTLY PROHIBITED. ALL RIGHTS RESERVED

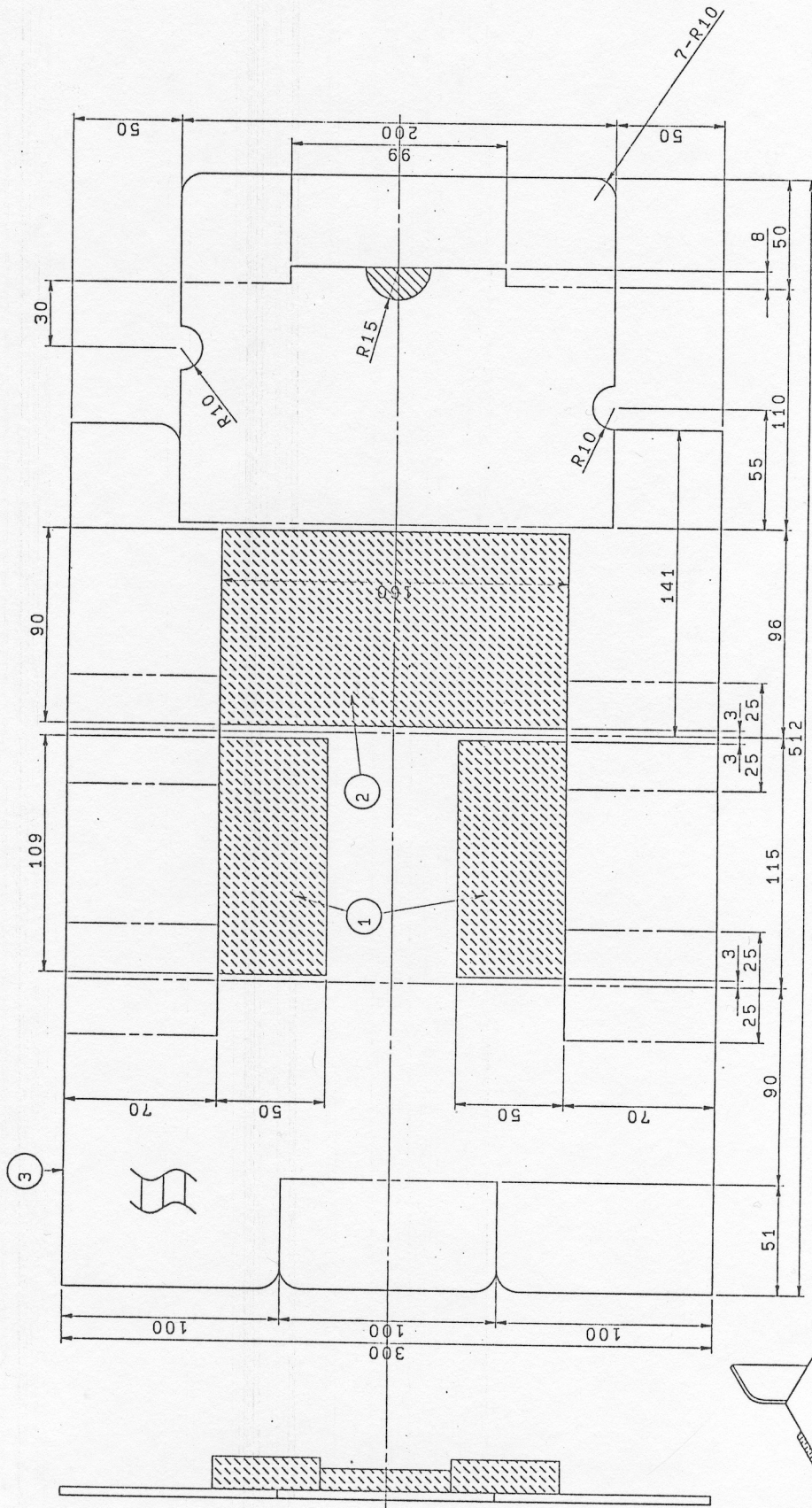
Commodore

TITLE: PACKING ASSY, A570, W/ 2M DRAM

Drawn by Kreckman
Drawing # 364805
Sheet 1 of 2

REVISIONS		DATE		APPROVED	
LTR	ZONE	DESCRIPTION			
A		PILOT PRODUCTION RELEASE	7/24/74		SJK
B		PRODUCTION RELEASE	7/24/74		SJK

No.	MATERIAL AND SIZE
1	PS 160*90*t10 (mm)
2	PS 109*50*t15 (mm)
3	A-flute K220*SCP125*K220



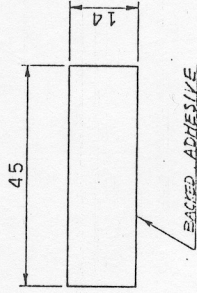
UNLESS OTHERWISE SPECIFIED TOLERANCES		MATERIAL:		DRAWN BY:		DATE	
ON LINER DIMENSIONS	ON ANGULAR DIMENSIONS	A-FLUTE	K220 X SCP125 X K220	T. T. T. T.	4/1/72		
FINISH:		USED ON		NEXT ASSY		REV	
		A570		364424		B	
						364980	
						SCALE 1/2	
						SHEET 1 OF 1	

© 1992 COMMODORE ELECTRONICS LTD.
 INFORMATION CONTAINED HEREIN IS THE UNPUBLISHED AND PROPRIETARY INFORMATION OF COMMODORE ELECTRONICS LTD. ANY REPRODUCTION OR DISSEMINATION OF THIS INFORMATION WITHOUT THE PRIOR WRITTEN PERMISSION OF COMMODORE IS STRICTLY PROHIBITED. ALL RIGHTS RESERVED.

commodore
 PACKING, POWER SUPPLY, A570

REVISIONS

LTR ZONE	DESCRIPTION	DATE	APPROVED
A	PILOT PRODUCTION RELEASE	6/22/72	SK
B	PRODUCTION RELEASE	7/15/72	SK

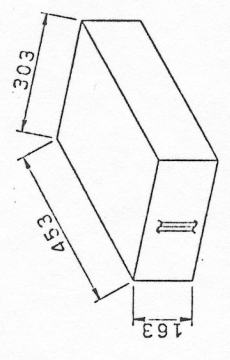
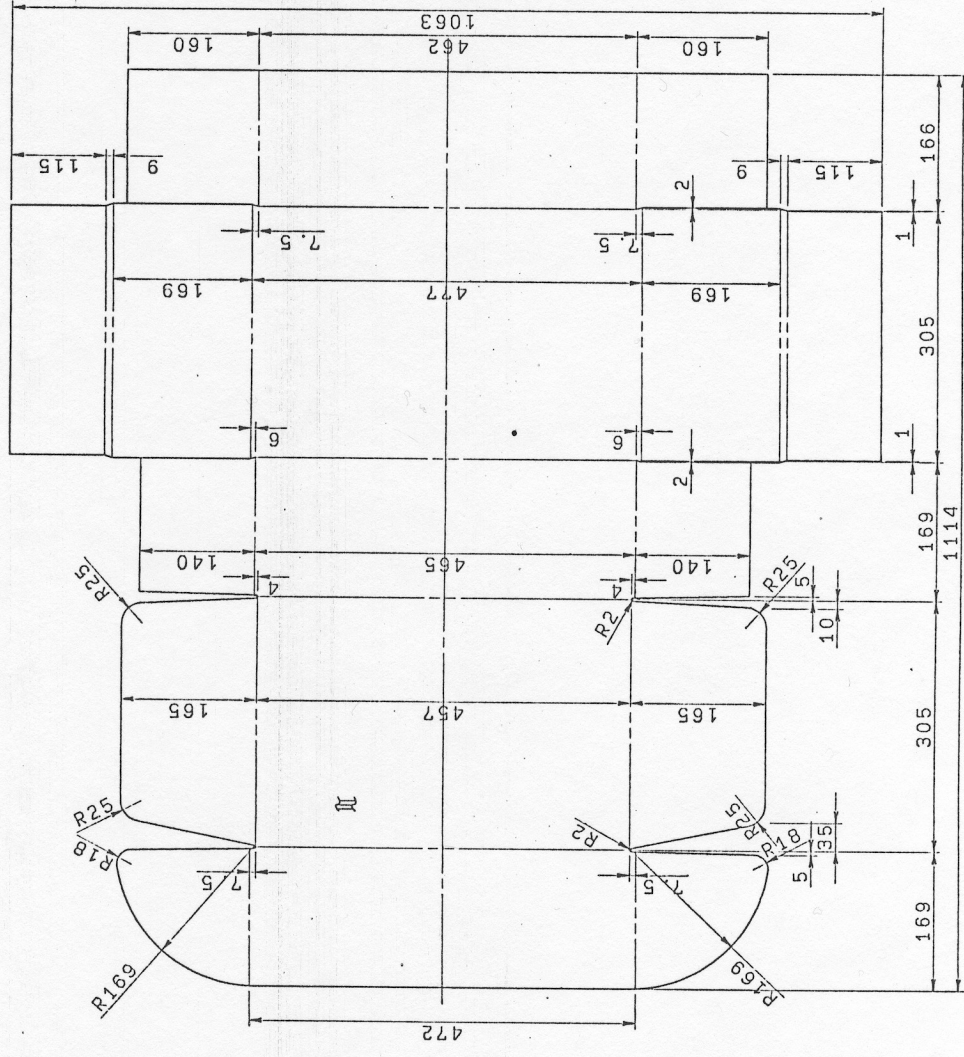


UNLESS OTHERWISE SPECIFIED TOLERANCES		DRAWN BY: T. T. ...	DATE	commodore	
ON LITER DIMENSIONS	ON ANGULAR DIMENSIONS		4/1/72	CONNECTOR SPACER-B	
FINISH:		CHKD: T. T. ...	4/1/72	SIZE	B
MATERIAL: MYLAR SHEET OR EQUIV. t = 1.0		ENGR: T. T. ...	4/1/72	SCALE	1/1
NEXT ASSY		APPR:		SHEET	1 OF 1
USED ON				REV	B
A570					
392608					

© 1992 COMMODORE ELECTRONICS LTD.
 INFORMATION CONTAINED HEREIN IS THE UNPUBLISHED AND
 PROPRIETARY INFORMATION OF COMMODORE ELECTRONICS LTD.
 NO PART OF THIS DOCUMENT IS TO BE REPRODUCED OR
 USED IN ANY MANNER WITHOUT THE PRIOR WRITTEN PERMISSION OF COMMODORE
 ELECTRONICS LTD. ALL RIGHTS RESERVED.

REVISIONS

LTR	ZONE	DESCRIPTION	DATE	APPROVED
A		PILOT PRODUCTION RELEASE	2/25/92	SSK
B		PRODUCTION RELEASE	7/1/92	SSK



OUTER DIMENSION
W D H
480*310*170

INNER DIMENSION

UNLESS OTHERWISE SPECIFIED TOLERANCES		MATERIAL: WHITE		DRAWN BY: T. Tolmach		DATE: 4/2/92	
ON LINER DIMENSIONS	ON ANGULAR DIMENSIONS	B220*S125	K220(Bf)	CHKD: T. Tolmach	4/2/92	ENGR: T. Tolmach	4/2/92
FINISH:		DIE CUT BOX		APPR: S. Tolmach	7/1/92	USED ON NEXT ASSY: 364424	
				A570		REV B 364078	
						SCALE NONE SHEET 1 OF 1	

© 1992 COMMODORE ELECTRONICS LTD.
 INFORMATION CONTAINED HEREIN IS THE UNPUBLISHED AND
 CONFIDENTIAL PROPERTY OF COMMODORE ELECTRONICS LTD.
 NO PART OF THIS DOCUMENT IS TO BE DISCLOSED OR
 REPRODUCED IN ANY MANNER WITHOUT THE EXPRESS WRITTEN
 PERMISSION OF COMMODORE ELECTRONICS LTD. ALL RIGHTS RESERVED.

comodore
INNER
 CARTON, A570

PART NUMBER	DESCRIPTION	ZN	LTR	REVISIONS		DATE	APPROVED
				DESCRIPTION	DATE		
580570-01	SHIPPING ASSY. A570, 2M, US		1	ADVANCED ENGINEERING RELEASE	12/30/91	D. Gilbreath	
580570-02	SHIPPING ASSY. A570, 2M, CN		A	PILOT PRODUCTION RELEASE	5/1/92	S. Kreckman	
580570-03	SHIPPING ASSY. A570, 2M, UK		B	PILOT PRODUCTION RELEASE			
580570-04	SHIPPING ASSY. A570, 2M, GR						
580570-05	SHIPPING ASSY. A570, 2M, FR						
580570-06	SHIPPING ASSY. A570, 2M						
580570-07	SHIPPING ASSY. A570, 2M, SP						
580570-08	SHIPPING ASSY. A570, 2M, SG						
580570-09	SHIPPING ASSY. A570, 2M, SF						
580570-10	SHIPPING ASSY. A570, 2M, AU, USE -04						
580570-11	SHIPPING ASSY. A570, 2M, NR, USE -07						
580570-12	SHIPPING ASSY. A570, 2M, SD, USE -07						
580570-13	SHIPPING ASSY. A570, 2M, FN, USE -07						
580570-14	SHIPPING ASSY. A570, 2M, NE, USE -07						
580570-15	SHIPPING ASSY. A570, 2M, DN, USE -07						
580570-16	SHIPPING ASSY. A570, 2M, BF, USE -05						
580570-17	SHIPPING ASSY. A570, 2M, BD, USE -07						
580570-18	SHIPPING ASSY. A570, 2M, AL						
580570-19	SHIPPING ASSY. A570, 2M, CEL, USE -01						
580570-20	SHIPPING ASSY. A570, 2M, PG, USE -07						

1. SHEET OF SIZE
ASSY. DWG.
NOTES:

© 1991 COMMODORE ELECTRONICS, LTD.
 INFORMATION CONTAINED HEREIN IS THE UNPUBLISHED AND
 CONFIDENTIAL PROPERTY OF COMMODORE ELECTRONICS, LTD.
 USE, REPRODUCTION OR DISCLOSURE OF THIS INFORMATION
 WITHOUT THE PRIOR WRITTEN PERMISSION OF COMMODORE
 IS STRICTLY PROHIBITED. ALL RIGHTS RESERVED

Commodore	TITLE: SHIPPING ASSY, A570, W/2M DRAM			Drawn by Kreckman	Drawing # 580570
					Sheet 1 of 2

		QUANTITY REQUIRED PER DASH #		ITEM #	PART NO.	DESCRIPTION	REF DES / NOTES																	
25	24	23	22	21	20	19	18	17	16	15	14	13	12	11	10	09	08	07	06	05	04	03	02	01
						*																		
						2																		
						*																		

Title		Commodore	
		SHIPPING ASSY, A570, W/2M DRAM	
Drawn by		Kreckman	
Drawing #		580570	
Rev		B	
		Sheet 2	
		of 2	

PART NUMBER	DESCRIPTION	REVISIONS		
		ZN	LTR	DATE
538690-01	SHIPPING ASSY, A570, US	1		
538690-02	INACTIVE			12/30/91 D. Gilbreath
538690-03	SHIPPING ASSY, A570, CN	A		5/1/92 S. Kreckman
538690-04	SHIPPING ASSY, A570, UK	B		6/3/92 S. Kreckman
538690-05	SHIPPING ASSY, A570, GR			
538690-06	SHIPPING ASSY, A570, FR			
538690-07	SHIPPING ASSY, A570, IT			
538690-08	SHIPPING ASSY, A570, SP			
538690-09	SHIPPING ASSY, A570, SF			
538690-10	SHIPPING ASSY, A570, AU, USE -04			
538690-11	SHIPPING ASSY, A570, NR, USE -07			
538690-12	SHIPPING ASSY, A570, SD, USE -07			
538690-13	SHIPPING ASSY, A570, FN, USE -07			
538690-14	SHIPPING ASSY, A570, NE, USE -07			
538690-15	SHIPPING ASSY, A570, DN, USE -07			
538690-16	SHIPPING ASSY, A570, BF, USE -05			
538690-17	SHIPPING ASSY, A570, BD, USE -07			
538690-18	SHIPPING ASSY, A570, AL			
538690-19	SHIPPING ASSY, A570, CEL, USE -01			
538690-20	SHIPPING ASSY, A570, PG, USE -07			

1. SHEET 3 OF 3 SIZE C
 ASSY. DWG. 538690
 NOTES:

© 1992 COMMODORE ELECTRONICS, LTD.
 INFORMATION CONTAINED HEREIN IS THE UNPUBLISHED AND
 CONFIDENTIAL PROPERTY OF COMMODORE ELECTRONICS, LTD.
 USE, REPRODUCTION OR DISCLOSURE OF THIS INFORMATION
 WITHOUT THE PRIOR WRITTEN PERMISSION OF COMMODORE
 IS STRICTLY PROHIBITED. ALL RIGHTS RESERVED

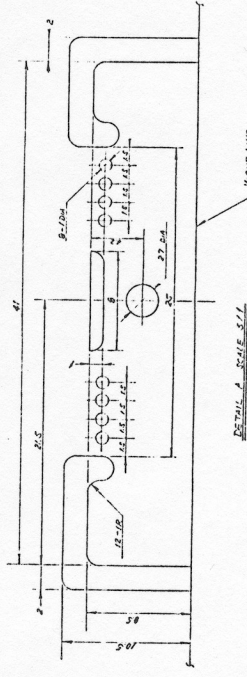
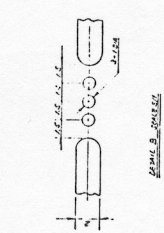
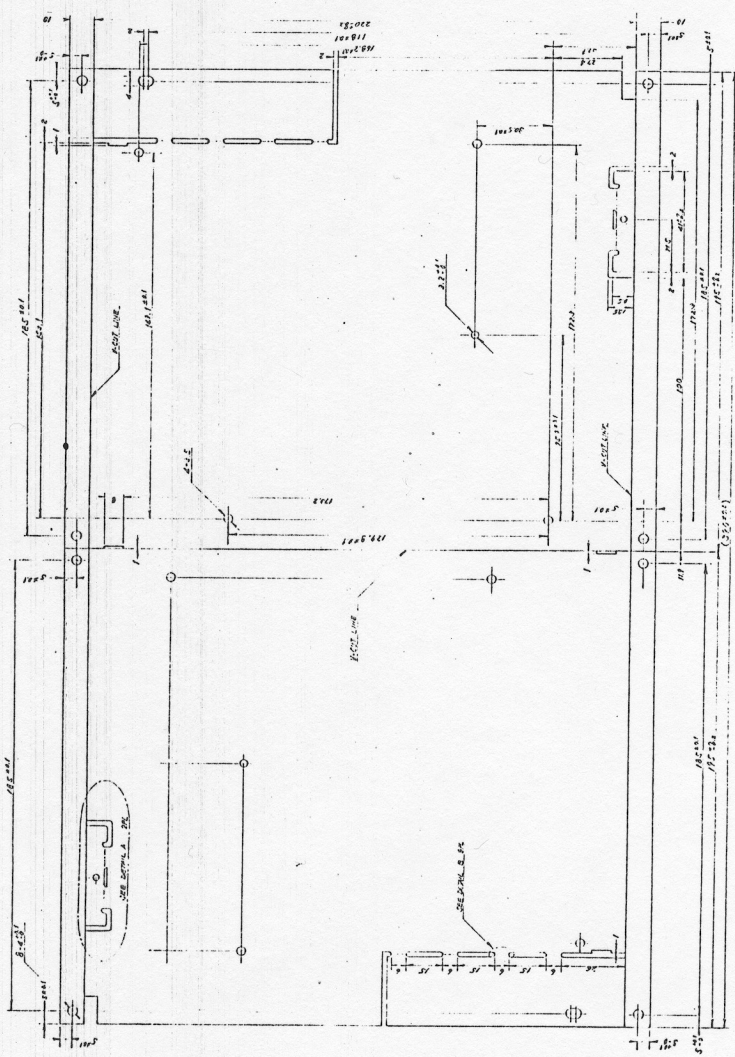
Commodore	TITLE: SHIPPING ASSY, A570, NO OPTIONS	Drawn by Kreckman	Drawing # 538690
		Sheet 1 of 3	

QUANTITY REQUIRED PER DASH #													ITEM #	PART NO.	DESCRIPTION	REF DES / NOTES												
25	24	23	22	21	20	19	18	17	16	15	14	13					12	11	10	09	08	07	06	05	04	03	02	01
																									1	363146-03	SHIPPING BOX, A570, 4 UP	* = 1/4
																									2	369117-01	LABEL, CARTON, A570	PUT ONTO ITEM #1
																									3			
																									4	369507-01	LABEL, BAR CODE, A570	* = 1/4 PLACE ON ITEM 1
																									5			
																									6			
																									7			
																									8			
																									9	364424-01	PACKING ASSY, A570, US, NO OPTIONS	
																									10	364424-02	PACKING ASSY, A570, CN, NO OPTIONS	
																									11	364424-18	PACKING ASSY, A570, AL, NO OPTIONS	
																									12	364424-03	PACKING ASSY, A570, UK, NO OPTIONS	
																									13	364424-05	PACKING ASSY, A570, FR, NO OPTIONS	
																									14	364424-06	PACKING ASSY, A570, IT, NO OPTIONS	
																									15	364424-07	PACKING ASSY, A570, SP, NO OPTIONS	
																									16	364424-04	PACKING ASSY, A570, GR, NO OPTIONS	
																									17	364424-08	PACKING ASSY, A570, SG, NO OPTIONS	
																									18	364424-09	PACKING ASSY, A570, SF, NO OPTIONS	
																									19			
																									20			
																									21			
																									22			
																									23			
																									24			
																									25			
																									26			
																									27			
																									28			
																									29			
																									30			
																									31			
																									32			
																									33			
																									34			
																									35			
																									36			
																									37			
																									38			
																									39			
																									40			
																									41			
																									42			
																									43			
																									44			
																									45			
																									46			
																									47			
																									48			
																									49			
																									50			

Title		SHIPPING ASSY, A570, NO OPTIONS	
Commodore			
Drawn by	Kreckman	Drawing #	538690
Rev	B	Sheet 2	of 3

REVISIONS		DATE	APPROVED
1	1.1.57	22/07/57	RELESE
2	1.1.57	22/07/57	RELEASE

DATE: APPROVED
 22/07/57
 RELEASE
 22/07/57
 RELEASE



1
2
3
4
5
6
7
8

1
2
3
4
5
6
7
8

DESIGNED BY	DATE	SCALE	PROJECT
1.1.57	22/07/57	1:1	1
CHECKED BY	DATE	SCALE	PROJECT
1.1.57	22/07/57	1:1	1
APPROVED BY	DATE	SCALE	PROJECT
1.1.57	22/07/57	1:1	1
ISSUED BY	DATE	SCALE	PROJECT
1.1.57	22/07/57	1:1	1
ISSUED BY	DATE	SCALE	PROJECT
1.1.57	22/07/57	1:1	1

© 1957 COMMODORE ELECTRONICS LTD.
 COMMODORE ELECTRONICS LTD. IS A REGISTERED COMPANY IN THE UNITED KINGDOM.
 ALL RIGHTS RESERVED.

commodore
 PCB CONTROL DWG. AS70
 SHEET D 364876 REV B
 SCALE 1:1 SHEET 1 OF 1

1
2
3
4
5
6
7
8

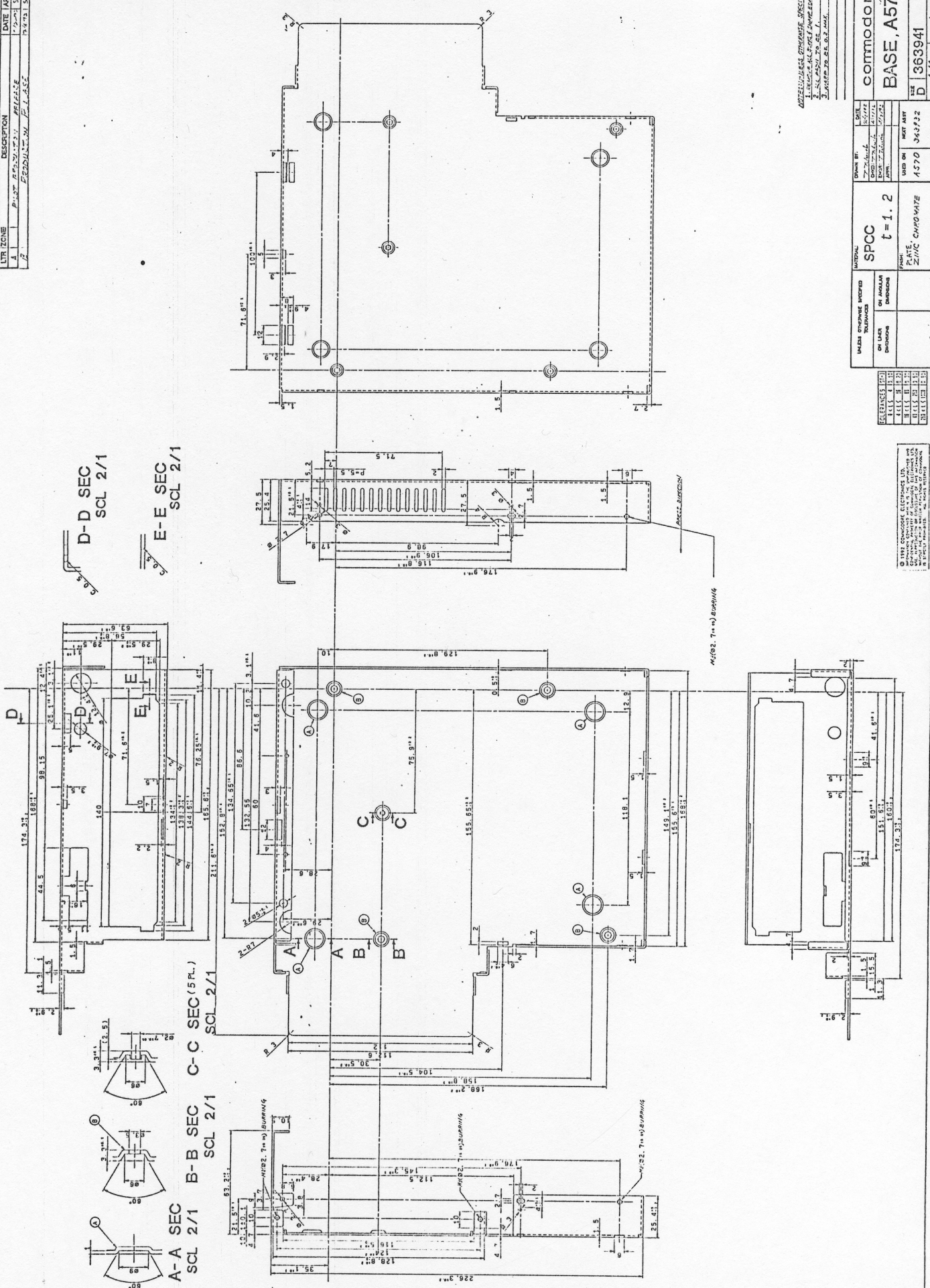
1
2
3
4
5
6
7
8

1
2
3
4
5
6
7
8

1
2
3
4
5
6
7
8

1
2
3
4
5
6
7
8

REV	DATE	DESCRIPTION	APPROVED
1	1/20/57	RELEASE	
2	1/20/57	REVISION	



D-D SEC
SCL 2/1

E-E SEC
SCL 2/1

A-A SEC
SCL 2/1

B-B SEC
SCL 2/1

C-C SEC (5 PL.)
SCL 2/1

D-D SEC
SCL 2/1

E-E SEC
SCL 2/1

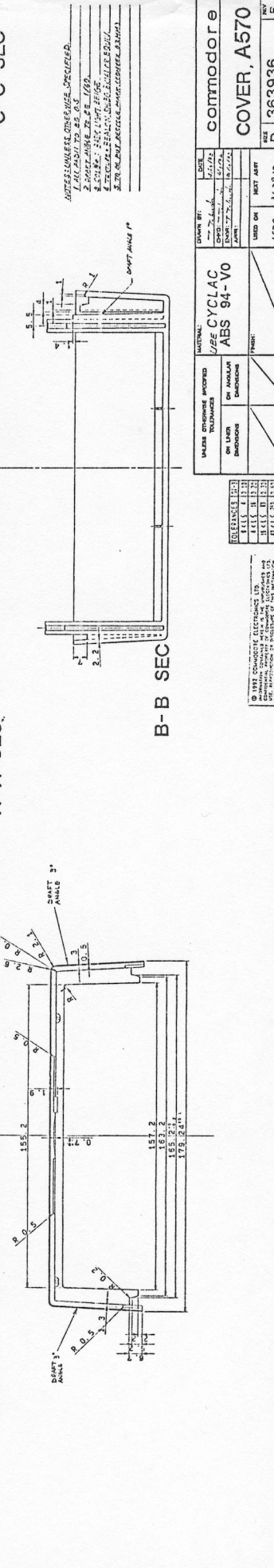
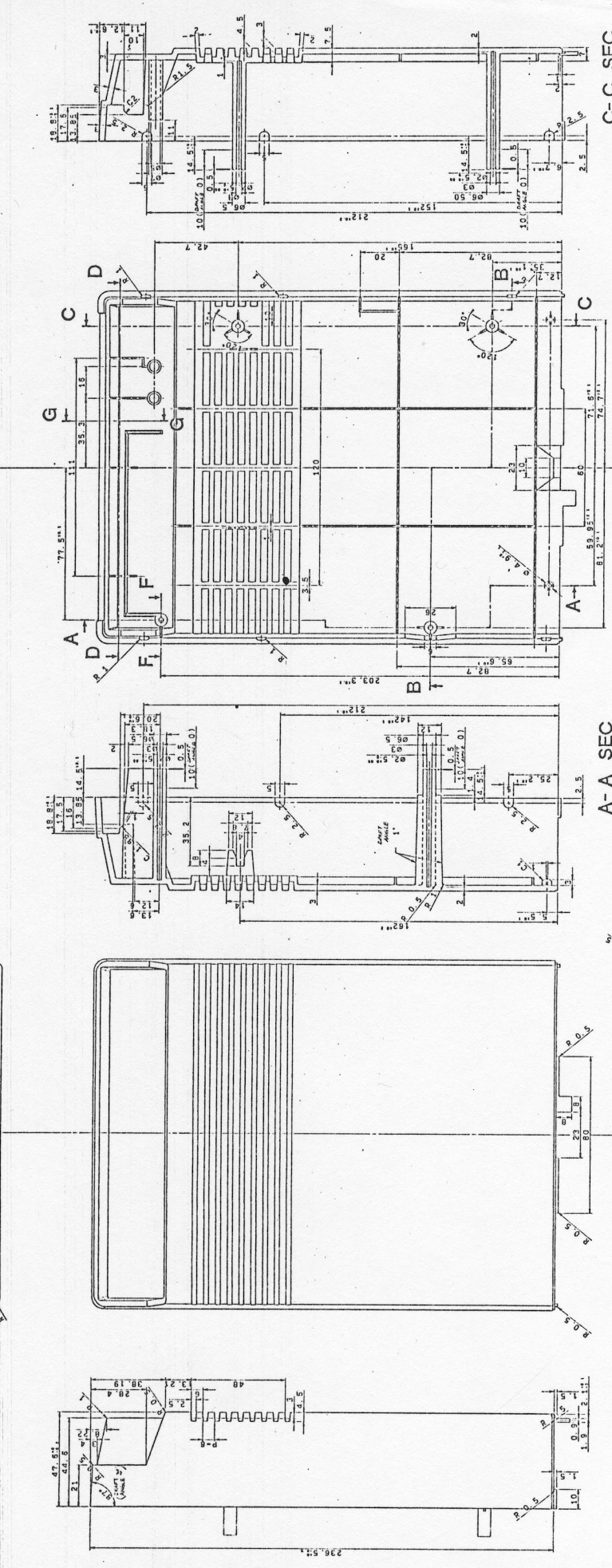
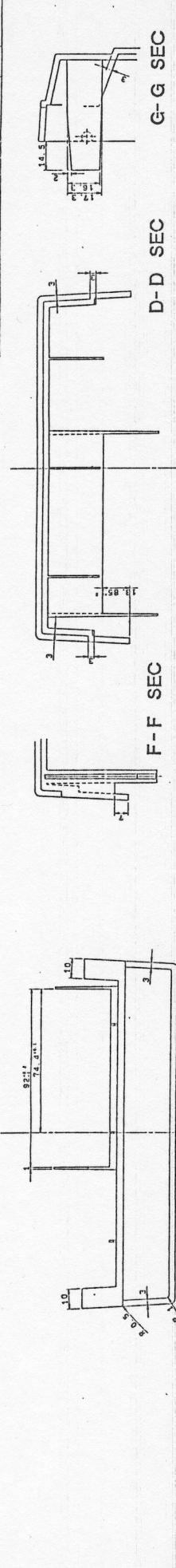
NOTES: UNLESS OTHERWISE SPECIFIED
1. ALL DIMENSIONS IN INCHES
2. ALL DIMENSIONS TO FACE UNLESS OTHERWISE SPECIFIED
3. UNLESS OTHERWISE SPECIFIED

UNLESS OTHERWISE SPECIFIED	UNLESS OTHERWISE SPECIFIED	UNLESS OTHERWISE SPECIFIED	UNLESS OTHERWISE SPECIFIED
SPCC	t = 1.2	commodore	BASE, A570
ZINC CHROMATE	ART MET	A570	363941
			1/1

REVISIONS	DATE	DESCRIPTION
1	1/20/57	RELEASE
2	1/20/57	REVISION

© 1957 COMMERCIAL ELECTRIC SUPPLY CO. INC. ALL RIGHTS RESERVED. THIS DRAWING IS THE PROPERTY OF COMMERCIAL ELECTRIC SUPPLY CO. INC. AND IS LOANED TO YOU BY THE ARCHITECT. IT IS NOT TO BE REPRODUCED OR COPIED IN ANY MANNER WITHOUT THE WRITTEN PERMISSION OF COMMERCIAL ELECTRIC SUPPLY CO. INC.

REVISIONS			
LTR	NO	DESCRIPTION	DATE APPROVED
A	1	PILOT PRODUCTION RELEASE	1/27/54
B	2	PRODUCTION RELEASE	1/27/54



- 1. MATERIALS CHECKED
- 2. DIMENSIONS CHECKED
- 3. WEIGHT CHECKED
- 4. TESTS CHECKED
- 5. FINISH CHECKED

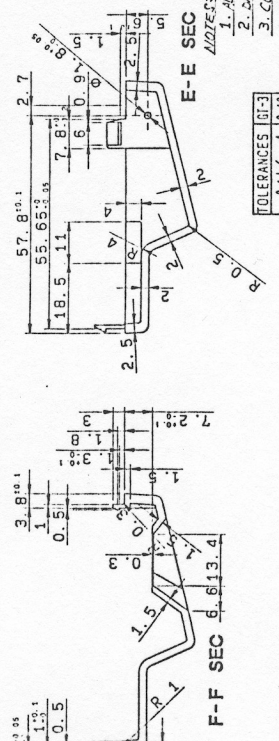
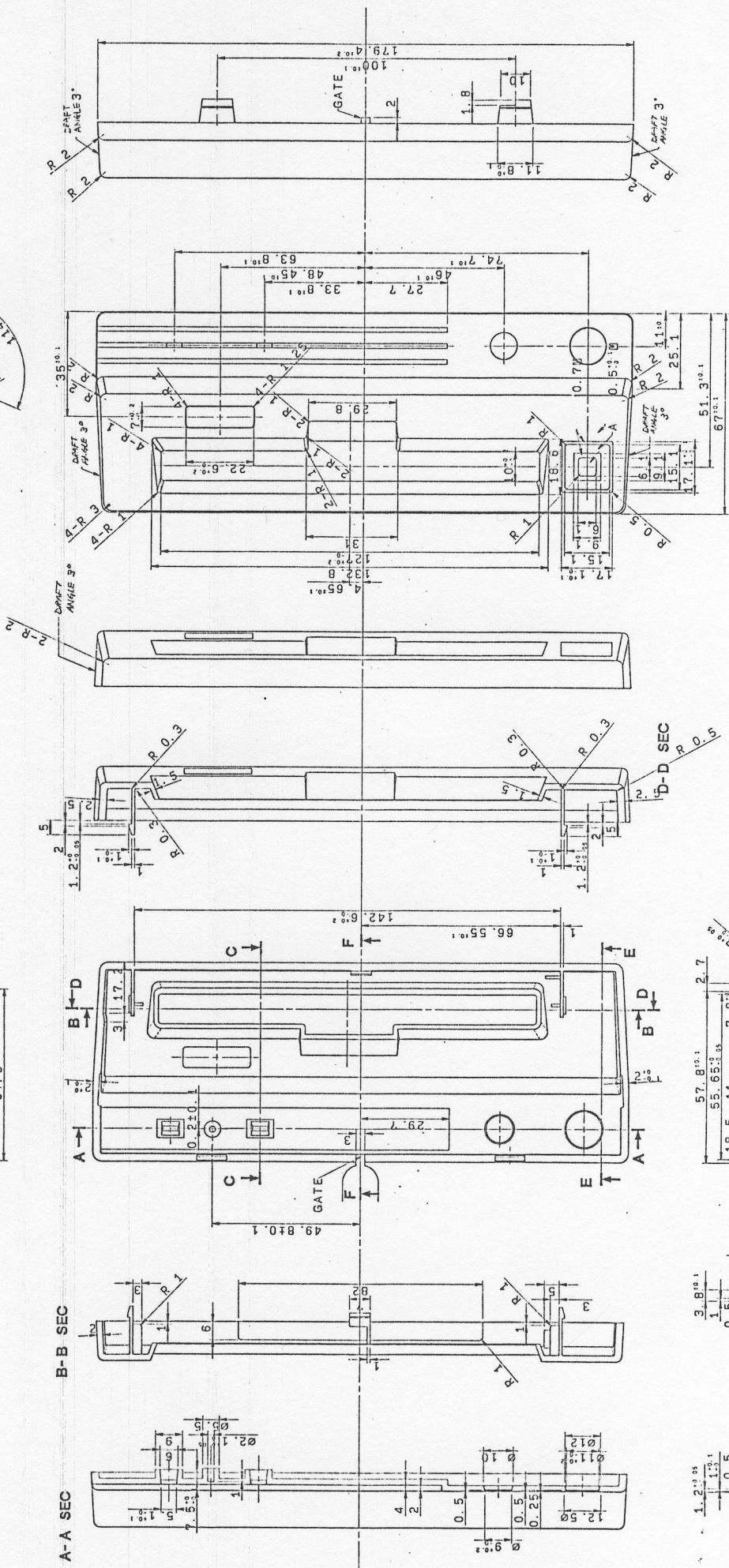
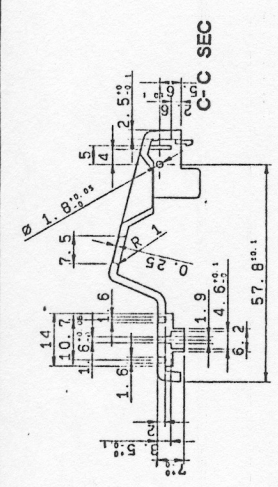
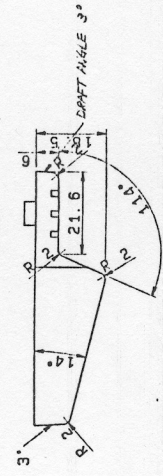
UNLESS OTHERWISE INDICATED BY DIMENSIONS	USUAL	EXTREMELY HIGH	STRENGTH	TEMPERATURE

UNLESS OTHERWISE INDICATED BY DIMENSIONS	USUAL	EXTREMELY HIGH	STRENGTH	TEMPERATURE

COMMODORE	COVER, A570
D 363936	REV 1/1
363932	A570

© 1953 COMMERCIAL ELECTRONICS LTD. ALL RIGHTS RESERVED. THIS DRAWING IS THE PROPERTY OF COMMERCIAL ELECTRONICS LTD. IT IS TO BE USED ONLY FOR THE PURPOSES SPECIFIED AND IS NOT TO BE REPRODUCED OR TRANSMITTED IN ANY FORM OR BY ANY MEANS, ELECTRONIC, MECHANICAL, PHOTOCOPYING, RECORDING, OR BY ANY INFORMATION STORAGE AND RETRIEVAL SYSTEM.

REVISIONS		DATE	APPROVED
LTR ZONE	DESCRIPTION		
A	PILOT PRODUCTION RELEASE	12/2/72	SKK
B	FRODO T.T.V. RELEASE	7/2/73	SKK



- NOTES: UNLESS OTHERWISE SPECIFIED.
1. ALL RADII TO BE 0.5.
 2. DRAFT ANGLE TO BE 1/40.
 3. COLOR: BRIGHT LIGHT BEIGE.
 4. TEXTURE: BLACK MAT BELLEROP.
 5. TO BE PUT RECYCLE MARK (COMM-FORMAL).

TOLERANCES	0-13
R C L S	0.10
R C L S	0.20
R C L S	0.30
R C L S	0.50
250 R C L S	0.80

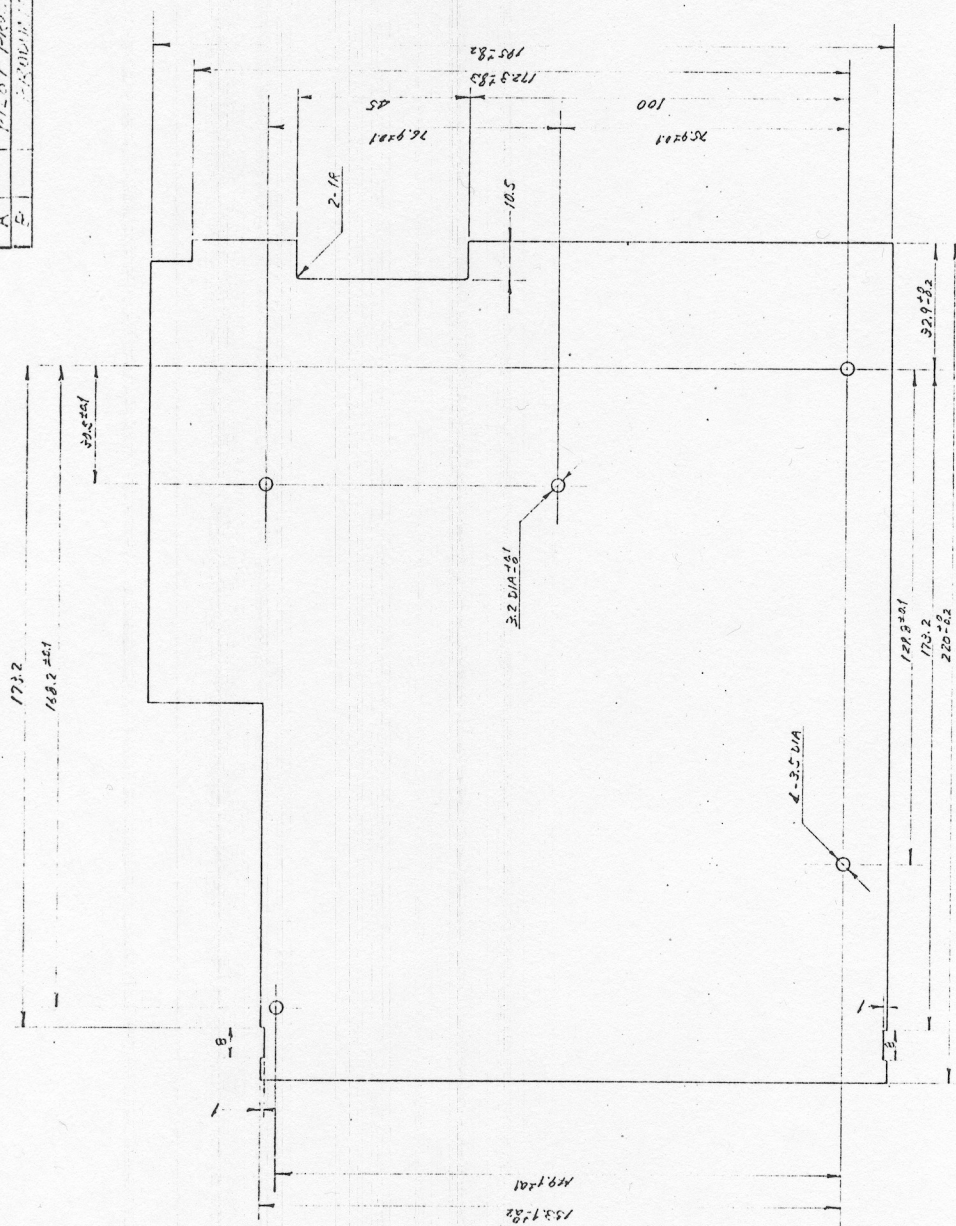
© 1972 COMMODORE ELECTRONICS LTD.
 THIS DOCUMENT IS THE UNCLASSIFIED AND UNCONTROLLED VERSION OF THIS INFORMATION.
 REPRODUCTION OR DISSEMINATION OF THIS INFORMATION IS PROHIBITED WITHOUT THE WRITTEN PERMISSION OF COMMODORE ELECTRONICS LTD.
 ALL RIGHTS RESERVED.

MATERIAL:	ABS 94-V0	FINISH:	
UNLESS OTHERWISE SPECIFIED TOLERANCES	ON LINEAR DIMENSIONS	ON ANGULAR DIMENSIONS	
DATE	5/1/73	DRAWN BY:	T. J. L. L.
ENGR:	7/2/73	CHKD:	7/2/73
APPR:	7/2/73	ENG:	7/2/73
USED ON	A570	NEXT ASST	363932
COMMODORE	BEZEL, A570	SCALE	1/1
REV B		SHEET	1 OF 1
SIZE C	363911		

THIRD ANGLE SYSTEM DIMENSIONING E10 300-8805

REVISIONS

REV	ZONE	DESCRIPTION	DATE	APPROVED
A		PILOT PRODUCTION RELEASE	8/24/72	STC
B		PRODUCTION RELEASE	8/24/72	STC



2 FINISH = SOLDER RESIST MASK BOTH SIDES AND
COMMERCIAL COMPONENT SOLDER.
1. MATERIAL = 12 THICK - 1/2 OZ COPPER CLAD GFRS
EPOXY G10 OR EQUIV.
NOTES = UNLESS OTHERWISE SPECIFIED.

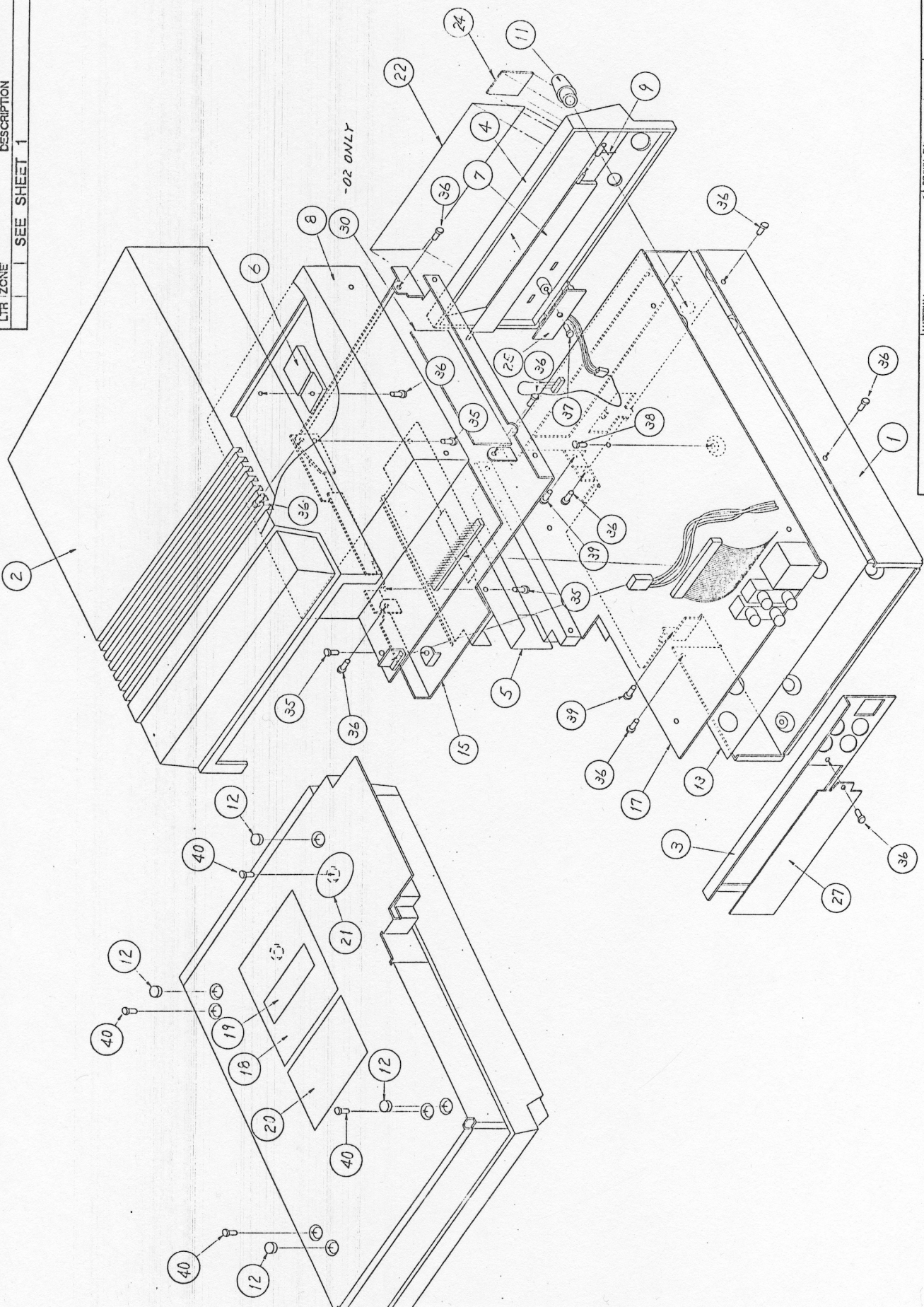
DRAWN BY: <i>Z. T. ...</i>		DATE: 8/24/72
CHECKED: <i>Z. T. ...</i>	DATE: 8/24/72	
ENGR: <i>Z. T. ...</i>	DATE: 8/24/72	
APPR: <i>Z. T. ...</i>	DATE: 8/24/72	
MATERIAL: SEE NOTE 1		USED ON: A570
UNLESS OTHERWISE SPECIFIED TOLERANCES:	ON LINEAR DIMENSIONS	ON ANGULAR DIMENSIONS
FINISH: SEE NOTE 2		NEXT ASSY: 313708
COMMODORE		PCB FAB. A-570
SIZE: C	363912	REV: B
SCALE: 1/1	SHEET: 1	OF: 1

© 1992 COMMODORE ELECTRONICS LTD.
THIS DOCUMENT IS THE UNCLASSIFIED AND
UNCONTROLLED VERSION OF THE INFORMATION
CONTAINED HEREIN. IT IS THE PROPERTY OF
COMMODORE ELECTRONICS LTD. AND IS TO BE
USED, REPRODUCED OR DISCLOSED IN ANY MANNER
WITHOUT THE WRITTEN PERMISSION OF COMMODORE
ELECTRONICS LTD. ALL RIGHTS RESERVED.

REVISIONS
 LTR / ZONE SEE SHEET 1

DATE APPROVED
 11/1/72

DESCRIPTION
 SEE SHEET 1

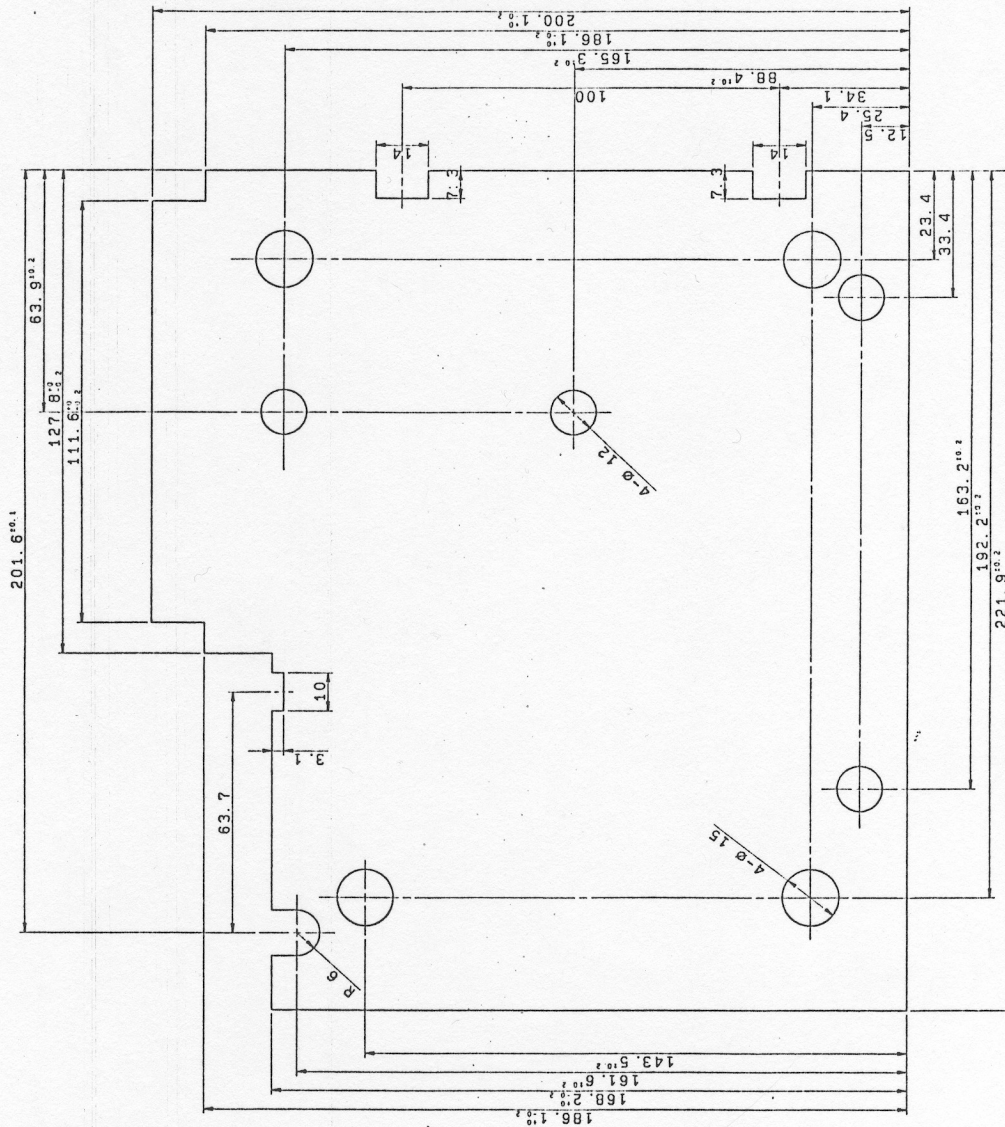


commodore		DATE	11/1/72
MAIN ASSY, A570		CHKD.	J64424
SIZE	C	ENGR.	J64424
REV	D	APPR.	J64424
SCALE	NONE	USED ON	A570
SHEET	3	NEXT ASSY	J64424

UNLESS OTHERWISE SPECIFIED	TOLERANCES	MATERIAL:
ON LINEAR DIMENSIONS	ON ANGULAR DIMENSIONS	FINISH:

REVISIONS

LTR ZONE	DESCRIPTION	DATE	APPROVED
A	PILOT PRODUCTION RELEASE	7/27/72	SJK
B	PRODUCTION RELEASE	7/27/72	SJK



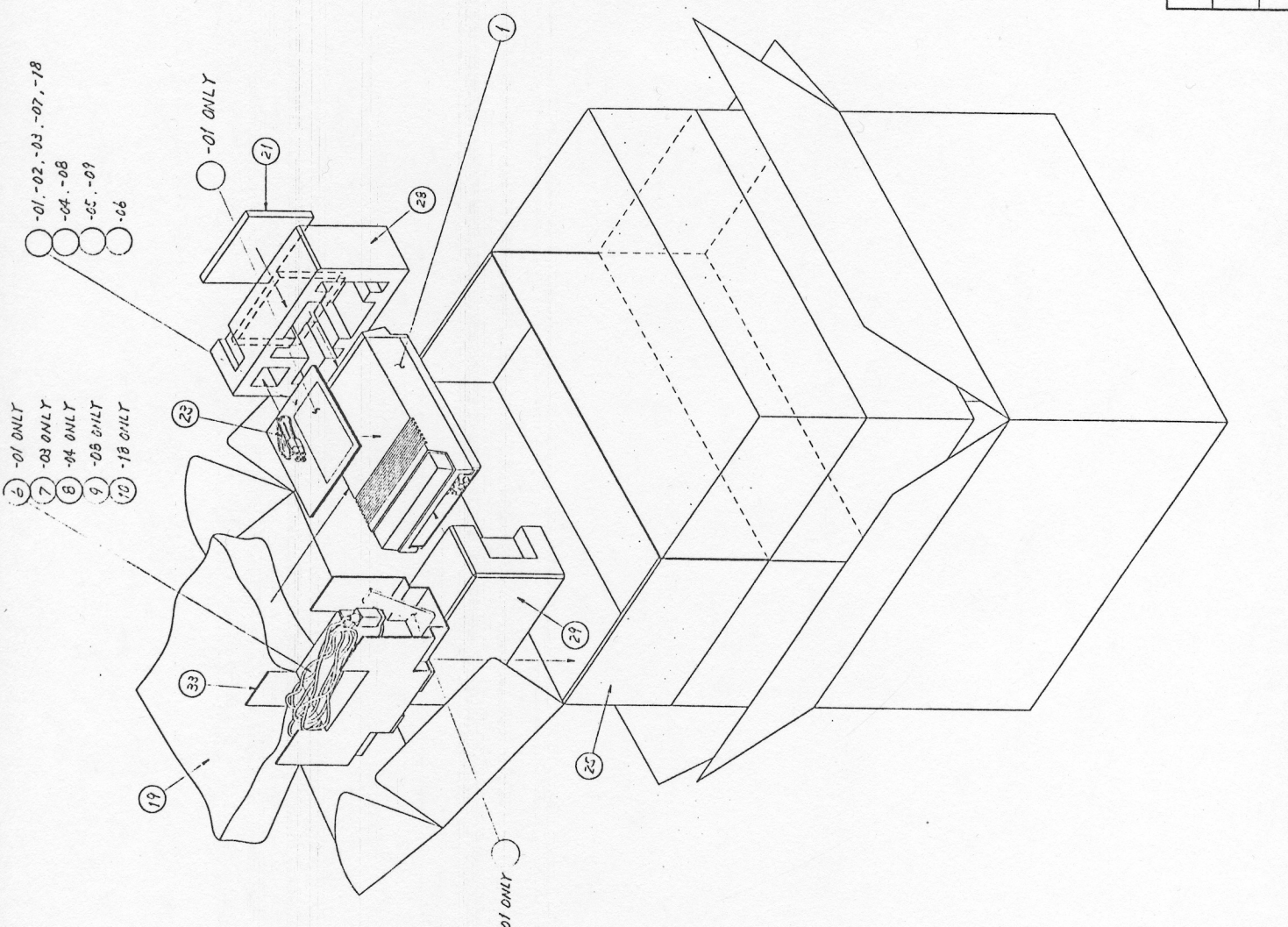
UNLESS OTHERWISE SPECIFIED TOLERANCES	MATERIAL:	DRAWN BY:	DATE:
ON LNER DIMENSIONS	VINYL CHLORIDE	T. J. Keeler	4/11/72
ON ANNUAL DIMENSIONS	t = 0.2	CHKD BY: S. J. Keeler	5/11/72
		ENGR. BY: S. J. Keeler	5/11/72
		APPR:	
		USED ON	NEXT ASSY
		A-570	363932

TOLERANCES (Ø)	Ø < 1.5	1.5 < 4	4 < 10	10 < 25	25 < 50	50 < 100	100 < 150	150 < 200	200 < 300	300 < 500	500 < 1000
±	0.10	0.15	0.20	0.30	0.40	0.50	0.60	0.70	0.80	1.00	1.20

commodore
INSULATION
SHEET, A570
 SIZE C 363938
 SCALE 1/1 SHEET 1 OF 1

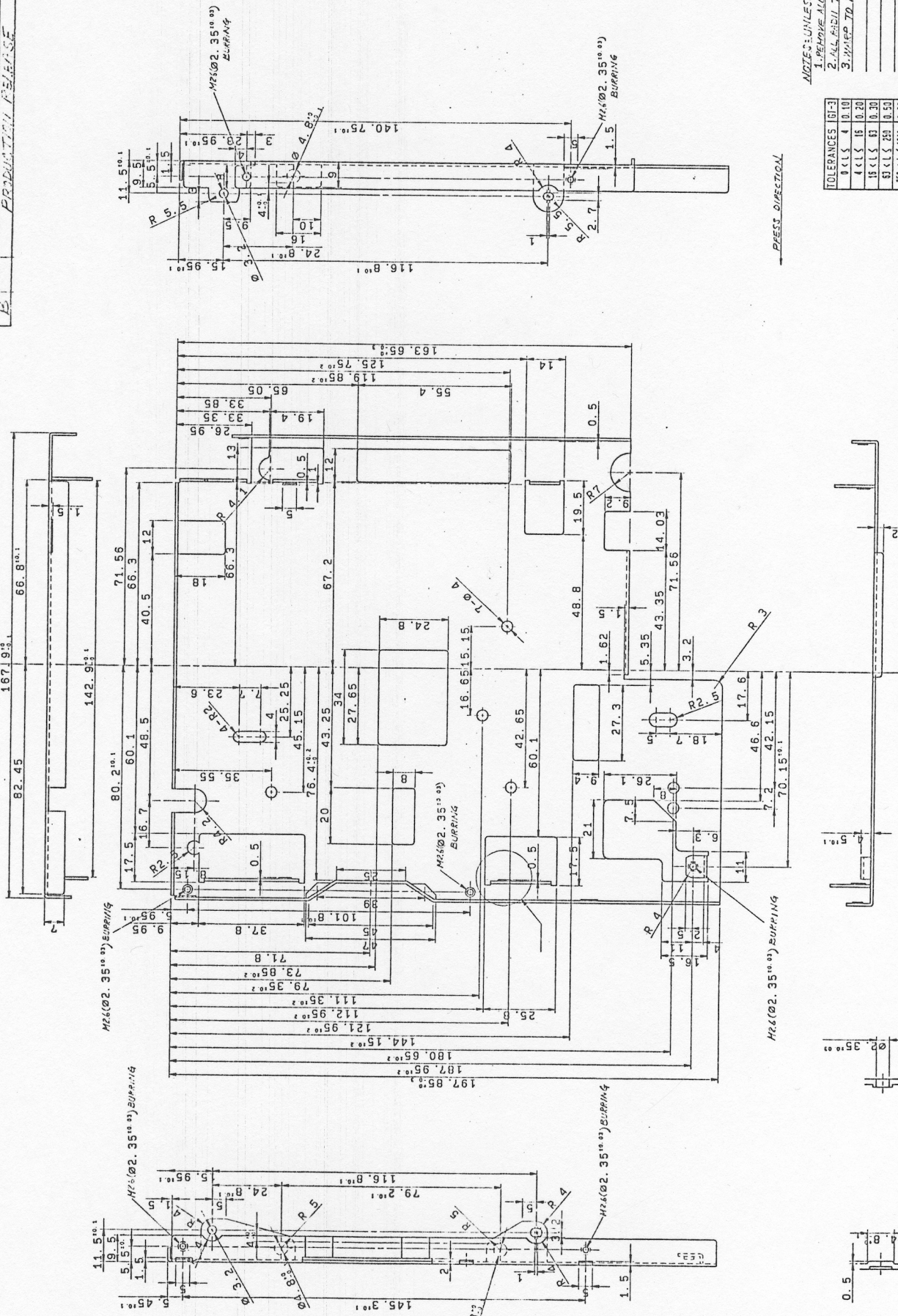
COMMODORE ELECTRONICS LTD.
 IN CONTAINED HEREIN IS THE UNPUBLISHED AND UNREGISTERED DESIGN OF THE INSULATION SHEET, A570, WHICH IS THE PROPERTY OF COMMODORE ELECTRONICS LTD. ALL RIGHTS RESERVED.

LTR ZONE	SEE SHEET 1	REVISIONS	DATE APPROVED
		DESCRIPTION	DATE APPROVED



UNLESS OTHERWISE SPECIFIED TOLERANCES	MATERIAL:	DRAWN BY: T. Thibault	DATE: 5/24/81	commodore	
				ON LINEAR DIMENSIONS	ON ANGULAR DIMENSIONS
		CHKD: T. Thibault		USED ON:	SCALE: 1/2"=1"
		ENGR: T. Thibault		NEXT ASST:	THIRD ANGLE SYSTEM DIMENSION: mm ESO 300-8005
		APPR:		A570	SIZE: C
					REV: D
					SHEET 2 OF 3
					364424
					536890

REVISIONS		DATE	APPROVED
LTR ZONE	DESCRIPTION		
A	PILOT PRODUCTION RELEASE	7/20/72	SCL
B	PRODUCTION RELEASE	7/20/72	SCL



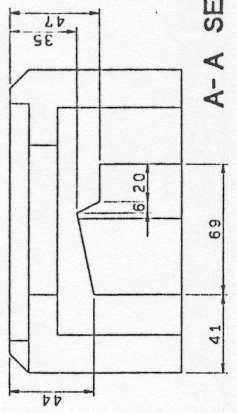
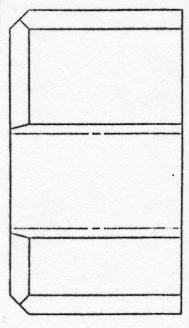
DRAWN BY: <i>[Signature]</i>		DATE: 7/20/72
CHKD BY: <i>[Signature]</i>		DATE: 7/20/72
ENGR: <i>[Signature]</i>		DATE: 7/20/72
APPR: <i>[Signature]</i>		DATE: 7/20/72
USED ON: A570	EXT ASST: 363932	
MATERIAL: EGC-C20-20 t = 1.0		
FINISH: PLATE ZINC CHROMIUM		
UNLESS OTHERWISE SPECIFIED ON LINEAR DIMENSIONS		
ON ANGULAR DIMENSIONS		

DETAIL "A" (3PL)
SCL = 2/1

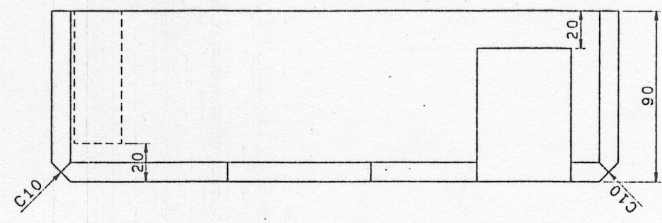
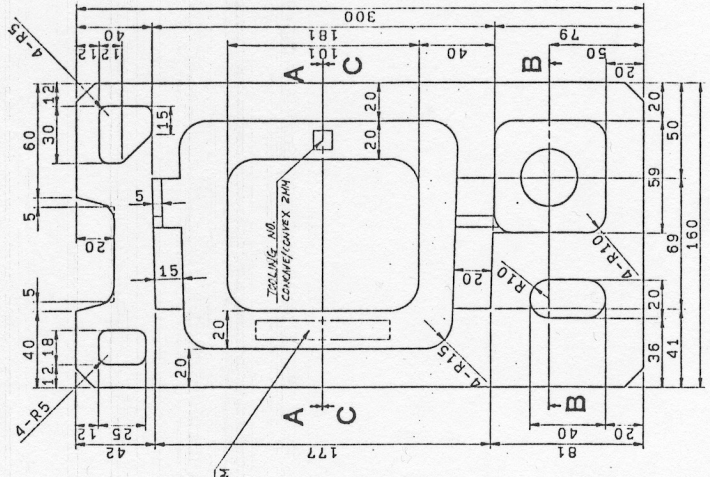
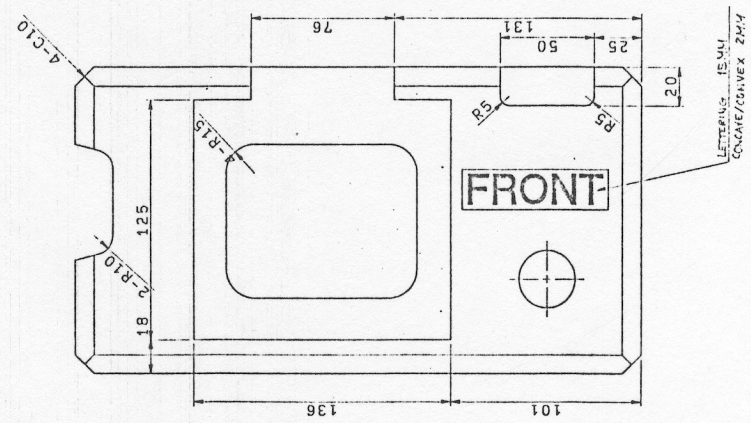
DETAIL BURNING (7 PL)
SCL = 2/1

© 1972 COMMODORE ELECTRONICS LTD.
INFORMATION CONTAINED HEREIN IS THE UNCLASSIFIED AND UNCONTROLLED PROPERTY OF COMMODORE ELECTRONICS LTD. USE IN ANY MANNER WITHOUT THE PRIOR WRITTEN PERMISSION OF COMMODORE IS STRICTLY PROHIBITED. ALL RIGHTS RESERVED.

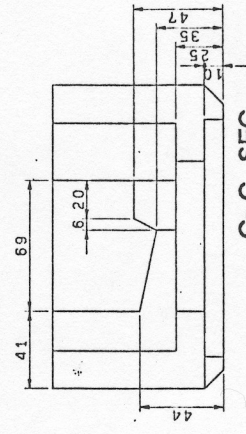
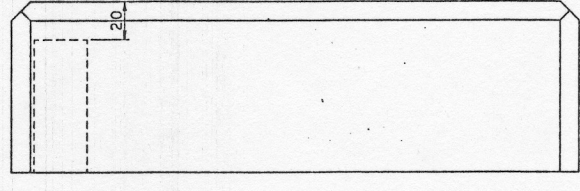
REVISIONS		DATE	APPROVED
LTR ZONE	DESCRIPTION		
A	POST PRODUCTION RELEASE	12/20/72	SSN
B	PREDUCTION RELEASE	7/21/73	SSN



A-A SEC



B-B SEC



C-C SEC

UNLESS OTHERWISE SPECIFIED TOLERANCES		MATERIAL:	
ON LINEAR DIMENSIONS	ON ANGULAR DIMENSIONS	DATE	4/11/72
		CHKD: Z. Z. Z. Z.	4/11/72
		ENGR: Z. Z. Z. Z.	4/11/72
		APPR:	
		USED ON	ASTO 864424
		NEXT ASST	

comodore

FOAM PACKING, FRONT

SIZE	C	REV	B
	364877		
SCALE	1/2	SHEET	1 OF 1

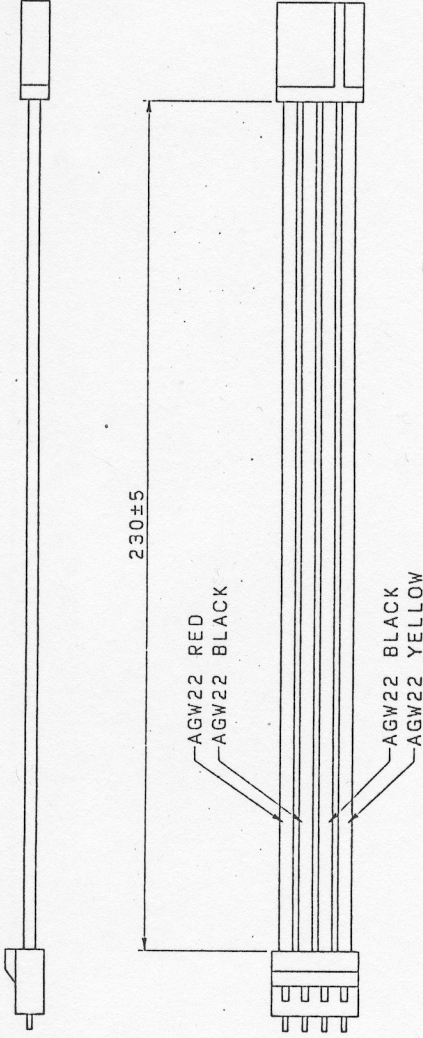
NOTES - UNLESS OTHERWISE SPECIFIED
 1. DENT ANGLE TO BE 1/50 MAX.
 2. ALL RADI TO BE 5.

132 COMMODORE ELECTRONICS LTD.
 MAINTAINING DESIGN IS THE UNDEVELOPED AND UNCONSIDERED FOR THE PURPOSES OF THIS INFORMATION.
 CONSTRUCTION OR REPRODUCTION OF THIS INFORMATION IS PROHIBITED. ALL RIGHTS RESERVED.

REVISIONS				
LTR	ZONE	DESCRIPTION	DATE	APPROVED
A		PILOT PRODUCTION RELEASE	6/23/72	SSK
B		PRODUCTION RELEASE	7/6/72	SSK

AMP
HOUSING 172520-4
TERMINAL 172782-2

AMP
HOUSING 171822-4
TERMINAL 170262-2



UNLESS OTHERWISE SPECIFIED TOLERANCES		MATERIAL:		DRAWN BY: T. J. Kucala		DATE: 4/18/72	
ON LITER DIMENSIONS	ON ANGULAR DIMENSIONS	FINISH:		CHKD: T. J. Kucala	1/24/72	NEXT ASSY: 363908	
				ENGR: T. J. Kucala	4/14/72	USED ON: A570	SCALE: NONE
				APPR:		SIZE: B	SHEET 1 OF 1

commodore

HARNESS ASSY,
DISK POWER

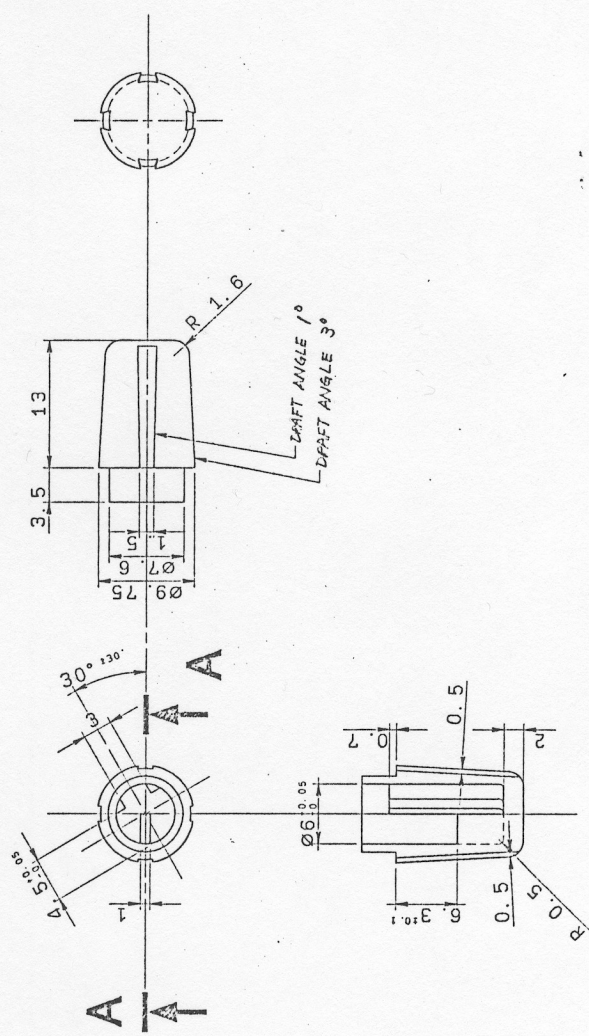
363931

REV	B
APPROVED	SSK

© 1992 COMMODORE ELECTRONICS, LTD.
INFORMATION CONTAINED HEREIN IS THE UNPUBLISHED AND
CONFIDENTIAL PROPERTY OF COMMODORE ELECTRONICS LTD.
USE, REPRODUCTION OR DISCLOSURE OF THIS INFORMATION
WITHOUT THE PRIOR WRITTEN PERMISSION OF COMMODORE
IS STRICTLY PROHIBITED. ALL RIGHTS RESERVED

REVISIONS

LTR	ZONE	DESCRIPTION	DATE	APPROVED
A		PILOT PRODUCTION RELEASE	6/22/92	SSK
B		PRODUCTION RELEASE	7/1/92	SSK



A - A SEC

NOTES: UNLESS OTHERWISE SPECIFIED

1. ALL RADII TO BE 1.
2. COLOR = BASIC LIGHT BEIGE.
3. TEXTURE = BEACH SHED BK110LOR EQUIV.

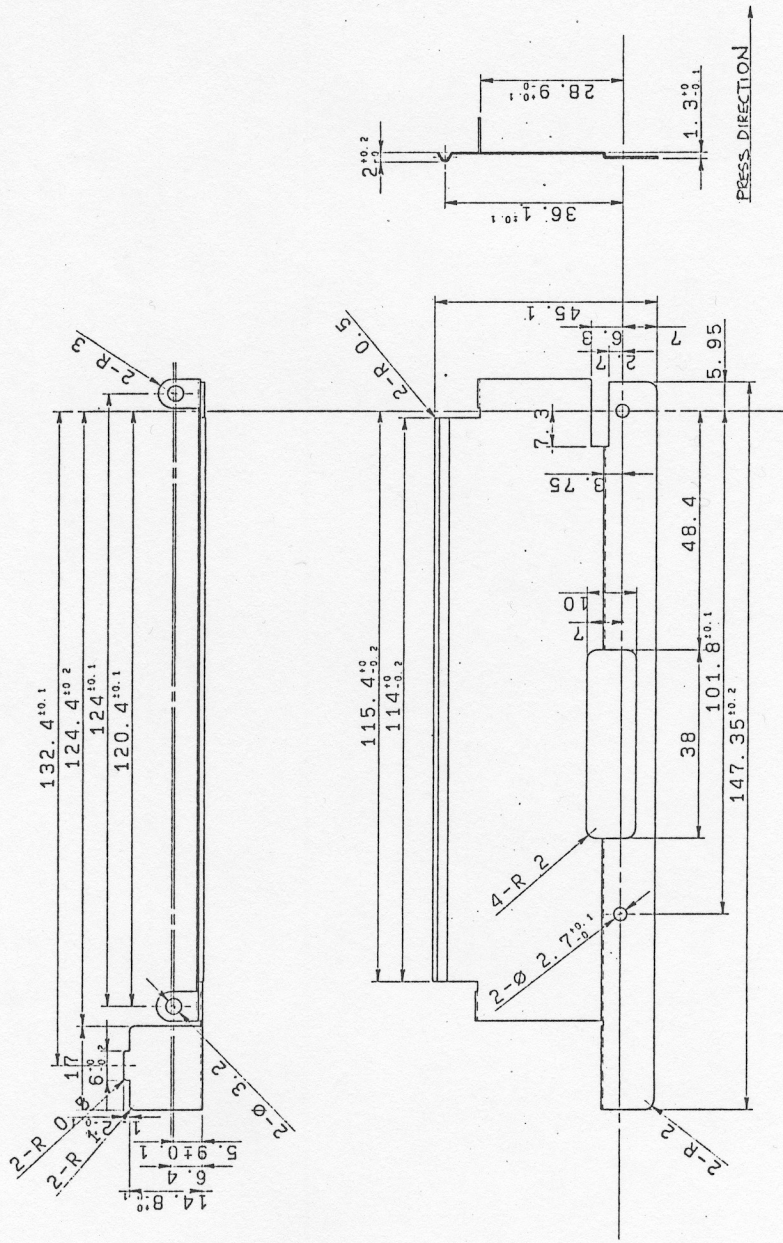
TOLERANCES	GT-3
0 < L S	4 0.10
4 < L S	16 0.20
16 < L S	63 0.30
63 < L S	250 0.50
250 < L S	1000 0.80

© 1992 COMMODORE ELECTRONICS LTD.
 INFORMATION CONTAINED HEREIN IS THE UNPUBLISHED AND
 CONFIDENTIAL PROPERTY OF COMMODORE ELECTRONICS LTD.
 REPRODUCTION OR TRANSMISSION IN ANY FORM OR BY ANY
 MEANS WITHOUT THE PRIOR WRITTEN PERMISSION OF COMMODORE
 IS STRICTLY PROHIBITED. ALL RIGHTS RESERVED

DRAWN BY: 77kudo		DATE: 4/13/92	commodore KNOB, VOLUME, A570	REV: B	
CHKD: 77kudo		4/13/92		SCALE: 2/1	SHEET: 1 OF 1
ENGR: 77kudo		4/13/92		NEXT ASSY: 363932	
APPR:				USED ON: A570	
MATERIAL: UBECYCOLAC ABS 94-V0		FINISH:			
UNLESS OTHERWISE SPECIFIED TOLERANCES					
ON LNER DIMENSIONS	ON ANGULAR DIMENSIONS				

REVISIONS

LTR ZONE	DESCRIPTION	DATE	APPROVED
A	PILOT PRODUCTION RELEASE	6/22/92	SSK
B	PRODUCTION RELEASE	7/6/92	SSK



© 1992 COMMODORE ELECTRONICS LTD.
 INFORMATION CONTAINED HEREIN IS THE UNPUBLISHED AND
 CONFIDENTIAL PROPERTY OF COMMODORE ELECTRONICS LTD.
 USE, REPRODUCTION OR DISCLOSURE OF THIS INFORMATION
 WITHOUT THE PRIOR WRITTEN PERMISSION OF COMMODORE
 IS STRICTLY PROHIBITED. ALL RIGHTS RESERVED

commodore
SHIELD, A570
 EMI, A570

SIZE	REV
B 363939	B
SCALE 1/1	SHEET 1 OF 1

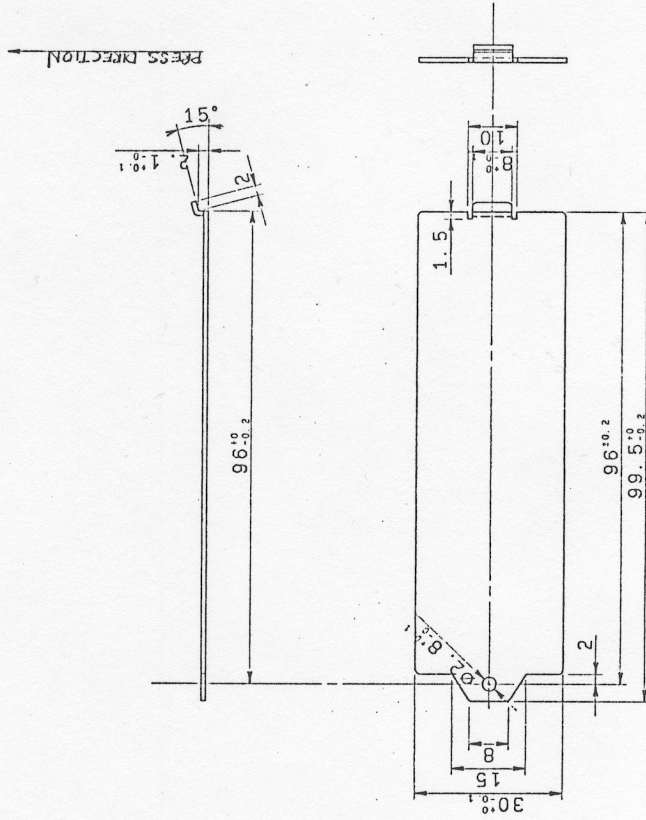
MATERIAL:	SPCC
UNLESS OTHERWISE SPECIFIED TOLERANCES	$t = 0.4$
ON LINDER DIMENSIONS	ON ANGULAR DIMENSIONS
FINISH:	PLATE ZINC CHROMATE
USED ON	NEXT ASSY
A570	363932

- NOTES: UNLESS OTHERWISE SPECIFIED
 1. REMOVE ALL BURRS AND SHARP EDGES.
 2. ALL RADII TO BE 1.
 3. HARP TO BE 0.2 MAX.

TOLERANCES	61-3
0 < L < 4	0.10
4 < L < 16	0.20
16 < L < 63	0.30
63 < L < 250	0.50
250 < L < 1000	0.80

REVISIONS

LTR	ZONE	DESCRIPTION	DATE	APPROVED
A		PILOT PRODUCTION RELEASE	6/22/72	SKL
B		PRODUCTION RELEASE	7/6/72	SKL



© 1992 COMMODORE ELECTRONICS LTD.
 INFORMATION CONTAINED HEREIN IS THE UNPUBLISHED AND
 CONFIDENTIAL PROPERTY OF COMMODORE ELECTRONICS LTD.
 NO PART OF THIS DOCUMENT IS TO BE REPRODUCED OR
 TRANSMITTED IN ANY FORM OR BY ANY MEANS, ELECTRONIC
 WITHOUT THE PRIOR WRITTEN PERMISSION OF COMMODORE
 IS STRICTLY PROHIBITED. ALL RIGHTS RESERVED.

DRAWN BY:		DATE
CHKD: T. T. H. C. H.		4/10/72
ENGR: T. T. H. C. H.		4/10/72
APPR:		
USED ON	NEXT ASSY	
A570	363P32	

MATERIAL:		SPCC
UNLESS OTHERWISE SPECIFIED TOLERANCES		t = 1.0
ON LINEAR DIMENSIONS	ON ANGULAR DIMENSIONS	
FINISH:		PLATE ZINC CHROMATE

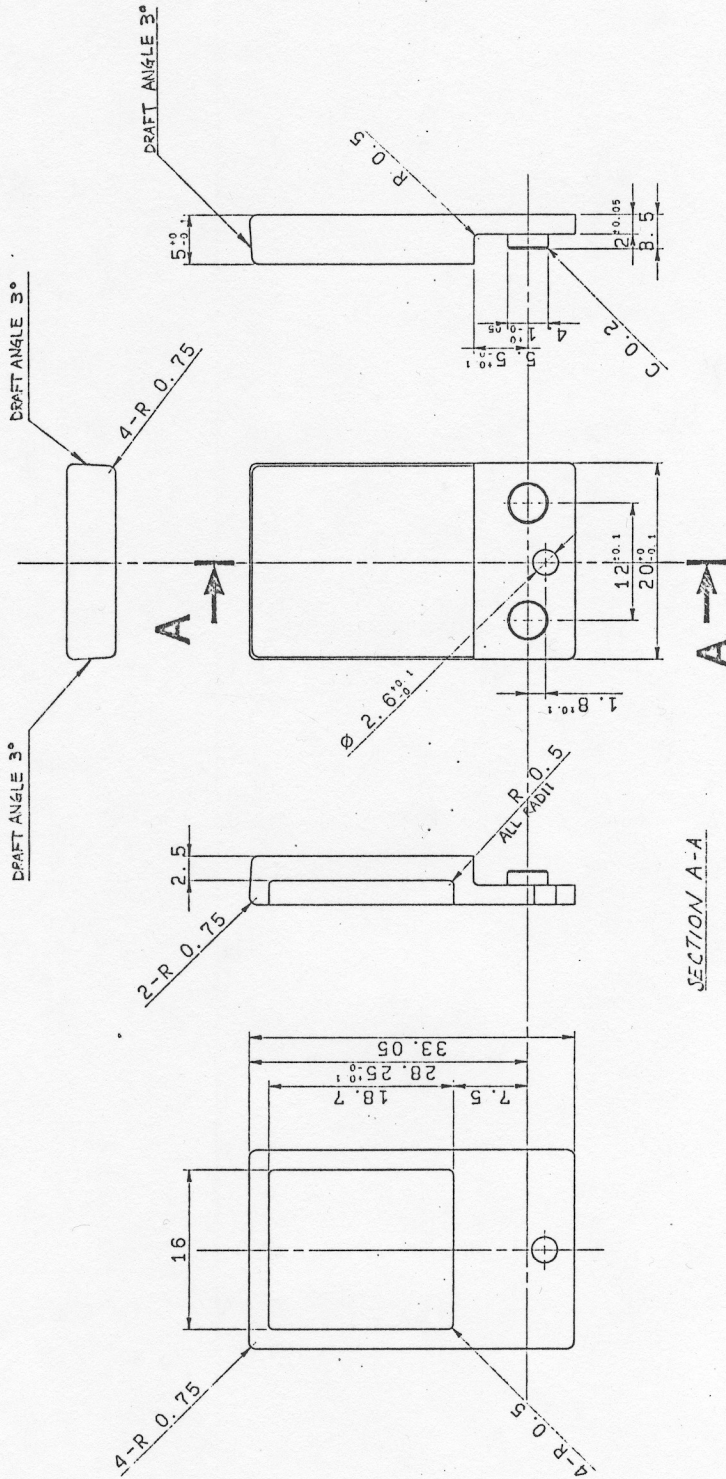
- NOTES: UNLESS OTHERWISE SPECIFIED.
- REMOVE ALL BURRS AND SHARP EDGES.
 - ALL RADII TO BE 1
 - MAX. TO BE 0.2 MAX.

TOLERANCES	GT-3
0 < L < 4	0.10
4 < L < 16	0.20
16 < L < 63	0.30
63 < L < 250	0.50
250 < L < 1000	0.80

commodore
**PLATE, EXPANSION
 BLANK**
 SIZE B 364301 REV B
 SCALE 1/1 SHEET 1 OF 1

REVISIONS

LTR	ZONE	DESCRIPTION	DATE	APPROVED
A		PILOT PRODUCTION RELEASE	6/22/82	SSK
B		PRODUCTION RELEASE	7/16/82	SSK



© 1992 COMMODORE ELECTRONICS LTD.
 INFORMATION CONTAINED HEREIN IS THE UNPUBLISHED AND
 CONFIDENTIAL PROPERTY OF COMMODORE ELECTRONICS LTD.
 USE, REPRODUCTION OR DISSEMINATION OF THIS INFORMATION
 WITHOUT THE WRITTEN PERMISSION OF COMMODORE
 IS STRICTLY PROHIBITED. ALL RIGHTS RESERVED

commodore
EJECT PIN,
CD-ROM, A570

DATE: 4/10/82
 DRAWN BY: Z. Z. Z. Z.
 CHK'D: T. Z. Z. Z.
 ENGR: T. Z. Z. Z.
 APPR: 4/10/82

USED ON: A570
 NEXT ASSY: 363932

SIZE: B 364324
 REVISION: B

SCALE: 2/1
 SHEET: 1 OF 1

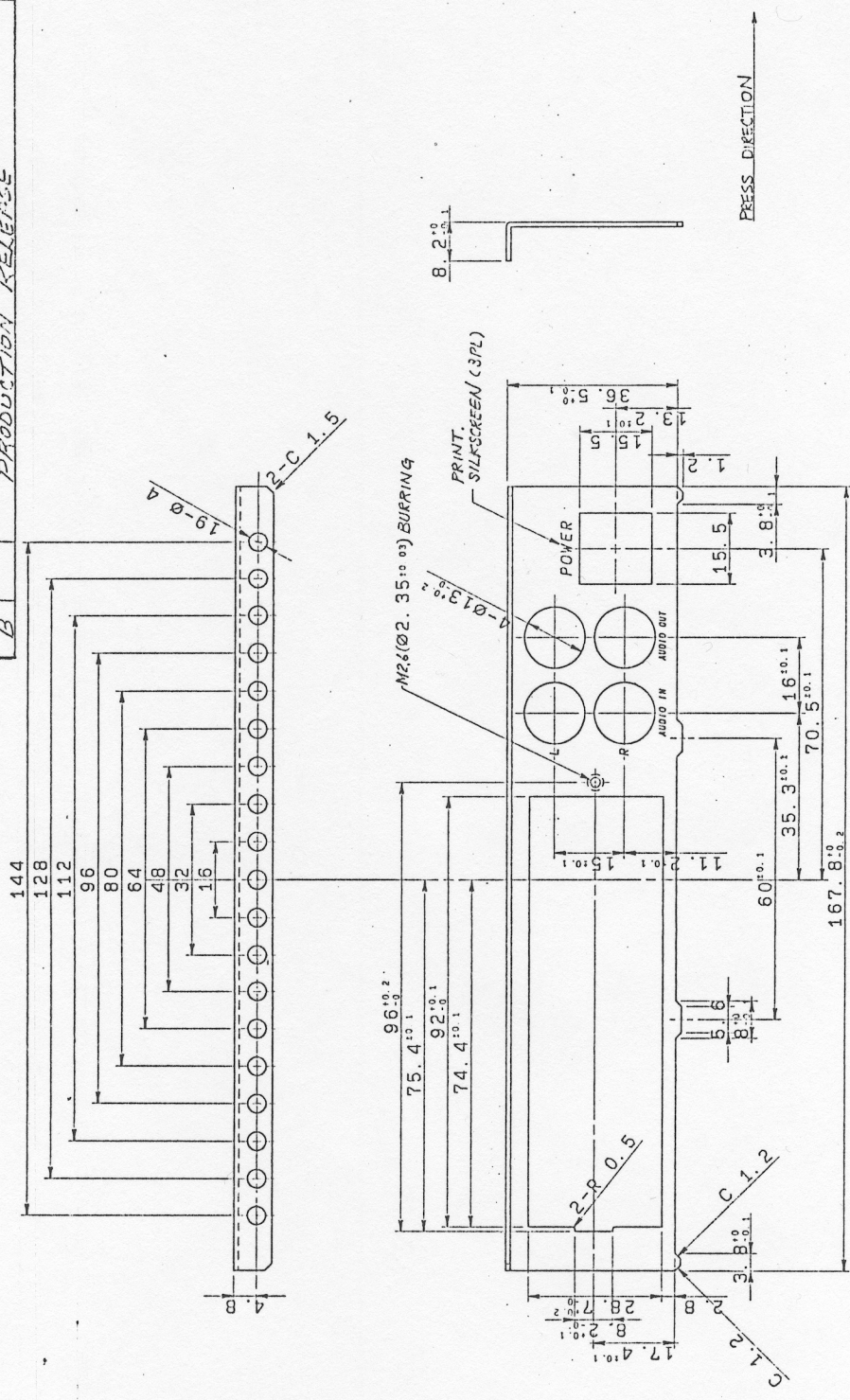
MATERIAL:	UNLESS OTHERWISE SPECIFIED TOLERANCES	ON LINEAR DIMENSIONS	ON ANGULAR DIMENSIONS	FINISH:
UBECYCOLAC ABS 94-V0				

- NOTES: UNLESS OTHERWISE SPECIFIED
- ALL PADD TO BE 1
 - DRAFTING ANGLE TO BE 3° MAX.
 - COLOR: BASIC LIGHT BEIGE
 - TEXTURE: BEALC/SHIBO BK/ELLS EQUIV.

TOLERANCES	61-3
0 < L < 4	± 0.10
4 < L < 16	± 0.20
16 < L < 63	± 0.30
63 < L < 250	± 0.50
250 < L < 1000	± 0.80

REVISIONS

LTR	ZONE	DESCRIPTION	DATE	APPROVED
A		PILOT PRODUCTION RELEASE	6/22/72	SSK
B		PRODUCTION RELEASE	7/8/72	SSK



© 1972 COMMODORE ELECTRONICS LTD.
 INFORMATION CONTAINED HEREIN IS THE UNPUBLISHED AND
 CONFIDENTIAL PROPERTY OF COMMODORE ELECTRONICS LTD.
 NO PART OF THIS DOCUMENT IS TO BE REPRODUCED OR
 USED IN ANY MANNER WITHOUT THE WRITTEN PERMISSION OF COMMODORE
 ELECTRONICS LTD. ALL RIGHTS RESERVED.

DRAWN BY: <i>T. F. Howard</i>		DATE: <i>4/10/72</i>
CHKD: <i>T. F. Howard</i>		<i>4/10/72</i>
ENGR: <i>T. F. Howard</i>		<i>4/13/72</i>
APPR:		
USED ON	NEXT ASSY	
A570	363932	

MATERIAL:		SPCC
UNLESS OTHERWISE SPECIFIED TOLERANCES		$t = 1.0$
ON LINES DIMENSIONS	ON ANGULAR DIMENSIONS	
FINISH:		PLATE ZINC CROMATE

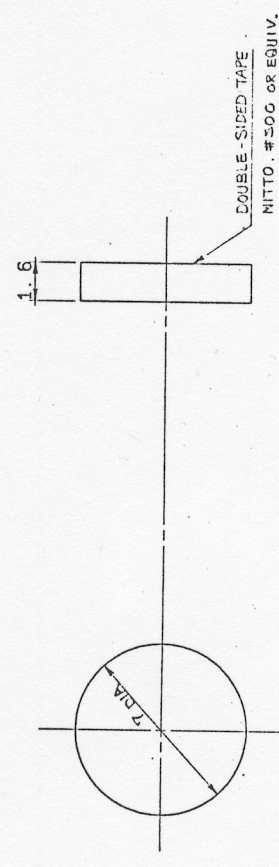
- NOTES: UNLESS OTHERWISE SPECIFIED
- REMOVE ALL BURRS AND SHARP EDGES.
 - ALL RADIUS TO BE 1.0
 - PARTWORK TO BE SUPPLIED FROM COMMODORE.
 - WARPS TO BE 0.2 MAX.

TOLERANCES	GT-3
0 < L < 4	0.10
4 < L < 16	0.20
16 < L < 63	0.30
63 < L < 250	0.50
250 < L < 1000	0.80

commodore
 BRACKET,
 CONNECTOR, A570
 SIZE B 364325
 SCALE 1/1 SHEET 1 OF 1

REVISIONS

LTR ZONE	DESCRIPTION	DATE	APPROVED
A	PILOT PRODUCTION RELEASE	10/22/72	SKK
B	PRODUCTION RELEASE	7/17/73	SKK



UNLESS OTHERWISE SPECIFIED TOLERANCES		MATERIAL:	DRAWN BY:	DATE
ON LINER DIMENSIONS	ON ANGULAR DIMENSIONS		T. Tohman	4/21/72
			CHKD: T. Tohman	4/21/72
			ENGR: T. Tohman	4/21/72
			APPR:	
		FINISH:	USED ON	NEXT ASSY
			A570	366932

commodore

FOOT, RUBBER

SIZE	REV
B 364402	B
SCALE 5/1	SHEET / CF /

© 1992 COMMODORE ELECTRONICS LTD.
 INFORMATION CONTAINED HEREIN IS THE UNPUBLISHED AND
 CONFIDENTIAL PROPERTY OF COMMODORE ELECTRONICS LTD.
 USE OF THIS INFORMATION FOR ANY OTHER PURPOSE
 WITHOUT THE PRIOR WRITTEN PERMISSION OF COMMODORE
 IS STRICTLY PROHIBITED. ALL RIGHTS RESERVED

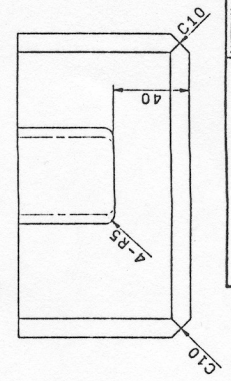
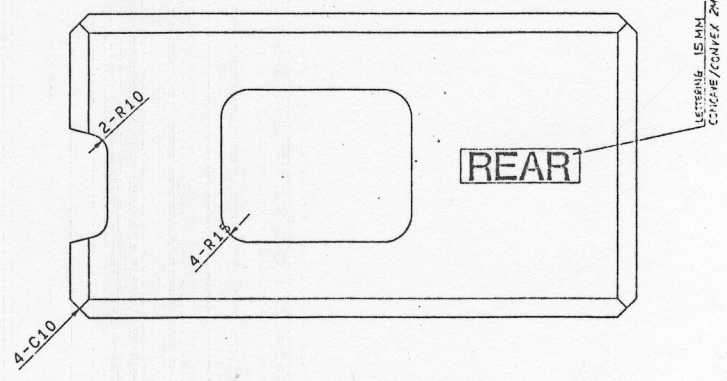
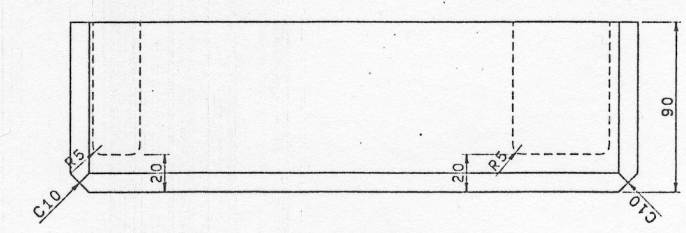
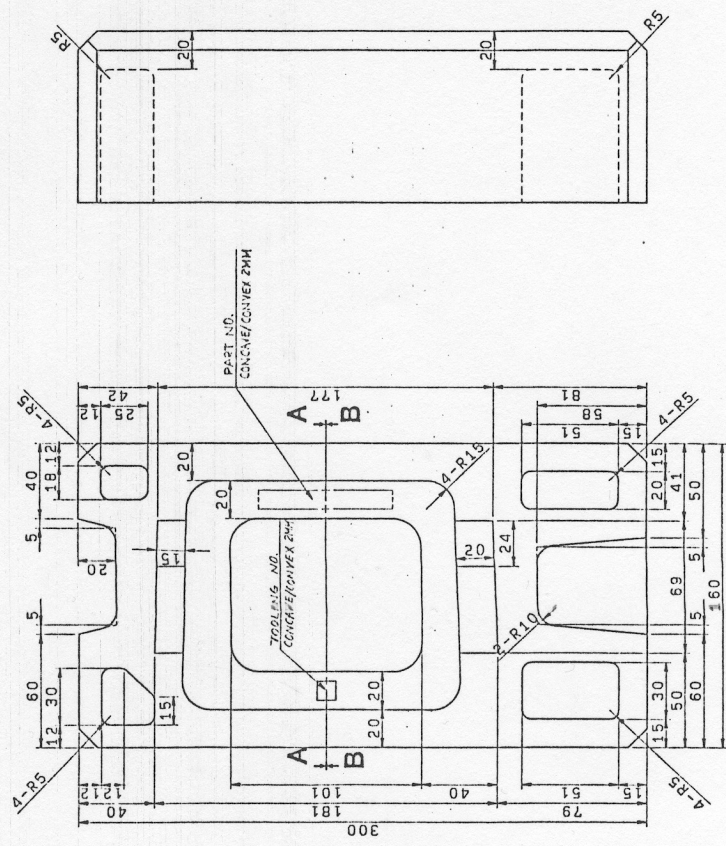
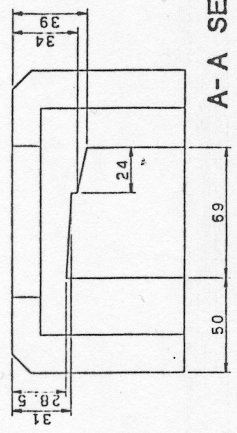
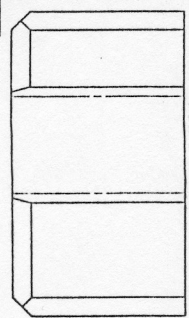
PART NUMBER	DESCRIPTION	REVISIONS		DATE	APPROVED
		ZN	LTR		
364424-01	PACKING ASSY, A570, NO OPTIONS, US	1	ADVANCED ENGINEERING RELEASE	12/30/91	D. Gilbreath
364424-02	PACKING ASSY, A570, NO OPTIONS, CN	A	PILOT PRODUCTION RELEASE	5/1/92	S. Kreckman
364424-03	PACKING ASSY, A570, NO OPTIONS, UK	B	REVISED PER ECO 920344	5/29/92	D. SHANNON
364424-04	PACKING ASSY, A570, NO OPTIONS, GR	C	REVISED PER ECO 920443	7/2/92	D. SHANNON
364424-05	PACKING ASSY, A570, NO OPTIONS, FR	D	PRODUCTION RELEASE	8.20.92	D. SHANNON
364424-06	PACKING ASSY, A570, NO OPTIONS, IT				
364424-07	PACKING ASSY, A570, NO OPTIONS, SP				
364424-08	PACKING ASSY, A570, NO OPTIONS, SG				
364424-09	PACKING ASSY, A570, NO OPTIONS, SF				
364424-10	PACKING ASSY, A570, NO OPTIONS, AU, USE -04				
364424-11	PACKING ASSY, A570, NO OPTIONS, NL, USE -07				
364424-12	PACKING ASSY, A570, NO OPTIONS, SD, USE -07				
364424-13	PACKING ASSY, A570, NO OPTIONS, FN, USE -07				
364424-14	PACKING ASSY, A570, NO OPTIONS, NE, USE -07				
364424-15	PACKING ASSY, A570, NO OPTIONS, DN, USE -07				
364424-16	PACKING ASSY, A570, NO OPTIONS, BF, USE -05				
364424-17	PACKING ASSY, A570, NO OPTIONS, BD, USE -07				
364424-18	PACKING ASSY, A570, NO OPTIONS, AL				
364424-19	PACKING ASSY, A570, NO OPTIONS, CEL, USE -01				
364424-20	PACKING ASSY, A570, NO OPTIONS, PG, USE -07				

1. SHEET OF SIZE
ASSY. DWG.
NOTES:

c 1992 COMMODORE ELECTRONICS, LTD.
INFORMATION CONTAINED HEREIN IS THE UNPUBLISHED AND
CONFIDENTIAL PROPERTY OF COMMODORE ELECTRONICS, LTD.
USE, REPRODUCTION OR DISCLOSURE OF THIS INFORMATION
WITHOUT THE PRIOR WRITTEN PERMISSION OF COMMODORE
IS STRICTLY PROHIBITED. ALL RIGHTS RESERVED

Commodore	TITLE: PACKING ASSY, A570, NO OPTIONS	Drawn by Kreckman	Drawing # 364424
			Sheet 1 of 3

REVISIONS		DATE	APPROVED
LTR ZONE	DESCRIPTION		
A	PILOT PRODUCTION RELEASE	8/20/88	STN
B	PRODUCTION RELEASE	8/20/88	STN



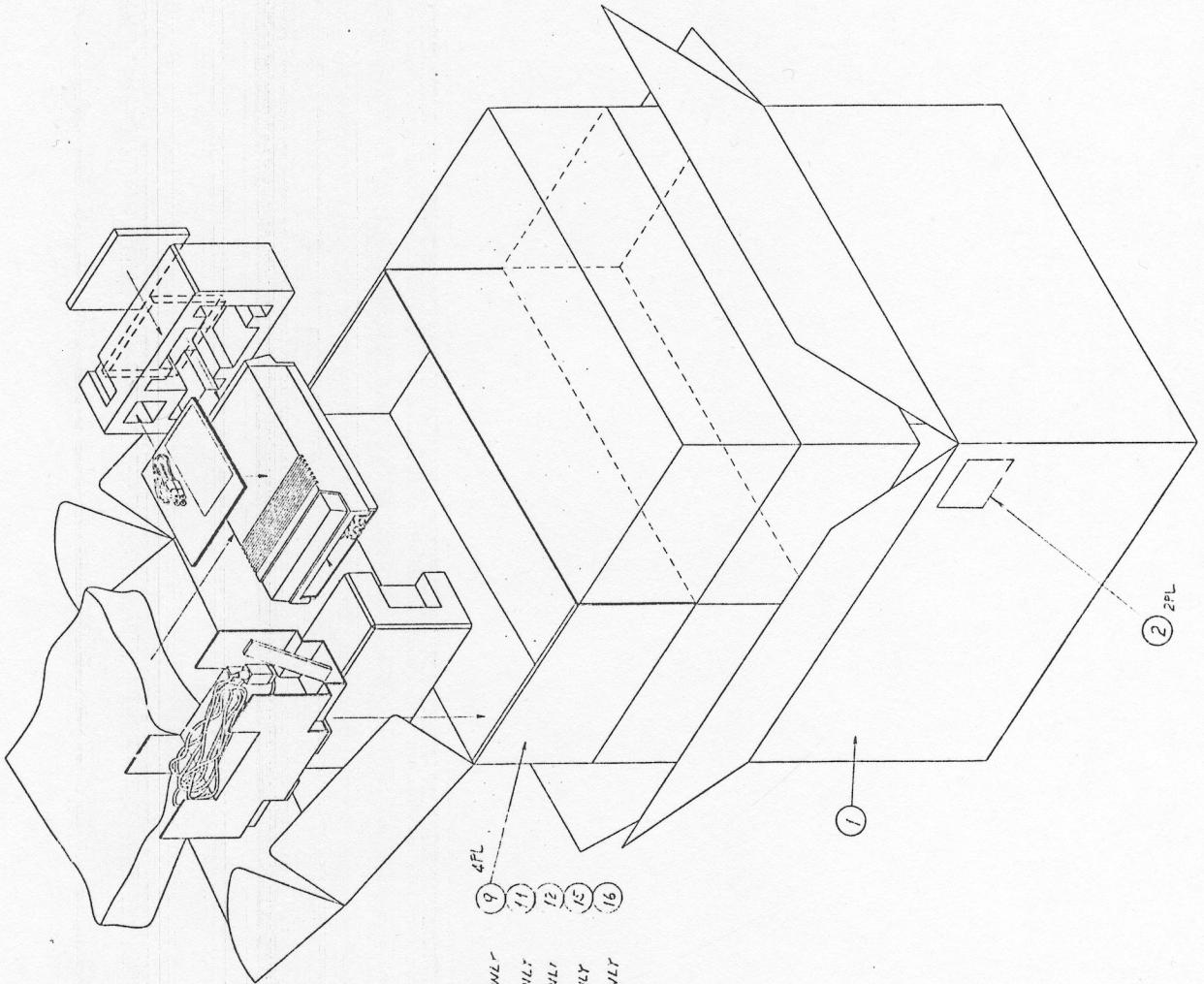
NOTES - UNLESS OTHERWISE SPECIFIED
 1. DRAFT ANGLE TO BE 1/50 MAX.
 2. ALL DIMS. TO BE S.

DRAWN BY: 7/2/88		DATE: 4/1/88	comodore FOAM PACKING, REAR
CHKD: 7/2/88		4/1/88	
ENGR: 7/2/88		4/1/88	
APPR: 7/2/88		4/1/88	
UNLESS OTHERWISE SPECIFIED TOLERANCES	ON LINEAR DIMENSIONS	ON ANGULAR DIMENSIONS	MATERIAL: FINISH:
USED ON	A570	NEXT ASST	354424
SIZE	C	REV	B
SCALE	1/2	SHEET	1 OF 1

© COMMODORE ELECTRONICS LTD.
 ALL RIGHTS RESERVED. NO PART OF THIS PUBLICATION IS TO BE REPRODUCED OR TRANSMITTED IN ANY FORM OR BY ANY MEANS, ELECTRONIC OR MECHANICAL, INCLUDING PHOTOCOPYING, RECORDING, OR BY ANY INFORMATION STORAGE AND RETRIEVAL SYSTEM. WITHOUT PERMISSION IN WRITING FROM COMMODORE ELECTRONICS LTD.

REVISIONS

LTR	ZONE	DESCRIPTION	DATE	APPROVED
		SEE SHEET 1	11/10/72	CSK



- 01 ONLY
- 13 ONLY
- 03 ONLY
- 07 ONLY
- 04 ONLY

UNLESS OTHERWISE SPECIFIED TOLERANCES		MATERIAL:	DRAWN BY: CHKD: 7/24/72 ENGR: 7/24/72 APPR:	DATE
ON LINER DIMENSIONS	ON ANGULAR DIMENSIONS			6/11/72
		FINISH:	USED ON	NEXT ASST
			A570	J64800
commodore		SHIPPING ASST. A570		
SIZE	C	538690	REV	B
SCALE	1/16" = 1"		SHEET	3 OF 3

APPLICATION		REVISION			
NEXT ASSY.	USED ON	LTR	DESCRIPTION	DATE	APPROVED
	A570	A	SPECIFICATION RELEASE	9-5-90	SSK

1.0 DESCRIPTION

This specification describes the requirements for a logic cell array (LCA) containing logic for address decoding, DTACK and clock generation, DRAM control, CD-ROM drive control, and CD+G subcode assembly. It contains direct Boolean and TTL gate translations of logic previously used in the A590 (DRAM Control) and the first CDTV (all other logic).

The design is compiled into a configuration file that is burned into a small serial PROM and loaded into the LCA on power-up. The LCA is static RAM cell based so it must read in the configuration each time it is powered up (the configuration is stored in volatile memory). For AC switching information refer to LCA XC2064-50PC68C (CBM P/N 391120-01) and for DC characteristics refer to PROM XC1736A (CBM P/N 391119-01).

Code for 391317-01 shall be kept on a floppy disk stored at West Chester Document Center. Checksum shall be 0526C1. Schematic files are CD690.1 and CD690.2. The PAL equations are in the .PDS files. Design can be recompiled to fit a XC2018-50PC68C LCA.

1.1 PACKAGING

This PROM shall be contained in a standard dual in-line 8 pin plastic package. Refer to PROM XC1736A (CBM P/N 391119-01) for detailed information.

1.2 SOURCES

Refer to Approved Vendor List.

2.0 MARKINGS

This part shall be marked as follows: A570 Rev 1.

SHAPE # Z00003 (N)

COMMODORE P. N.	STATUS				
391317-01	ACTIVE				

UNLESS OTHERWISE SPECIFIED DIMENSIONS ARE IN INCHES. TOLERANCES: ANGLES +/- 1 DEGREE 2 PLACE DECIMALS +/- 0.02 3 PLACE DECIMALS +/- 0.010	DRAWN joanne sugzdlinis	DATE	<h1>Commodore</h1> <p>1200 WILSON DRIVE WEST CHESTER, PA. 19380 (215) 431-9100</p>		
	SYSTEM ENG.	DATE			
	TEST ENG	DATE			
COPYRIGHT 1992 COMMODORE ELECTRONICS LTD INFORMATION CONTAINED HEREIN IS THE UNPUBLISHED AND CONFIDENTIAL PROPERTY OF COMMODORE ELECTRONICS LIMITED. USE, REPRODUCTION OR DISCLOSURE OF THIS INFORMATION WITHOUT THE PRIOR WRITTEN PERMISSION OF COMMODORE IS STRICTLY PROHIBITED. ALL RIGHTS RESERVED.	COMP. ENG Drew Shannon	DATE	TITLE: IC, PROGRAMMED PROM, A570, LCA		
	CIRCUIT ENG.	DATE			
			SIZE A	DRAWING NUMBER 391317	
			SCALE	SHEET 1 OF 6	

3.0 INPUT PINS and EQUATIONS

3.1 LARRY

TITLE LARRY;
 CHIP LARRY P22V10

; CD-ROM control, CD+G logic ,target device: GAL22V10

; Inputs
 ;1 2 3 4 5 6 7 8 9 10 11 12 13 14
 /CCK/IFRST / IOR / IOW /XDACK / CSX1 /CXSO EFFK /SCOR /STEN DRQ NC FFOUT A4

; Outputs
 ; 15 16 17 18 19 20 21 22 23(INPUT) 24
 /MWR/MRD /CDRST FFDAT SCCK /CSTP /INTD XDREQ CDGRDY NC

Equations

MWR = /A4 * CSX0 * IOW
 MRD = (A4 * CSX0 * IOR) + XDACK
 CDRST = IFRST + (IOR * IOW)
 FFDAT = EFFK * /SCOR
 SCCK = FFOUT * /CCK * /SCOR * CDGRDY
 CSTP = A4 * CSX0
 XDREQ = STEN + DRQ

<h1>Commodore</h1>		TITLE	
		IC, PROGRAMMED PROM, A570, LCA	
SIZE	DRAWING NUMBER	REV.	SCALE
A	391317	A	SHEET 2 OF 6

3.2 MOE

TITLE MOE
 CHIP MOE PAL22V10

;Address decoder, target device GAL22V10

```

;
; Inputs
; 1 2 3 4 5 6 7 8 9 10 11 12 13 14 15 16
  A14 A15 A16 A17 A18 A19 A20 A21 A22 A23 NC NC NC NC /CCKQ CDAC
  
```

```

;Outputs (INPUTS)
; 17 18 19 20 21 22 23 24
/DTACK NC /CSROM /CSNV C7MHZ /CCK /AS NC
  
```

```

/* FIELDS */
;FIELD ADDR = [A23..A14];
;EPROM = ADDR: [F00000..F3FFFF];
;NVRAM = ADDR: [DC8000..DCBFFF];
  
```

EQUATIONS

$$CSROM = A23 * A22 * A21 * A20 * /A19 * /A18 * AS$$

$$C7MHZ = / ((CCK * /CCKQ) + (/CCK * CCKQ))$$

$$DTACK = A23 * A22 * /A21 * A20 * A19 * A18 * /A17 * /A16 * A15 * /A14 * (CDAC + / (CCK * CCKQ))$$

$$CSNV = A23 * A22 * /A21 * A20 * A19 * A18 * /A17 * /A16 * A15 * /A14 * AS$$

Commodore

TITLE

IC, PROGRAMMED PROM, A570, LCA

SIZE	DRAWING NUMBER	REV.	SCALE	SHEET 3 OF 6
A	391317	A		

3.3 CURLY

TITLE CURLY
CHIP CURLY PAL16L8

```
;
; INPUT PINS
;   1   2   3   4   5   6   7   8   9   10  11
   /RAMSEL /UDS /LDS /AS /WRITE /C1 /C3 CDAC NC NC NC
```

```
;
; OUTPUT PINS
;   12   13   14   15   16   17   18   19   20
   /UWRITE /UOE /DTACK /CAS /RAS MUX /LOE /LWRITE NC
```

EQUATIONS

$DTACK = /DTACK * C3 * /CAS * C1 * /CDAC * RAMSEL$
 $+ DTACK * RAMSEL;$

$MUX = C3 * CDAC * DTACK$
 $+ MUX * /C1$
 $+ MUX * CDAC;$

$/RAS = /C3 * CDAC$
 $+ /C3 * C1;$

$/CAS = (/CAS * CDAC + /C1) * RAMSEL$
 $+ /C3 * /MUX$
 $+ /CAS * C1 * RAMSEL;$

$LWRITE = LDS * WRITE;$

$UWRITE = UDS * WRITE;$

$LOE = LDS * RAMSEL * /WRITE;$

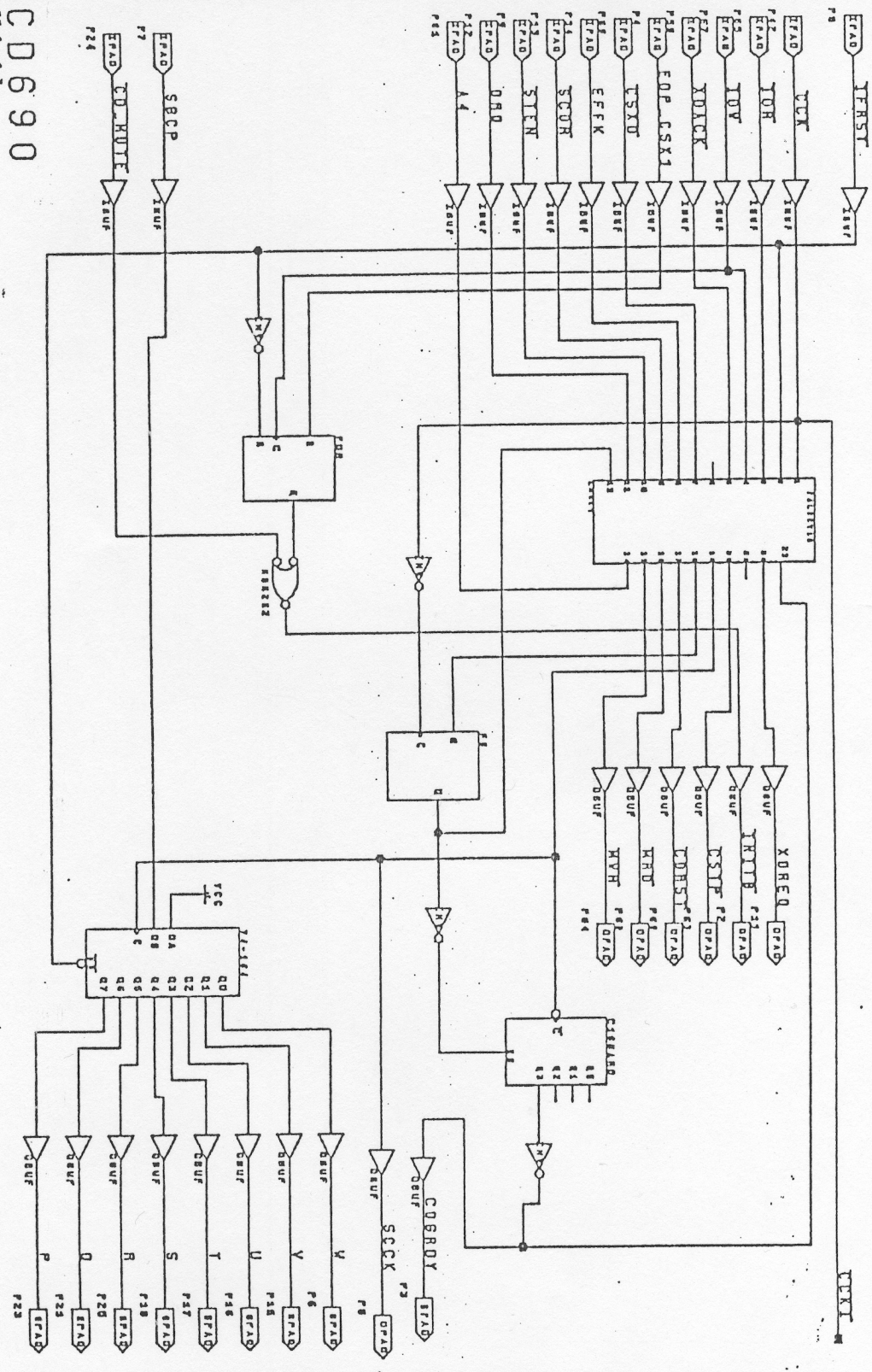
$UOE = UDS * RAMSEL * /WRITE;$

Commodore

TITLE

IC, PROGRAMMED PROM, A570, LCA

SIZE	DRAWING NUMBER	REV.	SCALE	SHEET 4 OF 6
A	391317	A		



CD690
 PG 5 OF 6
 TANGENT SERVICE - K22238-30FC68

FIGURE 1 - LOGIC DIAGRAM (1 of 2)

<h1 style="text-align: center;">Commodore</h1>		TITLE		
		IC, PROGRAMMED PROM, A570, LCA		
SIZE	DRAWING NUMBER	REV.	SCALE	SHEET 5 OF 6
A	391317	A		

CD690
 PG 2 OF 2
 TARGET DEVICE: XC2938-50PC88

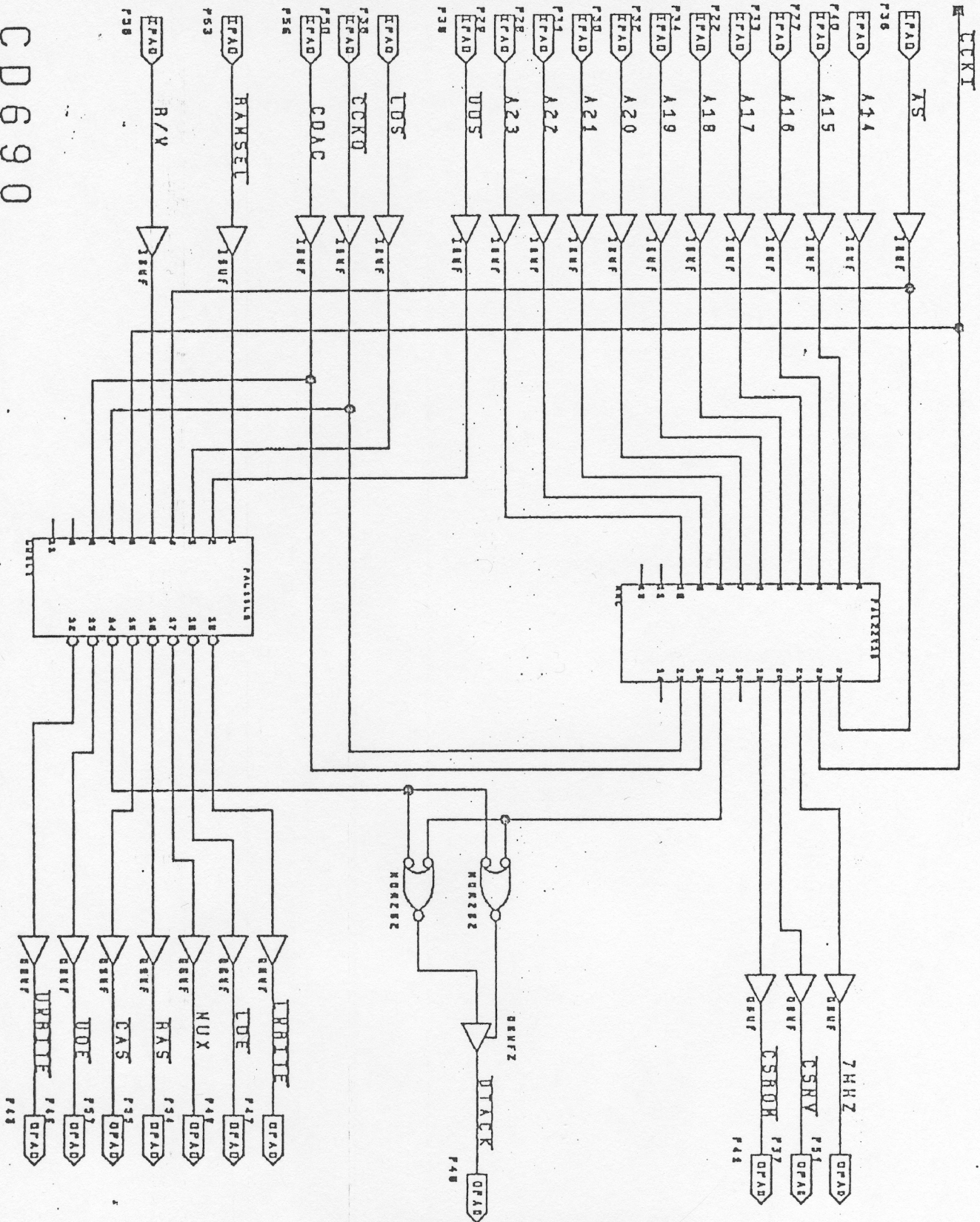


FIGURE 1 - LOGIC DIAGRAM (2 of 2)

<h1 style="text-align: center;">Commodore</h1>		TITLE	
		IC, PROGRAMMED PROM, A570, LCA	
SIZE	DRAWING NUMBER	REV.	SCALE
A	391317	A	SHEET 6 OF 6

APPROVED VENDOR LIST

This sheet must be removed from this document before the document is shown or transmitted to a vendor.

Commodore Part Number

391317-01

Vendor

XILINX

Vendor Part Number

.XL1736A-PD8C

Commodore

TITLE

IC, PROGRAMMED PROM, A570, LCA

SIZE

DRAWING NUMBER

REV.

SCALE

SHEET 1 OF 1

A

391317

A